

HONDA®



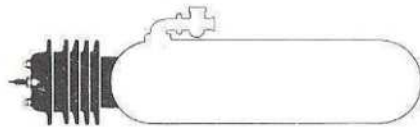
PX50

3^{de} ed.

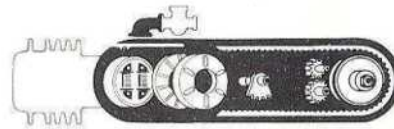
1982
PARTS LIST

C 1

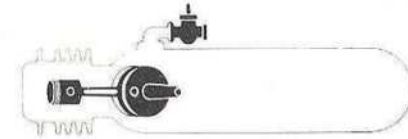
BLOCK INDEX - ENGINE GROUP



E- 1 Cylinder - Cylinder head C 2



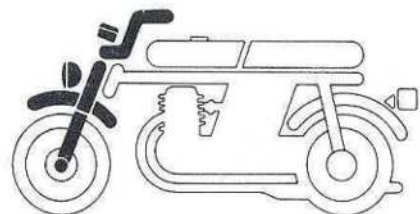
E- 2 Generator (PX50A, PX50MA, PX50C) C 3
 E- 2-1 Generator (PX50SA, PX50MSA, PX50Sc, PX50MSc) C 4
 E- 3 Starting motor C 5
 E- 4 Left side cover C 6
 E- 5 Drive face - Kick starter C 7 - C 8
 E- 6 Driven face C 9 - C10
 E- 7 Transmission C11 - C12
 E- 8 Crankcase - Oil pump C13 - C14 - C15



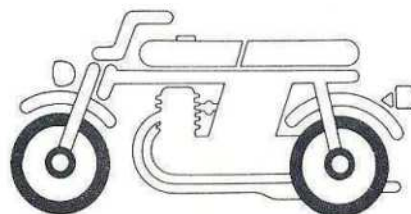
E- 9 Crankshaft - Piston C16 - C17
 E-10 Carburetor C18



BLOCK INDEX - FRAME GROUP



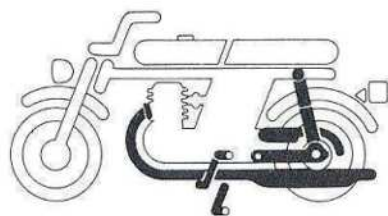
F- 1	Headlight 2B-2G, 2H, 2FI, 2AR, 2F	D 2
F- 1-1	Headlight 2E, 2N	D 2
F- 2	Speedometer - Combination switch	D 3 - D 4
F- 3	Handle lever - Switch - Cable	D 5 - D 6 - D 7
F- 4	Steering handle - Top bridge	D 8
F- 5	Front fender	D 9 - D10
F- 6	Front fork	D11



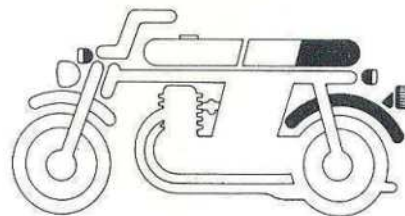
F- 7	Front wheel	D12 - D13
F- 8	Rear wheel	D14 - D15



F- 9	Fuel tank	D16 - D17
F-10	Seat	D18 - D19
F-11	Oil tank	D20
F-12	Air cleaner	D21 - D22



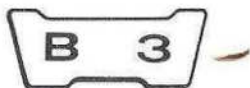
F-13	Exhaust muffer	D23
F-14	Stand - Kick starter arm	E 1 - E 2
F-15	Crank pedal - Crank arm	E 3 - E 4 - E 5
F-16	Rear cushion	E 6



F-17	Rear fender - Luggage carrier	E 7 - E 8 - E 9
F-18	Winker 2B, 2F, 2E, 2E, 2FI	E10 - E11 - E12
F-18-1	Winker 2AR	E13
F-19	Taillight	E14 - E15



F-20	Wire harness - Battery - Ignition coil ...	E16 - E17 - E18 - E19
F-21	Frame body	E20 - E21



3. Abbreviations

The following abbreviations are used in this parts catalogue.

ASSY.	Assembly	KPH	Kilometers per hour
COMP.	Complete	MPH	Miles per hour
R.	Right	L (100L)	Link (100Links)
L.	Left	A.C.	Alternating current
STD.	Standard	D.C.	Direct current
MM	Millimeter	IN.	Inlet
G	Gram	EX.	Exhaust
T (22T)	Tooth (22 Teeth)	FR.	Front
A	Ampere	RR.	Rear
V	Volt	HEX.	Hexagonal
W	Watt	A.M.	Attaching mark
		T.M.	Transcript mark

4. Dimensions

All dimensions are given in millimeters (mm) except in the case of steel balls, tires and tire tubes.

Parts	Example	Interpretation
Bolt (Screw)	6 x 12	6 mm diameter, 12 mm length
Pin	8 x 14	8 mm diameter, 14 mm length
O-Ring	9.5 x 1.6	9.5 mm diameter, 1.6 mm thickness
Oil seal	14 x 24 x 5	14 mm inside diameter, 24 mm outside diameter, 5 mm thickness
Tube	5 x 130	5 mm inside diameter, 130 mm length

5. Supersedence of parts

Part numbers given under the part name in the "Description" column indicate that the part number has been superseded by that part number. HONDA may make such supersedence without notice.

6. Assemblies

Sections framed with broken lines in the exploded view drawings are available as complete assemblies. (Their individual parts can also be obtained.)

7. Required quantity

The number given in the "REQD. NO." column indicates the quantity of parts used in the section described in that block.

Parts with quantities in () represent part of local purchase.

Part whose reference No. is preceded by "*" is part that can not be ordered from HONDA PARTS DIVISION. (JAPAN).

8. Part modifications-applicable serial numbers

In cases where a part has been modified, the serial number of the first vehicle (or frame, engine, carburetor) bearing the modification is listed in the "SERIAL NO." column.



9. Models, and applicable serial numbers

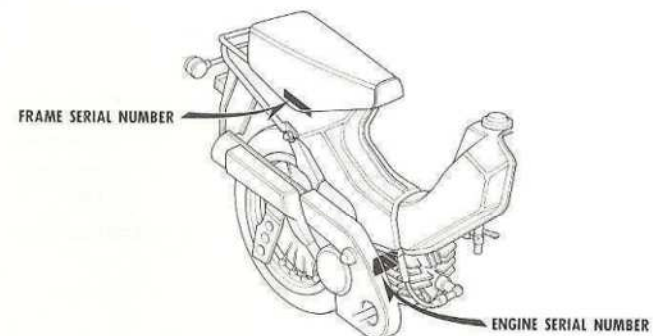
Models, and applicable serial Nos. given in this parts catalogue can be identified as follows.

Model	Area code	Type	Applicable engine serial No.	Applicable frame serial No.	Applicable carburetor identification No.
PX50A	2 B	Belgium	AB05E- D1000101 ~	AB05-K	PA18A <u>□</u> ~
	2 F	France	AB05E- G1000091 ~	AB05- K1000001 ~	PA17A <u>□</u> ~
	2 H	Netherlands	AB05E- E 1000136 ~	AB05-K	PA18A <u>□</u> ~
PX50MA	2 B	Belgium	AB06E- B1000116 ~	AB06-K	PA18A <u>□</u> ~
	2 G	Germany	AB06E- B1000116 ~	AB06-K	PA18A <u>□</u> ~
PX50SA	2 F	France	AB05E- F1000111 ~	AB05-S	PA17A <u>□</u> ~
PX50 MSA	2 G	Germany	AB06E- A1000126 ~	AB06-S	PA18A <u>□</u> ~
PX50C	2 N	Norway	AB05E- J 1000001 ~	AB05-K	PA17A <u>□</u> ~
	2 FI	Finland	AB05E- E 1000136 ~	AB05-K	PA18A <u>□</u> ~
	2 E	England	AB05E- H 1000001 ~	AB05-K	PA17A <u>□</u> ~
PX50Sc	2 B	Belgium	AB05E- K1000001 ~	AB05-S	PA18A <u>□</u> ~
	2 AR	Austria	AB06E- F 1000111 ~	AB05-S	PA17A <u>□</u> ~
PX50MSc	2 B	Belgium	AB06E- A 1000126 ~	AB05-S	PA18A <u>□</u> ~

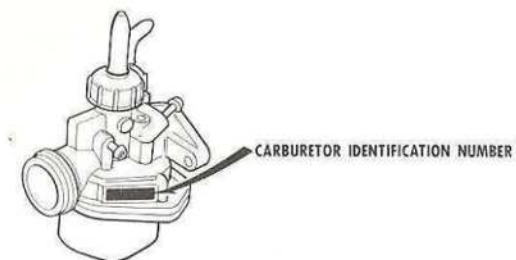
* Of carburetor identification numbers, only the portions underlined in the example below are used for registration.

PA18A □ KC

10. Location of stamped serial number



B197-0A



B197-0B

30 JUNE 1981

HONDA BENELUX N.V.



III. How to use the flat rate time (F.R.T)

This F.R.T. (Flat Rate Time) is used to determine the standard labor time allowed for replacement of parts covered by the warranty during the period the warranty is in effect. The F.R.T. for those parts which are not listed herein should be determined from the operation closely related to the replacement of that part.

1. The F.R.T. is based on the following servicing conditions

- a. A liberal allowance is added to the net servicing time.
- b. Standard times specified are based on the condition that the necessary servicing tools listed in the service manual (motorcycle) which describes the HONDA service policy are available close at hand and the work performed by a mechanic with normal skill.
- c. Time required for inspection and operational test following the servicing is included in the F.R.T.

2. Method of computing

The job times are listed in tenth of an hour to simplify computation.

- (Example) 0.3 = 18 minutes
5.6 = 5 hours and 36 minutes

CONVERSION CHART			
Hours	Minutes	Hours	Minutes
0.1	6	0.6	36
0.2	12	0.7	42
0.3	18	0.8	48
0.4	24	0.9	54
0.5	30	1.0	60

3. Computing the F.R.T.

When several jobs are performed at the same time, make the calculation in the following manner.

a. Jobs of non duplicated nature

The F.R.T. for the job is obtained by totalling the F.R.T. for each part replaced. (Example) Replacement of cylinder and stator comp.

Service item	F.R.T.
Cylinder	0.6
Stator comp.	0.4

The F.R.T. for the job is : $0.6 + 0.4 = 1.0$

b. Jobs of duplicated nature

Take the F.R.T. for the last part to be replaced.

(Example) Replacement of cylinder head gasket and piston.

Service item	F.R.T.
Cylinder head gasket	0.2
Piston	0.6

The F.R.T. for the job is : 0.6

c. Jobs of partially related nature

Total up the F.R.T. for all of the parts replaced and then subtract the F.R.T. for the duplicated operation.

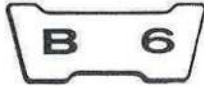
(Example) Replacement of crankshaft and transmission cover assembly.

Service item	F.R.T.
Crankshaft comp	* 2.3
Transmission cover	0.6
Drive belt	0.2

The F.R.T. for the job is : $(2.3 + 0.6) - 0.2 = 2.7$

Drive belt disassembly is the duplicated operations.

- The F.R.T. shown with (*) includes engine removal and installation.



4. Operations other than replacing parts

a. Removed and installation (): With oil pump type

No.	Service item	F.R.T.
1	Engine	0.6
2	Cylinder head	0.2
3	Carburetor	0.3 (0.4)

b. Adjustment, measurement and cleaning

Engine (): With oil pump type

No.	Service item	F.R.T.
1	Mission oil-inspection (excluding oil change)	0.1
2	Cleaner element-cleaning	0.1
3	Compression-pressure measurement	0.1
4	Spark plug-adjustment and cleaning	0.1
5	Ignition timing-inspection	0.2
6	Throttle operation-adjustment	0.1
7	Carburetor idle-adjustment	0.1
8	Carburetor-float level measurement	0.4 (0.6)
9	Oil stainer-cleaning	0.4
10	Oil pump air bleed	0.1

Frame

No.	Service item	F.R.T.
1	Front brake-adjustment	0.2
2	Rear brake-adjustment	0.1
3	Brake-operation test	0.1
4	Headlight-aimings	0.1
5	Drive pedal chain	0.1

c. Overhaul

(): With oil pump type

No.	Service item	F.R.T.
1	Carburetor	0.5 (0.6)

B 7



PX50(A)-2B



PX50(MSA)-2G

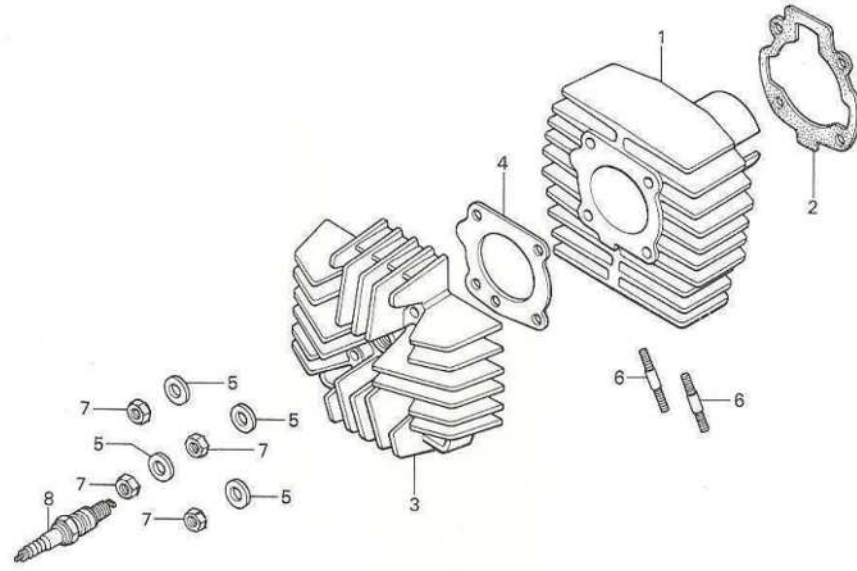


PX50(SA)-2F



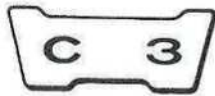
E-1

Cylinder • Cylinder head



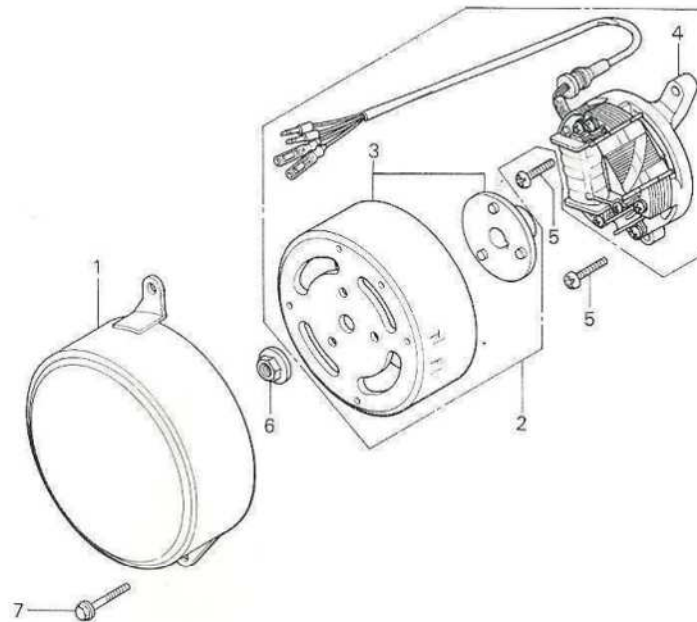
←FWD

Service item	F.R.T.	Ref. No.	Part No.	Description	Reqd. N°							Area code
					A	MA	SA	PX50 MSA	C	Sc	MSC	
CYLINDER	0.6	1	12100-197-000	CYLINDER	1		1		1	1		2F, 2N, 2E, 2AR
GASKET CYLINDER	0.4		12100-197-610	CYLINDER		1		1			1	
HEAD, CYLINDER	0.2		12100-197-640	CYLINDER	1					1		2B
• GASKET, CYLINDERHEAD			12100-197-650	CYLINDER	1				1			2H, 2FI
• BOLT, STUD, 6 x 28 (ADD 0.1 FOR EACH)		2	12191-147-700	GASKET, CYLINDER	1	1	1	1	1	1	1	
		3	12200-197-000	HEAD, CYLINDER	1	1	1	1	1	1	1	
		4	12251-148-000	GASKET, CYLINDERHEAD	1	1	1	1	1	1	1	
		5	90442-035-000	WASHER, SEALING, 6 MM	4	4	4	4	4	4	4	
		6	92700-06028-0B	BOLT, STUD, 6 x 28	2	2	2	2	2	2	2	
		7	94001-06000-0S	NUT, HEX, 6 MM	4	4	4	4	4	4	4	
		8	98076-54747-00	PLUG SPARK (BPR-4HS)	1	1	1	1	1	1	1	
			98076-54756-00	OPTIONAL PART PLUG, SPARK (W14FPR-L) OPTIONAL PART	1	1	1	1	1	1	1	
			98076-55747-00	PLUG, SPARK (BPR5HS)	1	1	1	1	1	1	1	
			98076-55756-00	PLUG, SPARK (W16FPR-L)	1	1	1	1	1	1	1	
			98076-56747-00	PLUG, SPARK (BPR6HS-NGK) OPTIONAL PART	1	1	1	1	1	1	1	
			98076-56756-00	PLUG, SPARK (W20FPR ND) OPTIONAL PART	1	1	1	1	1	1	1	



E-2

Generator (PX50A, PX50MA)
(PX50c)



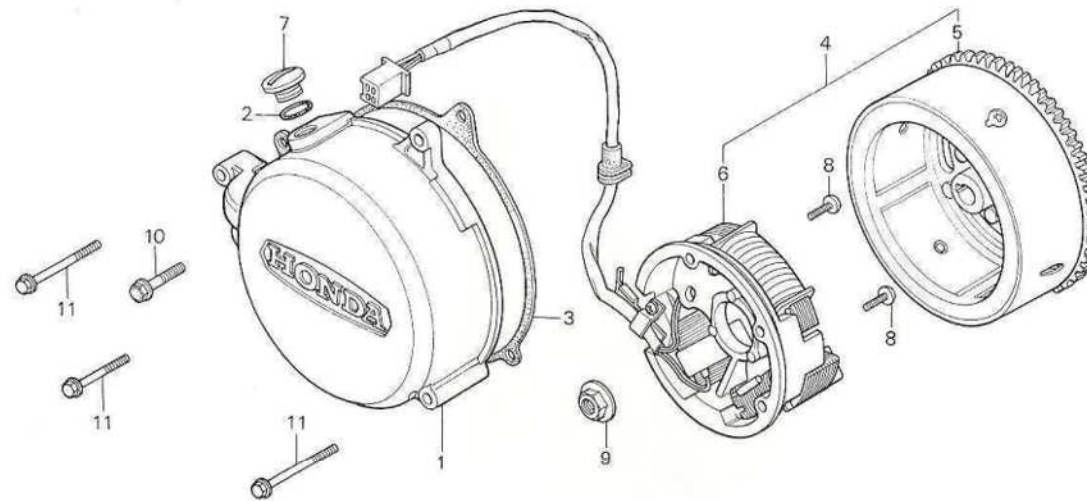
B197-2

Service item	F.R.T.	Ref. No.	Part No.	Description	Reqd. N°							Area code
					A	MA	SA	MSA	C	Sc	MSC	
COVER, DYNAMO	0.1	1	11431-197-000	COVER, DYNAMO	1	1				1		
GENERATOR ASSY., FLYWHEEL TYPE A.C.	0.5	2	31100-197-611	GENERATOR ASSY., FLYWHEEL TYPE A.C.	1	1				1		2B, 2G, 2H, 2FI
FLYWHEEL COMP. STATOR COMP.	0.4		31100-197-621	GENERATOR ASSY., FLYWHEEL TYPE A.C.	1					1		2F, 2E
	0.3		31100-197L-750	GENERATOR ASSY., FLYWHEEL TYPE A.C.						1		2N
		3	31110-197-611	FLYWHEEL COMP.	1	1				1		2B, 2G, 2H, 2FI
			31110-197-621	FLYWHEEL COMP.	1					1		2F, 2E
			31110-197L-750	FLYWHEEL COMP.						1		2N
		4	31120-197-611	STATOR COMP.	1	1				1		2B, 2G, 2H, 2FI
			31120-197-621	STATOR COMP.	1					1		2F, 2E
			31120-197L-750	STATOR COMP.						1		2N
		5	93500-06010-0A	SCREW, PAN, 6 x 10	2	2				2		
		6	94050-10000	NUT, FLANGE, 10 MM	1	1				1		
		7	96000-06020-00	BOLT, FLANGE, 6 x 20	2	2				2		



E-2-1

Generator (PX50SA, PX50MSA)
(PX50Sc, PX50MSc)



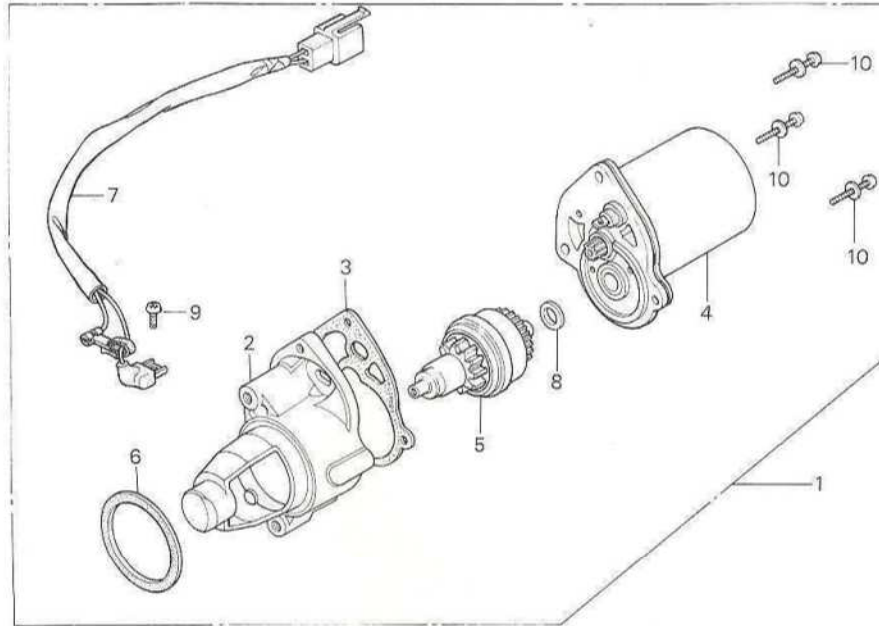
B197-3

Service item	F.R.T.	Ref. No.	Part No.	Description	Reqd. N°				Area code			
					A	MA	SA	MSA		C	Sc	MSc
COVER, DYNAMO	0.2	1	11431-197-710	COVER, DYNAMO			1	1		1	1	
GENERATOR ASSY., FLY WHEEL TYPE A.C.	0.5	2	11432-197-710	GENERATOR CAP			1	1		1	1	
		3	11435-197-710	GASKET, DYNAMO COVER			1	1		1	1	
FLY WHEEL COMP. STATOR COMP.	0.4	4	31100-197-711	GENERATOR ASSY., FLYWHEEL TYPE A.C.			1	1		1	1	
		5	31110-197-711	FLYWHEEL COMP.			1	1		1	1	
		6	31120-197-711	STATOR COMP.			1	1		1	1	
		7	90084-187-700	CAP, A.C. GENERATOR			1	1		1	1	
		8	93500-06016	SCREW, PAN, 6 x 16			2	2		2	2	
		9	94050-10000	NUT, FLANGE 10 MM			1	1		1	1	
		10	96000-06028-00	BOLT, FLANGE, 6 x 28			1	1		1	1	
		11	96000-06050-00	BOLT, FLANGE, 6 x 50			3	3		3	3	

C 5

E-3

Starting motor



FWDD

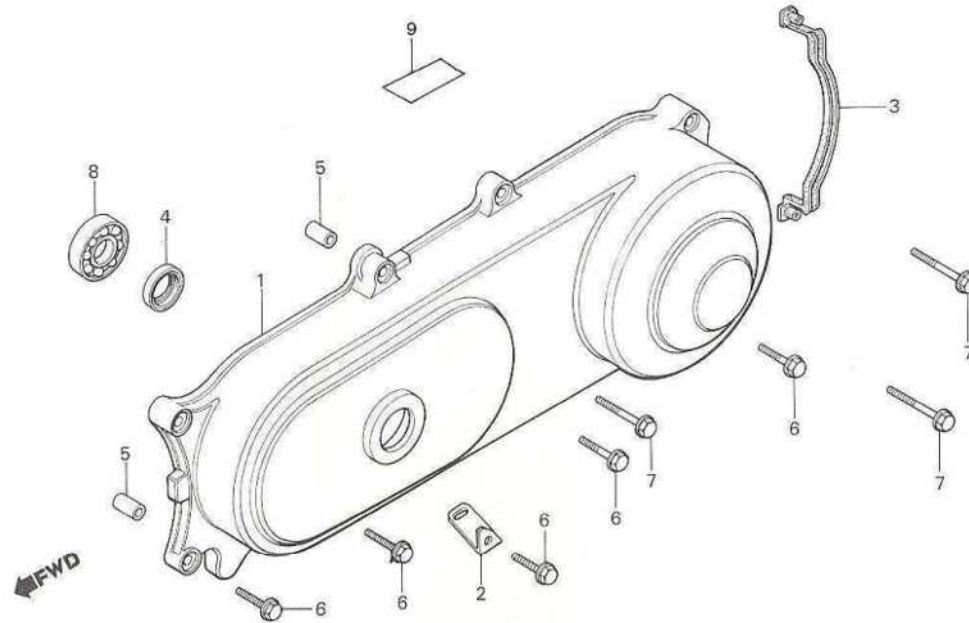
B197-4

Service item	F.R.T.	Ref. No.	Part No.	Description	Reqd. N°						Area code	
					A	MA	SA	PX50 MSA	C	Sc		MSC
MOTOR ASSY., STARTING	0.4	1	31200-187-704	MOTOR ASSY., STARTING			1	1		1	1	
• SUB HARNESS A		2	31203-187-703	COVER COMP., GEAR			1	1		1	1	
COVER COMP. GEAR	0.6	3	31206-187-703	GASKET B			1	1		1	1	
• MOTOR COMP.		4	31208-187-702	MOTOR COMP.			1	1		1	1	
• PINION ASSY		5	31209-187-701	PINION ASSY			1	1		1	1	
		6	31212-187-702	RUBBER, SEALING			1	1		1	1	
		7	32101-187-701	SUB HARNESS A			1	1		1	1	
		8	90502-187-701	WASHER, PINION			1	1		1	1	
		9	93500-04006-0A	SCREW, PAN, 4 x 6			1	1		1	1	
		10	93892-04014-08	SCREW-WASHER, 4 x 14			3	3		3	3	



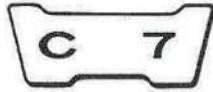
E-4

Left side cover



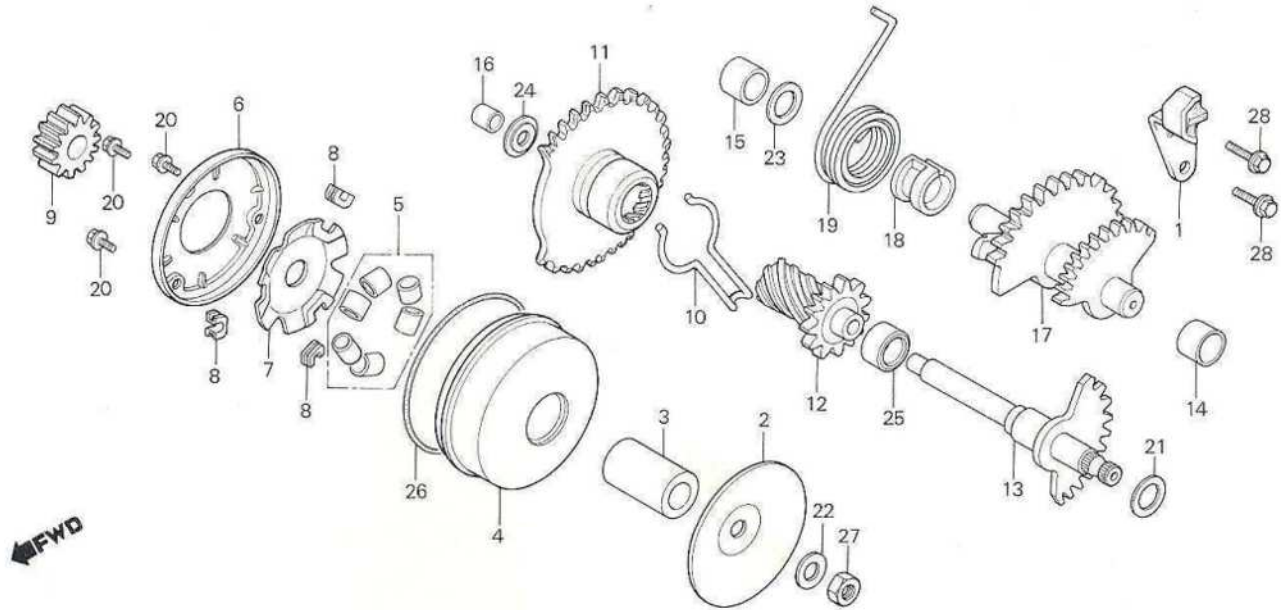
B197-5

Service item	F.R.T.	Ref. No.	Part No.	Description	Reqd. N°							Area code
					A	MA	SA	PX50 MSA	C	Sc	MSc	
COVER, L. SIDE	0.2	1	11341-197-000	COVER, L. SIDE	1	1	1	1	1	1	1	
• DUST SEAL, 15 MM		2	11346-197-000	CLAMPER, STUBE	1	1	1	1	1	1	1	
• BEARING, RADIAL BALL, 6002Z		3	11352-187-000	RUBBER, L. COVER SEAL	1	1	1	1	1	1	1	
		4	91221-197-003	DUST SEAL, 15 MM	1	1	1	1	1	1	1	
		5	94301-10140	PIN A, DOWEL, 10 x 14	2	2	2	2	2	2	2	
		6	96000-06028-00	BOLT, FLANGE, 6 x 28	5	5	5	5	5	5	5	
		7	96000-06040-00	BOLT, FLANGE, 6 x 40	3	3	3	3	3	3	3	
		8	96120-60023-10	BEARING, RADIAL BALL, 6002Z	1	1	1	1	1	1	1	
		9	87505-197-610	MARK, TIRE CAUTION	1	1		1	1	1	1	2B, 2G, 2AR, 2E, 2N
			87505-197-620	MARK, TIRE CAUTION	1		1					2F
			87505-197-650	MARK, TIRE CAUTION	1				1			2H, 2FI



E-5

Drive face - Kick starter



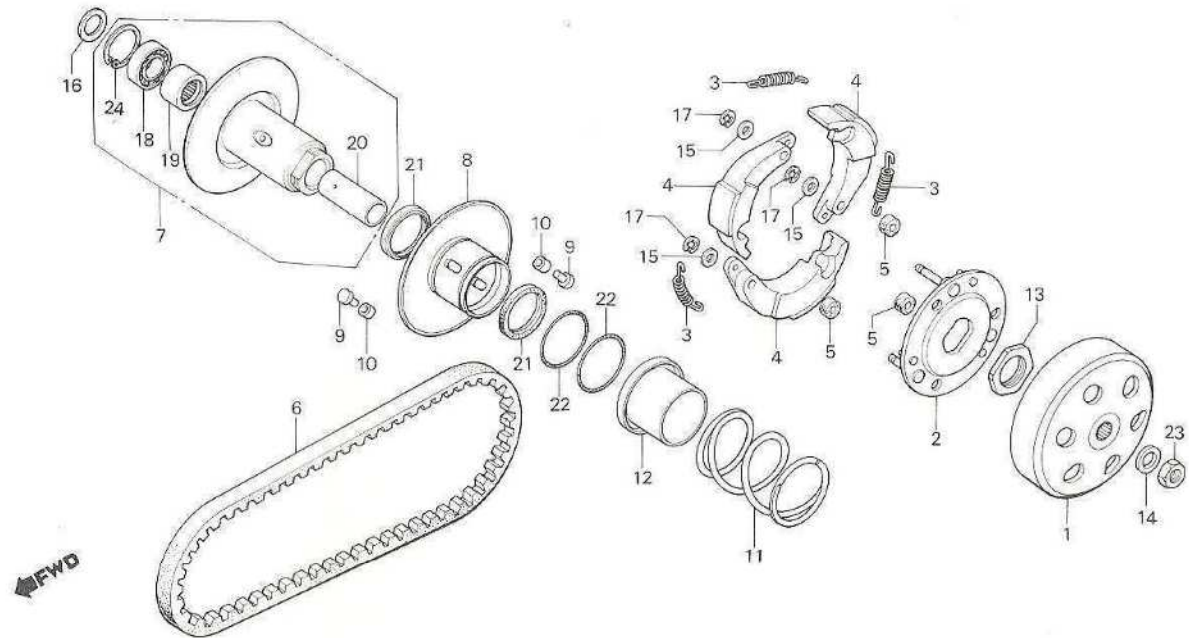
B197-6

Service item	F.R.T.	Ref. No.	Part No.	Description	Reqd. N°							Area code
					A	MA	SA	FX50 MSA	c	Sc	MSC	
STOPPER KICK RETURN	0.2	1	11205-187-013	STOPPER, KICK RETURN	1	1	1	1	1	1	1	
FACE DRIVE	0.3	2	22102-187-000	FACE, DRIVE	1	1	1		1	1		2B, 2F, 2H 2FI, 2N, 2E, 2AR 2G
• GEAR STARTER IDLE			22102-197-610	FACE, DRIVE			1	1			1	
• SPRINDLE COMP., KICK STARTER		3	22105-187-000	BOSS, DRIVE FACE	1		1		1	1		
FACE COMP., MOVABLE DRIVE	0.5		22105-197-610	BOSS, DRIVE FACE			1	1			1	
• ROLLER COMP. WEIGHT		4	22110-187-000	FACE, COMP. MOVABLE DRIVE	1		1		1	1		2B, 2F, 2H, 2FI, 2N, 2E, 2AR
INC. RELATIVE PART			22110-197-610	FACE, COMP. MOVABLE DRIVE			1	1			1	2B, 2G
GEAR, KICK STARTER DRIVEN	0.4	5	22121-187-000	ROLLER COMP., WEIGHT	1		1		1	1		
			22121-197-610	ROLLER COMP., WEIGHT			1	1			1	
		6	22126-GA7-700	SEAL, MOVABLE FACE	1	1	1	1	1	1	1	
		7	22131-187-000	PLATE, RAMP	1		1		1	1		
			22131-197-610	PLATE, RAMP			1	1			1	
		8	22132-187-000	PIECE, SLIDE	3	3	3	3	3	3	3	
		9	28221-187-000	GEAR, KICK STARTER DRIVEN	1	1	1	1	1	1	1	
		10	28223-187-000	SPRING STARTER GEAR FRICTION	1	1	1	1	1	1	1	
		11	28230-197-000	GEAR, STARTER IDLE	1	1	1	1	1	1	1	
		12	28240-197-000	THREAD COMP., KICK STARTER	1	1	1	1	1	1	1	
		13	28250-197-000	SPINDLE COMP., KICK STARTER	1	1	1	1	1	1	1	
		14	28254-187-003	BUSH B. KICK SPINDLE	1	1	1	1	1	1	1	
		15	28254-197-003	BUSH, IDLE SHAFT	1	1	1	1	1	1	1	



E-6

Driven face



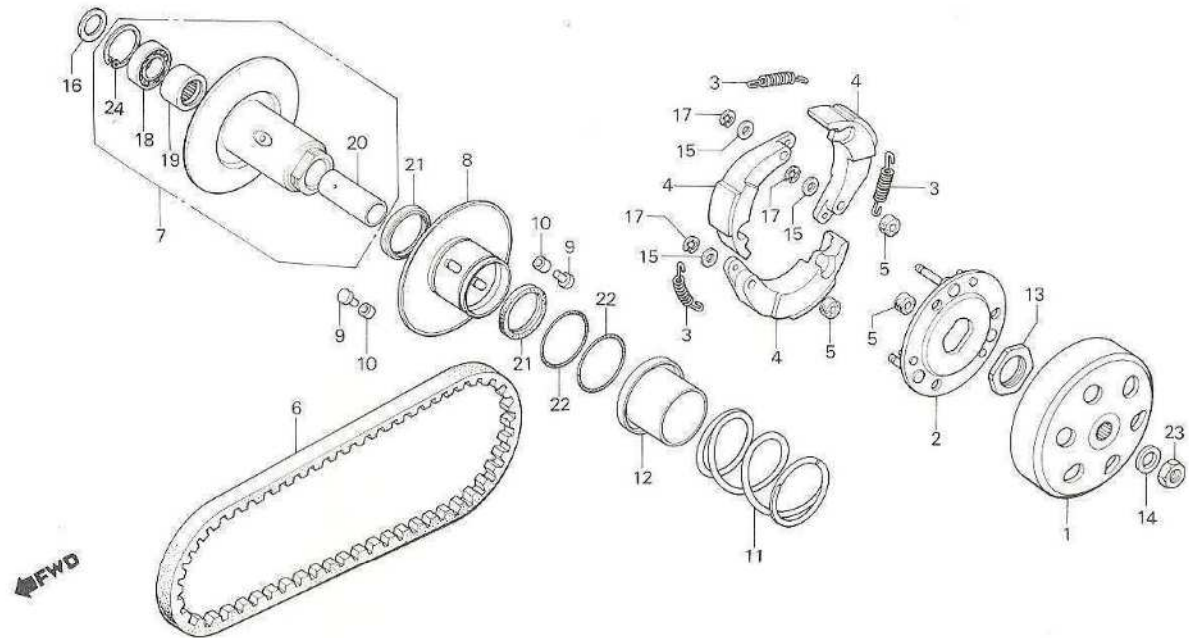
B187-7

Service item	F.R.T.	Ref. No.	Part No.	Description	Reqd. N ^o PX50							Area code
					A	MA	SA	MSA	c	Sc	MSC	
OUTER COMP., CLUTCH	0.3	1	22100-GA7-700	OUTER COMP., CLUTCH	1	1	1	1	1	1	1	
PLATE COMP., DRIVE	0.6	2	22350-187-000	PLATE COMP., DRIVE	1	1	1	1	1	1	1	
• WEIGHT SET, CLUTCH		3	22401-187-010	SPRING, CLUTCH	3			3		3		2F, 2N, 2E, 2AR
INC. RELATIVE PART			22401-197-610	SPRING, CLUTCH	3	3	3	3	3	3	3	2B, 2G, 2H, 2FI
• FACE ASSY, DRIVEN		4	22535-187-305	WEIGHT SET, CLUTCH	3	3	3	3	3	3	3	
• FACE COMP., MOVABLE DRIVEN		5	22804-148-000	RUBBER, CLUTCH DAMPER	3	3	3	3	3	3	3	
BELT DRIVE	0.2											
SPRING, DRIVEN FACE	0.4	6	23100-197-003	BELT, DRIVE (MITUBOSHI)	1	1	1	1	1	1	1	
• BEARING, RADIAL BALL, 6001U		7	23200-187-000	FACE ASSY, DRIVEN	1	1	1		1	1		2B, 2F, 2H, 2FI, 2E
												2N, 2AR
BEARING NEEDLE, 16 x 24 x 17	0.5		23200-197-610	FACE ASSY, DRIVEN		1		1			1	2B, 2G
		8	23220-187-003	FACE COMP., MOVABLE DRIVEN	1	1	1	1	1	1	1	
		9	23225-187-003	PIN, ROLLER GUIDE	2	2	2	2	2	2	2	
		10	23226-187-003	ROLLER, GUIDE	2	2	2	2	2	2	2	
		11	23233-GA7-700	SPRING, DRIVEN FACE	1	1	1	1	1	1	1	
		12	23237-GA7-700	COLLAR, SEAL	1	1	1	1	1	1	1	
		13	90202-GA7-700	NUT, SPECIAL, 28 MM	1	1	1	1	1	1	1	
		14	90426-001-000	WASHER, MAGNETOFIXING	1	1	1	1	1	1	1	
		15	90442-044-000	WASHER, THRUST, 6 MM	3	3	3	3	3	3	3	



E-6

Driven face



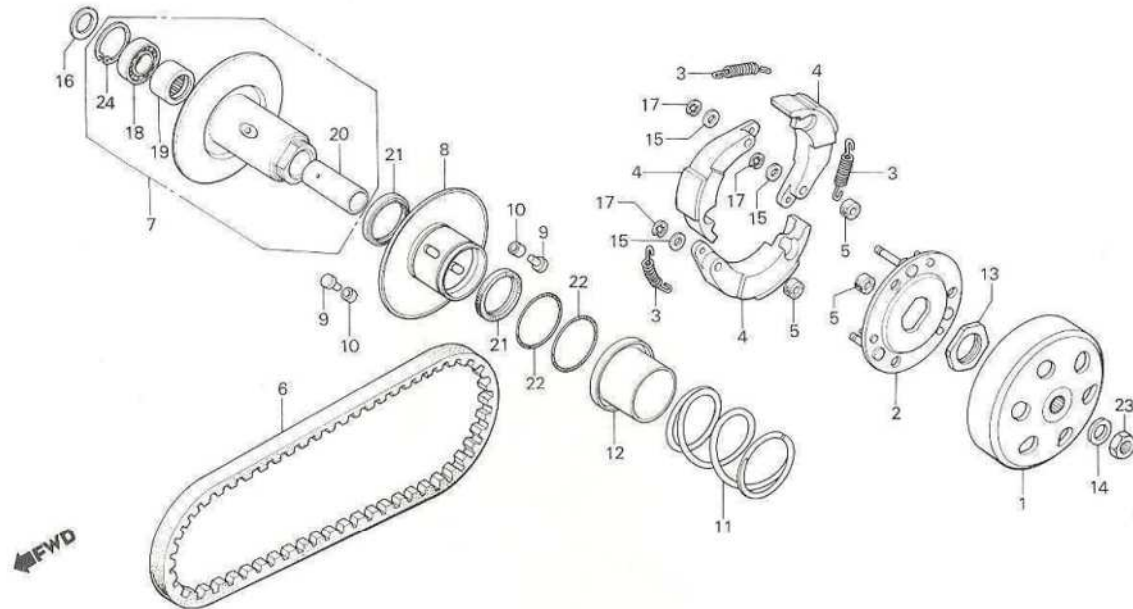
B187-7

Service item	F.R.T.	Ref. No.	Part No.	Description	Reqd. N ^o PX50							Area code
					A	MA	SA	MSA	c	Sc	MSC	
OUTER COMP., CLUTCH	0.3	1	22100-GA7-700	OUTER COMP., CLUTCH	1	1	1	1	1	1	1	
PLATE COMP., DRIVE	0.6	2	22350-187-000	PLATE COMP., DRIVE	1	1	1	1	1	1	1	
• WEIGHT SET, CLUTCH		3	22401-187-010	SPRING, CLUTCH	3			3		3		2F, 2N, 2E, 2AR
INC. RELATIVE PART			22401-197-610	SPRING, CLUTCH	3	3	3	3	3	3	3	2B, 2G, 2H, 2FI
• FACE ASSY, DRIVEN		4	22535-187-305	WEIGHT SET, CLUTCH	3	3	3	3	3	3	3	
• FACE COMP., MOVABLE DRIVEN		5	22804-148-000	RUBBER, CLUTCH DAMPER	3	3	3	3	3	3	3	
BELT DRIVE	0.2											
SPRING, DRIVEN FACE	0.4	6	23100-197-003	BELT, DRIVE (MITUBOSHI)	1	1	1	1	1	1	1	
• BEARING, RADIAL BALL, 6001U		7	23200-187-000	FACE ASSY, DRIVEN	1	1	1		1	1		2B, 2F, 2H, 2FI, 2E 2N, 2AR
BEARING NEEDLE, 16 x 24 x 17	0.5		23200-197-610	FACE ASSY, DRIVEN		1		1			1	2B, 2G
		8	23220-187-003	FACE COMP., MOVABLE DRIVEN	1	1	1	1	1	1	1	
		9	23225-187-003	PIN, ROLLER GUIDE	2	2	2	2	2	2	2	
		10	23226-187-003	ROLLER, GUIDE	2	2	2	2	2	2	2	
		11	23233-GA7-700	SPRING, DRIVEN FACE	1	1	1	1	1	1	1	
		12	23237-GA7-700	COLLAR, SEAL	1	1	1	1	1	1	1	
		13	90202-GA7-700	NUT, SPECIAL, 28 MM	1	1	1	1	1	1	1	
		14	90426-001-000	WASHER, MAGNETOFIXING	1	1	1	1	1	1	1	
		15	90442-044-000	WASHER, THRUST, 6 MM	3	3	3	3	3	3	3	

C 10

E-6

Driven face



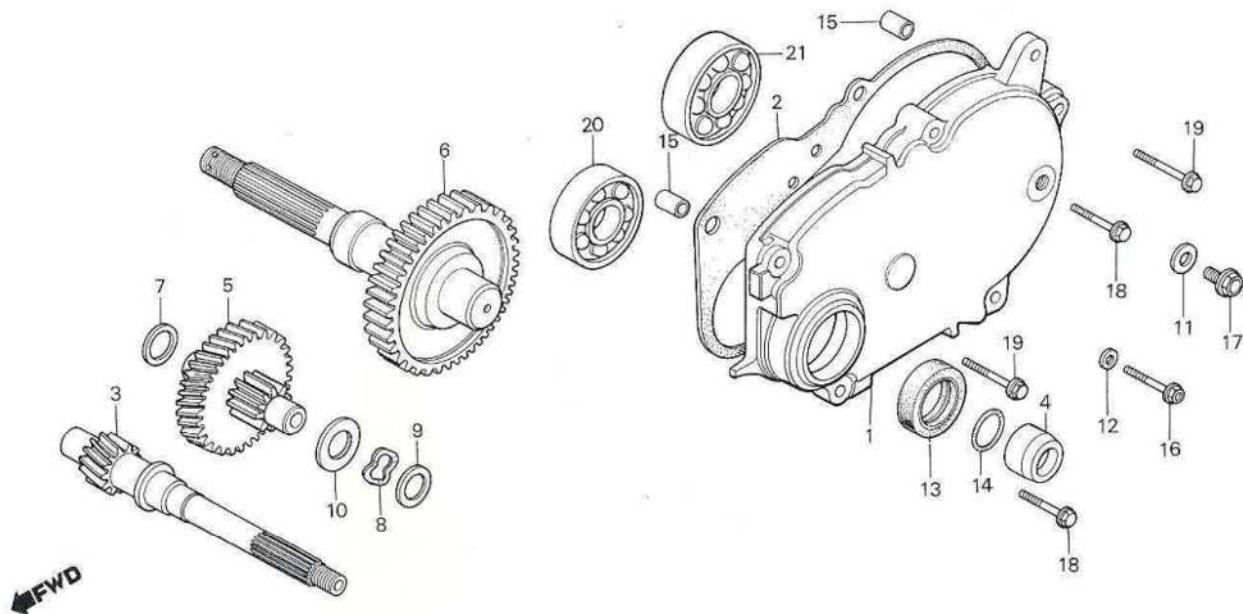
B187-7

Service item	F.R.T.	Ref. No.	Part No.	Description	Reqd. N°							Area code
					A	MA	SA	PX50 MSA	c	Sc	MSc	
		16	90451-155-000	WASHER, 14 MM	1	1	1	1	1	1	1	
		17	90603-044-000	CIR CLIP, 6 MM	3	3	3	3	3	3	3	
		18	91002-148-003	BEARING, RADIAL BALL, 6001U (NACHI)	1	1	1	1	1	1	1	
			91002-148-004	BEARING, RADIAL BALL, 6001U (TOYO)	1	1	1	1	1	1	1	
		19	91023-187-008	BEARING, NEEDLE, 16 x 24 x 17	1	1	1	1	1	1	1	
		20	91024-187-000	RACE, INNER	1	1	1	1	1	1	1	
		21	91211-187-003	SEAL, DRIVEN FACE	2	2	2	2	2	2	2	
		22	91351-642-000	O-RING, PINION CAP	2	2	2	2	2	2	2	
		23	94031-10000	NUT, HEX, 10 MM	1	1	1	1	1	1	1	
		24	94520-28000	CIRCLIP, INTERNAL, 28	1	1	1	1	1	1	1	

C 11

E-7

Transmission



B197-7

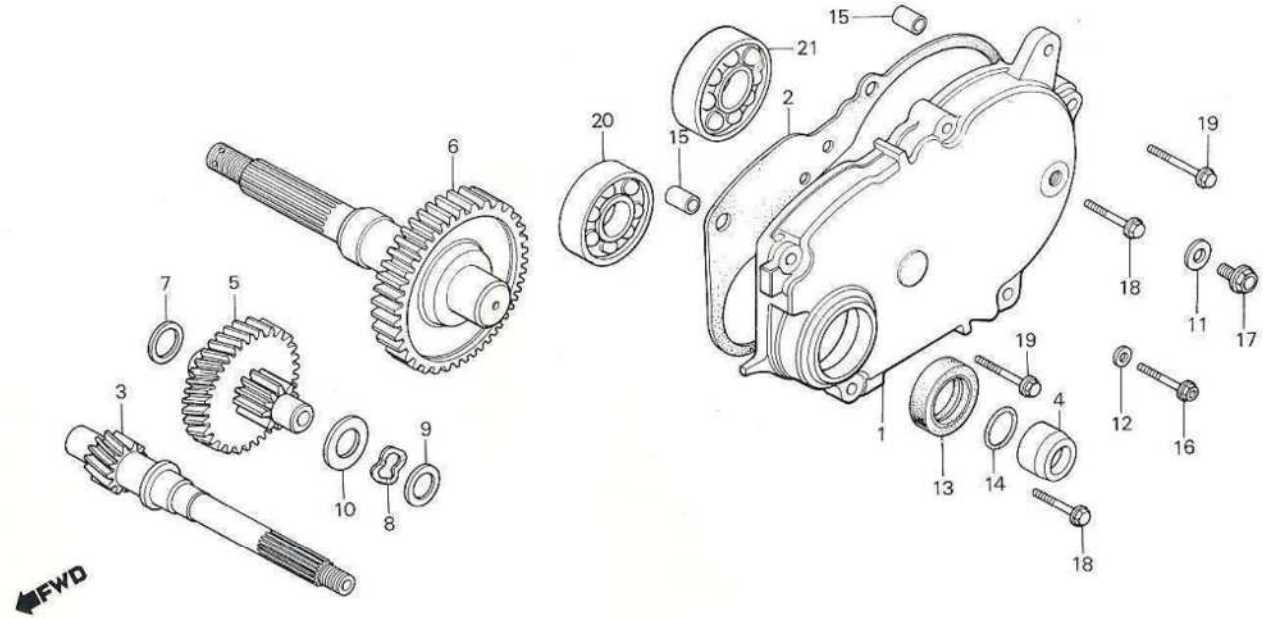
Service item	F.R.T.	Ref. No.	Part No.	Description	Reqd. N° PX50							Area code
					A	MA	SA	MSA	C	Sc	MSC	
COVER TRANSMISSION	0.6	1	21301-197-000	COVER, TRANSMISSION	1	1	1	1	1	1	1	
• DRIVESHAFT		2	21395-187-000	GASKET, TRANSMISSION COVER	1	1	1	1	1	1	1	
• COUNTERSHAFT COMP.		3	23411-197-000	DRIVESHAFT	1	1	1	1	1	1	1	
• OIL SEAL, 20 x 30 x 5		4	23412-187-000	COLLAR, DRIVESHAFT	1	1	1	1	1	1	1	
• BEARING, RADIAL BALL		5	23420-197-000	COUNTERSHAFT, COMP.	1	1	1	1	1	1	1	
GASKET TRANSMISSION COVER	0.5											
GEAR COMP. FINAL	0.7	6	23430-197-000	GEAR COMP., FINAL	1	1	1	1	1	1	1	2B, 2F, 2G, 2AR 2E, 2N 2H, 2FI
	(0.8)		23430-197-650	GEAR COMP., FINAL	1				1			
		7	90412-187-000	WASHER, THRUST	1	1	1	1	1	1	1	
		8	90444-187-000	WASHER, WAVE, 14 MM	1	1	1	1	1	1	1	
		9	90451-001-000	WASHER, THRUST, 14 MM	1	1	1	1	1	1	1	
		10	90454-350-000	WASHER, THRUST, 14 MM	1	1	1	1	1	1	1	
		11	90481-001-020	WASHER, 10,2 MM	1	1	1	1	1	1	1	
		12	90481-250-000	WASHER A, 6,5 MM	1	1	1	1	1	1	1	
		13	91204-187-000	OIL SEAL, 20 x 30 x 5	1	1	1	1	1	1	1	
		14	91307-567-000	O-RING, 13,5 x 14	1	1	1	1	1	1	1	
		15	94301-10200	PIN A, DOWEL, 10 x 20	2	2	2	2	2	2	2	

() : WITH CRANCK PEDAL TYPE

C 12

E-7

Transmission



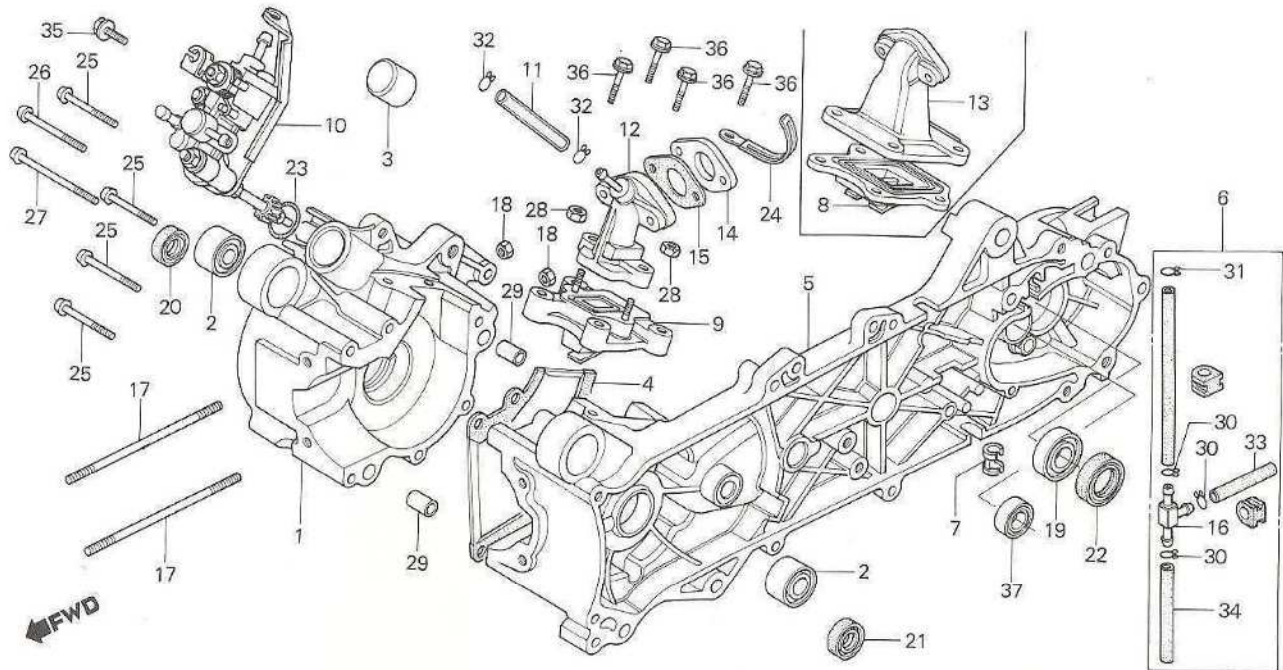
B197-7

Service item	F.R.T.	Ref. No.	Part No.	Description	Reqd. N°							Area code
					A	MA	SA	PX50 MSA	c	Sc	MSc	
		16	95700-06025-00	BOLT, FLANGE, 6 x 25	1	1	1	1	1	1	1	
		17	95700-10012-00	BOLT, FLANGE, 10 x 12	1	1	1	1	1	1	1	
		18	96000-06025-00	BOLT, FLANGE, 6 x 25	2	2	2	2	2	2	2	
		19	96000-06032-00	BOLT, FLANGE, 6 x 32	2	2	2	2	2	2	2	
		20	96100-62023-00	BEARING, RADIAL BALL, 6202	1	1	1	1	1	1	1	
		21	96100-62033-00	BEARING, RADIAL BALL, 6203	1	1	1	1	1	1	1	

C 13

E-8

Crankcase • Oil pump



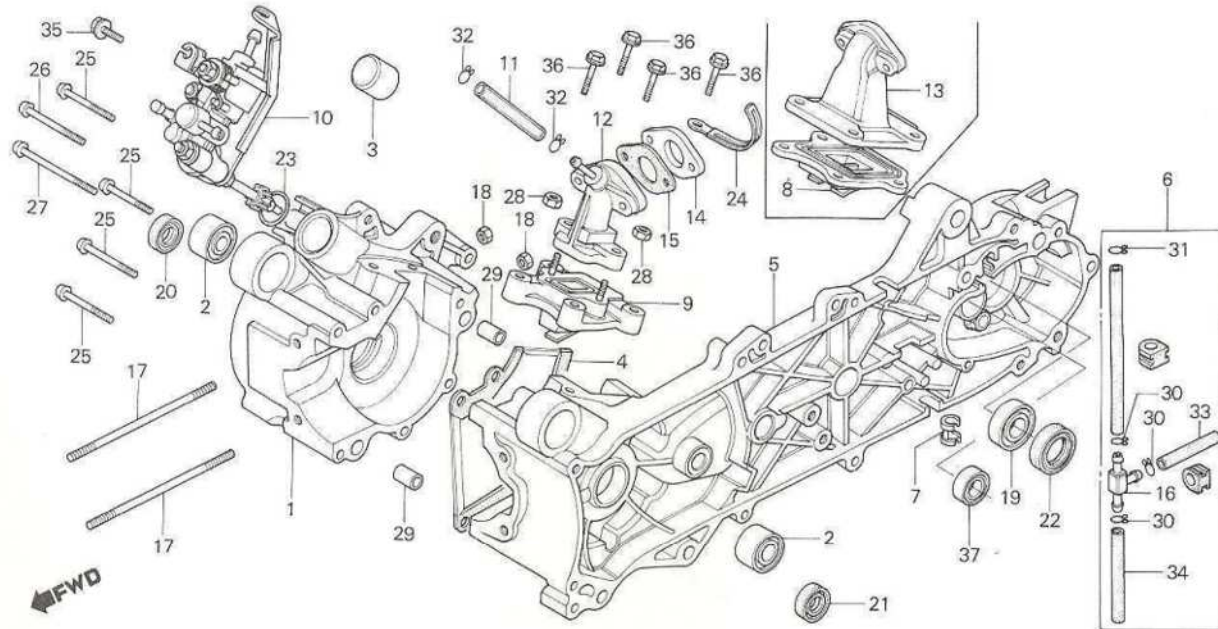
B197-8

Service item	F.R.T.	Ref. No.	Part No.	Description	Reqd. N°							Area code	
					A	MA	SA	PX50 MSA	C	Sc	MSc		
CRANCKCASE, R.	* 2.1	1	11101-197-000	CRANCKCASE, R.	1	1			1				
BUSH, ENGINE HANGER RUBBER	0.7		11101-197-710	CRANCKCASE, R.			1	1		1	1		
GASKET, CRANCKCASE	1.8	2	11102-187-003	BUSH, ENGINE HANGER RUBBER	2	2	2	2	2	2	2		
CRANCKCASE, L.	* 2.9	3	11103-197-003	PLUG, SEAL, 20 MM	1		1		1	1			2F, 2H, 2FI, 2N, 2E, 2AR
VALVE COMP. REED	0.3	4	11191-187-000	GASKET, CRANCKCASE	1	1	1	1	1	1	1		
	(0.5)	5	11201-197-010	CRANCKCASE, L.	1		1		1	1			2F, 2N, 2E, 2AR
PIPE IN	0.3		11201-197-611	CRANCKCASE, L.	1	1		1	1		1		2G, 2H, 2FI, 2B
	(0.4)												
OIL POMP ASSY	0.3		11201-197-641	CRANCKCASE, L.	1					1			2B
TUBE, OIL PASS	0.1												
PIPE COMP. IN.	0.4	6	11210-197-000	TUBE ASSY, BREATHER	1	1	1	1	1	1	1		
BOLT, STUD, 6 x 108	0.5	7	11213-187-000	SEAL, BREATHER TUBE	1	1	1	1	1	1	1		
(ADD 0.1 FOR EACH)		8	14100-197-003	VALVE COMP., REED	1		1		1	1			2F, 2H, 2FI, 2N, 2AR
BEARING, RADIAL BALL, 5203UU	0.8	9	14100-197-611	VALVE COMP., REED	1	1		1	1	1	1		2B, 2G, 2E
• OIL SEAL, 24 x 40 x 7		10	15100-197-611	OIL POMP ASSY	1	1		1	1	1	1		2B, 2G, 2E
OIL SEAL, 15 x 25.5 x 7	* 1.9												
OIL SEAL, 20 x 31 x 7	* 2.2	11	15525-197-000	TUBE, OIL PASS	1	1		1	1	1	1		2B, 2G, 2E
BEARING, RADIAL BALL, 6201	0.3	12	17100-197-610	PIPE COMP. IN	1	1		1	1	1	1		2B, 2G, 2E
		13	17101-197-000	PIPE IN	1		1		1	1			2F, 2N, 2AR
() : WITH OIL PUMP TYPE			17101-197-650	PIPE IN	1				1				2H, 2FI

C 14

E-8

Crankcase • Oil pump



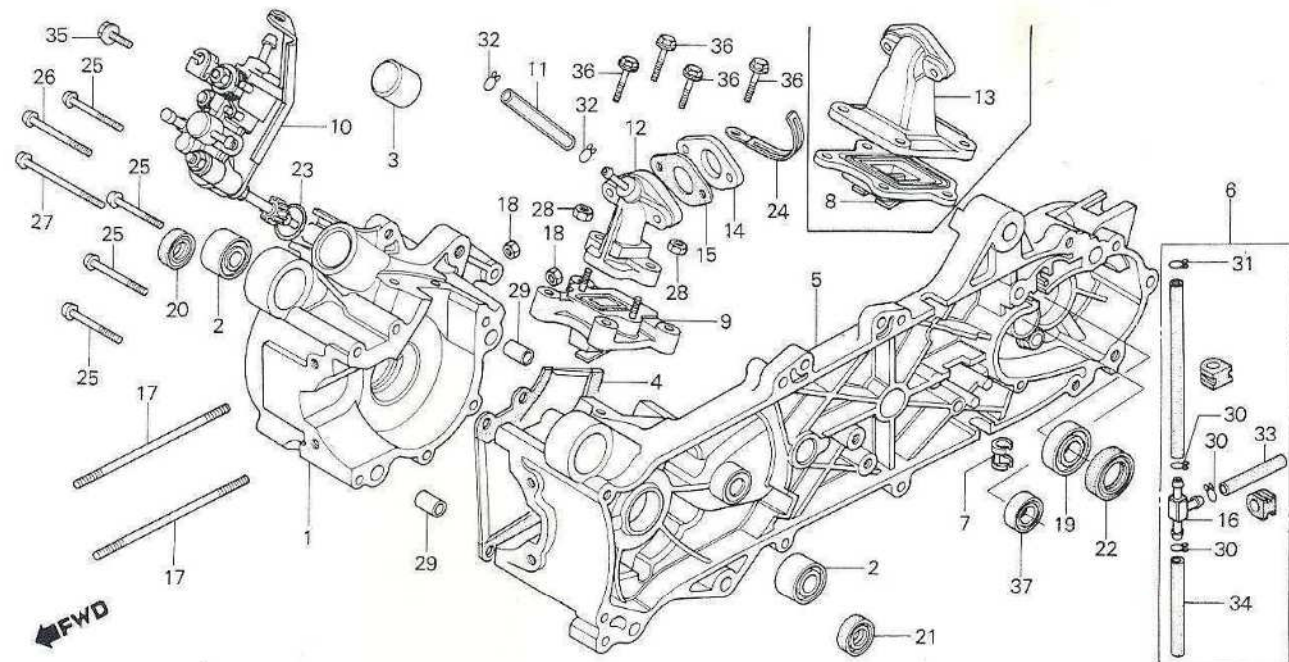
B197-8

Service item	F.R.T.	Ref. No.	Part No.	Description	Reqd. N°							Area code
					A	MA	SA	PX50 MSA	C	Sc	MSc	
		14	17121-197-000	INSULATOR, CARBURETTOR	1	1	1	1	1	1	1	
		15	17131-197-000	GASKET IN PIPE	1	1	1	1	1	1	1	
		16	38581-671-003	JOINT, TUBE	1	1	1	1	1	1	1	
		17	90041-147-000	BOLT, STUD, 6 x 108	4	4	4	4	4	4	4	
		18	90282-329-000	NUT, 6 x 15	2	2	2	2	2	2	2	
		19	91026-197-003	BEARING, RADIAL BALL, 5203UU	1	1	1	1	1	1	1	
		20	91201-147-003	OIL SEAL, 15 x 25.5 x 7	1	1	1	1	1	1	1	
		21	91202-155-003	OIL SEAL, 20 x 31 x 7	1	1	1	1	1	1	1	
			91202-155-004	OIL SEAL, 20 x 31 x 7	1	1	1	1	1	1	1	
		22	91254-187-005	OIL SEAL, 24 x 40 x 7	1	1	1	1	1	1	1	
		23	91301-166-000	O-RING, 18.3 x 2.3	1	1		1	1	1	1	2B, 2G, 2E
		24	91410-679-000	CLIP, 6 x 20	1	1	1	1	1	1	1	
		25	93500-06045	SCREW, PAN, 6 x 45	4	4	4	4	4	4	4	
		26	93500-06060	SCREW, PAN, 6 x 60	1	1	1	1	1	1	1	
		27	93500-06080	SCREW, PAN, 6 x 80	1	1	1	1	1	1	1	
		28	94001-06000-0S	NUT, HEX, 6 MM	2	2		2	2	2	2	2B, 2G, 2H, 2E, 2FI
		29	94301-10200	PIN A, DOWEL, 10 x 20	2	2	2	2	2	2	2	
		30	95002-02080	CLIP B8, TUBE	3	3	3	3	3	3	3	

C 15

E-8

Crankcase • Oil pump



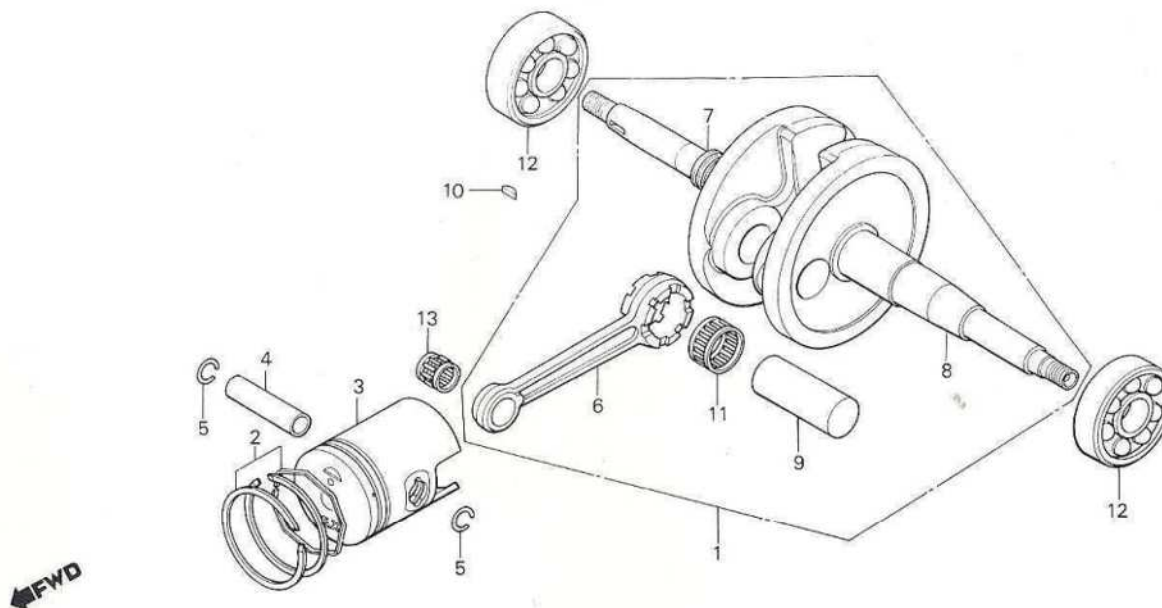
B197-8

Service item	F.R.T.	Ref. No.	Part No.	Description	Reqd. N°							Area code
					A	MA	SA	MSA	C	SC	MSC	
		31	95002-02100	CLIP B10, TUBE	1	1	1	1	1	1	1	
		32	95002-02650	CLIP B6.5, TUBE	2	2		2	2	2	2	2B, 2G, 2E
		33	95005-45075-30	TUBE, 4.5 x 75	1	1	1	1	1	1	1	
		34	95005-45085-30	TUBE, 4.5 x 85	1	1	1	1	1	1	1	
		35	96000-06014-00	BOLT, FLANGE 6 x 14	1	1		1	1	1	1	2B, 2G, 2E
		36	96000-06025-00	BOLT, FLANGE 6 x 25	4	4	4	4	4	4	4	
		37	96100-62013-00	BEARING, RADIAL BALL, 6201	1	1	1	1	1	1	1	



E-9

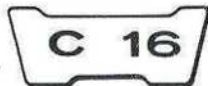
Crankshaft • Piston



B187-10

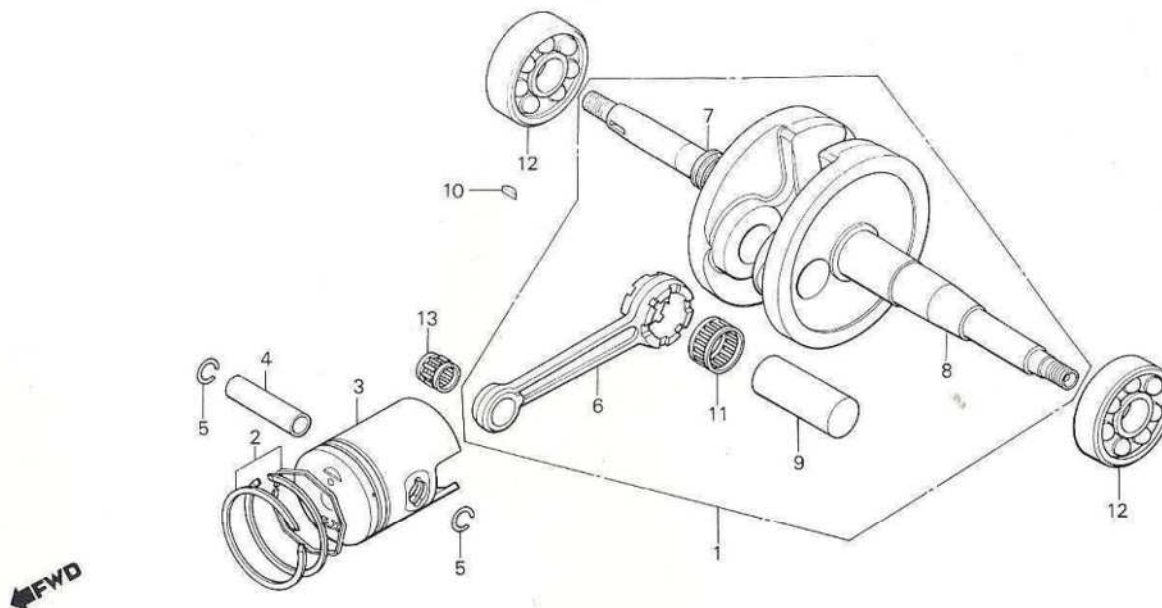
Service item	F.R.T.	Ref. No.	Part No.	Description	Reqd. N°							Area code	
					A	MA	SA	MSA	C	Sc	MSC		
CRANKSHAFT COMP.	* 2.3	1	13000-187-000	CRANKSHAFT COMP.	1						1		2B
RING SET, PISTON	0.5		13000-197-000	CRANKSHAFT COMP.	1		1		1	1			2F, 2H, 2AR, 2E, 2N, 2FI
• PIN PISTON			13000-197-610	CRANKSHAFT COMP.		1		1			1		
PISTON B	0.6	2	13011-190-003	RING SET PISTON (STD.NIPPON)	1	1	1	1	1	1	1		
ROD, CONNECTING (ACTUAL TIME)			13011-190-005	RING SET PISTON (STD.TEIKOKU)	1	1	1	1	1	1	1		
INC. RELATIVE PART		3	13103-187-023	PISTON B	1	1	1	1	1	1	1		
BEARING, RADIAL BALL, 6004	* 2.4	4	13111-122-000	PIN, PISTON	1	1	1	1	1	1	1		
(ADD 0.2 FOR EACH)		5	13115-147-000	CLIP, PISTON PIN, 10 MM	2	2	2	2	2	2	2		
		6	13201-147-700	ROD, CONNECTING	1	1	1	1	1	1	1		
		7	13311-187-300	CRANKSHAFT, R.	1	1		1		1	1		2B, 2G
			13311-197-300	CRANKSHAFT, R.	1		1		1	1			2F, 2H, 2AR, 2E, 2N, 2FI
		8	13321-187-300	CRANKSHAFT, L.	1		1		1	1			
			13321-197-610	CRANKSHAFT, L.		1		1			1		
		9	13381-147-300	PIN, CRANK	1	1	1	1	1	1	1		
		10	90741-147-000	KEY, WOODRUFF	1	1	1	1	1	1	1		

Crank pin allowance 16φ	1	2	3
Connecting rod allowance 20φ	-0.009~ -0.006	-0.006~ -0.003	-0.003~ 0
A or Red	+0.016 +0.012	Red 91001-122-004 91001-122-008	Red 91001-122-004 91001-122-008
B or Blue	+0.012 +0.008	Red 91001-122-004 91001-122-008	Blue 91002-122-004 91002-122-008
C or White	+0.008 +0.004	Blue 91002-122-004 91002-122-008	White 91003-122-004 91003-122-008
D or Green	+0.004 0	White 91003-122-004 91003-122-008	



E-9

Crankshaft • Piston



B187-10

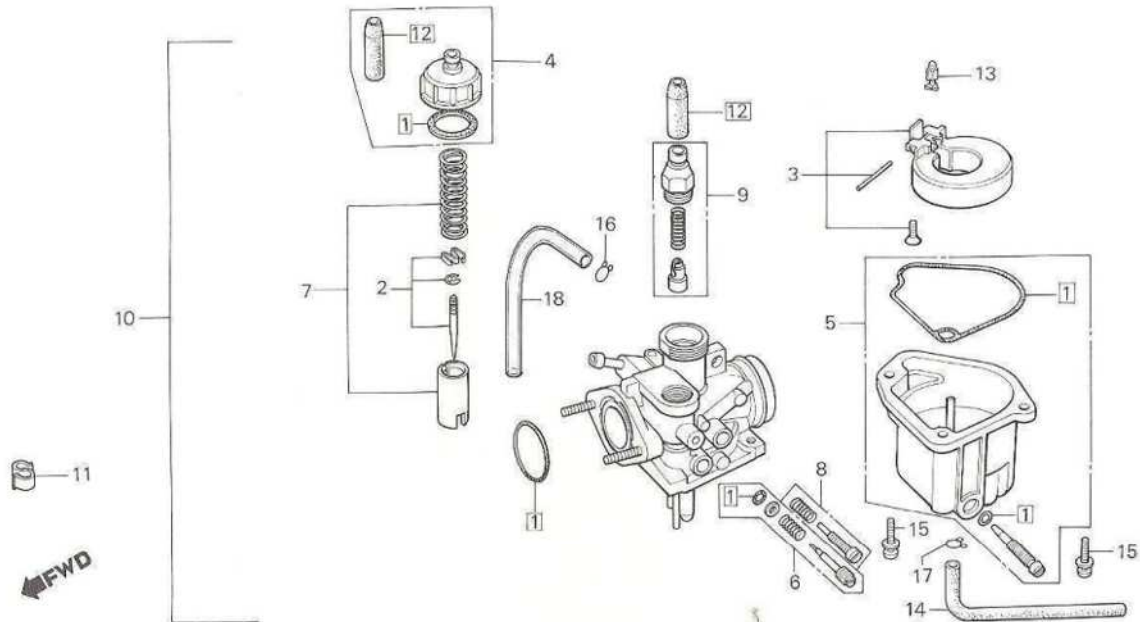
Service item	F.R.T.	Ref. No.	Part No.	Description	Reqd. N°							Area code	
					A	MA	SA	MSA	C	Sc	MSc		
CRANKSHAFT COMP.	* 2.3	1	13000-187-000	CRANKSHAFT COMP.	1						1		2B
RING SET, PISTON	0.5		13000-197-000	CRANKSHAFT COMP.	1		1		1	1			2F, 2H, 2AR, 2E, 2N, 2FI
• PIN PISTON			13000-197-610	CRANKSHAFT COMP.		1		1			1		
PISTON B	0.6	2	13011-190-003	RING SET PISTON (STD.NIPPON)	1	1	1	1	1	1	1		
ROD, CONNECTING (ACTUAL TIME)			13011-190-005	RING SET PISTON (STD.TEIKOKU)	1	1	1	1	1	1	1		
INC. RELATIVE PART		3	13103-187-023	PISTON B	1	1	1	1	1	1	1		
BEARING, RADIAL BALL, 6004	* 2.4	4	13111-122-000	PIN, PISTON	1	1	1	1	1	1	1		
(ADD 0.2 FOR EACH)		5	13115-147-000	CLIP, PISTON PIN, 10 MM	2	2	2	2	2	2	2		
		6	13201-147-700	ROD, CONNECTING	1	1	1	1	1	1	1		
		7	13311-187-300	CRANKSHAFT, R.	1	1		1		1	1		2B, 2G
			13311-197-300	CRANKSHAFT, R.	1		1		1	1			2F, 2H, 2AR, 2E, 2N, 2FI
		8	13321-187-300	CRANKSHAFT, L.	1		1		1	1			
			13321-197-610	CRANKSHAFT, L.		1		1			1		
		9	13381-147-300	PIN, CRANK	1	1	1	1	1	1	1		
		10	90741-147-000	KEY, WOODRUFF	1	1	1	1	1	1	1		

	1	2	3
Crank pin allowance 16φ	-0.009-	-0.006-	-0.003-0
Connecting rod allowance 20φ	-0.009-	-0.006-	-0.003-0
A or Red	+0.018 +0.012	Red 91001-122-004 91001-122-008	Red 91001-122-004 91001-122-008
B or Blue	+0.012 +0.008	Red 91001-122-004 91001-122-008	Blue 91002-122-004 91002-122-008
C or White	+0.008 +0.004	Blue 91002-122-004 91002-122-008	White 91003-122-004 91003-122-008
D or Green	+0.004 0	White 91003-122-004 91003-122-008	White 91003-122-004 91003-122-008

C 18

E-10

Carburetor



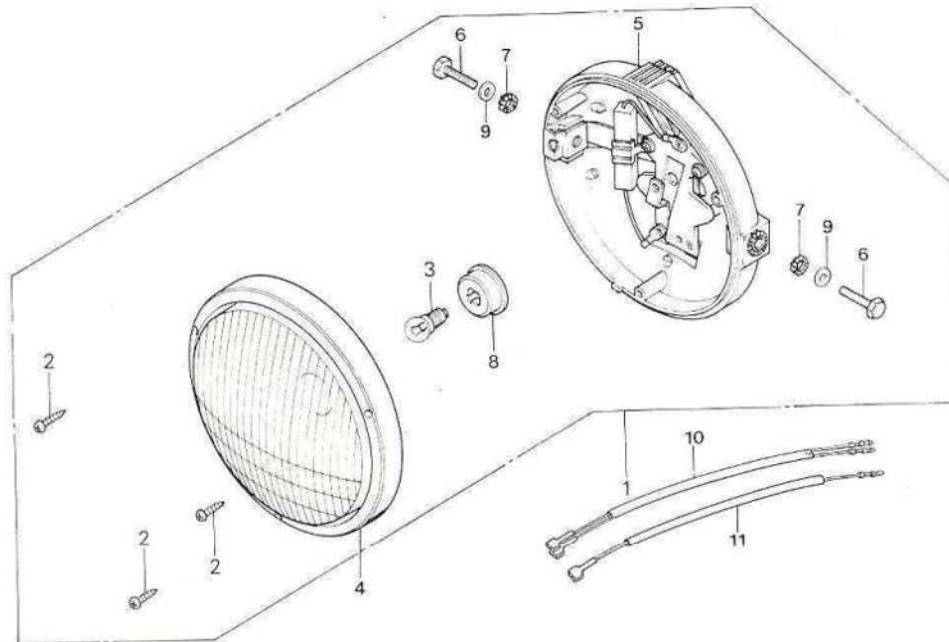
B197-9

Service item	F.R.T.	Ref. No.	Part No.	Description	Reqd. N°							Area code
					A	MA	SA	PX50 MSA	C	Sc	MSc	
PACKING SET	0.4	1	16010-197-004	PACKING SET	1	1	1	1	1	1	1	
	0.6	2	16012-187-013	NEEDLE SET, JET	1	1	1	1	1	1	1	
FLOAT SET	0.4	3	16013-147-004	FLOATSET	1	1	1	1	1	1	1	
	(0.6)	4	16014-147-014	TOP SET	1	1	1	1	1	1	1	
CHAMBER SET, FLOAT	0.4	5	16015-197-004	CHAMBER SET, FLOAT	1	1	1	1	1	1	1	
	(0.5)											
VALVE SET, FLOAT	0.4	6	16016-197-004	SCREW SET	1	1	1	1	1	1	1	
	(0.6)	7	16022-197-004	VALVE SET, THROTTLE	1	1	1	1	1	1	1	
NEEDLE SET, JET	0.2	8	16028-187-003	SCREW SET B	1	1	1	1	1	1	1	
• TOP SET		9	16046-147-004	VALVE SET, STARTER	1	1	1	1	1	1	1	
• VALVE SET, THROTTLE		10	16100-197-034	CARBURETTOR ASSY	1		1		1	1		2F, 2AR, 2E, 2N
VALVE SET, STARTER	0.1		16100-197-614	CARBURETTOR ASSY	1	1		1	1	1		2B, 2G, 2H, 2FI
• TUBE FUEL												
CARBURETTOR ASSY	0.3	11	16103-187-000	CLIP, OVER FLOW TUBE	1	1	1	1	1	1	1	
	(0.5)	12	16118-086-004	CAP, CABLE	1	1	1	1	1	1	1	
		13	16155-883-005	VALVE SET, FLOAT	1	1	1	1	1	1	1	
(): WITH OIL PUMP TYPE		14	16199-092-901	TUBE, FUEL	1	1	1	1	1	1	1	
		15	93892-04012-08	SCREW-WASHER, 4 x 12	2	2	2	2	2	2	2	
		16	95002-02070	CLIP B7, TUBE	1	1	1	1	1	1	1	
		17	95002-02650	CLIP B6,5 TUBE	1	1	1	1	1	1	1	
		18	95003-07013-31	TUBE, VINYL, 4 x 7 x 130	1	1	1	1	1	1	1	

D 2

F-1

Headlight 2B, 2G, 2H, 2FI, 2AR, 2F



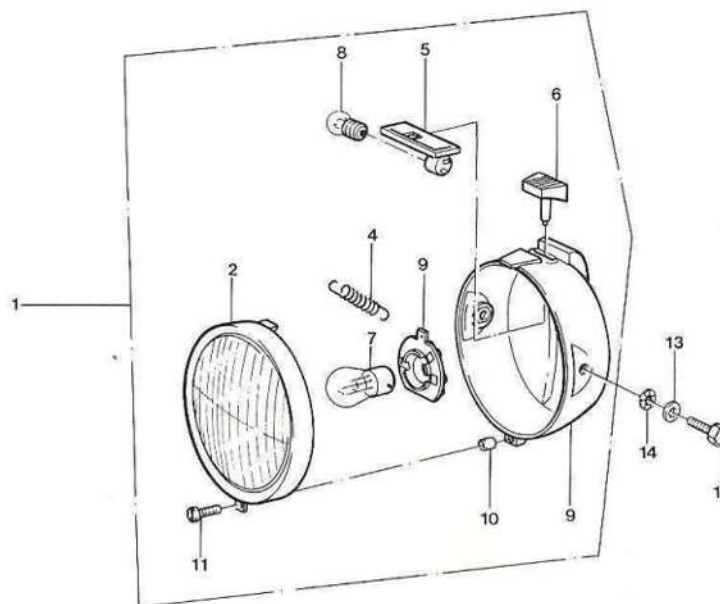
← FWD

Service item	F.R.T.	Ref. No.	Part No.	Description	Reqd. N°							Area code	
					A	MA	SA	MSA	C	Sc	MSc		
HEADLIGHT ASSY INC RELATIVE PART	0.1	* 1	33100-197-610	HEADLIGHT ASSY	(1)	(1)			(1)			2B, 2G, 2H, 2FI 2F	
		* 2	33100-197-620	HEADLIGHT ASSY	(1)							2F	
		* 3	33100-197-710	HEADLIGHT ASSY				(1)		(1)	(1)	2F	
		* 4	33100-197-720	HEADLIGHT ASSY				(1)		(1)	(1)	2F	
		2	93901-32410	SCREW TAPPING 3 x 16	(3)	(3)	(3)	(3)	(3)	(3)	(3)		2B, 2G, 2H, 2FI
		3	34901-148-610	BULB HEADLIGHT (6V 15W WHITE)	(1)	(1)		(1)					2B, 2G, 2H, 2FI
			34901-050-621	BULB HEADLIGHT (6W YELLOW)	(1)			(1)					2F
			34901-197-710	BULB HEADLIGHT (6V 15W WHITE)				(1)		(1)	(1)		2F
		4	33101-197-610	UNIT, HEADLIGHT	(1)	(1)		(1)	(1)	(1)	(1)		2B, 2G, 2H, 2FI, 2AR
			33101-197-620	UNIT, HEADLIGHT	(1)			(1)					2F
		5	61300-197-000	CASE ASSY, HEADLIGHT	(1)	(1)		(1)	(1)	(1)	(1)		2B, 2G, 2H, 2FI, 2AR
	61300-197-620	CASE ASSY, HEADLIGHT	(1)								2F		
	61300-197-720	CASE ASSY, HEADLIGHT				(1)					2F		
6	92000-06016-0A	BOLT, HEX 6 x 16	(2)	(2)	(2)	(2)	(2)	(2)	(2)	(2)			
7	90130-148-000	FAN WASHER 6 MM	(2)	(2)	(2)	(2)	(2)	(2)	(2)	(2)			
8	33106-197-620	SOCKET	(1)			(1)					2F		
9	94101-06000	WASHER PLAIN, 6 MM	(2)	(2)	(2)	(2)	(2)	(2)	(2)	(2)			
10	32115-197-000	CORD A, HEADLIGHT	(1)	(1)	(1)	(1)	(1)	(1)			2B, 2G, 2H, 2F, 2FI		
										(1)	2AR		
11	32117-197-770	SUB CORD LIGHT	(1)	(1)						(1)	(1)	2B, 2F	

D 2

F-1-1

Headlight 2E, 2N



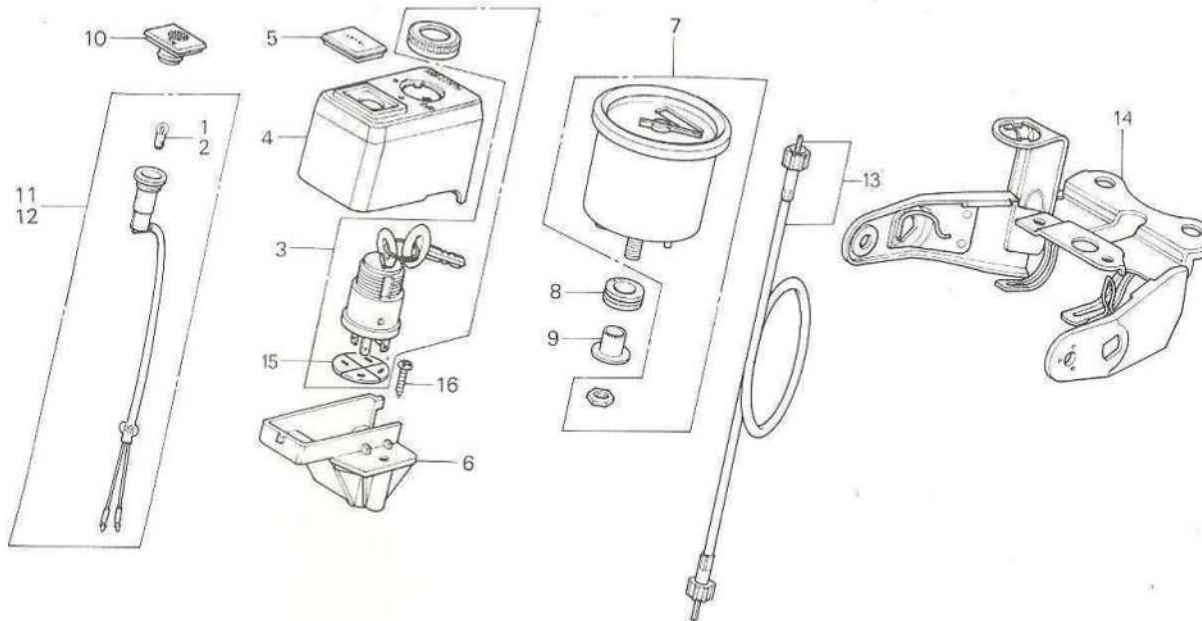
←FWD

Service item	F.R.T.	Ref. No	Part No.	Description	Reqd. N°							Area code	
					A	MA	SA	PX50 MSA	c	Sc	MSc		
HEADLIGHT INC RELATIVE PART	0.1	* 1	61300-GB7-420	HEADLIGHT ASSY								(1)	2E
			61300-148-580	HEADLGHY ASSY								(1)	2N
		2	33101-148-580	UNIT, HEADLIGHT								(1)	
		3	33106-148-580	SOCKET, 6a x 15d								(1)	
		4	33109-148-470	SPRING UNIT HEADLIGHT								(1)	
		5	33114-148-580	SOCKET, PILOT LAMP ASSY								(1)	
		6	33115-148-580	WINDOW HIGH BEAM CONT.								(1)	
		7	34901-099-600	BULB HEADLIGHT 18/18W								(1)	2E
			34901-001-812	BULB HEADLIGHT 15/15W								(1)	2N
		8	34907-148-580	PILOT LAMP								(1)	
		9	61310-148-580	BODY, HEADLIGHT COMP								(1)	
		10	61316-148-470	COLLAR UNIT HEADLIGHT								(1)	
		11	90125-148-470	BOLT 4 x 16 UNIT HEADL.								(1)	
		12	92000-08015-0A	BOLT HEX 8 x 15								(2)	
13	94101-08000	WASHER PLAIN 8 MM								(2)			
14	90131-148-000	FAN WASHER 8 MM								(2)			



F-2

Speedometer - Combination switch

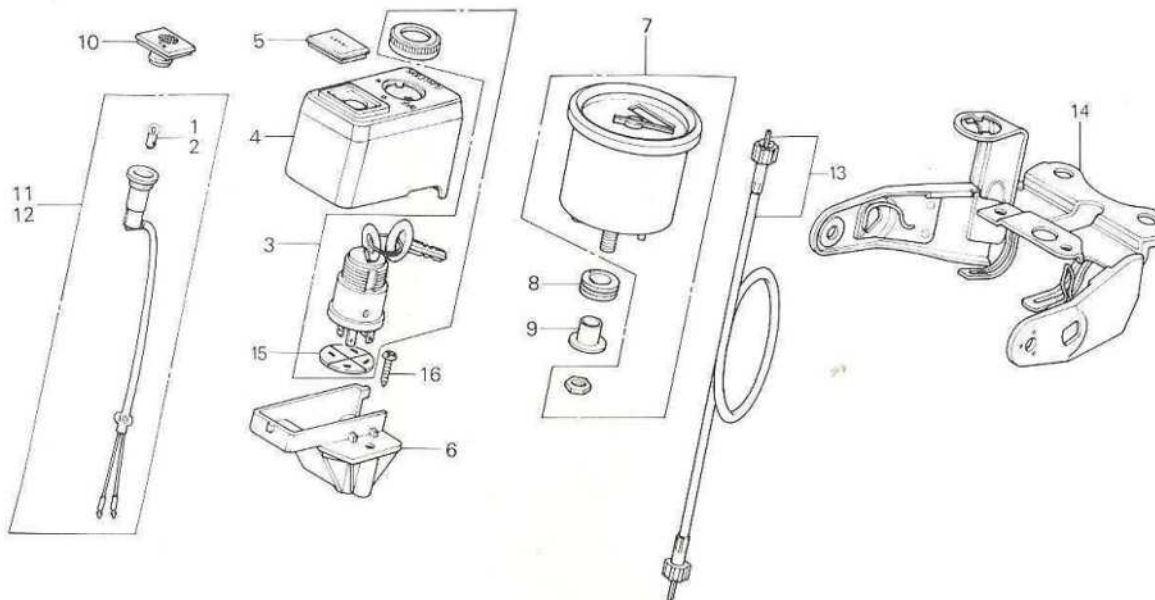


Service item	F.R.T.	Ref. No.	Part No.	Description	Reqd. N ^o							Area code	
					A	MA	SA	PX50 MSA	C	Sc	MSC		
SWITH ASSY COMBINATION	0.2	* 1	34902-463-711	BULB DASH (12V, 17W STANLEY)							(1)	(1)	
• COVER COMBINATION SWITCH			34906-197-750	BULB 12V, 3W								(1)	2B
• COVER COMBINATION SWITCH UNDER			34908-230-000	BULB SPEEDOMETER (6V, 1.7W)	(1)	(1)						(1)	2AR
• SPEEDOMETER ASSY		* 2	34908-230-000	BULB SPEEDOMETER (6V, 1.7W)	(1)	(1)						(1)	2B, 2G
LENS COM., OIL PILOT	0.1	* 3	35100-197-010	SWITCH ASSY COMBIN.	(1)	(1)	(1)	(1)	(1)	(1)	(1)	(1)	
		* 4	35110-197-000	COVER COMBINATION SWITCH UPPER	(1)	(1)	(1)	(1)	(1)	(1)	(1)	(1)	
• CABLE COMP., SPEEDOMETER		* 5	35111-197-000	CAP. COMBINATION	(1)		(1)		(1)				2F, 2H, 2FI, 2N
SOCKET COMP., OIL PILOT	0.3	* 6	35112-197-000	COVER, COMBIN. SWITCH UNDER	(1)	(1)	(1)	(1)	(1)	(1)	(1)	(1)	
BRACKET, HEADLIGHT CASE	0.5	* 7	37200-197-000	SPEEDOMETER ASSY 60K/H	(1)		(1)				(1)		2FI, 2N
			37200-197-610	SPEEDOMETER ASSY 40K/H		(1)		(1)					
			37200-197-730	SPEEDOMETER ASSY 40M/H					(1)				2E
		* 8	37206-197-000	RUBBER METER SETTING	(1)	(1)	(1)	(1)	(1)	(1)	(1)	(1)	
		* 9	37207-197-000	COLLAR, SPDMT. SET	(1)	(1)	(1)	(1)	(1)	(1)	(1)	(1)	
		* 10	37561-197-000	LENS COMP. OIL PILOT	(1)	(1)		(1)	(1)	(1)	(1)	(1)	2B, 2G, 2E
			37564-197-750	LENS COMP. WINKER PILOT							(1)		2AR
		* 11	37562-197-610	SOCKET COMP. OIL PILOT 6V.	(1)	(1)			(1)				2B, 2G, 2E

D 4

F-2

Speedometer - Combination switch



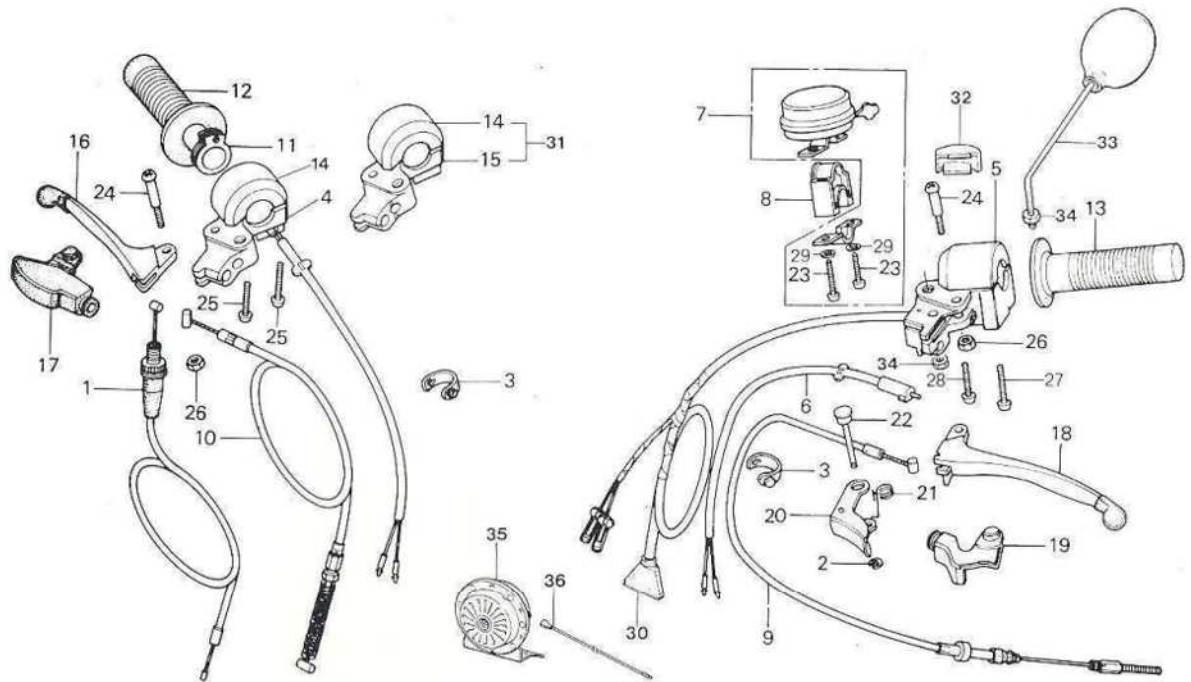
FWD

Service item	F.R.T.	Ref. No.	Part No.	Description	Reqd. N°							Area code	
					A	MA	SA	MSA	c	Sc	MSC		
		* 12	37562-197-710	SOCKET COMP. OIL PILOT 12V.							(1)	(1)	
			37563-197-750	SOCKET COMP. WINKER PILOT							(1)	(1)	2B 2AR
		* 13	44830-148-470	CABLE COMP. SPEEDOMETER	(1)	(1)	(1)	(1)	(1)	(1)	(1)	(1)	
		* 14	61311-197-000ZA	BRACKET, HEADLIGHT CASE NH105	(1)		(1)	(1)			(1)	(1)	
			61311-197-610ZA	BRACKET, HEADLIGHT CASE NH105		(1)					(1)	(1)	2FI 2B 2G 2E 2N
			61311-197-730ZA	BRACKET, HEADLIGHT CASE NH105							(1)	(1)	
			61311-197-740ZA	BRACKET, HEADLIGHT CASE NH105							(1)	(1)	
		* 15	87585-197-300	MARK A, COM. SW.	(1)	(1)	(1)	(1)	(1)	(1)	(1)	(1)	
		16	93901-34580	SCREW TAPPING 4 x 20	(1)	(1)	(1)	(1)	(1)	(1)	(1)	(1)	



F-3

Handle lever - Switch - Cable

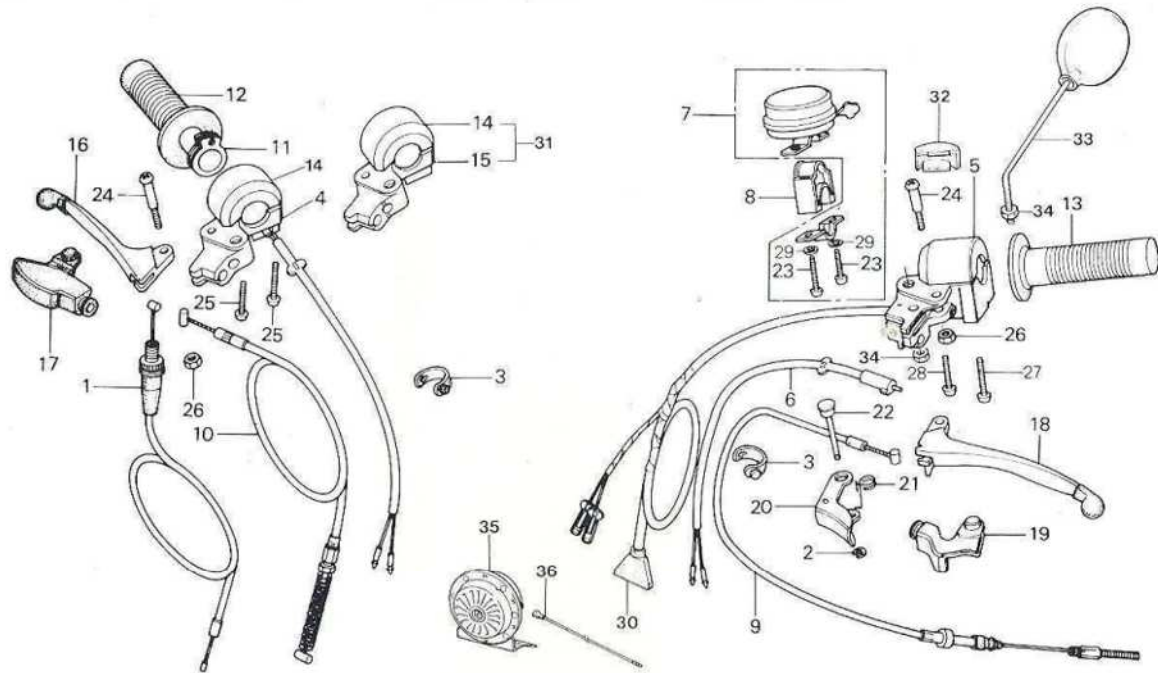


Service item	F.R.T.	Ref. No.	Part No.	Description	Reqd. N°							Area code
					A	MA	SA	PX50 MSA	C	Sc	MSC	
CABLE COMP. THROTTLE	0.4	* 1	17910-197-000	CABLE COMP. THROTTLE	(1)		(1)		(1)	(1)		2F, 2H, 2AR, 2N, 2FI
SWITCH ASSY STARTING	0.3											
• CABLE COMP RR. BRAKE			17910-197-610	CABLE COMP. THROTTLE	1	1		1	1	1	1	2B, 2G, 2E
SWITCH ASSY WINKER	0.5	2	30158-700-010	E. CLIP, 3 MM	1	1	1	1	1	1	1	
SWITCH ASSY RR. STOP	0.2	* 3	32601-197-000	BAND CORD	(1)	(1)	(2)	(2)	(1)	(2)	(2)	
• CABLE COMP. FR. BRAKE		4	35150-197-711	SWITCH ASSY. STARTING			1	1		1	1	
• PIPE THROTTLE GRIP												
• HOUSING UNDER THROTTLE GRIP HANDLE	0.1											
• LEVER STEERING HANDLE			35200-197-013	SWITCH ASSY. WINKER	1	1			1			2FI, 2B, 2H
• LEVER COMP. PARKING			35200-197-610	BRKT. HANDLE LEVER			1					2G
			35200-197-730	SWITCH ASSY. WINKER DIMMER HORN					1			2E
			35200-197-740	SWITCH ASSY. HORN & DIMMER					1			2N
			35200-197-750	SWITCH ASSY. WINKER						1		2AR
			35200-197-770	SWITCH ASSY. HORN & WINKER						1	1	2B
					1		1					2F
		6	35350-197-000	SWITCH ASSY RR. STOP	1	1	1	1		1	1	
		* 7	38110-197-000	BELL	(1)	(1)		(1)				2N, 2FI
									(1)	(1)		2B, 2G, 2H
												2AR, 2FI

D 6

F-3

Handle lever - Switch - Cable

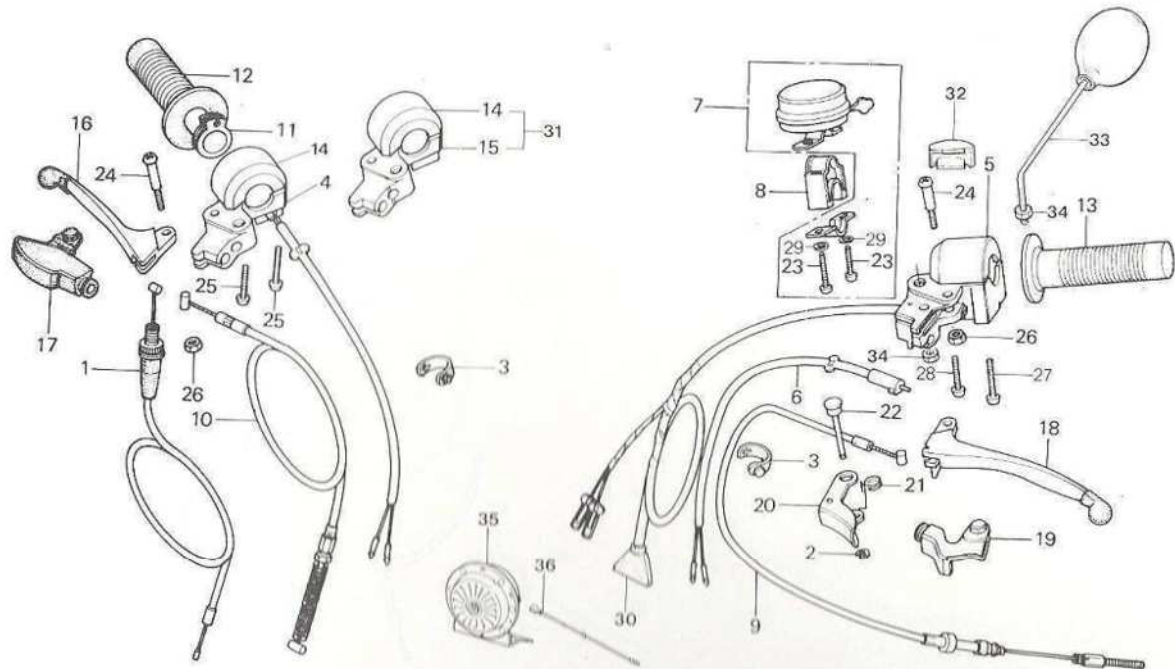


Service item	F.R.T.	Ref. No.	Part No.	Description	Reqd. N°								Area code	
					A	MA	SA	PX50 MSA	C	Sc	MSc			
		* 8	38121-197-000	SPACER BELL SETTING	(1)	(1)		(1)						2B, 2G, 2H 2AR, 2FI
		* 9	43450-197-000	CABLE COMP. RR. BRAKE	(1)	(1)	(1)	(1)	(1)	(1)	(1)	(1)		
		* 10	45450-197-000	CABLE COMP. FR. BRAKE	(1)	(1)	(1)	(1)	(1)	(1)	(1)	(1)		
		11	53141-125-770	PIPE THROTTLE GRIP	1	1	1	1	1	1	1	1		
		12	53165-GA7-000	GRIP R. HANDLE	1	1	1	1	1	1	1	1		
		13	53166-GA7-000	GRIP L. HANDLE	1	1	1	1	1	1	1	1		
		14	53167-125-771	HOUSING, UPPER THROTTLE	1	1	1	1	1	1	1	1		
		15	53168-187-000	HOUSING, UNDER THROTTLE	1	1			1					
		16	53175-147-671	LEVER R. (STEERING) HANDLE	1	1	1	1	1	1	1	1		
		17	53176-170-700	COVER R. HANDLE LEVER	1	1	1	1	1	1	1	1		
		18	53178-187-000	LEVER L. STEER. HANDLE	1	1	1	1	1	1	1	1		
		19	53179-170-700	COVER L. HANDLE LEVER	1	1	1	1	1	1	1	1		
		20	53181-187-000	LEVER COMP. PARKING	1	1	1	1	1	1	1	1		
		21	53182-155-010	SPRING. LEVER RETURN	1	1	1	1	1	1	1	1		
		22	53183-155-000	PIN. PARKING LEVER PILOT	1	1	1	1	1	1	1	1		
		23	90102-197-000	SCREW PAN 4 x 30	(2)	(2)		(2)			(2)	(2)		2B, 2G, 2H 2AR, 2FI
		24	90115-170-700	SCREW. HANDLE LEVER PIVOT	2	2	2	2	2	2	2	2		

D 7

F-3

Handle lever · Switch · Cable

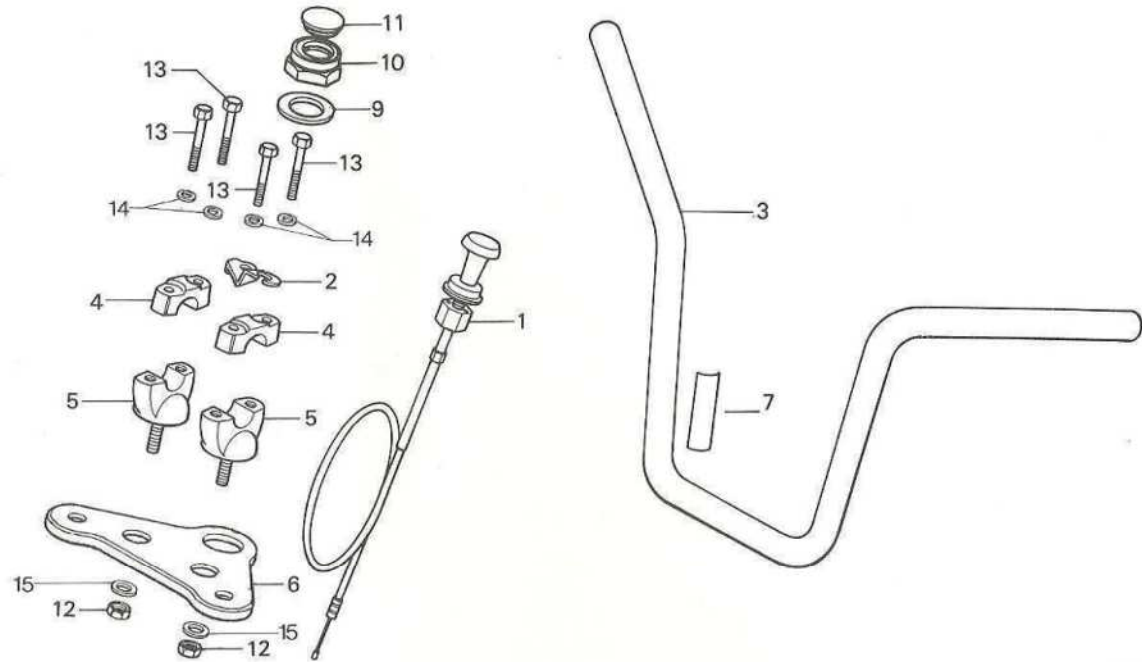


Service item	F.R.T.	Ref. No.	Part No.	Description	Head NP PX50								Area code
					A	MA	SA	MSA	C	Sc	MSc		
		25	93500-05025-0A	SCREW PAN. 5 x 25	(2)	(2)	(2)	(2)	(2)	(2)	(2)		
		26	94001-05000-0S	NUT HEX. 5 MM	(2)	(2)	(2)	(2)	(2)	(2)	(2)		
		27	93500-05032-0A	SCREW PAN 5 x 32	(1)	(1)	(1)	(1)	(1)	(1)	(1)		
		28	93500-05040-0A	SCREW PAN 5 x 40	(1)	(1)	(1)	(1)	(1)	(1)	(1)		
		29	94101-04000	WASHER. PLAIN 4 MM	(2)	(2)		(2)					
		30	32119-148-470	COVER CONNECTOR HEADLIGHT						(2)	(2)		2B, 2G, 2H 2AR, 2FI
		31	53140-187-003	HOUSING COMP. THROTTLE	1	1				(1)			2N, 2E
		32	35205-197-610	COVER. SWITCH HOLE			(1)			(1)			2G, 2N
		33	88120-197-000	MIRROR ASSY LEFT	(1)		(1)			(1)			2N, 2F, 2AR
		34	94001-08700	NUT HEX. 8 MM	2		2			2			2N, 2F, 2AR
		35	38100-197-000	HORN ASSY, 6V.	(1)								2F
			38100-197-720	HORN ASSY, 12V.			(1)						2F
			38100-197-740	HORN ASSY						(1)			2N, 2E
			38100-197-770	HORN ASSY							(1)	(1)	2B
		36	38102-197-740	SUB CORD HORN						(1)	(1)	(1)	2N, 2E, 2B 2F
					(1)	(1)							



F-4

Steering handle • Top bridge



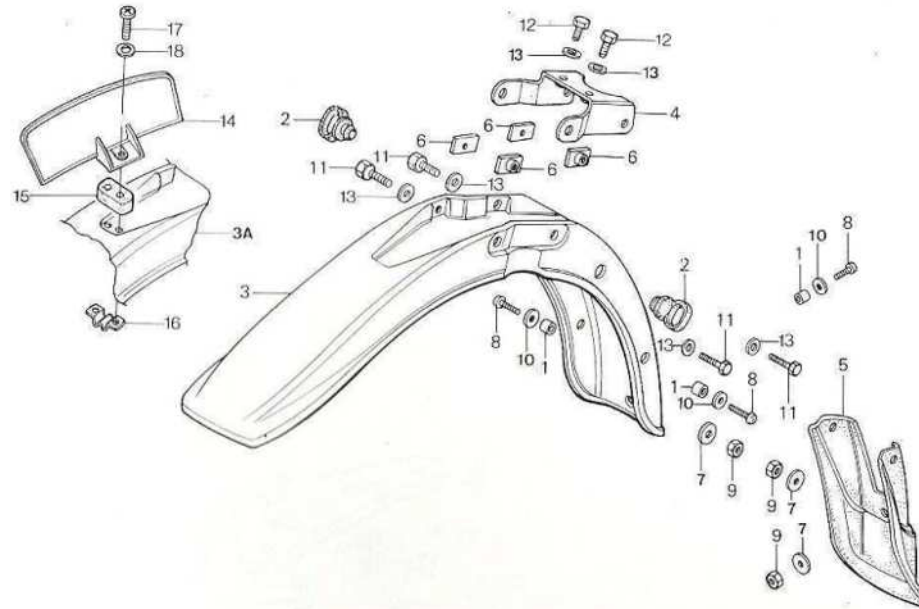
B197-13

Service item	F.R.T.	Ref. No.	Part No.	Description	Reqd. N°							Area code
					A	MA	SA	PX50 MSA	C	Sc	MSc	
CABLE COMP CHOKE	0.3	*	1 17950-197-000	CABLE COMP CHOKE	(1)	(1)	(1)	(1)	(1)	(1)	(1)	
PIPE STEERING HANDLE	0.4	*	2 17951-197-000	STAY, CHOKE CABLE	(1)	(1)	(1)	(1)	(1)	(1)	(1)	
HOLDER HANDLE LOWER (ONE OR ALL)	0.2	*	3 53100-197-000	PIPE, STEERING HANDLE	(1)	(1)	(1)	(1)	(1)	(1)	(1)	
* BRIDGE FORK TOP		*	4 53131-197-000	HOLDER, HANDLE UPPER	(2)	(2)	(2)	(2)	(2)	(2)	(2)	
		*	5 53132-197-000	HOLDER, HANDLE LOWER	(2)	(2)	(2)	(2)	(2)	(2)	(2)	
		*	6 53230-197-000ZA	BRIDGE FORK TOP "NH 105"	(1)	(1)	(1)	(1)	(1)	(1)	(1)	
		*	7 87570-197-610	MARK A, OIL CAUTION				(1)				2G
			87570-197-620	MARK A, OIL CAUTION	(1)	(1)				(1)	(1)	2B
			87570-197-640	MARK A, OIL CAUTION	(1)	(1)				(1)	(1)	2B
			87570-197-730	MARK A, OIL CAUTION					(1)			2E
		*	9 90201-093-000	WASHER PLAIN 26 MM	(1)	(1)	(1)	(1)	(1)	(1)	(1)	
		*	10 90301-093-003	NUT, STEERING HEAD STEM	(1)	(1)	(1)	(1)	(1)	(1)	(1)	
		*	11 90302-093-000B	CAP, STEERING STEM NUT	(1)	(1)	(1)	(1)	(1)	(1)	(1)	
		*	12 94001-10000-0S	NUT, HEX. 10 MM	(2)	(2)	(2)	(2)	(2)	(2)	(2)	
			13 92000-06030-0G	BOLT, HEX. 6 x 30	(4)	(4)	(4)	(4)	(4)	(4)	(4)	
			14 94101-06700	WASHER PLAIN 6 MM	(4)	(4)	(4)	(4)	(4)	(4)	(4)	
			15 94101-10000	WASHER PLAIN 10 MM	(2)	(4)	(4)	(4)	(4)	(4)	(4)	
			16 87560-197-300	MARK, DRIVE CAUTION	(1)	(1)	(1)	(1)	(1)	(1)	(1)	



F-5

Front fender



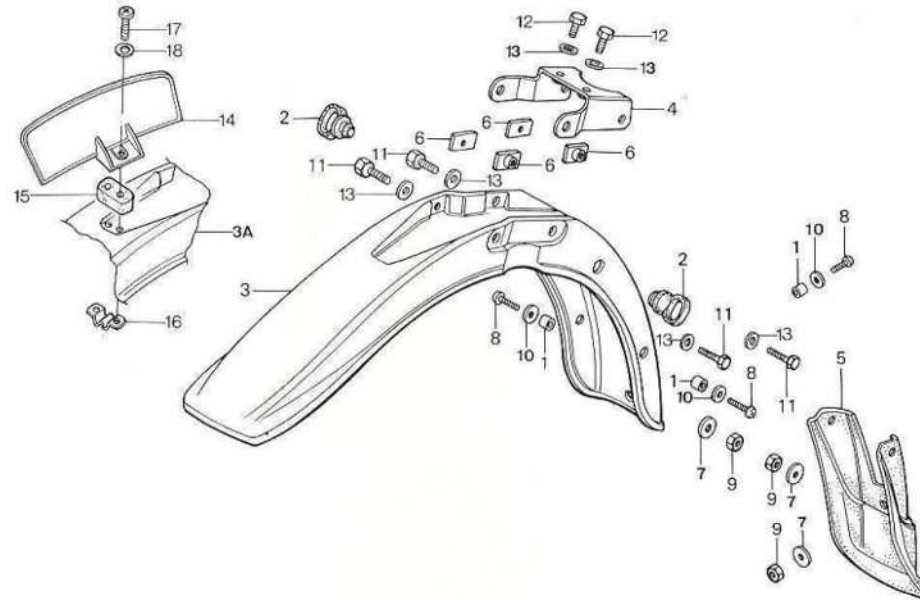
B197-14

Service item	F.R.T.	Ref. No.	Part No.	Description	Reqd. N°								Area code
					A	MA	SA	MSA	C	Sc	MSc		
FENDER FR.	0,1	1	32344-892-000	COLLAR PANEL	(3)	(3)	(3)	(3)	(3)	(3)	(3)		
• STAY FENDER FR.		2	45451-197-000	GROMMET WIRE	(2)	(2)	(2)	(2)	(2)	(2)	(2)		
• MUDGUARD FR. FENDER		* 3	61100-197-000ZA	FENDER FR. NH-24	(1)	(1)	(1)	(1)	(1)	(1)	(1)		2F, 2B, 2G, 2FI 2N, 2E, 2AR
			61100-197-000ZB	FENDER FR. R-111	(1)	(1)	(1)	(1)	(1)	(1)	(1)		2F, 2B, 2G, 2FI 2N, 2E, 2AR
			61100-197-000ZC	FENDER FR. NH-1	(1)	(1)	(1)	(1)	(1)	(1)	(1)		2F, 2B, 2G, 2FI 2N, 2E, 2AR
		* 3A	61100-197-650ZA	FENDER FR. HN-24	(1)								2H
			61100-197-650ZB	FENDER FR. R-111	(1)								2H
			61100-197-650ZC	FENDER FR. NH-1	(1)								2H
		* 4	61104-197-000ZA	STAY COMP. FR. FENDER NH 24	(1)	(1)	(1)	(1)	(1)	(1)	(1)		2H
		* 4	61104-197-000ZB	STAY COMP. FR. FENDER R-111	(1)	(1)	(1)	(1)	(1)	(1)	(1)		
			61104-197-000ZC	STAY COMP. FR. FENDER NH-1	(1)	(1)	(1)	(1)	(1)	(1)	(1)		
		* 5	61105-197-000	MUDGUARD FR. FENDER	(1)	(1)	(1)	(1)	(1)	(1)	(1)		
		6	61304-162-013	NUT HEADLIGHT SETTING	(4)	(4)	(4)	(4)	(4)	(4)	(4)		
		7	90557-538-000	FITTING WASHER FR. FENDER	(3)	(3)	(3)	(3)	(3)	(3)	(3)		
		8	93500-05012-0G	SCREW PAN 5 x 12	(3)	(3)	(3)	(3)	(3)	(3)	(3)		
		9	94001-05000-0S	NUT HEX. 5 MM	(3)	(3)	(3)	(3)	(3)	(3)	(3)		
		10	94101-05700	WASHER PLAIN 5 MM	(3)	(3)	(3)	(3)	(3)	(3)	(3)		

D 10

F-5

Front fender



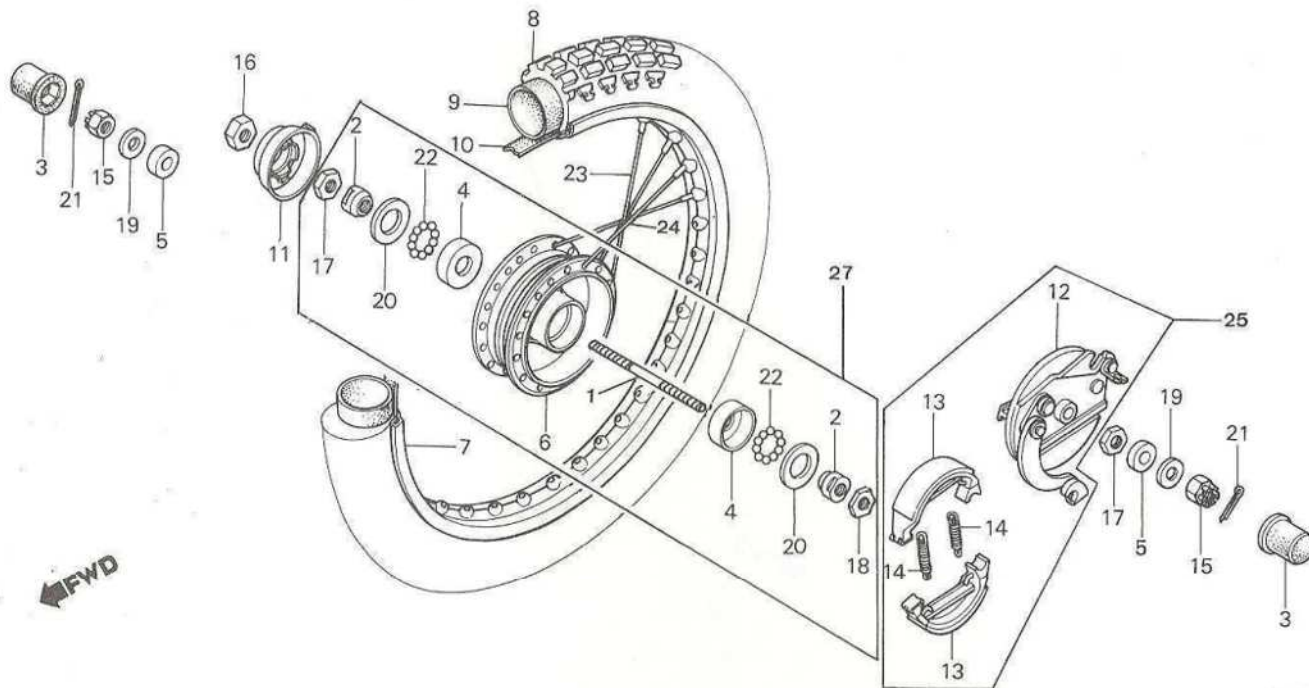
B197-14

Service item	F.R.T.	Ref. No.	Part No.	Description	Reqd. N°							Area code
					A	MA	SA	PX50 MSA	C	Sc	MSc	
		11	92000-06012-0A	BOLT HEX. 6 x 12	(4)	(4)	(4)	(4)	(4)	(4)		
		12	92000-06016-0A	BOLT HEX. 6 x 16	(2)	(2)	(2)	(2)	(2)	(2)		
		13	94101-06000	WASHER PLAIN 6 MM	(6)	(6)	(6)	(6)	(6)	(6)		
		14	87900-099-690	ORNAMENT PLATE	(1)							2H
		15	87902-197-650	RUBBER ORNT. PL. MT	(1)							2H
		16	87901-197-650	STAY. ORNT. PLATE	(1)							2H
		17	90116-197-000	SCREW PAN 4 x 25	(2)							2H
		18	94101-04000	WASHER PLAIN 4 MM	(4)							2H

D 12

F-7

Front wheel



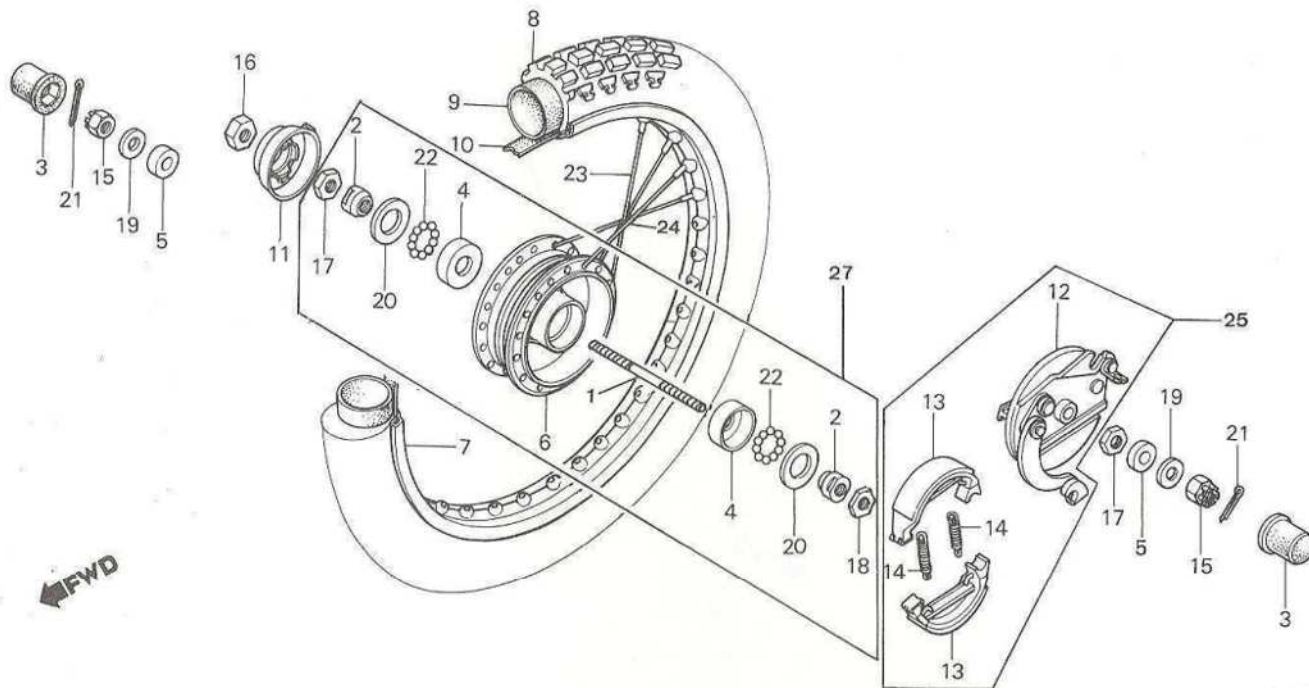
B197-16

Service item	F.R.T.	Ref. No.	Part No.	Description	Reqd. N°								Area code
					A	MA	SA	PX50 MSA	C	Sc	MSC		
AXLE FR. WHEEL	0.4	* 1	44301-148-670	AXLE FR. WHEEL	(1)	(1)	(1)	(1)	(1)	(1)	(1)		
RACE FR. WHEEL CONE	0.3	* 2	44302-093-003	RACE FR. WHEEL CONE	(2)	(2)	(2)	(2)	(2)	(2)	(2)		
• PANEL ASS. FR. BRAKE		3	44302-383-610	CAP AXLE NUT			(2)	(2)					2G
• SHOE COMP. BRAKE		* 4	44303-093-003	RACE FR. WHEEL BALL	(2)	(2)	(2)	(2)	(2)	(2)	(2)		
RACE FR. WHEEL BAAL (ADD 0.1 FOR EACH)	0.5	* 5	44311-148-010	COLLAR FR. AXLE	(2)	(2)	(2)	(2)	(2)	(2)	(2)		
HUB FR. WHEEL	2.6	* 6	44601-148-670	HUB FR. WHEEL	(1)	(1)	(1)	(1)	(1)	(1)	(1)		
TIRE FR.	0.7	* 7	44701-197-004	RIM FR. WHEEL (1.20 x 16)	(1)	(1)	(1)	(1)	(1)	(1)	(1)		
RIM FR. WHEEL	2.2	* 8	44711-197-005	TIRE FR. (2.25-16)	(1)	(1)	(1)	(1)	(1)	(1)	(1)		
• TUBE TIRE		* 9	44712-197-005	TUBE TIRE (2.25-16)	(1)	(1)	(1)	(1)	(1)	(1)	(1)		
BOX ASSY. SPEEDOMETER GEAR	0.2	10	44713-116-671	FLAP FR. TUBE (16)	(1)	(1)	(1)	(1)	(1)	(1)	(1)		
		* 11	44800-148-670	BOX ASSY SPEEDOMETER GEAR	(1)	(1)	(1)	(1)	(1)	(1)	(1)		
		* 12	45100-197-000	PANEL FR. BRAKE COMP.	(1)	(1)	(1)	(1)	(1)	(1)	(1)		
		* 13	45120-093-003	SHOE COMP. BRAKE	(2)	(2)	(2)	(2)	(2)	(2)	(2)		
		* 14	45133-093-003	SPRING SHOE BRAKE	(2)	(2)	(2)	(2)	(2)	(2)	(2)		
		15	90305-148-670	NUT. AXLE 11 MM	(2)	(2)	(2)	(2)	(2)	(2)	(2)		
		16	90312-099-003	NUT C. 11 MM	(1)	(1)	(1)	(1)	(1)	(1)	(1)		
		* 17	90313-093-003	NUT B. 11 MM	(2)	(2)	(2)	(2)	(2)	(2)	(2)		
		* 18	90314-093-003	NUT A. 11 MM	(1)	(1)	(1)	(1)	(1)	(1)	(1)		
		* 19	90503-197-000	WASHER 11 MM	(2)	(2)	(2)	(2)	(2)	(2)	(2)		
		* 20	90505-093-003	WASHER PLAIN 29.2 MM	(2)	(2)	(2)	(2)	(2)	(2)	(2)		

D 12

F-7

Front wheel



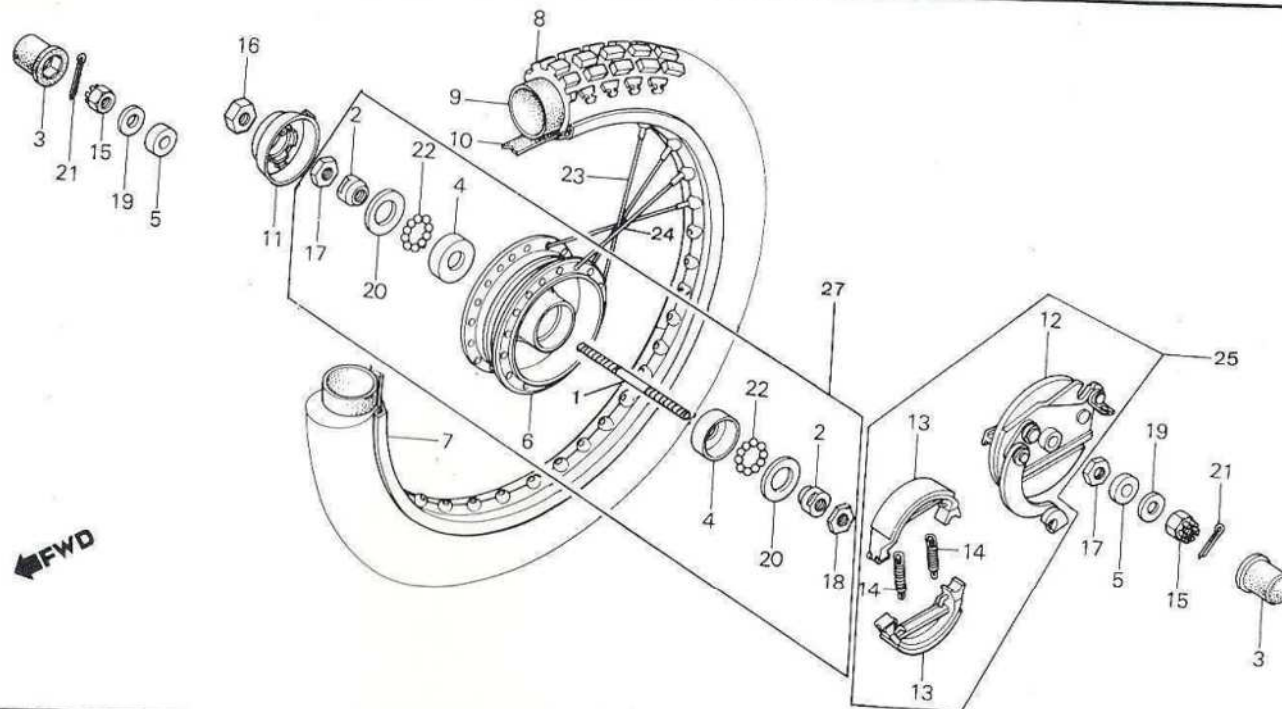
B197-16

Service item	F.R.T.	Ref. No.	Part No.	Description	Reqd. N°							Area code
					A	MA	SA	PX50 MSA	C	Sc	MSC	
AXLE FR. WHEEL	0.4	* 1	44301-148-670	AXLE FR. WHEEL	(1)	(1)	(1)	(1)	(1)	(1)	(1)	
RACE FR. WHEEL CONE	0.3	* 2	44302-093-003	RACE FR. WHEEL CONE	(2)	(2)	(2)	(2)	(2)	(2)	(2)	
• PANEL ASS. FR. BRAKE		3	44302-383-610	CAP AXLE NUT			(2)	(2)				2G
• SHOE COMP. BRAKE		* 4	44303-093-003	RACE FR. WHEEL BALL	(2)	(2)	(2)	(2)	(2)	(2)	(2)	
RACE FR. WHEEL BAAL (ADD 0.1 FOR EACH)	0.5	* 5	44311-148-010	COLLAR FR. AXLE	(2)	(2)	(2)	(2)	(2)	(2)	(2)	
HUB FR. WHEEL	2.6	* 6	44601-148-670	HUB FR. WHEEL	(1)	(1)	(1)	(1)	(1)	(1)	(1)	
TIRE FR.	0.7	* 7	44701-197-004	RIM FR. WHEEL (1.20 x 16)	(1)	(1)	(1)	(1)	(1)	(1)	(1)	
RIM FR. WHEEL	2.2	* 8	44711-197-005	TIRE FR. (2.25-16)	(1)	(1)	(1)	(1)	(1)	(1)	(1)	
• TUBE TIRE		* 9	44712-197-005	TUBE TIRE (2.25-16)	(1)	(1)	(1)	(1)	(1)	(1)	(1)	
BOX ASSY. SPEEDOMETER GEAR	0.2	10	44713-116-671	FLAP FR. TUBE (16)	(1)	(1)	(1)	(1)	(1)	(1)	(1)	
		* 11	44800-148-670	BOX ASSY SPEEDOMETER GEAR	(1)	(1)	(1)	(1)	(1)	(1)	(1)	
		* 12	45100-197-000	PANEL FR. BRAKE COMP.	(1)	(1)	(1)	(1)	(1)	(1)	(1)	
		* 13	45120-093-003	SHOE COMP. BRAKE	(2)	(2)	(2)	(2)	(2)	(2)	(2)	
		* 14	45133-093-003	SPRING SHOE BRAKE	(2)	(2)	(2)	(2)	(2)	(2)	(2)	
		15	90305-148-670	NUT. AXLE 11 MM	(2)	(2)	(2)	(2)	(2)	(2)	(2)	
		16	90312-099-003	NUT C. 11 MM	(1)	(1)	(1)	(1)	(1)	(1)	(1)	
		* 17	90313-093-003	NUT B. 11 MM	(2)	(2)	(2)	(2)	(2)	(2)	(2)	
		* 18	90314-093-003	NUT A. 11 MM	(1)	(1)	(1)	(1)	(1)	(1)	(1)	
		* 19	90503-197-000	WASHER 11 MM	(2)	(2)	(2)	(2)	(2)	(2)	(2)	
		* 20	90505-093-003	WASHER PLAIN 29.2 MM	(2)	(2)	(2)	(2)	(2)	(2)	(2)	

D 13

F-7

Front wheel



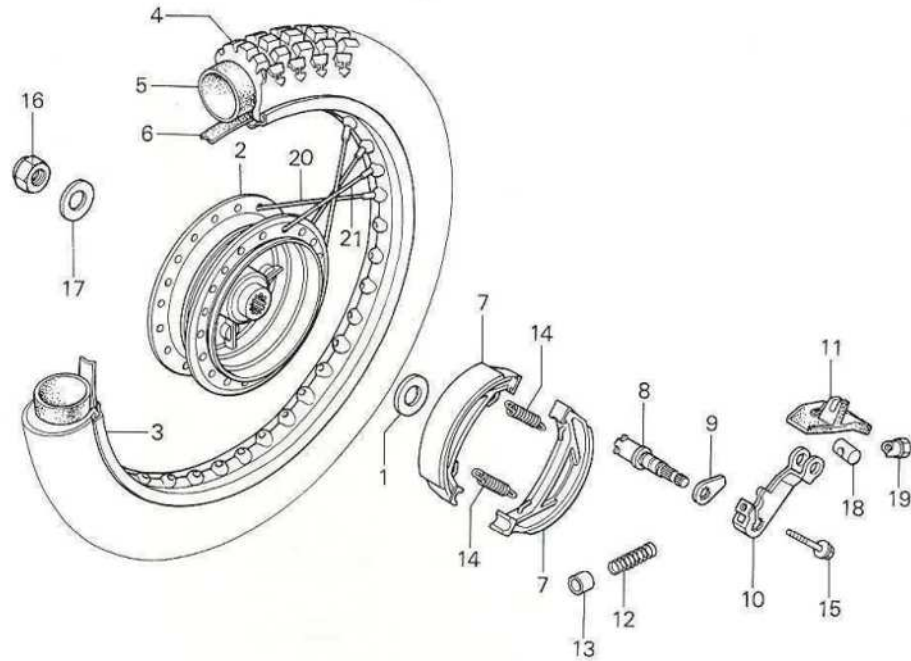
B197-15

Service item	F.R.T.	Ref. No.	Part No.	Description	Reqd. N°							Area code
					A	MA	SA	MSA	c	Sc	MSc	
		21	94201-30250	PIN. SPLIT 3.0 x 25	(2)	(2)	(2)	(2)	(2)	(2)	(2)	COCERN NRS. 7-10-23-24-27
		22	96211-07000	BALL STEEL 7(7/32)	(22)	(22)	(22)	(22)	(22)	(22)	(22)	
		23	97168-11152-B0	SPOKE SET A-13 x 156	(18)	(18)	(18)	(18)	(18)	(18)	(18)	
		24	97212-11151-B0	SPOKE SET A 13 x 155.5	(18)	(18)	(18)	(18)	(18)	(18)	(18)	
		25	45000-197-000	PANEL ASSY FR. BRAKE	(1)	(1)	(1)	(1)	(1)	(1)	(1)	
		26	44630-197-000	WHEEL SUB ASSY FRONT	(1)	(1)	(1)	(1)	(1)	(1)	(1)	
		27	44610-148-670	HUB FR. WHEEL COMP.	(1)	(1)	(1)	(1)	(1)	(1)	(1)	

D 14

F-8

Rear wheel



← FWD

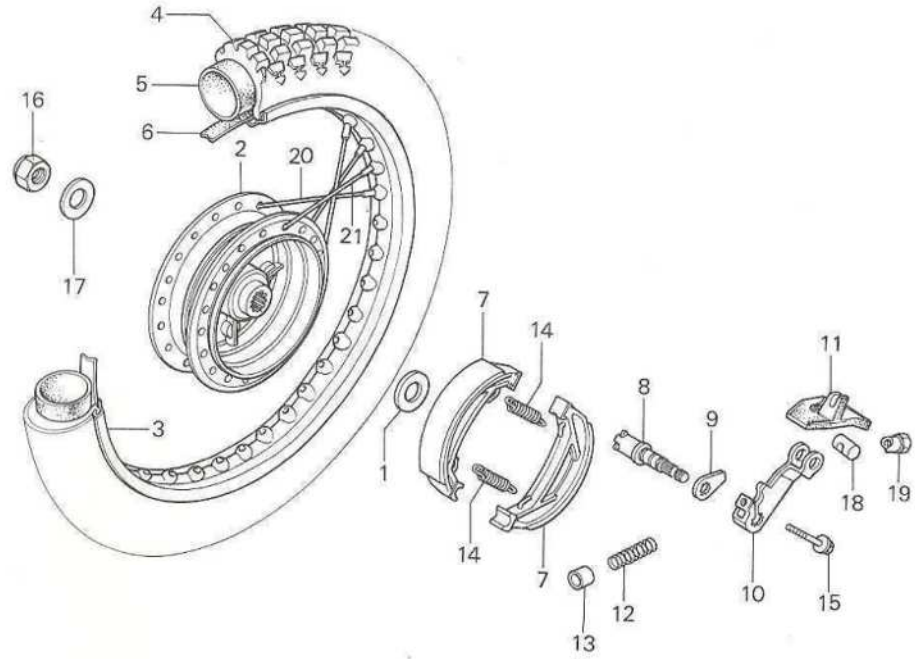
Service item	F.R.T.	Ref. No.	Part No.	Description	Reqd. N°							Area code
					A	MA	SA	PX50 MSA	c	Sc	MSC	
HUB COMP. RR. WHEEL	2.2	* 1	42312-444-000	WASHER PLAIN 17 MM	1	1	1	1	1	1	1	
• RIM RR. WHEEL		* 2	42601-197-004	HUB COMP. RR. WHEEL	(1)	(1)	(1)	(1)	(1)	(1)	(1)	2B, 2F, 2G
TIRE RR.	0.6											2AR, 2E, 2N
• TUBE TIRE		*	42601-197-651	HUB COMP. RR. WHEEL	(1)				(1)			2H, 2FI
SHOE COMP. RR. BRAKE	0.3	* 3	42701-197-004	RIM RR. WHEEL 1.5 x 14	(1)	(1)	(1)	(1)	(1)	(1)	(1)	2B, 2F, 2G, 2AR, 2E, 2N
CAM RR. BRAKE	0.4	*	44701-197-004	RIM RR. WHEEL 1.2 x 16	(1)				(1)			2H, 2FI
ARM RR. BRAKE	0.1	* 4	42711-197-005	TIRE RR. (2.75-14)	(1)	(1)	(1)	(1)	(1)	(1)	(1)	2B, 2F, 2G
			44711-197-005	TIRE FR. (2.25-16)	(1)				(1)			2AR, 2E, 2N
		5	42712-121-692	TUBE TIRE	(1)	(1)	(1)	(1)	(1)	(1)	(1)	2H, 2FI
		*	44712-197-005	TUBE TIRE (2.25-16)	(1)				(1)			2B, 2F, 2G, 2AR, 2E, 2N
		6	42713-116-671	FLAP RR. TUBE (14)	(1)	(1)	(1)	(1)	(1)	(1)	(1)	2H, 2FI
			44713-116-671	FLAP FR. TUBE (16)	(1)				(1)			2H, 2FI
		* 7	43120-197-004	SHOE COMP. RR. BRAKE	(2)	(2)	(2)	(2)	(2)	(2)	(2)	
		8	43141-187-000	CAM RR. BRAKE	(1)	(1)	(1)	(1)	(1)	(1)	(1)	
		9	43145-197-000	INDICATOR RR. BRAKE	(1)	(1)	(1)	(1)	(1)	(1)	(1)	
		* 10	43410-197-000	ARM RR. BRAKE	1	1	1	1				

D 15

F-8

Rear wheel

←FWD



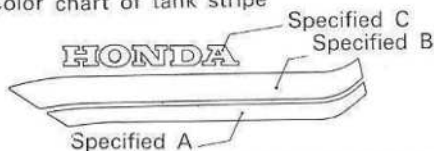
Service item	F.R.T.	Ref. No.	Part No.	Description	Reqd. N°								Area code	
					A	MA	SA	PX50 MSA	C	Sc	MSc			
		*	11 43411-197-000	COVER RR. BRAKE ARM	(1)	(1)	(1)	(1)	(1)	(1)	(1)			
			12 43472-161-000	SPRING RR. BRAKE ARM	(1)	(1)	(1)	(1)	(1)	(1)	(1)			
			13 43473-187-000	GUIDE RETURN SPRING	(1)	(1)	(1)	(1)	(1)	(1)	(1)			
		*	14 45133-093-003	SPRING BRAKE SHOE	(2)	(2)	(2)	(2)	(2)	(2)	(2)			
			15 90112-187-000	BOLT FLANGE 5 x 25	1	1	1	1	1	1	1			
			16 90305-197-003	NUT. AXLE 14 MM	(1)	(1)	(1)	(1)	(1)	(1)	(1)			
			17 90501-447-000	WASHER RR. FORK	(1)	(1)	(1)	(1)	(1)	(1)	(1)			
			18 95015-31001	JOINT, A. BRAKE ARM	(1)	(1)	(1)	(1)	(1)	(1)	(1)			
			19 95015-41000	NUT A., BRAKE ROD ADJUST	(1)	(1)	(1)	(1)	(1)	(1)	(1)			
			20 97116-21096-F0	SPOKE SET A. 12 x 18	18	18	18	18	(18)	(18)	(18)		2B, 2F, 2G, 2AR 2E, 2N	
			97116-21140-F0	SPOKE SET A. 12 x 150	18				(18)				2H, 2FI	
		21	97212-21139-F0	SPOKE SET A 12 x 149.5	(18)				(18)				2H, 2FI	
			97268-21095-F0	SPOKE SET A 12 x 127.5	(18)	(18)	(18)	(18)	(18)	(18)	(18)		2B, 2F, 2G, 2AR 2E, 2N	
			22 42630-197-000	WHEEL SUB ASSY REAR	(1)	(1)	(1)	(1)	(1)	(1)	(1)		2B, 2F, 2G, 2AR 2E, 2N	
			42630-197-650	WHEEL SUB ASSY REAR	(1)				(1)				2H, 2FI	
			(Nr 22 concerns nrs 2-3-6-20-21)											

D 16

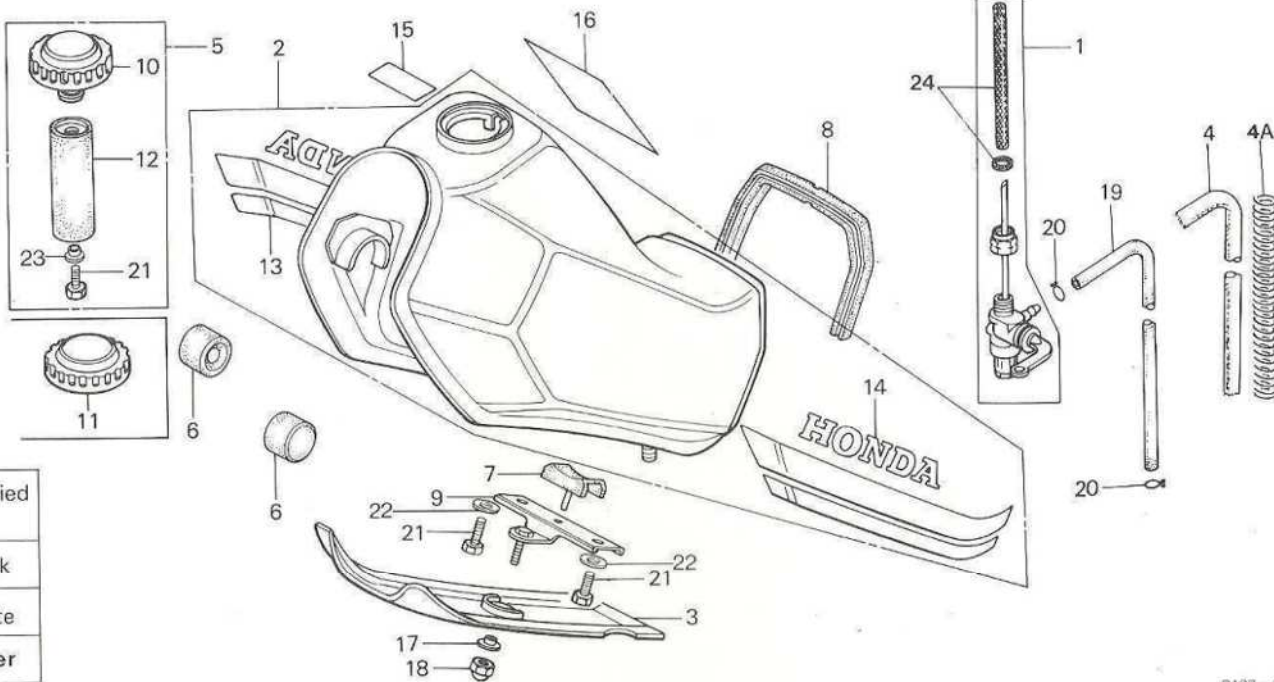
F-9

Fuel tank

Color chart of tank stripe



Specified color Type of stripe	Specified A	Specified B	Specified C
Type A	Blue	Red	Black
Type B	Blue	White	White
Type C	Red	Silver	Silver



B197-18

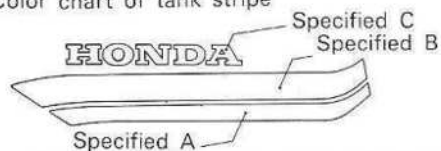
Service item	F.R.T.	Ref. No.	Part No.	Description	Reqd. N°							Area code
					A	MA	SA	PX50 MSA	C	Sc	MSc	
COCK ASSY FUEL	0.2	*	1 16950-197-000	COCK ASSY FUEL	(1)	(1)	(1)	(1)	(1)	(1)	(1)	
INC. RELATIVE PART		*	2 17520-197-000ZA	TANK SUB ASSY FUEL NH24	(1)	(1)	(1)	(1)	(1)	(1)	(1)	
TANK SUB ASSY FUEL	0.3		17520-197-000ZB	TANK SUB ASSY FUEL R111	(1)	(1)	(1)	(1)	(1)	(1)	(1)	
STAY RR. FUEL TANK SETTING	0.1		17520-197-000ZC	TANK SUB ASSY FUEL NH-1	(1)	(1)	(1)	(1)	(1)	(1)	(1)	
* TUBE FUEL 4.5 x 300		*	3 17521-197-000	COVER FUEL TANK UNDER	(1)	(1)	(1)	(1)	(1)	(1)	(1)	
		*	4 17532-197-000	GUARD FUEL TUBE	(1)	(1)	(1)	(1)	(1)	(1)	(1)	
		4A	17533-197-000	SPG FUEL TUBE COVER	(1)	(1)	(1)	(1)	(1)	(1)	(1)	
		*	5 17610-197-000	CAP ASSY FUEL	(1)		(1)		(1)	(1)		2F, 2H, 2FI, 2N 2AR
		*	6 17611-197-000	CUSHION FR. FUEL TANK	(2)	(2)	(2)	(2)	(2)	(2)	(2)	
		*	7 17612-197-000	CUSHION FUEL TANK CENTER	(1)	(1)	(1)	(1)	(1)	(1)	(1)	
		*	8 17613-197-000	CUSHION RR. FUEL TANK	(1)	(1)	(1)	(1)	(1)	(1)	(1)	
		*	9 17615-197-000ZA	STAY RR. FUEL TANK SETTING (NH 105)	(1)	(1)	(1)	(1)	(1)	(1)	(1)	
		*	10 17620-197-000	CAP COMP. FUEL TANK	(1)		(1)		(1)	(1)		2F, 2H, 2FI, 2N, 2AR
		*	11 17620-197-610	CAP COMP. FUEL TANK	(1)	(1)		(1)	(1)	(1)	(1)	2G, 2B, 2E
		*	12 17626-197-000	CUP. MEASURE	(1)		(1)		(1)	(1)		2F, 2H, 2FI, 2N, 2AR
		*	13 87111-197-300ZA	STRIPE R. FUEL TANK TYPE A	(1)	(1)	(1)	(1)	(1)	(1)	(1)	
SEE SPECIFIED COLOR CHART ABOVE			87111-197-300ZB	STRIPE R. FUEL TANK TYPE B	(1)	(1)	(1)	(1)	(1)	(1)	(1)	
			87111-197-300ZC	STRIPE R. FUEL TANK TYPE C	(1)	(1)	(1)	(1)	(1)	(1)	(1)	

D 17

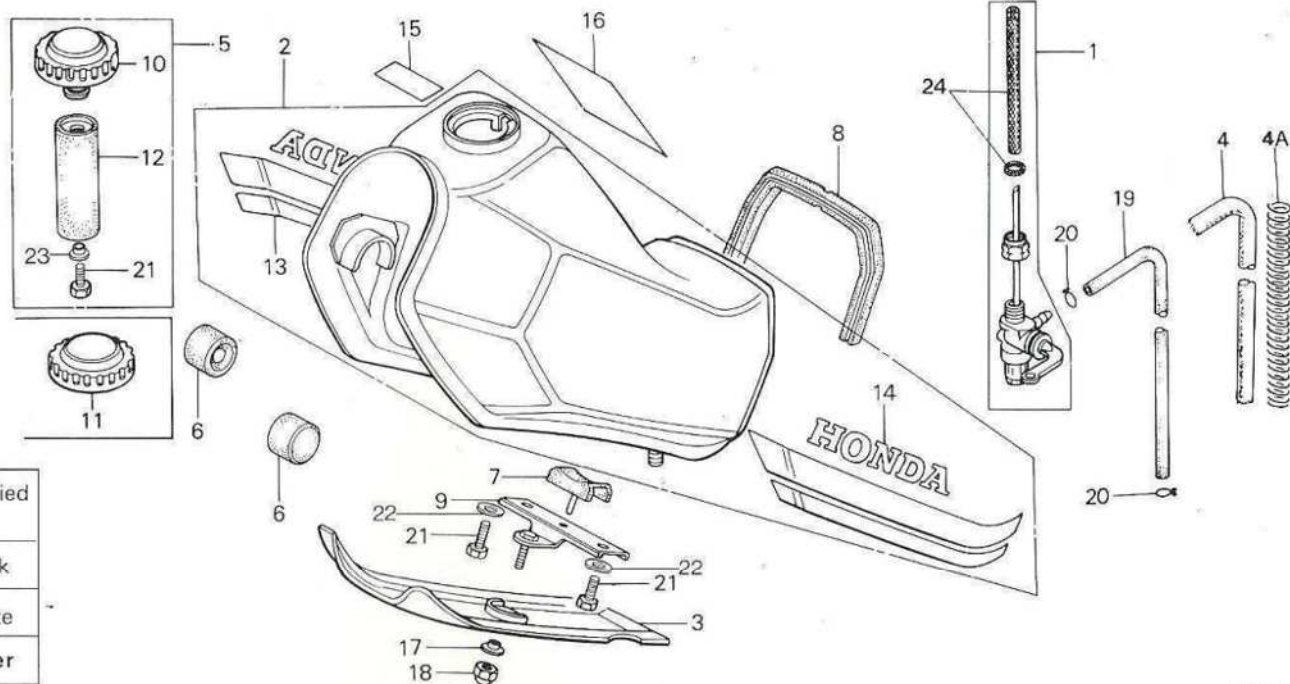
F-9

Fuel tank

Color chart of tank stripe



Specified color Type of stripe	Specified A	Specified B	Specified C
Type A	Blue	Red	Black
Type B	Blue	White	White
Type C	Red	Silver	Silver



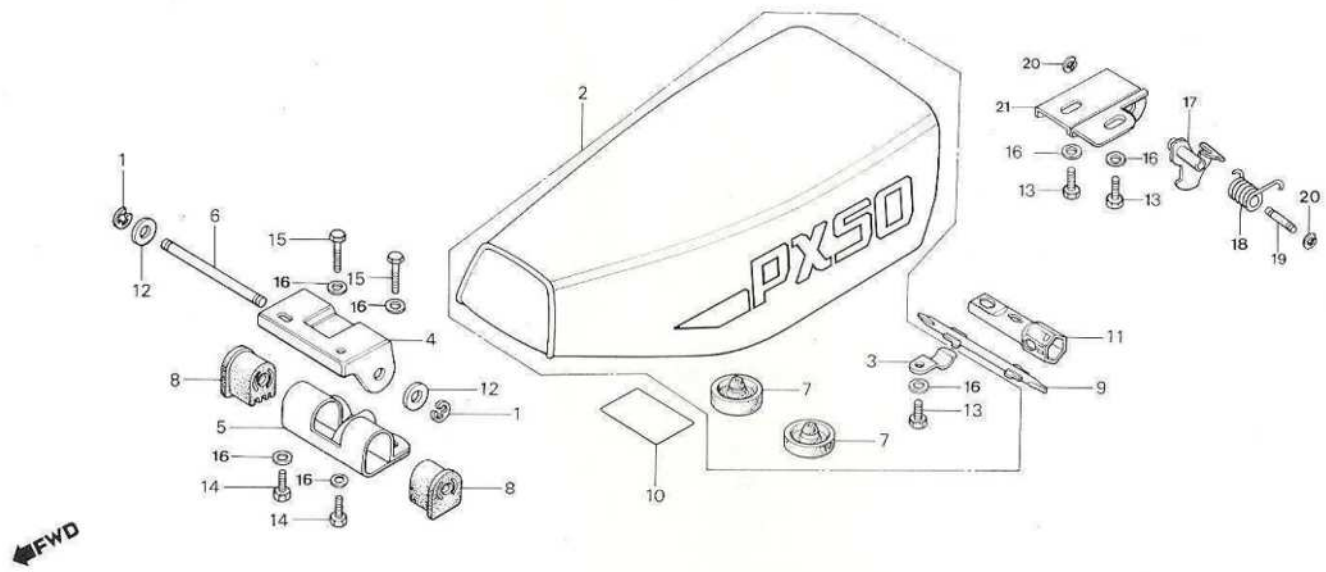
B197 18

Service item	F.R.T.	Ref. No.	Part No.	Description	Reqd. N°							Area code
					A	MA	SA	PX50 MSA	c	Sc	MSc	
SEE SPECIFIED COLOR CHART ABOVE	}	* 14	87112-197-300ZA	STRIPE L. FUEL TANK TYPE A	(1)	(1)	(1)	(1)	(1)	(1)	(1)	
			87112-197-300ZB	STRIPE L. FUEL TANK TYPE B	(1)	(1)	(1)	(1)	(1)	(1)	(1)	
			87112-197-300ZC	STRIPE L. FUEL TANK TYPE C	(1)	(1)	(1)	(1)	(1)	(1)	(1)	
		* 15	87515-197-620	LABEL. OIL CAUTION	(1)		(1)					2F
			87515-197-650	LABEL. OIL CAUTION	1				(1)	(1)		2H, 2Fi, 2N, 2AR
		* 16	87560-197-620	LABEL FRENCH TRANSLAT.	(1)		(1)					2F
		17	90522-170-700	COLLAR GEARSHIFT LEVER SETTING	1	1	1	1	1	1	1	
		18	94021-06000	NUT CAP 6 MM	1	1	1	1	1	1	1	
		19	95001-45300-40	TUBE FUEL 4.5 x 300	1	1	1	1	1	1	1	
		20	95002-02080	CLIP B8. TUBE	2	2	2	2	2	2	2	
	21	92000-06010-0A	BOLT HEX. 6 x 10	(3)		(3)		(3)	(3)		2F, 2H, 2Fi, 2N, 2AR	
				(2)	(2)		(2)	(2)	(2)	(2)	2B, 2G, 2E	
	22	94101-06000	WASHER PLAIN 6 MM	(2)	(2)	(2)	(2)	(2)	(2)	(2)		
	23	90556-197-000	WASHER MEASURE CUP SETT.	(1)		(1)		(1)	(1)		2F, 2H, 2Fi, 2N, 2AR	
	24	16960-197-000	STRAINER COMP.	(1)	(1)	(1)	(1)	(1)	(1)	(1)		

D 18

F-10

Seat

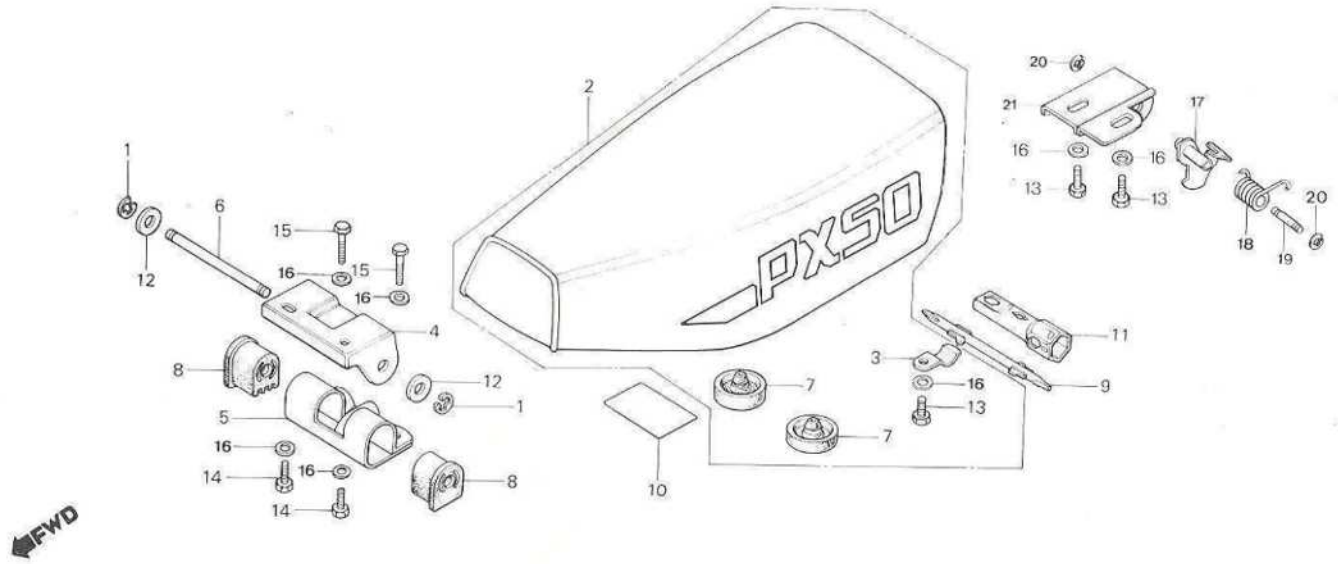


Service item	F.R.T.	Ref. No.	Part No.	Description	Reqd. N°							Area code
					A	MA	SA	PX50 MSA	C	Sc	MSC	
SEAT	0.1	*	1 73146-538-000	E-CLIP	(2)	(2)	(2)	(2)	(2)	(2)	(2)	
* HINGE A. SEAT		*	2 77100-197-010	SEAT COMP.	(1)	(1)	(1)	(1)	(1)	(1)	(1)	
HINGE B. SEAT	0.2		3 77136-197-000	PLATE TOOL SET	(1)	(1)	(1)	(1)	(1)	(1)	(1)	
		*	4 77201-197-000ZA	HINGE A. COMP SEAT NH105	(1)	(1)	(1)	(1)	(1)	(1)	(1)	
		*	5 77202-197-000ZA	HINGE B. COMP SEAT NH105	(1)	(1)	(1)	(1)	(1)	(1)	(1)	
		*	6 77203-197-000	PIN SEAT HINGE	(1)	(1)	(1)	(1)	(1)	(1)	(1)	
			7 77211-081-680	RUBBER SEAT STOPPER	(2)	(2)	(2)	(2)	(2)	(2)	(2)	
		*	8 77218-197-000	RUBBER SEAT MOUNTING	(2)	(2)	(2)	(2)	(2)	(2)	(2)	
			9 83513-197-000	DRIVER	1	1	1	1	1	1	1	
		* 10	87506-197-610	MARK. BATTERY CAUTION		(1)		(1)		(1)		2G, 2AR
		*	87506-197-620	MARK. BATTERY CAUTION	(1)	(1)	(1)			(1)	(1)	2F, 2B
			87506-197-640	MARK. BATTERY CAUTION	(1)	(1)				(1)	(1)	2B, 2H
			87506-197-730	MARK. BATTERY CAUTION					(1)			2E, 2N, 2FI
			11 89216-197-000	WRENCH BOX P21	1	1	1	1	1	1	1	
			12 94101-08000	WASHER PLAIN 8 MM	(2)	(2)	(2)	(2)	(2)	(2)	(2)	
			13 92000-06010-0A	BOLT HEX 6 x 10	(1)	(1)	(1)	(1)	(1)	(1)	(1)	
			14 92000-06012-0A	BOLT HEX 6 x 12	(2)	(2)	(2)	(2)	(2)	(2)	(2)	
			15 92000-06016-0A	BOLT HEX 6 x 16	(2)	(2)	(2)	(2)	(2)	(2)	(2)	
			16 94101-06000	WASHER PLAIN 6 MM	(7)	(7)	(7)	(7)	(7)	(7)	(7)	

D 19

F-10

Seat



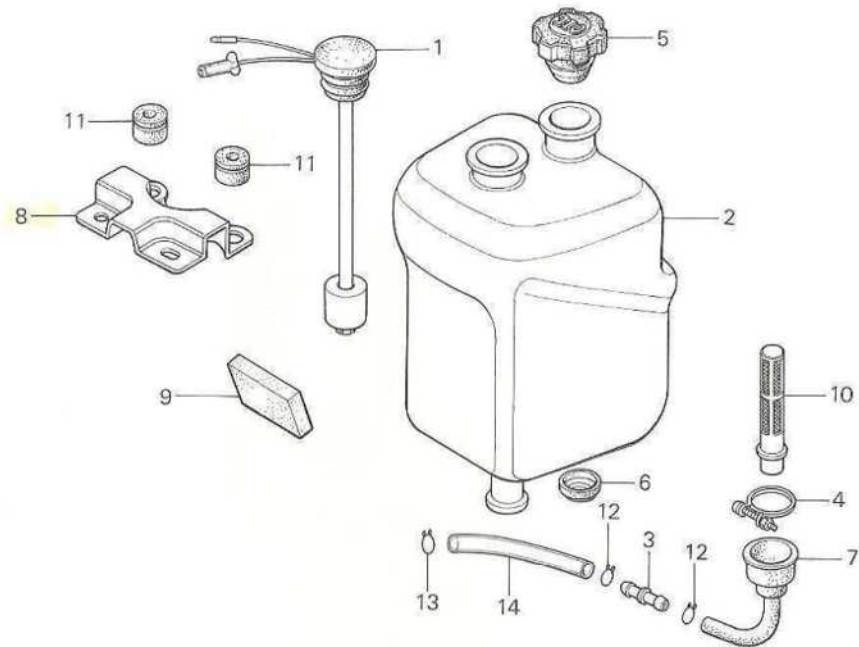
Service item	F.R.T.	Ref. No.	Part No.	Description	Reqd. N°							Area code
					A	MA	SA	PX50 MSA	C	Sc	MSc	
		* 17	77150-197-010	HOOK COMP. SEAT CATCH	(1)	(1)	(1)	(1)	(1)	(1)	(1)	
		18	77153-197-000	SPRING. SEAT CATCH	(1)	(1)	(1)	(1)	(1)	(1)	(1)	
		19	77155-197-000	SHAFT. SEAT CATCH	(1)	(1)	(1)	(1)	(1)	(1)	(1)	
		20	77156-197-000	CLIP E TYPE 4 MM	(2)	(2)	(2)	(2)	(2)	(2)	(2)	
		21	77160-197-010	BRKT. SEAT CATCH PIVOT	(1)	(1)	(1)	(1)	(1)	(1)	(1)	

D 20

F-11

Oil tank

FWD



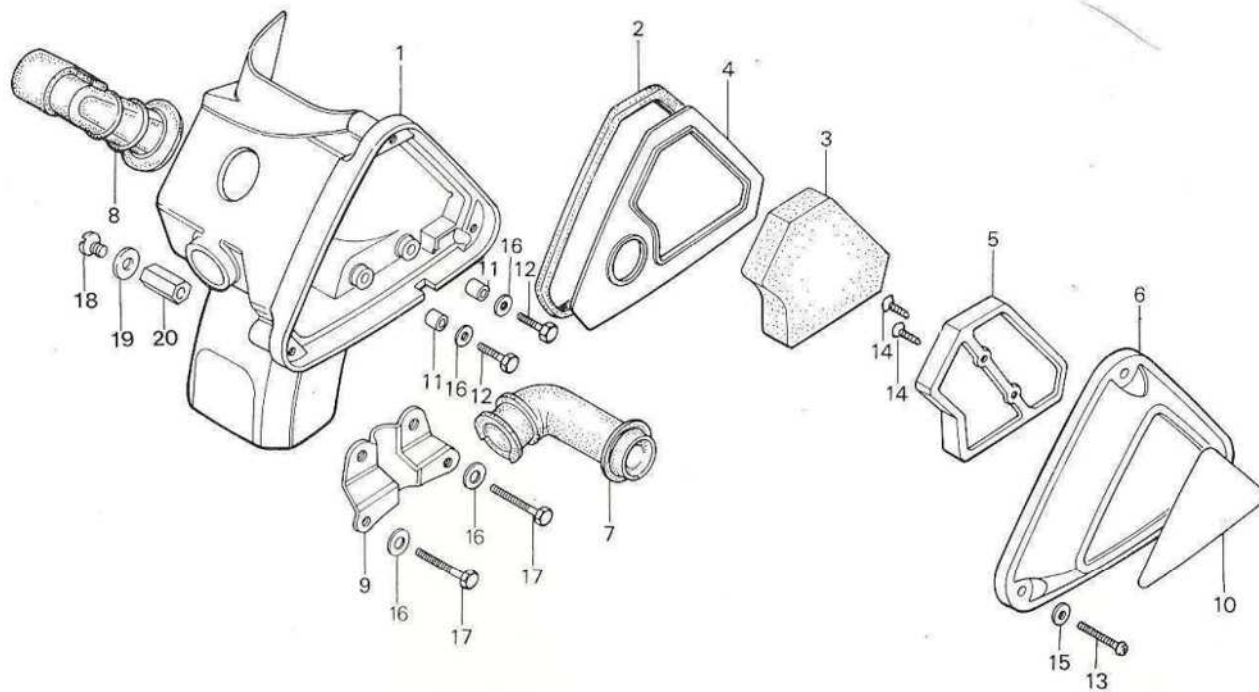
8197-20

Service item	F.R.T.	Ref. No.	Part No.	Description	Reqd. N°							Area code
					A	MA	SA	MSA	C	Sc	MSc	
SWITCH ASSY. OIL LEVEL	0.1	1	35410-197-003	SWITCH ASSY. OIL LEVEL	1	1		1	1	1	1	2B, 2G, 2E
TANK OIL	0.4	* 2	55100-197-610	TANK OIL	(1)	(1)		(1)	(1)	(1)	(1)	2B, 2G, 2E
	(0.5)	3	55102-166-000	JOINT. OIL TUBE	1	1		1	1	1	1	2B, 2G, 2E
SCREEN OIL STRAINER	0.4	4	55104-166-000	CLIP. OIL TUBE	(1)	(1)		(1)	(1)	(1)	(1)	2B, 2G, 2E
	(0.5)	5	55105-147-000	CAP COMP. OIL	(1)	(1)		(1)	(1)	(1)	(1)	2B, 2G, 2E
		* 6	55107-197-610	CUSHION OIL TANK	(1)	(1)		(1)	(1)	(1)	(1)	2B, 2G, 2E
		7	55108-197-610	JOINT OIL STRAINER	1	1		1	1	1	1	2B, 2G, 2E
() WITH STARTER MOTOR TYPE		* 8	55110-197-610ZA	HOLDER OIL TANK NH105	(1)	(1)		(1)	(1)	(1)	(1)	2B, 2G, 2E
		* 9	55111-197-610	STOPPER OIL TANK	(1)	(1)		(1)	(1)	(1)	(1)	2B, 2G, 2E
		10	55121-166-000	SCREEN OIL STRAINER	1	1		1	1	1	1	2B, 2G, 2E
		11	84905-118-000	RUBBER NUMBER. BRACKET CUSHION	2	2		2	2	2	2	2B, 2G, 2E
		12	95002-02100	CLIP B10 TUBE	2	2		2	2	2	2	2B, 2G, 2E
		13	95002-50000	CLIP C9 TUBE	(1)	(1)		(1)	(1)	(1)	(1)	2B, 2G, 2E
		14	95003-11010-31	TUBE VINYL 5 x 9 x 100	1	1		1	1	1	1	2B, 2G, 2E

D 21

F-12

Air cleaner



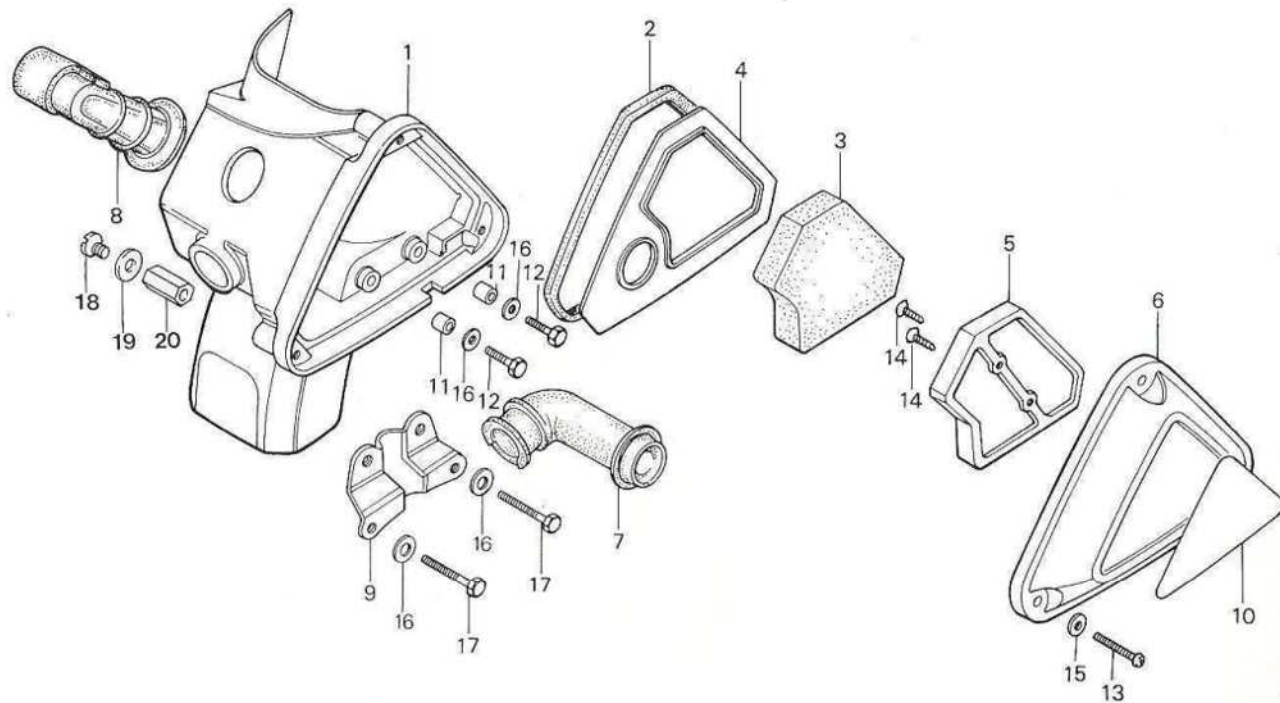
B197-21

Service item	F.R.T.	Ref. No.	Part No.	Description	Reqd. N°							Area code
					A	MA	SA	PX50 MSA	C	Sc	MSC	
CASE, AIR CLEANER	0.3	* 1	17202-197-000	CASE, AIR CLEANER	(1)	(1)	(1)	(1)	(1)	(1)	(1)	
• JOINT, AIR CLEANER SEAL		* 2	17204-197-000	SEAL, ELEMENT	(1)	(1)	(1)	(1)	(1)	(1)	(1)	
ELEMENT, AIR CLEANER	0.1	* 3	17205-197-000	ELEMENT, AIR CLEANER	1	1	1	1	1	1	1	
• COVER, AIR CLEANER		* 4	17206-197-000	SEPARATOR, AIR CLEANER ELEMENT	(1)	(1)	(1)	(1)	(1)	(1)	(1)	
• TUBE, AIR CLEANER		* 5	17207-197-000	HOLDER, AIR CLEANER ELEMENT	(1)	(1)	(1)	(1)	(1)	(1)	(1)	
		* 6	17208-197-000	COVER, AIR CLEANER	(1)	(1)	(1)	(1)	(1)	(1)	(1)	
		* 7	17222-197-000	JOINT, AIR CLEANER SEAL	(1)	(1)	(1)	(1)	(1)	(1)	(1)	
		* 8	17254-197-000	TUBE, AIR CLEANER	(1)	(1)	(1)	(1)	(1)	(1)	(1)	
		* 9	17261-197-000	STAY, AIR CLEANER		(1)	(1)	(1)	(1)	(1)	(1)	
		* 10	87507-197-610	MARK, AIR CLEANER CAUTION		(1)		(1)		(1)		2G, 2AR
			87507-197-620	MARK, AIR CLEANER CAUTION	(1)	(1)	(1)			(1)	(1)	2F, 2B
			87507-197-640	MARK, AIR CLEANER CAUTION	(1)	(1)				(1)	(1)	2B, 2H
			87507-197-730	MARK, AIR CLEANER CAUTION					(1)			2E, 2N, 2FI
		11	90325-197-000	COLLAR, RR. MUDGUARD	(2)	(2)	(2)	(2)	(2)	(2)	(2)	
		12	92000-06016-0R	BOLT, HEX. 6 x 16	(2)	(2)	(2)	(2)	(2)	(2)	(2)	
		13	93500-05025-0G	SCREW, PAN. 5 x 25	(3)	(3)	(3)	(3)	(3)	(3)	(3)	
		14	93902-25220	SCREW, TAPPING 5 x 12	(2)	(2)	(2)	(2)	(2)	(2)	(2)	
		15	94101-05700	WASHER, PLAIN, 5 MM	(3)	(3)	(3)	(3)	(3)	(3)	(3)	

D 22

F-12

Air cleaner



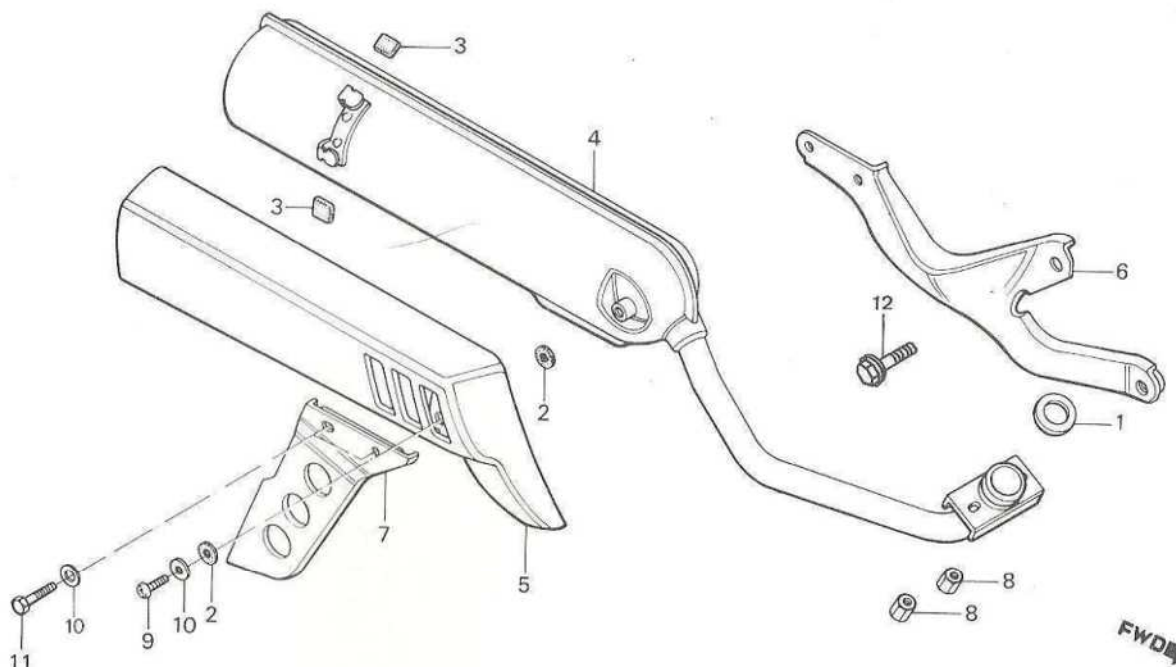
B197-21

Service item	F.R.T.	Ref. No.	Part No.	Description	Reqd. N°							Area code
					A	MA	SA	MSA	C	Sc	MSc	
		16	94101-06000	WASHER, PLAIN, 6 MM	(4)	(4)	(4)	(4)	(4)	(4)	(4)	
		17	92000-06020-0A	BOLT, HEX. 6 x 20	(2)	(2)	(2)	(2)	(2)	(2)	(2)	
		18	93500-05006-0A	SCREW PAN, 5 x 6 MM	(3)	(3)	(3)	(3)	(3)	(3)	(3)	
		19	17215-197-000	WASHER 5,5 x 12 MM	(3)	(3)	(3)	(3)	(3)	(3)	(3)	
		20	17213-197-000	NUT, 5 x 14,5 MM	(3)	(3)	(3)	(3)	(3)	(3)	(3)	

D 23

F-13

Exhaust muffler



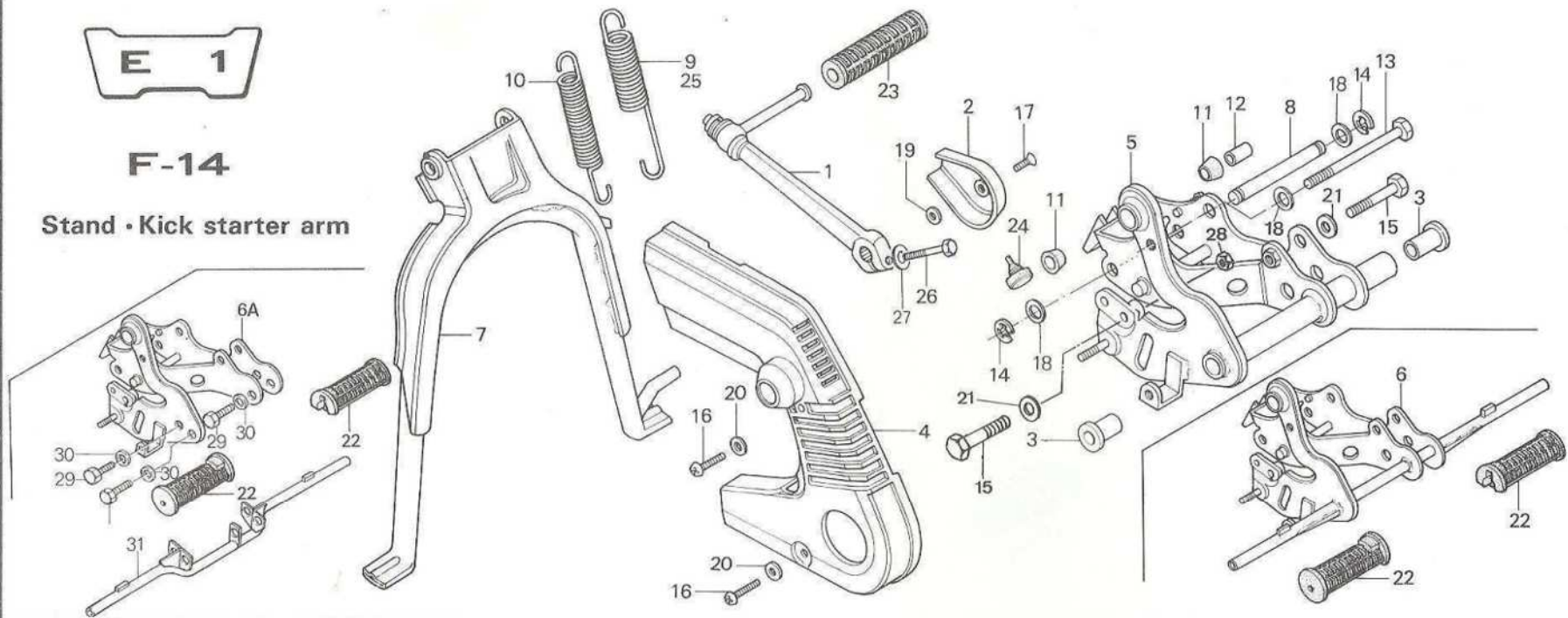
8197-22

Service item	F.R.T.	Ref. No.	Part No.	Description	Reqd. N°							Area code	
					A	MA	SA	PX50 MSA	C	Sc	MSC		
GASKET, EX. PIPE	0.1	1	18291-122-000	GASKET, EX. PIPE	(1)					(1)		2B	
			18291-148-630	GASKET, EX. PIPE	(1)		(1)		(1)	(1)		2F, 2N, 2E, 2AR	
• PROTECTOR, MUFFLER			18291-148-640	GASKET, EX. PIPE	(1)	(1)		(1)	(1)	(1)		2H, 2FI	
• STAY, MUFFLER		2	18292-329-000	PACKING, PROTECTOR	(2)	(2)	(2)	(2)	(2)	(2)	(2)		
• PLATE, CHAIN GUARD MUFFLER COMP., EX.	0.2	3	18293-147-000	RUBBER, PROTECTOR PACKING	(2)	(2)	(2)	(2)	(2)	(2)	(2)		
		* 4	18310-197-000ZA	MUFFLER COMP., EX. NH106	(1)		(1)			(1)		2F, 2AR	
		* 4	18310-197-610ZA	MUFFLER COMP., EX. NH106		(1)		(1)				2G	
		* 4	18310-197-640ZA	MUFFLER COMP., EX. NH106	(1)					(1)		2B	
		* 4	18310-197-650ZA	MUFFLER COMP., EX. NH106	(1)							2H	
			18310-197-680ZA	MUFFLER COMP., EX. NH106		(1)					(1)	2B	
			18310-197-740ZA	MUFFLER COMP., EXH. NH 106						(1)		2N, 2E	
			18310-197-760ZA	MUFFLER COMP., EX. NH106					(1)			2FI	
		* 5	18318-197-000ZA	PROTECTOR, MUFFLER NH106	(1)	(1)	(1)	(1)	(1)	(1)	(1)		
		* 6	18319-197-000ZA	STAY, MUFFLER NH105	(1)	(1)	(1)	(1)	(1)	(1)	(1)		2F, 2G, 2H
		* 7	40515-197-000ZA	PLATE, CHAIN GUARD NH105	(1)	(1)	(1)	(1)				(1)	2B
		* 8	90105-148-000	NUT, EX. PIPE JOINT	(2)	(2)	(2)	(2)	(2)	(2)	(2)	(2)	
	9	93500-08012-0G	SCREW, PAN, 6 x 12	(1)	(1)	(1)	(1)	(1)	(1)	(1)	(1)		
	10	94101-06700	WASHER, PLAIN, 6 MM	(3)	(3)	(3)	(3)	(3)	(3)	(3)	(3)		
	11	92000-06016-0G	BOLT, HEX. 6 x 16	(2)	(2)	(2)	(2)	(2)	(2)	(2)	(2)		
	12	95700-08025-00	BOLT, FLANGE, 8 x 25	1	1	1	1	1	1	1	1		

E 1

F-14

Stand · Kick starter arm

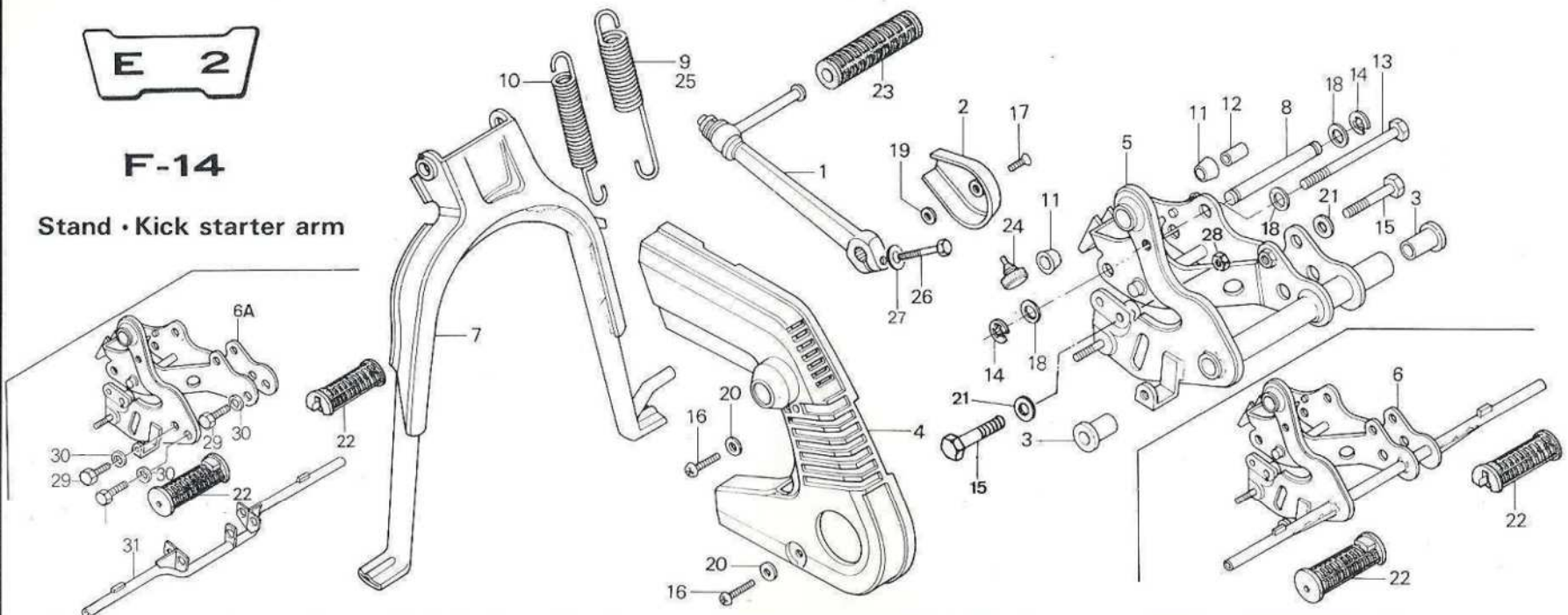


Service item	F.R.T.	Ref. No.	Part No.	Description	Reqd. N°							Area code
					A	MA	SA	MSA	C	Sc	MSc	
ARM ASSY. KICK STARTER	0.1	1	28300-197-000	ARM ASS. KICK STARTER	1	1	1	1	1	1	1	
• SPRING MAIN STAND		2	28310-197-000	COVER KICK STARTER	(1)	(1)	(1)	(1)	(1)	(1)	(1)	
PIVOT COMP PEDAL	0.4	* 3	40234-197-000	BUSH DRIVE SHAFT	(2)	(2)	(2)	(2)			(2)	2F, 2G, 2H 2B
	(0.5)					(2)					(2)	
STAND COMP. MAIN	0.2	* 4	40510-197-000	COVER CHAIN	(1)	(1)	(1)	(1)	(1)	(1)	(1)	
		* 5	50130-197-000ZA	PIVOT COMP PEDAL NH105	(1)	(1)	(1)	(1)			(1)	2F, 2G, 2H 2B
						(1)					(1)	2B
		* 6	50130-197-640ZA	PIVOT COMP PEDAL NH105	(1)						(1)	2B
		* 6A	50130-197-740ZA	PIVOT COMP PEDAL NH105					(1)	(1)		2AR, 2E, 2N, 2FI
		* 7	50500-197-000ZA	STAND COMP. MAIN NH105	(1)	(1)	(1)	(1)	(1)	(1)	(1)	2B, 2F, 2G, 2AR 2E, 2N 2H, 2FI
		* 50500-197-650ZA	STAND COMP. MAIN NH105		(1)					(1)		
		* 8	50501-197-000	SHAFT MAIN STAND	(1)	(1)	(1)	(1)	(1)	(1)	(1)	
		* 9	50522-197-610	SPRING MAIN STAND		(1)		(1)				2G
		* 10	50523-197-610	SUB SPRING MAIN STAND		(1)		(1)				2G
		11	52144-027-000	BUSH RR. CUSHION RUBB.	(2)	(2)	(2)	(2)	(2)	(2)	(2)	
		* 12	50135-197-000	COLLAR ENG. HANGER	(1)	(1)	(1)	(1)	(1)	(1)	(1)	
		13	90110-197-000	BOLT MAIN STAND PIVOT	(1)	(1)	(1)	(1)	(1)	(1)	(1)	
		14	90300-099-000	E-RING 8 MM	(2)	(2)	(2)	(2)	(2)	(2)	(2)	
		15	92200-08040-0H	BOLT HEX 8 x 40	(2)	(2)	(2)	(2)	(2)	(2)	(2)	

E 2

F-14

Stand · Kick starter arm

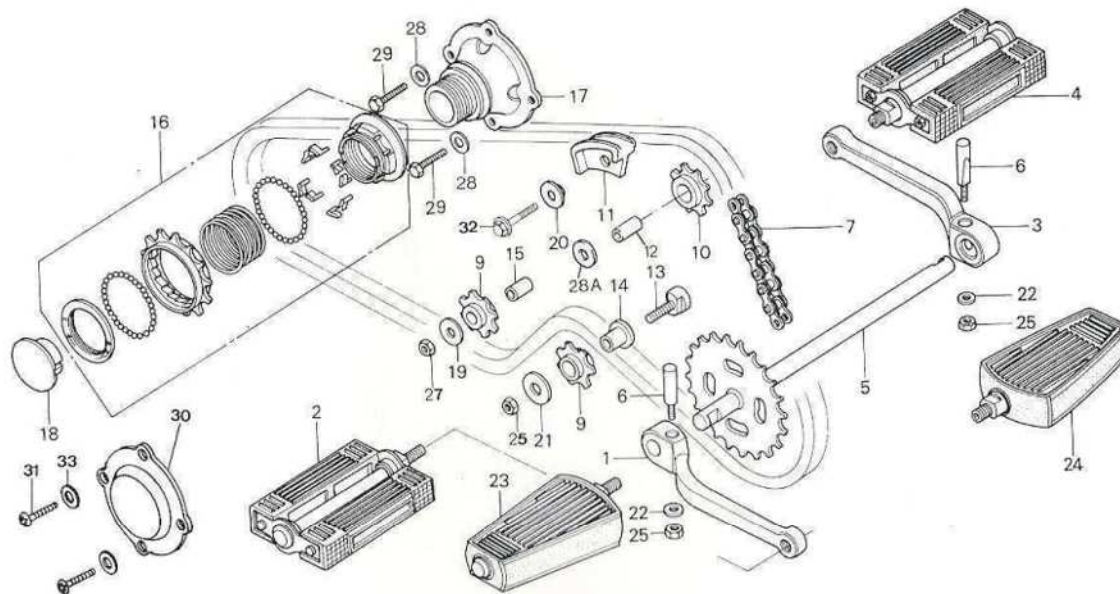


Service item	F.R.T.	Ref. No.	Part No.	Description	Reqd. N°							Area code
					A	MA	SA	PK50 MSA	c	Sc	MSc	
		16	93500-05016-0A	SCREW PAN 5 x 16	(2)	(2)	(2)	(2)	(2)	(2)	(2)	
		17	93700-04010-0G	SCREW OVAL 4 x 10	(1)	(1)	(1)	(1)	(1)	(1)	(1)	
		18	94101-10000	WASHER PLAIN 10 MM	(3)	(3)	(3)	(3)	(3)	(3)	(3)	
		19	94101-04000	WASHER PLAIN 4 MM	(1)	(1)	(1)	(1)	(1)	(1)	(1)	
		20	94101-05700	WASHER PLAIN 5 MM	2	2	2	2	2	2	2	
		21	94101-08800	WASHER PLAIN 8 MM	(2)	(2)	(2)	(2)	(2)	(2)	(2)	
		22	95011-21000	RUBBER STEP	2				2	2		2B, 2AR, 2E, 2N 2FI
		23	95011-51000	RUBBER A. KICK START.	1	1	1	1	1	1	1	
		24	50530-197-010	RUBBER STAND STOPPER	(1)	(1)	(1)	(1)	(1)	(1)	(1)	
		25	95014-71802	SPRING MAIN STAND	(1)	(1)	(1)		(1)	(1)	(1)	2B, 2H, 2F, 2AR 2E, 2N, 2FI
		26	92000-06020-0G	BOLT HEX 6 x 20	(1)	(1)	(1)	(1)	(1)	(1)	(1)	
		27	94101-06700	WASHER PLAIN 6 MM	(1)	(1)	(1)	(1)	(1)	(1)	(1)	
		28	94001-08000-0S	NUT HEX. 8 MM	(1)	(1)	(1)	(1)	(1)	(1)	(1)	
		29	92000-08020-0A	BOLT HEX 8 x 20					(5)	(5)		2AR, 2E, 2N, 2FI
		30	94101-08000	WASHER PLAIN 8 MM					(5)	(5)		2AR, 2E, 2N, 2FI
		31	50610-197-740ZA	BAR COMP. STEP NH105					(1)	(1)		2AR, 2E, 2N, 2FI

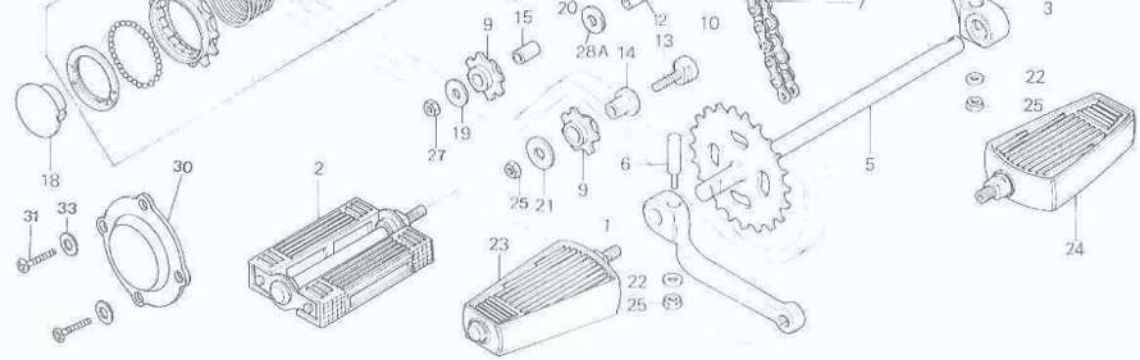
E 3

F-15

Crank pedal • Crank arm



Service item	F.R.T.	Ref. No.	Part No.	Description	Reqd. N°							Area code	
					A	MA	SA	PX50 MSA	C	Sc	MSC		
ARM, CRANK • PEDAL COMP., CRANK • CHAIN, DRIVE PEDAL • ROLLER, TENSIONER	0.1	1	40210-122-691	ARM, R. CRANK	(1)	(1)	(1)	(1)				2F, 2G, 2H	
		2	40215-099-920	PEDAL COMP., R. CRANK	(1)		(1)				(1)	2B	
			40215-143-000	PEDAL COMP., R. CRANK	(1)							(1)	2H
							(1)					(1)	2B
(WHEN SERVICING COMP., UNIT F.R.T. IS 0.2) • GUIDE, CHAIN DRIVESHAFT COMP.	0.2	3	40220-122-691	ARM, L. CRANK	(1)	(1)	(1)	(1)				2F, 2G, 2H	
		4	40225-099-920	PEDAL COMP., L. CRANK	(1)		(1)				(1)	2B	
• FLANGE COMP., FREE WHEEL FREE WHEEL	0.3	* 5	40230-197-000	DRIVESHAFT COMP.	(1)	(1)	(1)	(1)				2F, 2G, 2H	
							(1)				(1)	2B	
		* 6	40235-093-000	PIN, CRANK ARM SETTING	(2)	(2)	(2)	(2)				(2)	2F, 2G, 2H
							(2)					(2)	2B
		* 7	40535-197-000	CHAIN, DRIVE PEDAL	(1)	(1)	(1)	(1)				2F, 2G, 2H	
						(1)					(1)	2B	
		* 9	40541-148-010	ROLLER, TENSIONER	(2)	(2)	(2)	(2)				2F, 2G, 2H	
						(1)					(1)	2B	



Service item	F.R.T.	Ref. No.	Part No.	Description	Reqd. N°				Area code			
					A	MA	SA	MSA		C	SC	MSC
		22	90545-044-000	WASHER CRANCK ARM		(2)				(2)	2B	
		23	90609-031-000	PEDAL COMP. R. CRANK		(1)					(1)	2G
		24	90709-031-000	PEDAL COMP. L. CRANK		(1)					(1)	2G
		25	94001-06000	NUT HEX. 6 MM	(3)	(3)	(3)	(3)				2F, 2G, 2H
		26	94050-06000	NUT FLANGE 6 MM	1	1	1	1			(3)	2B
		27	94001-08000-0S	NUT HEX. 8 MM	(1)	(1)	(1)	(1)			(1)	2F, 2G, 2H
		28	94101-06000	WASHER PLAIN 6 MM	(4)		(4)	(4)			(1)	2B
		28A	94101-10000	WASHER PLAIN 10 MM	(4)	(4)	(4)	(4)	(4)	(4)	(4)	2F, 2G, 2H
		29	92000-06016-0A	BOLT HEX 6 x 16	(4)	(4)	(4)	(4)			(4)	2B
		30	41217-197-640	COVER RR. WHEEL AXLE	(1)				(1)	(1)		2B, 2FI, 2N, 2E, 2AR
		31	93500-06016-0G	SCREW PAN 6 x 16	(4)				(4)	(4)		2B, 2FI, 2N, 2E, 2AR
		32	96000-06028-00	BOLT FLANGE 6 x 28			1	1			1	2B, 2FI, 2N, 2E, 2AR
		33	94101-06700	WASHER PLAIN 6 MM	(4)				(4)	(4)		2B, 2FI, 2N, 2E, 2AR

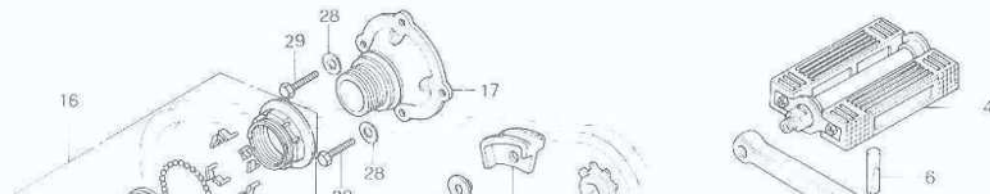
1980.06.20

E5

53



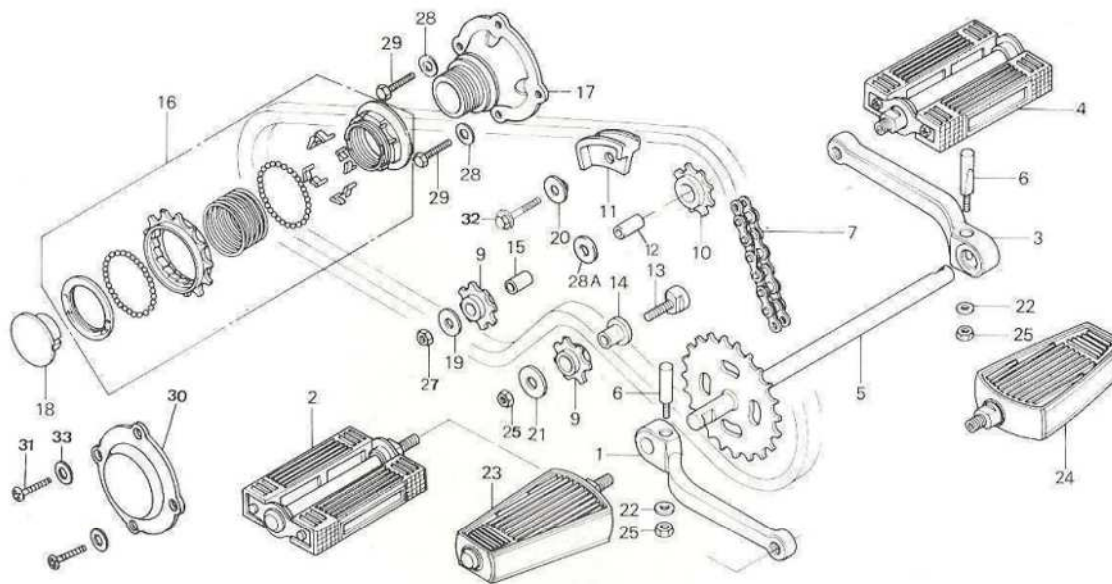
F-15



E 5

F-15

Crank pedal · Crank arm

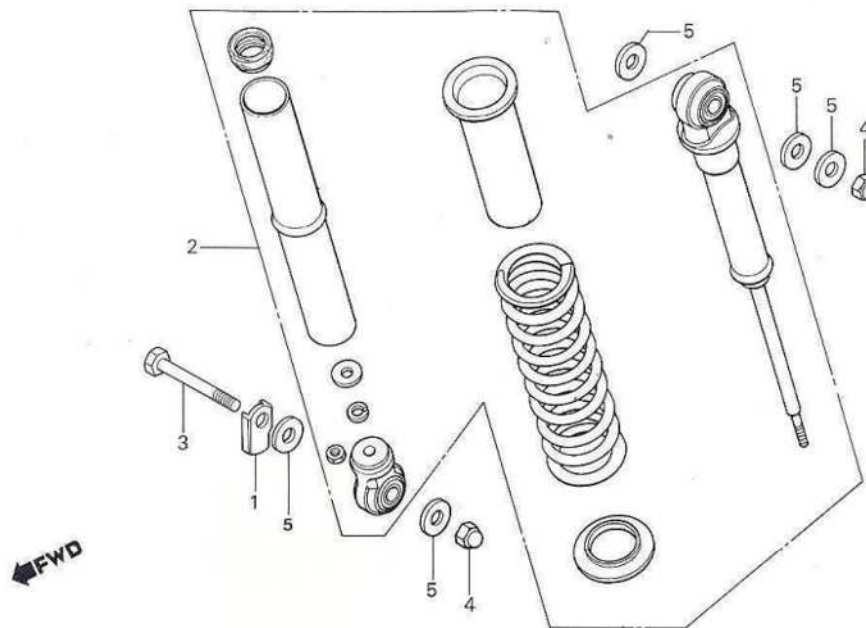


Service item	F.R.T.	Ref. No.	Part No.	Description	Reqd. N°							Area code	
					A	MA	SA	MSA	C	Sc	MSc		
		22	90545-044-000	WASHER CRANCK ARM		(2)						(2)	2B
		23	90609-031-000	PEDAL COMP. R. CRANK		(1)		(1)					2G
		24	90709-031-000	PEDAL COMP. L. CRANK		(1)		(1)					2G
		25	94001-06000	NUT HEX. 6 MM	(3)	(3)	(3)	(3)					2F, 2G, 2H
						(3)						(3)	2B
		26	94050-06000	NUT FLANGE 6 MM	1	1	1	1					2F, 2G, 2H
						(1)						(1)	2B
		27	94001-08000-0S	NUT HEX. 8 MM	(1)	(1)	(1)	(1)					2F, 2G, 2H
						(1)						(1)	2B
		28	94101-06000	WASHER PLAIN 6 MM	(4)		(4)	(4)					2F, 2G, 2H
						(4)						(4)	2B
		28A	94101-10000	WASHER PLAIN 10 MM	(4)	(4)	(4)	(4)	(4)	(4)	(4)		
		29	92000-06016-0A	BOLT HEX 6 x 16	(4)	(4)	(4)	(4)					2F, 2G, 2H
						(4)						(4)	2B
		30	41217-197-640	COVER RR. WHEEL AXLE	(1)				(1)	(1)			2B, 2FI, 2N, 2E, 2AR
		31	93500-06016-0G	SCREW PAN 6 x 16	(4)				(4)	(4)			2B, 2FI, 2N, 2E, 2AR
		32	96000-06028-00	BOLT FLANGE 6 x 28			1	1			1		
		33	94101-06700	WASHER PLAIN 6 MM	(4)				(4)	(4)			2B, 2FI, 2N, 2E, 2AR



F-16

Rear cushion



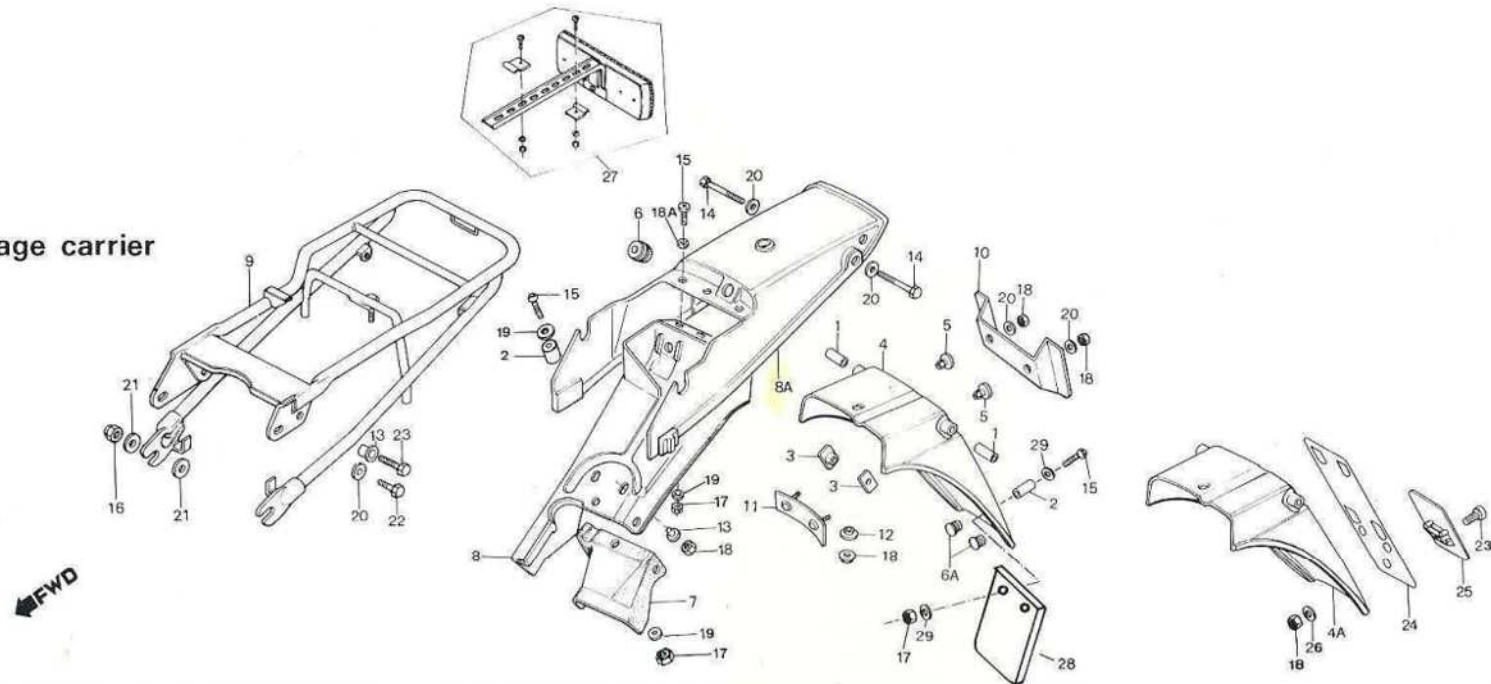
B197-25

Service item	F.R.T.	Ref. No.	Part No.	Description	Reqd. N°							Area code	
					A	MA	SA	MSA	C	Sc	MSc		
CUSHION ASSY., RR.	0.1	* 1	43451-197-000	STOPPER, RR. BRAKE CABLE	(1)	(1)	(1)	(1)	(1)	(1)	(1)	(1)	
		* 2	52400-197-004	CUSHION ASSY., RR.	(1)	(1)	(1)	(1)	(1)	(1)	(1)	(1)	
		3	90108-197-000	BOLT, RR. CUSHION UNDER	(1)	(1)	(1)	(1)	(1)	(1)	(1)	(1)	
		4	94021-10200-0S	NUT, CAP, 10MM	(2)	(2)	(2)	(2)	(2)	(2)	(2)	(2)	
		5	94101-10000	WASHER, PLAIN, 10MM	(5)	(5)	(5)	(5)	(5)	(5)	(5)	(5)	



F-17

Rear fender • Luggage carrier

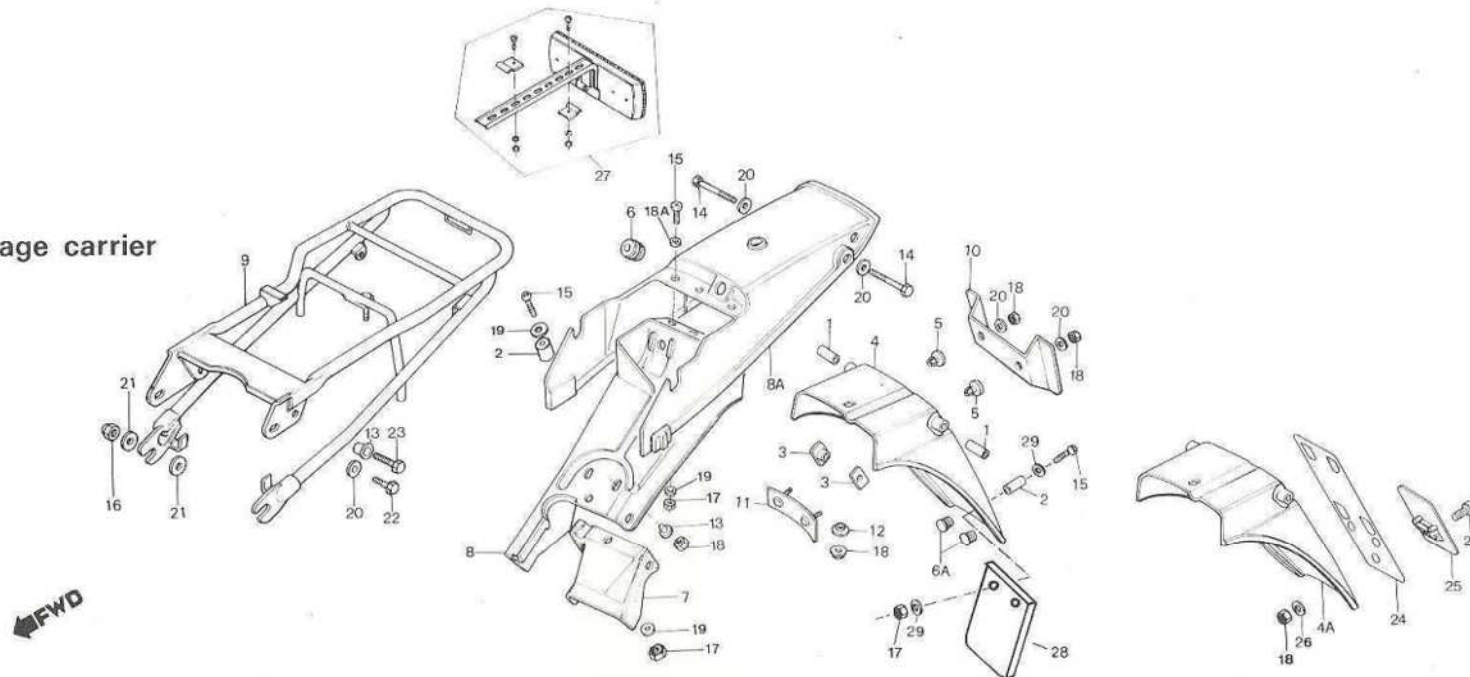


Service item	F.R.T.	Ref. No.	Part No.	Description	Reqd. N°								Area code
					A	MA	SA	MSA	c	Sc	MSc		
FENDER A. RR	0.3	1	19024-692-000	COLLAR DISTANCE	(2)	(2)	(2)	(2)	(2)	(2)	(2)		
• MUDGUARD B		2	32344-892-000	COLLAR. PANEL	(1)	(1)	(1)	(1)	(1)	(1)	(1)		
PANEL COMP. RR.	0.4									(3)			2FI
CARRIER LUGGAGE	0.2	3	61304-162-013	NUT. HEADLIGHT SETTING	2	2	2	2	2	2	2		
		* 4	80100-197-000	FENDER A. RR.	(1)		(1)	(1)	(1)	(1)	(1)		2G, 2B, 2AR, 2E, 2N, 2F
			80100-197-760	FENDER A. RR.						(1)			2G
		4A	80100-197-650	FENDER A. RR.	(1)								2FI
						(1)							2H
													2B
		* 5	80101-197-000	PLUG. USELESS HOLE	(2)	(2)	(2)	(2)	(2)	(2)	(2)		
		6	80102-323-000	GROMMET WIRE CORD	(1)	(1)	(1)	(1)	(1)	(1)	(1)		
		6A	80102-197-000	CAP SEAL	(2)	(2)	(2)			(2)	(2)		2F, 2H, 2B
		* 7	80108-197-300	MUDGUARD B.	(1)	(1)	(1)	(1)	(1)	(1)	(1)		
		* 8	80105-197-000	FENDER B. REAR	(1)	(1)	(1)	(1)	(1)	(1)	(1)		
		* 8A	80110-197-000ZA	COVER REAR NH24	(1)	(1)	(1)			(1)	(1)		2B, 2H, 2F, 2AR
													2E, 2FI
			80110-197-000ZB	COVER REAR R111	(1)	(1)	(1)			(1)	(1)		2G
													2B, 2H, 2F, 2AR
													2E, 2FI
													2G
			80110-197-000ZC	COVER REAR NH 1	(1)	(1)	(1)			(1)	(1)		2B, 2H, 2F, 2AR
													2E, 2FI
													2G
			80110-197-610ZA	COVER REAR NH24		(1)				(1)			2G, 2N

E 8

F-17

Rear fender • Luggage carrier

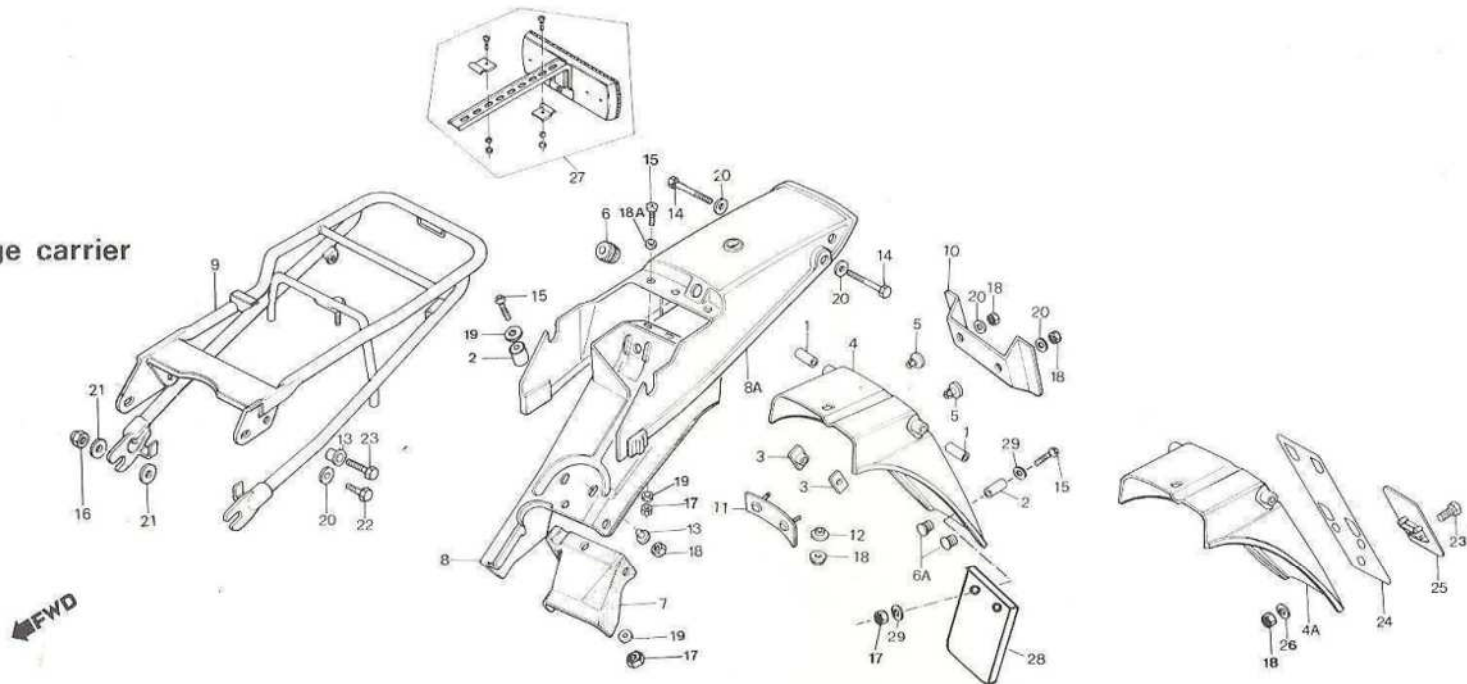


Service item	F.R.T.	Ref. No.	Part No.	Description	Reqd. N°							Area code	
					A	MA	SA	MSA	c	Sc	MSc		
			80110-197-610ZB	COVER REAR R111		(1)			(1)				2G, 2N
			80110-197-610ZC	COVER REAR NH1		(1)			(1)				2G, 2N
		*	9 81200-197-000	CARRIER LUGGAGE	(1)	(1)	(1)	(1)	(1)	(1)	(1)		2G, 2N, 2FI, 2AR
		*	10 84701-197-610ZA	STAY NUMBER PLATE NH105		(1)			(1)	(1)			2E
		*	11 84702-197-000ZA	PLATE NUMBER STAY NH105		(1)			(1)	(1)			2G, 2N, 2FI, 2AR 2E
			12 40514-310-000	COLLAR CHAIN CASE	(1)	(1)	(1)	(1)	(1)	(1)	(1)		
			13 90554-240-000	WASHER B. CHAIN CASE	4	4	4	4	4	4	4		
			14 92000-06035-0A	BOLT HEX. 6 x 35	(2)	(2)	(2)	(2)	(2)	(2)	(2)		
			15 93500-05012-0G	SCREW PAN 5 x 12	(3)	(3)	(3)	(3)	(3)	(3)	(3)		
									(5)				2FI
			16 94021-10200-0S	NUT HEX. CAP 10 MM	1	1	1	1	1	1	1		
			17 94001-05000-0S	NUT HEX. 5 MM	(3)	(3)	(3)	(3)	(3)	(3)	(3)		
									(5)				2FI
			18 94001-06000	NUT HEX. 6 MM	(3)		(3)			(3)			2F, 2B
					(4)								2H
						(4)					(4)		2B
						(5)		(5)					2G
									(5)	(5)			2N, 2E, 2FI, 2AR
			18A 94101-05000	WASHER PLAIN 5 MM	(3)	(3)	(3)	(3)	(3)	(3)	(3)		
			19 94101-05700	WASHER PLAIN 5 MM	(6)	(6)	(6)	(6)	(6)	(6)	(6)		
			20 94101-06000	WASHER PLAIN 6 MM	(4)	(4)	(4)			(4)	(4)		2B, 2H, 2F

E 9

F-17

Rear fender • Luggage carrier

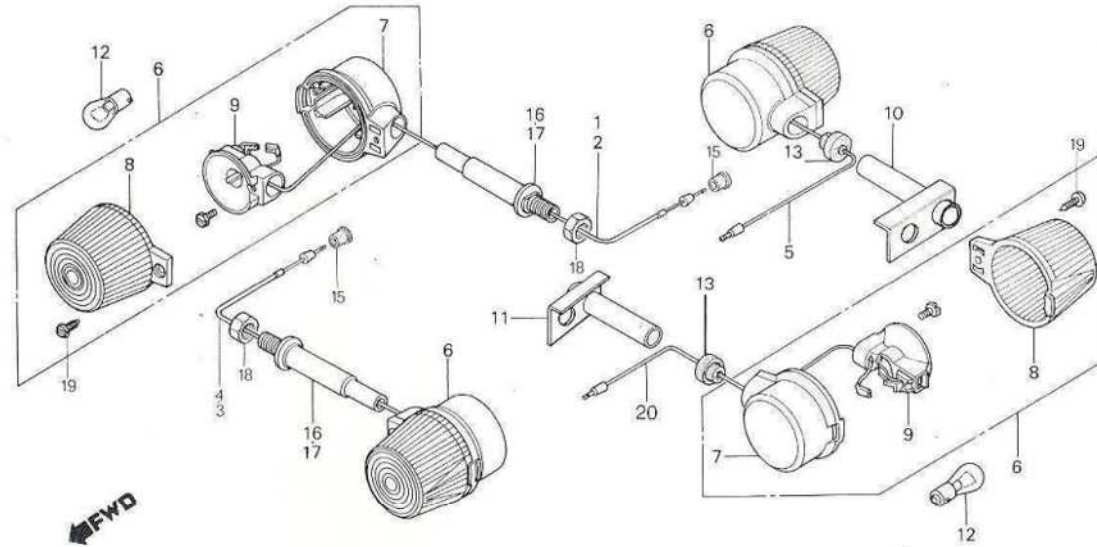


Service item	F.R.T.	Ref. No.	Part No.	Description	Reqd. N°							Area code	
					A	MA	SA	MSA	c	Sc	MSc		
						(6)		(6)	(6)	(6)			2G, 2E, 2AR, 2N 2FI
		21	94101-10000	WASHER PLAIN 10 MM	2	2	2	2	2	2	2		
		22	92000-06012-0A	BOLT HEX. 6 x 12	(2)	(2)	(2)	(2)	(2)	(2)	(2)		
		23	92000-06016-0A	BOLT HEX. 6 x 16	(2)	(2)	(2)	(2)	(2)	(2)	(2)		2F, 2G, 2N, 2E 2AR, 2FI
					(3)								2H
						(3)					(3)		2B
		24	87141-197-650	MARK. REAR FENDER	(1)								2H
		25	84209-148-611	PLATE IDENTIFICATION	(1)						(1)		2H
			84209-148-673	PLATE IDENTIFICATION			(1)						2B
		26	90581-701-000	WASHER 8 x 6.4 MM	(1)								2H
						(1)					(1)		2B
		27	33741-197-650	REFLECTOR ASSY	(1)								2H
		28	80120-197-760	MUDGUARD, REAR							(1)		2FI
		29	94103-05000	WASHER PLAIN 5 MM							(4)		2FI

E 10

F-18

Winker 2B, 2F, 2G, 2E, 2FI



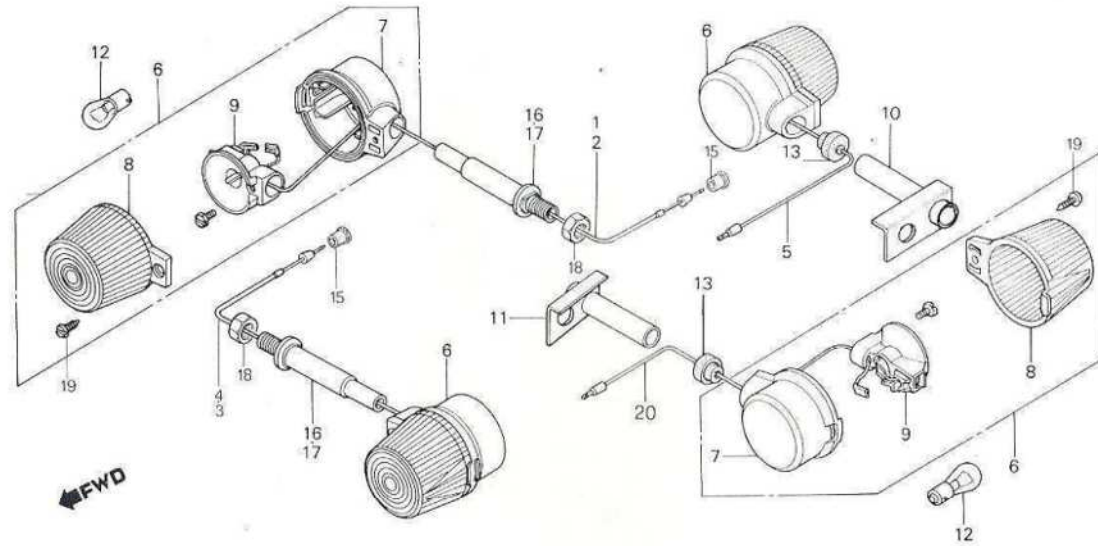
B197-27

Service item	F.R.T.	Ref. No.	Part No.	Description	Reqd. N°							Area code	
					A	MA	SA	PX50 MSA	C	SC	MSC		
BOLT, FR. WINKER • WINKER ASSY. (ADD 0.1 FOR EACH) (WHEN SERVICING COMP. UNIT F.R.T. IS 0.3) INC. RELATIVE PART (EXC. RELATED PARTS BELOW) • BULB, WINKER 6V/21W (ONE OR ALL)	0.1	* 1	32111-197-640	SUB CORD A	(1)	(1)			(1)	(1)	(1)	2B, 2H, 2F, I 2G	
		* 2	32111-197-620	SUB CORD A	(1)		(1)		(1)				2F, 2E
		* 3	32112-197-640	SUB CORD B	(1)	(1)	(1)		(1)	(1)	(1)		2B, 2H, 2FI 2G
		* 4	32112-197-620	SUB CORD B	(1)		(1)		(1)				2F, 2E
		* 5	32113-197-000	SUB CORD C	(1)	(1)	(1)			(1)	(1)		2B, 2H 2G
		* 6	33600-197-000	WINKER ASSY 10W	(4)	(4)				(1)			2E, 2FI 2F, 2H, 2B 2FI
			33600-197-710	WINKER ASSY 21W			(4)	(4)		(4)	(4)		2F, 2G, 2B 2E
		* 7	33601-197-000	BASE, WINKER	(4)	(4)	(4)			(4)	(4)		2F, 2B, 2H 2E, 2FI 2G
		* 8	33602-197-710	LENS, WINKER	(4)	(4)			(4)				2F, 2H, 2B 2FI 2B, 2F, 2G 2E
		* 9	33610-197-000	SOCKET COMP. WINKER	(4)	(4)			(4)		(4)	(4)	2F, 2B, 2H 2FI
			33610-197-710	SOCKET COMP. WINKER.			(4)	(4)		(4)	(4)		2B, 2F, 2G 2E

E 11

F-18

Winker 2B, 2F, 2G, 2E, 2FI



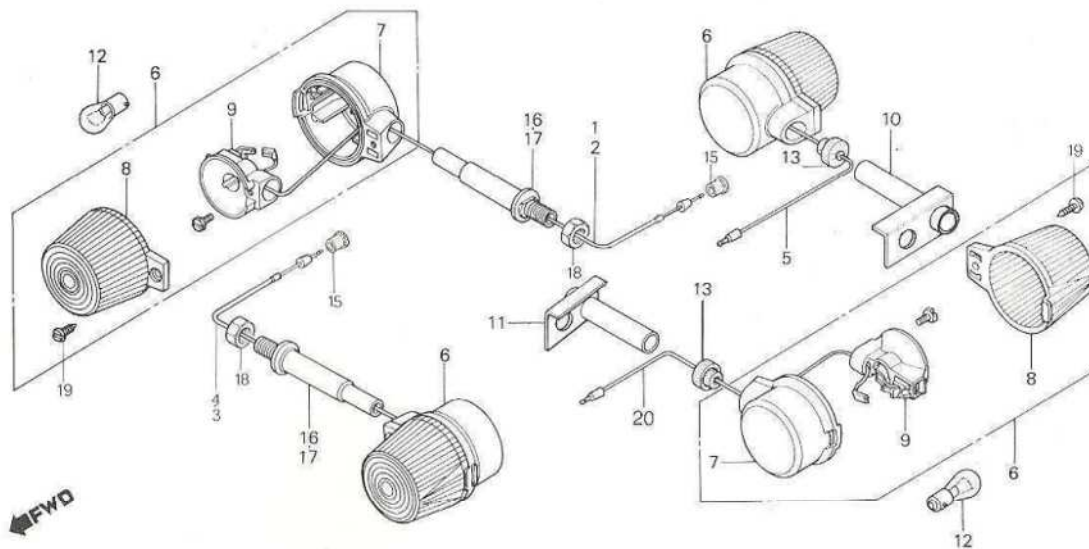
8197-27

Service item	F.R.T.	Ref. No.	Part No.	Description	Reqd. N°					Area code		
					A	MA	SA	PX50 MSA	C		Sc	MSC
		10	33420-197-000	STAY, R. RR. WINKER	(1)	(1)	(1)			(1)	(1)	2F, 2B, 2H 2E, 2FI 2G
		11	33430-197-000	STAY, L. RR. WINKER	(1)	(1)	(1)			(1)	(1)	2F, 2H, 2B 2E, 2FI 2G
		* 12	34905-148-790	BULB, WINKER 6V/10W	(4)	(4)				(4)		2F, 2H, 2B 2FI 2E
			34905-148-000	BULB, WINKER, 6V/21W						(4)		2F, 2G, 2B
			34908-634-611	BULB, 12V/21W			(4)	(4)		(4)	(4)	2F, 2H, 2B
		* 13	61313-197-000	GROMMET, WINKER STAY	(2)	(2)	(2)			(2)	(2)	2FI, 2E 2G
		* 15	61314-197-000	GROMMET, WINKER CORD	(2)	(2)	(2)			(2)	(2)	2F, 2H, 2B 2FI, 2E 2G
		16	90154-197-000	BOLT, FR. WINKER	2		2				(2)	2F 2E

E 12

F-18

Winker 2B, 2F, 2G, 2E, 2FI



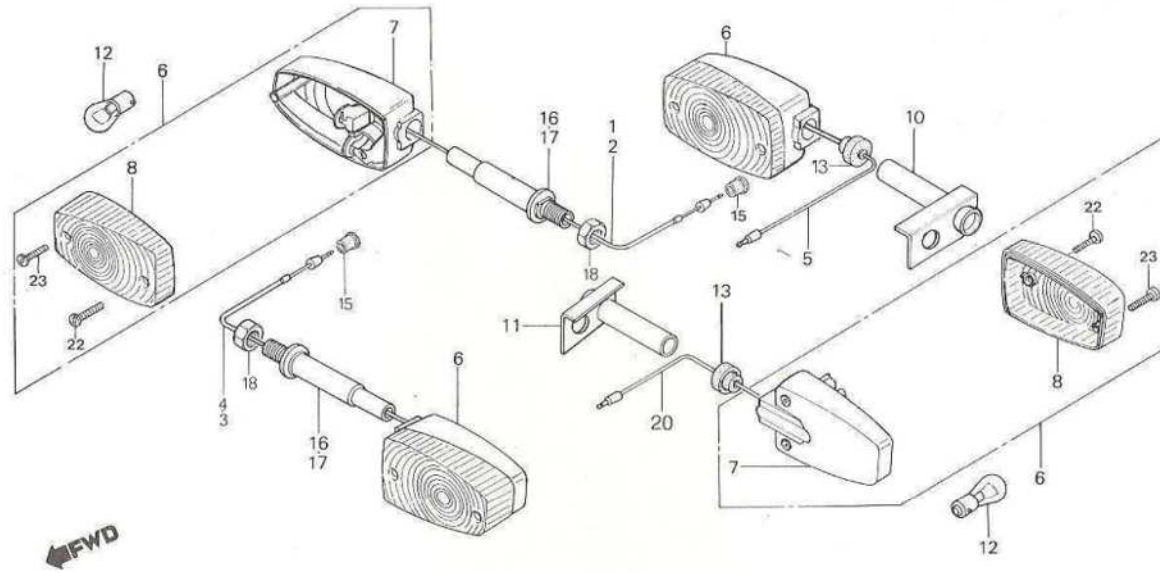
B197-27

Service item	F.R.T.	Ref. No.	Part No.	Description	Reqd. N°						Area code	
					A	MA	SA	PX50 MSA	c	Sc		MSc
		17	90154-197-610	BOLT, FR. WINKER	2	2				2	2	2B, 2H 2FI 2G
		18	94001-12000-0S	NUT, HEX. 12 MM	(2)	(2)	(2)			(2)	(2)	2F, 2H, 2B 2FI, 2E 2G
		19	90120-148-000	SCREW, WINKER	(4)	(4)	(4)			(4)	(4)	2F, 2H, 2B 2FI, 2E 2G
		20	32114-197-000	SUB CORD, D	(1)	(1)	(1)			(1)	(1)	2F, 2H, 2B 2FI, 2E 2G

E 13

F-18-1

Winker 2AR

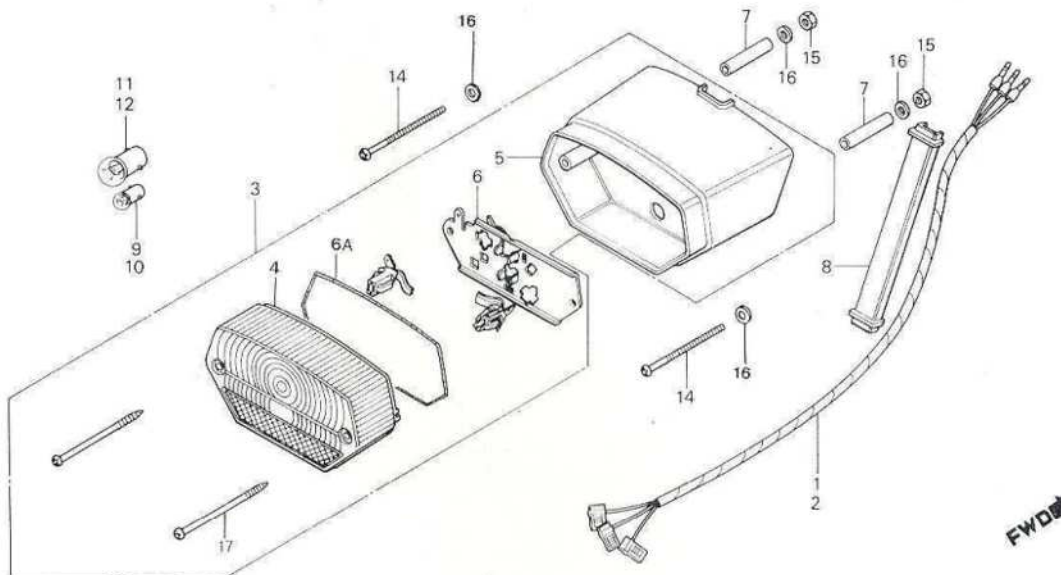


Service item	F.R.T.	Ref. No.	Part No.	Description	Reqd. N°				Area code
					A	MA	SA	MSC	
BOLT, FR. WINKER	0.1	* 1	32111-197-750	SUB CORD A				(1)	2AR
• WINKER ASSY. (ADD 0.1 FOR EACH) (WHEN SERVICING COMP. UNIT F.R.T. IS 0.3) INC. RELATIVE PART (EXC. RELATED PARTS BELOW)		* 3	32112-197-750	SUB CORD B				(1)	2AR
		* 5	32113-197-750	SUB CORD C				(1)	2AR
• BULB, WINKER, 6V/21W (ONE OR ALL)		* 6	33600-197-750	WINKER ASSY				(4)	2AR
		* 7	33601-197-750	BASE, COMP. WINKER				(4)	2AR
		* 8	33602-197-750	LENS WINKER				(4)	2AR
		* 10	33420-197-000	STAY, R. RR. WINKER				(1)	
		* 11	33430-197-000	STAY, L. RR. WINKER				(1)	
		* 12	34908-634-611	BULB (12V, 21W)				(2)	
		* 13	61313-197-000	GROMMET, WINKER STAY				(2)	
		* 15	61314-197-000	GROMMET, WINKER CORD				(2)	
		16	90154-197-000	BOLT, FR. WINKER				2	
		18	94001-12000-0S	NUT, HEX, 12 MM				(2)	
		20	32114-197-750	SUB CORD D				(1)	2AR
		* 21	34906-197-750	BULB 12V/18W				(2)	2AR
		* 22	90121-197-750	SCREW WINKER M 4 x 8				(4)	2AR
		* 23	90120-197-750	SCREW WINKER 3,5 x 30				(4)	2AR

E 15

F-19

Taillight

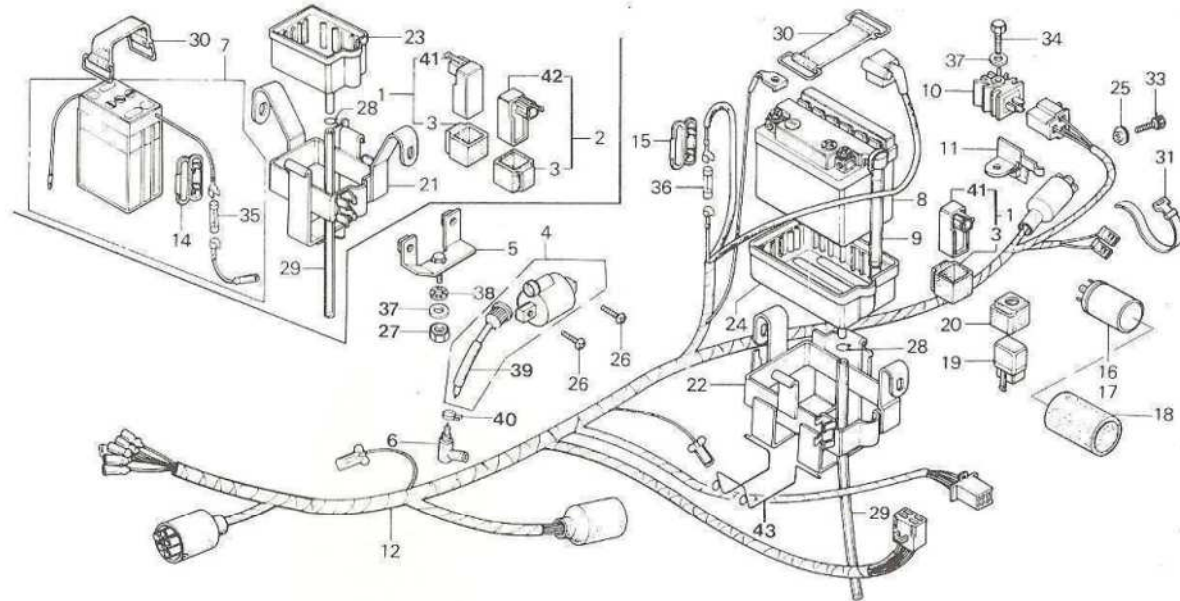


Service item	F.R.T.	Ref. No.	Part No.	Description	Reqd. N°							Area code
					A	MA	SA	PX50 MSA	C	Sc	MSc	
		6	33704-148-910	SOCKET COMP, TAILLIGHT							(1)	2AR
		* 6A	33709-197-000	PACKING LENS TAILLIGHT	(1)	(1)	(1)	(1)	(1)	(1)	(1)	
		* 7	33721-197-000	COLLAR, TAILLIGHT SETTING	(2)	(2)	(2)	(2)	(2)	(2)	(2)	
		* 8	33722-197-000	COVER, WIRE HARNESS	(1)	(1)	(1)			(1)	(1)	2B, 2F
			33722-197-650	COVER, WIRE HARNESS	(1)							2H
		9	34902-259-610	BULB (12V/4W)			(1)	(1)		(1)	(1)	
		10	34903-148-610	BULB, TAIL (6V/4W)	(1)	(1)						
									(1)			2FI, 2N
						(1)						2G
		11	34905-197-710	BULB, STOP (12V/5W)			(1)	(1)		(1)	(1)	
		12	34902-148-610	BULB, STOPLIGHT (6V/5W)	(1)	(1)			(1)			
		* 14	90115-197-000	SCREW PAN, 4 x 50	(2)	(2)	(2)	(2)	(2)	(2)	(2)	
		15	94003-04000	NUT, HEX, 4 MM	(2)	(2)	(2)	(2)	(2)	(2)	(2)	
		16	94101-04000	WASHER, PLAIN, 4 MM	(4)	(4)	(4)	(4)	(4)	(4)	(4)	
		17	90118-148-000	SCREW, TAPPING, 4 MM	(2)	(2)	(2)	(2)	(2)	(2)	(2)	2B, 2F, 2G, 2E
			90118-148-650	MINUS SCREW, TAPPING 4 MM	(2)							2N, 2AR, 2FI 2H

E 16

F-20

**Wire harness • Battery •
Ignition coil**

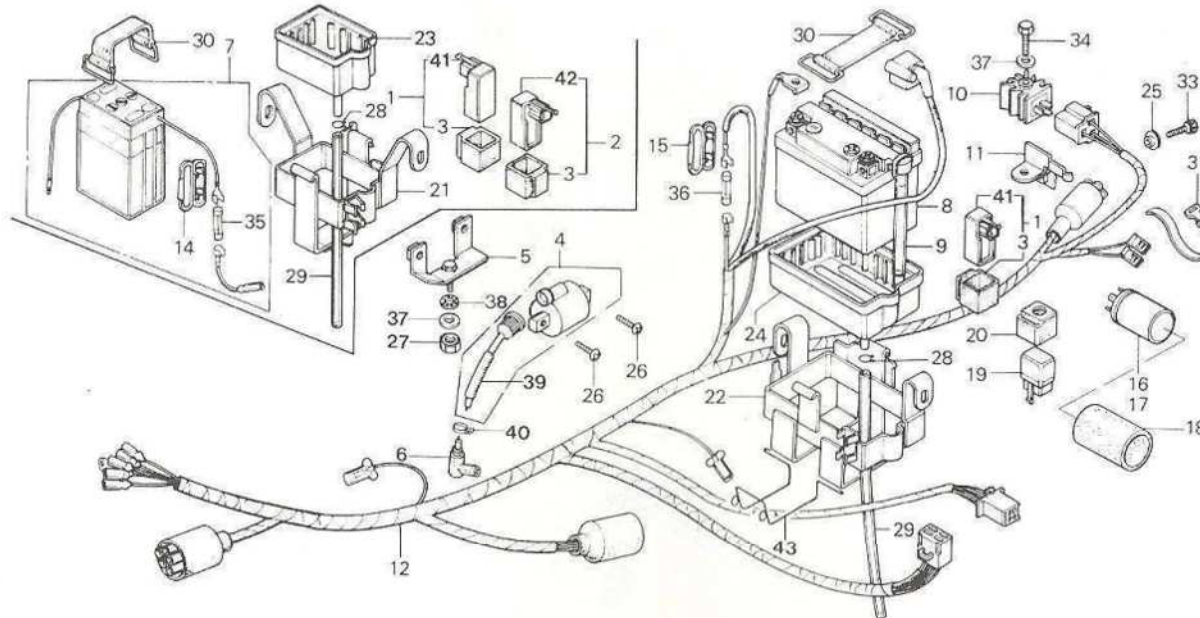


Service item	F.R.T.	Ref. No.	Part No.	Description	Reqd. N°							Area code
					A	MA	SA	PX50 MSA	C	Sc	MSC	
CDI UNIT	0.2	1	30400-197-000	CDI UNIT ASSY	1	1	1	1	1	1	1	
	(0.3)	2	30402-197-000	TIMER UNIT ASSY	1	1		1		1	1	2B, 2G
TIMER UNIT	0.2								1			2E
	(0.3)	3	30406-471-000	SUSPENSION. CDI UNIT	2	2		2		2	2	2B, 2G
RECTIFIER COMP. REGULATE	0.2								2			2E
RELAY COMP. STARTER	0.2				1		1				1	2F, 2H
	(0.3)											2AR
BASE ELECTRIC SETTING (STARTER MOTOR TYPE)	0.2								1			2FI, 2N
	(0.3)	4	30500-197-020	COIL ASSY IGNITION	1	1	1	1	1	1	1	
COIL ASSY IGNITION	0.5	5	30501-197-000	STAY IGN. COIL SETTING	(1)	(1)	(1)	(1)	(1)	(1)	(1)	
BATTERY	0.1	6	30700-KA3-671	CAP ASSY. NOISE SUPPRESS	1	1	1	1	1	1	1	
• RELAY COMP. WINKER		7	31500-197-000	BATTERY 6N2	(1)	(1)			(1)			
HARNESS WIRE	0.6	8	31500-197-711	BATTERY 12N4			1	1		1	1	
	(0.8)	9	31502-197-000	TUBE. BATTERY BREATHER			1	1		1	1	
HARNESS C. SUB WIRE	0.4	10	31601-179-711	RECTIFIER COMP. REGULAT	1	1			1			
			31601-197-711	RECTIFIER COMP. REGULAT			1	1		1	1	
(): WITH STARTER MOTOR TYPE		* 11	31605-197-000	STAY. REGULAT. RECTIF	(1)	(1)	(1)	(1)	(1)	(1)	(1)	
OIL TANK TYPE		* 12	32100-197-010	HARNESS WIRE	(1)				(1)			2F, 2H, 2N, 2FI
(): WITH OIL TANK TYPE												

E 17

F-20

**Wire harness • Battery •
Ignition coil**

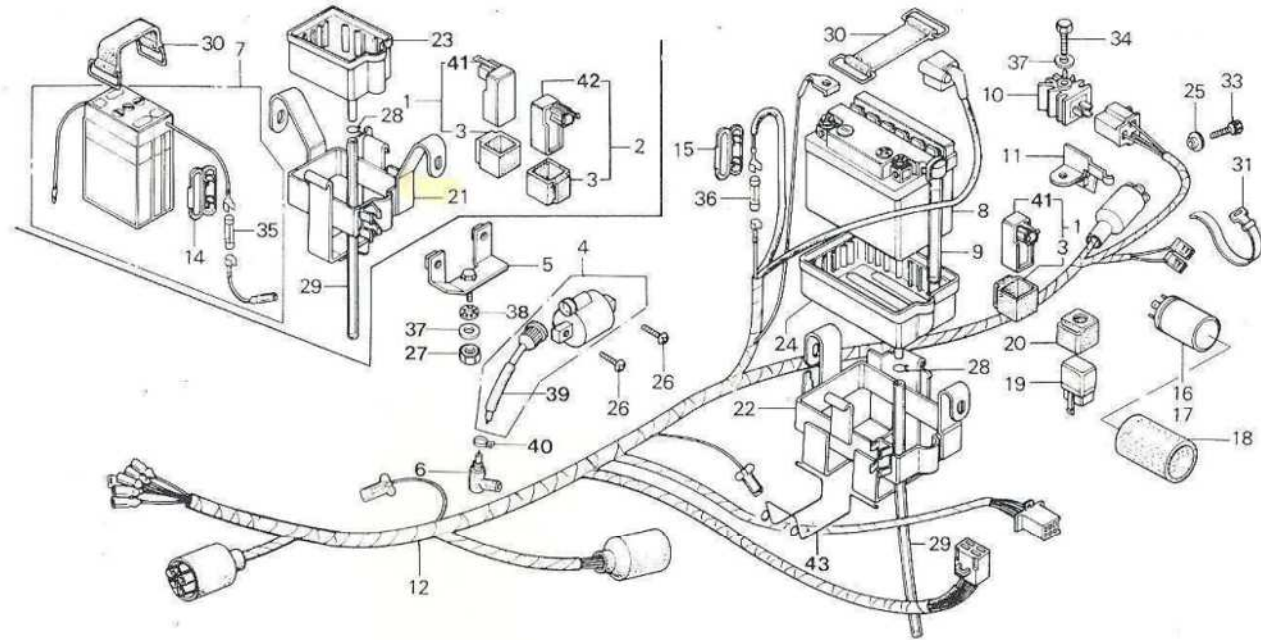


Service item	F.R.T.	Ref. No.	Part No.	Description	Reqd. N°							Area code	
					A	MA	SA	MSA	C	Sc	MSC		
		* 12	32100-197-611	HARNESS WIRE	(1)	(1)			(1)				2B, 2G, 2E
			32100-197-701	HARNESS WIRE			(1)			(1)			2F, 2AR
			32100-197-711	HARNESS WIRE				(1)		(1)	(1)		2G, 2B

E 18

F-20

**Wire harness • Battery •
Ignition coil**

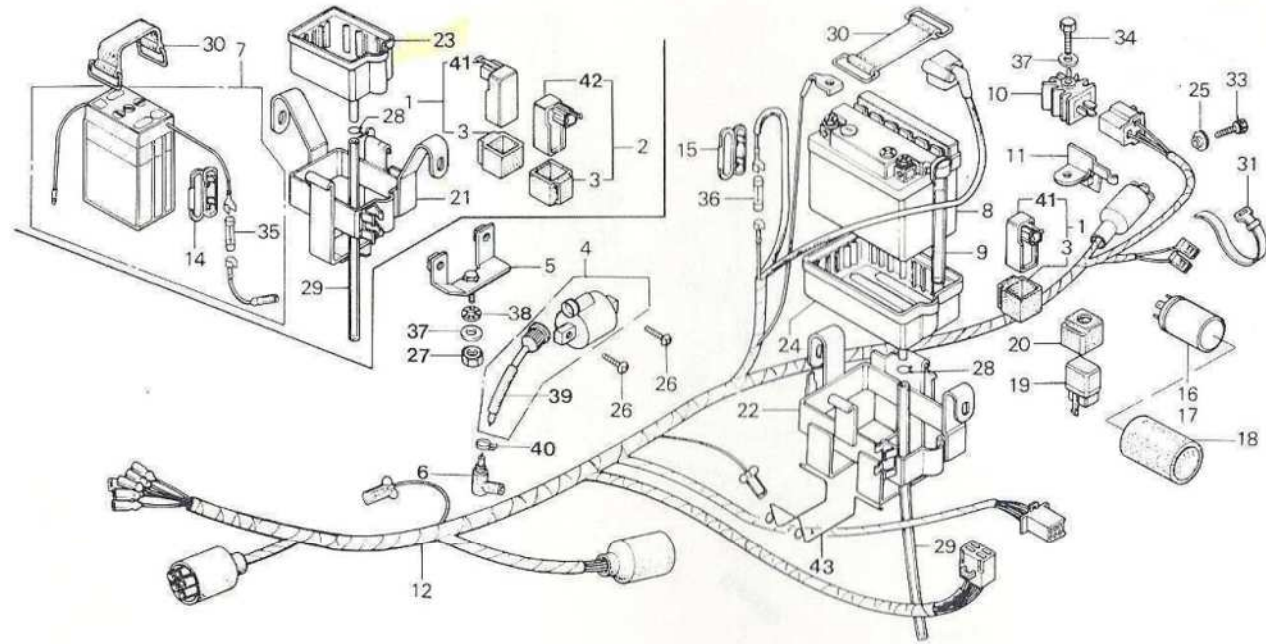


Service item	F.R.T.	Ref. No.	Part No.	Description	Reqd. N°							Area code	
					A	MA	SA	MSA	C	Sc	MSC		
		14	32120-155-000	CASE FUSE (7A)	(1)	(1)			(1)				
		15	32120-329-000	CASE FUSE (10A)			(1)	(1)		(1)	(1)		
		* 16	38301-197-010	RELAY COMP. WINKER 6V-20	(1)	(1)				(1)			2F, 2H, 2B 2FI
			38301-197-730	RELAY COMP. WINKER 6V-42W						(1)			2E
		* 17	38301-197-720	RELAY COMP. WINKER 12V-42W			(1)	(1)		(1)	(1)		
		* 18	38306-197-000	SUSPENSION WINKER RELAY	(1)	(1)	(1)			(1)	(1)		2AR, 2F, 2H, 2B 2FI, 2E 2G
		19	38501-187-701	RELAY COMP. STARTER (MITSUBA)			1	1		1	1		
		20	38506-187-701	SUSPENSION STARTER RELAY (MITSUBA)			1	1		1	1		
		* 21	50320-197-000ZA	BASE. ELEC SETTING NH105	(1)					(1)			2F, 2H, 2FI, 2N
			50320-197-610ZA	BASE. ELEC SETTING NH105	(1)	(1)							2B, 2G, 2E
		* 22	50320-197-710ZA	BASE. ELEC SETTING NH105					(1)	(1)	(1)		2G, 2B

E 19

F-20

Wire harness • Battery •
Ignition coil



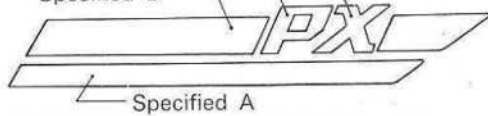
Service item	F.R.T.	Ref. No.	Part No.	Description	Reqd. N°							Area code	
					A	MA	SA	PX50 MSA	G	Sc	MSc		
		* 22	50320-197-720ZA	BASE. ELEC SETTING NH105				(1)			(1)		2F, 2AR
		* 23	50335-197-000	CUSHION. BATTERY	(1)	(1)			(1)				
		* 24	50335-197-720	CUSHION. BATTERY				(1)	(1)		(1)	(1)	
		25	90554-240-000	WASHER B. CHAIN CASE SETTING	(1)	(1)	(1)	(1)	(1)	(1)	(1)	(1)	
		26	93500-05016-0G	SCREW. PAN 5 x 16	(2)	(2)	(2)	(2)	(2)	(2)	(2)	(2)	
		27	94001-06000-0S	NUT HEX. 6 MM	(1)	(1)	(1)	(1)	(1)	(1)	(1)	(1)	
		28	95002-02070	CLIP. B7. TUBE	1	1	1	1	1	1	1	1	
		29	95003-12051-10	TUBE VINYL 5 x 7 x 510	(1)	(1)	(1)	(1)	(1)	(1)	(1)	(1)	
		30	95012-12000	BAND. B1 BATTERY	(1)	(1)	(1)	(1)	(1)	(1)	(1)	(1)	
		31	95014-61100	BAND A1. WIRE	(1)	(1)	(1)	(1)	(1)	(1)	(1)	(1)	
		33	92000-06012-0A	BOLT HEX. 6 x 12	(1)	(1)	(1)	(1)	(1)	(1)	(1)	(1)	
		34	92000-06030-0A	BOLT HEX. 6 x 30	(1)	(1)	(1)	(1)	(1)	(1)	(1)	(1)	
		35	98200-10700	FUSE A (7A)	(1)	(1)			(1)				
		36	98200-11000	FUSE A (10A)				1	1		1	1	
		37	94101-06000	WASHER PLAIN 6 MM	(2)	(2)	(2)	(2)	(2)	(2)	(2)	(2)	
		38	90130-148-000	FAN. WASHER 6 MM	(1)	(1)	(1)	(1)	(1)	(1)	(1)	(1)	
		39	30755-197-000	CORD SET HIGH TENSION	1	1	1	1	1	1	1	1	
		40	30712-197-000	CLAMP. HIGH TENSION	1	1	1	1	1	1	1	1	
		41	30410-187-008	CDI UNIT COMP.	1	1	1	1	1	1	1	1	
		42	38900-197-000	UNIT PILOT TIMER	1	1		1		1	1	1	2B, 2G
									1				2E
		43	81218-197-750	SPRING FIRST AID KIT					1				2AR

E 20

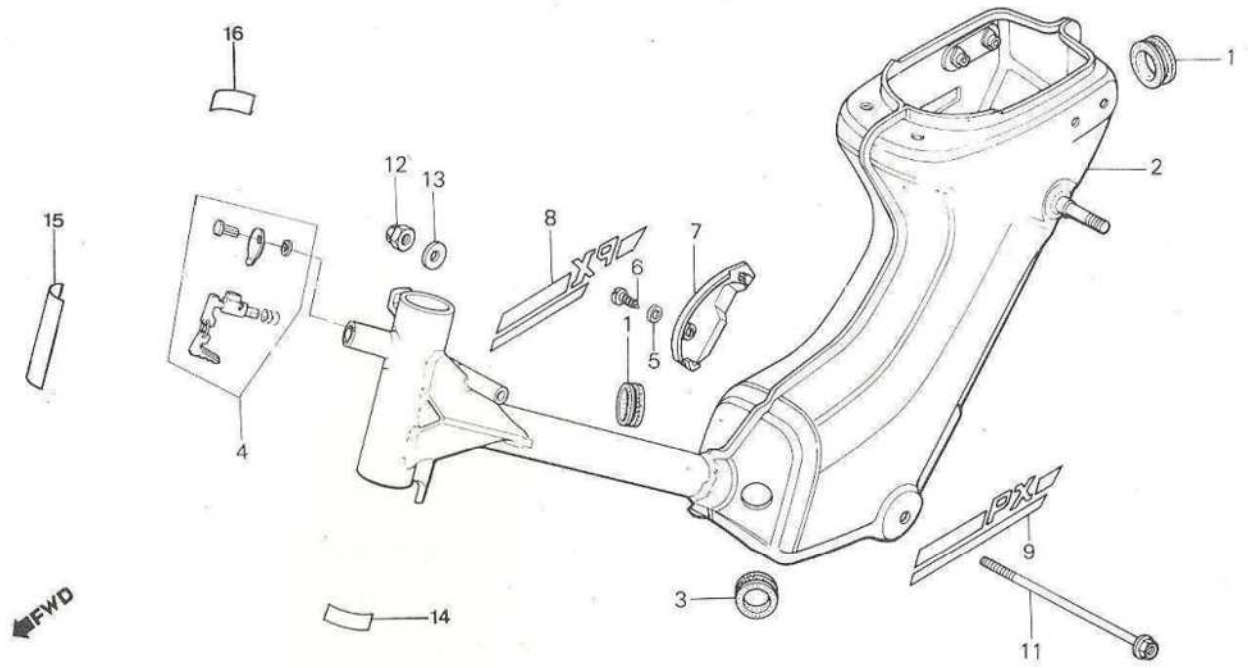
F-21

Frame body

Color chart of body stripe
Specified B



Specified color Type of stripe	Specified A	Specified B
Type A	Blue	Red
Type B	Blue	White
Type C	Red	Silver



Service item	F.R.T.	Ref. No.	Part No.	Description	Reqd. N°								Area code
					A	MA	SA	MSA	C	Sc	MSC		
BODY COMP., FRAME	* 2.5	* 1	32701-197-000	GROMMET A, WIRE HARNESS	(2)	(2)	(2)	(2)	(2)	(2)	(2)		
LOCK, STEERING HANDLE	0.1	* 2	50100-197-010ZA	BODY COMP., FRAME "NH-24"	(1)	(1)	(1)	(1)	(1)	(1)	(1)		
			50100-197-010ZB	BODY COMP., FRAME "R-111"	(1)	(1)	(1)	(1)	(1)	(1)	(1)	(1)	
			50100-197-010ZC	BODY COMP., FRAME "NH-1"	(1)	(1)	(1)	(1)	(1)	(1)	(1)		
		* 3	50136-197-000	GROMMET, FR. FRAME	(1)	(1)	(1)	(1)	(1)	(1)	(1)		
		* 4	53600-148-010	LOCK, STEERING HANDLE	(1)	(1)	(1)	(1)	(1)	(1)	(1)		
		5	94101-04700	WASHER, PLAIN, 4 MM	(1)	(1)	(1)	(1)	(1)	(1)	(1)		
		6	83500-04012-0G	SCREW, PAN, 4 x 12	(1)	(1)	(1)	(1)	(1)	(1)	(1)		
		7	83600-197-000ZA	COVER, OIL PUMP NH 24	(1)	(1)	(1)	(1)	(1)	(1)	(1)		
			83600-197-000ZB	COVER, OIL PUMP R-111	(1)	(1)	(1)	(1)	(1)	(1)	(1)		
			83600-197-000ZC	COVER, OIL PUMP NH-1	(1)	(1)	(1)	(1)	(1)	(1)	(1)		
		* 8	87121-197-300ZA	STRIPE, R. FRAME BODY "TYPE A"	(1)	(1)	(1)	(1)	(1)	(1)	(1)		
			87121-197-300ZB	STRIPE, R. FRAME BODY "TYPE B"	(1)	(1)	(1)	(1)	(1)	(1)	(1)		
			87121-197-300ZC	STRIPE, R. FRAME BODY "TYPE C"	(1)	(1)	(1)	(1)	(1)	(1)	(1)		
		* 9	87122-197-300ZA	STRIPE, L. FRAME BODY "TYPE A"	(1)	(1)	(1)	(1)	(1)	(1)	(1)		
			87122-197-300ZB	STRIPE, L. FRAME BODY "TYPE B"	(1)	(1)	(1)	(1)	(1)	(1)	(1)		
			87122-197-300ZC	STRIPE, L. FRAME BODY "TYPE C"	(1)	(1)	(1)	(1)	(1)	(1)	(1)		

E 21

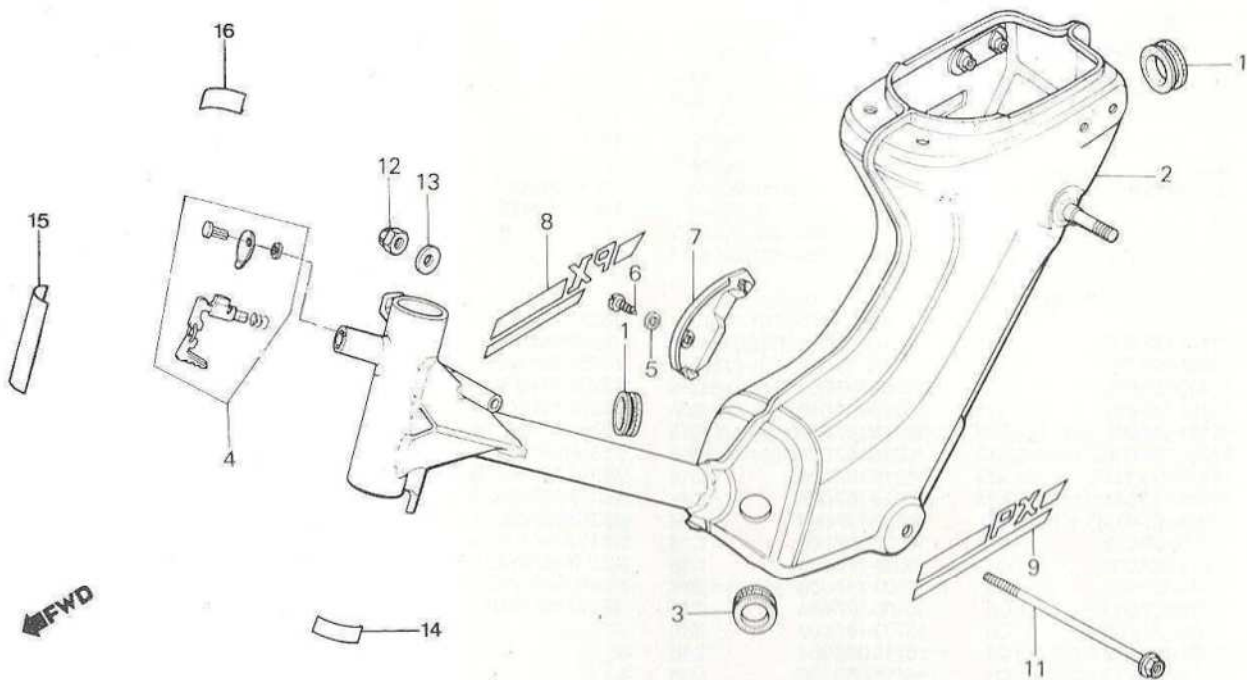
F-21

Frame body

Color chart of body stripe
Specified B



Specified color Type of stripe	Specified A	Specified B
Type A	Blue	Red
Type B	Blue	White
Type C	Red	Silver



Service item	F.R.T.	Ref. No.	Part No.	Description	Reqd. N°							Area code
					A	MA	SA	MSA	c	Sc	MSc	
		* 11	90112-197-000	BOLT, ENGINE HANGER	1	1	1	1	1	1	1	
		* 12	90351-268-000	NUT, SELF LOCK, 10 MM	1	1	1	1	1	1	1	
		13	94101-10000	WASHER, PLAIN, 10 MM	(1)	(1)	(1)	(1)	(1)	(1)	(1)	
		14	87310-197-300	APPROVAL MARK	(1)		(1)		(1)			2F, 2E
		15	87501-197-610	PLATE REGIST. NUMBER		(1)		(1)				
			87501-197-620	PLATE REGIST. NUMBER	(1)		(1)		(1)	(1)	(1)	2F, 2B, 2AR, 2N
			87501-197-760	PLATE REGIST. NUMBER					(1)			2FI
			87503-197-731	ID. PLATE					(1)			2E
		16	87511-323-670	LABEL, HELMET HOLDER	(1)	(1)		(1)	(1)	(1)	(1)	2B, 2H, 2G, 2AR, 2E, 2N, 2FI,
			87511-415-620	LABEL, HELMET HOLDER	(1)		(1)					2F



		90313-093-003	D12	91302-187-000	C8	93901-34580	D4	94201-30250	D13	97212-11151-B0	D13
		90314-093-003	D12	91307-567-000	C11	93902-25220	D21	94301-10140	C6	97212-21139-F0	D15
		90325-323-000	D21	91351-642-000	C10			94301-10200	C11	97268-21095-F0	D15
		90351-268-000	E21	91410-679-000	C14				C14		
		90412-187-000	C8					94520-28000	C10		
			C11				94000				
		90426-001-000	C8								
			C9								
			C2								
			C9								
			C11								
			C8								
			C10								
			C11								
			C8								
			C11								
			C8								
			C11								
			C8								
			C11								
			C8								
			C11								
			C8								
			C11								
			C8								
			C11								
			C8								
			C11								
			C8								
			C11								
			C8								
			C11								
			C8								
			C11								
			C8								
			C11								
			C8								
			C11								
			C8								
			C11								
			C8								
			C11								
			C8								
			C11								
			C8								
			C11								
			C8								
			C11								
			C8								
			C11								
			C8								
			C11								
			C8								
			C11								
			C8								
			C11								
			C8								
			C11								
			C8								
			C11								
			C8								
			C11								
			C8								
			C11								
			C8								
			C11								
			C8								
			C11								
			C8								
			C11								
			C8								
			C11								
			C8								
			C11								
			C8								
			C11								
			C8								
			C11								
			C8								
			C11								
			C8								
			C11								
			C8								
			C11								
			C8								
			C11								
			C8								
			C11								
			C8								
			C11								
			C8								
			C11								
			C8								
			C11								
			C8								
			C11								
			C8								
			C11								
			C8								
			C11								
			C8								
			C11								
			C8								
			C11								
			C8								
			C11								
			C8								
			C11								
			C8								
			C11								
			C8								
			C11								
			C8								
			C11								
			C8								
			C11								
			C8								
			C11								
			C8								
			C11								
			C8								
			C11								
			C8								
			C11								
			C8								
			C11								
			C8								
			C11								
			C8								
			C11								
			C8								
			C11								
			C8								
			C11								
			C8								
			C11								
			C8								
			C11								
			C8								
			C11								
			C8								
			C11								
			C8								
			C11								
			C8								
			C11								
			C8								
			C11								
			C8								
			C11								
			C8								
			C11								
			C8								
			C11								
			C8								
			C11								
			C8								
			C11								
			C8								
			C11								
			C8								
			C11								
			C8								
			C11								
			C8								
			C11								
			C8								
			C11								
			C8								
			C11								
			C8								
			C11								
			C8								

N.V. HONDA BENELUX
Wijngaardveld
B - 9300 AALST - BELGIUM

51974 103

PRINTED IN BELGIUM
by Du Caju - Printing - Aalst