

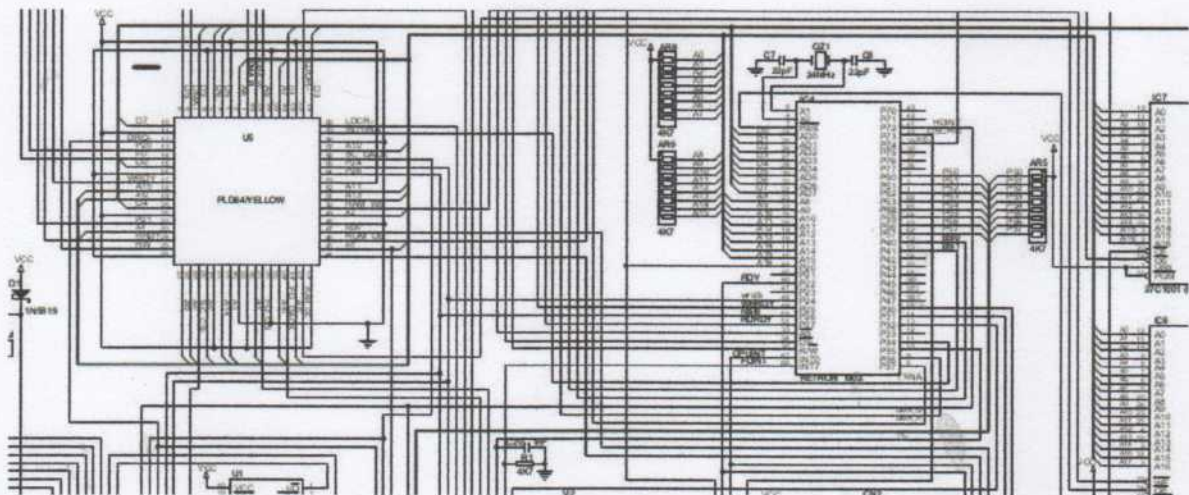
Les

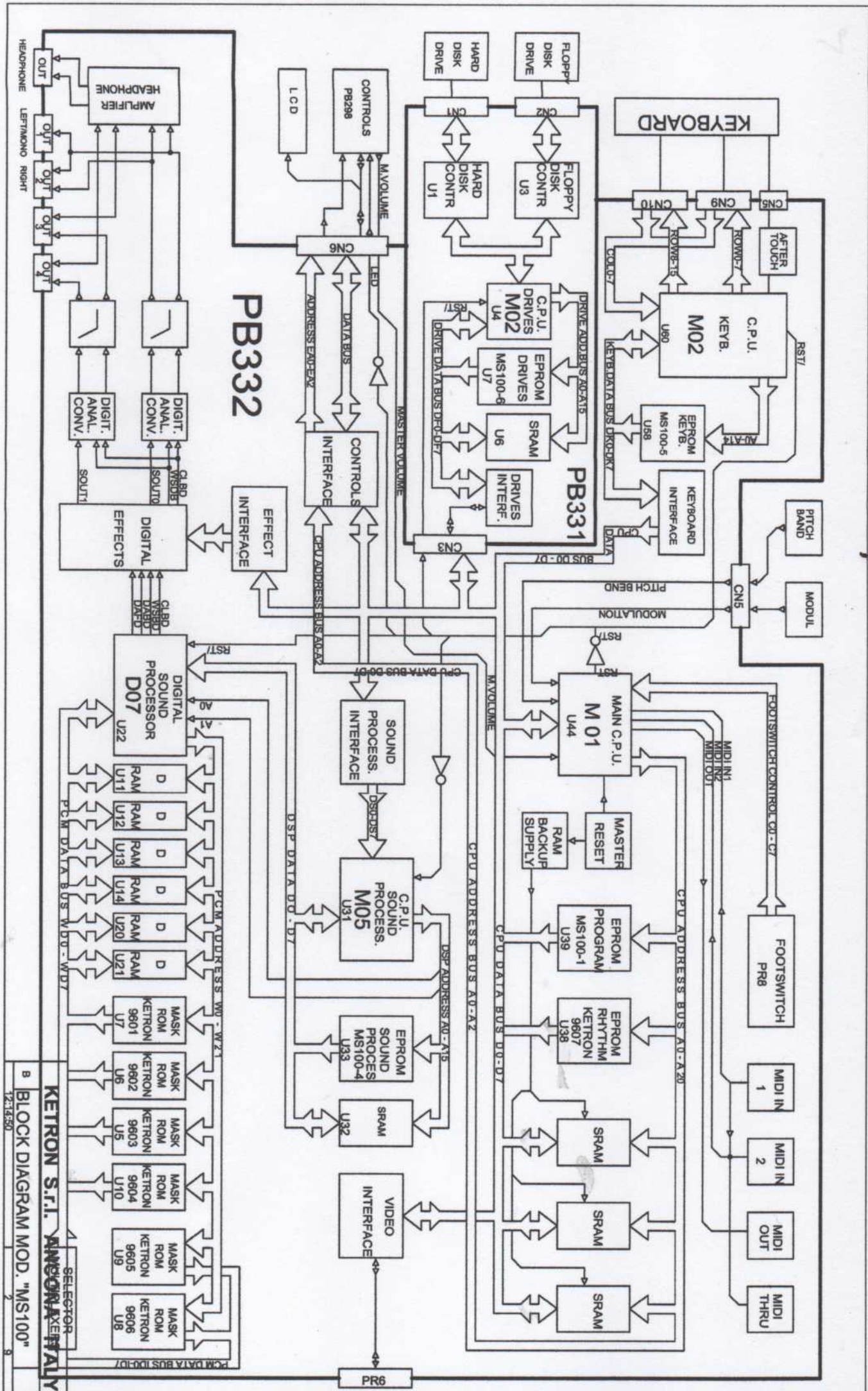
Schémas de circuits

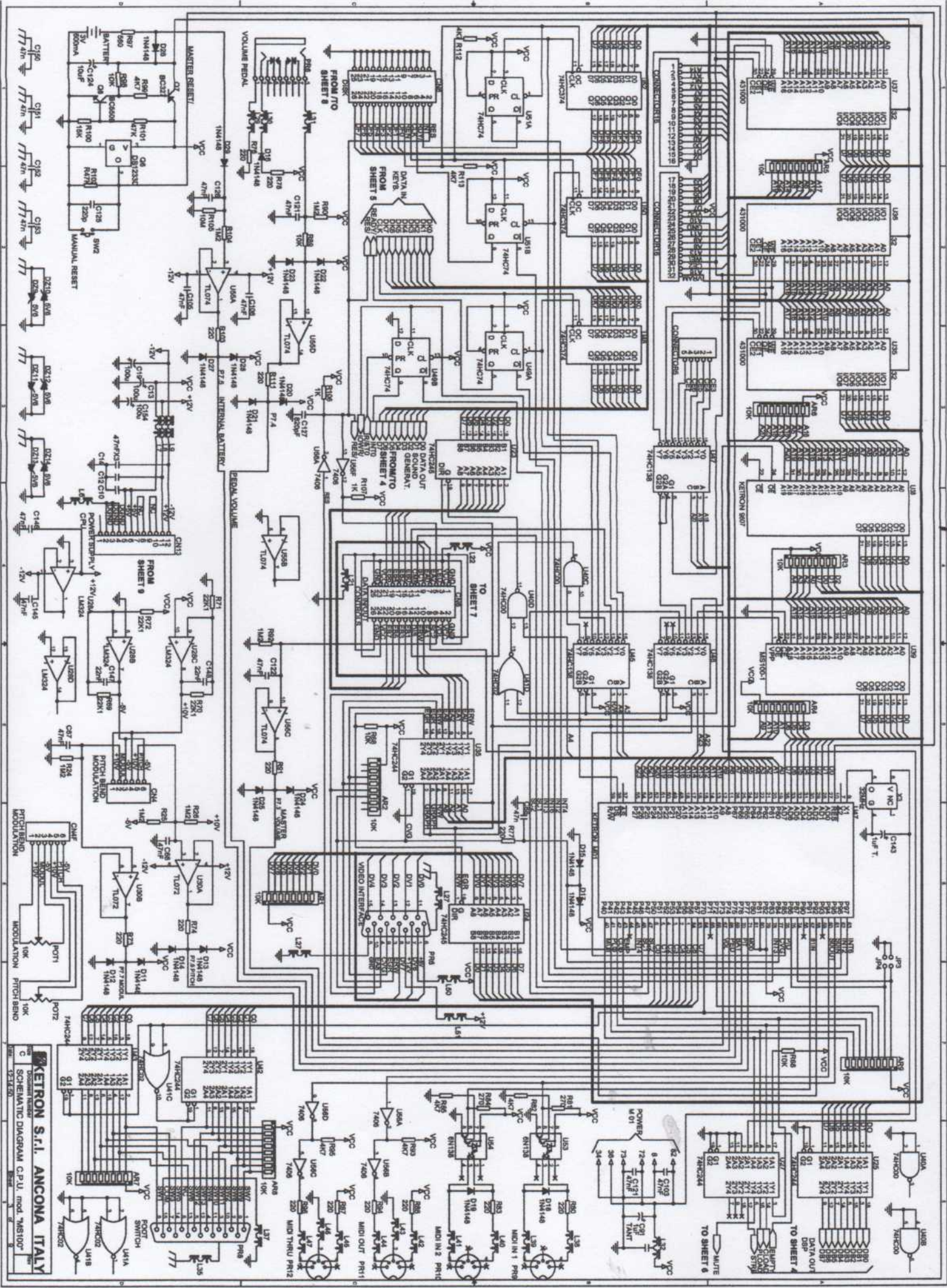
Electroniques

Clavier

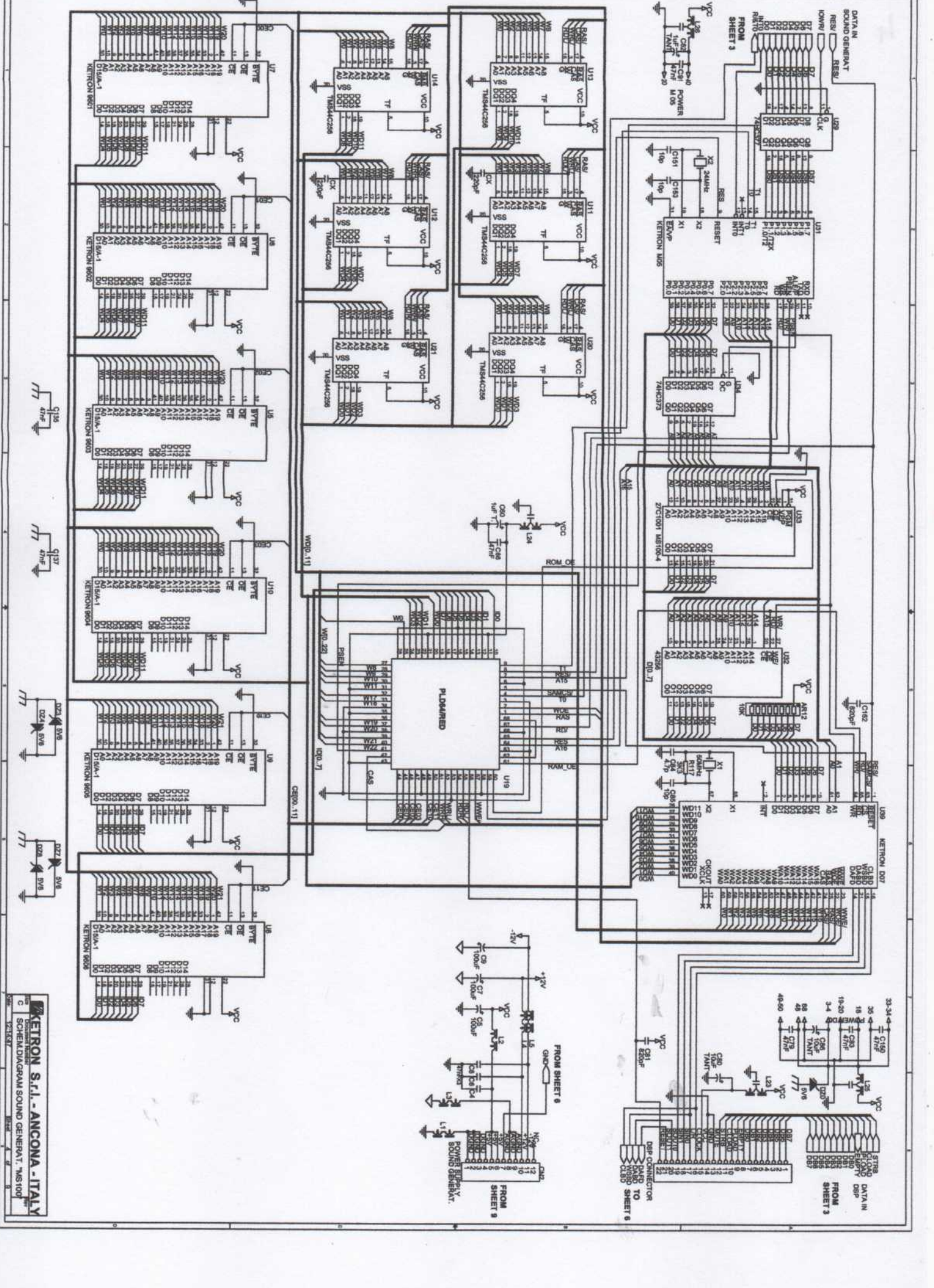
Solton MS 100



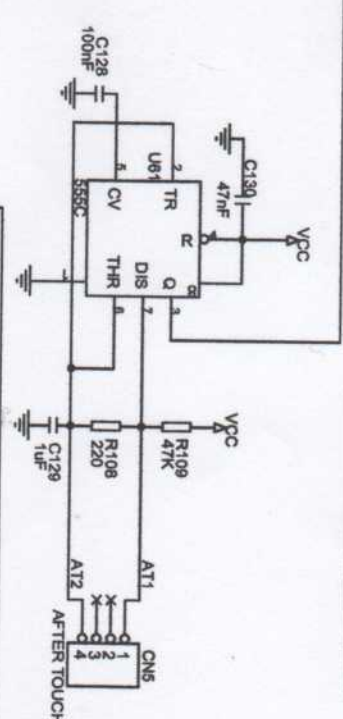
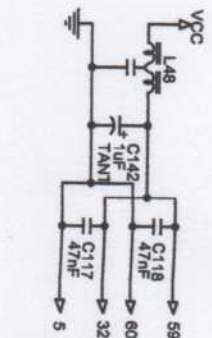
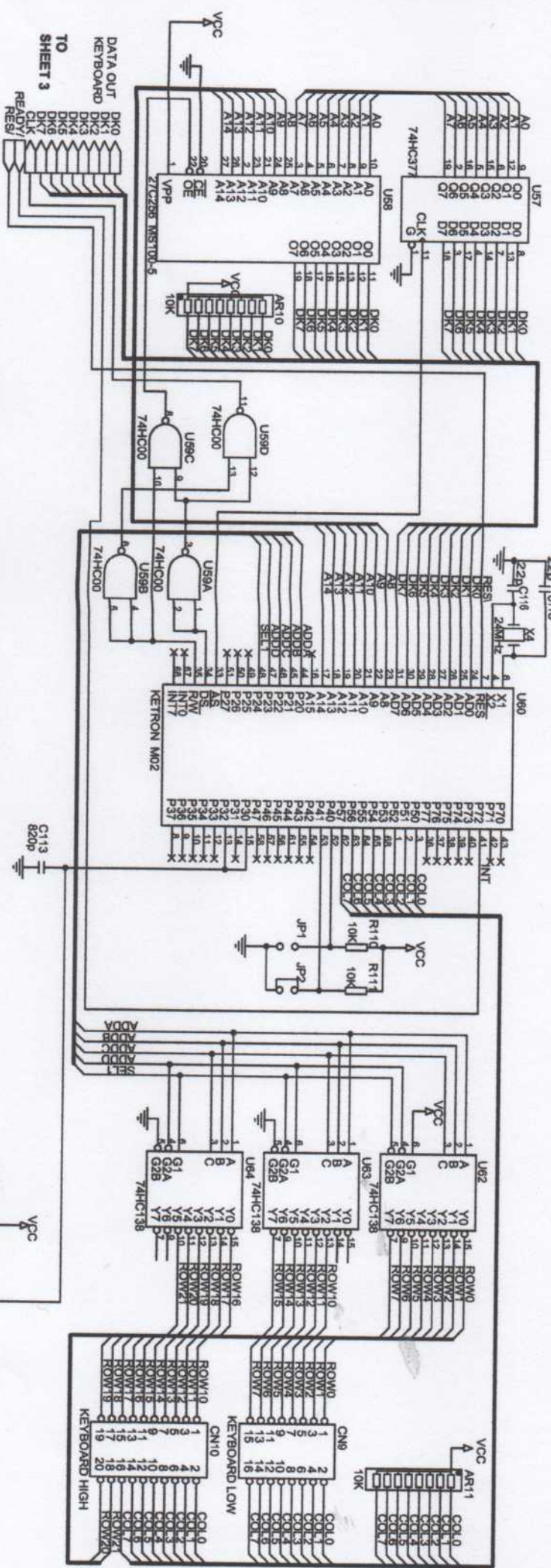




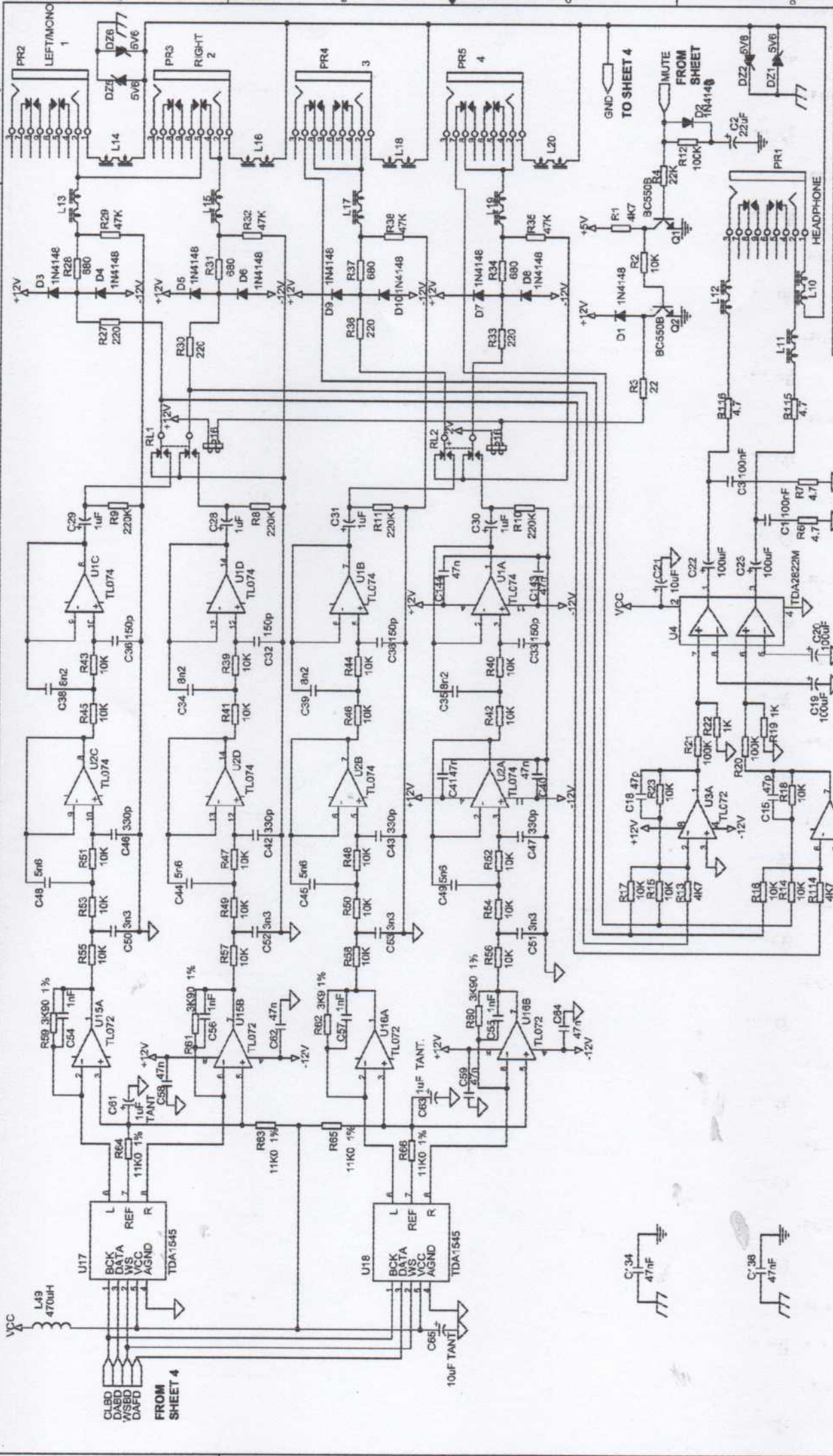
KETRON S.r.l. ANCONA ITALY
 DOKUMENTAZIONE
 SCHEMATICO DIAGRAM C.P.U. mod. "MS100"
 1512120



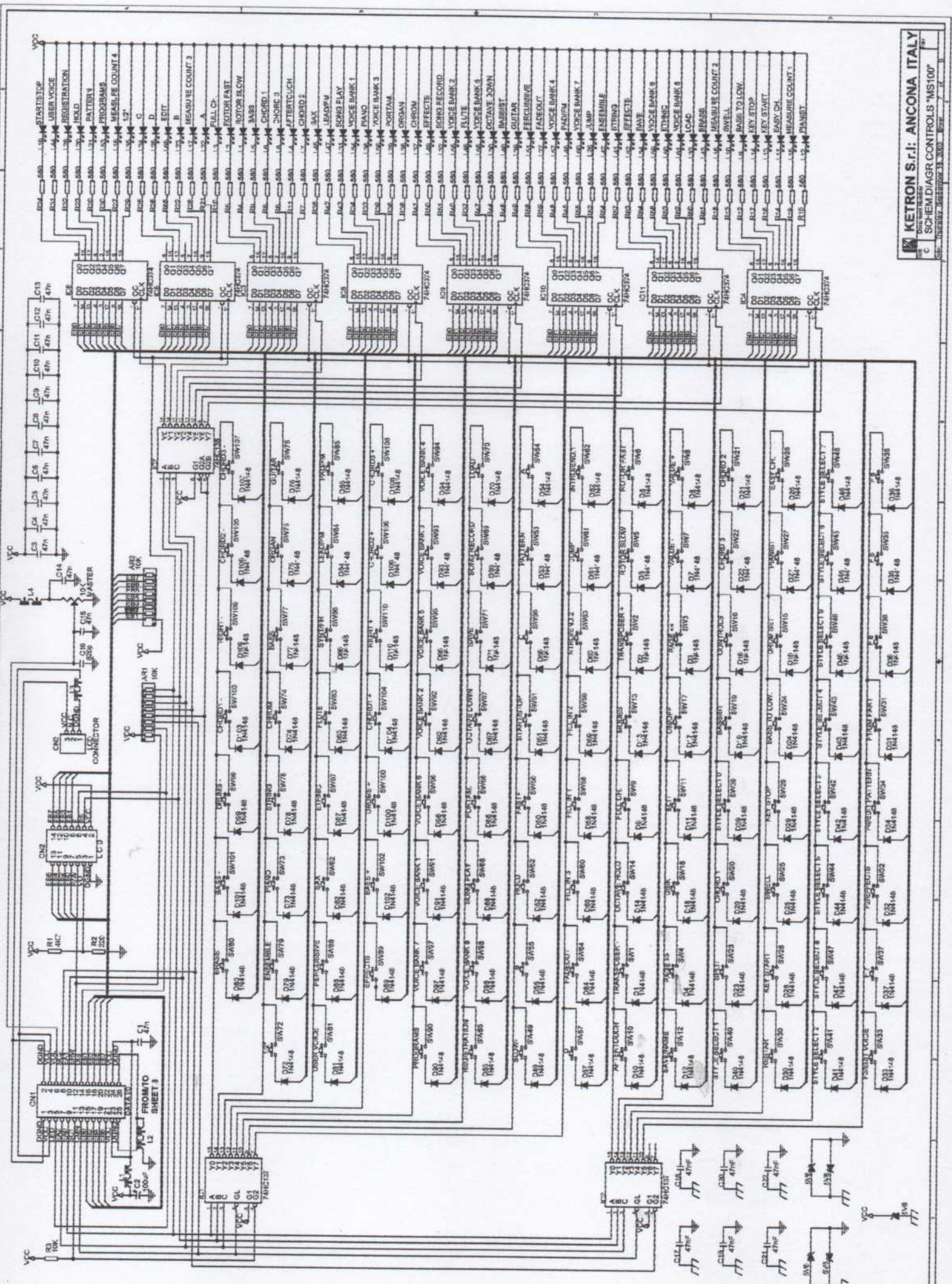
KETRON S.r.l. - ANCONA - ITALY
 SCHEMATIC DIAGRAM SOUND GENERAT. N°S100
 2/13/87



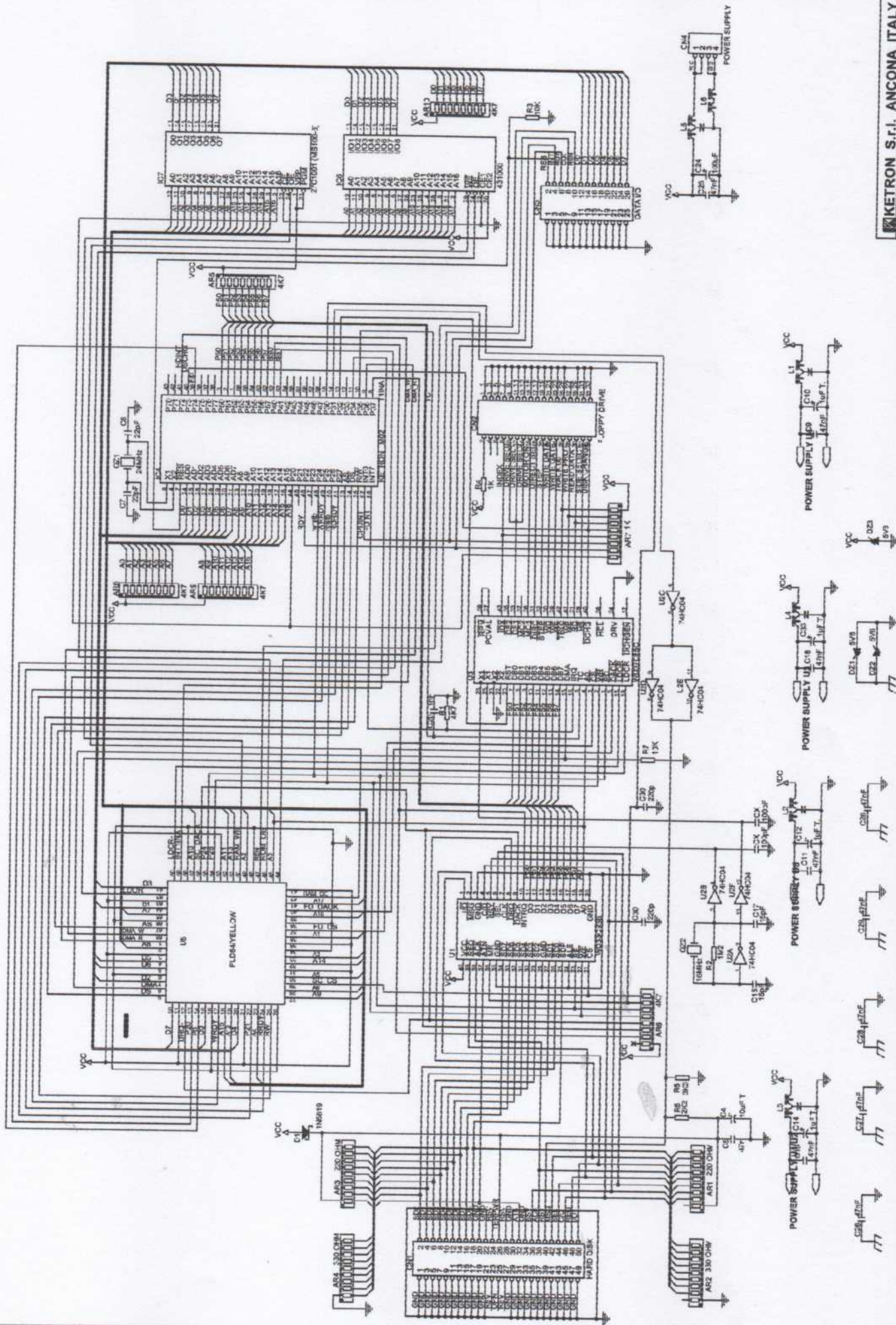
KETRON S.r.l. ANCONA ITALY
 Document Number: SCHEM DIAGRAM KEYBOARD CONTROL "MS100"
 Date: Thursday, September 18, 2003 Sheet 5 of 9



KETRON S.r.l. ANCONA ITALY
 B SCHEM. DIAGRAM FILTER & MIXER "MS100"
 12/13/77

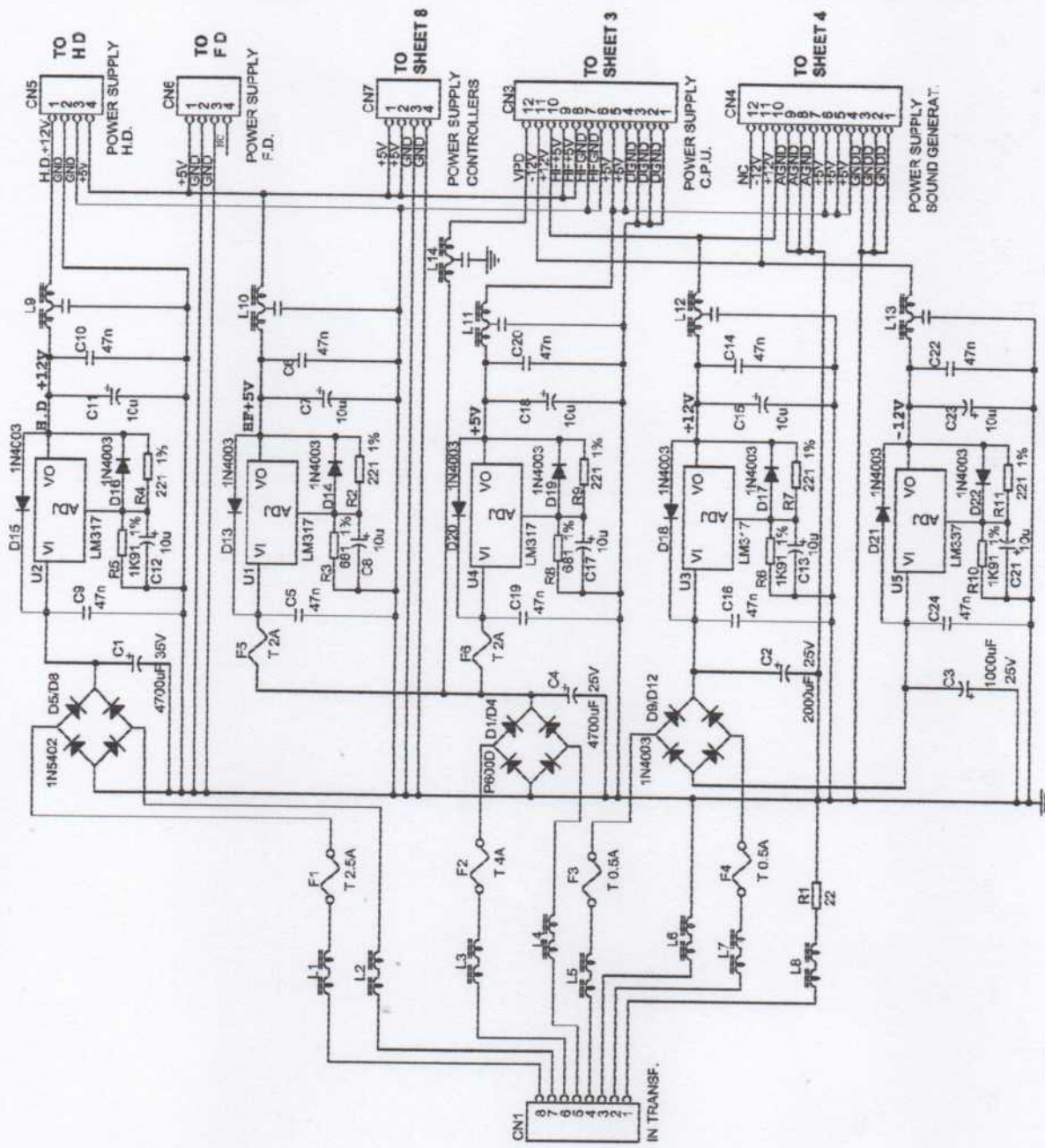
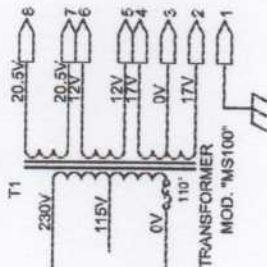
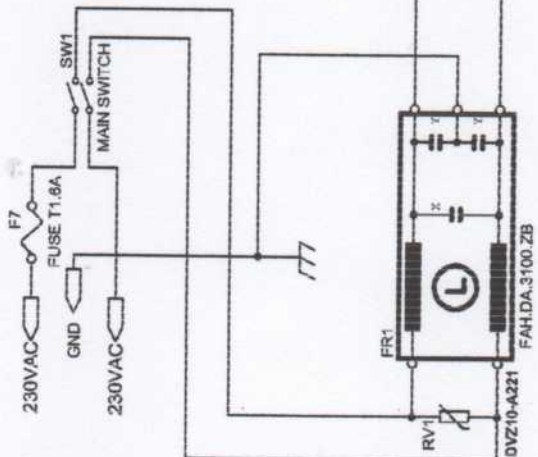


KETRON S.r.l. ANCONA ITALY
 SCHEM. DIAGR. CONTROLS "MS100"
 C. 105/85/87, 105/85/88, 105/85/89, 105/85/90, 105/85/91, 105/85/92



MIKETRON S.r.l. ANCONA ITALY
 VIA S. ANTONIO 10
 60138 ANCONA (AN) ITALY
 TEL. 071/491111
 FAX 071/491112
 C I SC-HEM DIAGR. CONTROLLERS HD/VD
 REV. 01/87

230VAC FUSE: T 1.6A
115VAC FUSE: T 3.15A



KETRON S.r.l. ANCONA ITALY

B SCHEM. DIAGR. POWER SUPPLY "MS100" 1/2/1987

KETRON S.r.l. ANCONA ITALY

MS100 PART LIST

DESCRIPTION	CODE	DESCRIPTION	CODE
PB332 CPU & SOUND GENERATION		PB298 CONTROL	
PRINT BOARD ASSEMBLY..... PB332	31PB332	PRINTED BOARD ASSEMBLY..... PB298	31PB298
INTEGRATED CIRCUIT: TL672	1C1072	INTEGRATED CIRCUIT: 74HC137	1C174HC137
TL074	1C1074	74HC138	1C174HC138
LM324	1C1324	74HC374	1C174HC374
6N138	1C18N138		
/408	1C17408	TOUCH SWITCH	1IP019
74HC00	1C174HC00	LED DIODE 3mm RED	1DL002
74HC02	1C174HC02	LED DIODE 1.8 X 5.3 RED	1DL004
/4HC74	1C174HC74	LED DIODE 1.8 X 5.3 GREEN	1DL005
74HC138	1C174HC138	R NETWORK 10K X 8	1RR002
74HC244	1C174HC244	SIGNAL DIODE 1N4148	1DS008
74HC245	1C174HC245	CHOCKER BL02RN2	1IN003
74HC373	1C174HC373	SMALL GREY PUSH TAB	1BO013
74HC374	1C174HC374	SMALL DARK GREY PUSH TAB	1BO014
74HC377	1C174HC377	SMALL BLACK PUSH TAB	1BO015
TC5316200AP (9601)	1C18901	LARGE GREY PUSH TAB	1BO010
TC5316200AP (9602)	1C18902	LARGE DARK GREY PUSH TAB	1BO011
TC5316200AP (9603)	1C18903	LARGE BLACK PUSH TAB	1BO012
TC5316200AP (9604)	1C18904	LARGE BLUE PUSH TAB	1BO017
TC5316200AP (9605)	1C18905	LARGE RED PUSH TAB	1BO020
TC5316200AP (9606)	1C18906	BASE FOR TAB	1MV070
43256-12LP	1C1RAM32KX812	STEREO POTENTIOMETER	1PS011
44C258A-70P	1C144C258	BLACK SLIDER KNOB	1MS006
431000-70	1C1RAM128KX8	LCD DISPLAY LM40X21A	1DS007
KETRON M01	1C1KETRONM01		
KETRON M02	1C1KETRONM02		
KETRON M05	1C1KETRONM05		
KETRON D07	1C1KETROND07		
LMC555	1C1555		
TDA1545	1C1TDA1545	PB336 POWER SUPPLY	
27C256 (MS100-5)	3MS10005	PRINTED BOARD ASSEMBLY..... PB336	31PB336
27C1001 (MS100-4)	3MS10004	ELECTROLYTIC CAPACITOR 1000uF 25V RAD	1CE1000R25
27C4001 (MS100-1)	3MS10001	2000uF 25V RAD	1CE2000R25
27C8001 (KET9607)	1C18907	4700uF 25V RAD	1CE4700R25
PLD84RED	3PLD84RED	4700uF 35V RAD	1CE4700R35
BC550B	1TRBC550B		
BC560B	1TRBC560B	POWER DIODE 1N4002	1DP001
BC327-25	1TRBC327B	1N5402	1DP003
OS1233D-10	1C1DS1233D	P800D	1DP005
10K X 8	1RR002	BL02RN2	1IN003
470uF	1IN001	DST310	1IN004
BL02RN2	1IN003	T 0.5Amp	1FU0A5
DST 310	1IN004	T 2 Amp	1FU2A
1N4148	1DS008	T 2.5Amp	1FU2A5
5.6V 1W	1DZ5V81	T 4 Amp	1FU4A
24 MHz	1RC008	VOLTAGE REGULATOR LM317T	1C1317
24 MHz	1QZ002	LM337T	1C1337T
50 MHz	1QZ005	HEAT SINK	1MEDKT25TA
32 MHz	1OS001		
AZ830-2C 12DSE	1RL004	PB331 CONTROLLERS HD/FD	
CR2450	1LTL004	PRINTED BOARD ASSEMBLY..... PB331	31PB331
FEMALE 5 POLES DIN SOCKET	1PV021	INTEGRATED CIRCUIT: KE1KRON M02	1C1K1KRONM02
FEMALE JACK STEREO SOCKET	1PV007	WD33C93B	1CW/D33C93B
FEMALE DB15 SOCKET	1CNF015CS	WD37C85C	1CW/D37C85C
FEMALE DB15HD SOCKET	1CNF015CSAD	27C1001 (MS100-8)	3MS10008
TOUCH SWITCH	1IP019	PLD84/YELLOW	3PLD84YELLOW
		43100 - 70LP	1C1RAM128KX8
		74HC04	1C174HC04
		8 X 1K	1RR005
		8 X 4K7	1RR004
		9 X 220	1RR006
		9 X 330	1RR007
		CHOCKER: BL02RN2	1IN003
		DSS7100Z23S12-22	1IN006
		SCHOTTKY DIODE 1N5819	1DP008
		ZENER DIODE 5.6V 1W	1DZ5V61
		CERAMIC RESONATOR 16MHz	1RC006
		CRYSTAL 24MHz	1QZ002
		FLOPPY DISK DRIVE SMD1340	1FDSMD1340
		HARD DISK DRIVE FB540S	1HDFB540S
		WIRING CONNECTIONS	
		MAINS CORD (EUROPE)	1CA001
		MAINS CORD (U.S.A.)	1CA02U
		FLAT CABLES:	
		4 WIRES 35cm AFTER TOUCH	3CVMS10001
		4 WIRES 76cm POWER SUPPLY/CONTROLLER	3CVMS10002
		4 WIRES 83cm POWER SUPPLY/FLOPPY DRIVE	3CVMS10003
		6 WIRES 69cm PITCH-MODUL/CPU	3CVMS10004
		12 WIRES 70cm POWER SUPPLY/CPU-GENER	3CVMS10005
		28 WIRES 17cm CONTROLLERS/CPU	3CVMS10006
		26 WIRES 28cm COMMAND/CPU	3CVMS10007
		34 WIRES 29cm CONTROLLERS/F.D.	3CVMS10008
		50 WIRES 21cm CONTROLLER/H.D.	3CVMS10009
		4 X 0.75 85cm POWER SUPPLY/H.D.	3CVMS10010
		PB301	
		PRINTED BOARD ASSEMBLY..... PB301	31PB301
		PB282 EFFECTS	
		PRINTED BOARD ASSEMBLY..... PB282	31PB282

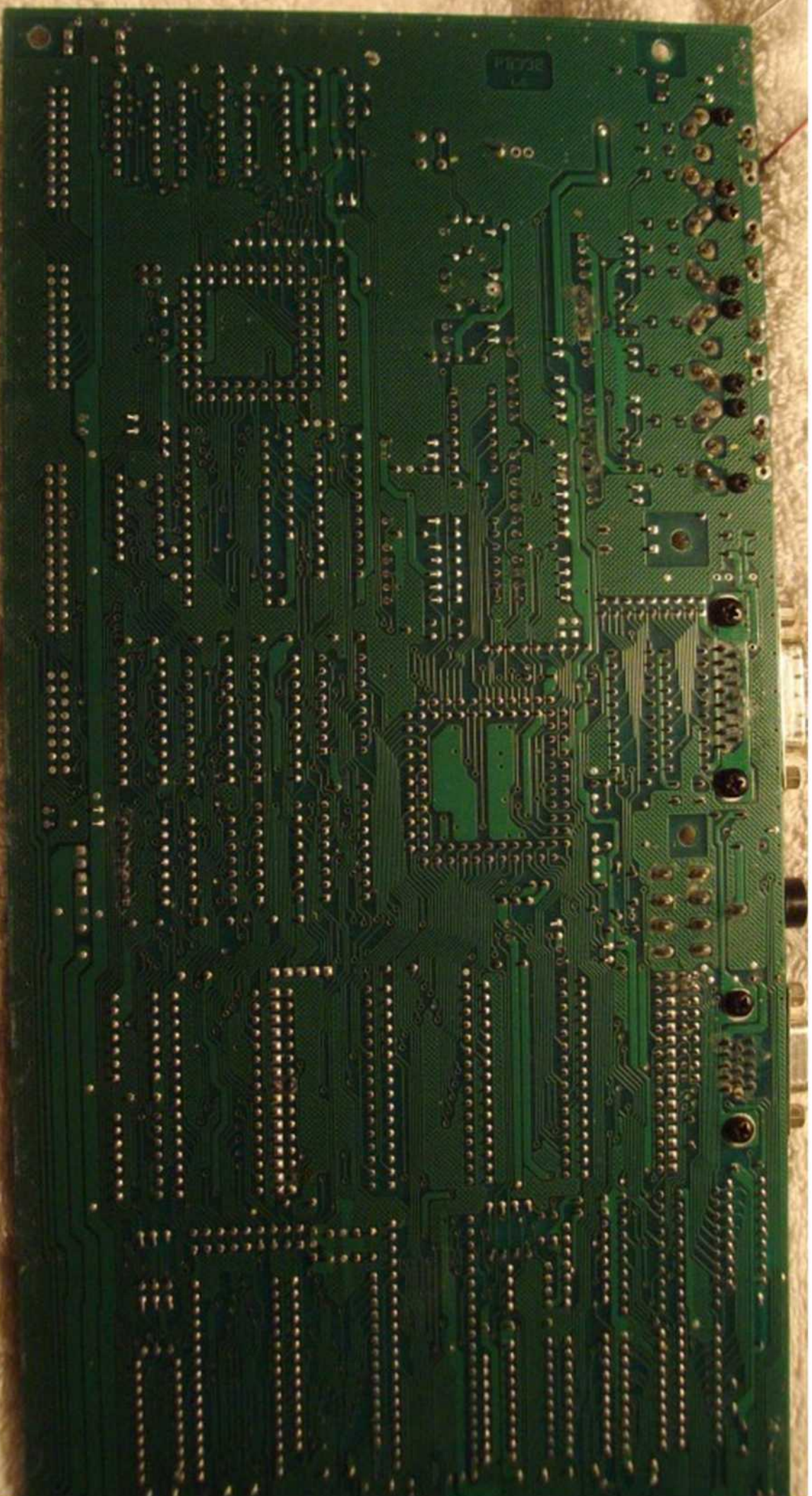
MECHANICAL

METAL COVER	3MEDKT25CO
METAL BOTTOM	3MEDKT25FO
TOP PLASTIC RIGHT SIDE	3MPMS80FSD
BOTTOM PLASTIC RIGHT SIDE	3MPMS80FID
TOP PLASTIC LEFT SIDE	3MPMS80FSS
BOTTOM PLASTIC LEFT SIDE	3MPMS80FIS
SMALL PLASTIC LATERAL	3MPMS80FTP
FLOPPY DISK PLASTIC COVER	3MPDKT25CA
PITCH WHEEL ASSEMBLY	31MEDKTSWP
MODULATION WHEEL ASSEMBLY	31MEDKT4SW
PITCH AND MODULATION ASSEMBLY	33MS5002
DISPLAY SCREEN	3MV082
KEYBOARD ASSEMBLY	1TK024
PRINTED BOARD ASSEMBLY KEYBOARD 32 KEYS	3PBA32
PRINTED BOARD ASSEMBLY KEYBOARD 44 KEYS	3PBA44
C KEY	1TK026
D KEY	1TK025
E KEY	1TK026
F KEY	1TK026
G KEY	1TK026
A KEY	1TK026
B KEY	1TK026
FIRST C KEY	1TK026
SHARP KEY	1TK027
TRANSFORMER 115/230V (U.S.A./EUROPE)	1TS70
MAINS SWITCH	1IR005
MAINS SOCKET	1SV004
MAINS FILTER	1PV033
FUSE 5X20mm T 1.6Amp (EUROPE)	1FU1A6
FUSE 5X20mm T 3.15Amp (U.S.A.)	1FU3A15
MUSIC STAND	3MEDKT4LE2
KIT FOR MUSIC STAND	1MV078

1 face avant



This face arriere



2face avant

PB332

PASSED
0896

ALPINA
EP7064LC68-15
8A9631

KETRON
D 07

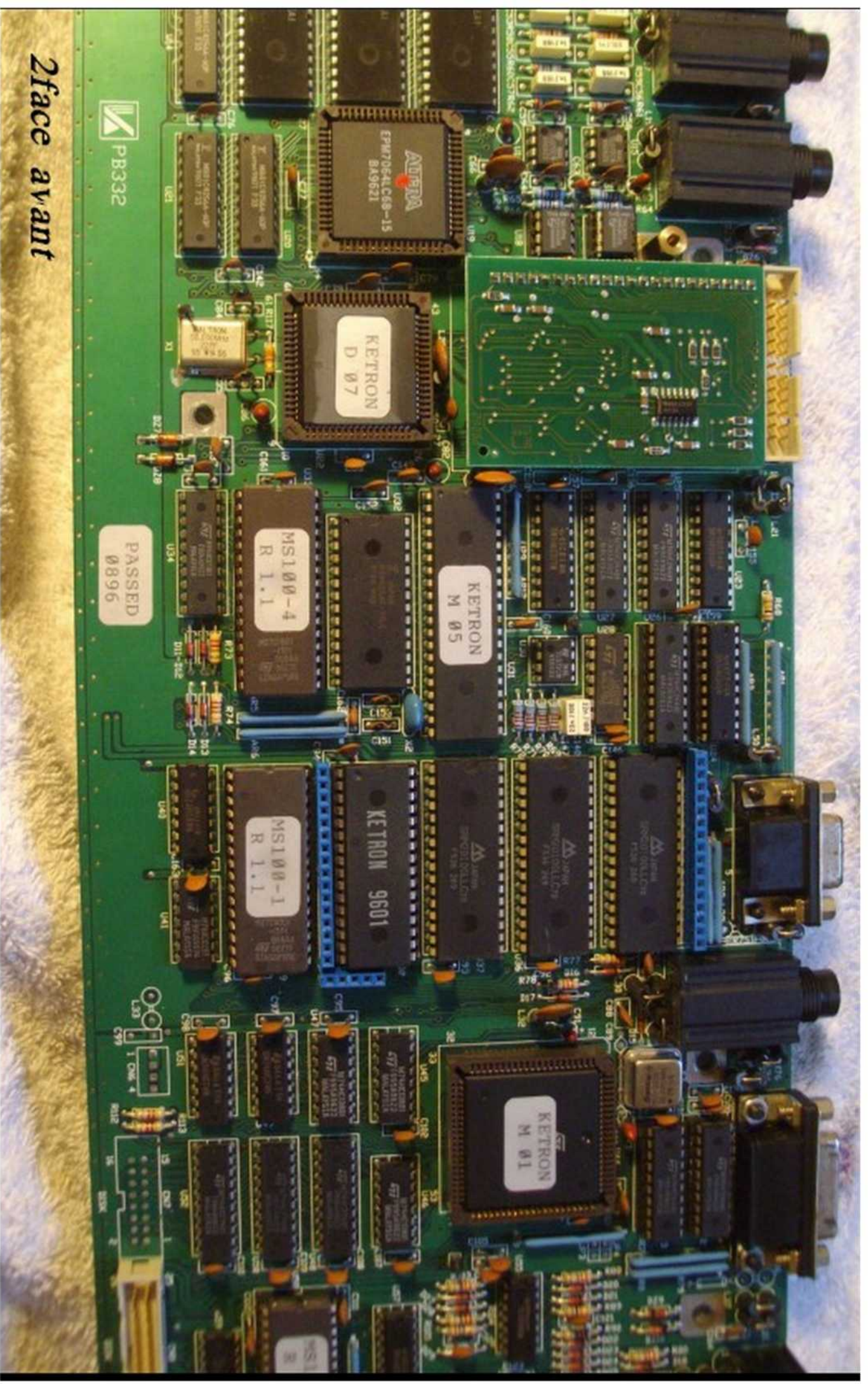
KETRON
M 05

MS100-4
R 1.1

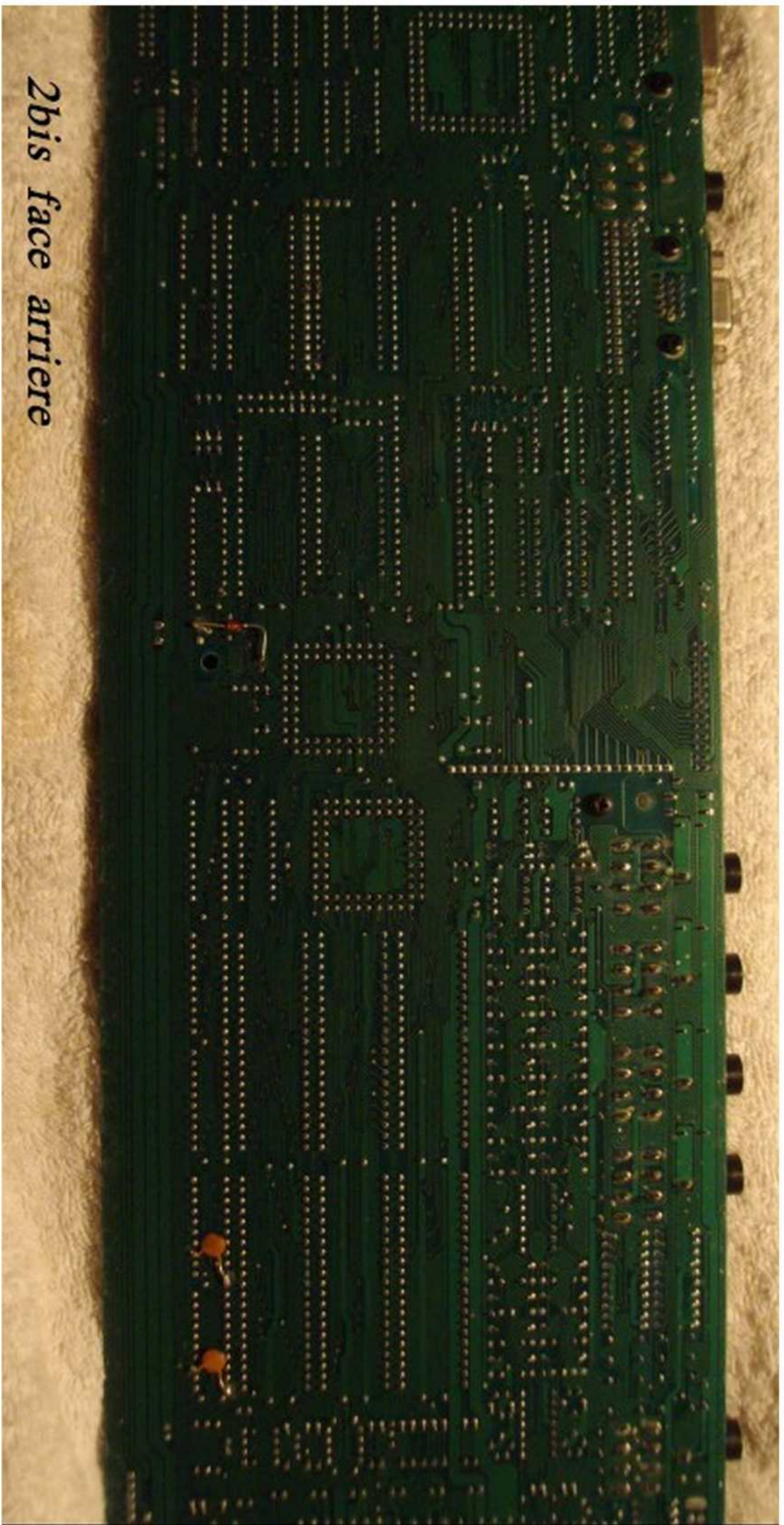
MS100-1
R 1.1

KETRON
9601

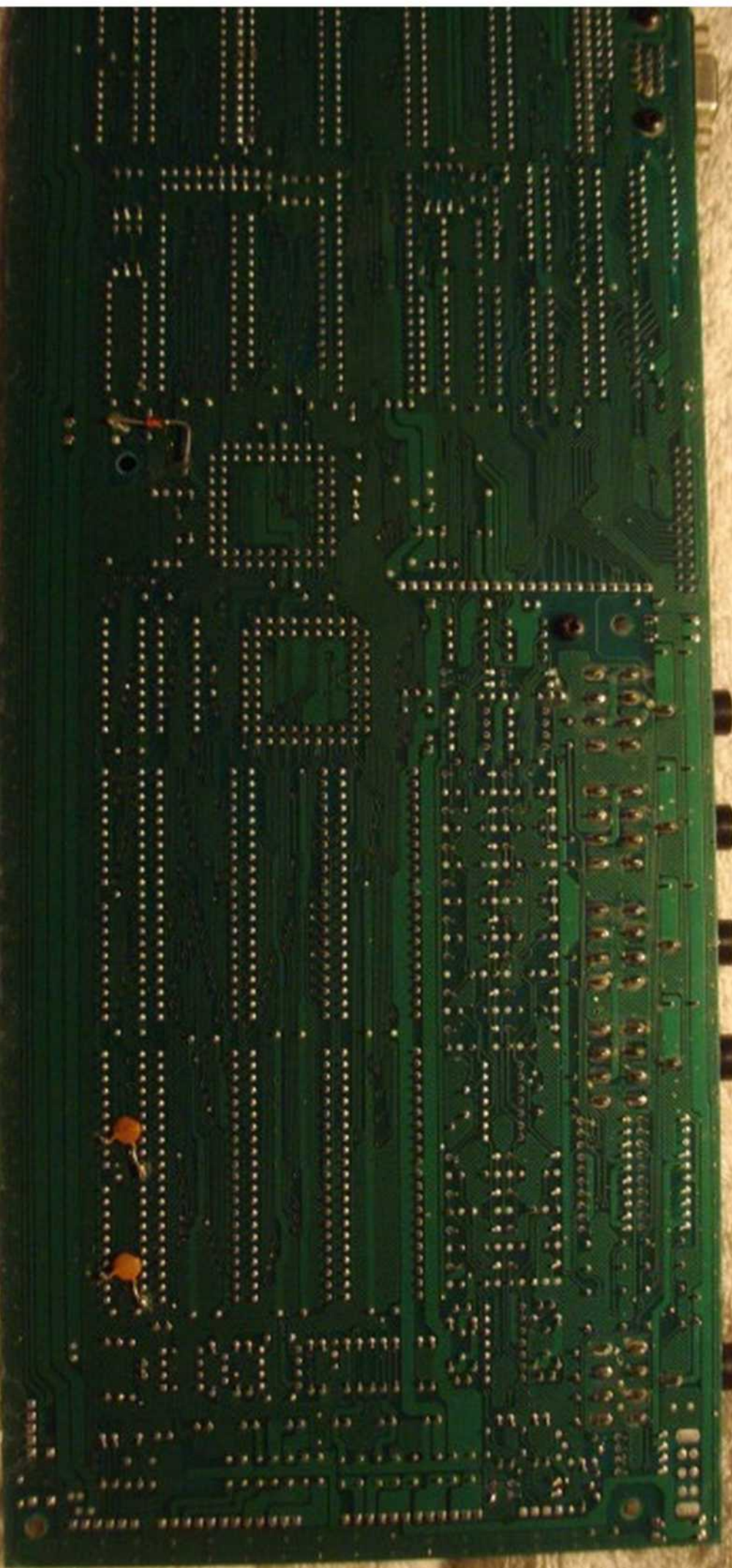
KETRON
M 01



2bis face arriere



3 bis face arriere



3 face avant

