



*Self Diagnosis*  
Supported model

# SERVICE MANUAL

# EX2L-Coriander CHASSIS

MODEL

DEST

MODEL

DEST

**KDL-32V5500**

OIRT/UK/WE

**KDL-46V5500**

OIRT/UK/WE

**KDL-37V5500**

OIRT/UK/WE

**KDL-52V5500**

OIRT/UK/WE

**KDL-40V5500**

OIRT/UK/WE



RM-ED016

FLAT PANEL COLOR TV

**SONY®**

# TABLE OF CONTENTS

<i>Section</i>	<i>Title</i>	<i>Page</i>	<i>Section</i>	<i>Title</i>	<i>Page</i>
<b>1. GENERAL</b>			<b>4. DIAGRAMS</b>		
	Caution .....	3	4-1.	Block Diagram .....	14
	Specifications .....	5	4-2.	Circuit Board Location .....	15
	Connectors .....	7	4-3.	Schematic Diagrams and Printed Wiring Boards .....	15
	Self Diagnosis .....	8		BA Board Schematic Diagram .....	16
<b>2. DISASSEMBLY</b>				D5 Board Schematic Diagram (52 inches) .....	33
2-1.	Rear Cover Removal .....	9		D6 Board Schematic Diagram (52 inches) .....	34
2-2.	Stand Assy Removal .....	9		HL1A Board Schematic Diagram .....	35
2-3.	Under Cover Removal .....	9		HSN Board Schematic Diagram .....	35
2-4.	Loudspeaker Removal .....	9		IP1 Board Schematic Diagram (40 inches) .....	36
2-5.	BA Board Removal (52 inches) .....	10		IP2 Board Schematic Diagram (46 inches) .....	38
2-6.	D5 Board Removal (52 inches) .....	10		BA Printed Wiring Board .....	40
2-7.	D6 Board Removal (52 inches) .....	10		D5 Printed Wiring Board (52 inches) .....	42
2-8.	G2 Board Removal (32 inches) .....	10		D6 Printed Wiring Board (52 inches) .....	43
2-9.	G4 Board Removal (37 inches) .....	11		HL1A Printed Wiring Board .....	41
2-10.	G5 Board Removal (52 inches) .....	11		HSN Printed Wiring Board .....	43
2-11.	HL1A Board Removal .....	11		IP1 Printed Wiring Board (40 inches) .....	44
2-12.	HSN Board Removal .....	11		IP2 Printed Wiring Board (46 inches) .....	46
2-13.	IP1 Board Removal (40 inches) .....	12	<b>5. EXPLODED VIEWS</b>		
2-14.	IP2 Board Removal (46 inches) .....	12	5-1.	Chassis .....	48
<b>3. SERVICE MENUS</b>			5-2.	Bezel .....	50
3-1.	How to enter the Service Mode .....	13	5-3.	Rear Cover & Power Supply Cords .....	51
3-2.	Changing TVM Data Settings .....	13	<b>6. PARTS LIST</b> .....		52
3-3.	Writing TVM Data .....	13			

**WARNING !!**

AN ISOLATION TRANSFORMER SHOULD BE USED DURING ANY SERVICE WORK TO AVOID POSSIBLE SHOCK HAZARD DUE TO LIVE CHASSIS, THE CHASSIS OF THIS RECEIVER IS DIRECTLY CONNECTED TO THE POWER LINE.

**SAFETY-RELATED COMPONENT WARNING !!**

*COMPONENTS IDENTIFIED BY SHADING AND MARKED Δ ON THE EXPLODED VIEWS AND IN THE PARTS LIST ARE CRITICAL FOR SAFE OPERATION. REPLACE THESE COMPONENTS WITH SONY PARTS WHOSE PART NUMBERS APPEAR AS SHOWN IN THIS MANUAL OR IN SUPPLEMENTS PUBLISHED BY SONY.*

## SECTION 1 GENERAL

### CAUTION

#### Lead Free Soldered Boards

The circuit boards used in these models have been processed using Lead Free Solder. The boards are identified by the LF logo located close to the board designation e.g. H1 etc [ see example ]. The servicing of these boards requires special precautions to be taken as outlined below.

example



Lead Free Solder material must be used to comply with environmental requirements of new solder joints. Lead Free Solder is available under the following part numbers :


Partnumber	Diameter	Remarks
7-640-005-19	0.3mm	0.25Kg
7-640-005-20	0.4mm	0.50Kg
7-640-005-21	0.5mm	0.50Kg
7-640-005-22	0.6mm	0.25Kg
7-640-005-23	0.8mm	1.00Kg
7-640-005-24	1.0mm	1.00Kg
7-640-005-25	1.2mm	1.00Kg
7-640-005-26	1.6mm	1.00Kg

Due to the higher melting point of Lead Free Solder the soldering iron tip temperature needs to be set to 370 degrees centigrade. This requires soldering equipment capable of accurate temperature control coupled with a good heat recovery characteristics.

For more information on the use of Lead Free Solder, please refer to <http://www.sony-training.com>

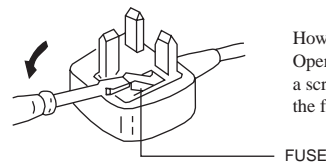
### UK PLUG WARNING

#### WARNING (UK Models only)

The flexible mains lead is supplied connected to a **B.S. 1363** fused plug having a fuse of the correct rating for the set. Should the fuse need to be replaced, use a fuse of the same rating approved by ASTA to **BS 1362**, ie one that carries the  mark.

IF THE PLUG SUPPLIED WITH THIS APPLIANCE IS NOT SUITABLE FOR THE OUTLET SOCKETS IN YOUR HOME, IT SHOULD BE CUT OFF AND AN APPROPRIATE PLUG FITTED. THE PLUG SEVERED FROM THE MAINS LEAD MUST BE DESTROYED AS A PLUG WITH BARED WIRES IS DANGEROUS IF ENGAGED IN A LIVE SOCKET.

When an alternative type of plug is used, it should be fitted with the correct rating fuse, otherwise the circuit should be protected by the same rating fuse at the distribution board.



How to replace the fuse.  
Open the fuse compartment with a screwdriver blade and replace the fuse.

#### LCD PANEL CAUTION

Whilst working on this product, it is not recommended to lay the TV set face down when powered up, as this can result in panel problems. If it is necessary to power up the TV set when face down, the time should be minimised as much as possible.





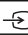









**Due to changes in the caution note for MDF-61 connector, the caution note has been placed in Appendix-A.**

## SPECIFICATIONS

Model name		KDL-52V55/56xx	KDL-46V55/56xx, 46W55/57xx, 46WE5xx	KDL-40V55/56xx, 40W55/57xx, 40WE5xx, 40E55xx	KDL-37V55/56xx, 37W55/57xx	KDL-32V55/56xx, 32W55/57xx, 32E55xx
<b>Power and others</b>						
Power requirements		220 V – 240 V AC, 50 Hz				
Screen size (measured diagonally)		52 inches (Approx. 132.2 cm)	46 inches (Approx. 116.8 cm)	40 inches (Approx. 101.6 cm)	37 inches (Approx. 93.98 cm)	32 inches (Approx. 81.28 cm)
Display resolution		1,920 dots (horizontal) × 1,080 lines (vertical)				
Power consumption	in “Home”/ “Standard” mode	195 W	162 W (KDL-46V55/56xx) 172 W (KDL-46W55/57xx) W (KDL-46WE5xx)	137 W (KDL-40V55/56xx) 131 W (KDL-40W55/57xx, 40E55xx) W (KDL-40WE5xx)	132 W (KDL-37V55/56xx) 140 W (KDL-37W55/57xx)	89 W (KDL-32V55/56xx) 81 W (KDL-32W55/57xx, 32E55xx)
	in “Shop”/ “Vivid” mode	257 W	206 W (KDL-46V55/56xx) 221 W (KDL-46W55/57xx) W (KDL-46WE5xx)	179 W (KDL-40V55/56xx) 172 W (KDL-40W55/57xx, 40E55xx) W (KDL-40WE5xx)	171 W (KDL-37V55/56xx) 179 W (KDL-37W55/57xx)	109 W (KDL-32V55/56xx) 99 W (KDL-32W55/57xx, 32E55xx)
Standby power consumption*		0.17 W (17 W when “Quick Start” is set to “On”)				
Optional accessories	Wall-Mount Bracket	SU-WL500				
	TV stand	SU-FL300M				

Model name	KDL-52V55/56xx	KDL-46V55/56xx, 46W55/57xx, 46WE5xx	KDL-40V55/56xx, 40W55/57xx, 40WE5xx, 40E55xx	KDL-37V55/56xx, 37W55/57xx	KDL-32V55/56xx, 32W55/57xx, 32E55xx
<b>Dimensions (Approx.) (w × h × d)</b>					
with Table-Top Stand	126.2 x 86.9 x 35.8 cm	112.3 x 77.1 x 33.0 cm (KDL-46V55/56xx) 112.3 x 77.2 x 33.0 cm (KDL-46W55/57xx, 46WE5xx)	98.7 x 68.4 x 30.3 cm (KDL-40V55/56xx) 98.7 x 68.6 x 30.3 cm (KDL-40W55/57xx, 40WE5xx) 101.6 x 68.0/66.3 (high/low) x 30.3 cm (KDL-40E55xx)	91.7 x 64.8 x 30.3 cm (KDL-37V55/56xx) 91.7 x 64.9 x 30.3 cm (KDL-37W55/57xx)	79.8 x 58.4 x 25.9 cm (KDL-32V55/56xx) 79.8 x 58.5 x 25.9 cm (KDL-32W55/57xx) 82.7 x 57.7/55.9 (high/low) x 25.9 cm (KDL-32E55xx)
without Table-Top Stand	126.2 x 82.2 x 11.6 cm	112.3 x 72.3 x 9.7 cm (KDL-46V55/56xx) 112.3 x 72.5 x 9.7 cm (KDL-46W55/57xx) 112.3 x 72.5 x 10.9 cm (KDL-46WE5xx)	98.7 x 63.6 x 9.4 cm (KDL-40V55/56xx) 98.7 x 63.8 x 9.4 cm (KDL-40W55/57xx) 98.7 x 63.8 x 10.6 cm (KDL-40WE5xx) 101.6 x 64.3 x 9.8 cm (KDL-40E55xx)	91.7 x 60.0 x 9.2 cm (KDL-37V55/56xx) 91.7 x 60.2 x 9.2 cm (KDL-37W55/57xx)	79.8 x 53.6 x 9.1 cm (KDL-32V55/56xx) 79.8 x 53.7 x 9.1 cm (KDL-32W55/57xx) 82.7 x 53.9 x 9.4 cm (KDL-32E55xx)
<b>Mass (Approx.)</b>					
with Table-Top Stand	35.0 kg	27.0 kg (KDL-46V55/56xx) 27.5 kg (KDL-46W55/57xx, 46WE5xx)	20.5 kg (KDL-40V55/56xx, 40E55xx) 21.0 kg (KDL-40W55/57xx, 40WE5xx)	18.0 kg (KDL-37V55/56xx) 18.5 kg (KDL-37W55/57xx)	14.5 kg (KDL-32V55/56xx, 32E55xx) 15.0 kg (KDL-32W55/57xx)
without Table-Top Stand	30.5 kg	23.5 kg (KDL-46V55/56xx) 24.0 kg (KDL-46W55/57xx, 46WE5xx)	17.5 kg (KDL-40V55/56xx) 18.0 kg (KDL-40W55/57xx, 40WE5xx, 40E55xx)	15.0 kg (KDL-37V55/56xx) 15.5 kg (KDL-37W55/57xx)	12.0 kg (KDL-32V55/56xx) 12.5 kg (KDL-32W55/57xx, 32E55xx)

\*Specified standby power is reached after the TV finishes necessary internal processes.  
Design and specifications are subject to change without notice.

System	
Panel system	LCD (Liquid Crystal Display) Panel
TV system	Analogue: Depending on your country/area selection: B/G/H, D/K, L, I Digital: DVB-T/DVB-C
Colour/video system	Analogue: PAL, PAL60 (only video input), SE CAM, NTSC3.58, NTSC4.43 (only video input) Digital: MPEG-2 MP@ML/HL, H.264/MPEG-4 AVC MP/HP@L4
Channel coverage	Analogue: VHF: E2-E12/UHF: E21-E69/CATV: S1-S20/HYPER: S21-S41 D/K: R1-R12, R21-R69/L: F2-F10, B-Q, F21-F69/I: UHF B21-B69 Digital: VHF/UHF
Sound output	10 W + 10 W
Input/Output jacks	
Aerial/Antenna cable	75 ohm external terminal for VHF/UHF
 AV 1	21-pin scart connector (CENELEC standard) including audio/video input, RGB input and TV audio/video output.
 AV 2	21-pin scart connector (CENELEC standard) including audio/video input, RGB input and selectable audio/video output.
 COMPONENT IN	Supported formats: 1080p, 1080i, 720p, 576p, 576i, 480p, 480i Y: 1 Vp-p, 75 ohms, 0.3V negative sync/Pb/Cb: 0.7 Vp-p, 75 ohms/ Pr/Cr: 0.7 Vp-p, 75 ohms
 COMPONENT IN	Audio input (phono jacks)
HDMI IN 1, 2, 3, 4	Video: 1080/24p, 1080p, 1080i, 720p, 576p, 576i, 480p, 480i Audio: Two channel linear PCM: 32, 44.1 and 48 kHz, 16, 20 and 24 bits, Dolby Digital Analogue audio input (minijack) (HDMI IN1 only) PC Input (See below)
 AV 3	Video input (phono jack)
 AV 3	Audio input (phono jacks)
 DIGITAL AUDIO OUT (OPTICAL)	Digital optical jack
	Audio output (phono jacks)
 PC IN	PC Input (D-sub 15-pin) (page 50) G: 0.7 Vp-p, 75 ohms, non Sync on Green/B: 0.7 Vp-p, 75 ohms/ R: 0.7 Vp-p, 75 ohms/HD: 1-5 Vp-p/VD: 1-5 Vp-p  PC audio input (minijack)
	USB port
	Headphones jack
	CAM (Conditional Access Module) slot
 LAN	10BASE-T/100BASE-TX connector (Depending on the operating environment of the network, connection speed may differ. 10BASE-T/100BASE-TX communication rate and communication quality are not guaranteed for this TV.)

#### PC input signal reference chart for PC and HDMI IN 1, 2, 3, 4

Resolution					
Signals	Horizontal (Pixel)	× Vertical (Line)	Horizontal frequency (kHz)	Vertical frequency (Hz)	Standard
VGA	<b>640</b>	× <b>480</b>	<b>31.5</b>	<b>60</b>	<b>VGA</b>
	640	× 480	37.5	75	VESA
	720	× 400	31.5	70	VGA-T
SVGA	<b>800</b>	× <b>600</b>	<b>37.9</b>	<b>60</b>	<b>VESA Guidelines</b>
	800	× 600	46.9	75	VESA
XGA	<b>1024</b>	× <b>768</b>	<b>48.4</b>	<b>60</b>	<b>VESA Guidelines</b>
	1024	× 768	56.5	70	VESA
	1024	× 768	60.0	75	VESA
WXGA	<b>1280</b>	× <b>768</b>	<b>47.4</b>	<b>60</b>	<b>VESA</b>
	<b>1280</b>	× <b>768</b>	<b>47.8</b>	<b>60</b>	<b>VESA</b>
	1280	× 768	60.3	75	
	<b>1360</b>	× <b>768</b>	<b>47.7</b>	<b>60</b>	<b>VESA</b>
SXGA	<b>1280</b>	× <b>1024</b>	<b>64.0</b>	<b>60</b>	<b>VESA</b>
HDTV	<b>1920</b>	× <b>1080</b>	<b>67.5</b>	<b>60</b>	<b>CEA-861*</b>

\* 1080p timing when applied to the HDMI input will be treated as a video timing and not a PC timing. This affects the “Video Settings” menu and “Screen” menu settings.

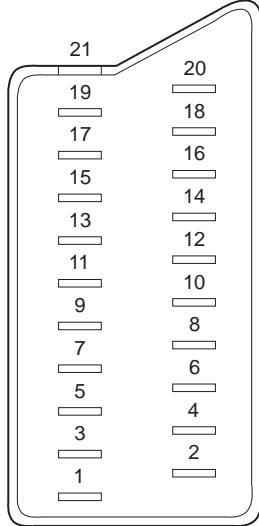
To view PC contents, set “Screen Format” to “Wide” and “Display Area” to “Full Pixel”.

~

- This TV’s PC input does not support Sync on Green or Composite Sync.
- This TV’s PC input does not support interlaced signals.
- For the best picture quality, it is recommended to use the signals in the above chart with a 60 Hz vertical frequency (boldfaced).

# CONNECTORS

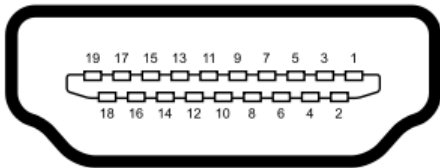
## 21 Pin Connector (SCART)



Pin No	1	2	Signal	Signal level
1	○	○	Audio output B (right)	Standard level : 0.5V rms Output impedance : Less than 1kohm*
2	○	○	Audio input B (right)	Standard level : 0.5V rms Output impedance : More than 10kohm*
3	○	○	Audio output A (left)	Standard level : 0.5V rms Output impedance : Less than 1kohm*
4	○	○	Ground (audio)	
5	○	○	Ground (blue)	
6	○	○	Audio input A (left)	Standard level : 0.5V rms Output impedance : More than 10kohm*
7	○	○	Blue input	0.7 +/- 3dB, 75 ohms positive
8	○	○	Function select (AV control)	High state (9.5-12V) : Part mode Low state (0-2V) : TV mode Input impedance : More than 10K ohms Input capacitance : Less than 2nF
9	○	○	Ground (green)	
10	●	○	AVlink	
11	○	○	Green	Green signal : 0.7 +/- 3dB, 75 ohms, positive
12	●	●	Open	
13	○	○	Ground (red)	
14	○	○	Ground (blanking)	
15	○	○	Red input	0.7 +/- 3dB, 75 ohms, positive
	-	-	(S signal Chroma input)	0.3 +/- 3dB, 75 ohms, positive
16	○	○	Blanking input (Ys signal)	High state (1-3V) Low state (0-0.4V) Input impedance : 75 ohms
17	○	○	Ground (video output)	
18	○	○	Ground (video input)	
19	○	○	Video output	1V +/- 3dB, 75ohms, positive sync 0.3V (-3+10dB)
20	○	○	Video input	1V +/- 3dB, 75ohms, positive sync 0.3V (-3+10dB)
	-	-	Video input Y (S signal)	1V +/- 3dB, 75ohms, positive sync 0.3V (-3+10dB)
21	○	○	Common ground (plug, shield)	

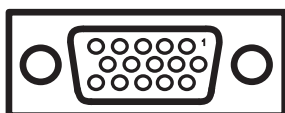
○ Connected ● Not Connected (open) \* at 20Hz - 20kHz

## HDMI Connector



Pin No	Signal Assignment	Pin No	Signal Assignment
1	TMDS Data2+	11	TMDS Clock Shield
2	TMDS Data2 Shield	12	TMDS Clock-
3	TMDS Data2-	13	CEC
4	TMDS Data1+	14	Reserved (N.C. on device)
5	TMDS Data1 Shield	15	SCL
6	TMDS Data1-	16	SDA
7	TMDS Data0+	17	DDC/CEC Ground
8	TMDS Data0 Shield	18	+5V Power
9	TMDS Data0-	19	Hot Plug Detect
10	TMDS Clock+		

## 15 Pin D Sub Connector (PC)



Pin No	Signal Assignment	Pin No	Signal Assignment
1	Red Out	9	+5V DC
2	Green Out	10	Sync Return (Ground)
3	Blue Out	11	Monitor ID0 in Display
4	Unused	12	DCC Serial Data
5	Ground	13	Horizontal Sync
6	Red Return	14	Vertical Sync
7	Green Return (Ground)	15	DCC Serial Clock
8	Blue Return (Ground)		



## EX2L SELF DIAGNOSTIC SOFTWARE

The identification of errors within the EX2L chassis is triggered in one of two ways :- 1: Busy or 2: Device failure to respond to IIC. In the event of one of these situations arising the software will first try to release the bus if busy (Failure to do so will report with a continuous flashing LED) and then communicate with each device in turn to establish if a device is faulty. If a device is found to be faulty the relevant device number will be displayed through the LED (Series of flashes which must be counted).

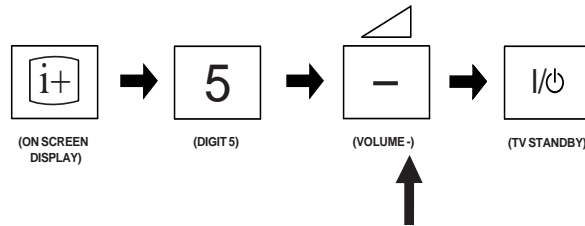
### LED Error Codes and Descriptions

LED Flashes	Error Description	Error (Comp Ref)
02	Main Power Error	Pwr_Err
05	DC_Alert3	DC_Alt
06	Backlight Error	Bck_Lgt
07	Thermal Error	Thm_Err
08	Audio Error	Aud_Err
10	Digital FE/BE Error	Dig_Err
12	HFR Error (T-Con)	Hfr_Err
13	Balancer Error	Bal_Err
14	T-Con Error	Tcn_Err

### Self Diagnostic Screen Display

#### To bring up the self diagnostic screen display

In standby mode, press the following buttons on the remote commander sequentially in rapid succession as shown below:



Note that this differs from entering the service mode (Volume **[+]**)

The following menu appears as shown below:

```

SELF CHECK
002 MAIN_PEW      0000000000  0000000000  0000000000  00
012 HFR_ER       0000000000  0000000000  0000000000  00
006 BACKLLE     0000000000  0000000000  0000000000  00

007 TEMP_E      0000000000  0000000000  0000000000  00
008 AUD_PR      0000000000  0000000000  0000000000  00
010 DTT_WD      0000000000  0000000000  0000000000  00
005 DC_ALE3T    0000000000  0000000000  0000000000  00

013 BALANC_R    0000000000  0000000000  0000000000  00
014 TCON_E      0000000000  0000000000  0000000000  00

00215-02325-00190
    
```

WORKING TIME (BOTTOM LEFT CORNER)  
 xxxxx-yyyyy-zzzzzz(e.g. 00215-02325-00190)

1. xxxxx = Total Operation time  
     Working time Stby+ Power On
2. yyyy = Boot count  
     Power on / off / Stby operations
3. zzzzz = Working Hours (Panel)  
     Panel working time (backlight is on)

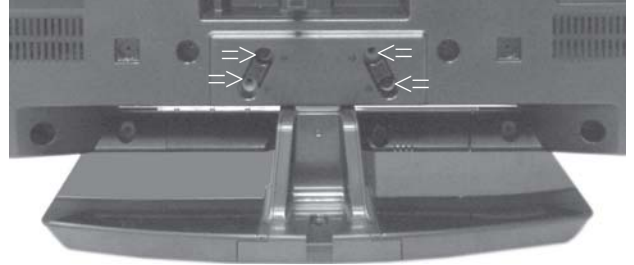
To exit the “Self Diagnostic Screen Display” please turn the TV set off and then on again.

## SECTION 2 DISASSEMBLY

### 2-1. Rear Cover Removal

**See Appendix-B.**

### 2-2. Stand Assy Removal

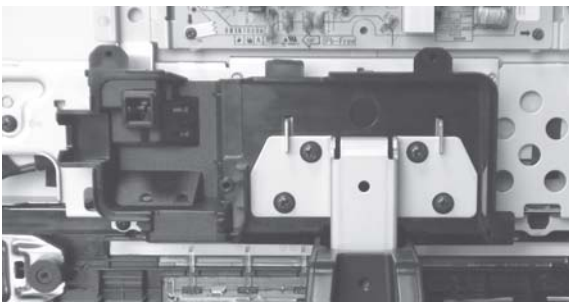


Remove the 4 stand fixing screws indicated and lift the TV set up and away from the 'Stand assy'.

Screw Part number(s) and Description(s)

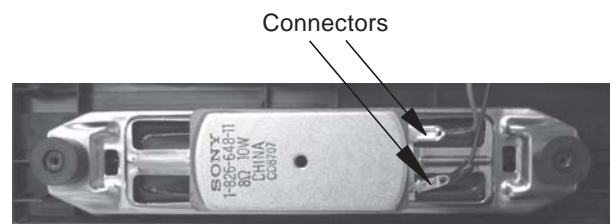
1) 2-580-608-01 SCREW, +PSW M5X16

### 2-3. Under Cover Removal



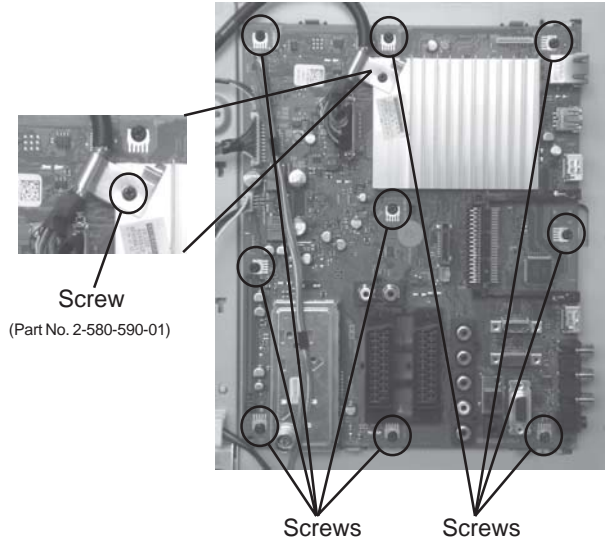
To remove the 'Under Cover' first remove the Rear Cover (See Sec 2-2-1) and then the Stand (See Sec 2-2-2). The 'Under Cover' can then be gently pulled away from the back of the TV set.

### 2-4. Loudspeaker Removal



To remove the 'Loudspeaker' first remove the Rear Cover (See Sec 2-2-1). Disconnect the 'Loudspeaker' connectors and pull the 'Loudspeaker' gently away from the back of the TV set.

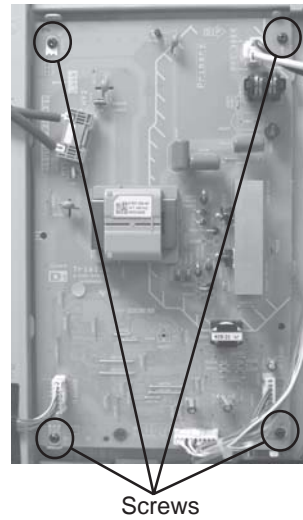
### 2-5. BA Board Removal



To remove the 'BA' board remove the 1 screw securing the cable clip, disconnect all connectors and then remove the 9 screws circled and ease the board gently away from the back of the TV set.

Screw Part number(s) and Description(s)  
2-580-629-01 SCREW, +BVST 3X8

### 2-6. D5 Board Removal (52 inches)

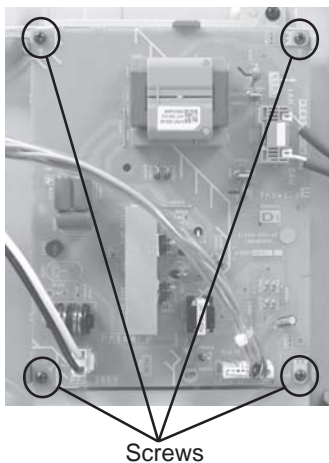


To remove the 'D5' board disconnect all connectors and then remove the 4 screws circled and ease the board gently away from the back of the TV set.

**Note:** Refer to page 4 - Hirose MDF61 connector.

Screw Part number(s) and Description(s)  
2-580-629-01 SCREW, +BVST 3X8

### 2-7. D6 Board Removal (52 inches)

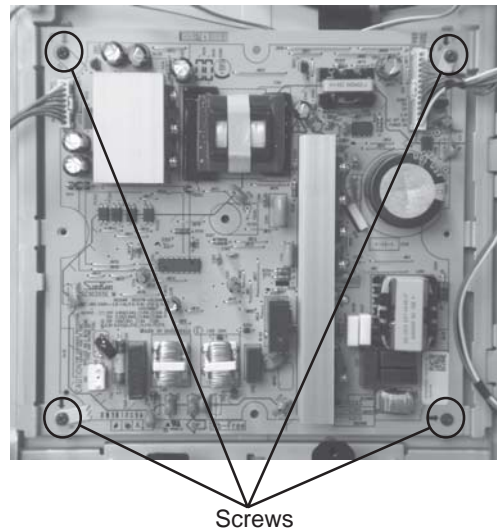


To remove the 'D6' board disconnect all connectors and then remove the 4 screws circled and ease the board gently away from the back of the TV set.

**Note:** Refer to page 4 - Hirose MDF61 connector.

Screw Part number(s) and Description(s)  
2-580-629-01 SCREW, +BVST 3X8

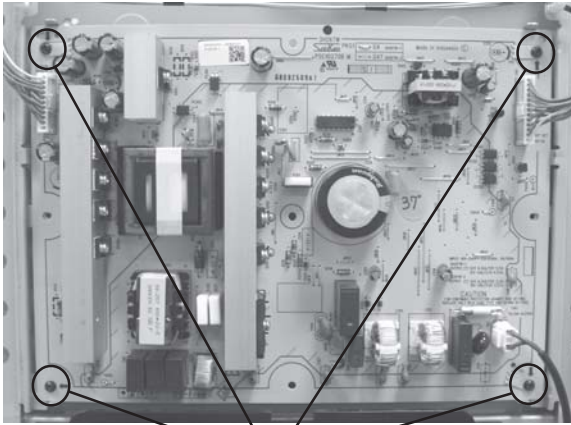
### 2-8. G2 Board Removal (32 inches)



To remove the 'G2' board disconnect all the connectors and remove the 4 screws circled, then ease the board gently away from the back of the TV set.

Screw Part number(s) and Description(s)  
2-580-629-01 SCREW, +BVST 3X8

### 2-9. G4 Board Removal (37 inches)

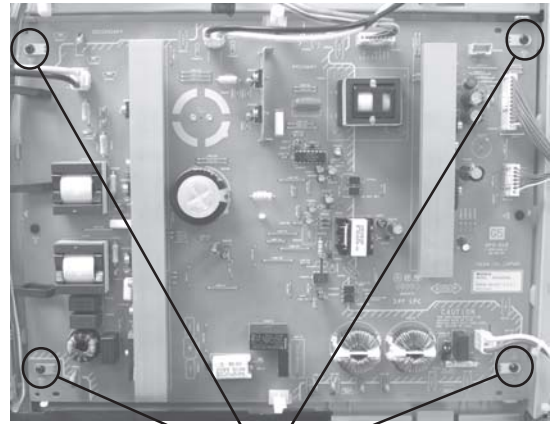


Screws

To remove the 'G4' board disconnect all the connectors and remove the 4 screws circled, then ease the board gently away from the back of the TV set.

Screw Part number(s) and Description(s)  
2-580-629-01 SCREW, +BVST 3X8

### 2-10. G5 Board Removal (52 inches)



Screws

To remove the 'G5' board disconnect all the connectors and remove the 4 screws circled, then ease the board gently away from the back of the TV set.

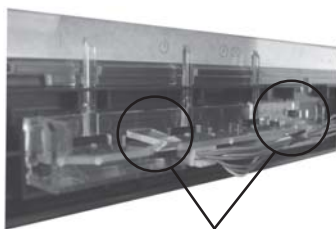
Screw Part number(s) and Description(s)  
2-580-629-01 SCREW, +BVST 3X8

### 2-11. HL1A Board Removal



To remove the 'HL1A' board you must first remove the 'Bar, Under' by removing the 1 screw indicated above.

Screw Part number(s) and Description(s)  
2-580-640-01 SCREW, BVTP2 4X16



Clips

The 'HL1A' board can then be removed by disconnecting the connector and releasing the 2 clips circled. Then gently ease the board away from the back of the TV set.

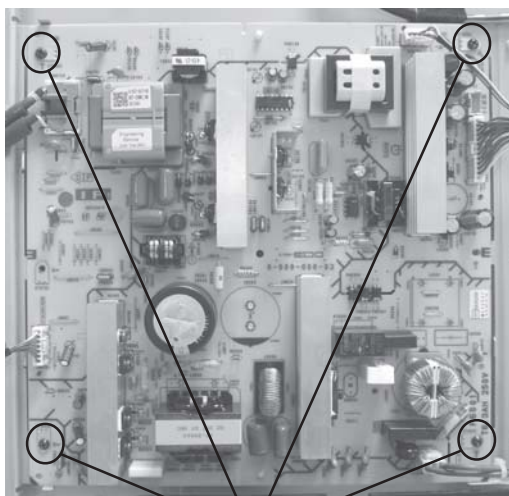
### 2-12. HSN Board Removal



Clip

To remove the 'HSN' board disconnect the connector and release the 1 clip circled, then ease the board gently away from the back of the TV set.

### 2-13. IP1 Board Removal (40 inches)



Screws

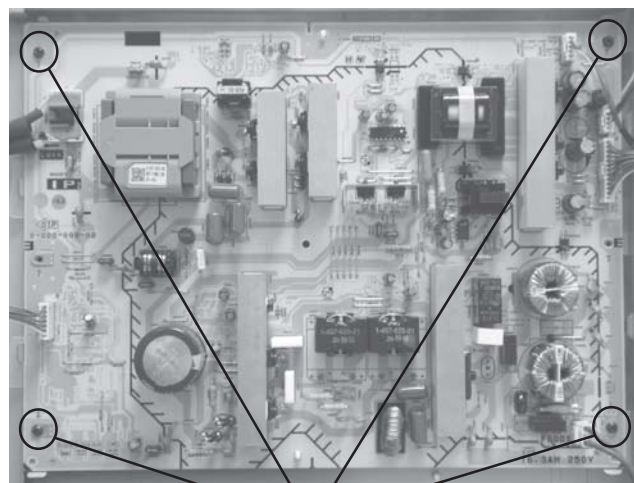
To remove the 'IP1' board disconnect all connectors and then remove the 4 screws circled and ease the board gently away from the back of the TV set.

**Note:** Refer to page 4 - Hirose MDF61 connector.

Screw Part number(s) and Description(s)

2-580-629-01 SCREW, +BVST 3X8

### 2-14. IP2 Board Removal (46 inches)



Screws

To remove the 'IP2' board disconnect all connectors and then remove the 4 screws circled and ease the board gently away from the back of the TV set.

**Note:** Refer to page 4 - Hirose MDF61 connector.

Screw Part number(s) and Description(s)

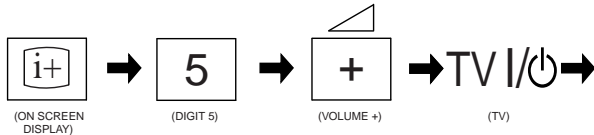
2-580-629-01 SCREW, +BVST 3X8

## SECTION 3 SERVICE MENUS

### 3-1. How to enter the Service Mode

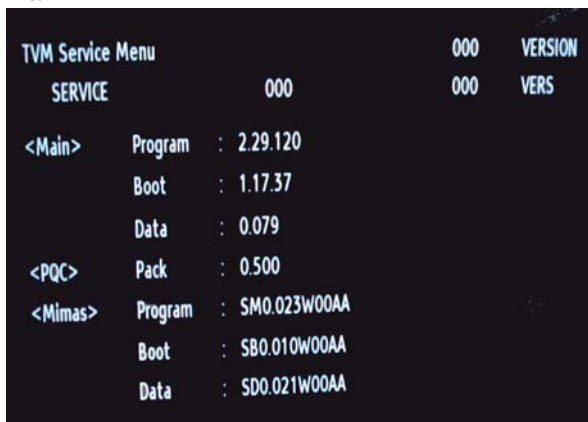
Service adjustments to this model can be performed using the supplied Remote Commander RM-ED016.

1. Turn on the power to the TV set and enter into the stand-by mode.
2. Press the following sequence of buttons on the Remote Commander.



3. The TVM menu appears on the screen (See Pic.1).

Pic.1



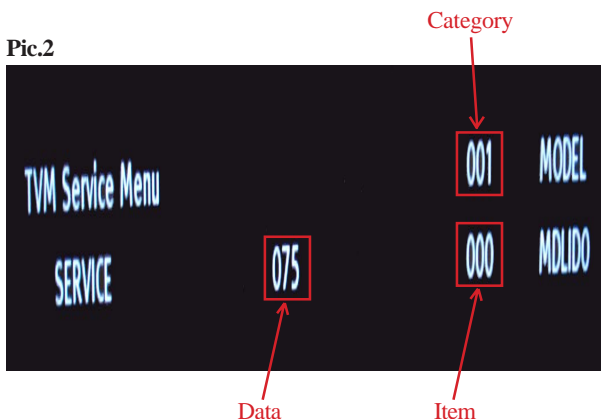
**Note :**

- After carrying out the service adjustments, to prevent the customer accessing the 'Service Menu' switch the TV set OFF and then ON.

### 3-2. Changing TVM Data Settings

1. Press "2 / 5" on the remote commander to select (up / down) category (See Pic.2).
2. Press "1 / 4" on the remote commander to select (up / down) item (See Pic.2).
3. Press "3 / 6" on the remote commander to select (up / down) data (See Pic.2).

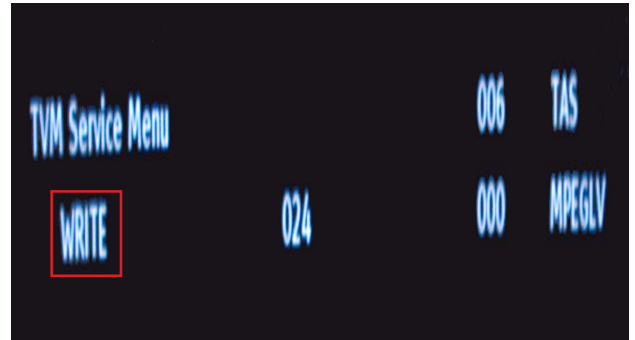
Pic.2



### 3-3. Writing TVM Data

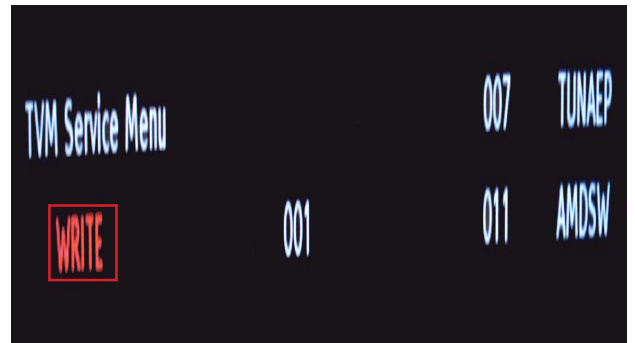
1. Press "Mute" on the remote commander. The word "SERVICE" changes to "WRITE" (See Pic.3).

Pic.3



2. Press "0" on the remote commander. The word "WRITE" changes to red. This indicates writing is in progress. (See Pic.4).

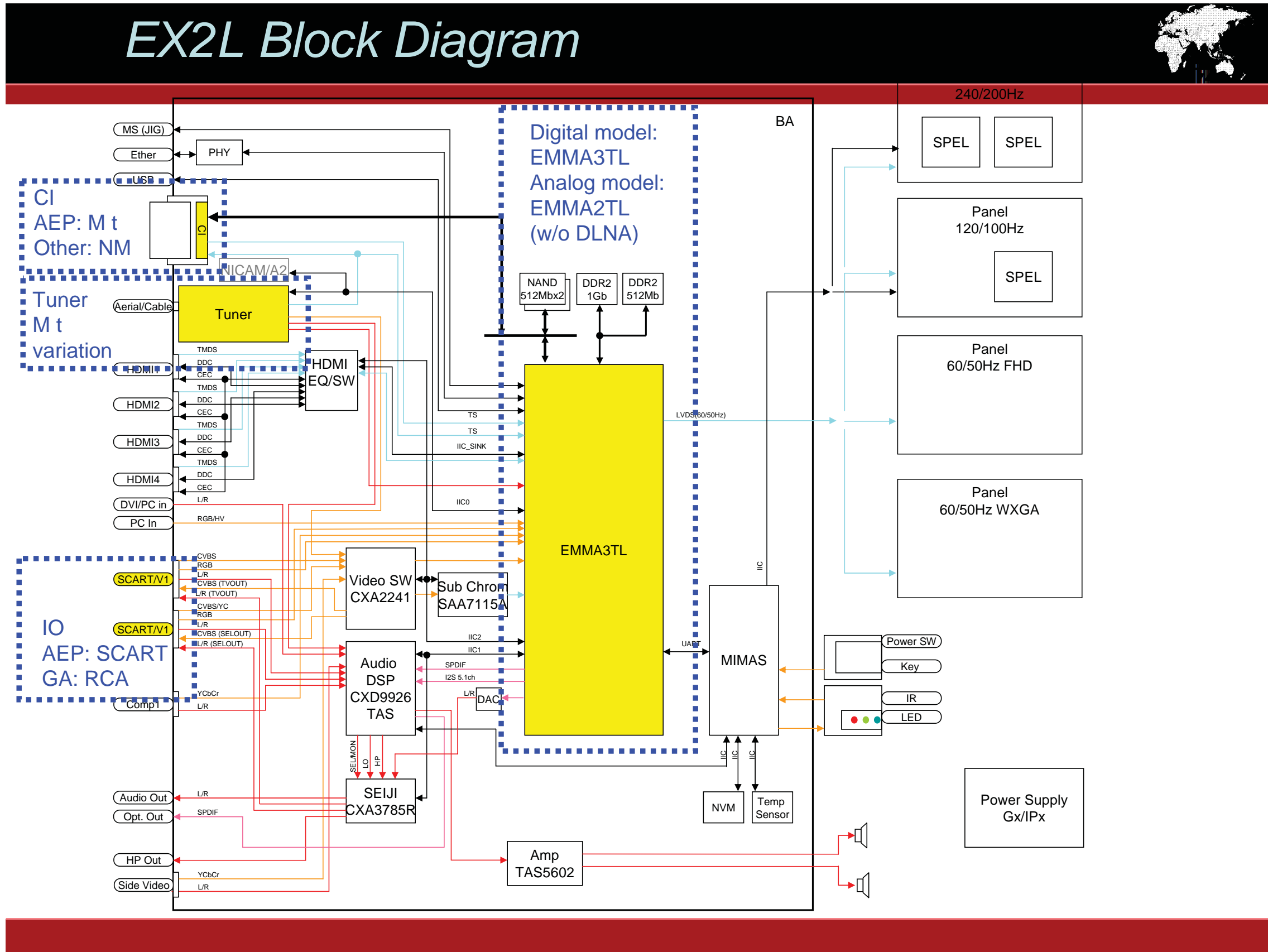
Pic.4



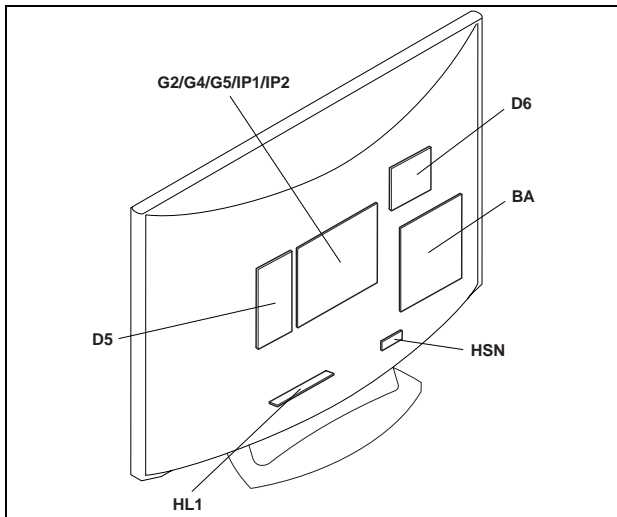
3. When red "WRITE" changes to green "SERVICE". This indicates writing is complete. (See Pic.5).

Pic.5





## 4-2. CIRCUIT BOARD LOCATION









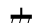


## 4-3. SCHEMATIC DIAGRAMS AND PRINTED WIRING BOARDS


### Note :

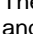
- All capacitors are in  $\mu\text{F}$  unless otherwise noted.
- $\text{pF}$  :  $\mu\text{F}$  50WV or less are not indicated except for electrolytic types.
- Indication of resistance, which does not have one for rating electrical power, is as follows.

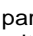
Pitch : 5mm  
Electrical power rating : 1/4W


- Chip resistors are 1/10W
- All resistors are in ohms.  
k = 1000 ohms, M = 1000,000 ohms
-  : nonflammable resistor.
-  : fusible resistor.
-  : internal component.
-  : panel designation or adjustment for repair.
- All variable and adjustable resistors have characteristic curve B, unless otherwise noted.
- All voltages are in Volts.
- Readings are taken with a 10Mohm digital mutimeter.
- Readings are taken with a color bar input signal.
- Voltage variations may be noted due to normal production tolerances.
-  : B + bus.
-  : B - bus.
-  : RF signal path.
-  : earth - ground.
-  : earth - chassis.

## Reference Information

RESISTOR	RN	: METAL FILM
	RC	: SOLID
	FPRD	: NON FLAMMABLE CARBON
	FUSE	: NON FLAMMABLE FUSIBLE
	RS	: NON FLAMMABLE METAL OXIDE
	RB	: NON FLAMMABLE CEMENT
	RW	: NON FLAMMABLE WIREWOUND
		: ADJUSTMENT RESISTOR
COIL	LF-8L	: MICRO INDUCTOR
CAPACITOR	TA	: TANTALUM
	PS	: STYROL
	PP	: POLYPROPYLENE
	PT	: MYLAR
	MPS	: METALIZED POLYESTER
	MPP	: METALIZED POLYPROPYLENE
	ALB	: BIPOLAR
	ALT	: HIGH TEMPERATURE
	ALR	: HIGH RIPPLE

**Note :** The components identified by shading and marked  are critical for safety. Replace only with the part numbers specified in the parts list.

**Note :** Les composants identifiés par une trame et par une marque  sont d'une importance critique pour la sécurité. Ne les remplacer que par des pièces de numéro spécifié.

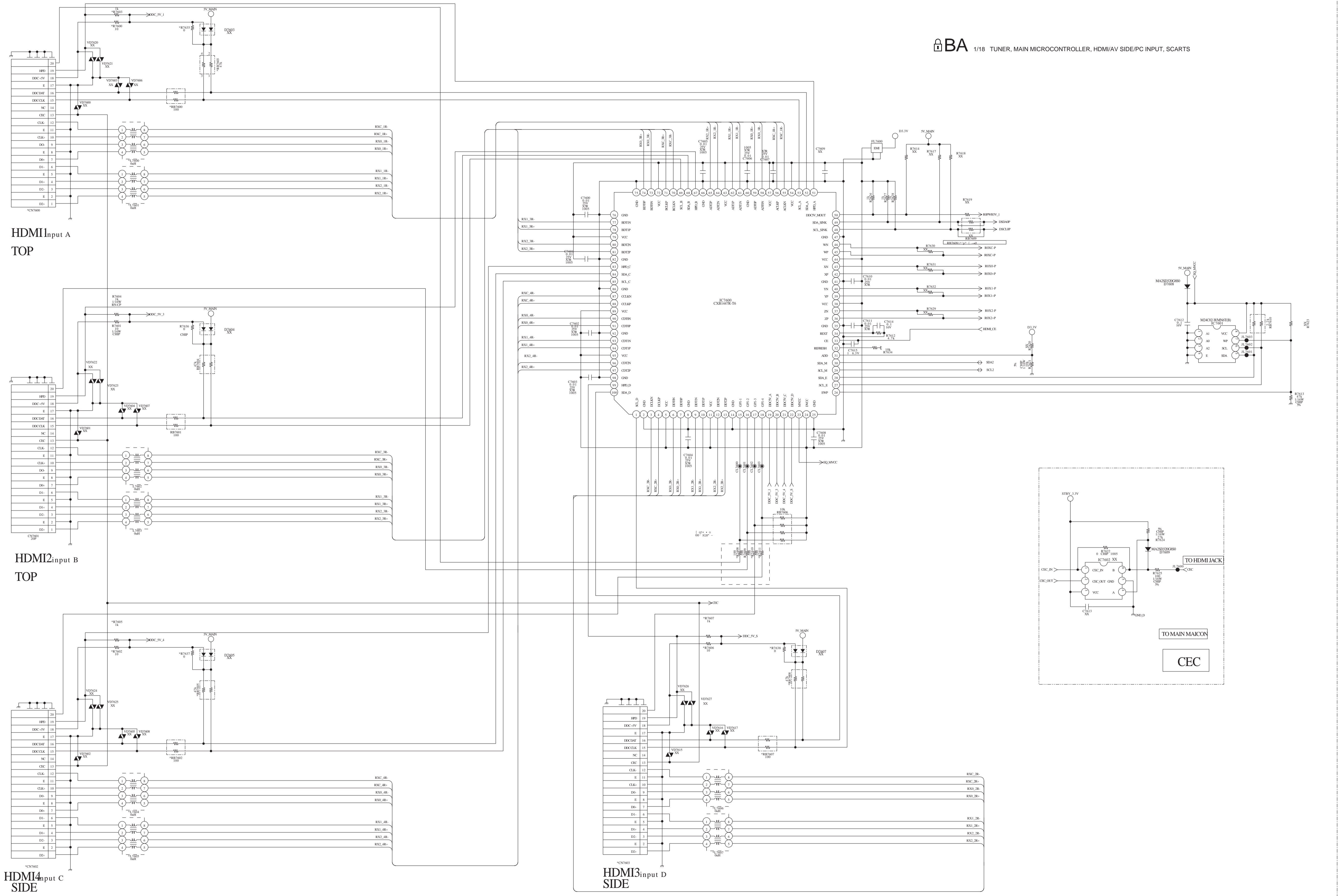
**Note :** The components identified by mark  contain confidential information. Strictly follow the instructions whenever the components are repaired and/or replaced.

**NOTE:** The G2, G4 and G5 boards are not Sony boards so their schematic diagrams and printed wiring boards are not shown in this Service Manual. Schematic diagrams are for reference only. Please refer to the electrical parts list for the correct value and part number of components.



BA-EX2L

BA 1/18 TUNER, MAIN MICROCONTROLLER, HDMI/AV SIDE/PC INPUT, SCARTS

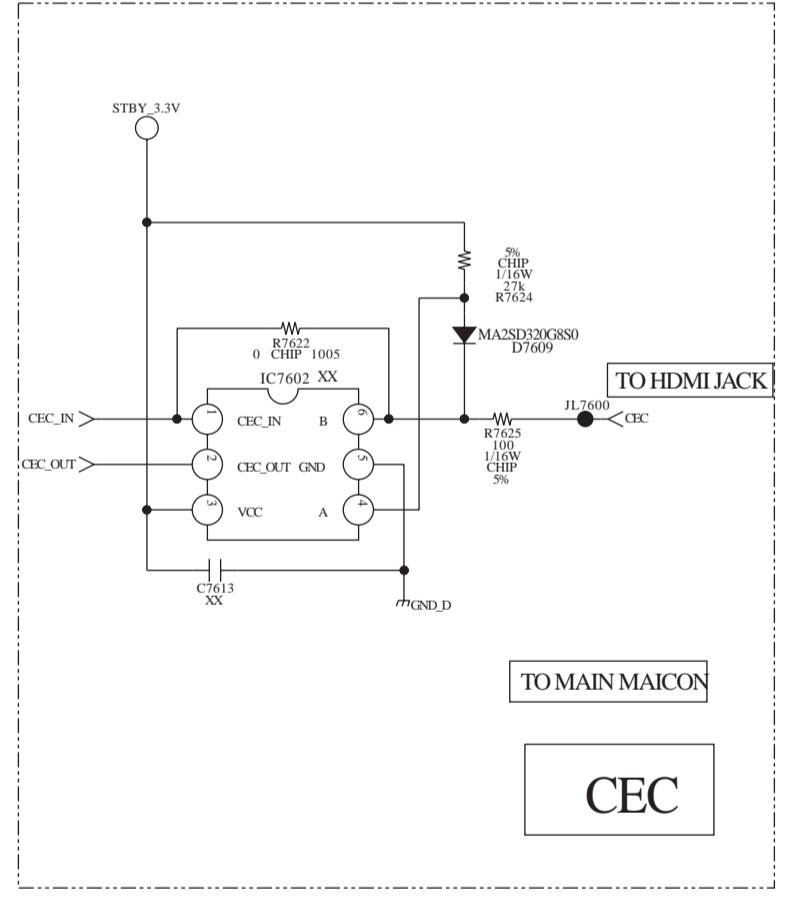


HDMI1 Input A TOP

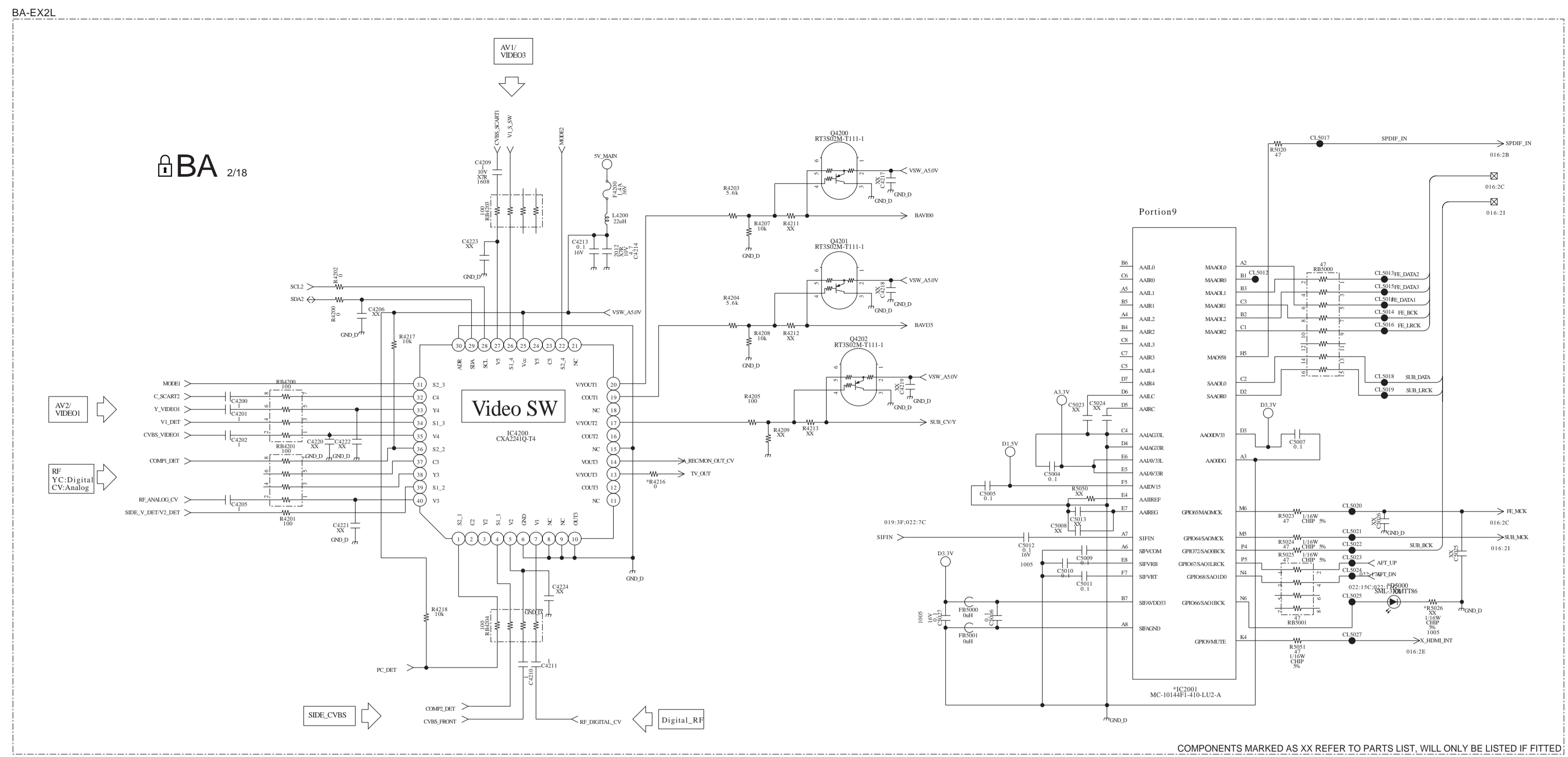
HDMI2 Input B TOP

HDMI4 Input C SIDE

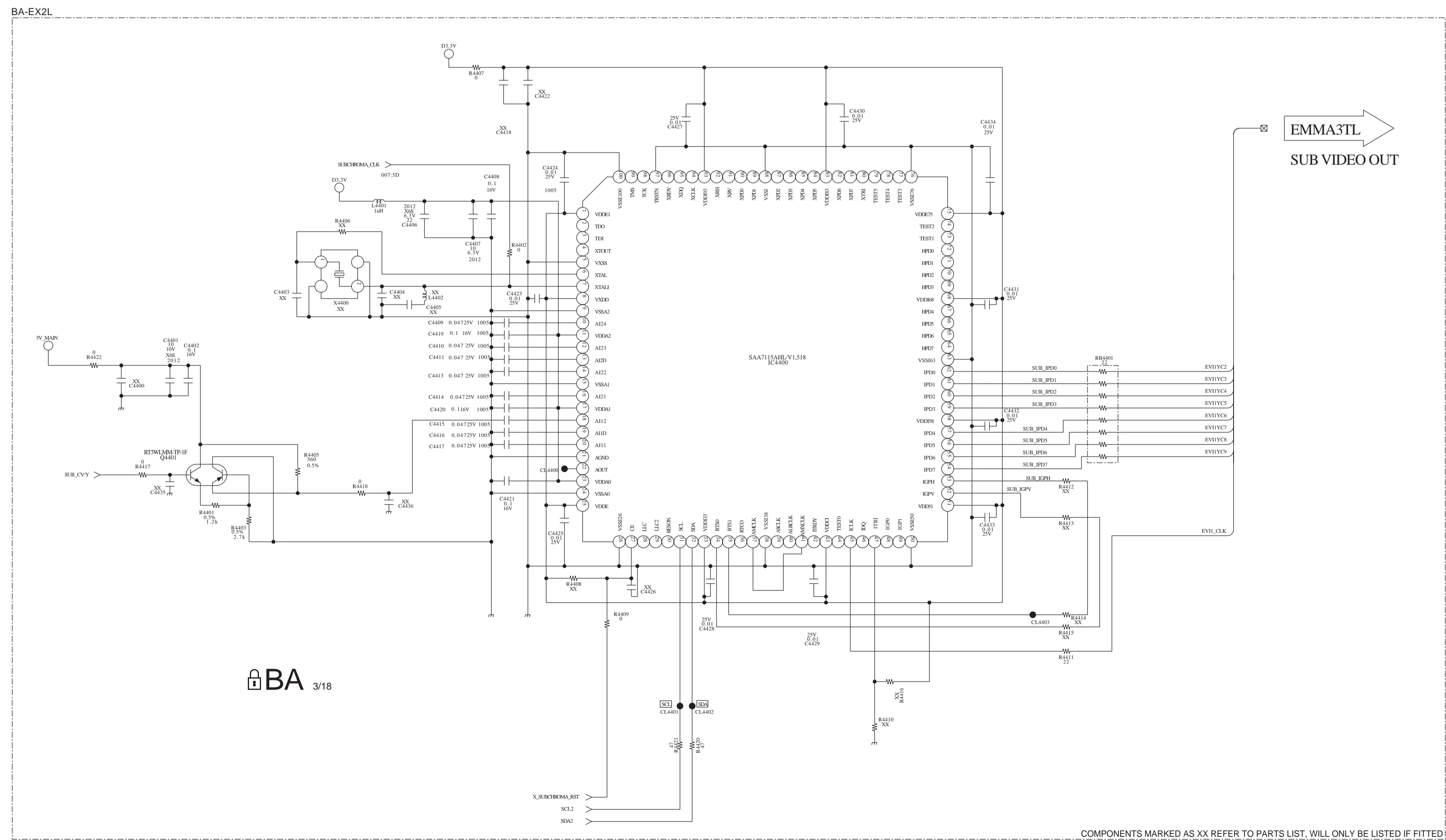
HDMI3 Input D SIDE



COMPONENTS MARKED AS XX REFER TO PARTS LIST, WILL ONLY BE LISTED IF FITTED

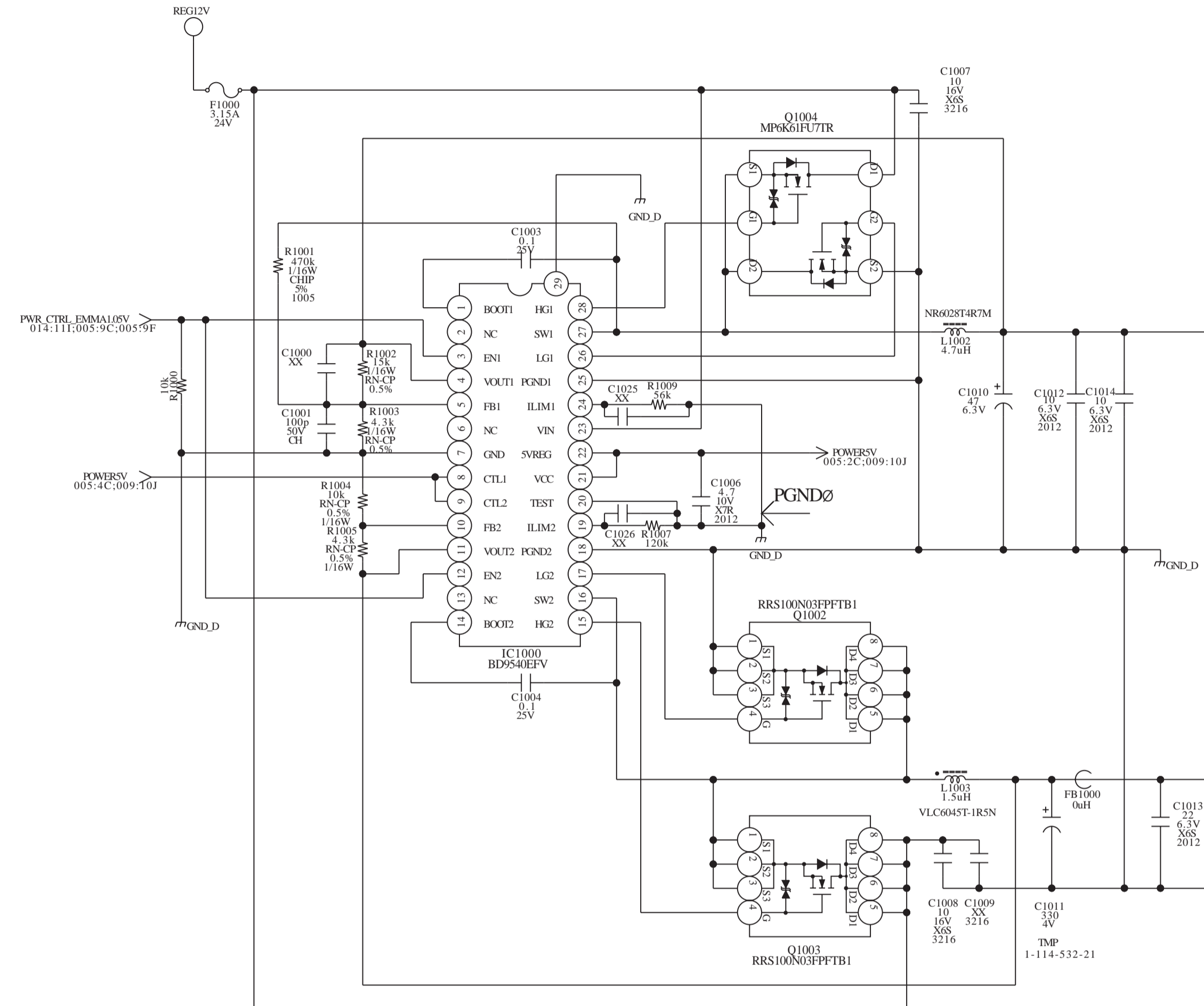


- BA Board Schematic Diagram [Tuner, Main Microcontroller, HDMI/AV Input/PC Input, Scarts ] Page 2/18 -

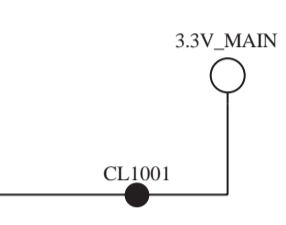


- BA Board Schematic Diagram [Tuner, Main Microcontroller, HDMI/AV Input/PC Input, Scarts ] Page 3/18 -

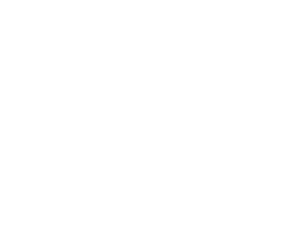
# REG12V



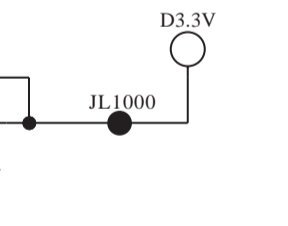
# 3.3V\_MAIN



# D1.05V

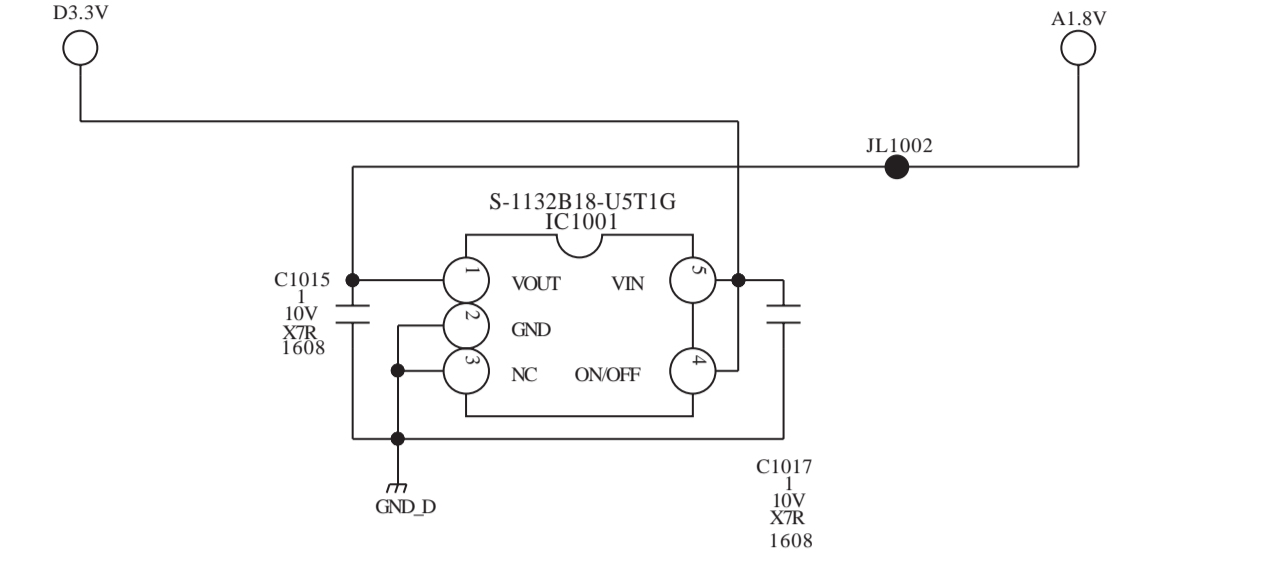


# D3.3V

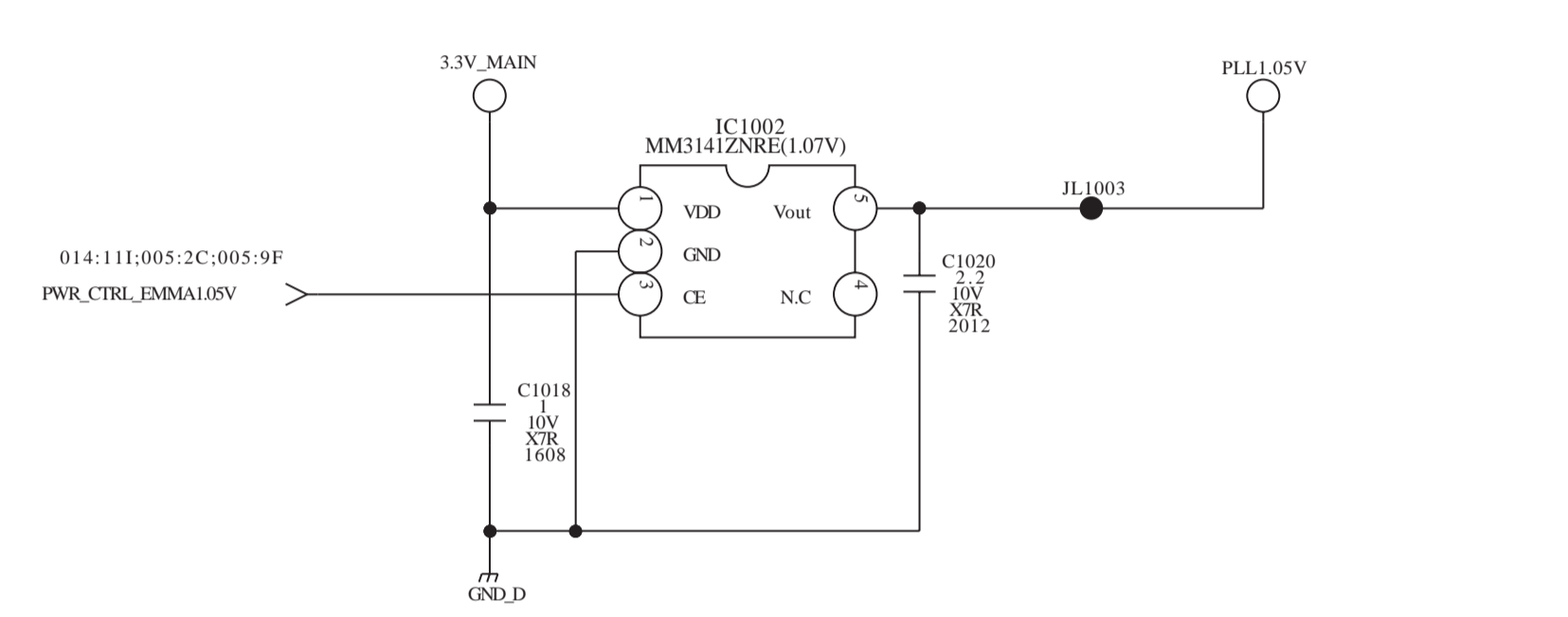


BA 4/18

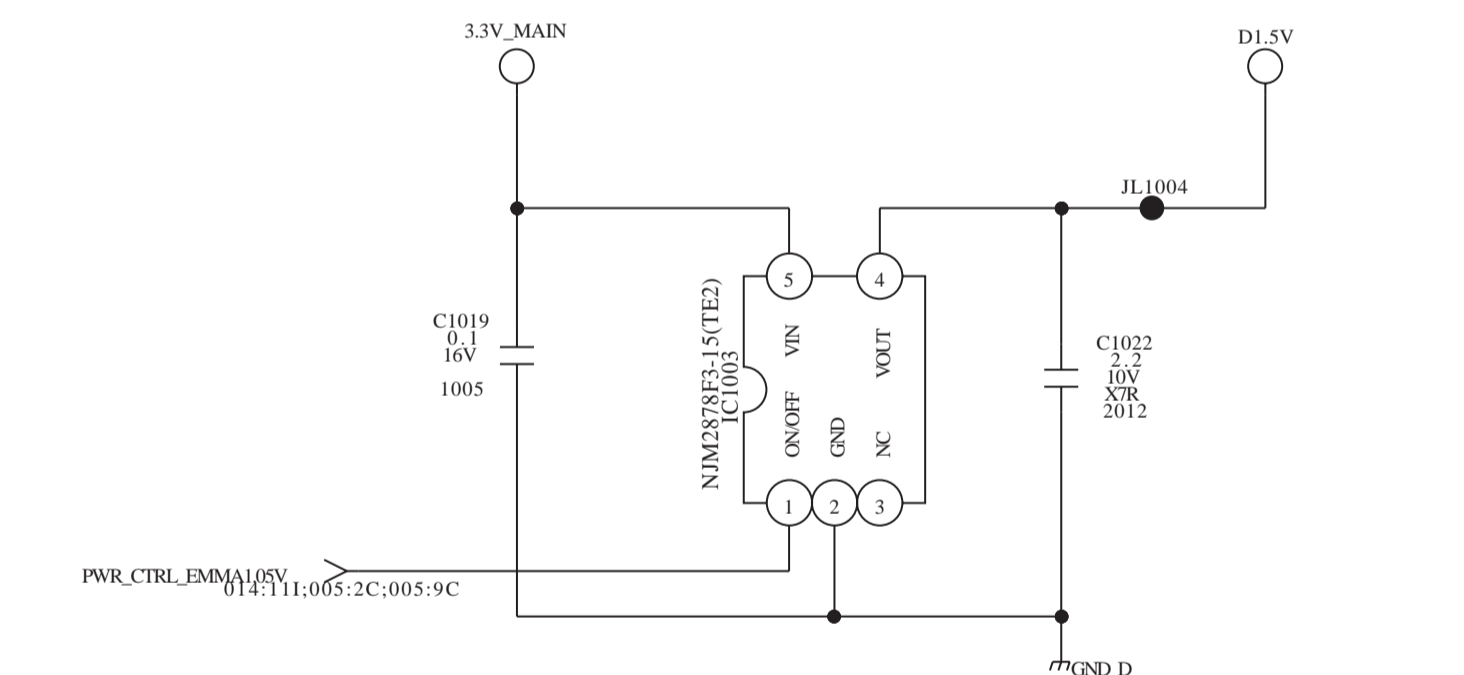
# A1.8V



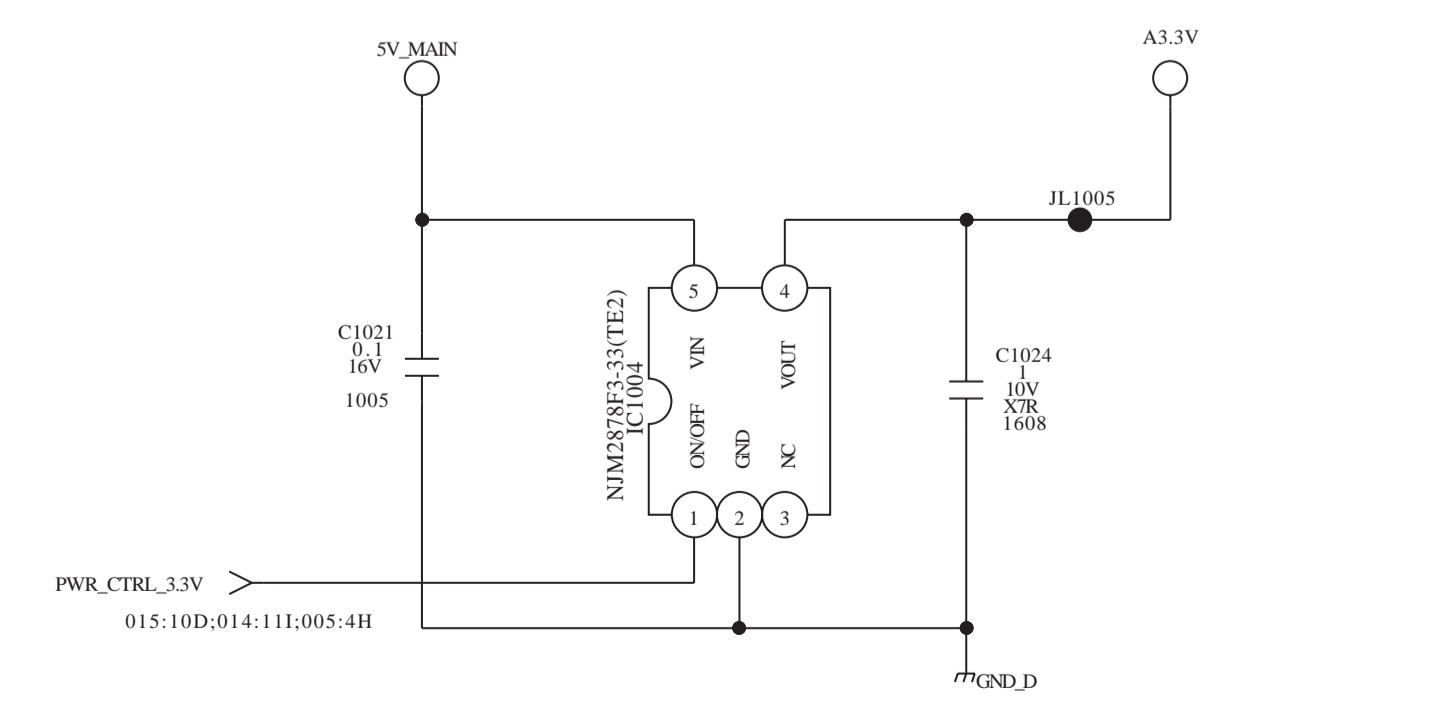
# PLL1.05V



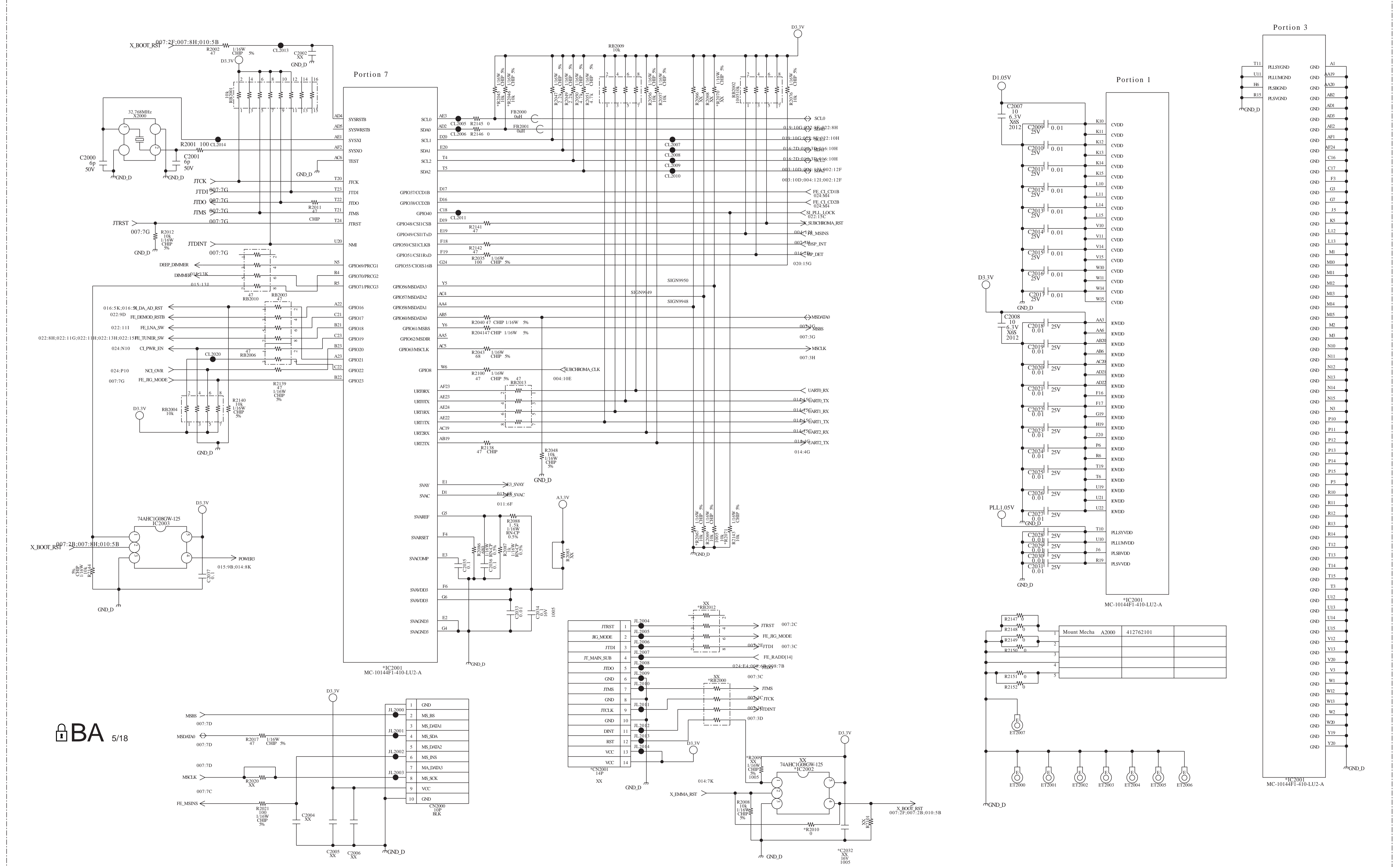
# D1.5V



# A3.3V



COMPONENTS MARKED AS XX REFER TO PARTS LIST, WILL ONLY BE LISTED IF FITTED.



Portion 7

Portion 1

Portion 3

\*IC2001  
MC-10144F1-410-LU2-A

\*IC2001  
MC-10144F1-410-LU2-A

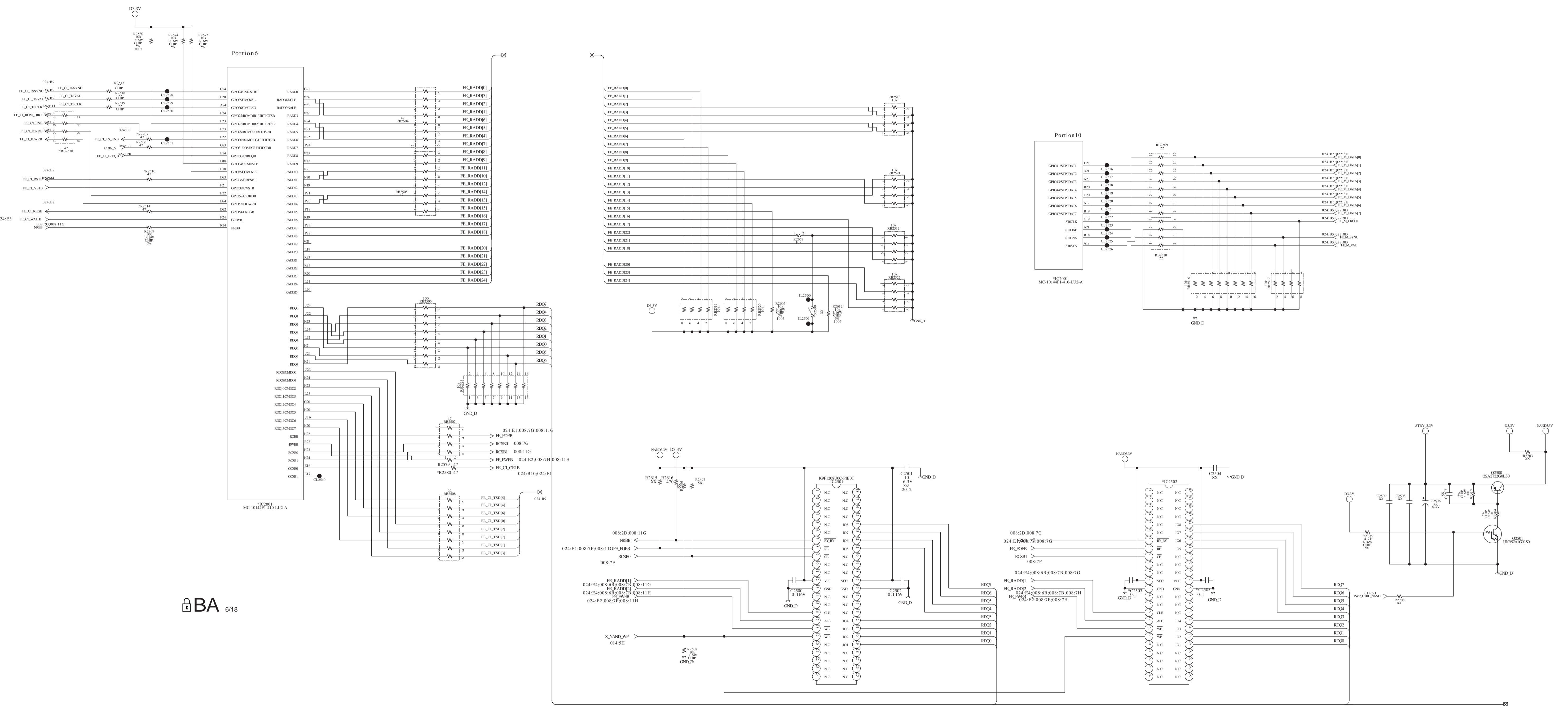
\*IC2001  
MC-10144F1-410-LU2-A

JTRST	1	JL2004		JTRST	007:2C
JG_MODE	2	JL2005		JG_MODE	
JTDI	3	JL2006		JTDI	007:3C
JT_MAIN_SUB	4	JL2007		FE_RADD(14)	
JTDO	5	JL2008		JTDO	007:7B
GND	6	JL2009		JTDO	007:3C
JTMS	7	JL2010		JTMS	
GND	8	JL2011		JTMS	007:3D
JTCK	9	JL2012		JTCK	
GND	10	JL2013		JTCK	007:3D
JTDI	11	JL2014		JTDI	
RST	12	JL2015		RST	
VCC	13	JL2016		VCC	
VCC	14	JL2017		VCC	



COMPONENTS MARKED AS XX REFER TO PARTS LIST, WILL ONLY BE LISTED IF FITTED!

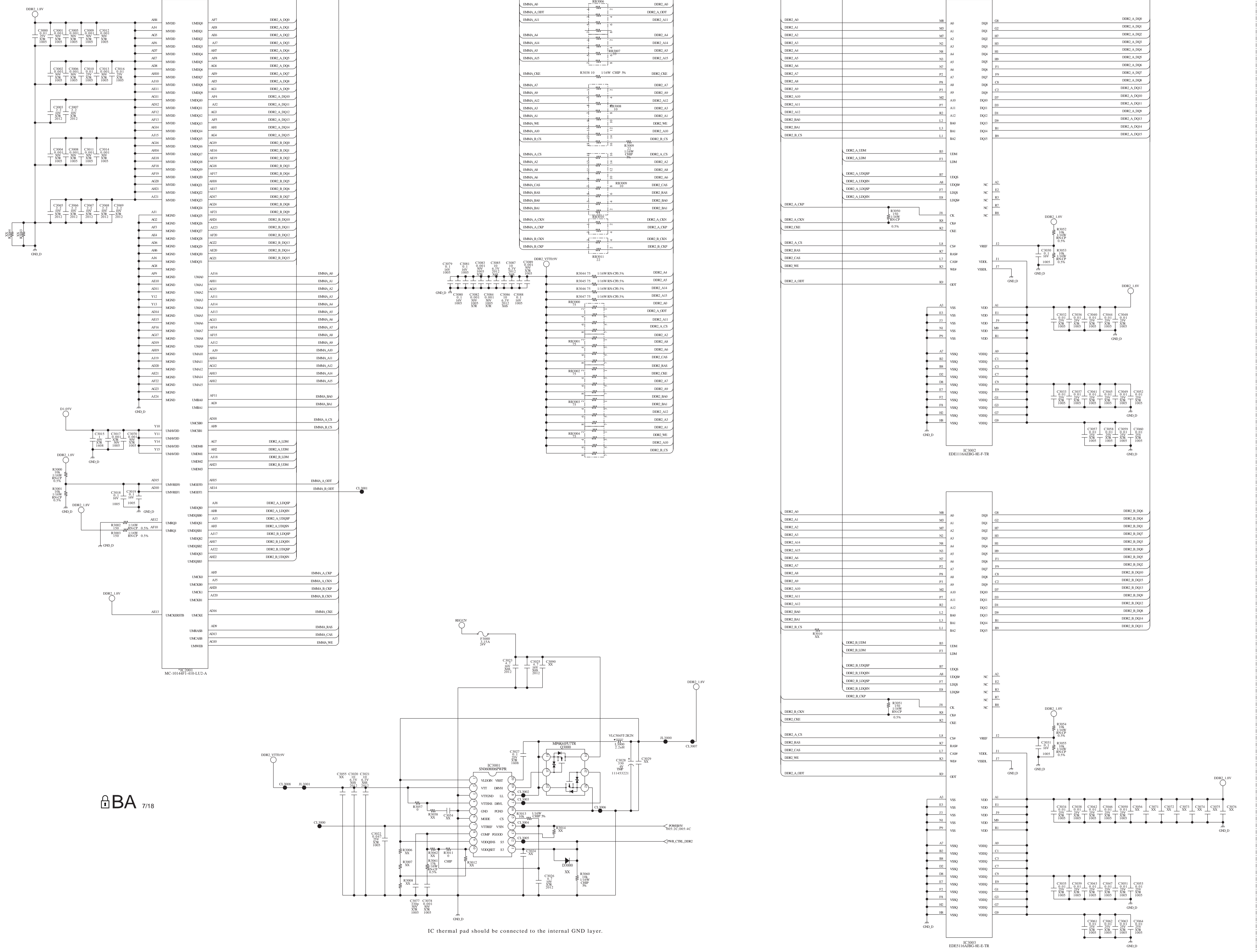
BA-EX2L



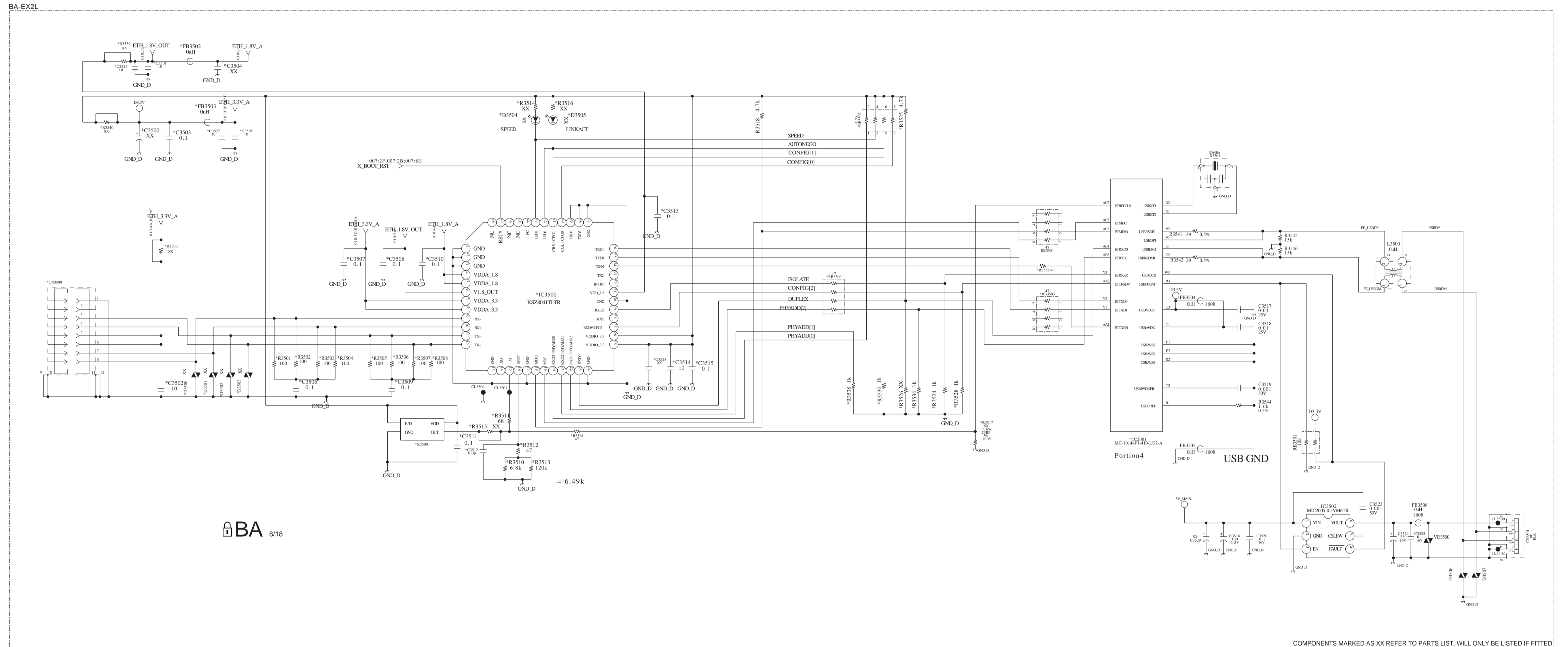
BA 6/18

COMPONENTS MARKED AS XX REFER TO PARTS LIST. WILL ONLY BE LISTED IF FITTED

Portion 2



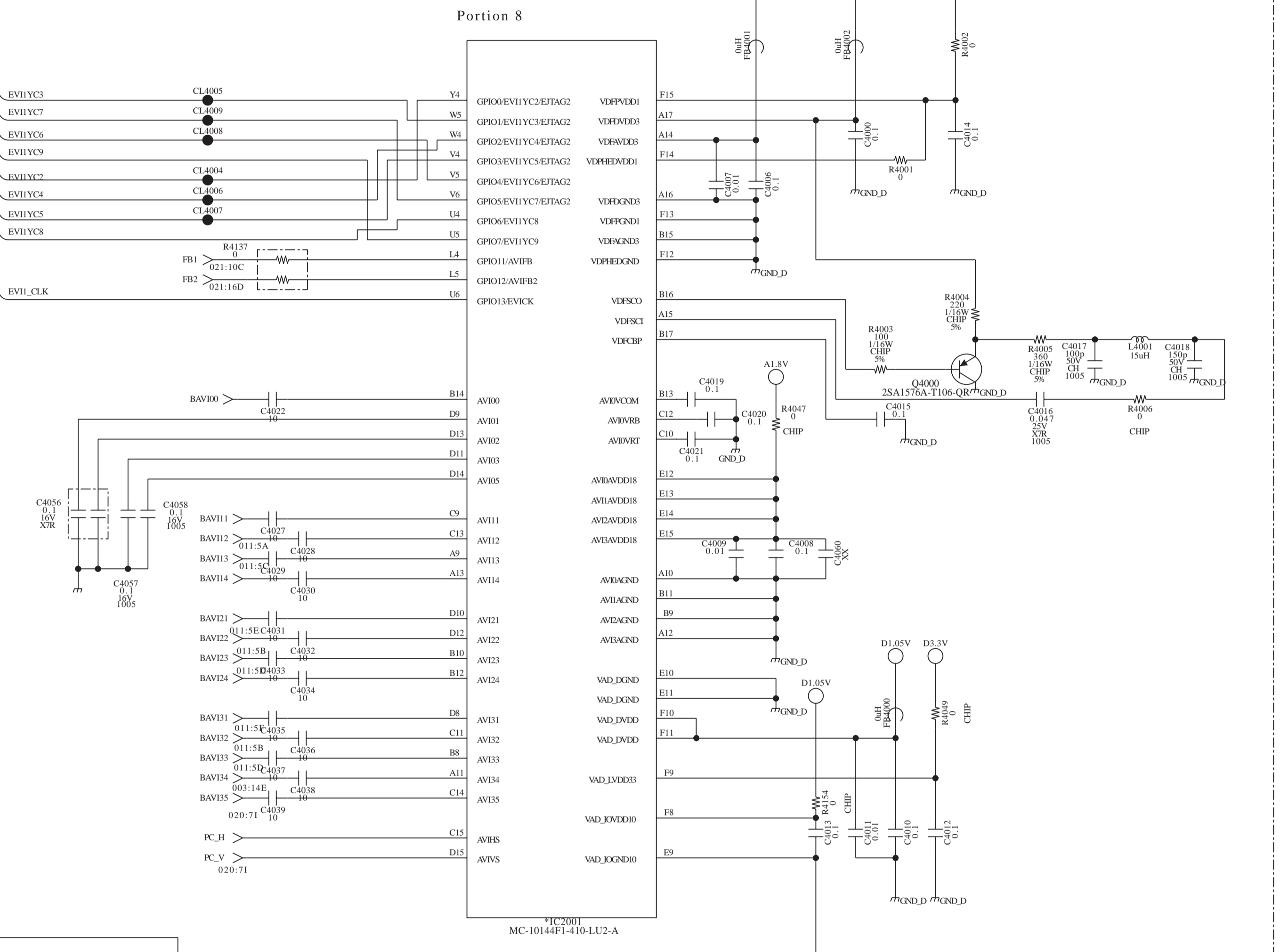
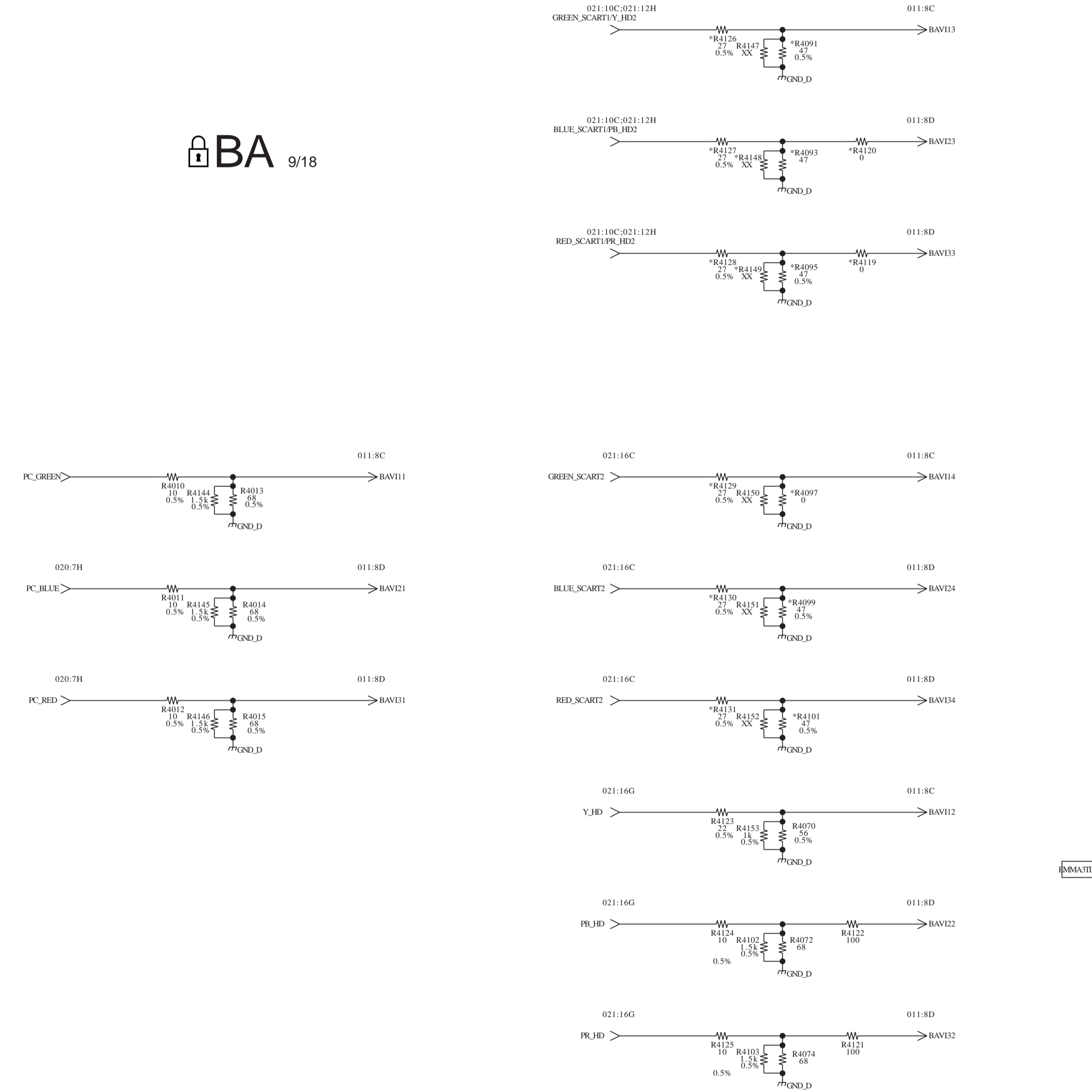
COMPONENTS MARKED AS XX REFER TO PARTS LIST, WILL ONLY BE LISTED IF FITTED



BA 8/18

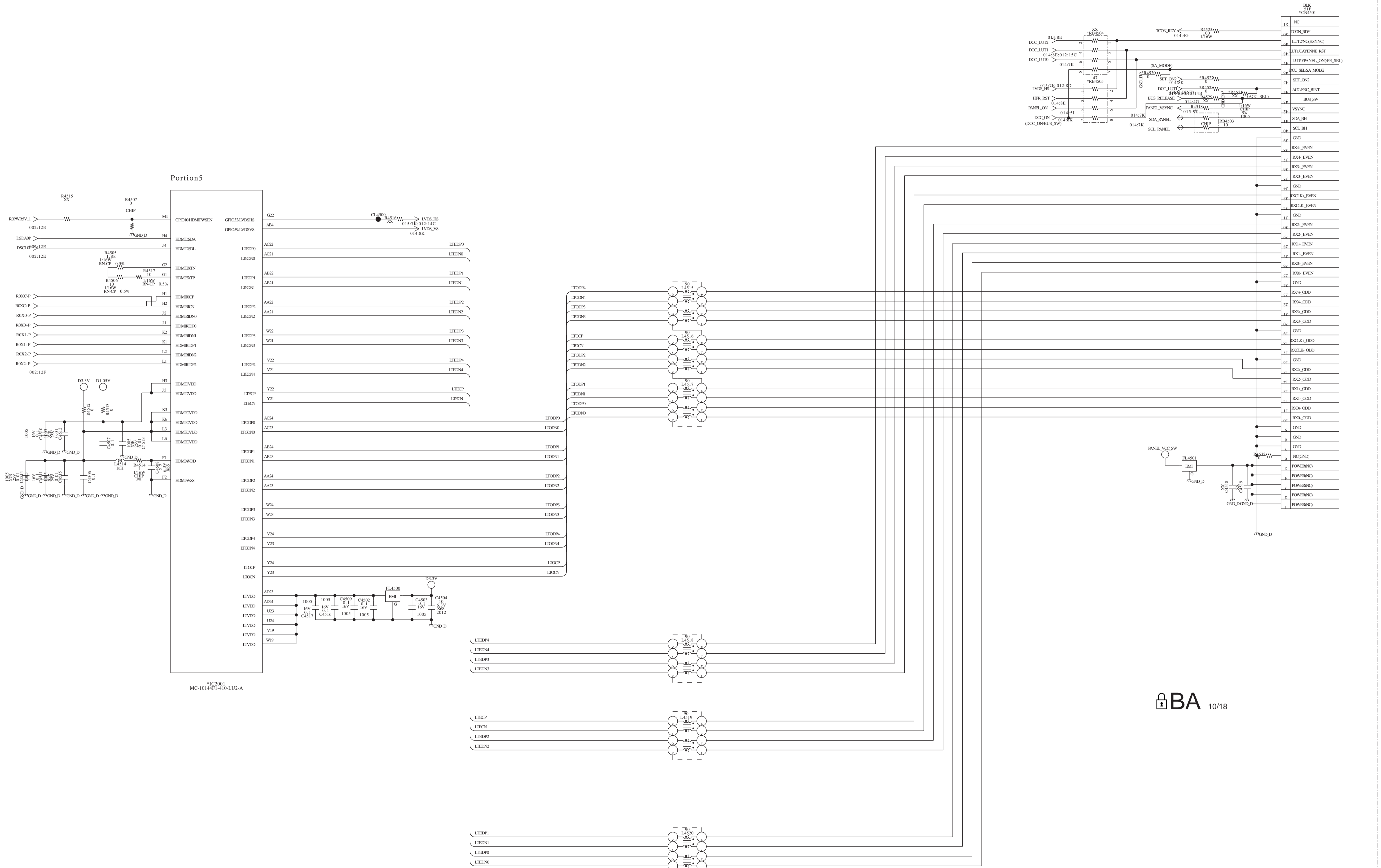
BA-EX2L

BA 9/18



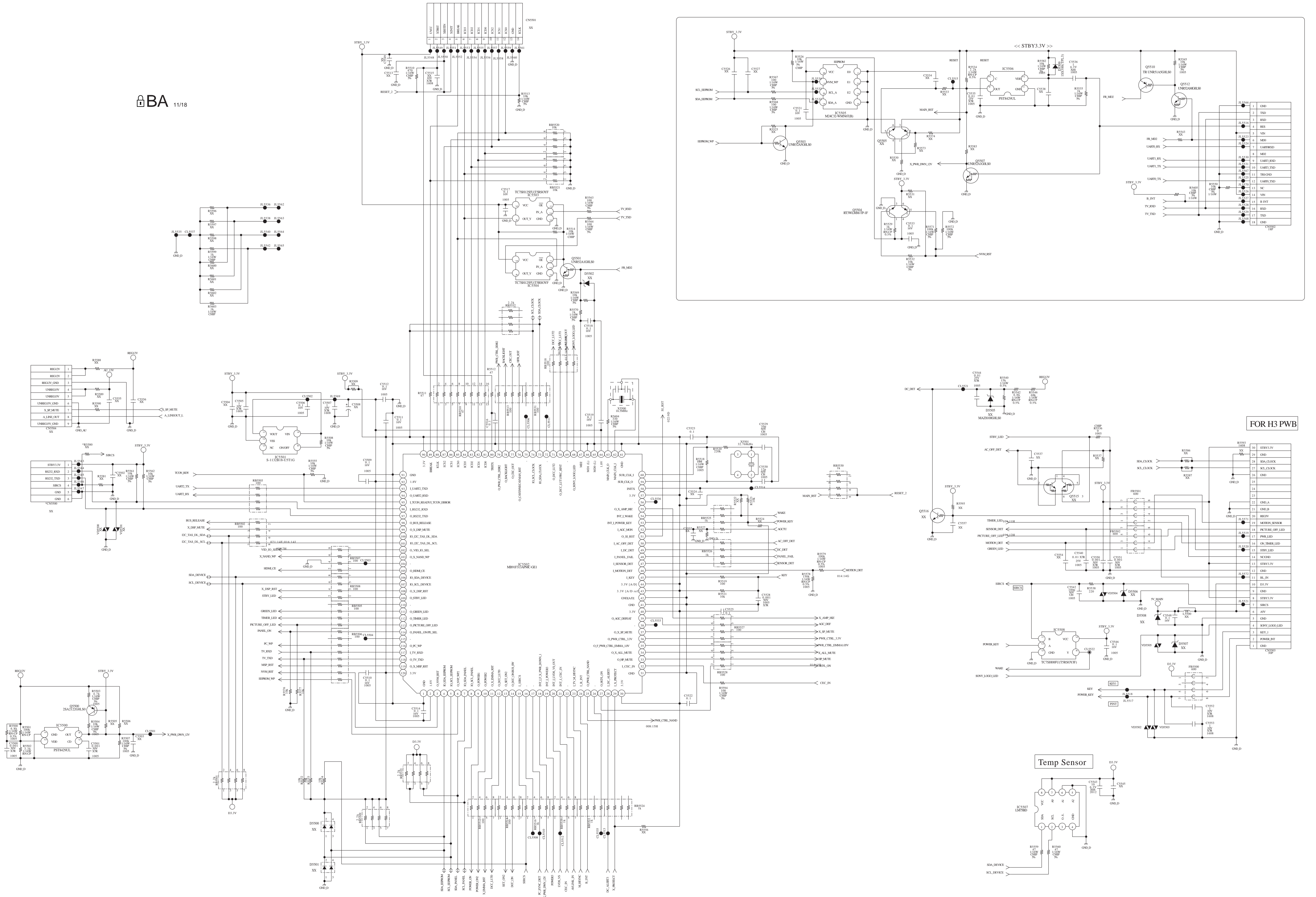
COMPONENTS MARKED AS XX REFER TO PARTS LIST. WILL ONLY BE LISTED IF FITTED.  
 - BA Board Schematic Diagram [ Tuner, Main Microcontroller, HDMI/AV Input/PC Input, Scarts ] Page 9/18 -





COMPONENTS MARKED AS XX REFER TO PARTS LIST, WILL ONLY BE LISTED IF FITTED





FOR H3 PWB

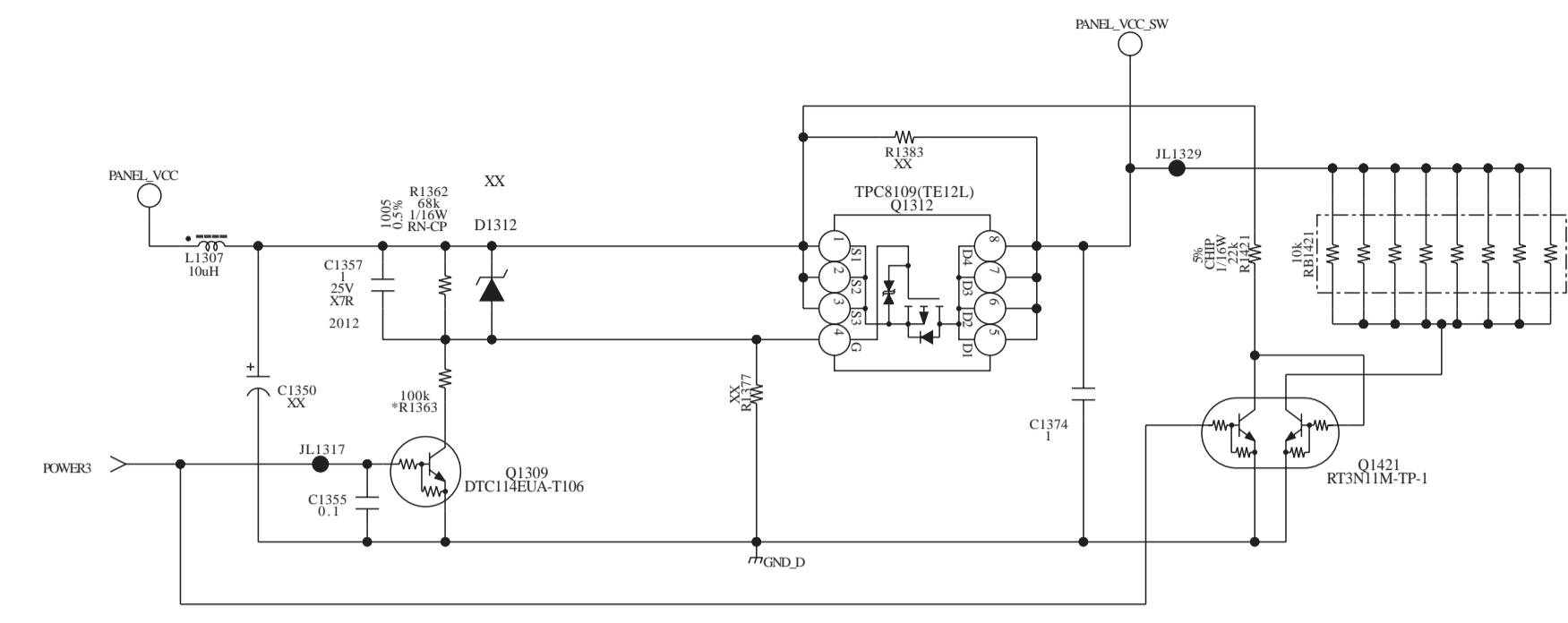
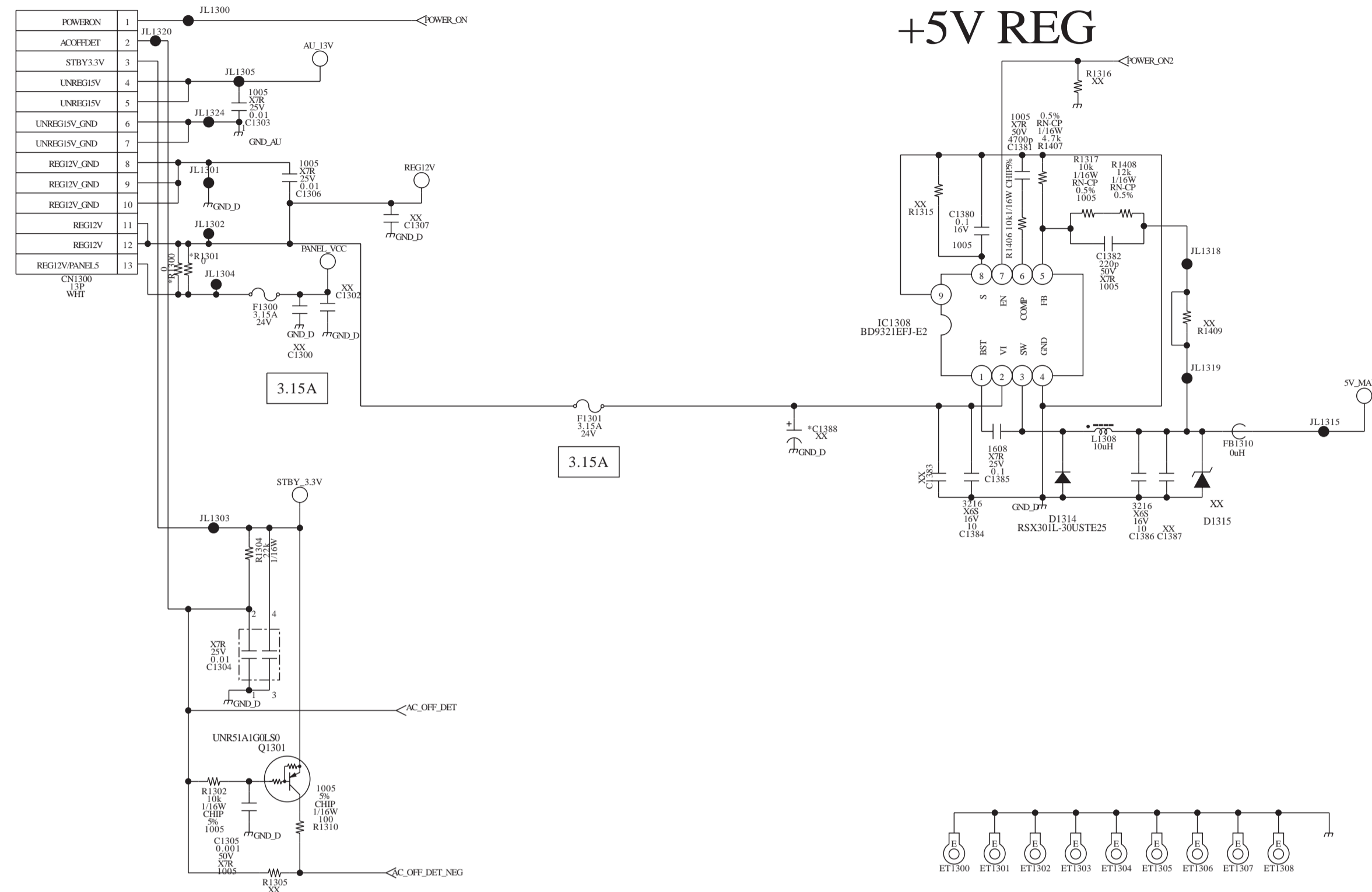
Temp Sensor

COMPONENTS MARKED AS XX REFER TO PARTS LIST, WILL ONLY BE LISTED IF FITTED

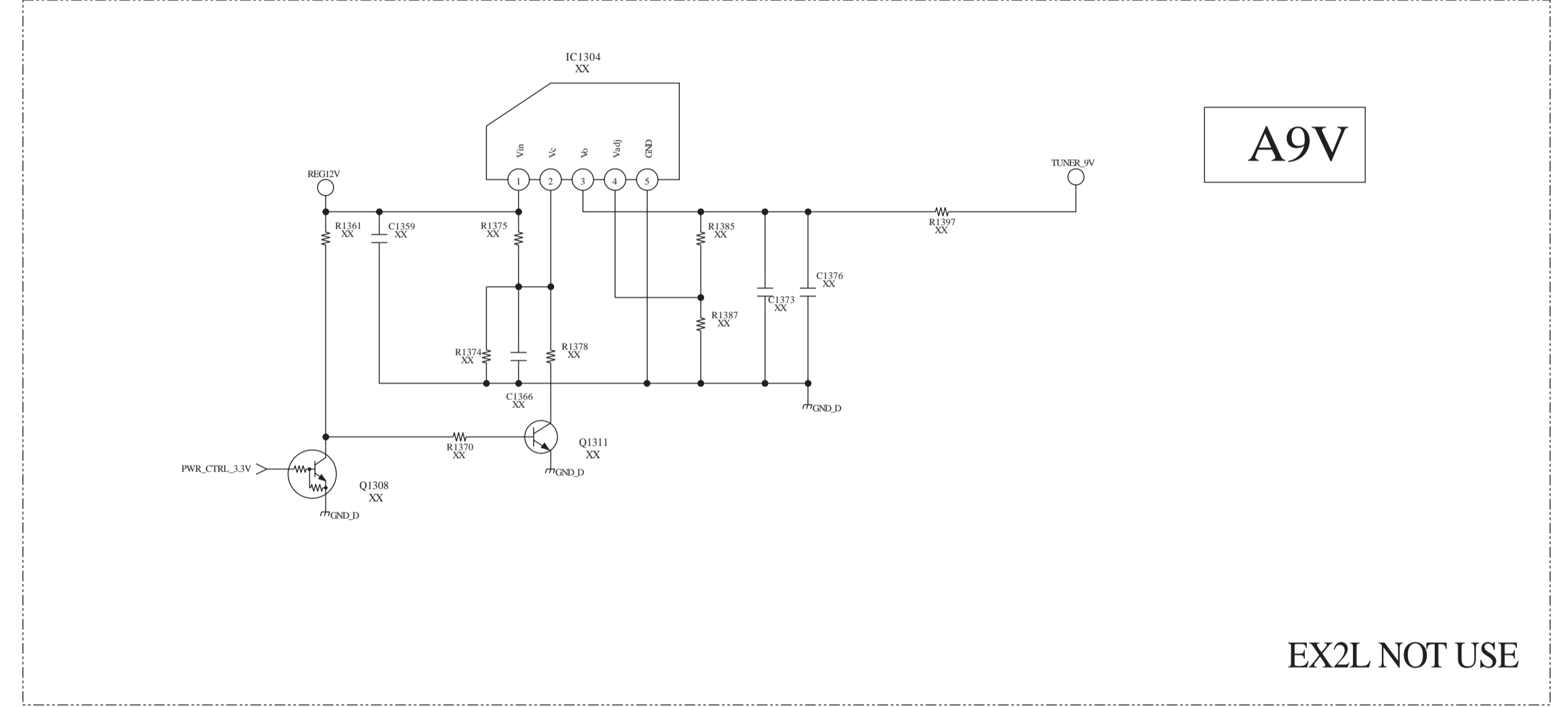
BA-EX2L

BA 12/18

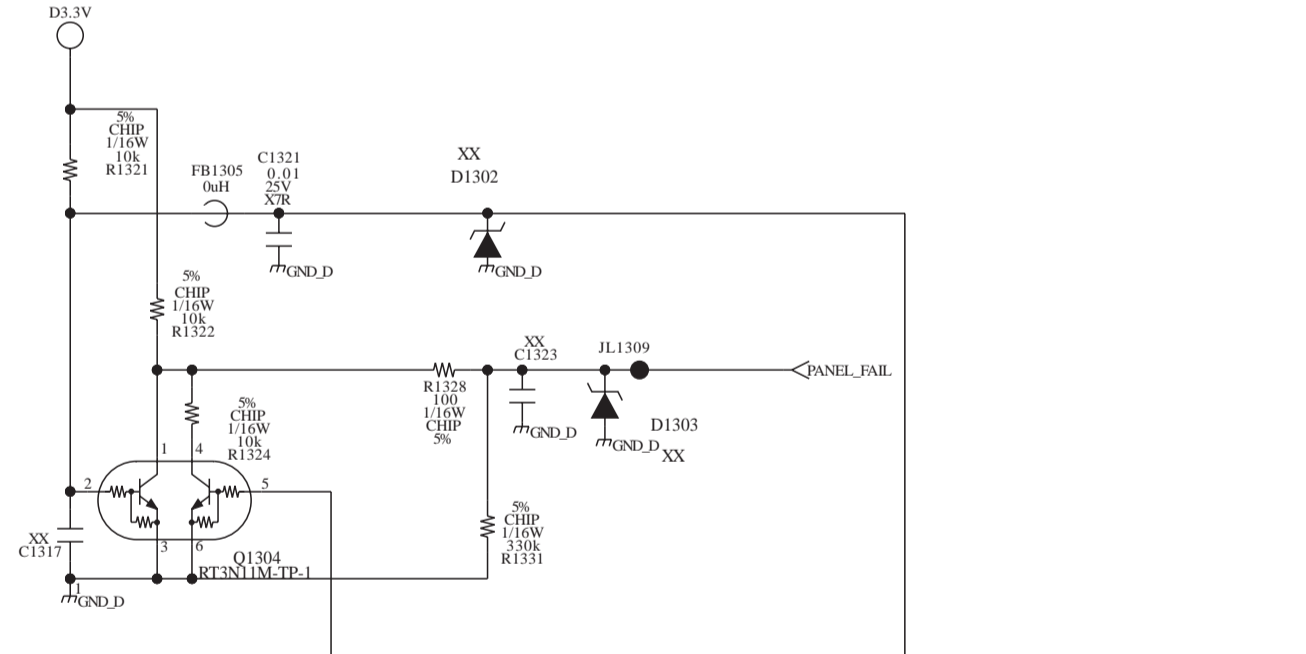
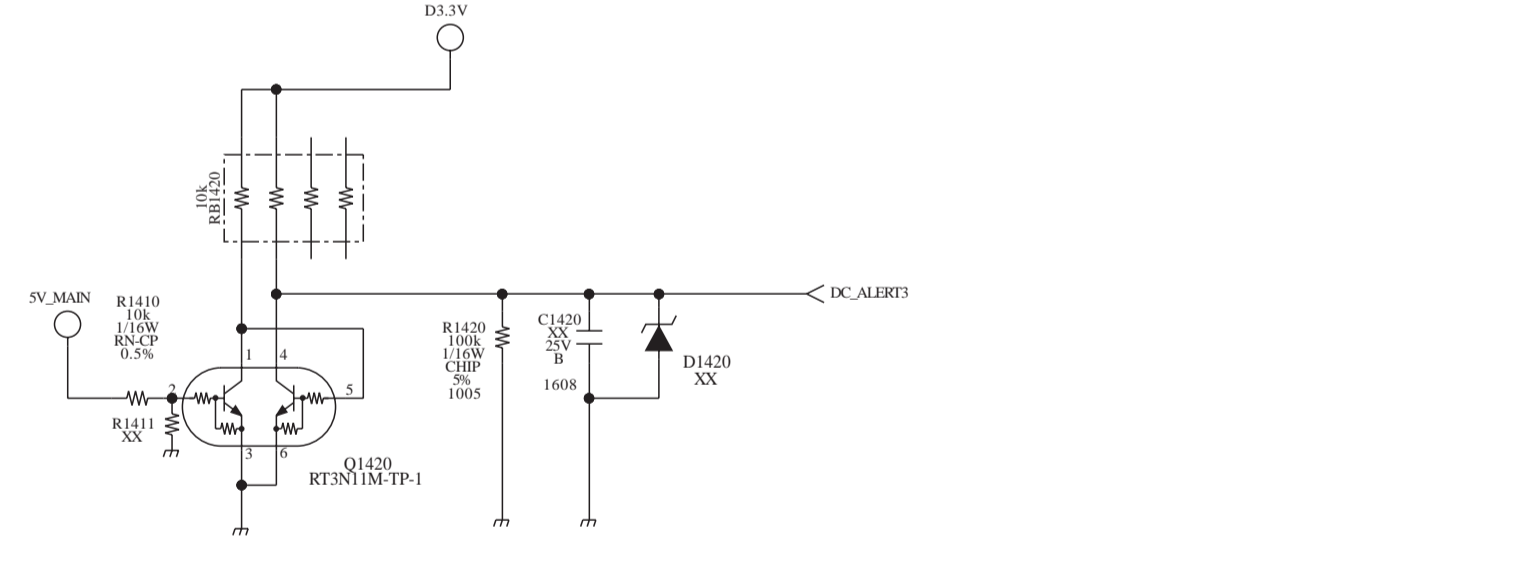
### +5V REG



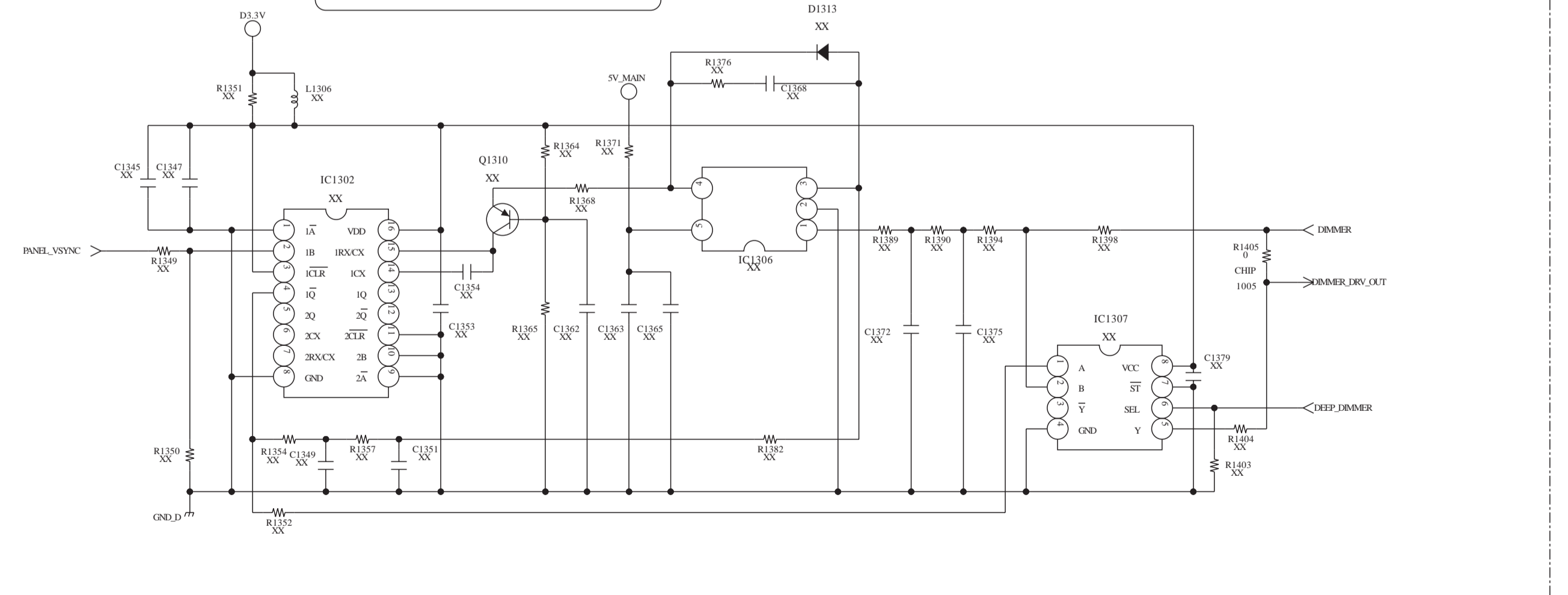
### A9V



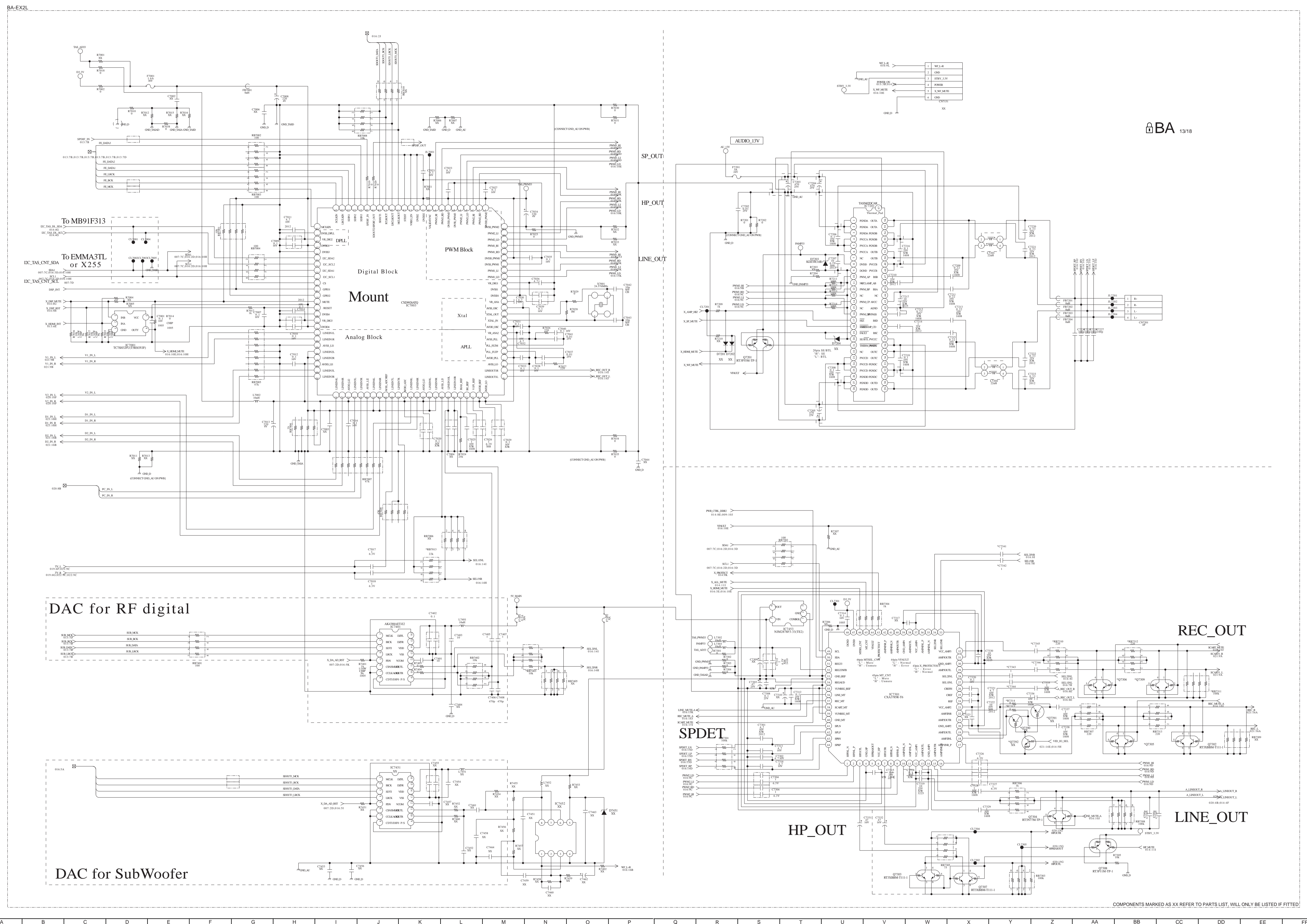
### DC\_ALERT3



### WATER FALL



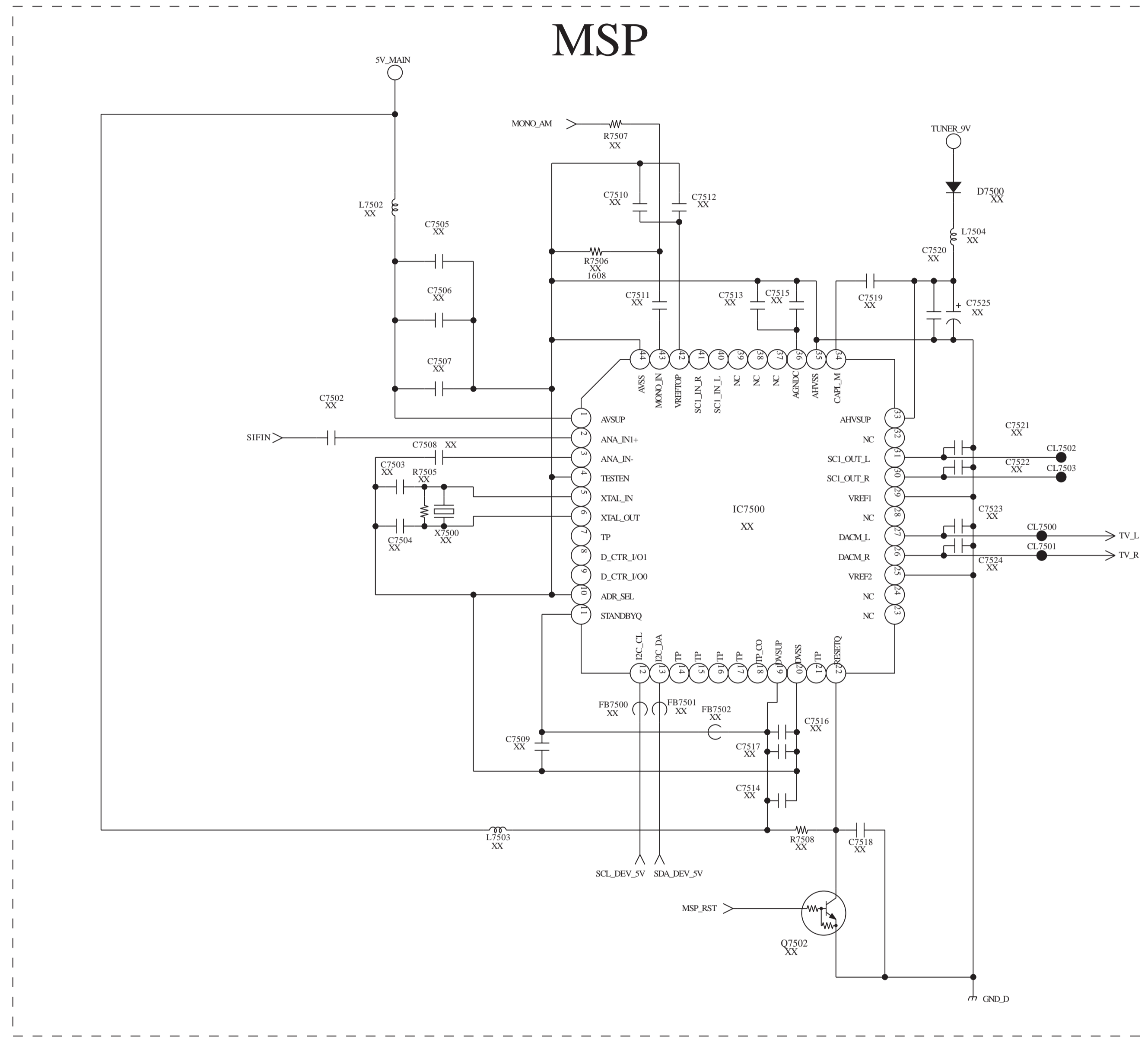
COMPONENTS MARKED AS XX REFER TO PARTS LIST. WILL ONLY BE LISTED IF FITTED



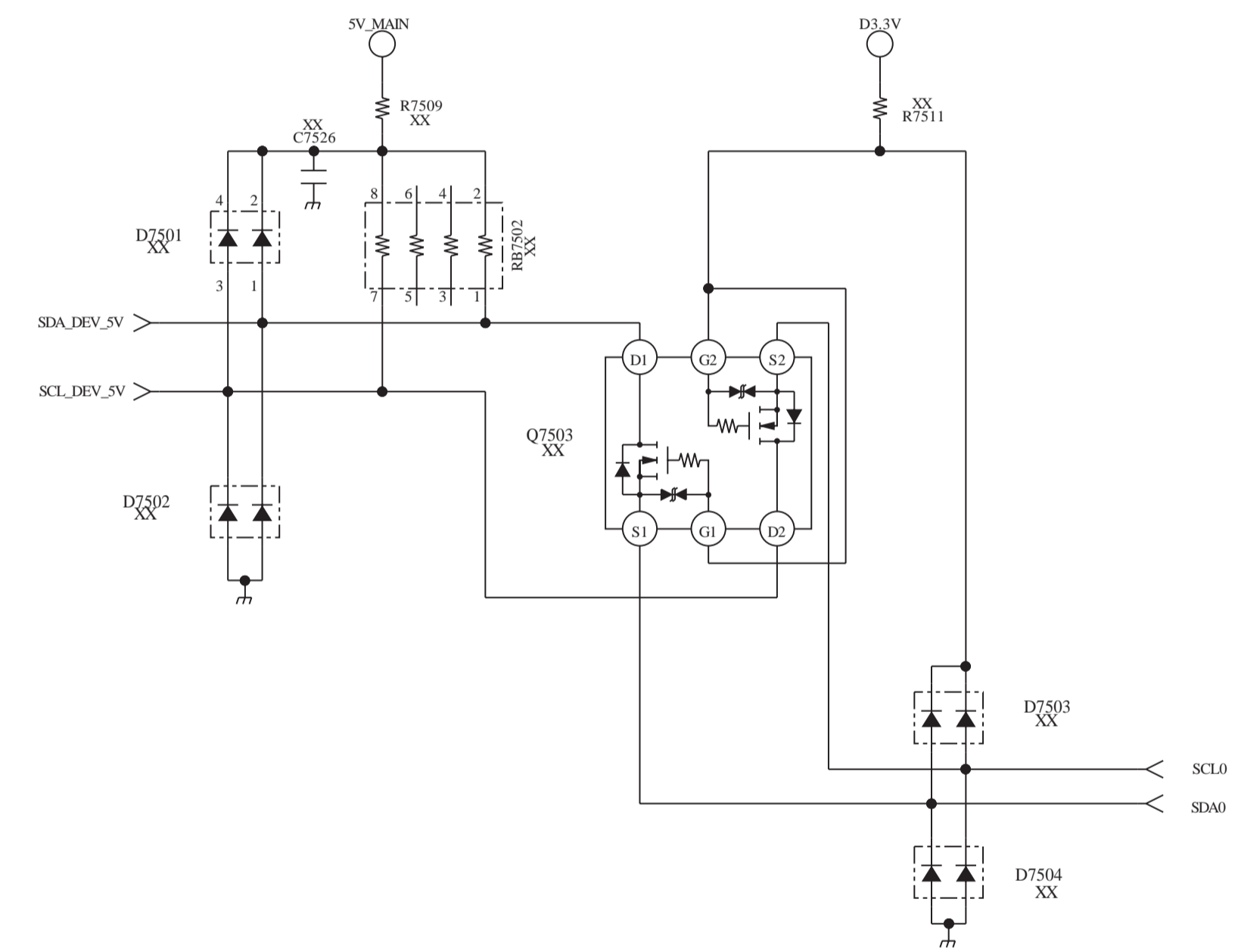
BA 13/18

COMPONENTS MARKED AS XX REFER TO PARTS LIST, WILL ONLY BE LISTED IF FITTED

BA-EX2L



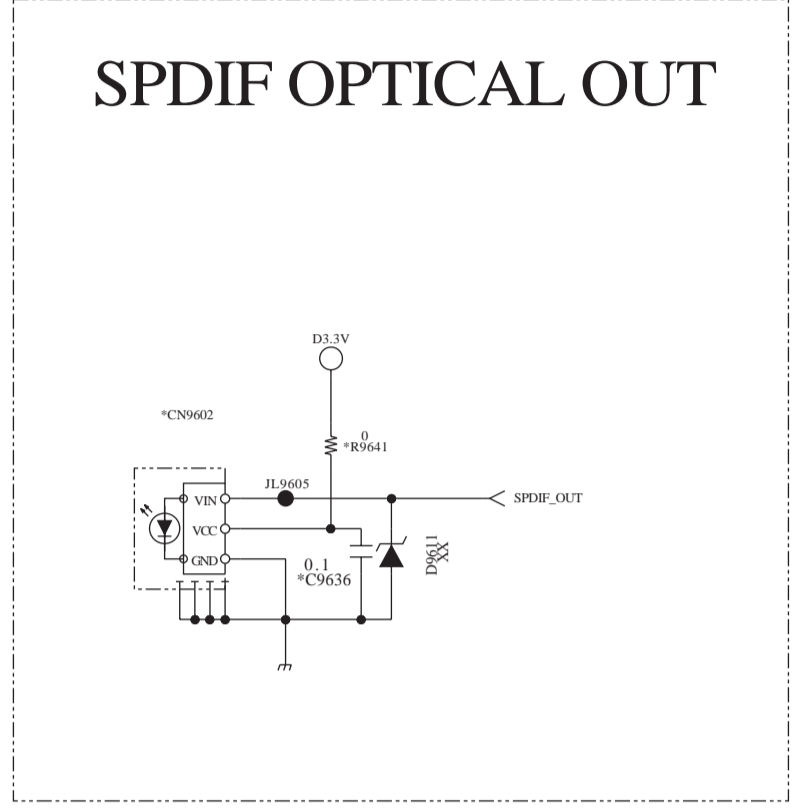
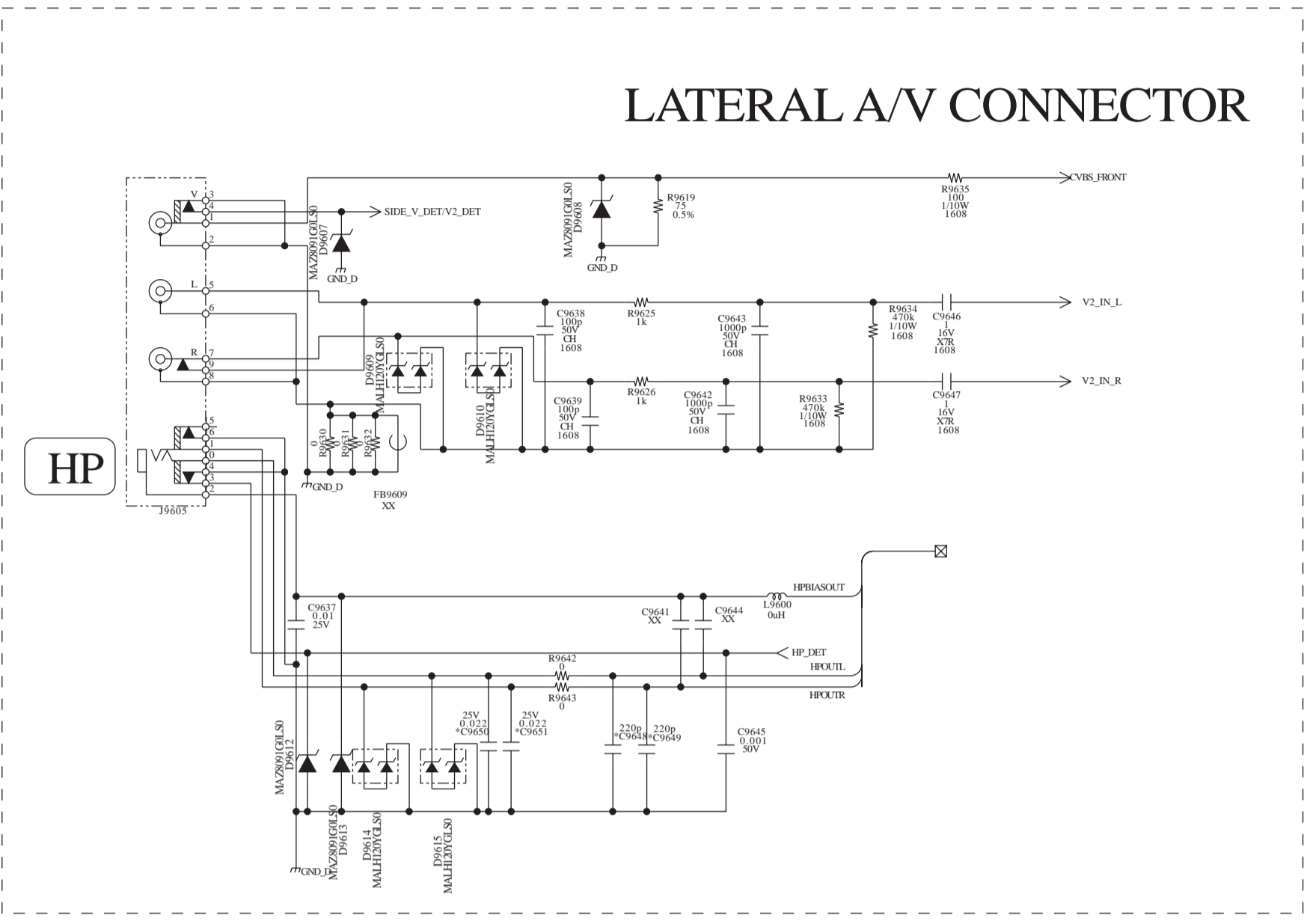
BA 14/18



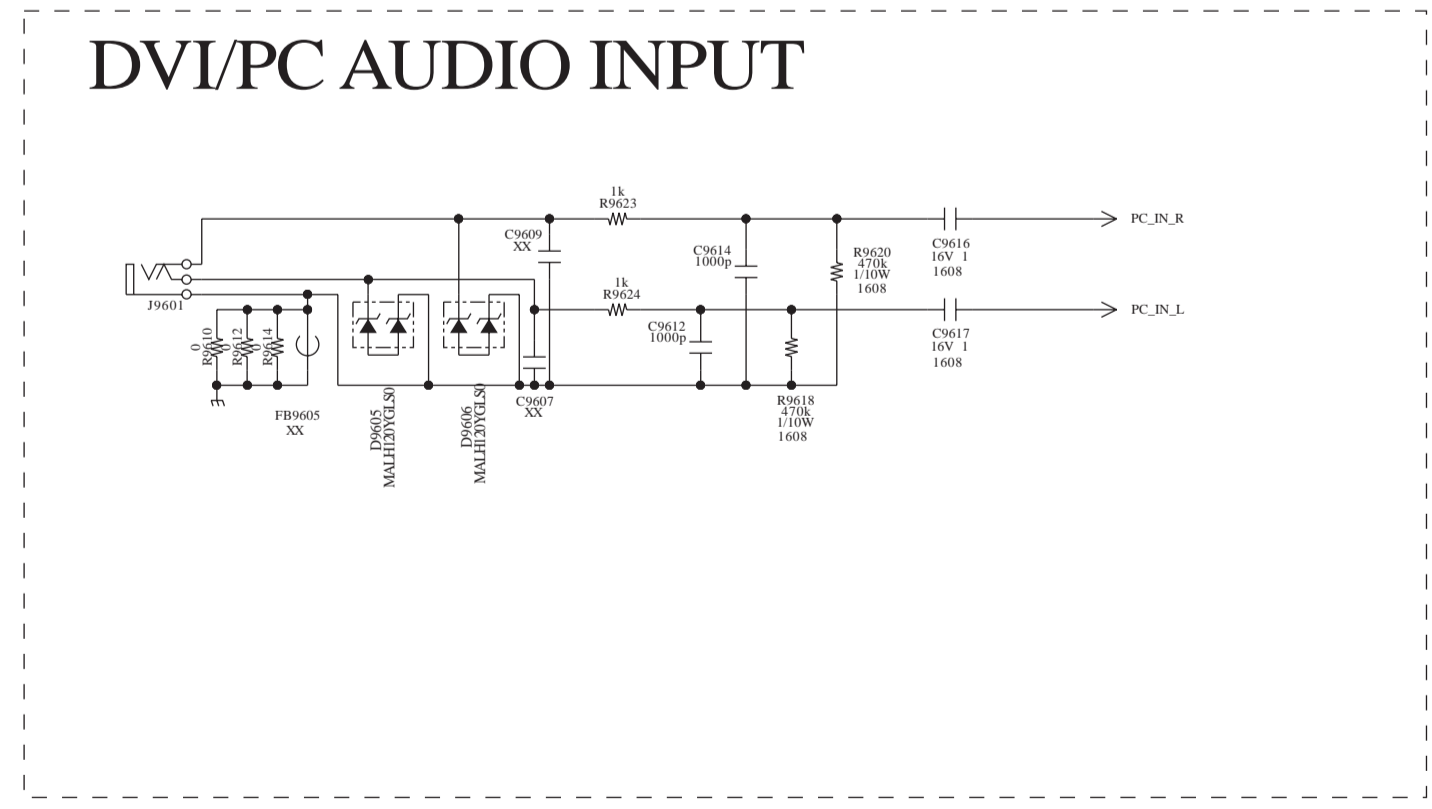
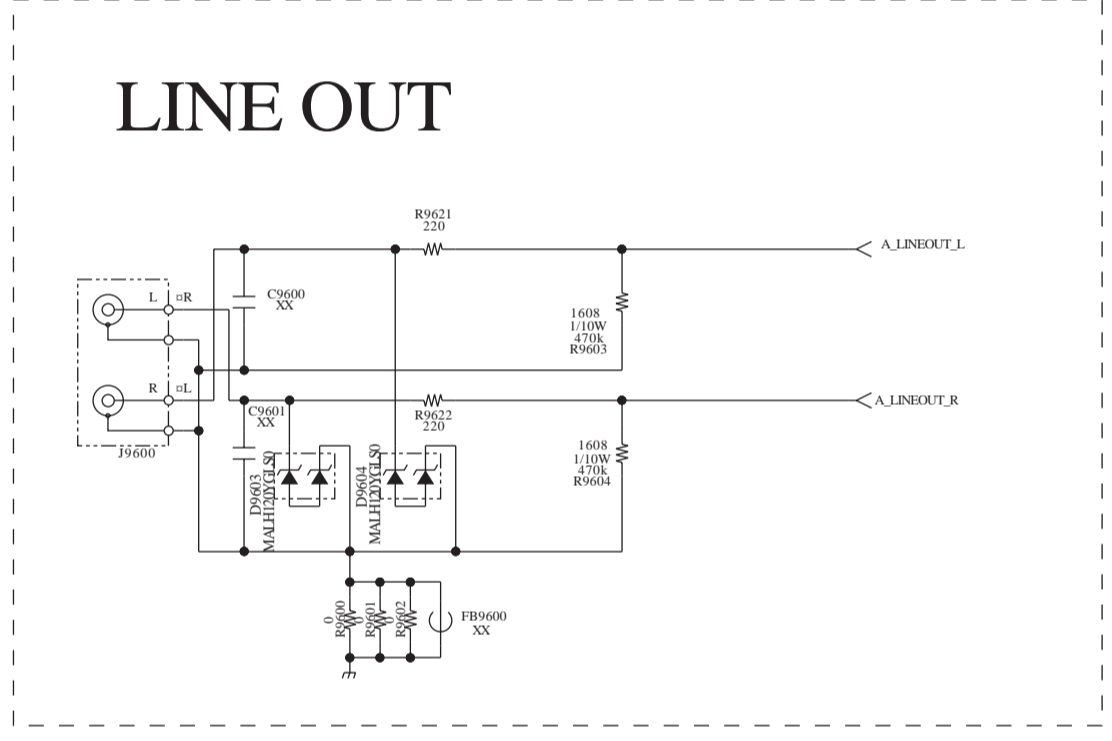
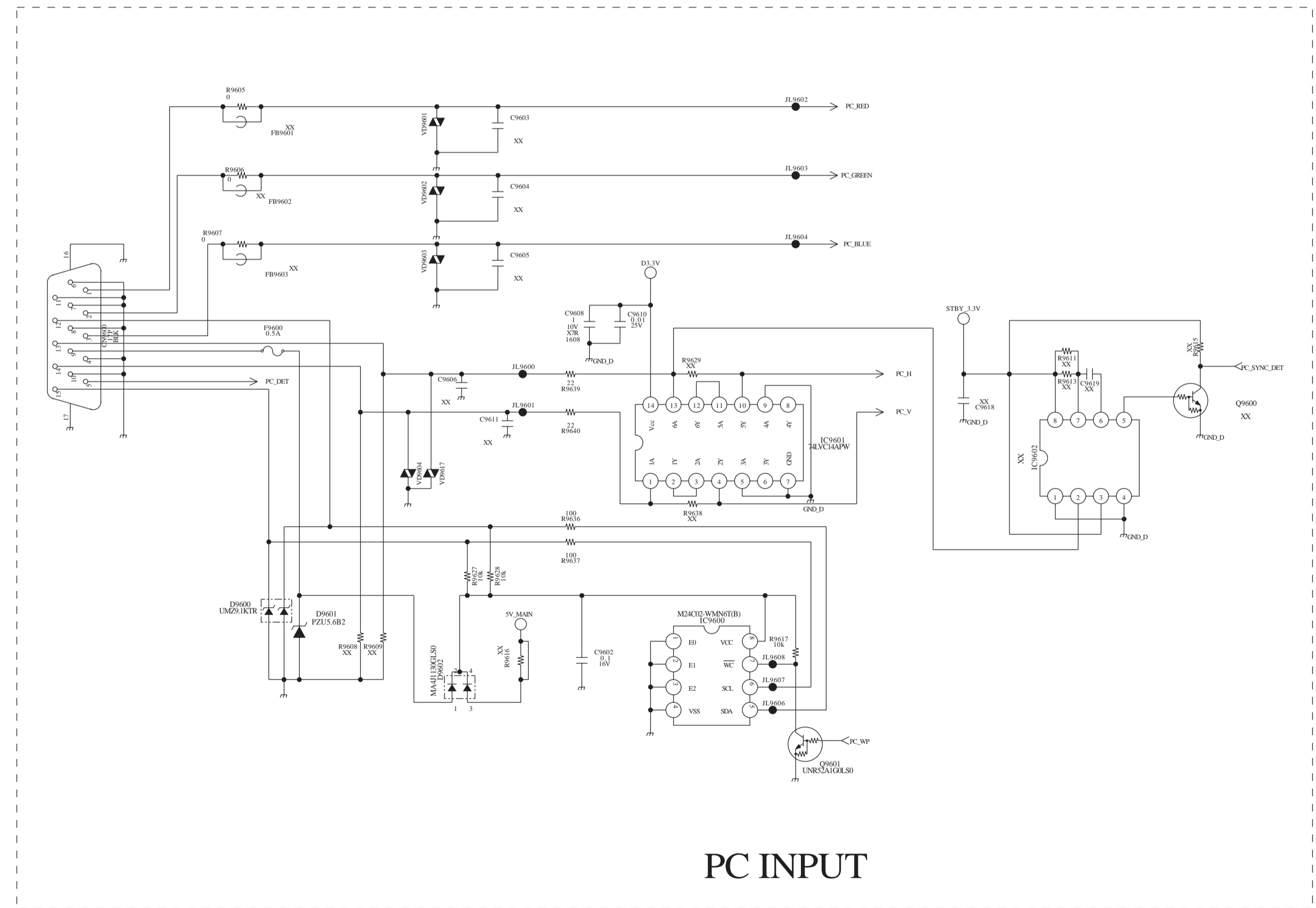
COMPONENTS MARKED AS XX REFER TO PARTS LIST, WILL ONLY BE LISTED IF FITTED!

- BA Board Schematic Diagram [ Tuner, Main Microcontroller, HDMI/AV Input/PC Input, Scarts ] Page 14/18 -

BA-EX2L



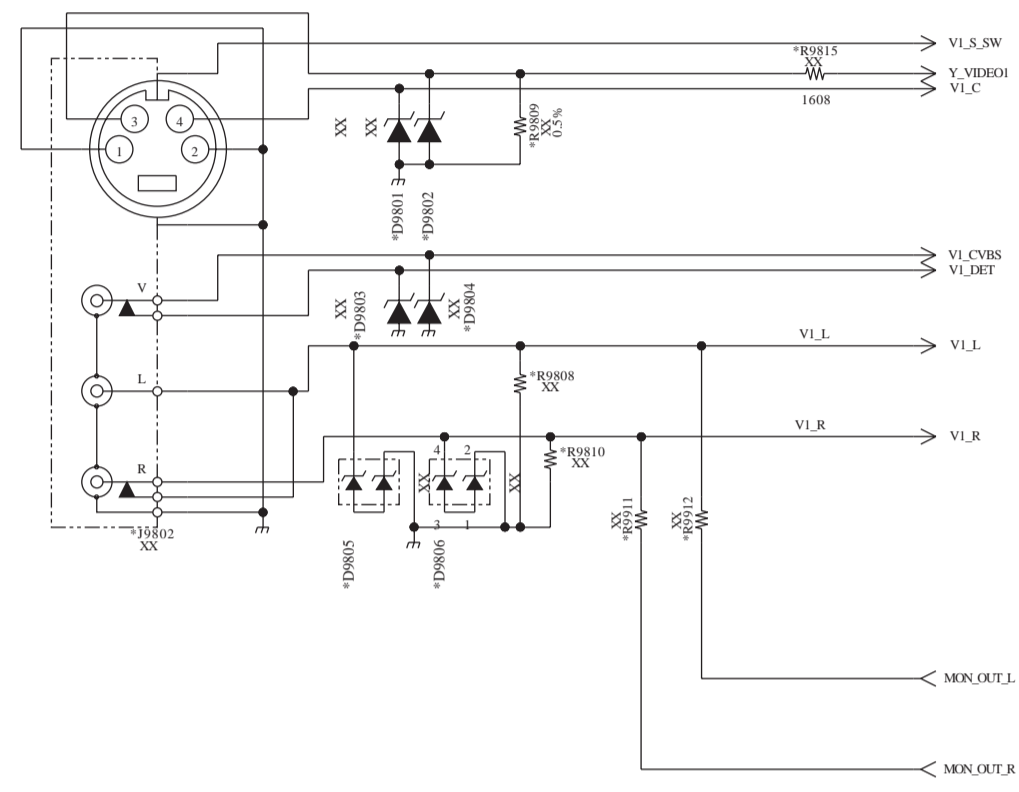
BA 15/18



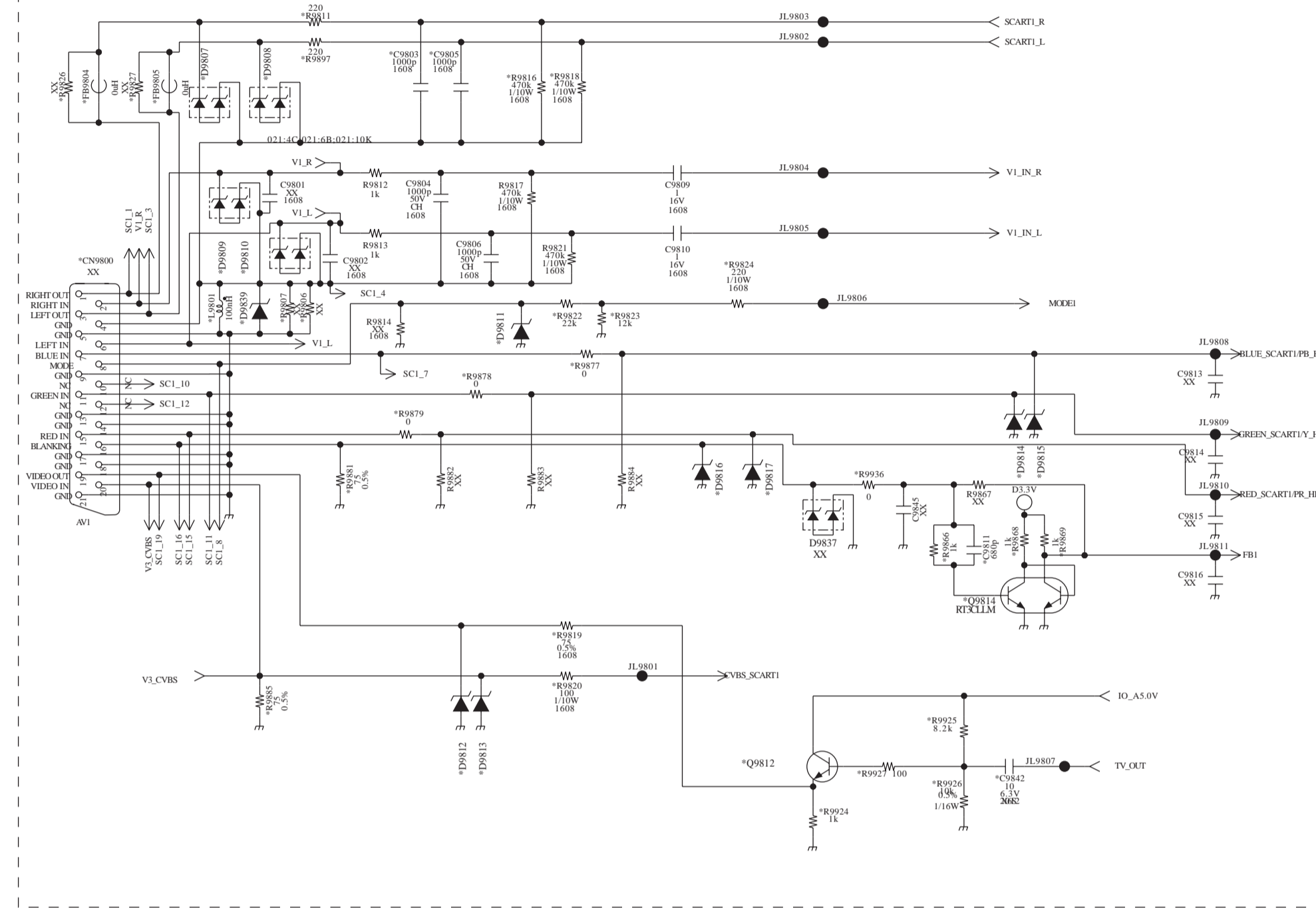
COMPONENTS MARKED AS XX REFER TO PARTS LIST. WILL ONLY BE LISTED IF FITTED

BA-EX2L

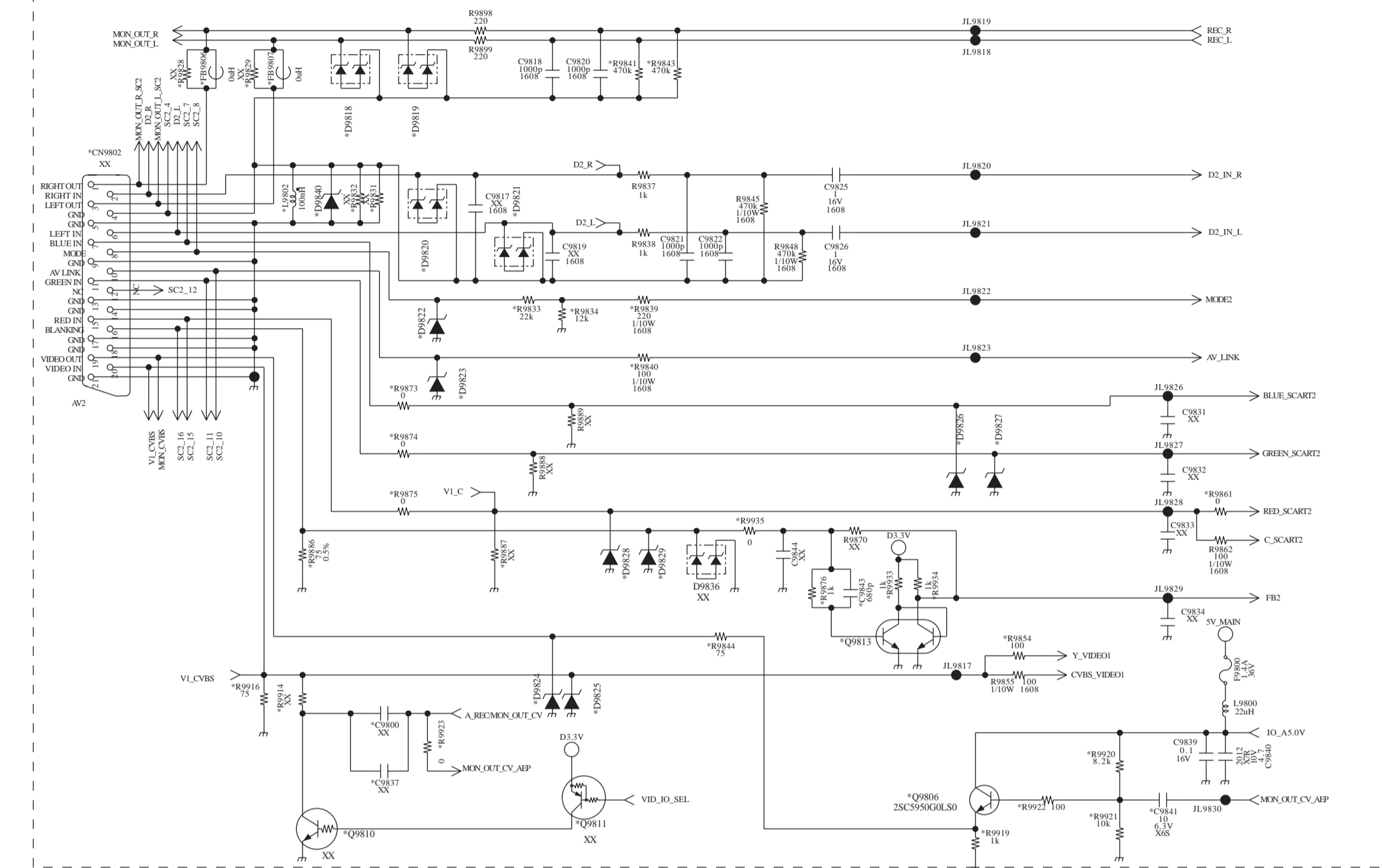
### CVBS INPUT & OUTPUT Y/C INPUT



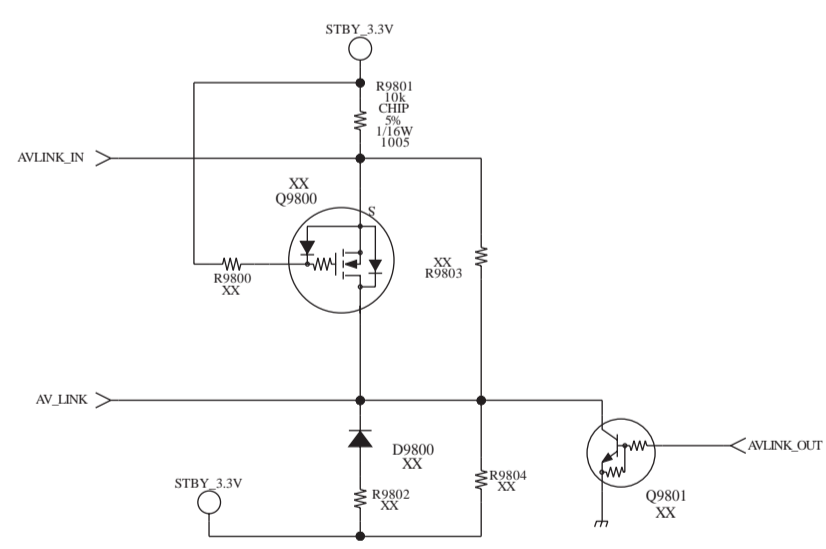
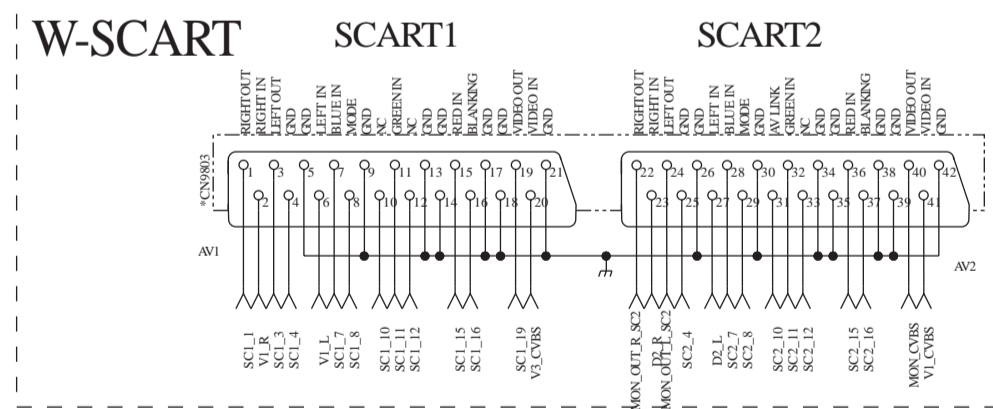
### SCART1



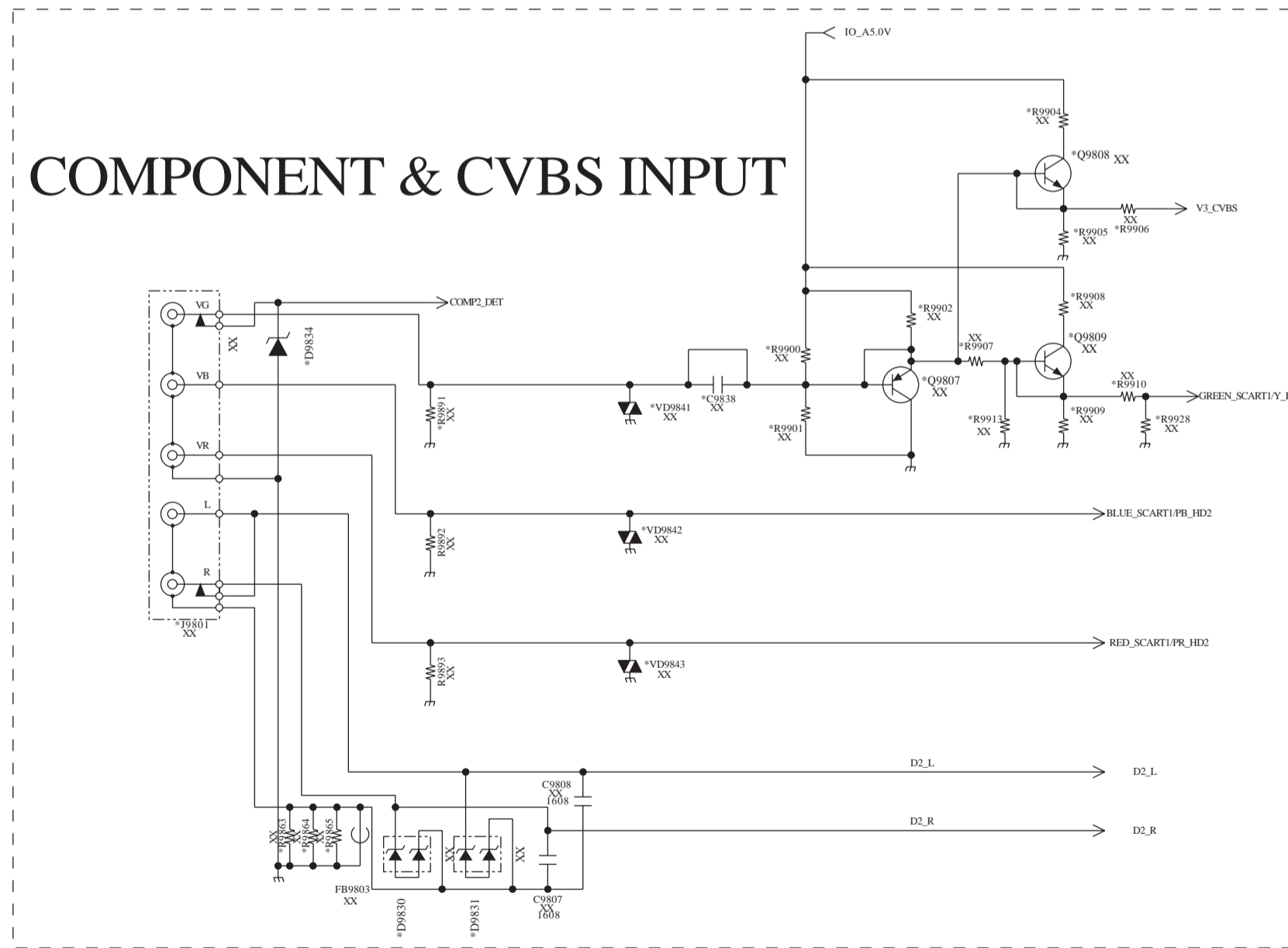
### SCART2



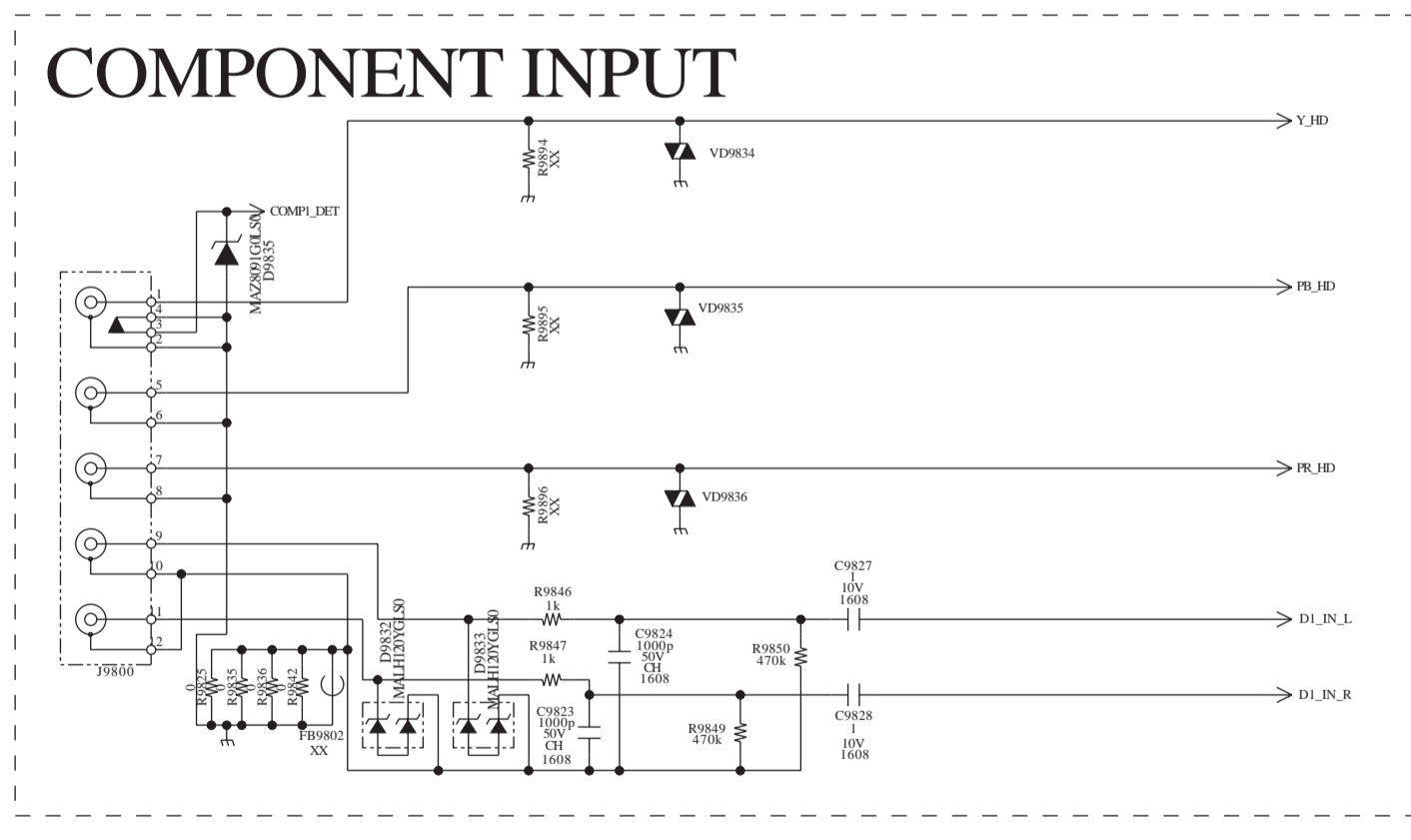
BA 16/18



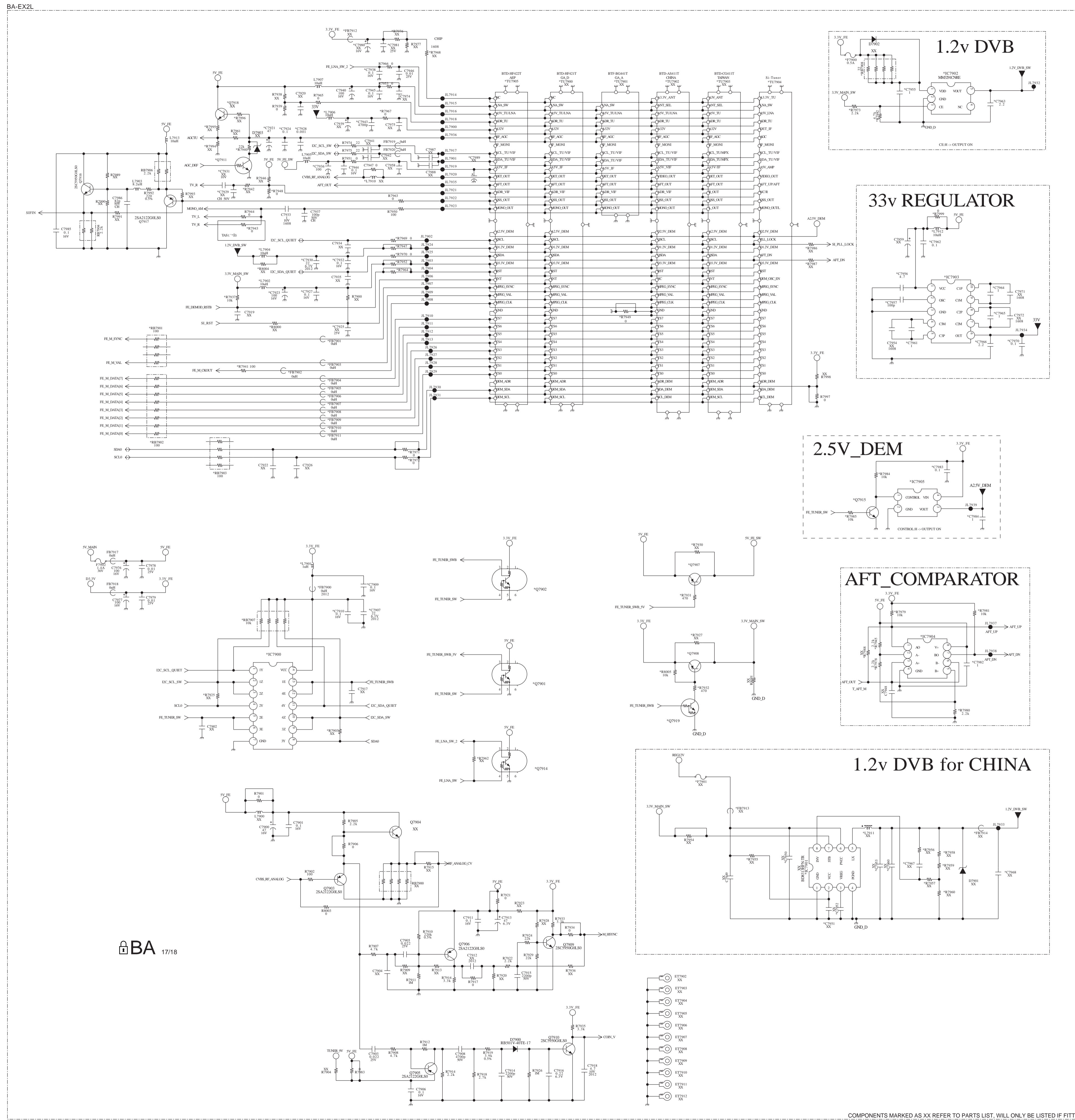
### COMPONENT & CVBS INPUT



### COMPONENT INPUT



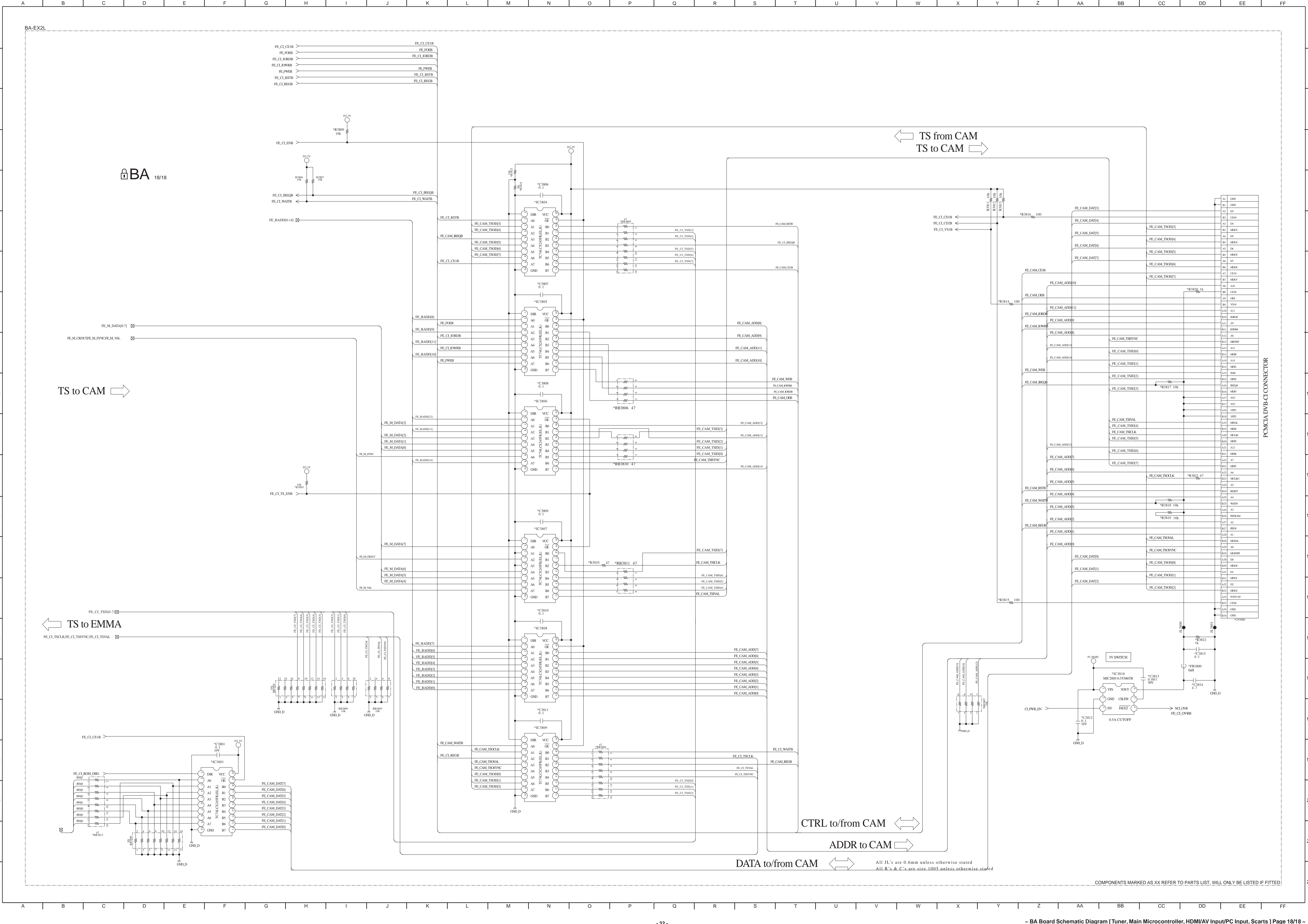
COMPONENTS MARKED AS XX REFER TO PARTS LIST. WILL ONLY BE LISTED IF FITTED!



BA 17/18

COMPONENTS MARKED AS XX REFER TO PARTS LIST, WILL ONLY BE LISTED IF FITTED



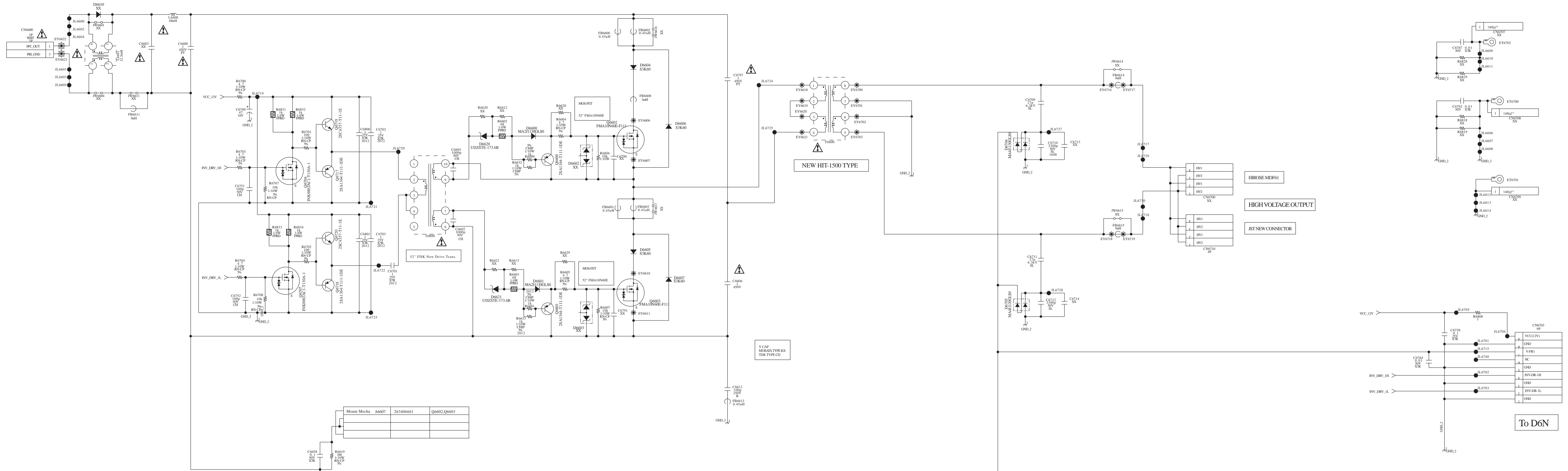


PCMCIA DVB-CI CONNECTOR

All J1's are 0.6mm unless otherwise stated  
All R's & C's are size 1005 unless otherwise stated

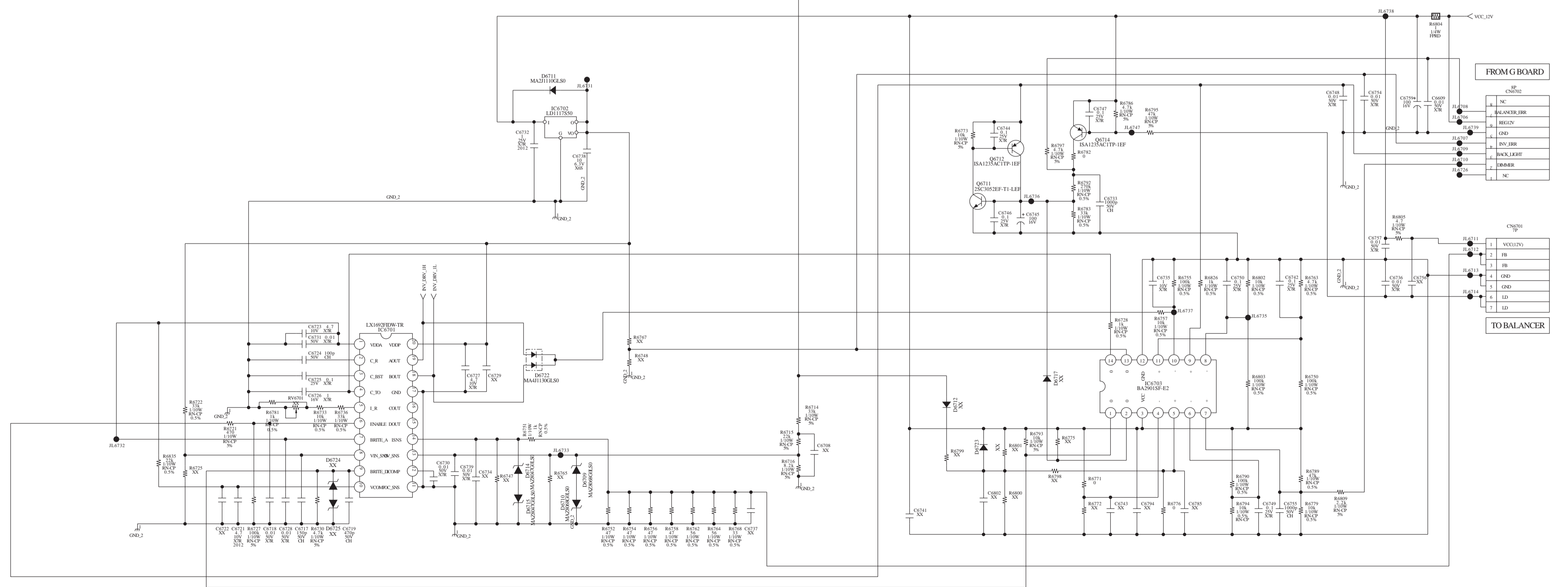
COMPONENTS MARKED AS XX REFER TO PARTS LIST, WILL ONLY BE LISTED IF FITTED

D5N-EX2L(52 Inches)



Mount Mch	A6607	263406661	Q6602-Q6603
-----------	-------	-----------	-------------

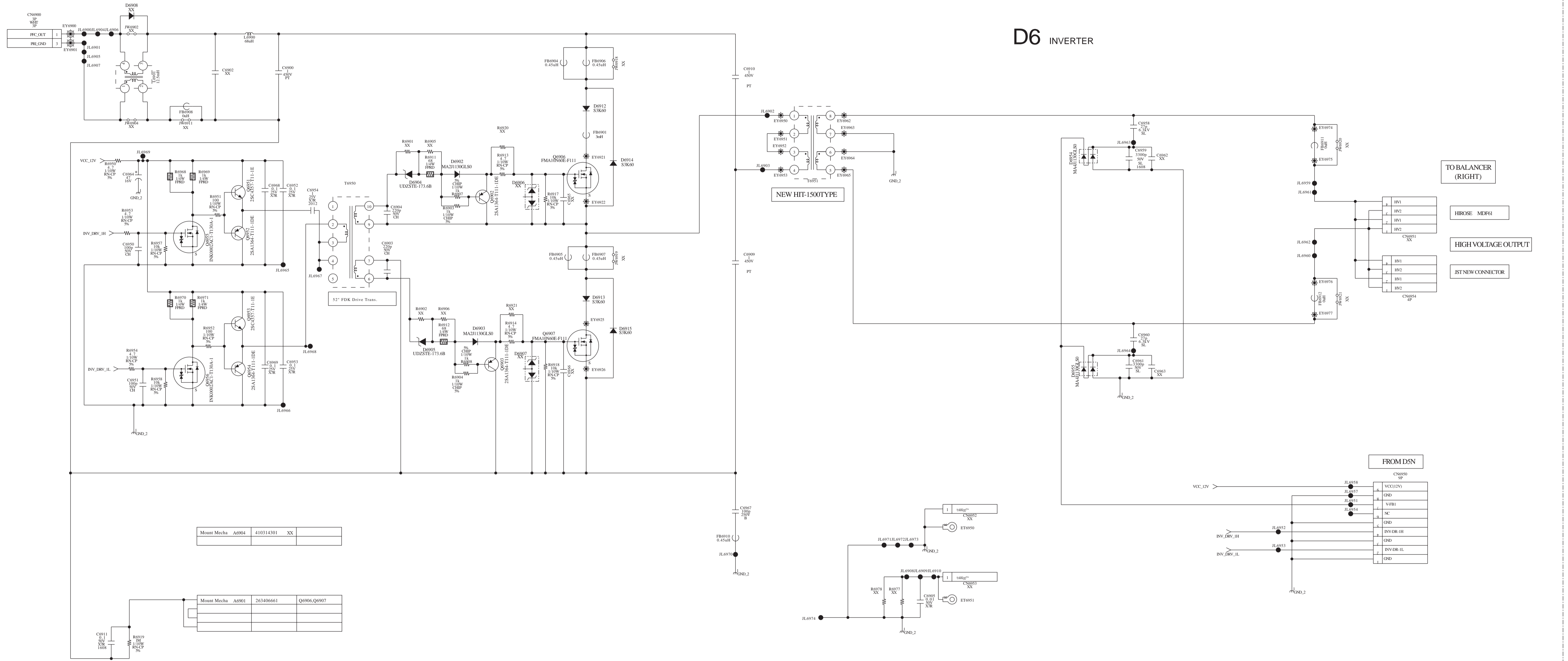
### D5 INVERTER



COMPONENTS MARKED AS XX REFER TO PARTS LIST. WILL ONLY BE LISTED IF FITTED.

D6N-EX2L(52 Inches)

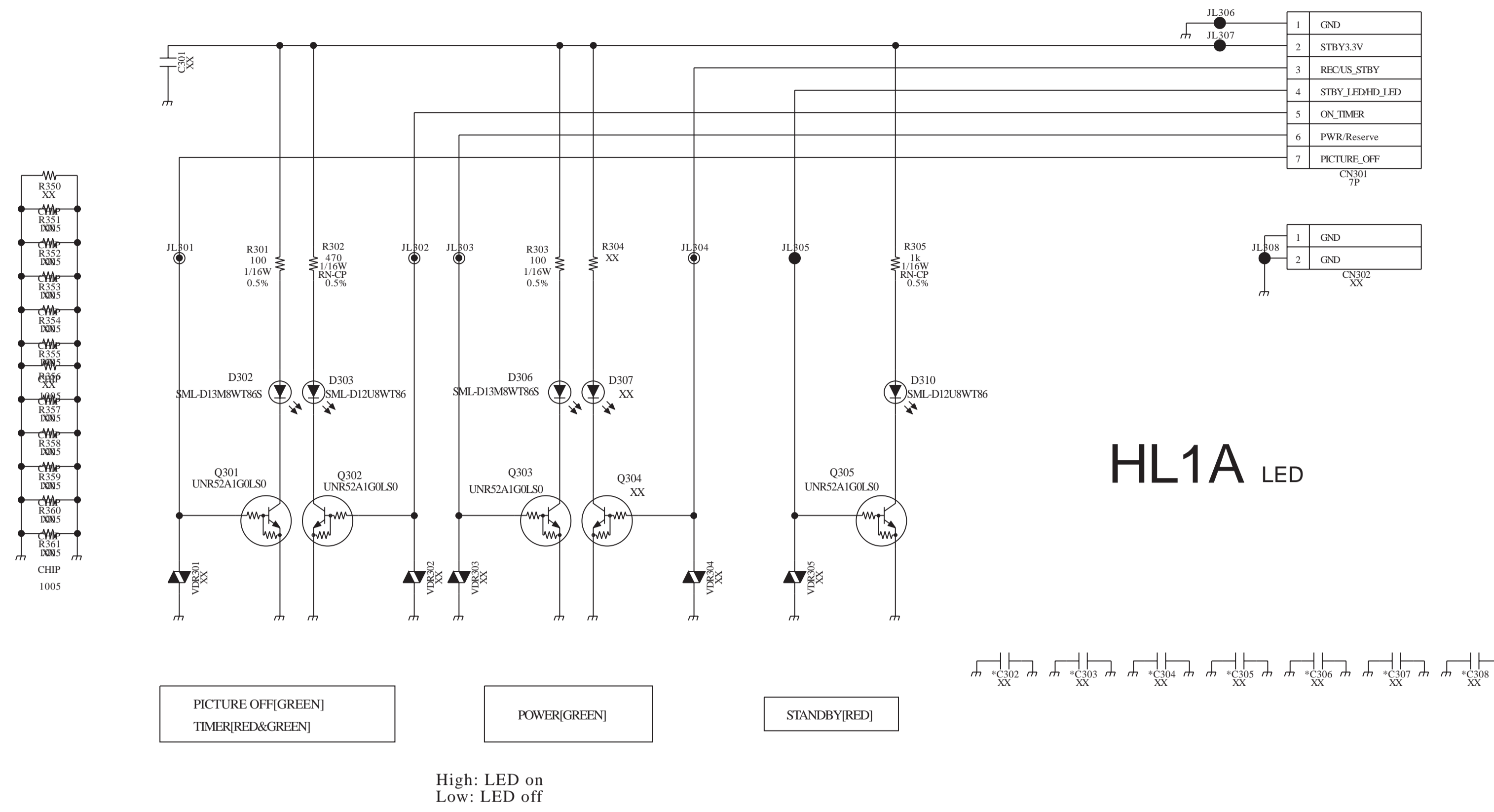
# D6 INVERTER



COMPONENTS MARKED AS XX REFER TO PARTS LIST. WILL ONLY BE LISTED IF FITTED

- D6 Board Schematic Diagram [ Inverter ] -

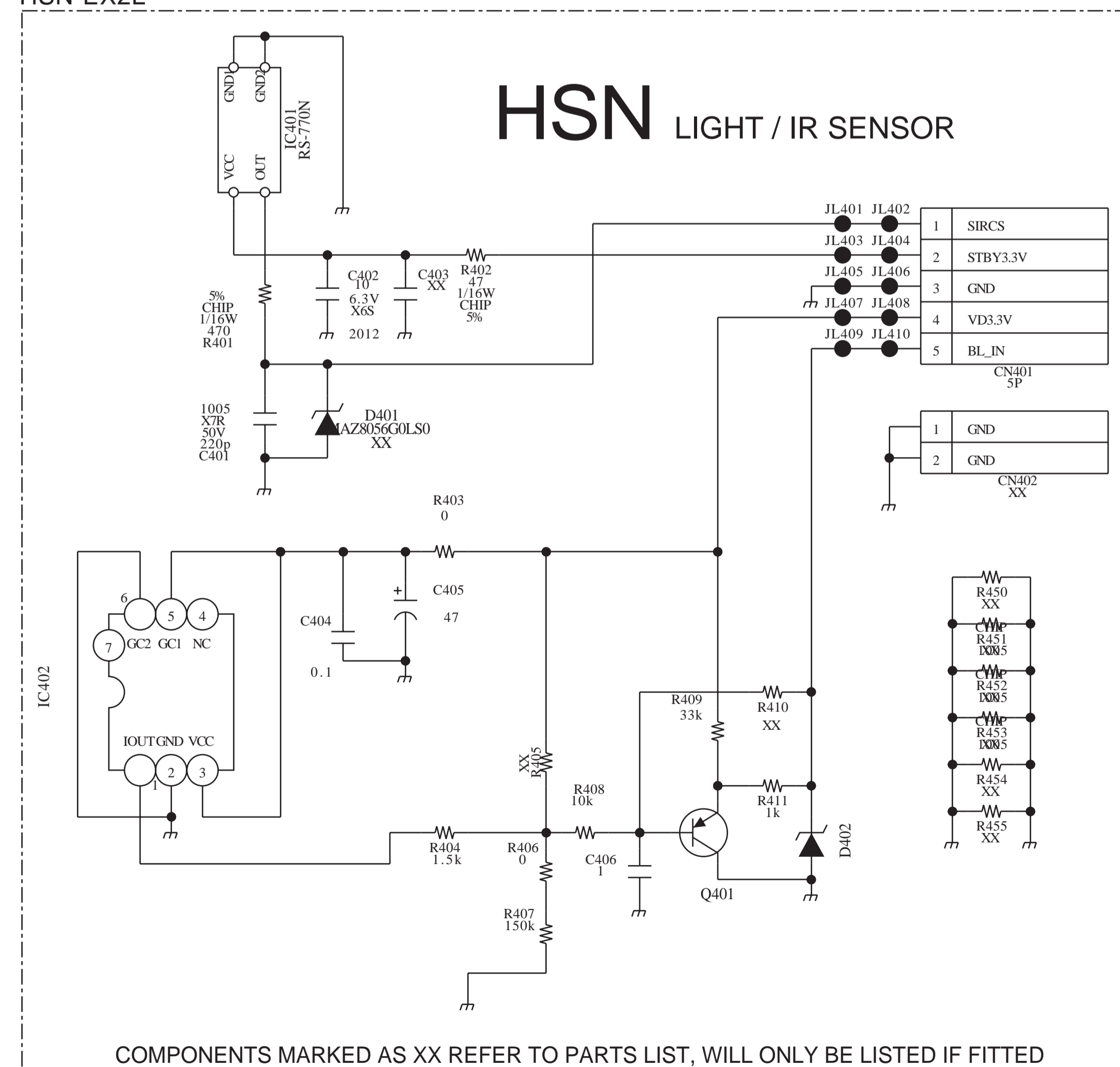
HL1A-EX2L



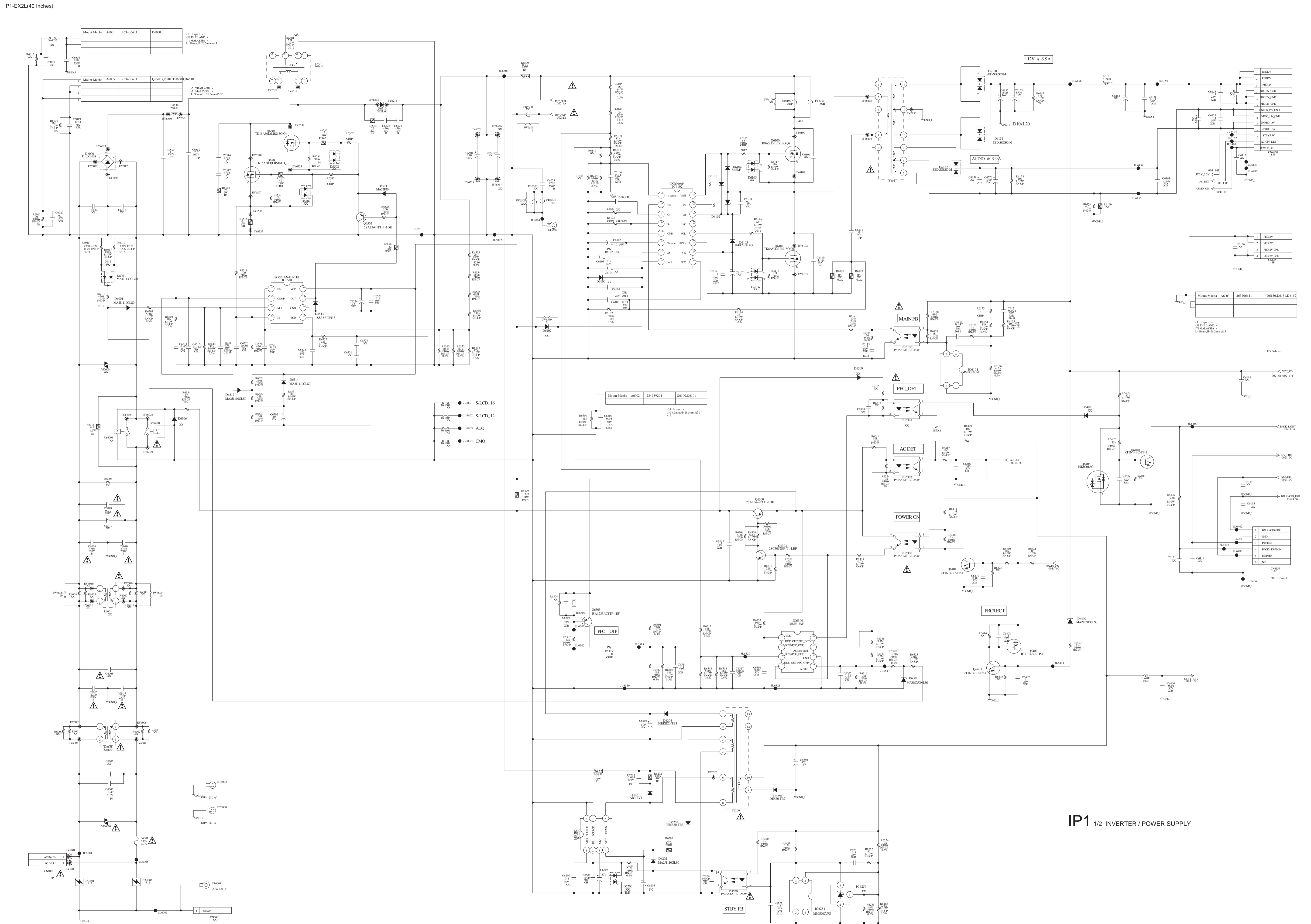
COMPONENTS MARKED AS XX REFER TO PARTS LIST, WILL ONLY BE LISTED IF FITTED

- HL1A Board Schematic Diagram [ LED ] -

HSN-EX2L



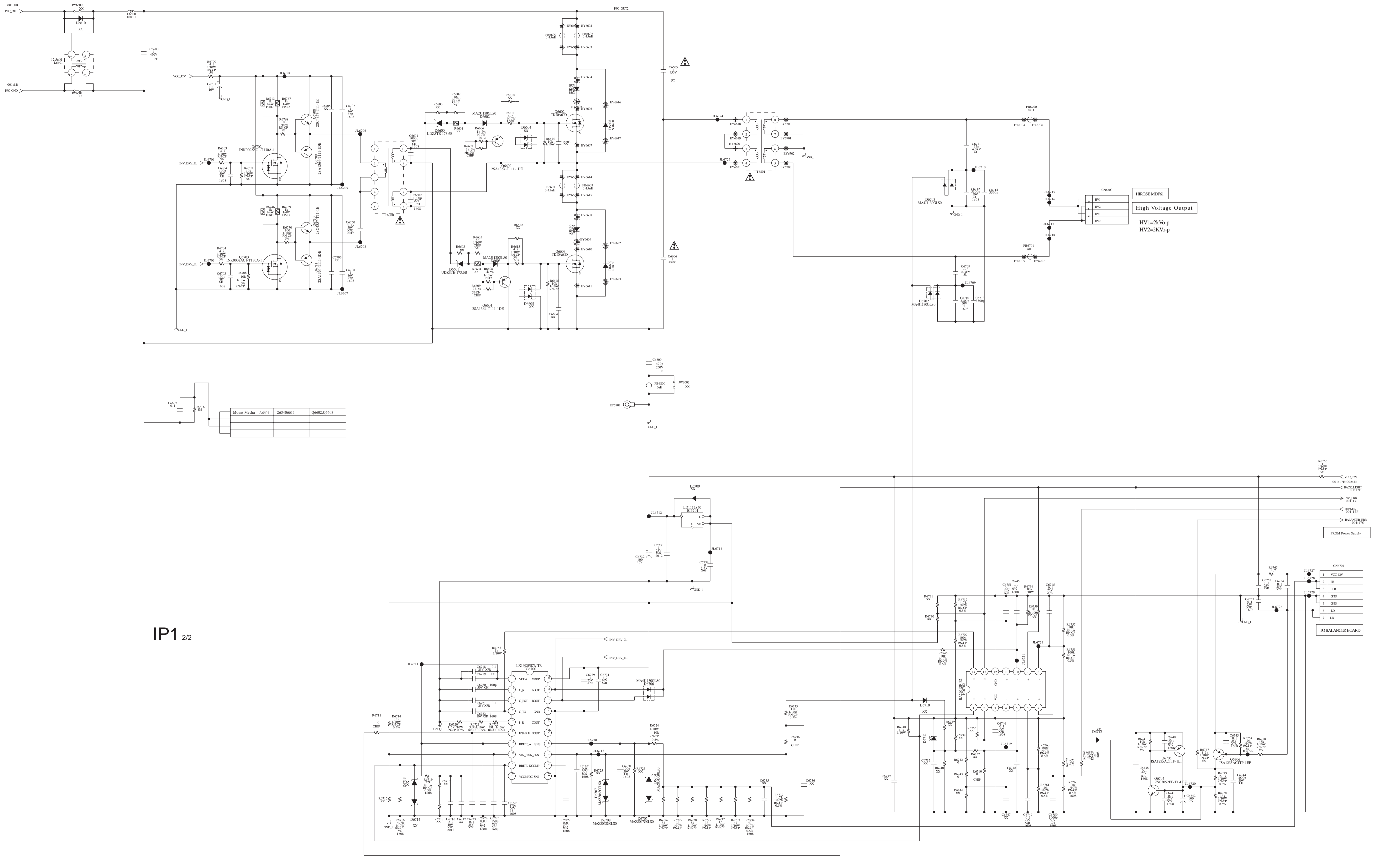
- HSN Board Schematic Diagram [ Light / IR Sensor ] -



IP1 1/2 INVERTER / POWER SUPPLY

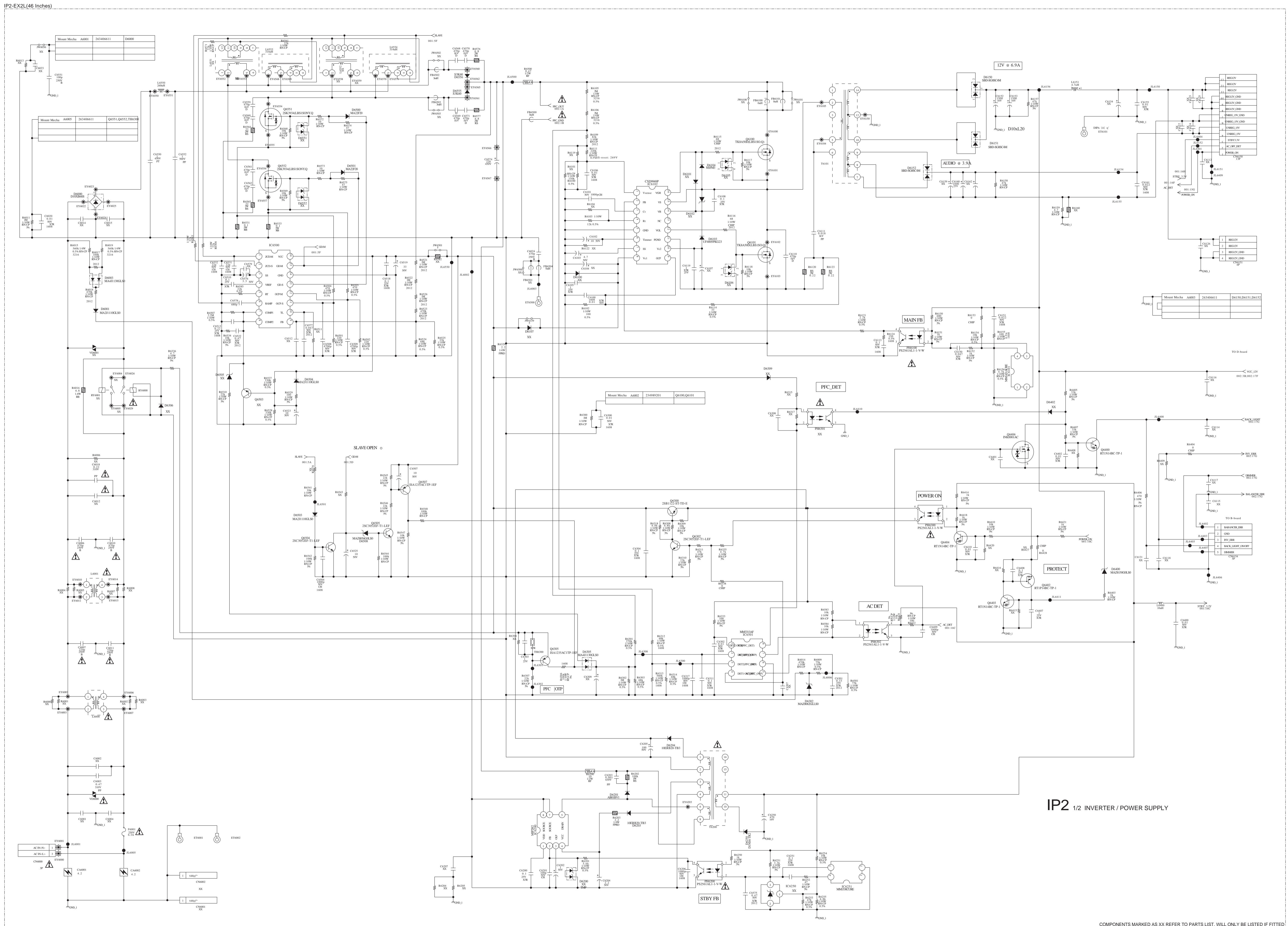
COMPONENTS MARKED AS XX REFER TO PARTS LIST. WILL ONLY BE LISTED IF FITTED!

IP1-EX2L(40 Inches)



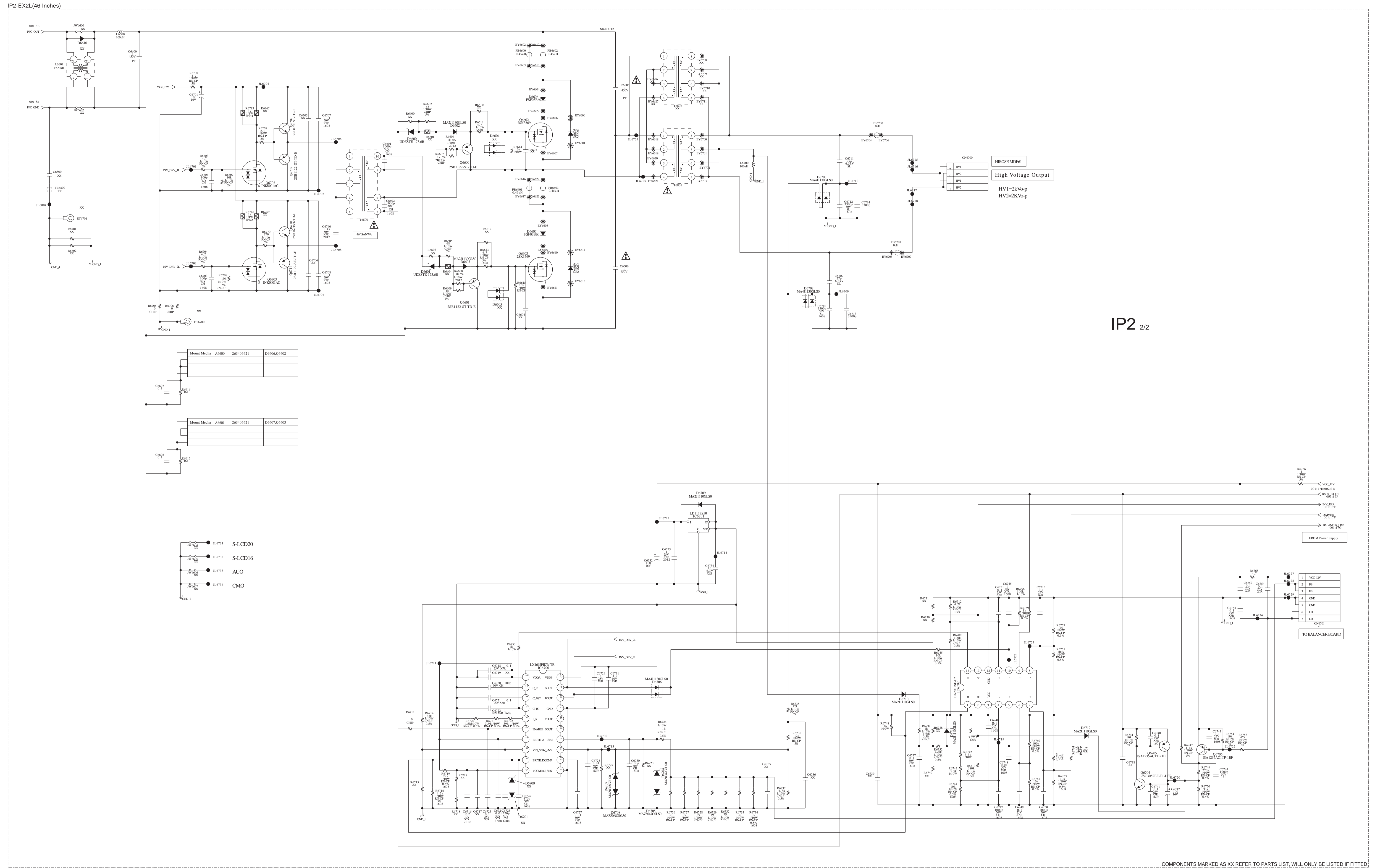
IP1 2/2

COMPONENTS MARKED AS XX REFER TO PARTS LIST. WILL ONLY BE LISTED IF FITTED!



IP2 1/2 INVERTER / POWER SUPPLY

COMPONENTS MARKED AS XX REFER TO PARTS LIST, WILL ONLY BE LISTED IF FITTED



IP2 2/2

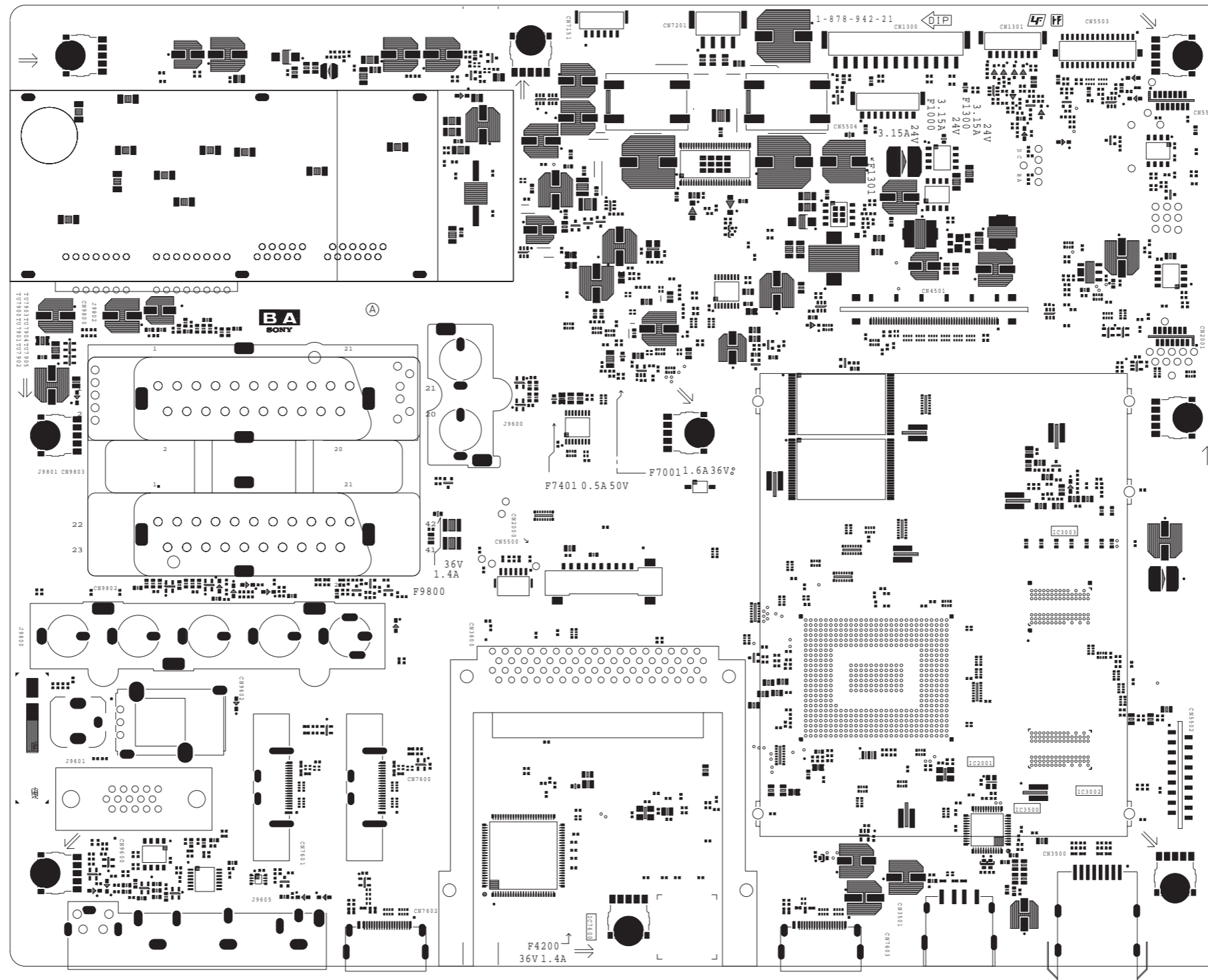
Mount Mecha	A6600	263406621	D6606,Q6602
Mount Mecha	A6601	263406621	D6607,Q6603

S-LCD20	JL6711
S-LCD16	JL6712
AUX	JL6713
CMO	JL6714

COMPONENTS MARKED AS XX REFER TO PARTS LIST, WILL ONLY BE LISTED IF FITTED



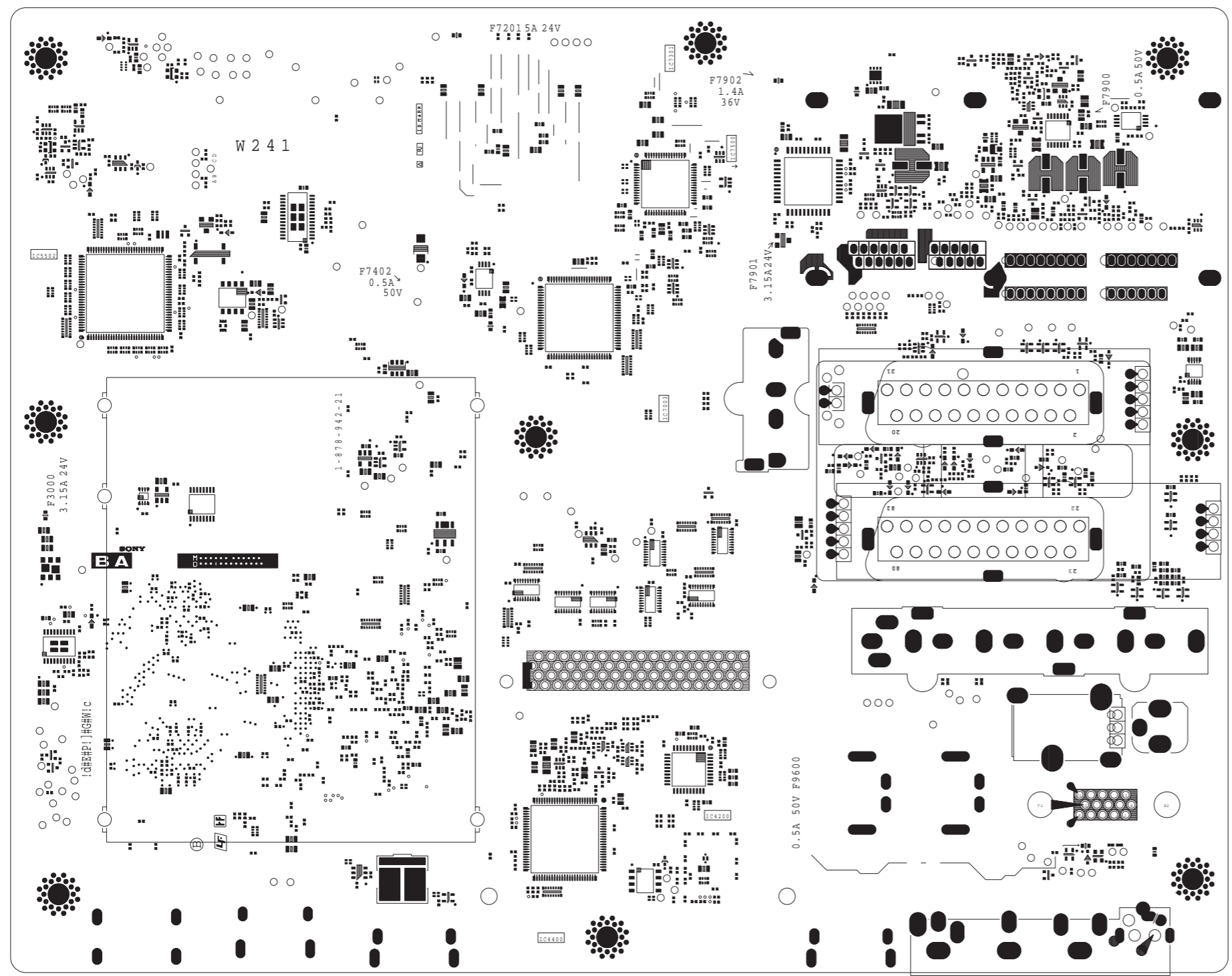
~ BA Printed Wiring Board Side A ~



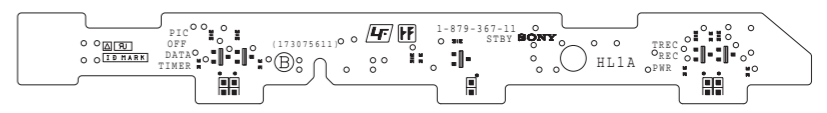
A B C D E F G H I J K L M N O

1  
2  
3  
4  
5  
6  
7  
8  
9  
10  
11

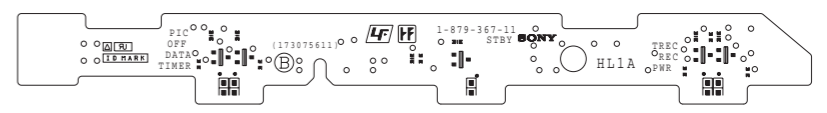
~ BA Printed Wiring Board Side B ~



~ HL1A Printed Wiring Board Side A ~

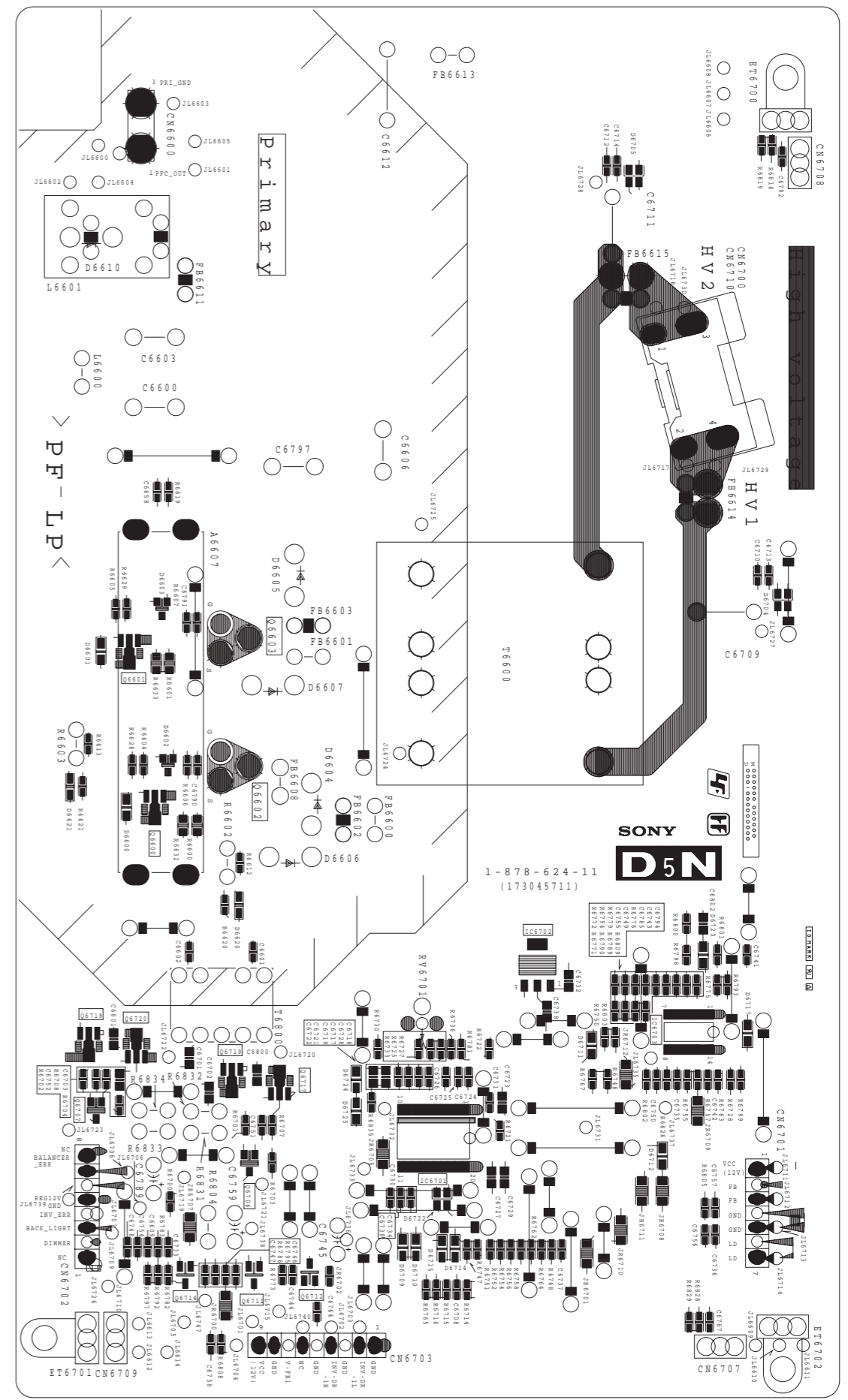
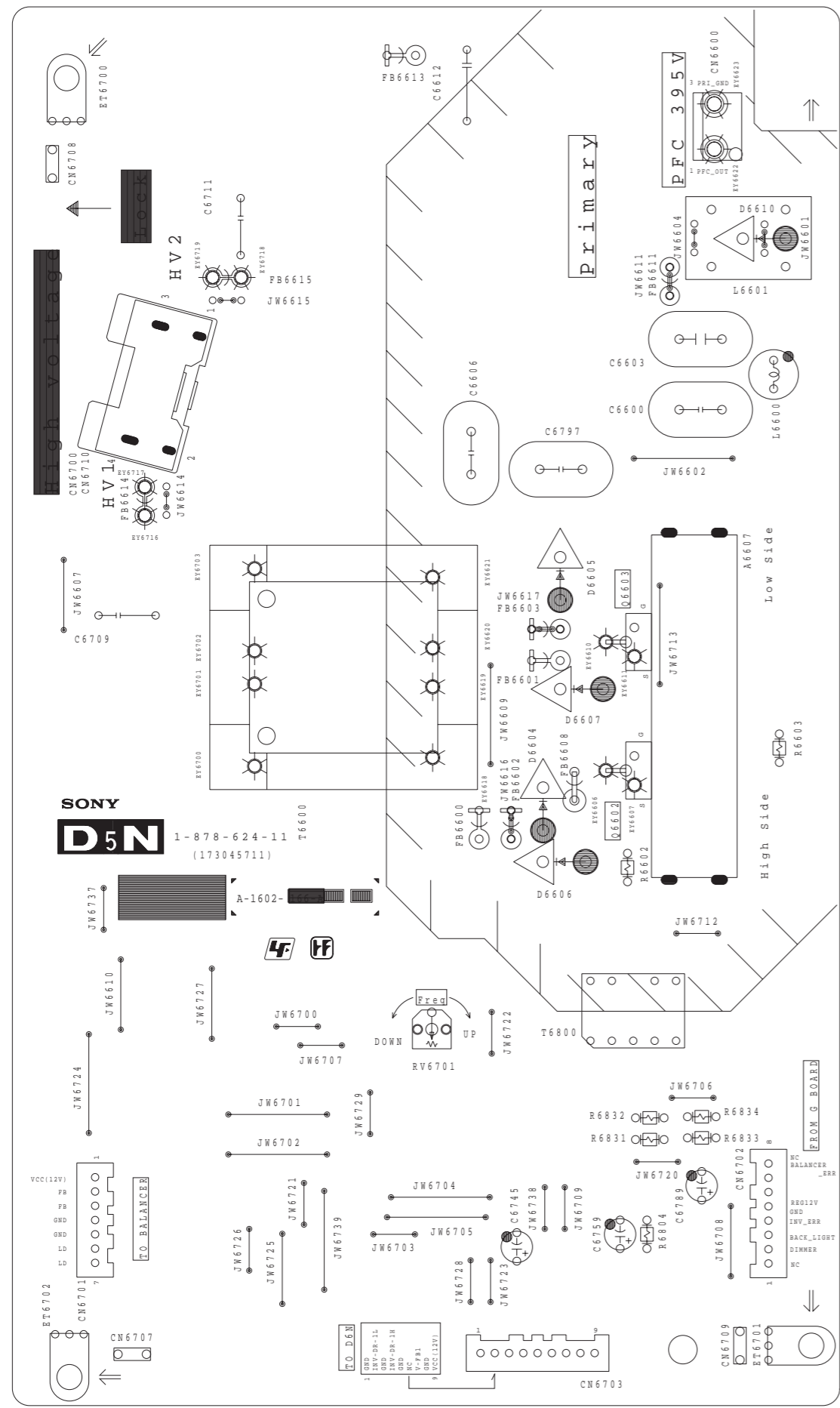


~ HL1A Printed Wiring Board Side B ~

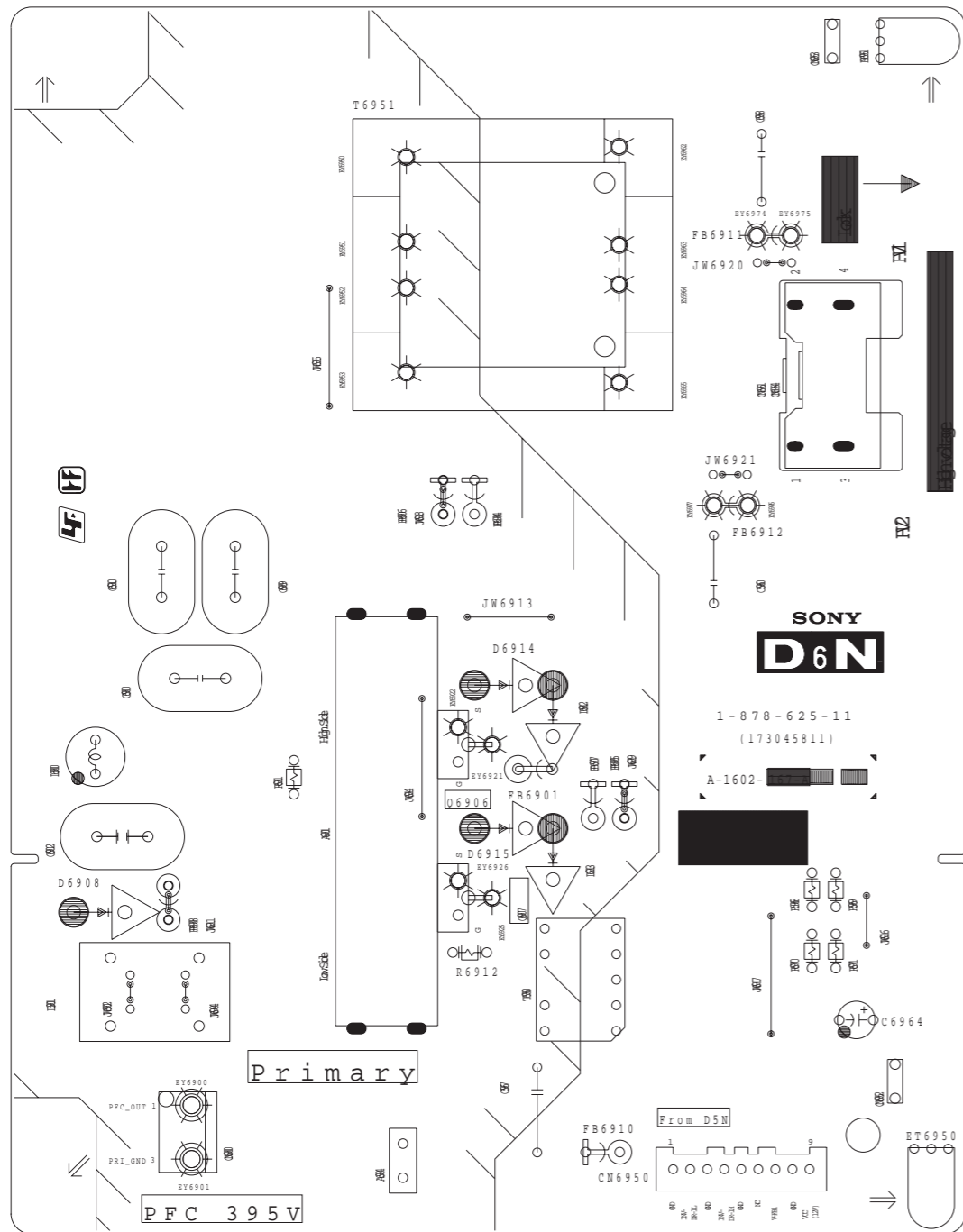


~ D5 Printed Wiring Board ~

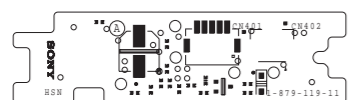
1  
2  
3  
4  
5  
6  
7  
8  
9  
10  
11



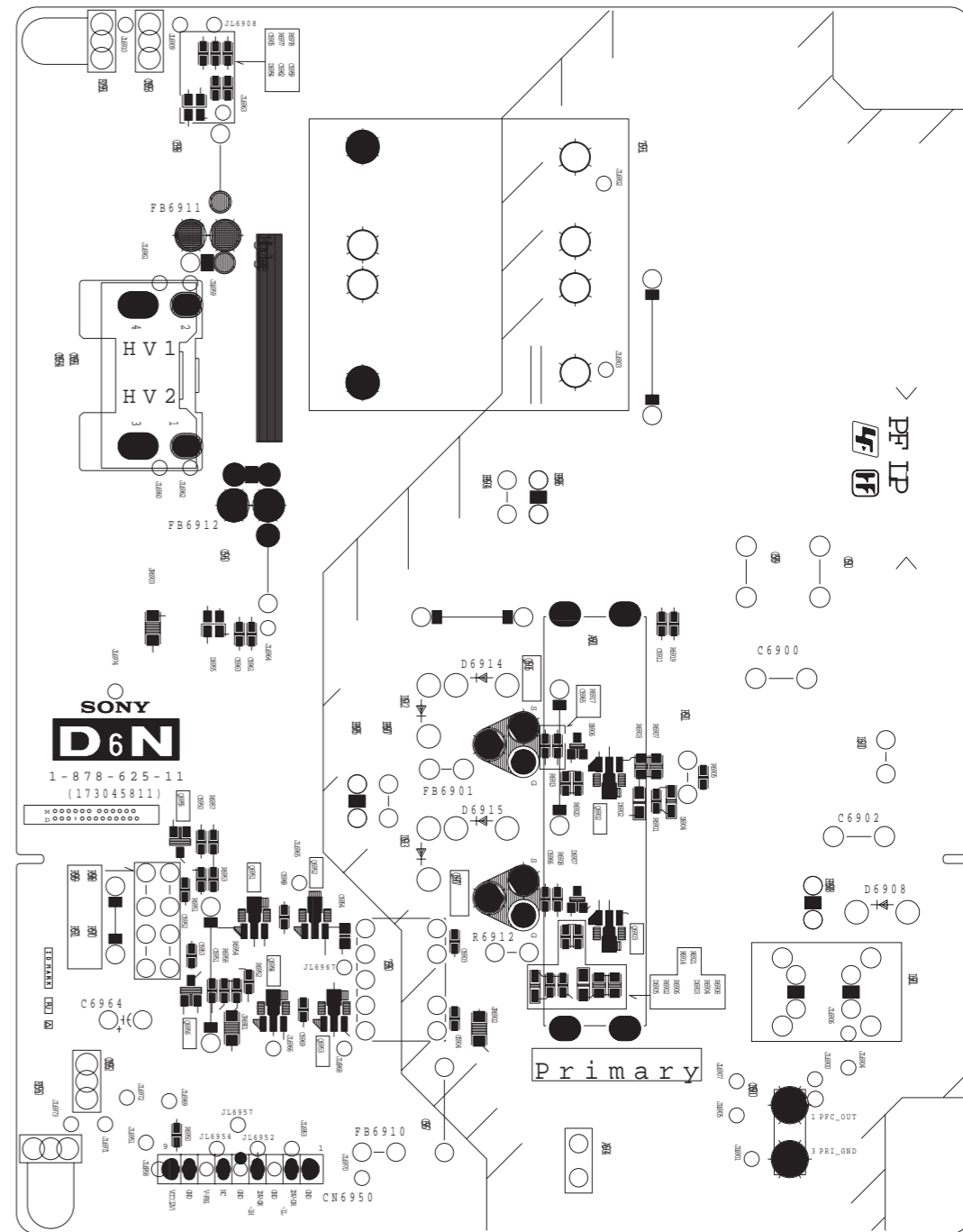
~ D6 Printed Wiring Board Side A ~



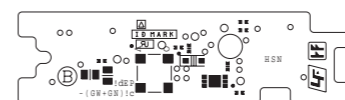
~ HSN Printed Wiring Board Side A ~



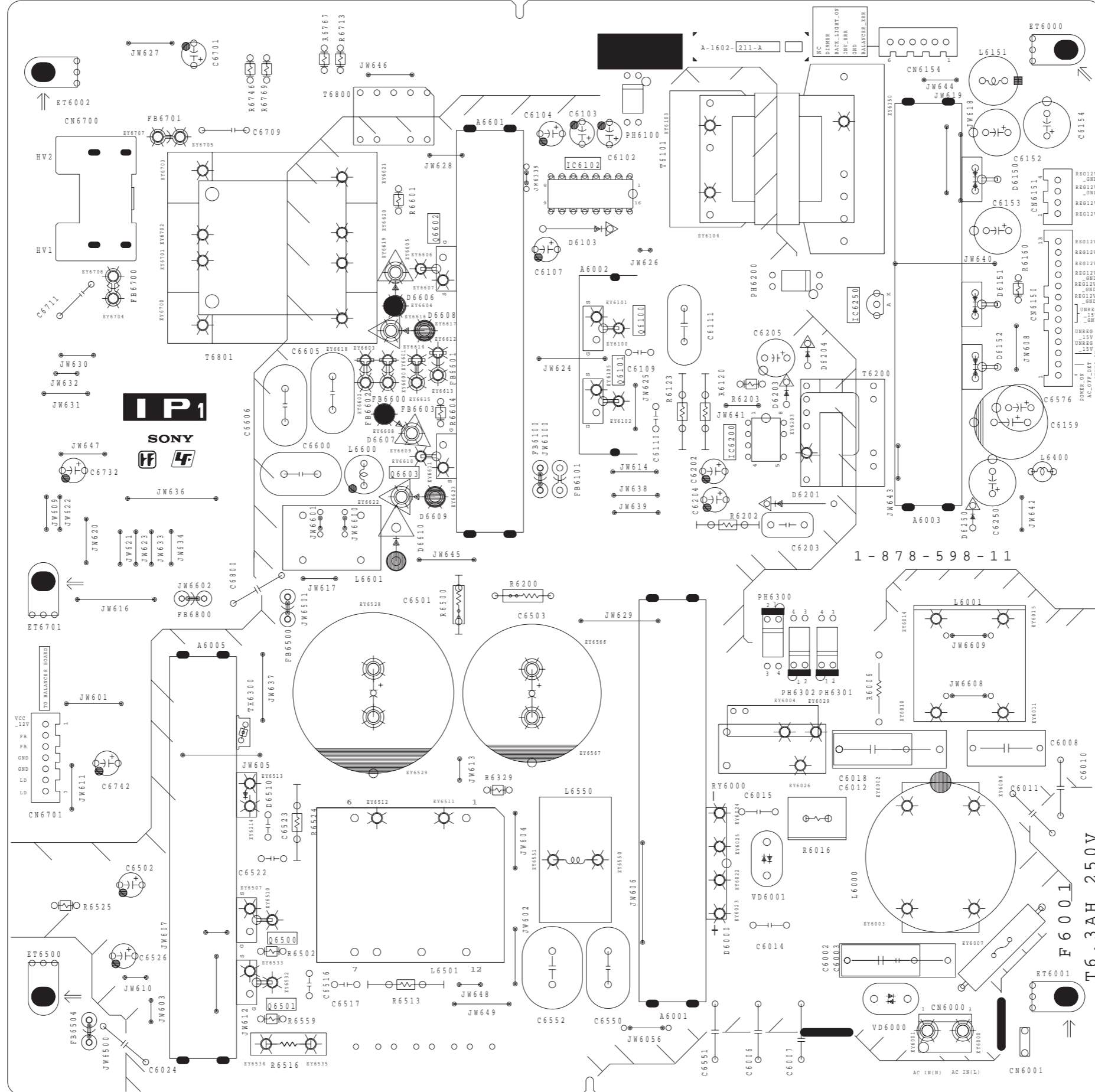
~ D6 Printed Wiring Board Side B ~



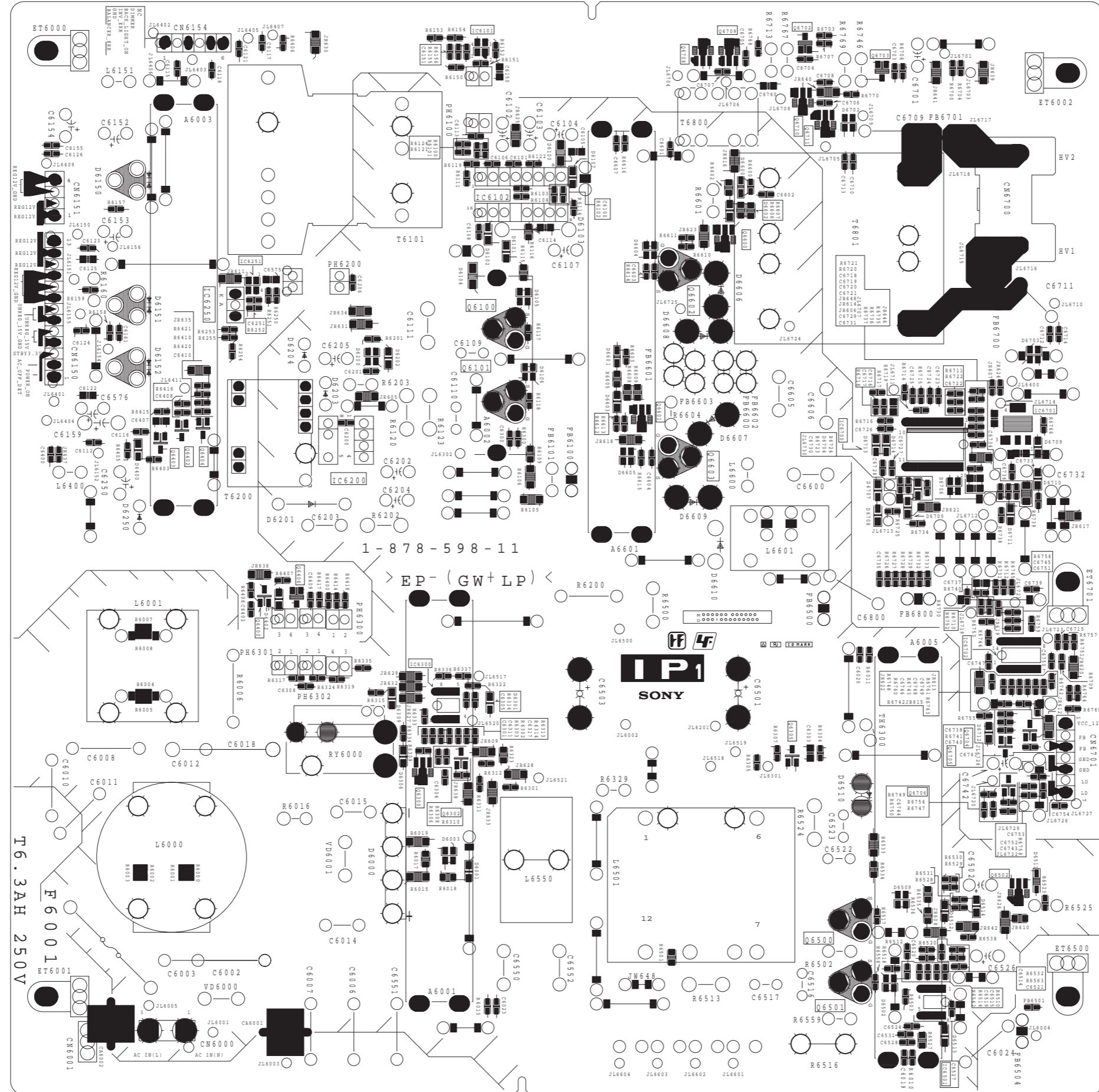
~ HSN Printed Wiring Board Side B ~



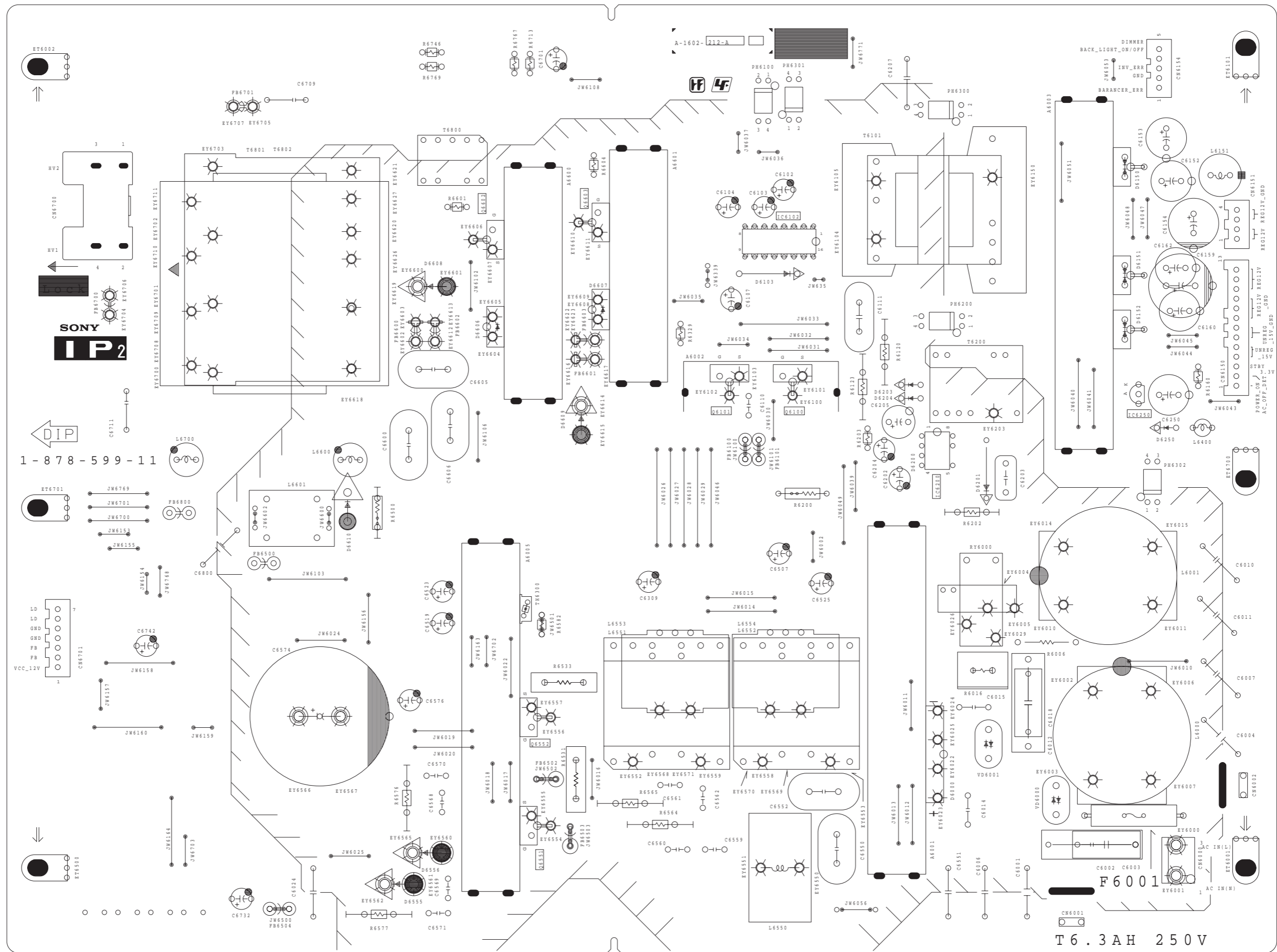
~ IP1 Printed Wiring Board Side A ~



~ IP1 Printed Wiring Board Side B ~



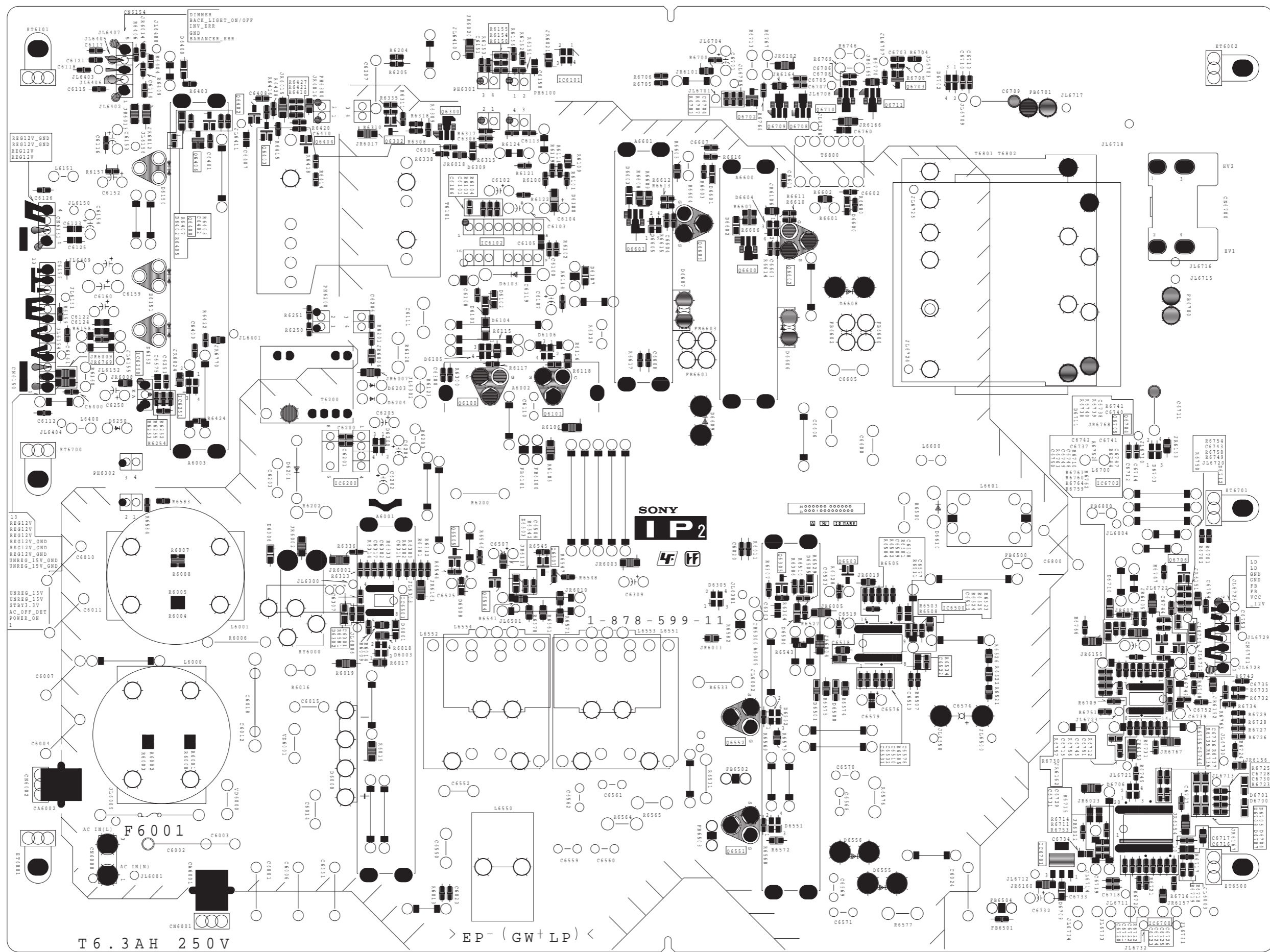
~ IP2 Printed Wiring Board Side A ~



F 6001  
T 6.3 AH 250V

~ IP2 Printed Wiring Board Side B ~

1  
2  
3  
4  
5  
6  
7  
8  
9  
10  
11





## SECTION 5 EXPLODED VIEWS

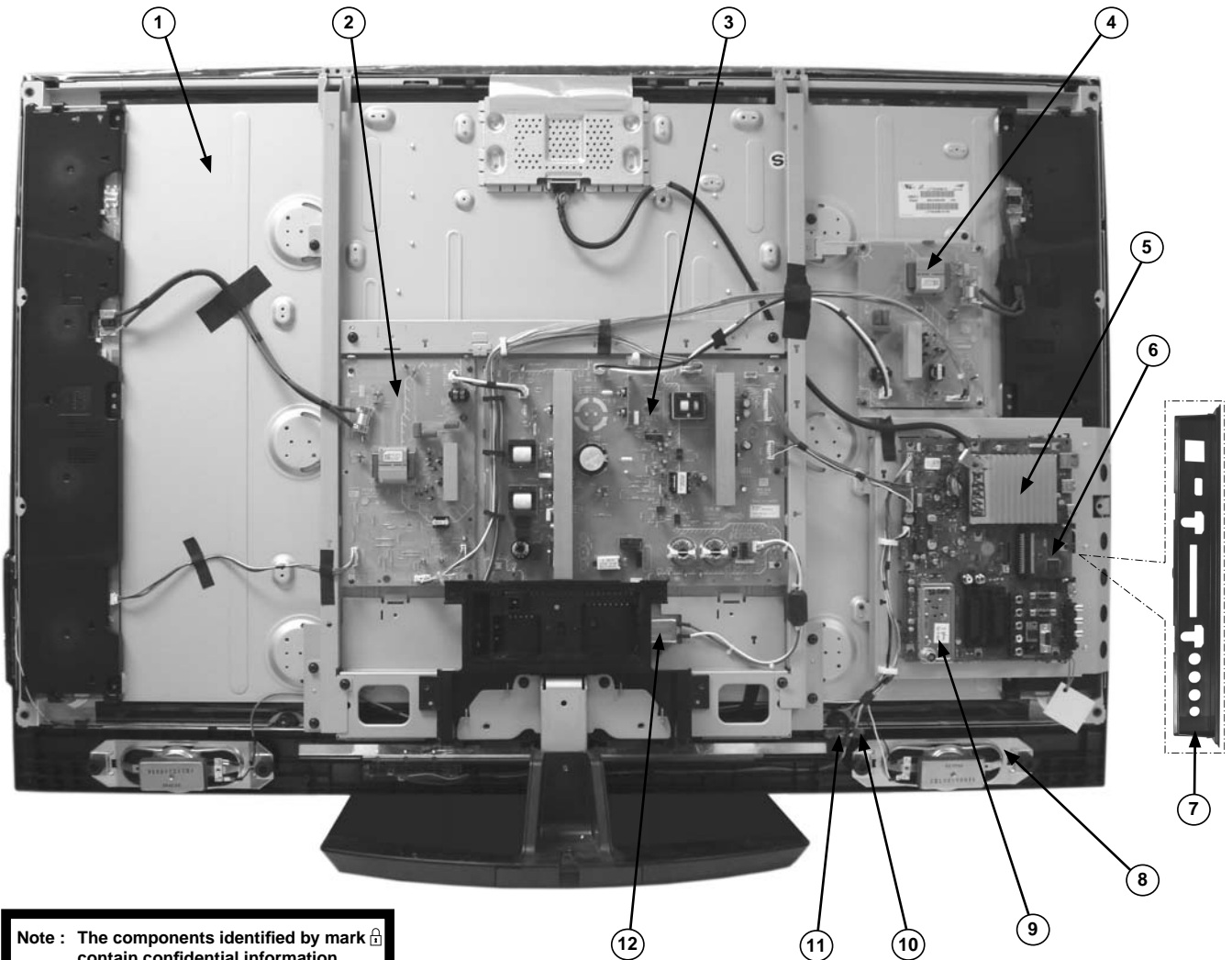
**NOTE :**

- Non-serviceable items with no part number and no description are not stocked because they are not required for routine service.
- The construction parts of an assembled part are indicated with a collation number in the remarks column.
- Items marked “\*” are not stocked since they are seldom required for routine service. Some delay should be anticipated when ordering these items.

**Note :** Les composants identifiés par une trame et par une marque Δ sont d'une importance critique pour la securite. Ne les remplacer que par des pieces du numero specifie.

**Note :** The components identified by shading and marked Δ are critical for safety. Replace only with the part numbers specified in the parts list.

### 5-1. CHASSIS

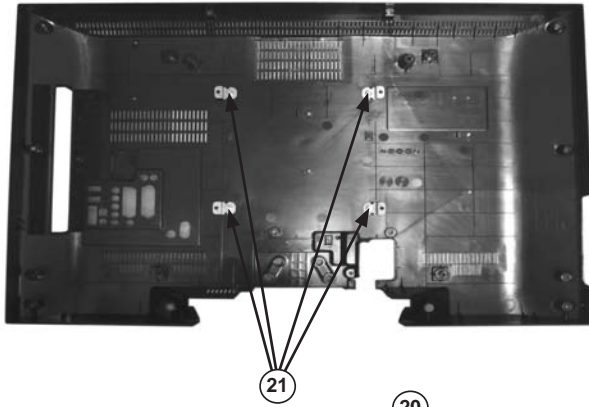


**Note :** The components identified by mark Δ contain confidential information. Strictly follow the instructions when ever the components are repaired and/or replaced.

REF.NO.	PART.NO	DESCRIPTION	REMARK	REF.NO.	PART.NO	DESCRIPTION	REMARK
1	Δ 1-802-801-11	LCD PANEL (32 INCH FHD TFT)	32 inches	6	*4-136-306-01	CARD, DUMMY	
	Δ 1-802-884-11	LCD PANEL (37 INCH FHD TFT)	37 inches	7	4-132-225-01	BRACKET, SIDE JACK (STD)	
	Δ 1-802-799-22	LCD PANEL (40 INCH FHD TFT)	40 inches	8	1-858-184-11	LOUDSPEAKER (4.2X15.5)	32 inches
	Δ 1-802-798-11	LCD PANEL (46 INCH FHD TFT)	46 inches		1-858-169-11	LOUDSPEAKER (4.5X15.5)	37/40 inches
	Δ 1-802-651-15	LCD PANEL (52 INCH FHD TFT)	52 inches		1-858-170-11	LOUDSPEAKER (4.5X20 VA)	46 inches
2	A-1663-196-A	D5 BOARD, COMPLETE	52 inches		1-858-183-11	LOUDSPEAKER (5.5X15.5)	52 inches
3	1-474-153-11	POWER UNIT (G2)	32 inches	9	8-597-700-00	TUNER UNIT, DIGITAL BTD-HF422T	
	1-474-162-11	POWER UNIT (G4)	37 inches	10	4-123-498-01	GUIDE, IR (C)	
	A-1660-720-A	IP1 BOARD, COMPLETE	40 inches	11	A-1671-630-A	HSN BOARD, COMPLETE	
	A-1660-728-A	IP2 BOARD, COMPLETE	46 inches	12	Δ 1-822-617-11	AC INLET FILTER	40/46 inches
	1-487-340-11	POWER UNIT (G5)	52 inches		Δ 1-822-622-11	AC INLET FILTER	52 inches
4	A-1663-200-A	D6 BOARD, COMPLETE	52 inches				
5	Δ A-1702-982-A	BA BOARD, COMPLETE					

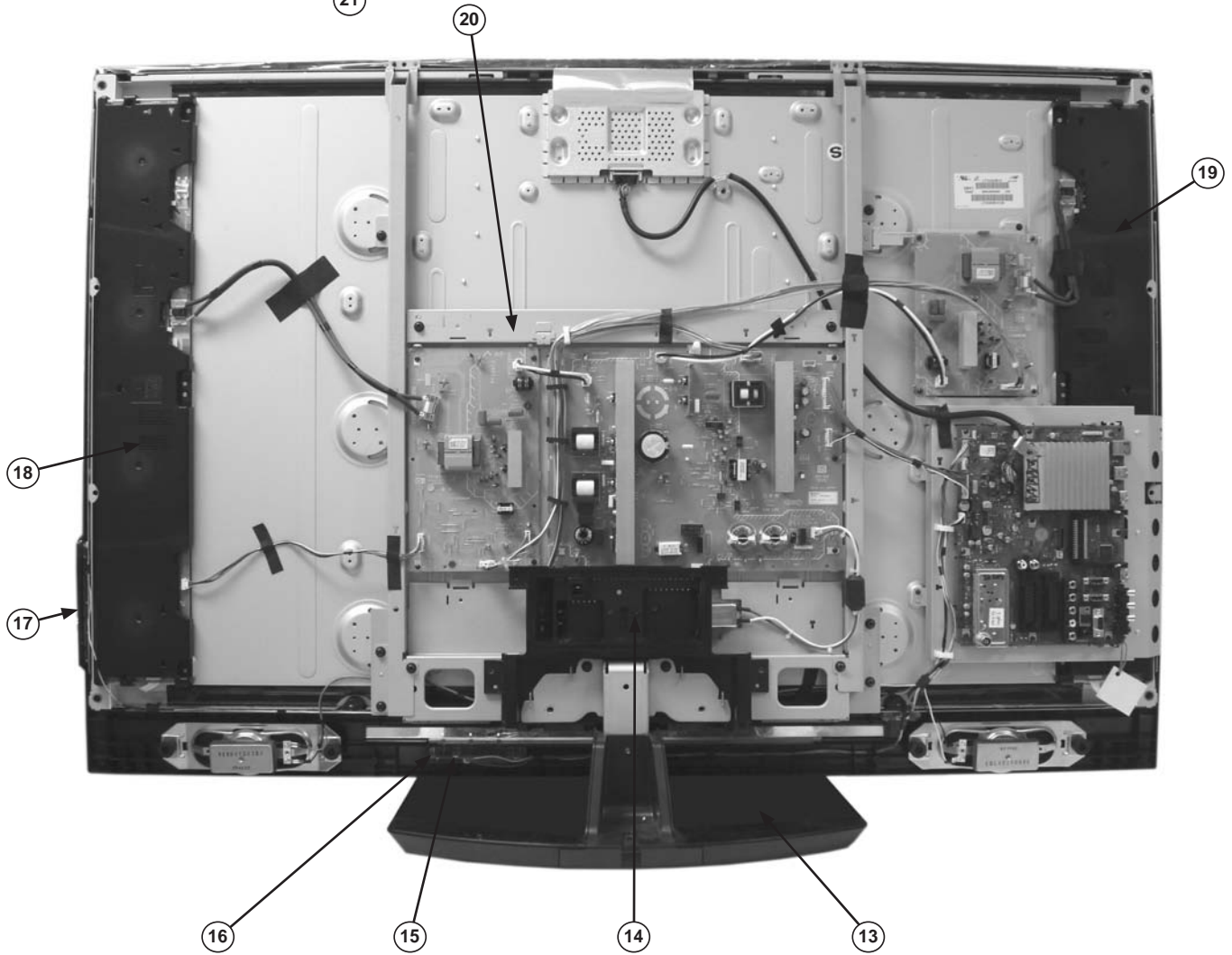
Ver 4.0

# 5-1. CHASSIS Cont.



**Note :** Les composants identifiés par une trame et par une marque  $\Delta$  sont d'une importance critique pour la sécurité. Ne les remplacer que par des pièces du numéro spécifique.

**Note :** The components identified by shading and marked  $\Delta$  are critical for safety. Replace only with the part numbers specified in the parts list.



REF.NO.	PART.NO	DESCRIPTION	REMARK	REF.NO.	PART.NO	DESCRIPTION	REMARK
13	X-2345-861-1	STAND ASSY (M2)	32 inches	18	1-857-267-11	ETC-INVERTER MT BOARD	32 inches
	X-2345-864-1	STAND ASSY (ML2)	37/40 inches	<b>Ver 2.0</b>	1-857-395-11	ETC-INVERTER MT BOARD	37 inches
	X-2345-868-1	STAND ASSY (L2A)	46 inches		1-857-249-11	ETC-INVERTER MT BOARD	40 inches
	X-2345-870-1	STAND ASSY (LL2A)	52 inches		1-857-269-11	ETC-INVERTER MT BOARD	46 inches
14	4-123-485-01	COVER, UNDER (S)	32 inches		1-857-048-11	ETC-INVERTER MT BOARD (LU)	52 inches
	4-136-502-21	COVER, UNDER (M)	37 inches		1-857-049-11	ETC-INVERTER MT BOARD (LL)	52 inches
	4-123-484-01	COVER, UNDER (M)	40/46 inches	19	1-857-050-11	ETC-INVERTER MT BOARD (RU)	52 inches
	4-123-483-01	COVER, UNDER (L)	52 inches		1-857-051-11	ETC-INVERTER MT BOARD (RL)	52 inches
15	A-1671-628-A	HLIA BOARD, COMPLETE		20	4-129-446-01	FRAME, VESA (TOP)	52 inches
16	4-123-497-01	GUIDE, LED (C)		21	4-122-585-01	FRAME, VESA (M6)	
17	1-487-233-11	SWITCH UNIT					

## 5-2. BEZEL

**Note :** Les composants identifiés par une trame et par une marque  $\Delta$  sont d'une importance critique pour la sécurité. Ne les remplacer que par des pièces du numéro spécifié.

**Note :** The components identified by shading and marked  $\Delta$  are critical for safety. Replace only with the part numbers specified in the parts list.

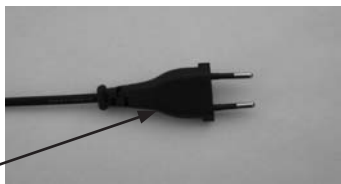
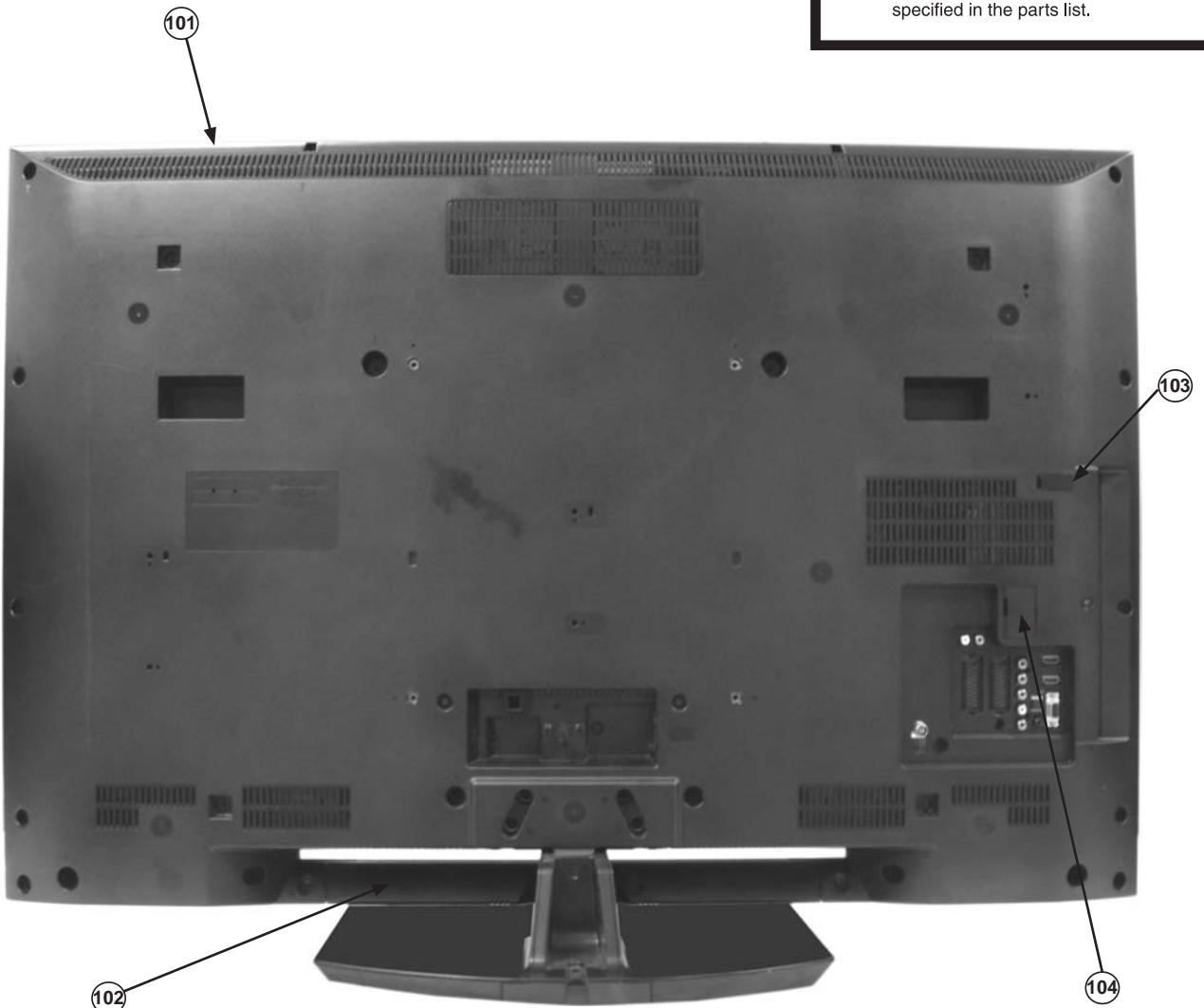


REF.NO.	PART.NO	DESCRIPTION	REMARK	REF.NO.	PART.NO	DESCRIPTION	REMARK
51	X-2345-891-1	BEZEL ASSY (32C)	32 inches				
	X-2345-897-1	BEZEL ASSY (37C)	37 inches				
	X-2345-894-1	BEZEL ASSY (40C)	40 inches				
	X-2345-919-1	BEZEL ASSY (46C)	46 inches				
	X-2345-910-1	BEZEL ASSY (52C)	52 inches				

### 5-3. REAR COVER & POWER SUPPLY CORDS

**Note :** Les composants identifiés par une trame et par une marque  $\Delta$  sont d'une importance critique pour la sécurité. Ne les remplacer que par des pièces du numéro spécifié.

**Note :** The components identified by shading and marked  $\Delta$  are critical for safety. Replace only with the part numbers specified in the parts list.



REF.NO.	PART.NO	DESCRIPTION	REMARK
101	X-2345-889-1	REAR COVER ASSY (32C)	32 inches
	X-2345-899-1	REAR COVER ASSY (37C)	37 inches
	X-2345-887-1	REAR COVER ASSY (40)	40 inches
	X-2345-918-1	REAR COVER ASSY (46)	46 inches
	X-2345-909-1	REAR COVER ASSY (52C)	52 inches
102	4-123-488-01	BAR, UNDER (S)	32/37/40 inches
	4-123-487-01	BAR, UNDER (M)	46 inches
	4-123-486-01	BAR, UNDER (L)	52 inches

REF.NO.	PART.NO	DESCRIPTION	REMARK
103	Ver 3.0 4-122-617-01	COVER, ECS(S)	(TL Jig)
104	3-106-546-31	COVER, ECS	(Mem Stick)
105	$\Delta$ 1-832-132-31	POWER-SUPPLY CORD (AEP)	32/37 inches
	$\Delta$ 1-835-200-11	POWER-SUPPLY CORD (AEP)	40/46/52 inches
106	$\Delta$ 1-832-170-41	POWER-SUPPLY CORD (UK)	32/37 inches
	$\Delta$ 1-835-165-11	POWER-SUPPLY CORD (UK)	40/46/52 inches


# SECTION 6 ELECTRICAL PARTS LIST

## PARTS LISTING TABLE OF CONTENTS


	<u>Page</u>
BA BOARD COMPLETE Parts List : .....	53
HL1A BOARD COMPLETE Parts List : .....	68
HSN BOARD COMPLETE Parts List : .....	68
ACCESSORIES AND CONNECTORS : .....	69
REMOTE COMMANDER : .....	69

**Note:** To ensure safety and reliability it is Sony policy that power supply boards should not be repaired at component level in the field as a result... The D5, D6, G2, G4, G5, IP1 and IP2 boards are regarded as non service items for exchange only and are not indicated in the parts list of this service manual.

**Note :** Items marked “\*” are not stocked since they are seldom required for routine service. Some delay should be anticipated when ordering these items.

Note : The components identified by mark  contain confidential information. Strictly follow the instructions when ever the components are repaired and/or replaced.



REF.NO.	PART.NO	DESCRIPTION	REMARK	REF.NO.	PART.NO	DESCRIPTION	REMARK
 A-1702-982-A BA Board, Complete				C2014	1-112-777-11	CERAMIC CHIP 0.01UF	10% 25V
< CAPACITOR >				C2015	1-112-777-11	CERAMIC CHIP 0.01UF	10% 25V
C1001	1-164-874-11	CERAMIC CHIP 100PF	5.00% 50V	C2016	1-112-777-11	CERAMIC CHIP 0.01UF	10% 25V
C1002	1-112-781-11	CERAMIC CHIP 1UF	10% 10V	C2017	1-112-777-11	CERAMIC CHIP 0.01UF	10% 25V
C1003	1-114-325-11	CERAMIC CHIP 0.1UF	10% 25V	C2018	1-112-777-11	CERAMIC CHIP 0.01UF	10% 25V
C1004	1-114-325-11	CERAMIC CHIP 0.1UF	10% 25V	C2019	1-112-777-11	CERAMIC CHIP 0.01UF	10% 25V
C1006	1-114-331-11	CERAMIC CHIP 4.7UF	10% 10V	C2020	1-112-777-11	CERAMIC CHIP 0.01UF	10% 25V
C1007	1-114-553-11	CERAMIC CHIP 10UF	10% 16V	C2021	1-112-777-11	CERAMIC CHIP 0.01UF	10% 25V
C1008	1-114-553-11	CERAMIC CHIP 10UF	10% 16V	C2022	1-112-777-11	CERAMIC CHIP 0.01UF	10% 25V
C1010	1-165-872-21	ELECT CHIP 47UF	20% 6.3V	C2023	1-112-777-11	CERAMIC CHIP 0.01UF	10% 25V
C1011	1-114-532-21	ELECT CHIP 330UF	20% 4V	C2024	1-112-777-11	CERAMIC CHIP 0.01UF	10% 25V
C1012	1-100-909-11	CERAMIC CHIP 10UF	10% 6.3V	C2025	1-112-777-11	CERAMIC CHIP 0.01UF	10% 25V
C1013	1-114-332-11	CERAMIC CHIP 22UF	10% 6.3V	C2026	1-112-777-11	CERAMIC CHIP 0.01UF	10% 25V
C1014	1-100-909-11	CERAMIC CHIP 10UF	10% 6.3V	C2027	1-112-777-11	CERAMIC CHIP 0.01UF	10% 25V
C1015	1-112-781-11	CERAMIC CHIP 1UF	10% 10V	C2028	1-112-777-11	CERAMIC CHIP 0.01UF	10% 25V
C1017	1-112-781-11	CERAMIC CHIP 1UF	10% 10V	C2029	1-112-777-11	CERAMIC CHIP 0.01UF	10% 25V
C1018	1-112-781-11	CERAMIC CHIP 1UF	10% 10V	C2030	1-112-777-11	CERAMIC CHIP 0.01UF	10% 25V
C1019	1-100-916-11	CERAMIC CHIP 0.1UF	10% 16V	C2031	1-112-777-11	CERAMIC CHIP 0.01UF	10% 25V
C1020	1-112-064-11	CERAMIC CHIP 2.2UF	10% 10V	C2033	1-112-777-11	CERAMIC CHIP 0.01UF	10% 25V
C1021	1-100-916-11	CERAMIC CHIP 0.1UF	10% 16V	C2034	1-100-916-11	CERAMIC CHIP 0.1UF	10% 16V
C1022	1-112-064-11	CERAMIC CHIP 2.2UF	10% 10V	C2035	1-100-916-11	CERAMIC CHIP 0.1UF	10% 16V
C1024	1-112-781-11	CERAMIC CHIP 1UF	10% 10V	C2036	1-100-916-11	CERAMIC CHIP 0.1UF	10% 16V
C1303	1-112-777-11	CERAMIC CHIP 0.01UF	10% 25V	C2037	1-100-916-11	CERAMIC CHIP 0.1UF	10% 16V
C1304	1-114-353-11	CAP, CERAMIC 0.01MF X7R (1410)		C2500	1-100-916-11	CERAMIC CHIP 0.1UF	10% 16V
C1306	1-112-777-11	CERAMIC CHIP 0.01UF	10% 25V	C2501	1-100-909-11	CERAMIC CHIP 10UF	10% 6.3V
C1321	1-112-777-11	CERAMIC CHIP 0.01UF	10% 25V	C2502	1-100-916-11	CERAMIC CHIP 0.1UF	10% 16V
C1322	1-114-331-11	CERAMIC CHIP 4.7UF	10% 10V	C2503	1-100-916-11	CERAMIC CHIP 0.1UF	10% 16V
C1324	1-112-777-11	CERAMIC CHIP 0.01UF	10% 25V	C2505	1-100-916-11	CERAMIC CHIP 0.1UF	10% 16V
C1328	1-112-777-11	CERAMIC CHIP 0.01UF	10% 25V	C2506	1-114-399-21	ELECT CHIP 47UF	20% 6.3V
C1355	1-100-916-11	CERAMIC CHIP 0.1UF	10% 16V	C3000	1-112-777-11	CERAMIC CHIP 0.01UF	10% 25V
C1357	1-100-912-11	CERAMIC CHIP 1UF	10% 25V	C3001	1-100-905-11	CERAMIC CHIP 0.001UF	10% 50V
C1374	1-100-912-11	CERAMIC CHIP 1UF	10% 25V	C3002	1-100-905-11	CERAMIC CHIP 0.001UF	10% 50V
C1380	1-100-916-11	CERAMIC CHIP 0.1UF	10% 16V	C3003	1-112-064-11	CERAMIC CHIP 2.2UF	10% 10V
C1381	1-112-776-11	CERAMIC CHIP 0.0047UF	10% 50V	C3004	1-100-905-11	CERAMIC CHIP 0.001UF	10% 50V
C1382	1-112-068-11	CERAMIC CHIP 220PF	10% 50V	C3005	1-100-905-11	CERAMIC CHIP 0.001UF	10% 50V
C1384	1-114-553-11	CERAMIC CHIP 10UF	10% 16V	C3006	1-100-905-11	CERAMIC CHIP 0.001UF	10% 50V
C1385	1-114-325-11	CERAMIC CHIP 0.1UF	10% 25V	C3007	1-112-064-11	CERAMIC CHIP 2.2UF	10% 10V
C1386	1-114-553-11	CERAMIC CHIP 10UF	10% 16V	C3008	1-100-905-11	CERAMIC CHIP 0.001UF	10% 50V
C2000	1-164-846-11	CERAMIC CHIP 6PF	0.50PF 50V	C3009	1-100-905-11	CERAMIC CHIP 0.001UF	10% 50V
C2001	1-164-846-11	CERAMIC CHIP 6PF	0.50PF 50V	C3010	1-112-777-11	CERAMIC CHIP 0.01UF	10% 25V
C2007	1-100-909-11	CERAMIC CHIP 10UF	10% 6.3V	C3011	1-100-905-11	CERAMIC CHIP 0.001UF	10% 50V
C2008	1-100-909-11	CERAMIC CHIP 10UF	10% 6.3V	C3012	1-100-905-11	CERAMIC CHIP 0.001UF	10% 50V
C2009	1-112-777-11	CERAMIC CHIP 0.01UF	10% 25V	C3013	1-100-905-11	CERAMIC CHIP 0.001UF	10% 50V
C2010	1-112-777-11	CERAMIC CHIP 0.01UF	10% 25V	C3014	1-100-905-11	CERAMIC CHIP 0.001UF	10% 50V
C2011	1-112-777-11	CERAMIC CHIP 0.01UF	10% 25V	C3015	1-112-781-11	CERAMIC CHIP 1UF	10% 10V
C2012	1-112-777-11	CERAMIC CHIP 0.01UF	10% 25V	C3016	1-112-777-11	CERAMIC CHIP 0.01UF	10% 25V
C2013	1-112-777-11	CERAMIC CHIP 0.01UF	10% 25V	C3017	1-100-905-11	CERAMIC CHIP 0.001UF	10% 50V
				C3018	1-100-916-11	CERAMIC CHIP 0.1UF	10% 16V
				C3019	1-100-916-11	CERAMIC CHIP 0.1UF	10% 16V
				C3020	1-100-909-11	CERAMIC CHIP 10UF	10% 6.3V

REF.NO.	PART.NO	DESCRIPTION	REMARK	REF.NO.	PART.NO	DESCRIPTION	REMARK
C3021	1-100-909-11	CERAMIC CHIP 10UF	10% 6.3V	C3082	1-100-905-11	CERAMIC CHIP 0.001UF	10% 50V
C3022	1-112-779-11	CERAMIC CHIP 0.047UF	10% 25V	C3083	1-100-905-11	CERAMIC CHIP 0.001UF	10% 50V
C3023	1-114-870-11	CERAMIC CHIP 4.7UF	10% 16V	C3084	1-100-905-11	CERAMIC CHIP 0.001UF	10% 50V
C3025	1-114-870-11	CERAMIC CHIP 4.7UF	10% 16V	C3085	1-100-909-11	CERAMIC CHIP 10UF	10% 6.3V
C3026	1-114-331-11	CERAMIC CHIP 4.7UF	10% 10V	C3086	1-100-909-11	CERAMIC CHIP 10UF	10% 6.3V
C3027	1-114-325-11	CERAMIC CHIP 0.1UF	10% 25V	C3087	1-100-909-11	CERAMIC CHIP 10UF	10% 6.3V
C3028	1-114-532-21	ELECT CHIP 330UF	20% 4V	C3088	1-100-916-11	CERAMIC CHIP 0.1UF	10% 16V
C3030	1-100-916-11	CERAMIC CHIP 0.1UF	10% 16V	C3089	1-100-905-11	CERAMIC CHIP 0.001UF	10% 50V
C3031	1-100-916-11	CERAMIC CHIP 0.1UF	10% 16V	C3501	1-100-909-11	CERAMIC CHIP 10UF	10% 6.3V
C3032	1-112-777-11	CERAMIC CHIP 0.01UF	10% 25V	C3502	1-100-909-11	CERAMIC CHIP 10UF	10% 6.3V
C3033	1-112-777-11	CERAMIC CHIP 0.01UF	10% 25V	C3503	1-100-916-11	CERAMIC CHIP 0.1UF	10% 16V
C3034	1-112-777-11	CERAMIC CHIP 0.01UF	10% 25V	C3505	1-100-909-11	CERAMIC CHIP 10UF	10% 6.3V
C3035	1-112-777-11	CERAMIC CHIP 0.01UF	10% 25V	C3506	1-100-916-11	CERAMIC CHIP 0.1UF	10% 16V
C3036	1-112-777-11	CERAMIC CHIP 0.01UF	10% 25V	C3507	1-100-916-11	CERAMIC CHIP 0.1UF	10% 16V
C3037	1-112-777-11	CERAMIC CHIP 0.01UF	10% 25V	C3508	1-100-916-11	CERAMIC CHIP 0.1UF	10% 16V
C3038	1-112-777-11	CERAMIC CHIP 0.01UF	10% 25V	C3509	1-100-916-11	CERAMIC CHIP 0.1UF	10% 16V
C3039	1-112-777-11	CERAMIC CHIP 0.01UF	10% 25V	C3510	1-100-916-11	CERAMIC CHIP 0.1UF	10% 16V
C3040	1-112-777-11	CERAMIC CHIP 0.01UF	10% 25V	C3511	1-100-916-11	CERAMIC CHIP 0.1UF	10% 16V
C3041	1-112-777-11	CERAMIC CHIP 0.01UF	10% 25V	C3512	1-164-874-11	CERAMIC CHIP 100PF	5.00% 50V
C3042	1-112-777-11	CERAMIC CHIP 0.01UF	10% 25V	C3513	1-100-916-11	CERAMIC CHIP 0.1UF	10% 16V
C3043	1-112-777-11	CERAMIC CHIP 0.01UF	10% 25V	C3514	1-100-909-11	CERAMIC CHIP 10UF	10% 6.3V
C3044	1-112-777-11	CERAMIC CHIP 0.01UF	10% 25V	C3515	1-100-916-11	CERAMIC CHIP 0.1UF	10% 16V
C3045	1-112-777-11	CERAMIC CHIP 0.01UF	10% 25V	C3516	1-114-400-21	ELECT CHIP 100UF	20% 6.3V
C3046	1-112-777-11	CERAMIC CHIP 0.01UF	10% 25V	C3517	1-112-777-11	CERAMIC CHIP 0.01UF	10% 25V
C3047	1-112-777-11	CERAMIC CHIP 0.01UF	10% 25V	C3518	1-112-777-11	CERAMIC CHIP 0.01UF	10% 25V
C3048	1-112-777-11	CERAMIC CHIP 0.01UF	10% 25V	C3519	1-100-905-11	CERAMIC CHIP 0.001UF	10% 50V
C3049	1-112-777-11	CERAMIC CHIP 0.01UF	10% 25V	C3520	1-100-916-11	CERAMIC CHIP 0.1UF	10% 16V
C3050	1-112-777-11	CERAMIC CHIP 0.01UF	10% 25V	C3523	1-100-905-11	CERAMIC CHIP 0.001UF	10% 50V
C3051	1-112-777-11	CERAMIC CHIP 0.01UF	10% 25V	C3524	1-100-767-21	ELECT CHIP 220UF	20% 16V
C3052	1-112-777-11	CERAMIC CHIP 0.01UF	10% 25V	C3525	1-100-916-11	CERAMIC CHIP 0.1UF	10% 16V
C3053	1-112-777-11	CERAMIC CHIP 0.01UF	10% 25V	C3526	1-100-909-11	CERAMIC CHIP 10UF	10% 6.3V
C3057	1-112-777-11	CERAMIC CHIP 0.01UF	10% 25V	C3527	1-100-909-11	CERAMIC CHIP 10UF	10% 6.3V
C3058	1-112-777-11	CERAMIC CHIP 0.01UF	10% 25V	C3801	1-100-916-11	CERAMIC CHIP 0.1UF	10% 16V
C3059	1-112-777-11	CERAMIC CHIP 0.01UF	10% 25V	C3806	1-100-916-11	CERAMIC CHIP 0.1UF	10% 16V
C3060	1-112-777-11	CERAMIC CHIP 0.01UF	10% 25V	C3807	1-100-916-11	CERAMIC CHIP 0.1UF	10% 16V
C3061	1-112-777-11	CERAMIC CHIP 0.01UF	10% 25V	C3808	1-100-916-11	CERAMIC CHIP 0.1UF	10% 16V
C3062	1-112-777-11	CERAMIC CHIP 0.01UF	10% 25V	C3809	1-100-916-11	CERAMIC CHIP 0.1UF	10% 16V
C3063	1-112-777-11	CERAMIC CHIP 0.01UF	10% 25V	C3810	1-100-916-11	CERAMIC CHIP 0.1UF	10% 16V
C3064	1-112-777-11	CERAMIC CHIP 0.01UF	10% 25V	C3811	1-100-916-11	CERAMIC CHIP 0.1UF	10% 16V
C3065	1-112-064-11	CERAMIC CHIP 2.2UF	10% 10V	C3812	1-100-916-11	CERAMIC CHIP 0.1UF	10% 16V
C3066	1-112-064-11	CERAMIC CHIP 2.2UF	10% 10V	C3813	1-100-905-11	CERAMIC CHIP 0.001UF	10% 50V
C3067	1-112-064-11	CERAMIC CHIP 2.2UF	10% 10V	C3814	1-114-331-11	CERAMIC CHIP 4.7UF	10% 10V
C3068	1-112-064-11	CERAMIC CHIP 2.2UF	10% 10V	C3815	1-100-916-11	CERAMIC CHIP 0.1UF	10% 16V
C3069	1-112-064-11	CERAMIC CHIP 2.2UF	10% 10V	C4000	1-100-916-11	CERAMIC CHIP 0.1UF	10% 16V
C3070	1-100-905-11	CERAMIC CHIP 0.001UF	10% 50V	C4001	1-100-916-11	CERAMIC CHIP 0.1UF	10% 16V
C3077	1-100-904-11	CERAMIC CHIP 330PF	10% 50V	C4003	1-164-850-11	CERAMIC CHIP 10PF	0.50PF 50V
C3078	1-100-905-11	CERAMIC CHIP 0.001UF	10% 50V	C4006	1-100-916-11	CERAMIC CHIP 0.1UF	10% 16V
C3079	1-100-916-11	CERAMIC CHIP 0.1UF	10% 16V	C4007	1-112-777-11	CERAMIC CHIP 0.01UF	10% 25V
C3080	1-100-916-11	CERAMIC CHIP 0.1UF	10% 16V	C4008	1-100-916-11	CERAMIC CHIP 0.1UF	10% 16V
C3081	1-100-916-11	CERAMIC CHIP 0.1UF	10% 16V	C4009	1-112-777-11	CERAMIC CHIP 0.01UF	10% 25V

REF.NO.	PART.NO	DESCRIPTION	REMARK	REF.NO.	PART.NO	DESCRIPTION	REMARK
C4010	1-100-916-11	CERAMIC CHIP 0.1UF	10% 16V	C4417	1-112-779-11	CERAMIC CHIP 0.047UF	10% 25V
C4011	1-112-777-11	CERAMIC CHIP 0.01UF	10% 25V	C4419	1-100-916-11	CERAMIC CHIP 0.1UF	10% 16V
C4012	1-100-916-11	CERAMIC CHIP 0.1UF	10% 16V	C4420	1-100-916-11	CERAMIC CHIP 0.1UF	10% 16V
C4013	1-100-916-11	CERAMIC CHIP 0.1UF	10% 16V	C4421	1-100-916-11	CERAMIC CHIP 0.1UF	10% 16V
C4014	1-100-916-11	CERAMIC CHIP 0.1UF	10% 16V	C4423	1-112-777-11	CERAMIC CHIP 0.01UF	10% 25V
C4015	1-100-916-11	CERAMIC CHIP 0.1UF	10% 16V	C4424	1-112-777-11	CERAMIC CHIP 0.01UF	10% 25V
C4016	1-112-779-11	CERAMIC CHIP 0.047UF	10% 25V	C4425	1-112-777-11	CERAMIC CHIP 0.01UF	10% 25V
C4017	1-164-874-11	CERAMIC CHIP 100PF	5.00% 50V	C4427	1-112-777-11	CERAMIC CHIP 0.01UF	10% 25V
C4018	1-164-878-11	CERAMIC CHIP 150PF	5% 50V	C4428	1-112-777-11	CERAMIC CHIP 0.01UF	10% 25V
C4019	1-100-916-11	CERAMIC CHIP 0.1UF	10% 16V	C4429	1-112-777-11	CERAMIC CHIP 0.01UF	10% 25V
C4020	1-100-916-11	CERAMIC CHIP 0.1UF	10% 16V	C4430	1-112-777-11	CERAMIC CHIP 0.01UF	10% 25V
C4021	1-100-916-11	CERAMIC CHIP 0.1UF	10% 16V	C4431	1-112-777-11	CERAMIC CHIP 0.01UF	10% 25V
C4022	1-100-909-11	CERAMIC CHIP 10UF	10% 6.3V	C4432	1-112-777-11	CERAMIC CHIP 0.01UF	10% 25V
C4027	1-100-909-11	CERAMIC CHIP 10UF	10% 6.3V	C4433	1-112-777-11	CERAMIC CHIP 0.01UF	10% 25V
C4028	1-100-909-11	CERAMIC CHIP 10UF	10% 6.3V	C4434	1-112-777-11	CERAMIC CHIP 0.01UF	10% 25V
C4029	1-100-909-11	CERAMIC CHIP 10UF	10% 6.3V	C4502	1-100-916-11	CERAMIC CHIP 0.1UF	10% 16V
C4030	1-100-909-11	CERAMIC CHIP 10UF	10% 6.3V	C4503	1-100-916-11	CERAMIC CHIP 0.1UF	10% 16V
C4031	1-100-909-11	CERAMIC CHIP 10UF	10% 6.3V	C4504	1-100-909-11	CERAMIC CHIP 10UF	10% 6.3V
C4032	1-100-909-11	CERAMIC CHIP 10UF	10% 6.3V	C4506	1-100-916-11	CERAMIC CHIP 0.1UF	10% 16V
C4033	1-100-909-11	CERAMIC CHIP 10UF	10% 6.3V	C4507	1-100-916-11	CERAMIC CHIP 0.1UF	10% 16V
C4034	1-100-909-11	CERAMIC CHIP 10UF	10% 6.3V	C4508	1-114-869-11	CERAMIC CHIP 2.2UF	10% 6.3V
C4035	1-100-909-11	CERAMIC CHIP 10UF	10% 6.3V	C4509	1-100-916-11	CERAMIC CHIP 0.1UF	10% 16V
C4036	1-100-909-11	CERAMIC CHIP 10UF	10% 6.3V	C4510	1-100-916-11	CERAMIC CHIP 0.1UF	10% 16V
C4037	1-100-909-11	CERAMIC CHIP 10UF	10% 6.3V	C4511	1-100-916-11	CERAMIC CHIP 0.1UF	10% 16V
C4038	1-100-909-11	CERAMIC CHIP 10UF	10% 6.3V	C4512	1-112-777-11	CERAMIC CHIP 0.01UF	10% 25V
C4039	1-100-909-11	CERAMIC CHIP 10UF	10% 6.3V	C4513	1-112-777-11	CERAMIC CHIP 0.01UF	10% 25V
C4056	1-114-354-11	CAP, CERAMIC 0.1MF X7R (1410)		C4514	1-112-777-11	CERAMIC CHIP 0.01UF	10% 25V
C4057	1-100-916-11	CERAMIC CHIP 0.1UF	10% 16V	C4515	1-112-777-11	CERAMIC CHIP 0.01UF	10% 25V
C4058	1-100-916-11	CERAMIC CHIP 0.1UF	10% 16V	C4516	1-100-916-11	CERAMIC CHIP 0.1UF	10% 16V
C4200	1-112-781-11	CERAMIC CHIP 1UF	10% 10V	C4517	1-100-916-11	CERAMIC CHIP 0.1UF	10% 16V
C4201	1-112-781-11	CERAMIC CHIP 1UF	10% 10V	C5004	1-100-916-11	CERAMIC CHIP 0.1UF	10% 16V
C4202	1-112-781-11	CERAMIC CHIP 1UF	10% 10V	C5005	1-100-916-11	CERAMIC CHIP 0.1UF	10% 16V
C4205	1-112-781-11	CERAMIC CHIP 1UF	10% 10V	C5006	1-100-916-11	CERAMIC CHIP 0.1UF	10% 16V
C4209	1-112-781-11	CERAMIC CHIP 1UF	10% 10V	C5007	1-100-916-11	CERAMIC CHIP 0.1UF	10% 16V
C4210	1-112-781-11	CERAMIC CHIP 1UF	10% 10V	C5009	1-100-916-11	CERAMIC CHIP 0.1UF	10% 16V
C4211	1-112-781-11	CERAMIC CHIP 1UF	10% 10V	C5010	1-100-916-11	CERAMIC CHIP 0.1UF	10% 16V
C4213	1-100-916-11	CERAMIC CHIP 0.1UF	10% 16V	C5011	1-100-916-11	CERAMIC CHIP 0.1UF	10% 16V
C4214	1-114-331-11	CERAMIC CHIP 4.7UF	10% 10V	C5012	1-100-916-11	CERAMIC CHIP 0.1UF	10% 16V
C4401	1-116-079-11	CERAMIC CHIP 10UF	10% 10V	C5027	1-100-916-11	CERAMIC CHIP 0.1UF	10% 16V
C4402	1-100-916-11	CERAMIC CHIP 0.1UF	10% 16V	C5500	1-100-905-11	CERAMIC CHIP 0.001UF	10% 50V
C4406	1-114-332-11	CERAMIC CHIP 22UF	10% 6.3V	C5501	1-100-905-11	CERAMIC CHIP 0.001UF	10% 50V
C4407	1-100-909-11	CERAMIC CHIP 10UF	10% 6.3V	C5505	1-112-781-11	CERAMIC CHIP 1UF	10% 10V
C4408	1-100-916-11	CERAMIC CHIP 0.1UF	10% 16V	C5506	1-100-916-11	CERAMIC CHIP 0.1UF	10% 16V
C4409	1-112-779-11	CERAMIC CHIP 0.047UF	10% 25V	C5507	1-114-813-11	CERAMIC CHIP 1UF	10% 16V
C4410	1-112-779-11	CERAMIC CHIP 0.047UF	10% 25V	C5509	1-100-916-11	CERAMIC CHIP 0.1UF	10% 16V
C4411	1-112-779-11	CERAMIC CHIP 0.047UF	10% 25V	C5510	1-100-916-11	CERAMIC CHIP 0.1UF	10% 16V
C4413	1-112-779-11	CERAMIC CHIP 0.047UF	10% 25V	C5511	1-100-916-11	CERAMIC CHIP 0.1UF	10% 16V
C4414	1-112-779-11	CERAMIC CHIP 0.047UF	10% 25V	C5512	1-100-916-11	CERAMIC CHIP 0.1UF	10% 16V
C4415	1-112-779-11	CERAMIC CHIP 0.047UF	10% 25V	C5514	1-100-916-11	CERAMIC CHIP 0.1UF	10% 16V
C4416	1-112-779-11	CERAMIC CHIP 0.047UF	10% 25V	C5516	1-100-916-11	CERAMIC CHIP 0.1UF	10% 16V



REF.NO.	PART.NO	DESCRIPTION	REMARK	REF.NO.	PART.NO	DESCRIPTION	REMARK
C5517	1-100-916-11	CERAMIC CHIP 0.1UF	10% 16V	C7038	1-100-916-11	CERAMIC CHIP 0.1UF	10% 16V
C5518	1-100-916-11	CERAMIC CHIP 0.1UF	10% 16V	C7039	1-114-354-11	CAP, CERAMIC 0.1MF X7R (1410)	
C5519	1-100-916-11	CERAMIC CHIP 0.1UF	10% 16V	C7040	1-100-916-11	CERAMIC CHIP 0.1UF	10% 16V
C5522	1-100-916-11	CERAMIC CHIP 0.1UF	10% 16V	C7041	1-112-777-11	CERAMIC CHIP 0.01UF	10% 25V
C5523	1-100-916-11	CERAMIC CHIP 0.1UF	10% 16V	C7042	1-164-850-11	CERAMIC CHIP 10PF	0.50PF 50V
C5525	1-100-916-11	CERAMIC CHIP 0.1UF	10% 16V	C7043	1-164-850-11	CERAMIC CHIP 10PF	0.50PF 50V
C5528	1-100-905-11	CERAMIC CHIP 0.001UF	10% 50V	C7202	1-112-777-11	CERAMIC CHIP 0.01UF	10% 25V
C5529	1-164-850-11	CERAMIC CHIP 10PF	0.50PF 50V	C7203	1-114-193-11	ELECT CHIP 470UF	20% 25V
C5530	1-164-852-11	CERAMIC CHIP 12PF	5.00% 50V	C7204	1-114-193-11	ELECT CHIP 470UF	20% 25V
C5531	1-100-916-11	CERAMIC CHIP 0.1UF	10% 16V	C7205	1-114-193-11	ELECT CHIP 470UF	20% 25V
C5533	1-100-916-11	CERAMIC CHIP 0.1UF	10% 16V	C7206	1-114-325-11	CERAMIC CHIP 0.1UF	10% 25V
C5535	1-112-777-11	CERAMIC CHIP 0.01UF	10% 25V	C7207	1-100-909-11	CERAMIC CHIP 10UF	10% 6.3V
C5536	1-114-130-11	CERAMIC CHIP 1UF	10% 6.3V	C7208	1-114-325-11	CERAMIC CHIP 0.1UF	10% 25V
C5540	1-112-777-11	CERAMIC CHIP 0.01UF	10% 25V	C7209	1-114-326-11	CERAMIC CHIP 0.22UF	10% 25V
C5542	1-164-874-11	CERAMIC CHIP 100PF	5.00% 50V	C7210	1-100-912-11	CERAMIC CHIP 1UF	10% 25V
C5543	1-100-909-11	CERAMIC CHIP 10UF	10% 6.3V	C7211	1-114-326-11	CERAMIC CHIP 0.22UF	10% 25V
C5544	1-112-777-11	CERAMIC CHIP 0.01UF	10% 25V	C7212	1-114-326-11	CERAMIC CHIP 0.22UF	10% 25V
C5546	1-100-916-11	CERAMIC CHIP 0.1UF	10% 16V	C7213	1-114-326-11	CERAMIC CHIP 0.22UF	10% 25V
C5548	1-100-916-11	CERAMIC CHIP 0.1UF	10% 16V	C7214	1-100-912-11	CERAMIC CHIP 1UF	10% 25V
C5550	1-100-905-11	CERAMIC CHIP 0.001UF	10% 50V	C7215	1-114-326-11	CERAMIC CHIP 0.22UF	10% 25V
C5551	1-100-905-11	CERAMIC CHIP 0.001UF	10% 50V	C7216	1-114-325-11	CERAMIC CHIP 0.1UF	10% 25V
C5552	1-112-781-11	CERAMIC CHIP 1UF	10% 10V	C7217	1-114-334-11	CERAMIC CHIP 10UF	10% 25V
C5553	1-112-781-11	CERAMIC CHIP 1UF	10% 10V	C7218	1-114-325-11	CERAMIC CHIP 0.1UF	10% 25V
C7001	1-100-916-11	CERAMIC CHIP 0.1UF	10% 16V	C7220	1-114-814-11	CERAMIC CHIP 0.33UF	10% 25V
C7007	1-100-916-11	CERAMIC CHIP 0.1UF	10% 16V	C7221	1-114-814-11	CERAMIC CHIP 0.33UF	10% 25V
C7008	1-131-956-21	ELECT CHIP 220UF	20% 4V	C7222	1-114-814-11	CERAMIC CHIP 0.33UF	10% 25V
C7009	1-114-354-11	CAP, CERAMIC 0.1MF X7R (1410)		C7223	1-114-814-11	CERAMIC CHIP 0.33UF	10% 25V
C7010	1-114-354-11	CAP, CERAMIC 0.1MF X7R (1410)		C7224	1-164-874-11	CERAMIC CHIP 100PF	5.00% 50V
C7011	1-114-331-11	CERAMIC CHIP 4.7UF	10% 10V	C7225	1-164-874-11	CERAMIC CHIP 100PF	5.00% 50V
C7012	1-100-916-11	CERAMIC CHIP 0.1UF	10% 16V	C7226	1-164-874-11	CERAMIC CHIP 100PF	5.00% 50V
C7013	1-131-956-21	ELECT CHIP 220UF	20% 4V	C7227	1-164-874-11	CERAMIC CHIP 100PF	5.00% 50V
C7014	1-114-331-11	CERAMIC CHIP 4.7UF	10% 10V	C7301	1-114-331-11	CERAMIC CHIP 4.7UF	10% 10V
C7016	1-100-916-11	CERAMIC CHIP 0.1UF	10% 16V	C7302	1-114-331-11	CERAMIC CHIP 4.7UF	10% 10V
C7017	1-114-130-11	CERAMIC CHIP 1UF	10% 6.3V	C7303	1-137-942-21	ELECT CHIP 47UF	20% 25V
C7018	1-114-130-11	CERAMIC CHIP 1UF	10% 6.3V	C7304	1-114-520-11	CAP, CERAMIC 1MF X6S (1410)	
C7020	1-114-354-11	CAP, CERAMIC 0.1MF X7R (1410)		C7305	1-112-776-11	CERAMIC CHIP 0.0047UF	10% 50V
C7021	1-100-916-11	CERAMIC CHIP 0.1UF	10% 16V	C7306	1-114-520-11	CAP, CERAMIC 1MF X6S (1410)	
C7023	1-100-916-11	CERAMIC CHIP 0.1UF	10% 16V	C7307	1-112-776-11	CERAMIC CHIP 0.0047UF	10% 50V
C7025	1-112-781-11	CERAMIC CHIP 1UF	10% 10V	C7308	1-114-325-11	CERAMIC CHIP 0.1UF	10% 25V
C7026	1-114-520-11	CAP, CERAMIC 1MF X6S (1410)		C7311	1-114-520-11	CAP, CERAMIC 1MF X6S (1410)	
C7027	1-100-916-11	CERAMIC CHIP 0.1UF	10% 16V	C7312	1-114-325-11	CERAMIC CHIP 0.1UF	10% 25V
C7029	1-114-354-11	CAP, CERAMIC 0.1MF X7R (1410)		C7313	1-114-331-11	CERAMIC CHIP 4.7UF	10% 10V
C7030	1-114-331-11	CERAMIC CHIP 4.7UF	10% 10V	C7314	1-100-916-11	CERAMIC CHIP 0.1UF	10% 16V
C7031	1-100-916-11	CERAMIC CHIP 0.1UF	10% 16V	C7315	1-114-325-11	CERAMIC CHIP 0.1UF	10% 25V
C7032	1-114-331-11	CERAMIC CHIP 4.7UF	10% 10V	C7316	1-114-331-11	CERAMIC CHIP 4.7UF	10% 10V
C7033	1-100-916-11	CERAMIC CHIP 0.1UF	10% 16V	C7318	1-114-325-11	CERAMIC CHIP 0.1UF	10% 25V
C7034	1-131-956-21	ELECT CHIP 220UF	20% 4V	C7319	1-114-334-11	CERAMIC CHIP 10UF	10% 25V
C7035	1-100-916-11	CERAMIC CHIP 0.1UF	10% 16V	C7320	1-100-916-11	CERAMIC CHIP 0.1UF	10% 16V
C7036	1-114-331-11	CERAMIC CHIP 4.7UF	10% 10V	C7321	1-114-331-11	CERAMIC CHIP 4.7UF	10% 10V
C7037	1-112-777-11	CERAMIC CHIP 0.01UF	10% 25V	C7322	1-116-079-11	CERAMIC CHIP 10UF	10% 10V

REF.NO.	PART.NO	DESCRIPTION	REMARK	REF.NO.	PART.NO	DESCRIPTION	REMARK
C7326	1-114-520-11	CAP, CERAMIC 1MF X6S (1410)		C7915	1-112-775-11	CERAMIC CHIP 0.0022UF	10% 50V
C7327	1-114-520-11	CAP, CERAMIC 1MF X6S (1410)		C7916	1-114-320-11	CERAMIC CHIP 0.22UF	10% 6.3V
C7328	1-112-781-11	CERAMIC CHIP 1UF	10% 10V	C7918	1-114-331-11	CERAMIC CHIP 4.7UF	10% 10V
C7329	1-112-781-11	CERAMIC CHIP 1UF	10% 10V	C7921	1-100-766-21	ELECT CHIP 47UF	20% 16V
C7330	1-114-334-11	CERAMIC CHIP 10UF	10% 25V	C7923	1-135-366-11	ELECT CHIP 100UF	20% 16V
C7331	1-100-766-21	ELECT CHIP 47UF	20% 16V	C7924	1-100-916-11	CERAMIC CHIP 0.1UF	10% 16V
C7332	1-100-766-21	ELECT CHIP 47UF	20% 16V	C7927	1-100-916-11	CERAMIC CHIP 0.1UF	10% 16V
C7335	1-112-781-11	CERAMIC CHIP 1UF	10% 10V	C7928	1-100-905-11	CERAMIC CHIP 0.001UF	10% 50V
C7336	1-112-781-11	CERAMIC CHIP 1UF	10% 10V	C7930	1-114-332-11	CERAMIC CHIP 22UF	10% 6.3V
C7337	1-112-781-11	CERAMIC CHIP 1UF	10% 10V	C7932	1-100-916-11	CERAMIC CHIP 0.1UF	10% 16V
C7338	1-112-781-11	CERAMIC CHIP 1UF	10% 10V	C7933	1-112-781-11	CERAMIC CHIP 1UF	10% 10V
C7341	1-112-781-11	CERAMIC CHIP 1UF	10% 10V	C7936	1-135-366-11	ELECT CHIP 100UF	20% 16V
C7342	1-112-781-11	CERAMIC CHIP 1UF	10% 10V	C7937	1-164-874-11	CERAMIC CHIP 100PF	5.00% 50V
C7343	1-112-781-11	CERAMIC CHIP 1UF	10% 10V	C7938	1-100-916-11	CERAMIC CHIP 0.1UF	10% 16V
C7344	1-112-781-11	CERAMIC CHIP 1UF	10% 10V	C7940	1-135-366-11	ELECT CHIP 100UF	20% 16V
C7345	1-112-781-11	CERAMIC CHIP 1UF	10% 10V	C7943	1-112-776-11	CERAMIC CHIP 0.0047UF	10% 50V
C7346	1-112-781-11	CERAMIC CHIP 1UF	10% 10V	C7944	1-100-916-11	CERAMIC CHIP 0.1UF	10% 16V
C7401	1-100-909-11	CERAMIC CHIP 10UF	10% 6.3V	C7945	1-100-916-11	CERAMIC CHIP 0.1UF	10% 16V
C7402	1-114-354-11	CAP, CERAMIC 0.1MF X7R (1410)		C7946	1-112-777-11	CERAMIC CHIP 0.01UF	10% 25V
C7403	1-100-909-11	CERAMIC CHIP 10UF	10% 6.3V	C7947	1-218-990-81	SHORT CHIP 0	
C7405	1-112-781-11	CERAMIC CHIP 1UF	10% 10V	C7955	1-112-781-11	CERAMIC CHIP 1UF	10% 10V
C7406	1-112-774-11	CERAMIC CHIP 470PF	10% 50V	C7956	1-114-331-11	CERAMIC CHIP 4.7UF	10% 10V
C7407	1-112-781-11	CERAMIC CHIP 1UF	10% 10V	C7957	1-164-874-11	CERAMIC CHIP 100PF	5.00% 50V
C7408	1-112-774-11	CERAMIC CHIP 470PF	10% 50V	C7961	1-100-912-11	CERAMIC CHIP 1UF	10% 25V
C7600	1-112-777-11	CERAMIC CHIP 0.01UF	10% 25V	C7962	1-100-916-11	CERAMIC CHIP 0.1UF	10% 16V
C7601	1-112-777-11	CERAMIC CHIP 0.01UF	10% 25V	C7963	1-112-064-11	CERAMIC CHIP 2.2UF	10% 10V
C7602	1-112-777-11	CERAMIC CHIP 0.01UF	10% 25V	C7964	1-100-912-11	CERAMIC CHIP 1UF	10% 25V
C7603	1-112-777-11	CERAMIC CHIP 0.01UF	10% 25V	C7965	1-100-912-11	CERAMIC CHIP 1UF	10% 25V
C7604	1-112-777-11	CERAMIC CHIP 0.01UF	10% 25V	C7966	1-114-817-11	CERAMIC CHIP 2.2UF	10% 50V
C7605	1-112-777-11	CERAMIC CHIP 0.01UF	10% 25V	C7970	1-114-868-11	CERAMIC CHIP 0.1UF	10% 50V
C7606	1-112-777-11	CERAMIC CHIP 0.01UF	10% 25V	C7976	1-135-366-11	ELECT CHIP 100UF	20% 16V
C7607	1-112-777-11	CERAMIC CHIP 0.01UF	10% 25V	C7977	1-135-366-11	ELECT CHIP 100UF	20% 16V
C7608	1-112-777-11	CERAMIC CHIP 0.01UF	10% 25V	C7978	1-112-777-11	CERAMIC CHIP 0.01UF	10% 25V
C7610	1-112-777-11	CERAMIC CHIP 0.01UF	10% 25V	C7979	1-112-777-11	CERAMIC CHIP 0.01UF	10% 25V
C7611	1-112-777-11	CERAMIC CHIP 0.01UF	10% 25V	C7982	1-112-781-11	CERAMIC CHIP 1UF	10% 10V
C7612	1-100-916-11	CERAMIC CHIP 0.1UF	10% 16V	C7983	1-100-916-11	CERAMIC CHIP 0.1UF	10% 16V
C7614	1-100-916-11	CERAMIC CHIP 0.1UF	10% 16V	C7984	1-112-781-11	CERAMIC CHIP 1UF	10% 10V
C7615	1-114-130-11	CERAMIC CHIP 1UF	10% 6.3V	C7985	1-100-916-11	CERAMIC CHIP 0.1UF	10% 16V
C7900	1-100-766-21	ELECT CHIP 47UF	20% 16V	C7986	1-164-872-11	CERAMIC CHIP 82PF	5.00% 50V
C7901	1-100-916-11	CERAMIC CHIP 0.1UF	10% 16V	C9602	1-100-916-11	CERAMIC CHIP 0.1UF	10% 16V
C7903	1-112-778-11	CERAMIC CHIP 0.022UF	10% 25V	C9608	1-112-781-11	CERAMIC CHIP 1UF	10% 10V
C7905	1-112-778-11	CERAMIC CHIP 0.022UF	10% 25V	C9610	1-112-777-11	CERAMIC CHIP 0.01UF	10% 25V
C7906	1-100-916-11	CERAMIC CHIP 0.1UF	10% 16V	C9612	1-100-831-91	CERAMIC CHIP 0.001UF	2% 50V
C7907	1-114-332-11	CERAMIC CHIP 22UF	10% 6.3V	C9614	1-100-831-91	CERAMIC CHIP 0.001UF	2% 50V
C7908	1-112-776-11	CERAMIC CHIP 0.0047UF	10% 50V	C9616	1-114-813-11	CERAMIC CHIP 1UF	10% 16V
C7909	1-100-916-11	CERAMIC CHIP 0.1UF	10% 16V	C9617	1-114-813-11	CERAMIC CHIP 1UF	10% 16V
C7910	1-100-916-11	CERAMIC CHIP 0.1UF	10% 16V	C9636	1-100-916-11	CERAMIC CHIP 0.1UF	10% 16V
C7911	1-100-916-11	CERAMIC CHIP 0.1UF	10% 16V	C9637	1-112-777-11	CERAMIC CHIP 0.01UF	10% 25V
C7913	1-114-399-21	ELECT CHIP 47UF	20% 6.3V	C9638	1-162-927-11	CERAMIC CHIP 100PF	5.00% 50V
C7914	1-112-775-11	CERAMIC CHIP 0.0022UF	10% 50V	C9639	1-162-927-11	CERAMIC CHIP 100PF	5.00% 50V

REF.NO.	PART.NO	DESCRIPTION	REMARK	REF.NO.	PART.NO	DESCRIPTION	REMARK
C9642	1-100-831-91	CERAMIC CHIP 0.001UF	2% 50V	CN9602	1-822-525-11	OPTICAL OUT CONNECTOR	
C9643	1-100-831-91	CERAMIC CHIP 0.001UF	2% 50V	CN9803	1-822-580-11	CONNECTOR DUAL SCART	
C9645	1-100-905-11	CERAMIC CHIP 0.001UF	10% 50V			< DIODE >	
C9646	1-114-813-11	CERAMIC CHIP 1UF	10% 16V				
C9647	1-114-813-11	CERAMIC CHIP 1UF	10% 16V	D1300	6-501-614-01	DIODE PZU5.6B2	
C9648	1-112-068-11	CERAMIC CHIP 220PF	10% 50V	D1314	6-502-730-01	DI RSX301L-30USTE25	
C9649	1-112-068-11	CERAMIC CHIP 220PF	10% 50V	D3506	1-805-774-21	VARISTOR, CHIP	
C9650	1-112-778-11	CERAMIC CHIP 0.022UF	10% 25V	D3507	1-805-774-21	VARISTOR, CHIP	
C9651	1-112-778-11	CERAMIC CHIP 0.022UF	10% 25V	D5509	8-719-056-48	DIODE 1SS388(TPL3)	
C9803	1-100-831-91	CERAMIC CHIP 0.001UF	2% 50V	D7203	6-502-247-01	DI KDZTR3.6B	
C9804	1-100-831-91	CERAMIC CHIP 0.001UF	2% 50V	D7603	6-502-318-01	DI MA4J1130GLS0	
C9805	1-100-831-91	CERAMIC CHIP 0.001UF	2% 50V	D7604	6-502-318-01	DI MA4J1130GLS0	
C9806	1-100-831-91	CERAMIC CHIP 0.001UF	2% 50V	D7605	6-502-318-01	DI MA4J1130GLS0	
C9809	1-114-813-11	CERAMIC CHIP 1UF	10% 16V	D7607	6-502-318-01	DI MA4J1130GLS0	
C9810	1-114-813-11	CERAMIC CHIP 1UF	10% 16V	D7608	6-502-150-01	DI MA2SD320G8S0	
C9811	1-114-410-21	CERAMIC CHIP 680PF	2% 50V	D7609	6-502-150-01	DI MA2SD320G8S0	
C9818	1-100-831-91	CERAMIC CHIP 0.001UF	2% 50V	D7900	8-719-058-24	DIODE RB501V-40TE-17	
C9820	1-100-831-91	CERAMIC CHIP 0.001UF	2% 50V	D9600	6-502-177-01	DI UMZ9.1KTL	
C9821	1-100-831-91	CERAMIC CHIP 0.001UF	2% 50V	D9601	6-501-614-01	DIODE PZU5.6B2	
C9822	1-100-831-91	CERAMIC CHIP 0.001UF	2% 50V	D9602	6-502-318-01	DI MA4J1130GLS0	
C9823	1-100-831-91	CERAMIC CHIP 0.001UF	2% 50V	D9603	6-502-574-01	DI MALH120YGLS0	
C9824	1-100-831-91	CERAMIC CHIP 0.001UF	2% 50V	D9604	6-502-574-01	DI MALH120YGLS0	
C9825	1-114-813-11	CERAMIC CHIP 1UF	10% 16V	D9605	6-502-574-01	DI MALH120YGLS0	
C9826	1-114-813-11	CERAMIC CHIP 1UF	10% 16V	D9606	6-502-574-01	DI MALH120YGLS0	
C9827	1-112-781-11	CERAMIC CHIP 1UF	10% 10V	D9607	6-501-754-01	DIODE MAZ8091G0LS0	
C9828	1-112-781-11	CERAMIC CHIP 1UF	10% 10V	D9609	6-502-574-01	DI MALH120YGLS0	
C9839	1-100-916-11	CERAMIC CHIP 0.1UF	10% 16V	D9610	6-502-574-01	DI MALH120YGLS0	
C9840	1-114-331-11	CERAMIC CHIP 4.7UF	10% 10V	D9612	6-501-754-01	DIODE MAZ8091G0LS0	
C9841	1-100-909-11	CERAMIC CHIP 10UF	10% 6.3V	D9613	6-501-754-01	DIODE MAZ8091G0LS0	
C9842	1-100-909-11	CERAMIC CHIP 10UF	10% 6.3V	D9614	6-502-574-01	DI MALH120YGLS0	
C9843	1-114-410-21	CERAMIC CHIP 680PF	2% 50V	D9615	6-502-574-01	DI MALH120YGLS0	
		< CONNECTOR >		D9807	6-502-574-01	DI MALH120YGLS0	
CN1300	1-819-797-11	HEADER ASSEMBLY FOR PWB 13P		D9808	6-502-574-01	DI MALH120YGLS0	
CN1301	1-819-476-11	HEADER ASSEMBLY FOR PWB 8P		D9809	6-502-574-01	DI MALH120YGLS0	
CN2000	1-821-180-11	MEMORY STICK CONNECTOR		D9810	6-502-574-01	DI MALH120YGLS0	
CN3500	1-822-537-11	ETHERNET CONNECTOR		D9811	6-501-770-01	DIODE MAZ8130G0LS0	
CN3501	1-821-834-12	USB CONNECTOR		D9812	6-501-754-01	DIODE MAZ8091G0LS0	
CN3800	1-822-579-12	CARD CONNECTOR (PCMCIA CARD)		D9813	6-501-754-01	DIODE MAZ8091G0LS0	
CN4501	1-821-034-11	HEADER ASSEMBLY FOR PWB 51P		D9814	6-501-754-01	DIODE MAZ8091G0LS0	
CN5502	1-779-936-51	CONNECTOR, FFC/FPC 18P		D9815	6-501-754-01	DIODE MAZ8091G0LS0	
CN5503	1-820-235-11	HEADER ASSEMBLY 30P		D9816	6-501-754-01	DIODE MAZ8091G0LS0	
CN7201	1-819-461-11	HEADER ASSEMBLY FOR PWB 4P		D9817	6-501-754-01	DIODE MAZ8091G0LS0	
CN7600	1-822-483-11	HDMI CONNECTOR		D9818	6-502-574-01	DI MALH120YGLS0	
CN7601	1-822-483-11	HDMI CONNECTOR		D9819	6-502-574-01	DI MALH120YGLS0	
CN7602	1-822-485-11	HDMI CONNECTOR		D9820	6-502-574-01	DI MALH120YGLS0	
CN7603	1-822-485-11	HDMI CONNECTOR		D9821	6-502-574-01	DI MALH120YGLS0	
CN9600	1-821-827-21	D SUB CONNECTOR		D9822	6-501-770-01	DIODE MAZ8130G0LS0	
				D9823	6-501-754-01	DIODE MAZ8091G0LS0	
				D9824	6-501-754-01	DIODE MAZ8091G0LS0	

**Note :** The components identified by shading and marked  $\Delta$  are critical for safety. Replace only with the part numbers specified in the parts list.



REF.NO.	PART.NO	DESCRIPTION	REMARK	REF.NO.	PART.NO	DESCRIPTION	REMARK
D9825	6-501-754-01	DIODE MAZ8091G0LS0		FB4001	1-400-462-21	FERRITE	OUH
D9826	6-501-754-01	DIODE MAZ8091G0LS0		FB4002	1-400-462-21	FERRITE	OUH
D9827	6-501-754-01	DIODE MAZ8091G0LS0		FB5000	1-400-462-21	FERRITE	OUH
D9828	6-501-754-01	DIODE MAZ8091G0LS0		FB5001	1-400-462-21	FERRITE	OUH
D9829	6-501-754-01	DIODE MAZ8091G0LS0		FB5500	1-500-922-11	FERRITE	OUH
D9832	6-502-574-01	DI MALH120YGLS0		FB5501	1-500-922-11	FERRITE	OUH
D9833	6-502-574-01	DI MALH120YGLS0		FB5502	1-500-922-11	FERRITE	OUH
D9835	6-501-754-01	DIODE MAZ8091G0LS0		FB7001	1-481-517-11	FERRITE	OUH
D9839	6-501-619-01	DIODE PZU9.1B2		FB7201	1-400-089-21	FERRITE	OUH
D9840	6-501-619-01	DIODE PZU9.1B2		FB7202	1-400-089-21	FERRITE	OUH
ET2000	1-780-638-21	CONTACT TERMINAL		FB7203	1-400-089-21	FERRITE	OUH
ET2001	1-780-638-21	CONTACT TERMINAL		FB7204	1-400-089-21	FERRITE	OUH
ET2002	1-780-638-21	CONTACT TERMINAL		FB900	1-469-869-21	FERRITE	OUH
ET2003	1-780-638-21	CONTACT TERMINAL		FB901	1-400-834-11	FERRITE	OUH
ET2004	1-780-638-21	CONTACT TERMINAL		FB902	1-400-834-11	FERRITE	OUH
ET2005	1-780-638-21	CONTACT TERMINAL		FB903	1-400-834-11	FERRITE	OUH
ET2006	1-780-638-21	CONTACT TERMINAL		FB904	1-400-834-11	FERRITE	OUH
ET2007	1-780-317-11	TERMINAL		FB905	1-400-834-11	FERRITE	OUH
< FUSE >				FB906	1-400-834-11	FERRITE	OUH
F1000	$\Delta$ 1-576-603-11	FUSE	3.15A 24V	FB907	1-400-834-11	FERRITE	OUH
F1300	$\Delta$ 1-576-603-11	FUSE	3.15A 24V	FB908	1-400-834-11	FERRITE	OUH
F1301	$\Delta$ 1-576-603-11	FUSE	3.15A 24V	FB909	1-400-834-11	FERRITE	OUH
F3000	$\Delta$ 1-576-603-11	FUSE	3.15A 24V	FB910	1-400-834-11	FERRITE	OUH
F4200	$\Delta$ 1-576-406-11	FUSE	1.4A 32V	FB911	1-400-834-11	FERRITE	OUH
F7001	$\Delta$ 1-576-913-11	FUSE	1.6A 36V	FB917	1-400-462-21	FERRITE	OUH
F7201	$\Delta$ 1-576-933-21	FUSE	5A 24V	FB918	1-400-462-21	FERRITE	OUH
F7401	$\Delta$ 1-576-646-11	FUSE	0.5A 50V	FB919	1-400-461-21	FERRITE	OUH
F7900	$\Delta$ 1-576-646-11	FUSE	0.5A 50V	FB920	1-400-461-21	FERRITE	OUH
F7902	$\Delta$ 1-576-406-11	FUSE	1.4A 32V	FB9804	1-400-461-21	FERRITE	OUH
F9600	$\Delta$ 1-576-646-11	FUSE	0.5A 50V	FB9805	1-400-461-21	FERRITE	OUH
F9800	$\Delta$ 1-576-406-11	FUSE	1.4A 32V	FB9806	1-400-461-21	FERRITE	OUH
< FERRITE BEAD >				FB9807	1-400-461-21	FERRITE	OUH
FB1000	1-481-515-11	FERRITE	OUH	< FILTER >			
FB1302	1-400-834-11	FERRITE	OUH	FL4500	1-234-494-21	FILTER, EMI REMOVAL (SMD)	
FB1303	1-400-834-11	FERRITE	OUH	FL4501	1-200-014-21	FILTER, EMI REMOVAL (SMD)	
FB1305	1-400-834-11	FERRITE	OUH	FL7600	1-234-939-21	FILTER, EMI REMOVAL (SMD)	
FB1309	1-400-834-11	FERRITE	OUH	< IC >			
FB1310	1-400-089-21	FERRITE	OUH	IC1000	6-713-863-01	IC BD9540EFV-E2	
FB2000	1-400-461-21	FERRITE	OUH	IC1001	6-711-047-01	IC S-1132B18-U5T1G	
FB2001	1-400-461-21	FERRITE	OUH	IC1002	6-710-941-01	IC MM3141ZNRE (1.07V)	
FB3502	1-481-466-11	FERRITE	OUH	IC1003	6-711-238-01	IC NJM2878F3-15 (TE2)	
FB3503	1-481-466-11	FERRITE	OUH	IC1004	6-711-237-01	IC NJM2878F3-33 (TE2)	
FB3504	1-481-466-11	FERRITE	OUH	IC1308	6-714-032-01	IC BD9321EFJ-E2	
FB3505	1-481-466-11	FERRITE	OUH	IC2003	6-712-397-01	IC 74AHC1G08GW-125	
FB3506	1-481-466-11	FERRITE	OUH	IC2501	6-713-835-01	IC K9F1208U0C-PIB0T	
FB3800	1-481-517-11	FERRITE	OUH	IC2502	6-713-835-01	IC K9F1208U0C-PIB0T	
FB4000	1-400-462-21	FERRITE	OUH	IC3001	6-710-949-01	IC SN0608006PWR	

REF.NO.	PART.NO	DESCRIPTION	REMARK	REF.NO.	PART.NO	DESCRIPTION	REMARK
IC3002	6-713-838-01	IC EDE1116AEBG-8E-F-TR		L3000	1-457-730-11	INDUCTOR	2.2UH
IC3003	6-713-205-11	IC EDE5116AJBG-8E-E-TR		L3500	1-457-223-11	INDUCTOR	0UH
IC3500	6-712-775-11	IC KSZ8041TLTR		L4001	1-469-556-21	INDUCTOR	15UH
IC3502	6-711-288-01	IC MIC2005-0.5YM6TR		L4200	1-469-557-21	INDUCTOR	22UH
IC3801	6-711-471-01	IC TC74LCX245FK(EL,K)		L4401	1-481-521-11	INDUCTOR	1UH
IC3804	6-711-471-01	IC TC74LCX245FK(EL,K)		L4514	1-481-521-11	INDUCTOR	1UH
IC3805	6-711-471-01	IC TC74LCX245FK(EL,K)		L4515	1-457-539-11	INDUCTOR	0UH
IC3806	6-711-471-01	IC TC74LCX245FK(EL,K)		L4516	1-457-539-11	INDUCTOR	0UH
IC3807	6-711-471-01	IC TC74LCX245FK(EL,K)		L4517	1-457-539-11	INDUCTOR	0UH
IC3808	6-711-471-01	IC TC74LCX245FK(EL,K)		L4518	1-457-539-11	INDUCTOR	0UH
IC3809	6-711-471-01	IC TC74LCX245FK(EL,K)		L4519	1-457-539-11	INDUCTOR	0UH
IC3810	6-711-288-01	IC MIC2005-0.5YM6TR		L4520	1-457-539-11	INDUCTOR	0UH
IC4200	8-753-289-76	IC CXA2241Q-T4		L7002	1-481-524-11	INDUCTOR	10UH
IC4400	6-708-641-11	IC SAA7115AHL/V1,518		L7201	1-457-754-11	INDUCTOR	22UH
IC5500	6-713-333-01	IC PST8429UL		L7204	1-457-754-11	INDUCTOR	22UH
IC5501	6-711-047-01	IC S-1132B18-U5T1G		L7302	1-481-524-11	INDUCTOR	10UH
IC5502	6-713-820-01	IC MB91F313APMC-GE1		L7303	1-481-524-11	INDUCTOR	10UH
IC5503	6-710-786-01	IC TC7SH125FU(T5RSOYF)		L7401	1-481-524-11	INDUCTOR	10UH
IC5504	6-710-786-01	IC TC7SH125FU(T5RSOYF)		L7600	1-456-844-11	INDUCTOR	0UH
IC5505	6-704-573-01	IC M24C32-WMN6T(B)		L7601	1-456-844-11	INDUCTOR	0UH
IC5506	6-713-333-01	IC PST8429UL		L7602	1-456-844-11	INDUCTOR	0UH
IC5507	6-713-836-01	IC LM75BD		L7603	1-456-844-11	INDUCTOR	0UH
IC5508	6-706-482-01	IC TC7SH00FU(T5RSOYJF)		L7604	1-456-844-11	INDUCTOR	0UH
IC7001	6-706-489-01	IC TC7SH32FU(T5RSOYJF)		L7605	1-456-844-11	INDUCTOR	0UH
IC7003	6-712-974-01	IC CXD9926ATQ		L7606	1-456-844-11	INDUCTOR	0UH
IC7201	6-713-875-01	IC TAS5602DCAR		L7607	1-456-844-11	INDUCTOR	0UH
IC7301	8-753-314-50	IC CXA3785R-T6		L7901	1-469-549-21	INDUCTOR	1UH
IC7401	6-713-862-01	IC AK4388AET-E2		L7902	1-400-791-21	INDUCTOR	10UH
IC7453	6-711-237-01	IC NJM2878F3-33 (TE2)		L7903	1-412-990-41	INDUCTOR	8.2UH
IC7600	8-753-310-83	IC CXB1447R-T6		L7904	1-400-791-21	INDUCTOR	10UH
IC7601	6-704-600-01	IC M24C02-WMN6T(B)		L7905	1-400-791-21	INDUCTOR	10UH
IC7900	6-709-257-01	IC 74LVC4066PW		L7906	1-400-791-21	INDUCTOR	10UH
IC7902	6-711-132-01	IC MM3291CNRE		L7907	1-400-791-21	INDUCTOR	10UH
IC7903	6-709-607-01	IC LA5795T-TLM-E		L7913	1-469-555-21	INDUCTOR	10UH
IC7904	8-759-338-95	IC NJM2903V(TE2)		L9600	1-400-177-21	FERRITE	0UH
IC7905	6-710-532-01	IC NJM2878F4-25(TE2)		L9800	1-469-557-21	INDUCTOR	22UH
IC9600	6-704-600-01	IC M24C02-WMN6T(B)		L9801	1-481-329-21	INDUCTOR	100NH
IC9601	6-708-132-01	IC 74LVC14APW		L9802	1-481-329-21	INDUCTOR	100NH
< SOCKET >				< TRANSISTOR >			
J9600	1-822-524-31	PHONO JACK 2P		Q1000	6-550-354-01	TRANSISTOR RTQ035P02TR	
J9601	1-822-528-11	JACK		Q1001	6-551-815-01	TR UNR52A1G0LS0	
J9605	1-822-581-11	MULTIPLE PHONO JACK 4P		Q1002	6-552-215-01	TR RRS100N03FPFTB1	
J9800	1-822-523-11	PHONO JACK 5P		Q1003	6-552-215-01	TR RRS100N03FPFTB1	
< COIL >				Q1004	6-552-212-01	TR MP6K61FU7TR	
L1002	1-457-714-11	INDUCTOR	4.7UH	Q1304	6-551-690-01	TRANSISTOR RT3N11M-TP-1	
L1003	1-457-744-11	INDUCTOR	1.5UH	Q1309	8-729-907-00	TRANSISTOR DTC114EU	
L1307	1-457-455-11	INDUCTOR	10UH	Q1312	6-550-369-01	TRANSISTOR TPC8109(TE12L)	
L1308	1-424-918-21	INDUCTOR	10UH	Q1420	6-551-690-01	TRANSISTOR RT3N11M-TP-1	
				Q1421	6-551-690-01	TRANSISTOR RT3N11M-TP-1	

REF.NO.	PART.NO	DESCRIPTION	REMARK	REF.NO.	PART.NO	DESCRIPTION	REMARK
Q2500	6-551-775-01	TR 2SA2122G0LS0		R1003	1-208-698-11	METAL CHIP 4.3K 0.5%	1/16W
Q2501	6-551-815-01	TR UNR52A1G0LS0		R1004	1-208-911-11	METAL CHIP 10K 0.5%	1/16W
Q3000	6-552-212-01	TR MP6K61FU7TR		R1005	1-208-698-11	METAL CHIP 4.3K 0.5%	1/16W
Q4000	8-729-026-53	TRANSISTOR 2SA1576A-T106-QR		R1006	1-218-965-11	METAL CHIP 10K 5%	1/16W
Q4031	6-551-775-01	TR 2SA2122G0LS0		R1007	1-218-978-11	METAL CHIP 120K 5%	1/16W
Q4200	6-551-903-01	TR RT3S02M-T111-1		R1008	1-218-953-11	METAL CHIP 1K 5%	1/16W
Q4201	6-551-903-01	TR RT3S02M-T111-1		R1009	1-218-974-11	METAL CHIP 56K 5%	1/16W
Q4202	6-551-903-01	TR RT3S02M-T111-1		R1300	1-218-990-81	SHORT CHIP 0	
Q4401	6-551-321-01	TRANSISTOR RT3WLMM-TP-1F		R1301	1-218-990-81	SHORT CHIP 0	
Q5500	6-551-775-01	TR 2SA2122G0LS0		R1303	1-218-965-11	METAL CHIP 10K 5%	1/16W
Q5501	6-551-815-01	TR UNR52A1G0LS0		R1304	1-218-969-11	METAL CHIP 22K 5%	1/16W
Q5503	6-551-825-01	TR UNR52A5G0LS0		R1311	1-218-990-81	SHORT CHIP 0	
Q5504	6-551-321-01	TRANSISTOR RT3WLMM-TP-1F		R1313	1-218-957-11	METAL CHIP 2.2K 5%	1/16W
Q5507	6-551-815-01	TR UNR52A1G0LS0		R1317	1-208-911-11	METAL CHIP 10K 0.5%	1/16W
Q5510	6-551-824-01	TR UNR51A5G0LS0		R1321	1-218-965-11	METAL CHIP 10K 5%	1/16W
Q5512	6-552-110-01	TR UNR52AMG0LS0		R1322	1-218-965-11	METAL CHIP 10K 5%	1/16W
Q7201	6-551-969-01	TR RT3P55M-TP-1		R1324	1-218-965-11	METAL CHIP 10K 5%	1/16W
Q7302	6-551-551-01	TRANSISTOR RT3N77M-TP-1		R1328	1-218-941-81	METAL CHIP 100 5%	1/16W
Q7303	6-551-943-01	TR RT3XBBM-T111-1		R1331	1-218-983-11	METAL CHIP 330K 5%	1/16W
Q7304	6-551-551-01	TRANSISTOR RT3N77M-TP-1		R1362	1-208-931-11	METAL CHIP 68K 0.5%	1/16W
Q7305	6-551-551-01	TRANSISTOR RT3N77M-TP-1		R1363	1-218-977-11	METAL CHIP 100K 5%	1/16W
Q7306	6-551-943-01	TR RT3XBBM-T111-1		R1405	1-218-990-81	SHORT CHIP 0	
Q7307	6-551-943-01	TR RT3XBBM-T111-1		R1406	1-218-965-11	METAL CHIP 10K 5%	1/16W
Q7308	6-551-691-01	TRANSISTOR RT3P11M-TP-1		R1407	1-208-699-11	METAL CHIP 4.7K 0.5%	1/16W
Q7309	6-551-943-01	TR RT3XBBM-T111-1		R1408	1-208-709-11	METAL CHIP 12K 0.5%	1/16W
Q7901	6-551-904-01	TR RT3S03M-T111-1		R1410	1-208-911-11	METAL CHIP 10K 0.5%	1/16W
Q7902	6-551-904-01	TR RT3S03M-T111-1		R1420	1-218-977-11	METAL CHIP 100K 5%	1/16W
Q7903	6-551-775-01	TR 2SA2122G0LS0		R1421	1-218-969-11	METAL CHIP 22K 5%	1/16W
Q7905	6-551-775-01	TR 2SA2122G0LS0		R2001	1-218-941-81	METAL CHIP 100 5%	1/16W
Q7906	6-551-775-01	TR 2SA2122G0LS0		R2002	1-218-937-11	METAL CHIP 47 5%	1/16W
Q7907	6-550-871-01	TRANSISTOR 2SA2048TL QR		R2008	1-218-965-11	METAL CHIP 10K 5%	1/16W
Q7908	6-550-871-01	TRANSISTOR 2SA2048TL QR		R2010	1-218-990-81	SHORT CHIP 0	
Q7909	6-551-776-01	TR 2SC5950G0LS0		R2011	1-218-937-11	METAL CHIP 47 5%	1/16W
Q7910	6-551-776-01	TR 2SC5950G0LS0		R2012	1-218-965-11	METAL CHIP 10K 5%	1/16W
Q7911	6-551-825-01	TR UNR52A5G0LS0		R2017	1-218-937-11	METAL CHIP 47 5%	1/16W
Q7914	6-551-904-01	TR RT3S03M-T111-1		R2021	1-218-941-81	METAL CHIP 100 5%	1/16W
Q7915	6-551-776-01	TR 2SC5950G0LS0		R2035	1-218-941-81	METAL CHIP 100 5%	1/16W
Q7916	6-551-776-01	TR 2SC5950G0LS0		R2040	1-218-937-11	METAL CHIP 47 5%	1/16W
Q7917	6-551-775-01	TR 2SA2122G0LS0		R2041	1-218-937-11	METAL CHIP 47 5%	1/16W
Q7919	6-551-815-01	TR UNR52A1G0LS0		R2043	1-218-939-11	METAL CHIP 68 5%	1/16W
Q9601	6-551-815-01	TR UNR52A1G0LS0		R2045	1-218-965-11	METAL CHIP 10K 5%	1/16W
Q9806	6-551-776-01	TR 2SC5950G0LS0		R2046	1-218-965-11	METAL CHIP 10K 5%	1/16W
Q9812	6-551-776-01	TR 2SC5950G0LS0		R2047	1-218-957-11	METAL CHIP 2.2K 5%	1/16W
Q9813	6-551-272-01	TRANSISTOR RT3CLLM		R2048	1-218-965-11	METAL CHIP 10K 5%	1/16W
Q9814	6-551-272-01	TRANSISTOR RT3CLLM		R2049	1-218-957-11	METAL CHIP 2.2K 5%	1/16W
		< RESISTOR >		R2050	1-218-961-11	METAL CHIP 4.7K 5%	1/16W
R1000	1-218-965-11	METAL CHIP 10K 5%	1/16W	R2051	1-218-961-11	METAL CHIP 4.7K 5%	1/16W
R1001	1-218-985-11	METAL CHIP 470K 5%	1/16W	R2056	1-218-965-11	METAL CHIP 10K 5%	1/16W
R1002	1-208-711-11	METAL CHIP 15K 0.5%	1/16W	R2057	1-218-965-11	METAL CHIP 10K 5%	1/16W
				R2067	1-218-965-11	METAL CHIP 10K 5%	1/16W

REF.NO.	PART.NO	DESCRIPTION	REMARK	REF.NO.	PART.NO	DESCRIPTION	REMARK
R2069	1-218-965-11	METAL CHIP	10K 5% 1/16W	R3038	1-218-929-11	METAL CHIP	10 5% 1/16W
R2071	1-218-965-11	METAL CHIP	10K 5% 1/16W	R3044	1-208-860-81	METAL CHIP	75 0.5% 1/16W
R2076	1-218-965-11	METAL CHIP	10K 5% 1/16W	R3045	1-208-860-81	METAL CHIP	75 0.5% 1/16W
R2086	1-208-883-81	METAL CHIP	680 0.5% 1/16W	R3046	1-208-860-81	METAL CHIP	75 0.5% 1/16W
R2087	1-208-683-11	METAL CHIP	1K 0.5% 1/16W	R3047	1-208-860-81	METAL CHIP	75 0.5% 1/16W
R2088	1-208-687-11	METAL CHIP	1.5K 0.5% 1/16W	R3050	1-208-663-11	METAL CHIP	150 0.5% 1/16W
R2100	1-218-937-11	METAL CHIP	47 5% 1/16W	R3051	1-208-663-11	METAL CHIP	150 0.5% 1/16W
R2138	1-218-937-11	METAL CHIP	47 5% 1/16W	R3052	1-208-911-11	METAL CHIP	10K 0.5% 1/16W
R2139	1-218-937-11	METAL CHIP	47 5% 1/16W	R3053	1-208-911-11	METAL CHIP	10K 0.5% 1/16W
R2140	1-218-965-11	METAL CHIP	10K 5% 1/16W	R3054	1-208-911-11	METAL CHIP	10K 0.5% 1/16W
R2141	1-218-937-11	METAL CHIP	47 5% 1/16W	R3055	1-208-911-11	METAL CHIP	10K 0.5% 1/16W
R2142	1-218-937-11	METAL CHIP	47 5% 1/16W	R3057	1-218-990-81	SHORT CHIP	0
R2143	1-218-965-11	METAL CHIP	10K 5% 1/16W	R3060	1-218-965-11	METAL CHIP	10K 5% 1/16W
R2144	1-218-965-11	METAL CHIP	10K 5% 1/16W	R3061	1-208-711-11	METAL CHIP	15K 0.5% 1/16W
R2145	1-218-990-81	SHORT CHIP	0	R3501	1-218-941-11	METAL CHIP	100 5% 1/16W
R2146	1-218-990-81	SHORT CHIP	0	R3502	1-218-941-11	METAL CHIP	100 5% 1/16W
R2147	1-218-990-81	SHORT CHIP	0	R3503	1-218-941-11	METAL CHIP	100 5% 1/16W
R2148	1-218-990-81	SHORT CHIP	0	R3504	1-218-941-11	METAL CHIP	100 5% 1/16W
R2149	1-218-990-81	SHORT CHIP	0	R3505	1-218-941-11	METAL CHIP	100 5% 1/16W
R2150	1-218-990-81	SHORT CHIP	0	R3506	1-218-941-11	METAL CHIP	100 5% 1/16W
R2151	1-218-990-81	SHORT CHIP	0	R3507	1-218-941-11	METAL CHIP	100 5% 1/16W
R2152	1-218-990-81	SHORT CHIP	0	R3508	1-218-941-11	METAL CHIP	100 5% 1/16W
R2506	1-218-937-11	METAL CHIP	47 5% 1/16W	R3510	1-208-703-11	METAL CHIP	6.8K 0.5% 1/16W
R2510	1-218-937-11	METAL CHIP	47 5% 1/16W	R3511	1-218-939-11	METAL CHIP	68 5% 1/16W
R2514	1-218-937-11	METAL CHIP	47 5% 1/16W	R3512	1-218-937-11	METAL CHIP	47 5% 1/16W
R2517	1-218-933-11	METAL CHIP	22 5% 1/16W	R3513	1-218-978-11	METAL CHIP	120K 5% 1/16W
R2518	1-218-933-11	METAL CHIP	22 5% 1/16W	R3518	1-218-961-11	METAL CHIP	4.7K 5% 1/16W
R2519	1-218-933-11	METAL CHIP	22 5% 1/16W	R3524	1-218-953-11	METAL CHIP	1K 5% 1/16W
R2530	1-218-965-11	METAL CHIP	10K 5% 1/16W	R3525	1-218-961-11	METAL CHIP	4.7K 5% 1/16W
R2579	1-218-937-11	METAL CHIP	47 5% 1/16W	R3528	1-218-953-11	METAL CHIP	1K 5% 1/16W
R2580	1-218-937-11	METAL CHIP	47 5% 1/16W	R3530	1-218-953-11	METAL CHIP	1K 5% 1/16W
R2605	1-218-965-11	METAL CHIP	10K 5% 1/16W	R3534	1-218-953-11	METAL CHIP	1K 5% 1/16W
R2608	1-218-965-11	METAL CHIP	10K 5% 1/16W	R3536	1-218-953-11	METAL CHIP	1K 5% 1/16W
R2612	1-218-965-11	METAL CHIP	10K 5% 1/16W	R3541	1-220-884-81	METAL CHIP	39 0.5% 1/16W
R2616	1-218-949-11	METAL CHIP	470 5% 1/16W	R3542	1-220-884-81	METAL CHIP	39 0.5% 1/16W
R2657	1-218-965-11	METAL CHIP	10K 5% 1/16W	R3544	1-208-688-11	METAL CHIP	1.6K 0.5% 1/16W
R2674	1-218-965-11	METAL CHIP	10K 5% 1/16W	R3545	1-218-967-11	METAL CHIP	15K 5% 1/16W
R2675	1-218-965-11	METAL CHIP	10K 5% 1/16W	R3546	1-218-967-11	METAL CHIP	15K 5% 1/16W
R2704	1-218-953-11	METAL CHIP	1K 5% 1/16W	R3558	1-218-937-11	METAL CHIP	47 5% 1/16W
R2705	1-218-965-11	METAL CHIP	10K 5% 1/16W	R3561	1-218-937-11	METAL CHIP	47 5% 1/16W
R2706	1-218-961-11	METAL CHIP	4.7K 5% 1/16W	R3803	1-218-965-11	METAL CHIP	10K 5% 1/16W
R2707	1-218-937-11	METAL CHIP	47 5% 1/16W	R3806	1-218-965-11	METAL CHIP	10K 5% 1/16W
R2709	1-218-941-81	METAL CHIP	100 5% 1/16W	R3807	1-218-965-11	METAL CHIP	10K 5% 1/16W
R3000	1-208-911-11	METAL CHIP	10K 0.5% 1/16W	R3809	1-218-965-11	METAL CHIP	10K 5% 1/16W
R3001	1-208-911-11	METAL CHIP	10K 0.5% 1/16W	R3810	1-218-937-11	METAL CHIP	47 5% 1/16W
R3002	1-208-663-11	METAL CHIP	150 0.5% 1/16W	R3811	1-218-965-11	METAL CHIP	10K 5% 1/16W
R3003	1-208-663-11	METAL CHIP	150 0.5% 1/16W	R3812	1-218-965-11	METAL CHIP	10K 5% 1/16W
R3009	1-218-933-11	METAL CHIP	22 5% 1/16W	R3813	1-218-965-11	METAL CHIP	10K 5% 1/16W
R3011	1-218-990-81	SHORT CHIP	0	R3814	1-218-941-81	METAL CHIP	100 5% 1/16W
R3013	1-218-965-11	METAL CHIP	10K 5% 1/16W	R3815	1-218-941-81	METAL CHIP	100 5% 1/16W

REF.NO.	PART.NO	DESCRIPTION	REMARK	REF.NO.	PART.NO	DESCRIPTION	REMARK
R3816	1-218-941-81	METAL CHIP	100 5% 1/16W	R4140	1-218-990-81	SHORT CHIP	0
R3817	1-218-965-11	METAL CHIP	10K 5% 1/16W	R4142	1-218-990-81	SHORT CHIP	0
R3818	1-218-965-11	METAL CHIP	10K 5% 1/16W	R4144	1-208-687-11	METAL CHIP	1.5K 0.5% 1/16W
R3819	1-218-965-11	METAL CHIP	10K 5% 1/16W	R4145	1-208-687-11	METAL CHIP	1.5K 0.5% 1/16W
R3820	1-218-953-11	METAL CHIP	1K 5% 1/16W	R4146	1-208-687-11	METAL CHIP	1.5K 0.5% 1/16W
R3821	1-218-937-11	METAL CHIP	47 5% 1/16W	R4153	1-208-683-11	METAL CHIP	1K 0.5% 1/16W
R3822	1-218-953-11	METAL CHIP	1K 5% 1/16W	R4154	1-218-990-81	SHORT CHIP	0
R3823	1-218-965-11	METAL CHIP	10K 5% 1/16W	R4200	1-218-990-81	SHORT CHIP	0
R4001	1-218-990-81	SHORT CHIP	0	R4201	1-218-941-81	METAL CHIP	100 5% 1/16W
R4002	1-218-990-81	SHORT CHIP	0	R4202	1-218-990-81	SHORT CHIP	0
R4003	1-218-941-81	METAL CHIP	100 5% 1/16W	R4203	1-218-962-11	METAL CHIP	5.6K 5% 1/16W
R4004	1-218-945-11	METAL CHIP	220 5% 1/16W	R4204	1-218-962-11	METAL CHIP	5.6K 5% 1/16W
R4005	1-220-177-81	METAL CHIP	360 5% 1/16W	R4205	1-218-941-81	METAL CHIP	100 5% 1/16W
R4006	1-218-990-81	SHORT CHIP	0	R4207	1-218-965-11	METAL CHIP	10K 5% 1/16W
R4008	1-218-943-11	METAL CHIP	150 5% 1/16W	R4208	1-218-965-11	METAL CHIP	10K 5% 1/16W
R4010	1-208-635-11	METAL CHIP	10 0.5% 1/16W	R4216	1-218-990-81	SHORT CHIP	0
R4011	1-208-635-11	METAL CHIP	10 0.5% 1/16W	R4217	1-218-965-11	METAL CHIP	10K 5% 1/16W
R4012	1-208-635-11	METAL CHIP	10 0.5% 1/16W	R4218	1-218-965-11	METAL CHIP	10K 5% 1/16W
R4013	1-218-939-11	METAL CHIP	68 5% 1/16W	R4401	1-208-889-11	METAL CHIP	1.2K 0.5% 1/16W
R4014	1-218-939-11	METAL CHIP	68 5% 1/16W	R4402	1-218-990-81	SHORT CHIP	0
R4015	1-218-939-11	METAL CHIP	68 5% 1/16W	R4403	1-218-958-11	METAL CHIP	2.7K 5% 1/16W
R4042	1-218-949-11	METAL CHIP	470 5% 1/16W	R4405	1-208-677-11	METAL CHIP	560 0.5% 1/16W
R4043	1-218-990-81	SHORT CHIP	0	R4407	1-218-990-81	SHORT CHIP	0
R4047	1-218-990-81	SHORT CHIP	0	R4409	1-218-990-81	SHORT CHIP	0
R4049	1-218-990-81	SHORT CHIP	0	R4411	1-218-933-11	METAL CHIP	22 5% 1/16W
R4070	1-218-938-11	METAL CHIP	56 5% 1/16W	R4417	1-218-990-81	SHORT CHIP	0
R4072	1-218-939-11	METAL CHIP	68 5% 1/16W	R4418	1-218-990-81	SHORT CHIP	0
R4074	1-218-939-11	METAL CHIP	68 5% 1/16W	R4420	1-218-937-11	METAL CHIP	47 5% 1/16W
R4091	1-208-855-81	METAL CHIP	47 0.5% 1/16W	R4421	1-218-937-11	METAL CHIP	47 5% 1/16W
R4093	1-208-855-81	METAL CHIP	47 0.5% 1/16W	R4422	1-216-295-91	SHORT CHIP	0
R4095	1-208-855-81	METAL CHIP	47 0.5% 1/16W	R4505	1-208-893-11	METAL CHIP	1.8K 0.5% 1/16W
R4097	1-208-855-81	METAL CHIP	47 0.5% 1/16W	R4506	1-208-635-11	METAL CHIP	10 0.5% 1/16W
R4099	1-208-855-81	METAL CHIP	47 0.5% 1/16W	R4507	1-218-990-81	SHORT CHIP	0
R4101	1-208-855-81	METAL CHIP	47 0.5% 1/16W	R4512	1-216-864-11	SHORT CHIP	0
R4102	1-208-687-11	METAL CHIP	1.5K 0.5% 1/16W	R4513	1-216-864-11	SHORT CHIP	0
R4103	1-208-687-11	METAL CHIP	1.5K 0.5% 1/16W	R4514	1-242-967-81	METAL CHIP	1 5% 1/16W
R4119	1-218-990-81	SHORT CHIP	0	R4517	1-208-635-11	METAL CHIP	10 0.5% 1/16W
R4120	1-218-990-81	SHORT CHIP	0	R4518	1-218-990-81	SHORT CHIP	0
R4121	1-218-941-81	METAL CHIP	100 5% 1/16W	R4525	1-218-941-81	METAL CHIP	100 5% 1/16W
R4122	1-218-941-81	METAL CHIP	100 5% 1/16W	R4531	1-218-965-11	METAL CHIP	10K 5% 1/16W
R4123	1-208-643-11	METAL CHIP	22 0.5% 1/16W	R4532	1-218-990-81	SHORT CHIP	0
R4124	1-208-635-11	METAL CHIP	10 0.5% 1/16W	R5020	1-218-937-11	METAL CHIP	47 5% 1/16W
R4125	1-208-635-11	METAL CHIP	10 0.5% 1/16W	R5023	1-218-937-11	METAL CHIP	47 5% 1/16W
R4126	1-220-880-81	METAL CHIP	27 0.5% 1/16W	R5024	1-218-937-11	METAL CHIP	47 5% 1/16W
R4127	1-220-880-81	METAL CHIP	27 0.5% 1/16W	R5025	1-218-937-11	METAL CHIP	47 5% 1/16W
R4128	1-220-880-81	METAL CHIP	27 0.5% 1/16W	R5051	1-218-937-11	METAL CHIP	47 5% 1/16W
R4129	1-220-880-81	METAL CHIP	27 0.5% 1/16W	R5500	1-208-703-11	METAL CHIP	6.8K 0.5% 1/16W
R4130	1-220-880-81	METAL CHIP	27 0.5% 1/16W	R5501	1-208-935-11	METAL CHIP	100K 0.5% 1/16W
R4131	1-220-880-81	METAL CHIP	27 0.5% 1/16W	R5502	1-208-695-11	METAL CHIP	3.3K 0.5% 1/16W
R4137	1-234-106-81	RES, NETWORK	0	R5503	1-218-961-11	METAL CHIP	4.7K 5% 1/16W



REF.NO.	PART.NO	DESCRIPTION	REMARK			REF.NO.	PART.NO	DESCRIPTION	REMARK		
R5504	1-218-965-11	METAL CHIP	10K	5%	1/16W	R5605	1-218-965-11	METAL CHIP	10K	5%	1/16W
R5507	1-218-977-11	METAL CHIP	100K	5%	1/16W	R7002	1-218-990-81	SHORT CHIP	0		
R5508	1-218-965-11	METAL CHIP	10K	5%	1/16W	R7003	1-218-965-11	METAL CHIP	10K	5%	1/16W
R5510	1-218-949-11	METAL CHIP	470	5%	1/16W	R7010	1-218-990-81	SHORT CHIP	0		
R5511	1-218-937-11	METAL CHIP	47	5%	1/16W	R7014	1-218-990-81	SHORT CHIP	0		
R5512	1-218-937-11	METAL CHIP	47	5%	1/16W	R7017	1-218-953-11	METAL CHIP	1K	5%	1/16W
R5513	1-218-965-11	METAL CHIP	10K	5%	1/16W	R7018	1-218-990-81	SHORT CHIP	0		
R5514	1-218-965-11	METAL CHIP	10K	5%	1/16W	R7019	1-218-990-81	SHORT CHIP	0		
R5518	1-245-604-11	METAL CHIP	10M	5%	1/16W	R7020	1-218-990-81	SHORT CHIP	0		
R5519	1-218-941-81	METAL CHIP	100	5%	1/16W	R7024	1-220-199-81	METAL CHIP	24K	5%	1/16W
R5520	1-218-981-91	METAL CHIP	220K	5%	1/16W	R7025	1-218-990-81	SHORT CHIP	0		
R5521	1-208-911-11	METAL CHIP	10K	0.5%	1/16W	R7026	1-218-945-11	METAL CHIP	220	5%	1/16W
R5523	1-218-965-11	METAL CHIP	10K	5%	1/16W	R7027	1-218-945-11	METAL CHIP	220	5%	1/16W
R5526	1-218-965-11	METAL CHIP	10K	5%	1/16W	R7028	1-218-989-11	METAL CHIP	1M	5%	1/16W
R5529	1-208-683-11	METAL CHIP	1K	0.5%	1/16W	R7029	1-218-990-81	SHORT CHIP	0		
R5532	1-218-965-11	METAL CHIP	10K	5%	1/16W	R7030	1-218-990-81	SHORT CHIP	0		
R5534	1-208-691-11	METAL CHIP	2.2K	0.5%	1/16W	R7031	1-218-990-81	SHORT CHIP	0		
R5535	1-218-953-11	METAL CHIP	1K	5%	1/16W	R7034	1-218-990-81	SHORT CHIP	0		
R5536	1-218-990-81	SHORT CHIP	0			R7035	1-218-990-81	SHORT CHIP	0		
R5538	1-218-945-11	METAL CHIP	220	5%	1/16W	R7036	1-218-965-11	METAL CHIP	10K	5%	1/16W
R5540	1-208-711-11	METAL CHIP	15K	0.5%	1/16W	R7037	1-218-965-11	METAL CHIP	10K	5%	1/16W
R5542	1-208-703-11	METAL CHIP	6.8K	0.5%	1/16W	R7038	1-218-990-81	SHORT CHIP	0		
R5545	1-218-965-11	METAL CHIP	10K	5%	1/16W	R7201	1-218-990-81	SHORT CHIP	0		
R5546	1-208-931-11	METAL CHIP	68K	0.5%	1/16W	R7202	1-218-990-81	SHORT CHIP	0		
R5550	1-218-965-11	METAL CHIP	10K	5%	1/16W	R7204	1-218-990-81	SHORT CHIP	0		
R5552	1-218-965-11	METAL CHIP	10K	5%	1/16W	R7209	1-218-953-11	METAL CHIP	1K	5%	1/16W
R5553	1-218-965-11	METAL CHIP	10K	5%	1/16W	R7211	1-218-977-11	METAL CHIP	100K	5%	1/16W
R5554	1-218-965-11	METAL CHIP	10K	5%	1/16W	R7212	1-218-977-11	METAL CHIP	100K	5%	1/16W
R5555	1-218-965-11	METAL CHIP	10K	5%	1/16W	R7213	1-218-977-11	METAL CHIP	100K	5%	1/16W
R5559	1-218-937-11	METAL CHIP	47	5%	1/16W	R7214	1-218-977-11	METAL CHIP	100K	5%	1/16W
R5560	1-218-937-11	METAL CHIP	47	5%	1/16W	R7301	1-218-990-81	SHORT CHIP	0		
R5561	1-218-965-11	METAL CHIP	10K	5%	1/16W	R7302	1-218-990-81	SHORT CHIP	0		
R5562	1-218-965-11	METAL CHIP	10K	5%	1/16W	R7303	1-218-990-81	SHORT CHIP	0		
R5563	1-218-941-81	METAL CHIP	100	5%	1/16W	R7304	1-218-990-81	SHORT CHIP	0		
R5564	1-218-941-81	METAL CHIP	100	5%	1/16W	R7305	1-218-965-11	METAL CHIP	10K	5%	1/16W
R5567	1-218-941-81	METAL CHIP	100	5%	1/16W	R7313	1-218-990-81	SHORT CHIP	0		
R5568	1-218-941-81	METAL CHIP	100	5%	1/16W	R7314	1-218-990-81	SHORT CHIP	0		
R5569	1-218-965-11	METAL CHIP	10K	5%	1/16W	R7401	1-218-953-11	METAL CHIP	1K	5%	1/16W
R5570	1-218-953-11	METAL CHIP	1K	5%	1/16W	R7403	1-218-990-81	SHORT CHIP	0		
R5571	1-218-977-11	METAL CHIP	100K	5%	1/16W	R7404	1-218-990-81	SHORT CHIP	0		
R5572	1-218-977-11	METAL CHIP	100K	5%	1/16W	R7600	1-218-929-11	METAL CHIP	10	5%	1/16W
R5576	1-218-965-11	METAL CHIP	10K	5%	1/16W	R7601	1-218-929-11	METAL CHIP	10	5%	1/16W
R5577	1-218-965-11	METAL CHIP	10K	5%	1/16W	R7602	1-218-929-11	METAL CHIP	10	5%	1/16W
R5578	1-208-939-11	METAL CHIP	150K	0.5%	1/16W	R7603	1-208-683-11	METAL CHIP	1K	0.5%	1/16W
R5579	1-208-935-11	METAL CHIP	100K	0.5%	1/16W	R7604	1-208-683-11	METAL CHIP	1K	0.5%	1/16W
R5582	1-218-965-11	METAL CHIP	10K	5%	1/16W	R7605	1-208-683-11	METAL CHIP	1K	0.5%	1/16W
R5594	1-218-941-81	METAL CHIP	100	5%	1/16W	R7606	1-218-929-11	METAL CHIP	10	5%	1/16W
R5599	1-218-953-11	METAL CHIP	1K	5%	1/16W	R7607	1-208-683-11	METAL CHIP	1K	0.5%	1/16W
R5603	1-218-953-11	METAL CHIP	1K	5%	1/16W	R7608	1-218-941-81	METAL CHIP	100	5%	1/16W
R5604	1-218-990-81	SHORT CHIP	0			R7609	1-218-941-81	METAL CHIP	100	5%	1/16W

REF.NO.	PART.NO	DESCRIPTION	REMARK	REF.NO.	PART.NO	DESCRIPTION	REMARK
R7610	1-218-941-81	METAL CHIP	100 5% 1/16W	R7975	1-218-933-11	METAL CHIP	22 5% 1/16W
R7611	1-218-941-81	METAL CHIP	100 5% 1/16W	R7978	1-218-957-11	METAL CHIP	2.2K 5% 1/16W
R7612	1-218-961-11	METAL CHIP	4.7K 5% 1/16W	R7979	1-218-965-11	METAL CHIP	10K 5% 1/16W
R7613	1-218-973-11	METAL CHIP	47K 5% 1/16W	R7980	1-218-957-11	METAL CHIP	2.2K 5% 1/16W
R7621	1-218-965-11	METAL CHIP	10K 5% 1/16W	R7981	1-218-965-11	METAL CHIP	10K 5% 1/16W
R7622	1-218-990-81	SHORT CHIP	0	R7982	1-218-961-11	METAL CHIP	4.7K 5% 1/16W
R7624	1-218-970-11	METAL CHIP	27K 5% 1/16W	R7984	1-218-965-11	METAL CHIP	10K 5% 1/16W
R7625	1-218-941-81	METAL CHIP	100 5% 1/16W	R7985	1-218-965-11	METAL CHIP	10K 5% 1/16W
R7626	1-218-953-11	METAL CHIP	1K 5% 1/16W	R7992	1-208-671-11	METAL CHIP	330 0.5% 1/16W
R7627	1-218-953-11	METAL CHIP	1K 5% 1/16W	R7999	1-218-990-81	SHORT CHIP	0
R7628	1-218-953-11	METAL CHIP	1K 5% 1/16W	R8003	1-218-990-81	SHORT CHIP	0
R7634	1-218-965-11	METAL CHIP	10K 5% 1/16W	R8005	1-218-965-11	METAL CHIP	10K 5% 1/16W
R7902	1-218-941-81	METAL CHIP	100 5% 1/16W	R9600	1-218-990-81	SHORT CHIP	0
R7905	1-218-957-11	METAL CHIP	2.2K 5% 1/16W	R9601	1-218-990-81	SHORT CHIP	0
R7907	1-218-961-11	METAL CHIP	4.7K 5% 1/16W	R9602	1-218-990-81	SHORT CHIP	0
R7908	1-218-961-11	METAL CHIP	4.7K 5% 1/16W	R9603	1-216-853-11	METAL CHIP	470K 5% 1/10W
R7910	1-208-943-11	METAL CHIP	220K 0.5% 1/16W	R9604	1-216-853-11	METAL CHIP	470K 5% 1/10W
R7911	1-218-989-11	METAL CHIP	1M 5% 1/16W	R9605	1-218-990-81	SHORT CHIP	0
R7912	1-218-989-11	METAL CHIP	1M 5% 1/16W	R9606	1-218-990-81	SHORT CHIP	0
R7914	1-218-957-11	METAL CHIP	2.2K 5% 1/16W	R9607	1-218-990-81	SHORT CHIP	0
R7916	1-218-959-11	METAL CHIP	3.3K 5% 1/16W	R9610	1-218-990-81	SHORT CHIP	0
R7917	1-218-990-81	SHORT CHIP	0	R9612	1-218-990-81	SHORT CHIP	0
R7918	1-218-958-11	METAL CHIP	2.7K 5% 1/16W	R9614	1-218-990-81	SHORT CHIP	0
R7919	1-208-697-11	METAL CHIP	3.9K 0.5% 1/16W	R9617	1-218-965-11	METAL CHIP	10K 5% 1/16W
R7922	1-218-957-11	METAL CHIP	2.2K 5% 1/16W	R9618	1-216-853-11	METAL CHIP	470K 5% 1/10W
R7924	1-218-969-11	METAL CHIP	22K 5% 1/16W	R9619	1-208-860-81	METAL CHIP	75 0.5% 1/16W
R7926	1-218-989-11	METAL CHIP	1M 5% 1/16W	R9620	1-216-853-11	METAL CHIP	470K 5% 1/10W
R7929	1-218-969-11	METAL CHIP	22K 5% 1/16W	R9621	1-218-945-11	METAL CHIP	220 5% 1/16W
R7931	1-218-949-11	METAL CHIP	470 5% 1/16W	R9622	1-218-945-11	METAL CHIP	220 5% 1/16W
R7932	1-218-949-11	METAL CHIP	470 5% 1/16W	R9623	1-218-953-11	METAL CHIP	1K 5% 1/16W
R7933	1-218-959-11	METAL CHIP	3.3K 5% 1/16W	R9624	1-218-953-11	METAL CHIP	1K 5% 1/16W
R7935	1-218-959-11	METAL CHIP	3.3K 5% 1/16W	R9625	1-218-953-11	METAL CHIP	1K 5% 1/16W
R7937	1-218-965-11	METAL CHIP	10K 5% 1/16W	R9626	1-218-953-11	METAL CHIP	1K 5% 1/16W
R7939	1-218-990-81	SHORT CHIP	0	R9627	1-218-965-11	METAL CHIP	10K 5% 1/16W
R7940	1-218-969-11	METAL CHIP	22K 5% 1/16W	R9628	1-218-965-11	METAL CHIP	10K 5% 1/16W
R7941	1-218-941-81	METAL CHIP	100 5% 1/16W	R9630	1-218-990-81	SHORT CHIP	0
R7943	1-218-990-81	SHORT CHIP	0	R9631	1-218-990-81	SHORT CHIP	0
R7944	1-218-990-81	SHORT CHIP	0	R9632	1-218-990-81	SHORT CHIP	0
R7945	1-218-957-11	METAL CHIP	2.2K 5% 1/16W	R9633	1-216-853-11	METAL CHIP	470K 5% 1/10W
R7948	1-218-990-81	SHORT CHIP	0	R9634	1-216-853-11	METAL CHIP	470K 5% 1/10W
R7950	1-218-941-81	METAL CHIP	100 5% 1/16W	R9635	1-216-809-11	METAL CHIP	100 5% 1/10W
R7951	1-216-864-11	SHORT CHIP	0	R9636	1-218-941-81	METAL CHIP	100 5% 1/16W
R7963	1-218-990-81	SHORT CHIP	0	R9637	1-218-941-81	METAL CHIP	100 5% 1/16W
R7965	1-218-990-81	SHORT CHIP	0	R9639	1-218-933-11	METAL CHIP	22 5% 1/16W
R7966	1-218-990-81	SHORT CHIP	0	R9640	1-218-933-11	METAL CHIP	22 5% 1/16W
R7967	1-218-990-81	SHORT CHIP	0	R9641	1-218-990-81	SHORT CHIP	0
R7969	1-218-990-81	SHORT CHIP	0	R9642	1-218-990-81	SHORT CHIP	0
R7970	1-218-990-81	SHORT CHIP	0	R9643	1-218-990-81	SHORT CHIP	0
R7973	1-218-957-11	METAL CHIP	2.2K 5% 1/16W	R9801	1-218-965-11	METAL CHIP	10K 5% 1/16W
R7974	1-218-933-11	METAL CHIP	22 5% 1/16W	R9811	1-218-945-11	METAL CHIP	220 5% 1/16W

REF.NO.	PART.NO	DESCRIPTION	REMARK	REF.NO.	PART.NO	DESCRIPTION	REMARK
R9812	1-218-953-11	METAL CHIP	1K 5% 1/16W	R9916	1-208-860-81	METAL CHIP	75 0.5% 1/16W
R9813	1-218-953-11	METAL CHIP	1K 5% 1/16W	R9919	1-218-953-11	METAL CHIP	1K 5% 1/16W
R9816	1-216-853-11	METAL CHIP	470K 5% 1/10W	R9920	1-208-909-11	METAL CHIP	8.2K 0.5% 1/16W
R9817	1-216-853-11	METAL CHIP	470K 5% 1/10W	R9921	1-208-911-11	METAL CHIP	10K 0.5% 1/16W
R9818	1-216-853-11	METAL CHIP	470K 5% 1/10W	R9922	1-218-941-81	METAL CHIP	100 5% 1/16W
R9819	1-211-990-11	METAL CHIP	75 0.5% 1/10W	R9923	1-218-990-81	SHORT CHIP	0
R9820	1-216-809-11	METAL CHIP	100 5% 1/10W	R9924	1-218-953-11	METAL CHIP	1K 5% 1/16W
R9821	1-216-853-11	METAL CHIP	470K 5% 1/10W	R9925	1-208-909-11	METAL CHIP	8.2K 0.5% 1/16W
R9822	1-218-969-11	METAL CHIP	22K 5% 1/16W	R9926	1-208-911-11	METAL CHIP	10K 0.5% 1/16W
R9823	1-218-966-11	METAL CHIP	12K 5% 1/16W	R9927	1-218-941-81	METAL CHIP	100 5% 1/16W
R9824	1-216-813-11	METAL CHIP	220 5% 1/10W	R9933	1-208-683-11	METAL CHIP	1K 0.5% 1/16W
R9825	1-218-990-81	SHORT CHIP	0	R9934	1-208-683-11	METAL CHIP	1K 0.5% 1/16W
R9833	1-218-969-11	METAL CHIP	22K 5% 1/16W	R9935	1-218-990-81	SHORT CHIP	0
R9834	1-218-966-11	METAL CHIP	12K 5% 1/16W	R9936	1-218-990-81	SHORT CHIP	0
R9835	1-218-990-81	SHORT CHIP	0	< RESISTOR CHIP >			
R9836	1-218-990-81	SHORT CHIP	0	RB1420	1-234-378-21	RES, NETWORK 10K	(1005X4)
R9837	1-218-953-11	METAL CHIP	1K 5% 1/16W	RB1421	1-234-799-21	RES, CHIP NETWORK 10KX8	(3816)
R9838	1-218-953-11	METAL CHIP	1K 5% 1/16W	RB2001	1-234-799-21	RES, CHIP NETWORK 10KX8	(3816)
R9839	1-216-813-11	METAL CHIP	220 5% 1/10W	RB2002	1-234-378-21	RES, NETWORK 10K	(1005X4)
R9840	1-216-809-11	METAL CHIP	100 5% 1/10W	RB2003	1-234-371-21	RES, NETWORK 47	(1005X4)
R9841	1-216-853-11	METAL CHIP	470K 5% 1/10W	RB2004	1-234-378-21	RES, NETWORK 10K	(1005X4)
R9842	1-218-990-81	SHORT CHIP	0	RB2006	1-239-670-81	RESISTOR, NETWORK 47	
R9843	1-216-853-11	METAL CHIP	470K 5% 1/10W	RB2009	1-234-378-21	RES, NETWORK 10K	(1005X4)
R9844	1-211-990-11	METAL CHIP	75 0.5% 1/10W	RB2010	1-234-371-21	RES, NETWORK 47	(1005X4)
R9845	1-216-853-11	METAL CHIP	470K 5% 1/10W	RB2013	1-234-371-21	RES, NETWORK 47	(1005X4)
R9846	1-218-953-11	METAL CHIP	1K 5% 1/16W	RB2504	1-234-710-21	RES, CHIP NETWORK 47X8	(3816)
R9847	1-218-953-11	METAL CHIP	1K 5% 1/16W	RB2505	1-234-710-21	RES, CHIP NETWORK 47X8	(3816)
R9848	1-216-853-11	METAL CHIP	470K 5% 1/10W	RB2506	1-234-785-21	RES, CHIP NETWORK 100X8	(3816)
R9849	1-218-985-11	METAL CHIP	470K 5% 1/16W	RB2507	1-234-371-21	RES, NETWORK 47	(1005X4)
R9850	1-218-985-11	METAL CHIP	470K 5% 1/16W	RB2508	1-234-711-21	RES, CHIP NETWORK 22X8	(3816)
R9854	1-216-809-11	METAL CHIP	100 5% 1/10W	RB2509	1-234-711-21	RES, CHIP NETWORK 22X8	(3816)
R9855	1-216-809-11	METAL CHIP	100 5% 1/10W	RB2510	1-234-370-21	RES, NETWORK 22	(1005X4)
R9861	1-218-990-81	SHORT CHIP	0	RB2512	1-234-378-21	RES, NETWORK 10K	(1005X4)
R9862	1-216-809-11	METAL CHIP	100 5% 1/10W	RB2513	1-234-378-21	RES, NETWORK 10K	(1005X4)
R9866	1-208-683-11	METAL CHIP	1K 0.5% 1/16W	RB2516	1-234-799-21	RES, CHIP NETWORK 10KX8	(3816)
R9868	1-208-683-11	METAL CHIP	1K 0.5% 1/16W	RB2517	1-234-378-21	RES, NETWORK 10K	(1005X4)
R9869	1-208-683-11	METAL CHIP	1K 0.5% 1/16W	RB2518	1-234-371-21	RES, NETWORK 47	(1005X4)
R9873	1-218-990-81	SHORT CHIP	0	RB2519	1-234-378-21	RES, NETWORK 10K	(1005X4)
R9874	1-218-990-81	SHORT CHIP	0	RB2520	1-234-378-21	RES, NETWORK 10K	(1005X4)
R9875	1-218-990-81	SHORT CHIP	0	RB2521	1-234-378-21	RES, NETWORK 10K	(1005X4)
R9876	1-208-683-11	METAL CHIP	1K 0.5% 1/16W	RB2522	1-234-378-21	RES, NETWORK 10K	(1005X4)
R9877	1-218-990-81	SHORT CHIP	0	RB2523	1-234-799-21	RES, CHIP NETWORK 10KX8	(3816)
R9878	1-218-990-81	SHORT CHIP	0	RB3000	1-234-723-21	RES, NETWORK 75	(1005X4)
R9879	1-218-990-81	SHORT CHIP	0	RB3001	1-234-723-21	RES, NETWORK 75	(1005X4)
R9881	1-208-860-81	METAL CHIP	75 0.5% 1/16W	RB3002	1-234-723-21	RES, NETWORK 75	(1005X4)
R9885	1-208-860-81	METAL CHIP	75 0.5% 1/16W	RB3003	1-234-723-21	RES, NETWORK 75	(1005X4)
R9886	1-208-860-81	METAL CHIP	75 0.5% 1/16W	RB3004	1-234-723-21	RES, NETWORK 75	(1005X4)
R9897	1-218-945-11	METAL CHIP	220 5% 1/16W	RB3006	1-234-369-21	RES, NETWORK 10	(1005X4)
R9898	1-218-945-11	METAL CHIP	220 5% 1/16W	RB3007	1-242-963-21	RES, NETWORK 33	(1005X4)
R9899	1-218-945-11	METAL CHIP	220 5% 1/16W				

REF.NO.	PART.NO	DESCRIPTION	REMARK	REF.NO.	PART.NO	DESCRIPTION	REMARK
RB3008	1-234-891-21	RES, CHIP NETWORK 10X8	(3816)	RB5528	1-234-372-11	RES, NETWORK 100	(1005X4)
RB3009	1-234-891-21	RES, CHIP NETWORK 10X8	(3816)	RB5530	1-234-375-21	RES, NETWORK 1K	(1005X4)
RB3010	1-239-666-81	RESISTOR, NETWORK 22		RB5531	1-234-372-11	RES, NETWORK 100	(1005X4)
RB3011	1-239-666-81	RESISTOR, NETWORK 22		RB5532	1-234-376-11	RES, NETWORK 2.2K	(1005X4)
RB3500	1-234-371-21	RES, NETWORK 47	(1005X4)	RB5533	1-234-376-11	RES, NETWORK 2.2K	(1005X4)
RB3501	1-239-698-11	RESISTOR, NETWORK 10K		RB7001	1-234-378-21	RES, NETWORK 10K	(1005X4)
RB3502	1-234-377-21	RES, NETWORK 4.7K	(1005X4)	RB7002	1-234-372-11	RES, NETWORK 100	(1005X4)
RB3503	1-234-371-21	RES, NETWORK 47	(1005X4)	RB7003	1-234-372-11	RES, NETWORK 100	(1005X4)
RB3504	1-234-371-21	RES, NETWORK 47	(1005X4)	RB7004	1-234-372-11	RES, NETWORK 100	(1005X4)
RB3802	1-234-799-21	RES, CHIP NETWORK 10X8	(3816)	RB7005	1-234-882-21	RES, CHIP NETWORK 47KX8	(3816)
RB3803	1-234-378-21	RES, NETWORK 10K	(1005X4)	RB7007	1-234-882-21	RES, CHIP NETWORK 47KX8	(3816)
RB3804	1-234-710-21	RES, CHIP NETWORK 47X8	(3816)	RB7008	1-234-378-21	RES, NETWORK 10K	(1005X4)
RB3805	1-234-710-21	RES, CHIP NETWORK 47X8	(3816)	RB7009	1-234-380-21	RES, NETWORK 47K	(1005X4)
RB3806	1-234-371-21	RES, NETWORK 47	(1005X4)	RB7013	1-234-379-21	RES, NETWORK 22K	(1005X4)
RB3807	1-234-378-21	RES, NETWORK 10K	(1005X4)	RB7301	1-234-381-11	RES, NETWORK 100K	(1005X4)
RB3809	1-234-378-21	RES, NETWORK 10K	(1005X4)	RB7302	1-234-372-11	RES, NETWORK 100	(1005X4)
RB3810	1-234-371-21	RES, NETWORK 47	(1005X4)	RB7303	1-234-381-11	RES, NETWORK 100K	(1005X4)
RB3811	1-234-371-21	RES, NETWORK 47	(1005X4)	RB7304	1-234-375-21	RES, NETWORK 1K	(1005X4)
RB3812	1-234-710-21	RES, CHIP NETWORK 47X8	(3816)	RB7305	1-234-723-21	RES, NETWORK 75	(1005X4)
RB4200	1-234-372-11	RES, NETWORK 100	(1005X4)	RB7306	1-234-375-21	RES, NETWORK 1K	(1005X4)
RB4201	1-234-372-11	RES, NETWORK 100	(1005X4)	RB7307	1-234-373-21	RES, NETWORK 220	(1005X4)
RB4203	1-234-372-11	RES, NETWORK 100	(1005X4)	RB7308	1-234-381-11	RES, NETWORK 100K	(1005X4)
RB4204	1-234-372-11	RES, NETWORK 100	(1005X4)	RB7310	1-234-373-21	RES, NETWORK 220	(1005X4)
RB4401	1-234-711-21	RES, CHIP NETWORK 22X8	(3816)	RB7311	1-234-381-11	RES, NETWORK 100K	(1005X4)
RB4503	1-239-662-81	RESISTOR, NETWORK 10		RB7312	1-234-373-21	RES, NETWORK 220	(1005X4)
RB4504	1-234-371-21	RES, NETWORK 47	(1005X4)	RB7313	1-234-373-21	RES, NETWORK 220	(1005X4)
RB5000	1-234-710-21	RES, CHIP NETWORK 47X8	(3816)	RB7401	1-234-372-11	RES, NETWORK 100	(1005X4)
RB5001	1-234-371-21	RES, NETWORK 47	(1005X4)	RB7402	1-234-378-21	RES, NETWORK 10K	(1005X4)
RB5501	1-234-376-11	RES, NETWORK 2.2K	(1005X4)	RB7403	1-234-378-21	RES, NETWORK 10K	(1005X4)
RB5502	1-234-372-11	RES, NETWORK 100	(1005X4)	RB7406	1-234-375-21	RES, NETWORK 1K	(1005X4)
RB5503	1-234-372-11	RES, NETWORK 100	(1005X4)	RB7600	1-239-674-81	RESISTOR, NETWORK 100	
RB5505	1-234-372-11	RES, NETWORK 100	(1005X4)	RB7601	1-239-674-81	RESISTOR, NETWORK 100	
RB5506	1-234-785-21	RES, CHIP NETWORK 100X8	(3816)	RB7602	1-239-674-81	RESISTOR, NETWORK 100	
RB5507	1-234-372-11	RES, NETWORK 100	(1005X4)	RB7603	1-239-706-81	RESISTOR, NETWORK 47K	
RB5508	1-234-372-11	RES, NETWORK 100	(1005X4)	RB7604	1-239-706-81	RESISTOR, NETWORK 47K	
RB5509	1-234-376-11	RES, NETWORK 2.2K	(1005X4)	RB7605	1-239-706-81	RESISTOR, NETWORK 47K	
RB5510	1-234-710-21	RES, CHIP NETWORK 47X8	(3816)	RB7606	1-234-378-21	RES, NETWORK 10K	(1005X4)
RB5512	1-234-372-11	RES, NETWORK 100	(1005X4)	RB7607	1-239-674-81	RESISTOR, NETWORK 100	
RB5513	1-234-372-11	RES, NETWORK 100	(1005X4)	RB7608	1-239-706-81	RESISTOR, NETWORK 47K	
RB5514	1-234-372-11	RES, NETWORK 100	(1005X4)	RB7610	1-239-690-81	RESISTOR, NETWORK 2.2K	
RB5516	1-234-375-21	RES, NETWORK 1K	(1005X4)	RB7901	1-234-372-11	RES, NETWORK 100	(1005X4)
RB5518	1-234-372-11	RES, NETWORK 100	(1005X4)	RB7902	1-234-785-21	RES, CHIP NETWORK 100X8	(3816)
RB5519	1-234-375-21	RES, NETWORK 1K	(1005X4)	RB7903	1-234-372-11	RES, NETWORK 100	(1005X4)
RB5520	1-234-378-21	RES, NETWORK 10K	(1005X4)	RB7904	1-239-690-81	RESISTOR, NETWORK 2.2K	
RB5521	1-234-378-21	RES, NETWORK 10K	(1005X4)	RB7906	1-239-690-81	RESISTOR, NETWORK 2.2K	
RB5522	1-234-375-21	RES, NETWORK 1K	(1005X4)	RB7907	1-234-378-21	RES, NETWORK 10K	(1005X4)
RB5524	1-234-375-21	RES, NETWORK 1K	(1005X4)	RB7908	1-234-370-21	RES, NETWORK 22	(1005X4)
RB5525	1-234-375-21	RES, NETWORK 1K	(1005X4)				
RB5526	1-234-375-21	RES, NETWORK 1K	(1005X4)				
RB5527	1-234-372-11	RES, NETWORK 100	(1005X4)				

REF.NO.	PART.NO	DESCRIPTION	REMARK	REF.NO.	PART.NO	DESCRIPTION	REMARK
< VARISTOR >				<b>A-1671-630-A HSN Board, Complete</b>			
VD3500	1-802-090-21	VARISTOR, CHIP		< CAPACITOR >			
VD5502	1-802-090-21	VARISTOR, CHIP		C401	1-112-068-11	CERAMIC CHIP 220PF	10% 50V
VD5503	1-802-090-21	VARISTOR, CHIP		C402	1-100-909-11	CERAMIC CHIP 10UF	10% 6.3V
VD5504	1-802-090-21	VARISTOR, CHIP		C404	1-100-916-11	CERAMIC CHIP 0.1UF	10% 16V
VD5505	1-802-090-21	VARISTOR, CHIP		C405	1-114-399-21	ELECT CHIP 47UF	20% 6.3V
VD9601	1-802-090-21	VARISTOR, CHIP		C406	1-114-130-11	CERAMIC CHIP 1UF	10% 6.3V
VD9602	1-802-090-21	VARISTOR, CHIP		< CONNECTOR >			
VD9603	1-802-090-21	VARISTOR, CHIP		CN401	*1-821-132-11	HEADER ASSEMBLY FOR PWB 5P	
VD9604	1-802-090-21	VARISTOR, CHIP		< DIODE >			
VD9605	1-802-090-21	VARISTOR, CHIP		D402	6-501-732-01	DIODE MAZ8056G0LS0	
VD9617	1-802-090-21	VARISTOR, CHIP		< IC >			
VD9834	1-802-090-21	VARISTOR, CHIP		IC401	6-600-681-01	IC RS-770N	
VD9835	1-802-090-21	VARISTOR, CHIP		IC402	6-600-680-01	PHOTO DIODE BH1690FVC-TR	
VD9836	1-802-090-21	VARISTOR, CHIP		< TRANSISTOR >			
< CRYSTAL >				Q401	6-551-775-01	TR 2SA2122G0LS0	
X2000	1-814-253-11	QUARTZ CRYSTAL UNIT		< RESISTOR >			
X3500	1-814-147-11	QUARTZ CRYSTAL OSCILLATOR		R401	1-218-949-11	METAL CHIP 470 5%	1/16W
X3501	1-814-252-11	PIEZOELECTRIC OSCILLATOR 30MHZ		R402	1-218-937-11	METAL CHIP 47 5%	1/16W
X5500	1-813-070-21	PIEZOELECTRIC OSCILLATOR		R403	1-218-990-81	SHORT CHIP 0	
X5501	1-813-784-21	VIBRATOR, CRYSTAL		R404	1-218-955-11	METAL CHIP 1.5K 5%	1/16W
X7001	1-814-267-11	QUARTZ CRYSTAL UNIT		R406	1-218-990-81	SHORT CHIP 0	
<b>A-1671-628-A HL1A Board, Complete</b>				R407	1-218-979-11	METAL CHIP 150K 5%	1/16W
< CAPACITOR >				R408	1-218-965-11	METAL CHIP 10K 5%	1/16W
C304	1-100-916-11	CERAMIC CHIP 0.1UF	10% 16V	R409	1-218-971-11	METAL CHIP 33K 5%	1/16W
< CONNECTOR >				R411	1-218-953-11	METAL CHIP 1K 5%	1/16W
CN301	*1-821-147-11	HEADER ASSEMBLY FOR PWB 7P		< DIODE >			
< DIODE >				D302	6-502-294-01	DI SML-D13M8WT86S	
D302	6-502-294-01	DI SML-D13M8WT86S		D303	6-502-598-01	DI SML-D12U8WT86	
D303	6-502-598-01	DI SML-D12U8WT86		D306	6-502-294-01	DI SML-D13M8WT86S	
D306	6-502-294-01	DI SML-D13M8WT86S		D310	6-502-598-01	DI SML-D12U8WT86	
D310	6-502-598-01	DI SML-D12U8WT86		< TRANSISTOR >			
< TRANSISTOR >				Q301	6-551-815-01	TR UNR52A1G0LS0	
Q301	6-551-815-01	TR UNR52A1G0LS0		Q302	6-551-815-01	TR UNR52A1G0LS0	
Q302	6-551-815-01	TR UNR52A1G0LS0		Q303	6-551-815-01	TR UNR52A1G0LS0	
Q303	6-551-815-01	TR UNR52A1G0LS0		Q305	6-551-815-01	TR UNR52A1G0LS0	
Q305	6-551-815-01	TR UNR52A1G0LS0		< RESISTOR >			
< RESISTOR >				R301	1-208-675-11	METAL CHIP 470 0.5%	1/16W
R301	1-208-675-11	METAL CHIP 470 0.5%	1/16W	R302	1-218-958-11	METAL CHIP 2.7K 5%	1/16W
R302	1-218-958-11	METAL CHIP 2.7K 5%	1/16W	R303	1-208-675-11	METAL CHIP 470 0.5%	1/16W
R303	1-208-675-11	METAL CHIP 470 0.5%	1/16W	R305	1-208-683-11	METAL CHIP 1K 0.5%	1/16W
R305	1-208-683-11	METAL CHIP 1K 0.5%	1/16W				

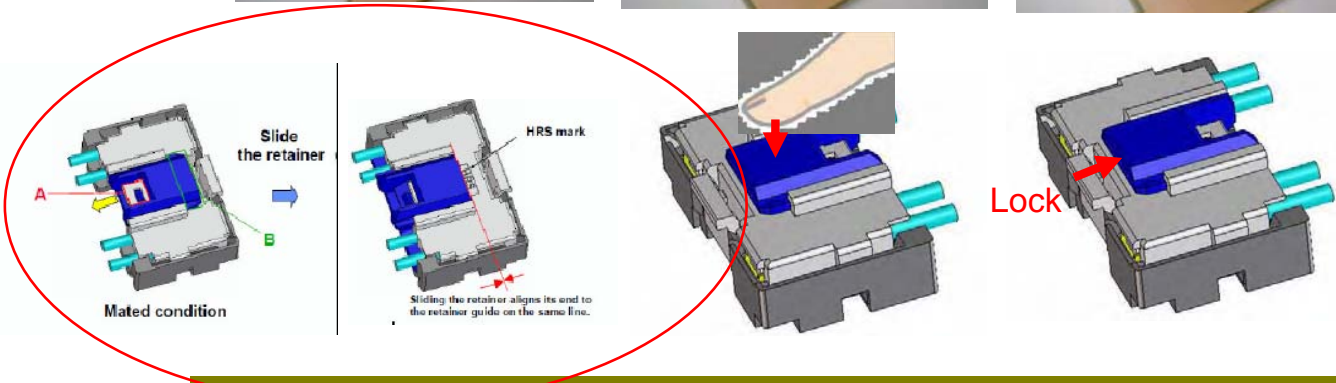
REF.NO.	PART.NO	DESCRIPTION	REMARK	REF.NO.	PART.NO	DESCRIPTION	REMARK
<b>Ver 3.0</b>				<b>52 INCHES</b>			
<b>32 INCHES</b>							
	*1-910-054-52	CONNECTOR ASSY 14P (INV (CN01) - G2 (CN02) -BA (CN1301))		*1-835-715-11	CONNECTOR ASSY 2P (D5 (CN6600) -G5))		
	*1-910-054-53	CONNECTOR ASSY 13P (G2 (CN3) -BA (CN1300))		*1-836-138-11	CONNECTOR ASSY 2P (G5-D6 (CN6900))		
	*1-910-055-75	MULTI HARNESS SPK ASSY (BA (CN5503/7201) -HSN (CN401) - HL1A (CN301) -SWITCH UNIT-SPK' s)		*1-836-417-21	CONNECTOR ASSY, MDF61 (BALANCER-D5 (CN6700))		
	1-836-672-11	LEAD WIRE CONNECTOR (LVDS) (TCON-BA (CN4501))		*1-836-418-21	CONNECTOR ASSY, MDF61 (BALANCER-D6 (CN6951))		
<b>37 INCHES</b>							
	*1-910-054-57	CONNECTOR ASSY 13P (G4- BA (CN1300))		*1-910-054-68	HARNESS ASSY (7P/13P) (G5-BA (CN1300 / CN1301))		
	*1-910-054-58	CONNECTOR ASSY 14P (INVERTER-G4-BA (CN1301))		*1-910-054-72	CONNECTOR ASSY 8P (D5 (CN6702) -G5)		
	*1-910-055-76	MULTI HARNESS SPK ASSY (BA (CN5503/7201) - HSN (CN401) - HL1A (CN301) -SWITCH UNIT-SPK' s)		*1-910-054-73	CONNECTOR ASSY 10P (D5 (CN6703) -D6 (CN6950))		
	1-836-671-11	LEAD WIRE CONNECTOR (LVDS) (TCON-BA (CN4501))		*1-910-054-74	CONNECTOR ASSY 7P (INV-D5 (CN6701))		
<b>40 INCHES</b>							
	*1-836-420-21	CONNECTOR ASSY, MDF61 (INV-IP1 (CN6700))		*1-910-055-81	MULTI HARNESS SPEAKER ASSY (BA (CN5503/7201) -HSN (CN401) - HL1A (CN301) -SWITCH UNIT-SPK' s)		
	*1-910-054-60	CONNECTOR ASSY 7P (INV-IP1 (CN6701))		1-836-669-11	LEAD WIRE CONNECTOR (LVDS) (TCON-BA (CN4501))		
	*1-910-054-61	HARNESS ASSY (5P/13P) (IP1 (CN6150/CN6154) - BA (CN1300/CN1301))		<b>INSTRUCTION MANUAL</b>			
	*1-910-055-77	MULTI HARNESS SPK ASSY (BA (CN5503/7201) -HSN (CN401) - HL1A (CN301) -SWITCH UNIT-SPK' s)		*4-136-111-11	INSTRUCTION MANUAL (U) ENGLISH		
	1-836-654-11	LEAD WIRE CONNECTOR (LVDS) (TCON-BA (CN4501))		*4-136-111-21	INSTRUCTION MANUAL (E) FRENCH/ITALIAN/ GERMAN/DUTCH/SPANISH/PORTUGUESE		
<b>46 INCHES</b>							
	*1-836-419-21	CONNECTOR ASSY, MDF61 (BALANCER-IP2 (CN6700))		*4-136-111-31	INSTRUCTION MANUAL (K) DANISH/NORWEGIAN/ SWEDISH/FINNISH/POLISH/ROMANIAN		
	*1-910-054-57	CONNECTOR ASSY 13P (IP2 (CN6150) -BA (CN1300))		*4-136-111-41	INSTRUCTION MANUAL (K) HUNGARIAN/CZECH/ GREEK/SLOVAK/TURKISH/BULGARIAN		
	*1-910-054-64	CONNECTOR ASSY 7P (BALANCER-IP2 (CN6701))		*4-136-111-51	INSTRUCTION MANUAL (R) RUSSIAN/UKRAINIAN		
	*1-910-054-66	CONNECTOR ASSY 8P (IP2 (CN6154) -BA (CN1301))		<b>REMOTE COMMANDER</b>			
	*1-910-055-79	MULTI HARNESS SPK ASSY (BA (CN5503/7201) - HSN (CN401) - HL1A (CN301) -SWITCH UNIT-SPK' s)		1-487-228-11	REMOTE COMMANDER (RM-ED016)		
	1-836-655-11	LEAD WIRE CONNECTOR (LVDS) (TCON-BA (CN4501))					



# Attachment of HIROSE MDF 61 connector

## 1. Insertion

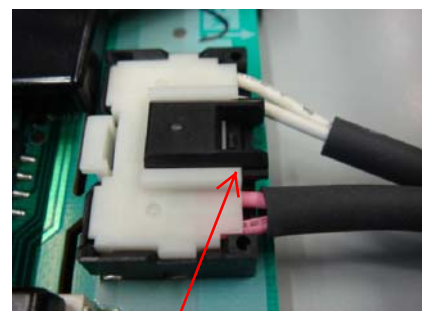
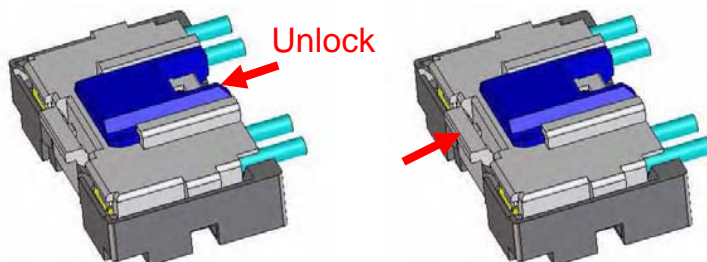
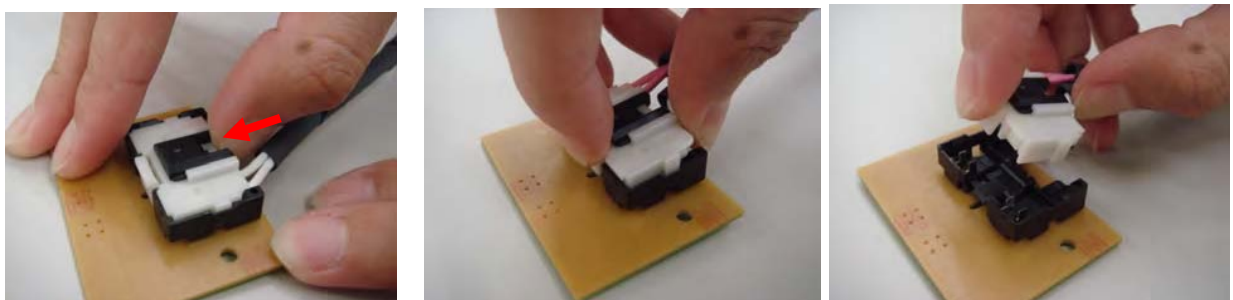
- (1) Hold the center of a connector
- (2) Press the center of the connector to insert it
- (3) Slide the slider to lock the connector



# Detachment of HIROSE MDF61 connector

## 2. Detachment

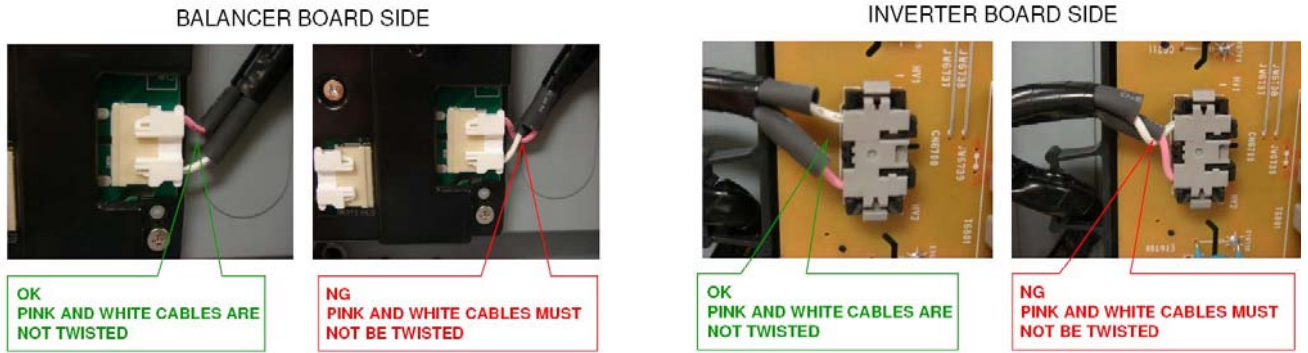
- (1) Slide the slider to release the slider lock
- (2) Press the center lock tab to release the lock and pull the connector up



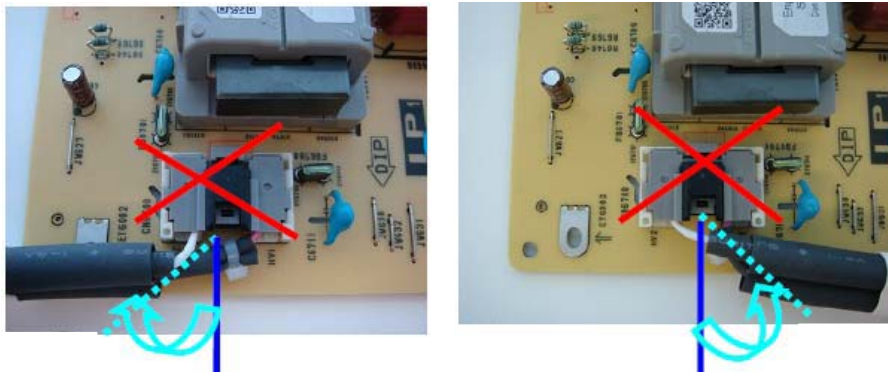
locked state



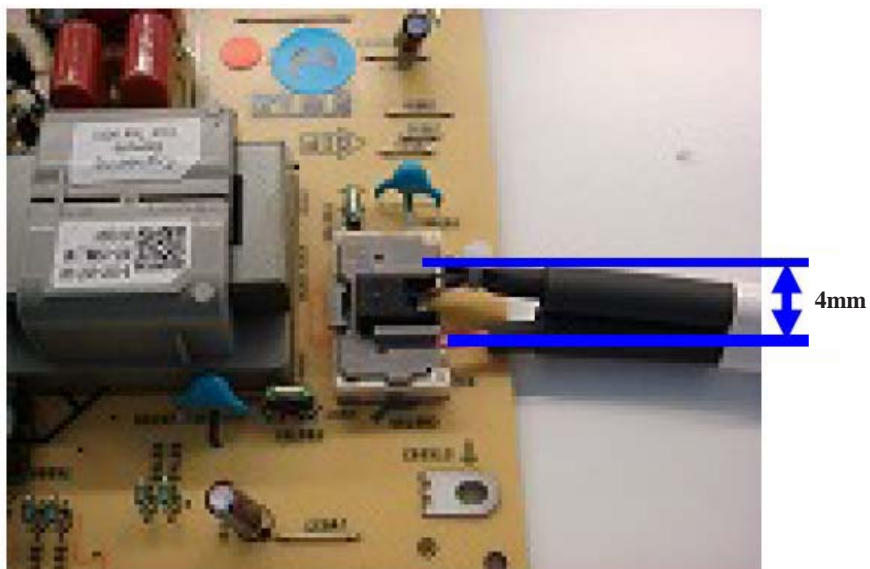
When replacing the MDF61 connector please ensure the wires are not crossed or twisted (See photos below).



When replacing the MDF61 connector ensure the harness does not bend more than 45 degrees from the direction of the connector base to avoid crossing or twisting (See photos below).

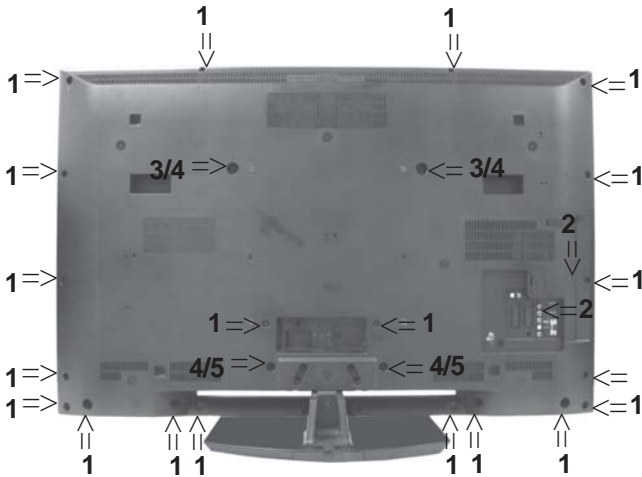


Finally ensure the distance between each wire is greater than 4mm as this assures isolation from the lamp voltage (See photo below).



## Appendix-B

### Rear Cover Removal (Step 1)

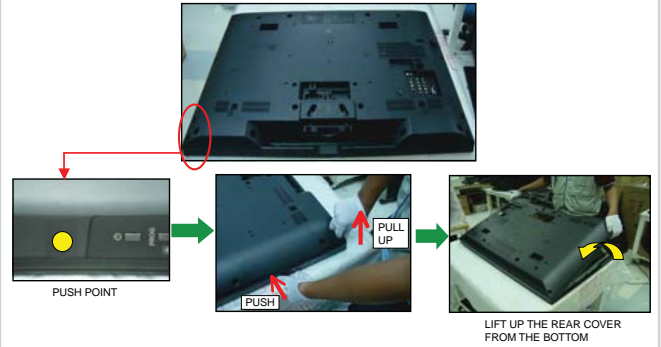


Remove the rear cover fixing screws indicated and then push the 'Rear cover' in by the side controls whilst lifting the 'Rear Cover' up from the bottom (See Step 2).

#### Screw Part number(s) and Description(s)

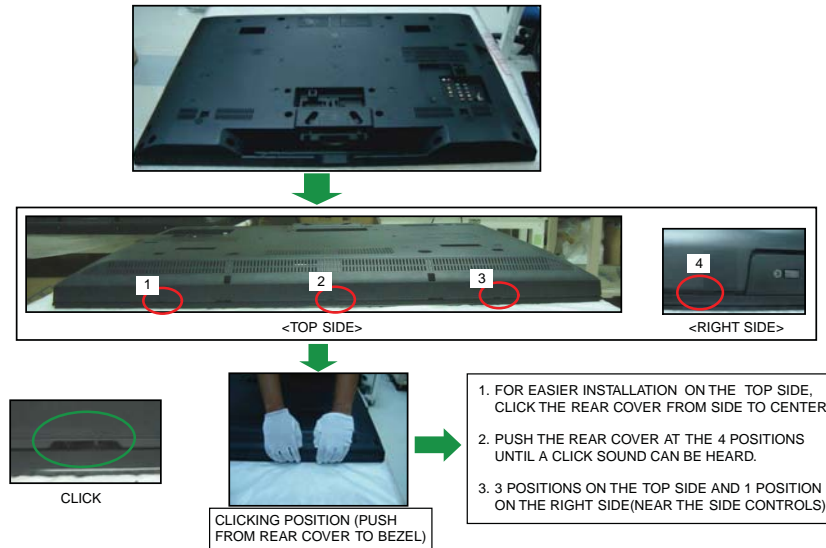
- |                 |                    |                                |
|-----------------|--------------------|--------------------------------|
| 1) 2-580-640-01 | SCREW, +BVTP2 4X16 | (32" = 15pcs, 37" = 17pcs)     |
| 2) 7-685-648-79 | SCREW, +BVTP 3X12  | 40" = 18pcs, 46/52" = 20pcs)   |
| 3) 2-580-600-01 | SCREW, +PSW M4X8   | (32" = 2pcs)                   |
| 4) 2-580-602-01 | SCREW, +PSW M4X12  | (37/40/46" = 4pcs, 52" = 2pcs) |
| 5) 2-580-606-01 | SCREW, +PSW M5X8   | (52" = 2pcs)                   |

### Rear Cover Removal (Step 2)



To remove the 'Rear Cover' push the 'Rear Cover' in by the side controls whilst lifting the 'Rear Cover' up from the bottom.

### Rear Cover Installation



To install the 'Rear Cover' push the 4 positions indicated until a click sound can be heard. To ease installation on the top side of the 'Rear Cover' work from the sides in.