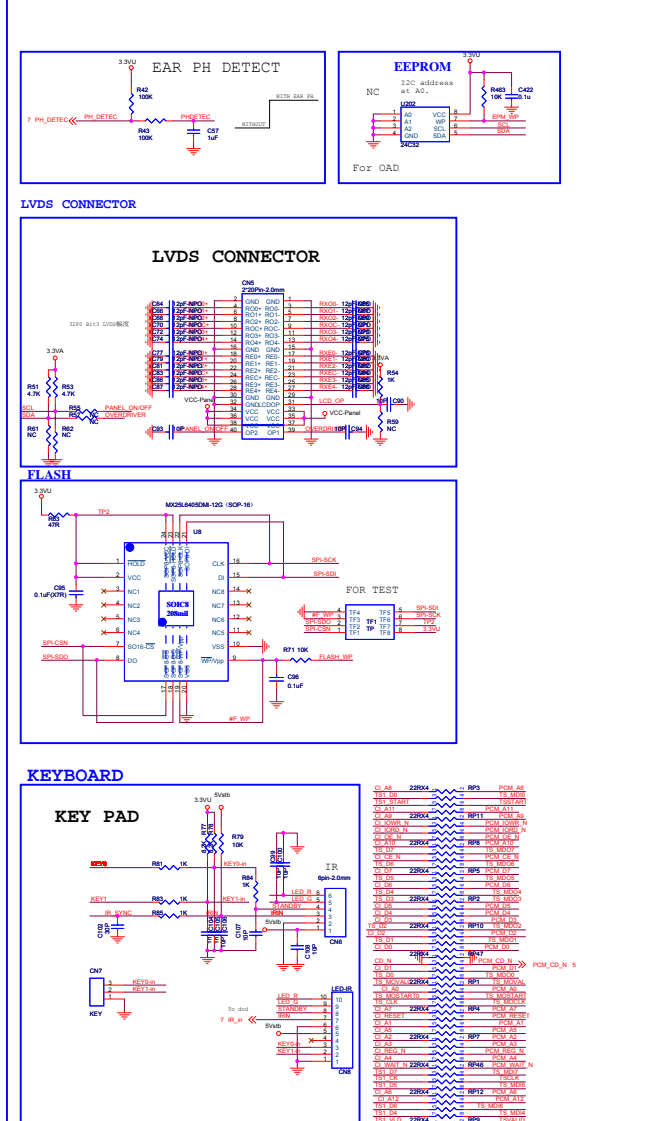
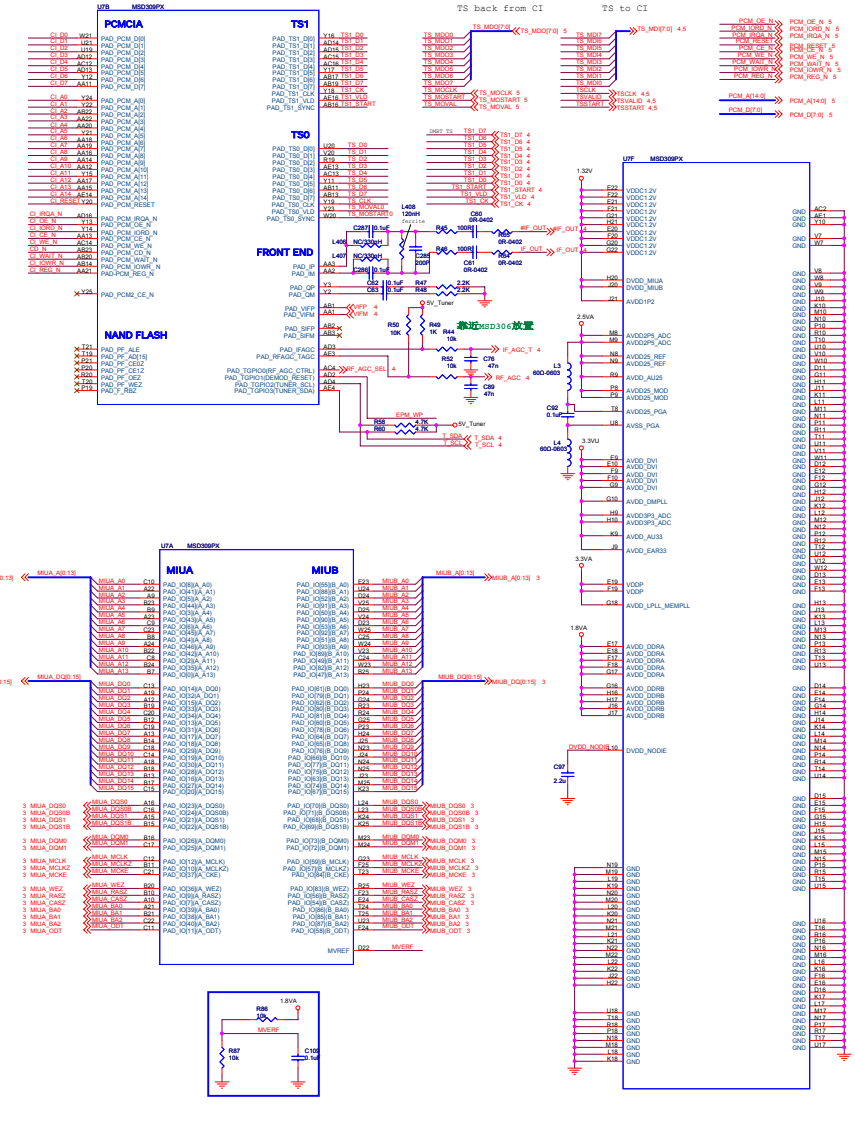
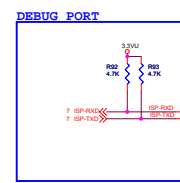
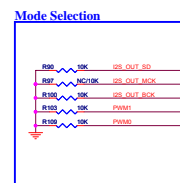
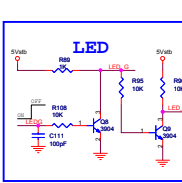
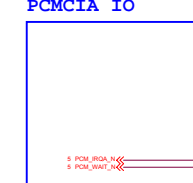
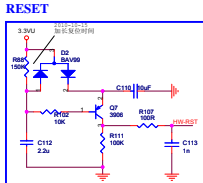
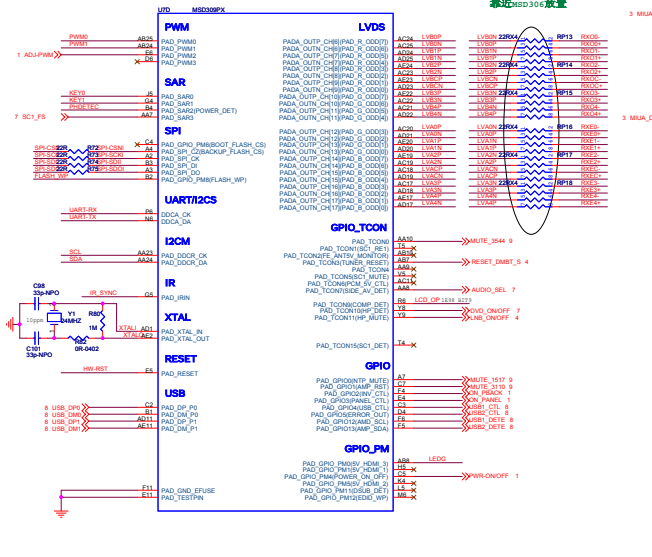
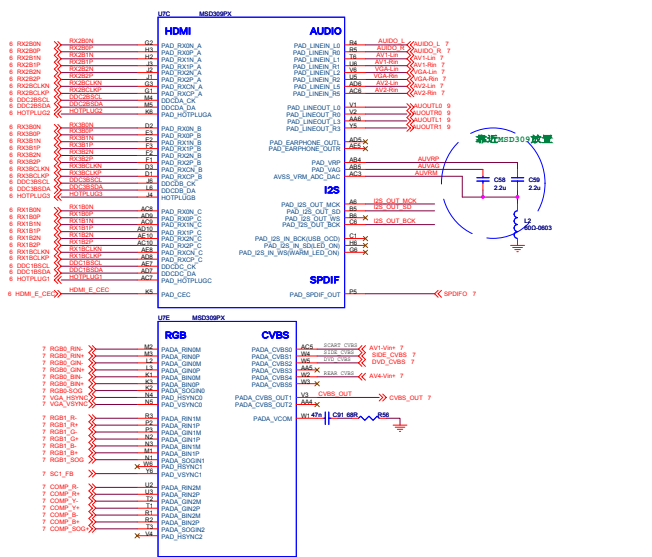


升级为D版, 基于MSDV3209-ZC01-01(C) 0722有如下变更:  
NOTE1:删除R1,C283; 增加L102,C19  
NOTE2:增加C935; 靠近主芯片(板底)

D版改板, 基于MSDV3209-ZC01-01(C) 2010.12.29变更:  
NOTE1:C19由贴片(10uF)改为电解电容(220uF)

<b>Mstar</b> 深圳市高新区南区科技南十路国际技术创新研究院C栋4楼	
TEL:0755-26996895 FAX:0755-26996830	
Title	POWER
Size	Document Number
Date	Tuesday, February 22, 2011
Sheet	1 of 9
Rev	1.0



**MStar**

星洲新加坡在星洲科技十周年纪念册研究中心

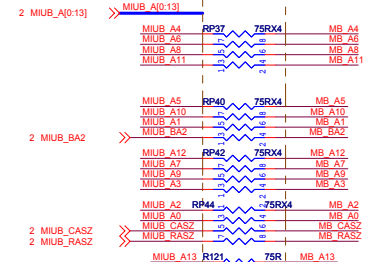
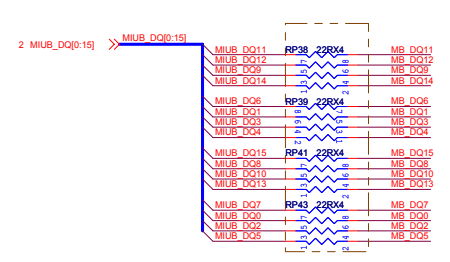
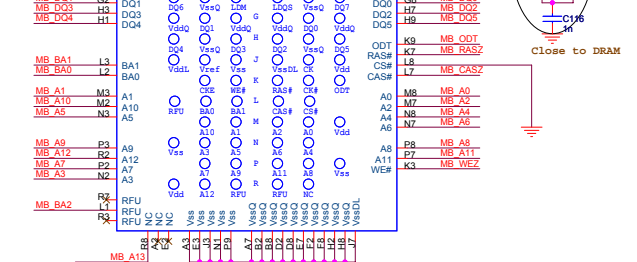
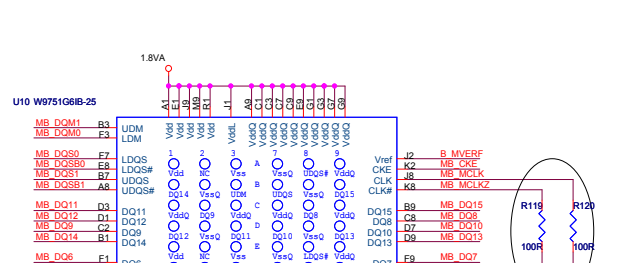
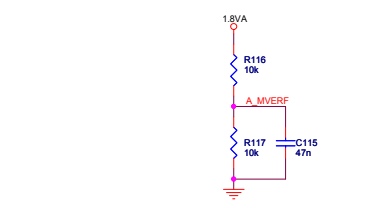
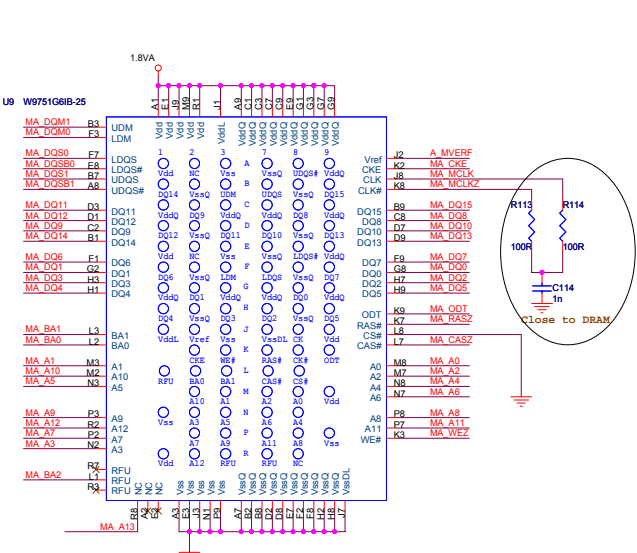
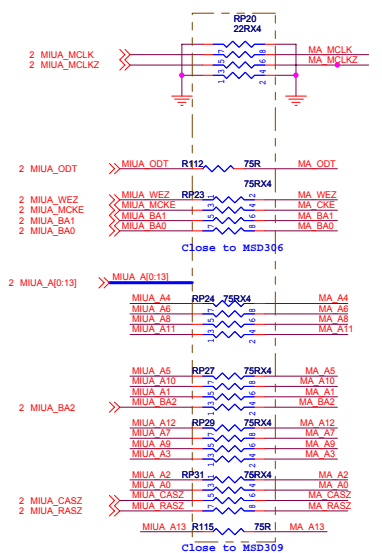
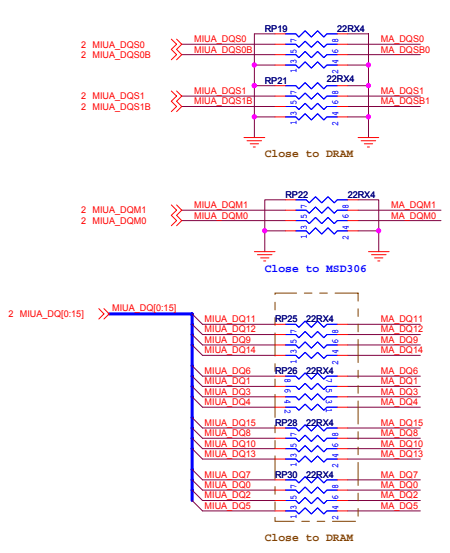
TEL: 0755-26866655 FAX: 0755-26866650

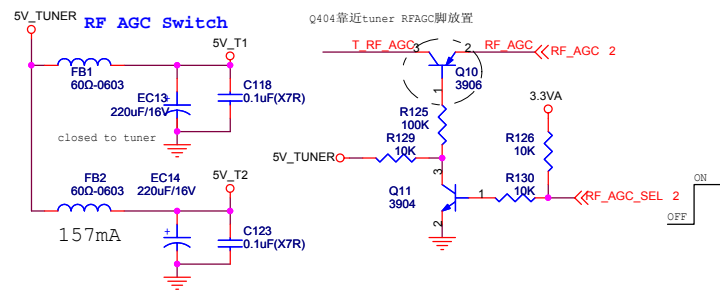
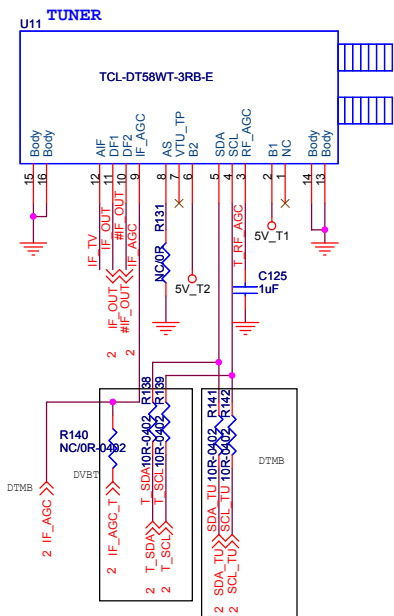
MSD309PX

Document Number: MSD309PX

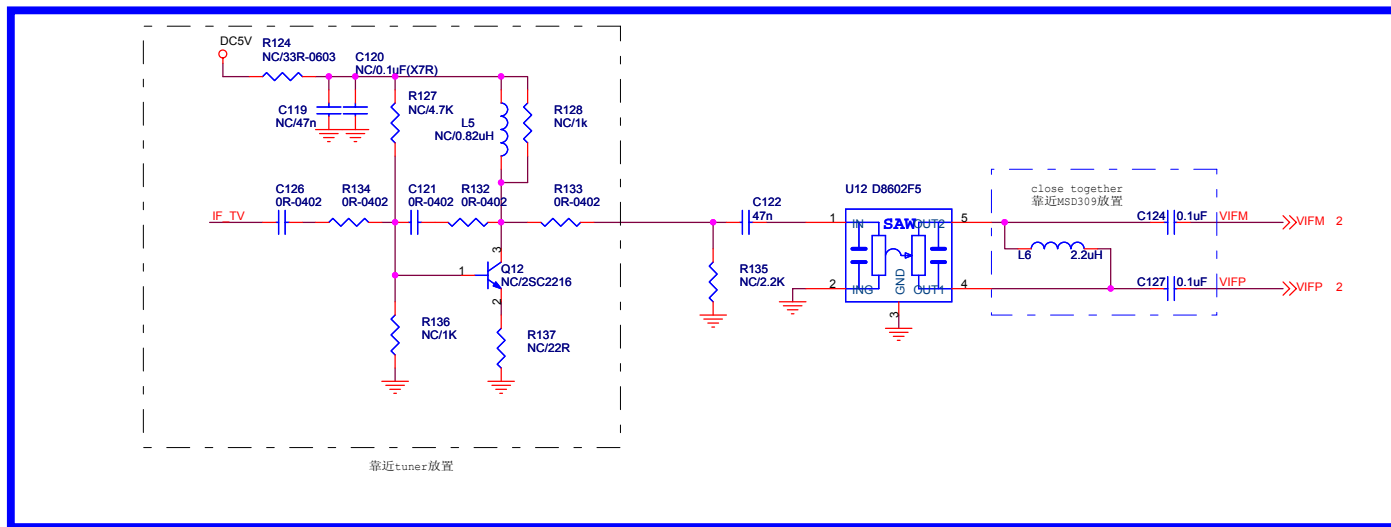
Rev: 1.0

Copyright © MStar Semiconductor, Inc. 2011



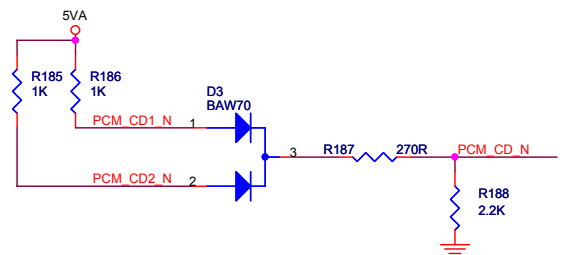
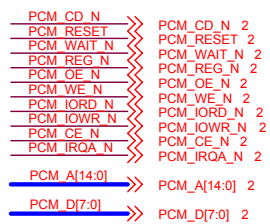
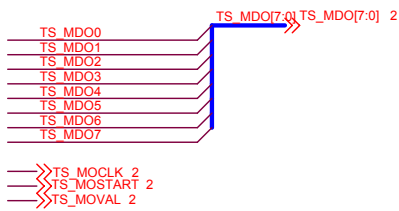
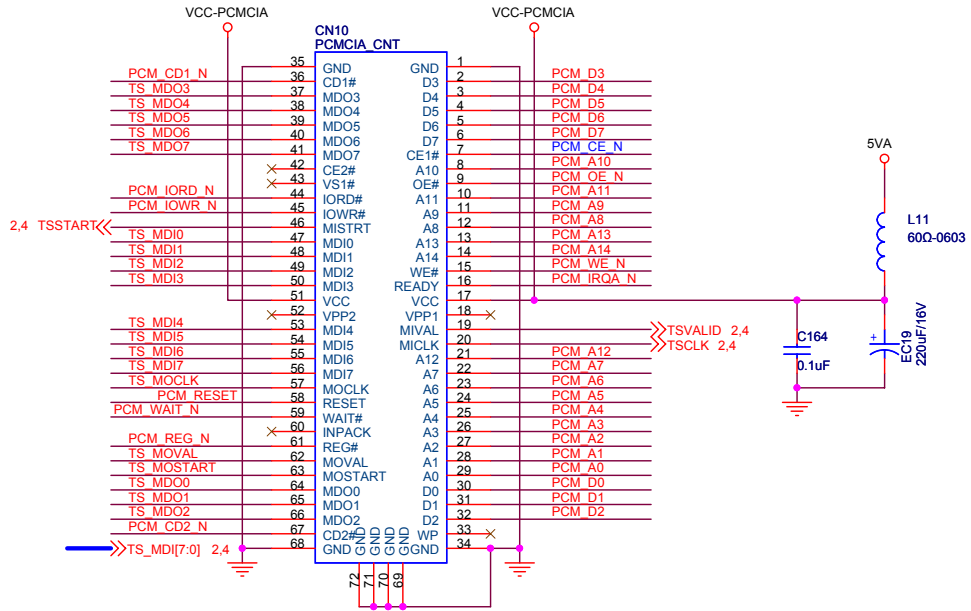


**SAW Drive**



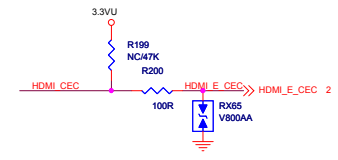
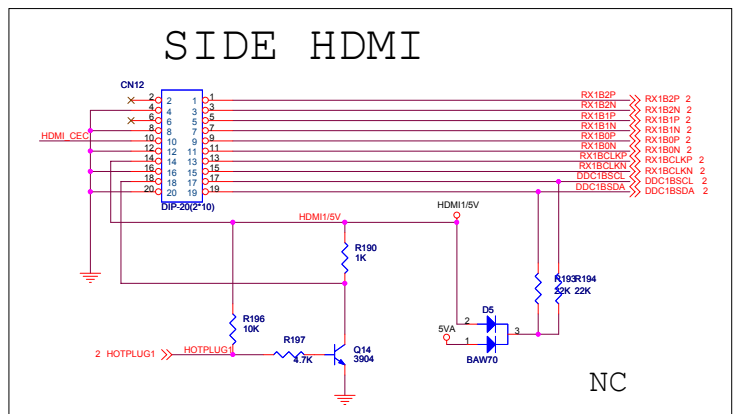
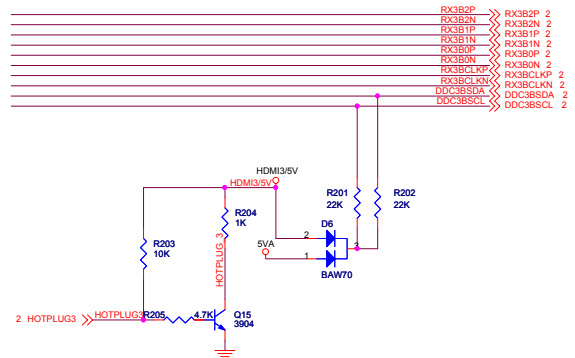
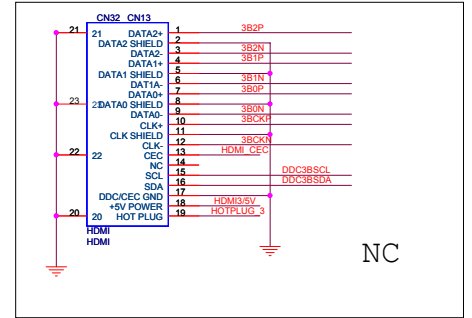
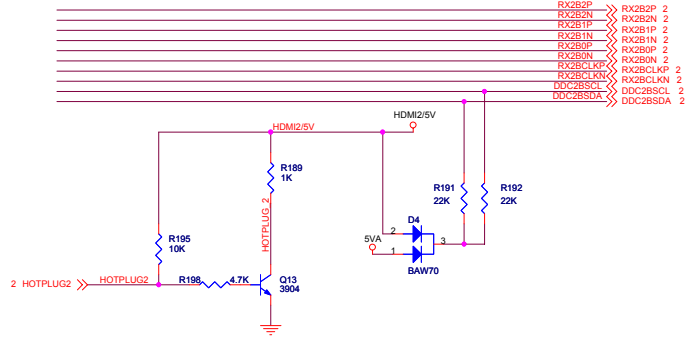
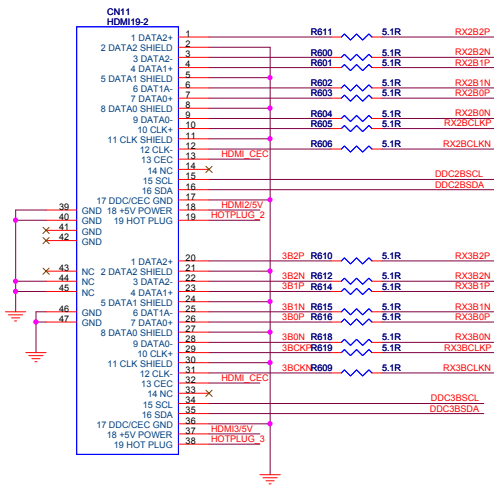
<b>Mstar</b> semiconductor		深圳市高新区南区科技南十路国际技术创新研究院C座4楼	
		TEL:0755-26996895 FAX:0755-26996830	
Title: TUNER			
Size	Document Number		Rev: 1.0
Date:	Monday, February 21, 2011	Sheet 4 of 9	

FOR EUROPE



深圳市高新区南区科技南十路国际技术创新研究院C座4楼  
**MStar** semiconductor  
 TEL:0755-26996895 FAX:0755-26996830

Title		PCMCIA
Size	Document Number	Rev 1.0
Date:	Monday, February 21, 2011	Sheet 5 of 9

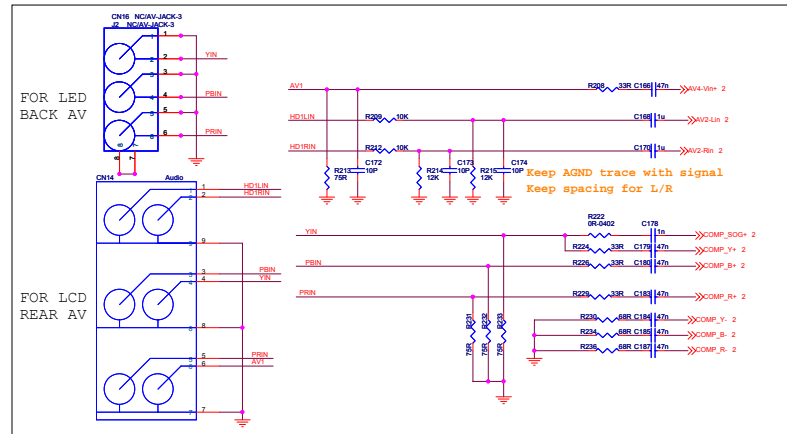
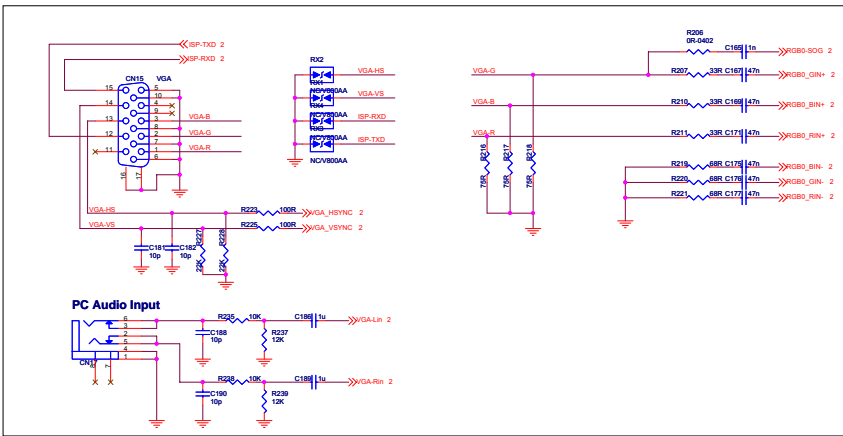


**Mstar**  
semiconductor

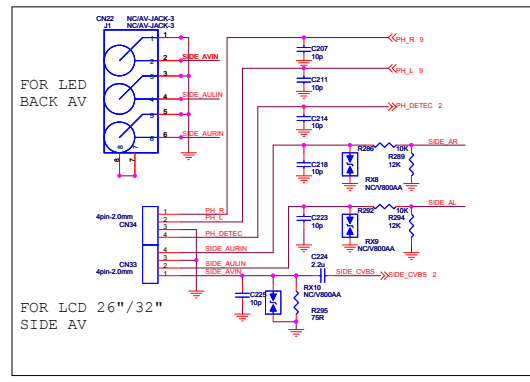
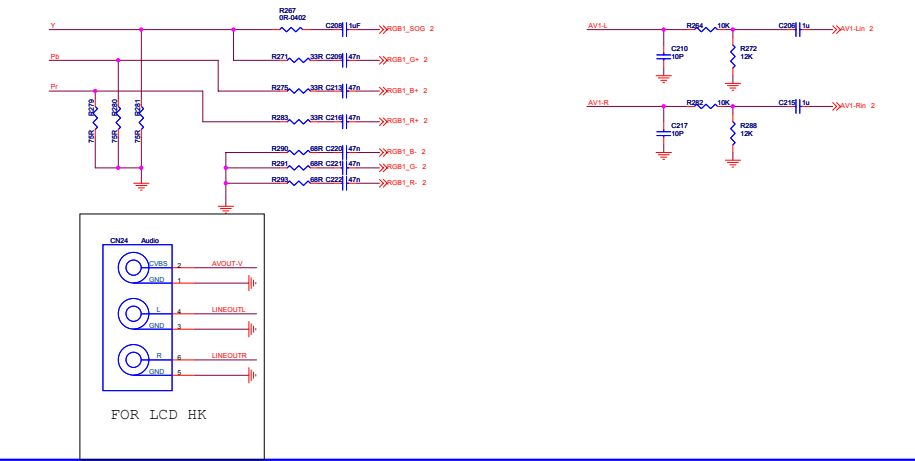
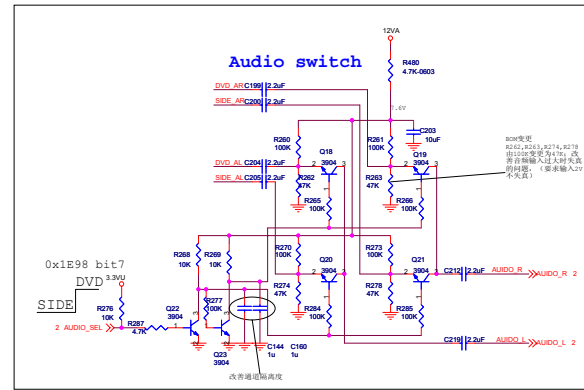
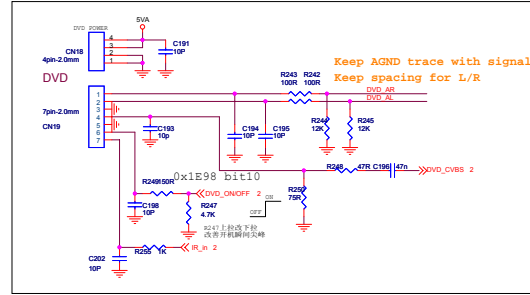
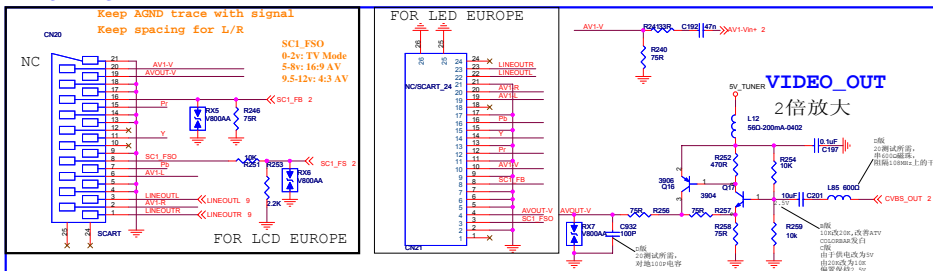
深圳市高新区南区科技南十路国际技术创新研究院C座4楼  
TEL:0755-26966895 FAX:0755-26966830

File		HDMI	
Size	Document Number	Rev 1.0	
Date	Friday, February 25, 2011	Sheet	6 of 9

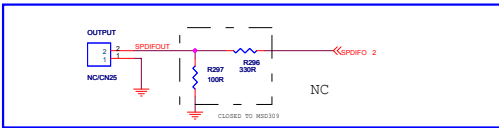
### VGA INPUT



### FULL SCART



### SPDIF Output

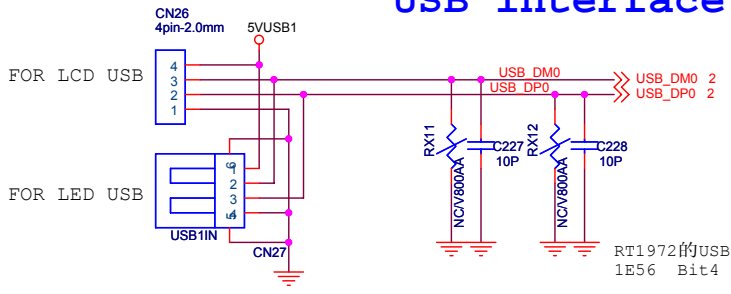


升级为D版，基于MSDV3209-2C01-01(C)0722有如下变更：  
NOTE1: 删R67, EC20; 增加C932(100PF); 增L85(600欧, 0603磁珠)

### SIDE CVBS+S\_Video Input

Mstar		深圳市高新区南园村科技园十路网络技术创新研究中心4楼	
SILICON MICROSYSTEMS		TEL: 0755-26998955 FAX: 0755-26998930	
Part	AV18	Rev	1.0
Doc	Document Number	Rev	1.0
Date	Feb 25, 2011	Sheet	7 of 9

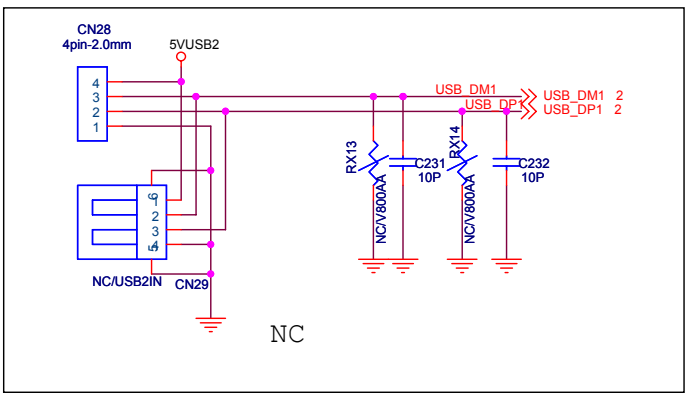
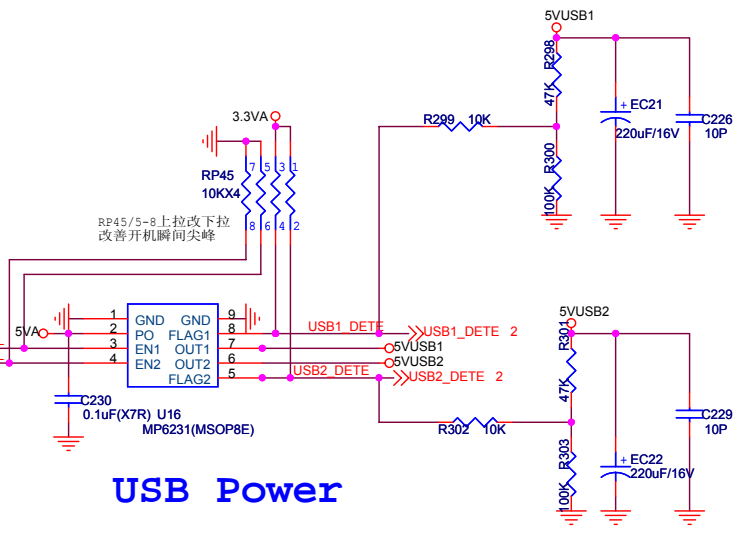
# USB Interface



RT1972的USB1\_CTL:  
1E56 Bit4 置低;

2 USB1\_CTL <<< USB1\_CTL  
2 USB2\_CTL <<< USB2\_CTL

# USB Power



**Mstar**  
semiconductor

深圳市高新区南区科技南十路国际技术创新研究院C座4楼  
TEL:0755-26996895 FAX:0755-26996830

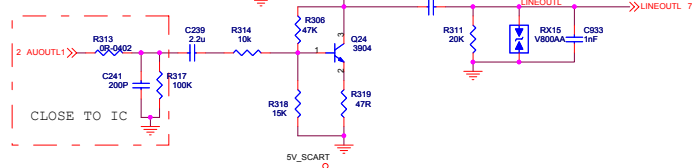
Title: USB

Size	Document Number	Rev
		1.0

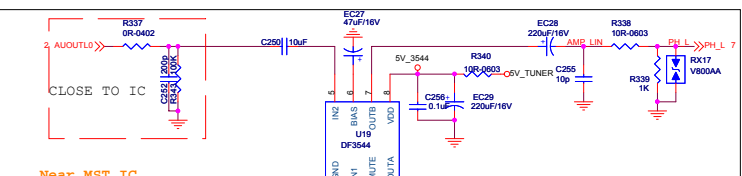
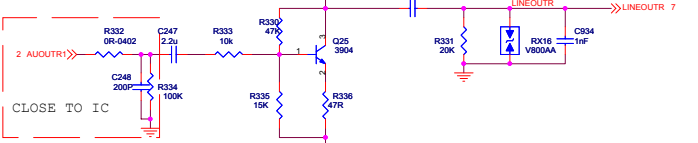
Date: Monday, February 21, 2011 Sheet 8 of 9



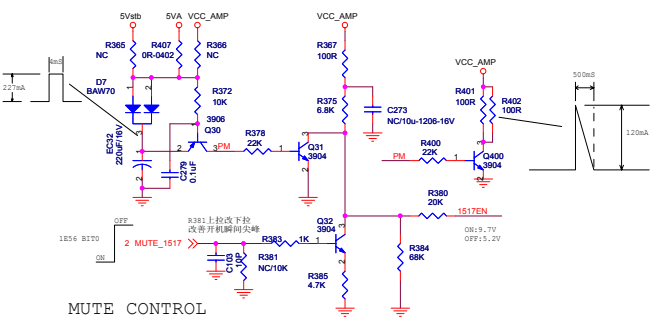
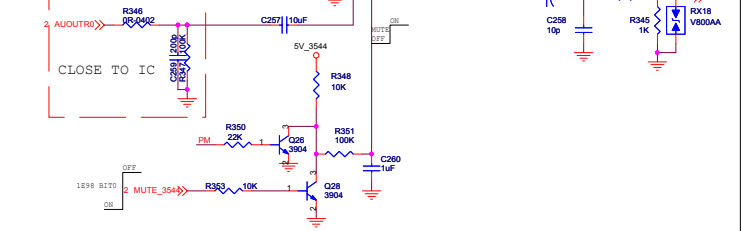
**AUDIO\_OUTPUT**



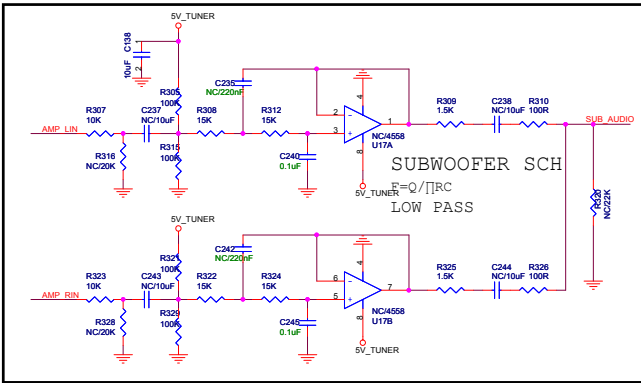
Near MST.IC  
Ground in the middle of the L/R



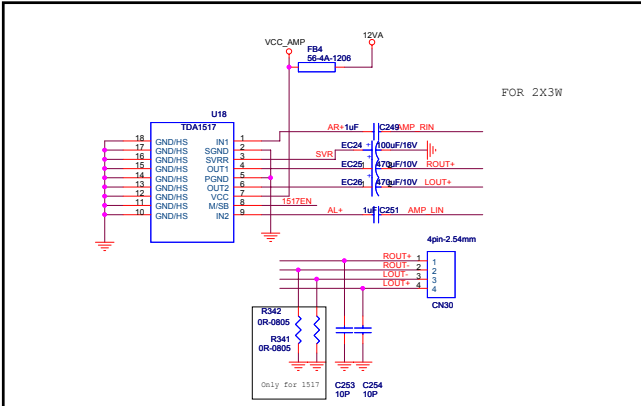
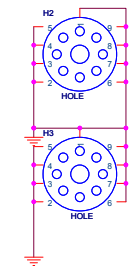
Near MST.IC  
Ground in the middle of the L/R



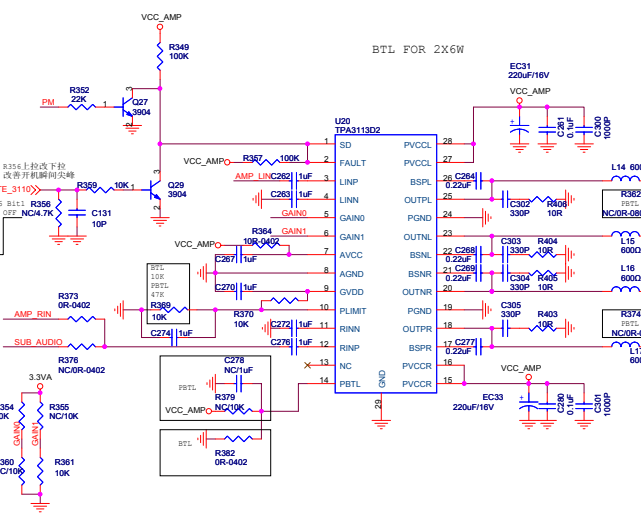
**MUTE CONTROL**



**SUBWOOFER SCH  
LOW PASS**



FOR 2X3W



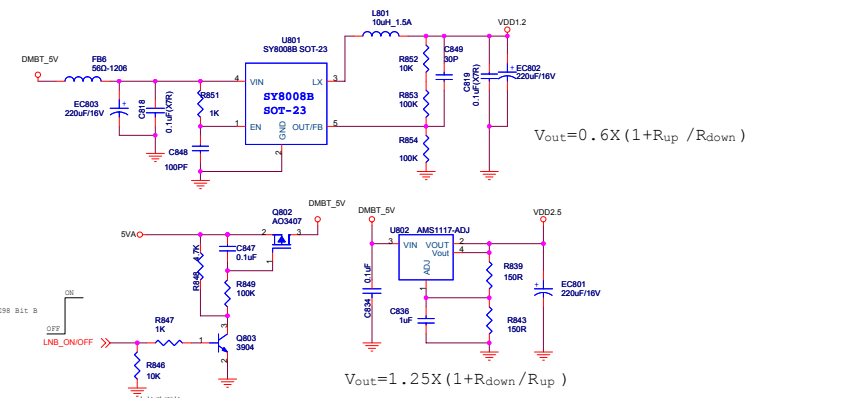
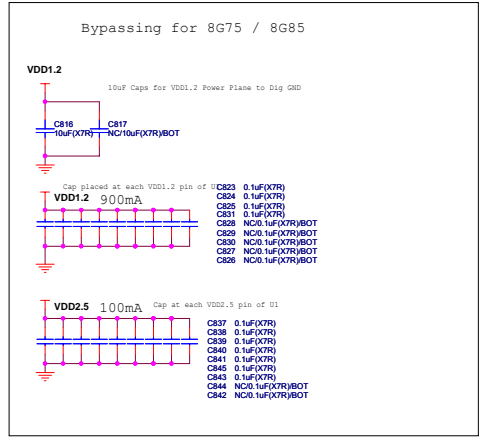
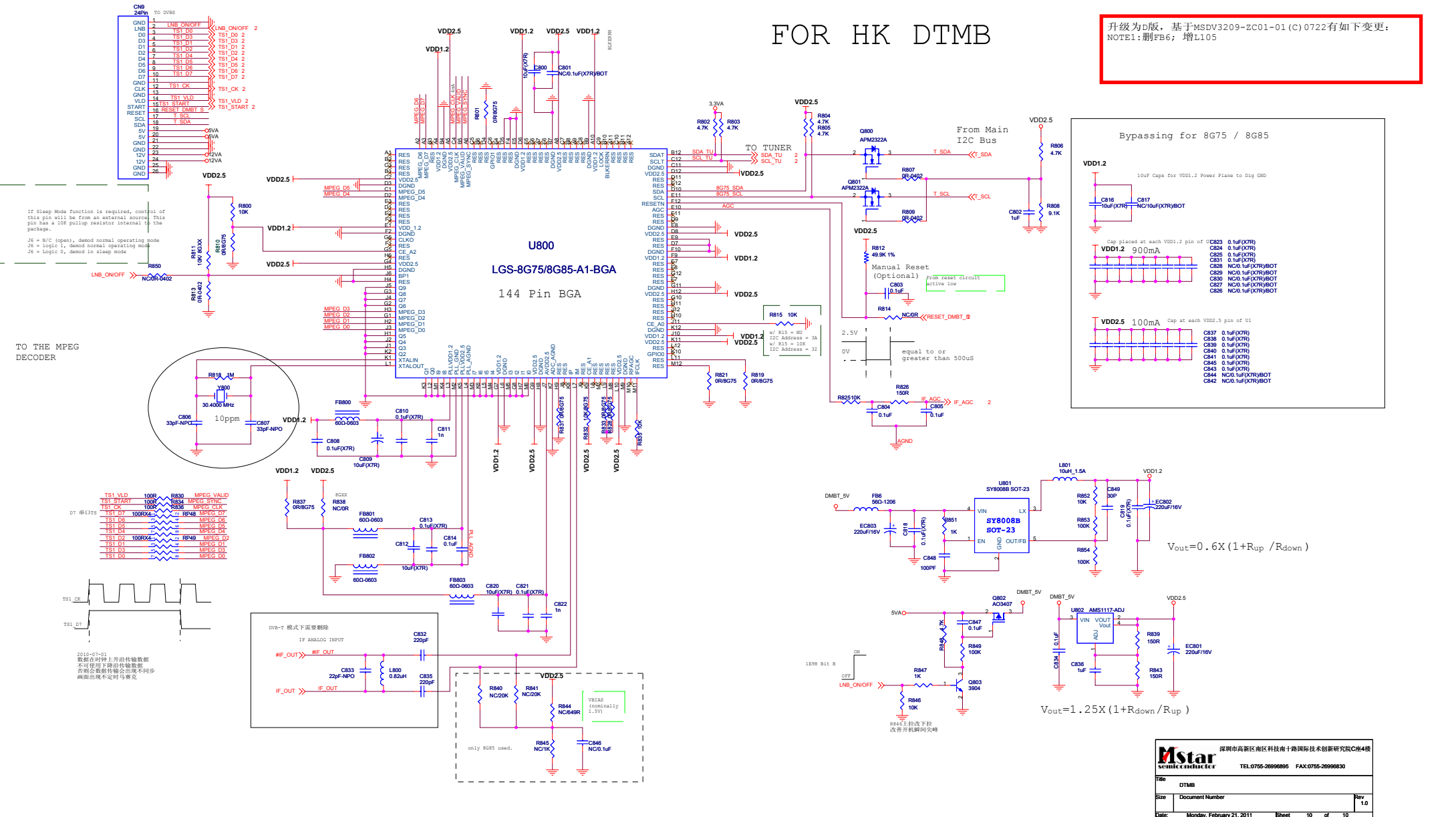
BTL FOR 2X6W

BPTL FOR SUBWOOFER 10W

升级为D版。基于MSDV3209-2C01-01(C) 0722有如下变更:  
NOTE1:增C933,C934 (1nF-0402)

# FOR HK DTMB

升级为d版, 基于MSDV3209-ZC01-01 (C) 0722有如下变更:  
NOTE1:删FB6; 增L105



If Sleep Mode Function is required, control of this pin will be from an external source. This pin has a 10k pull-up resistor internal to the package.

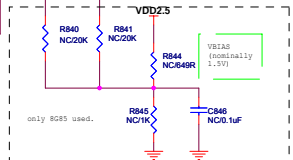
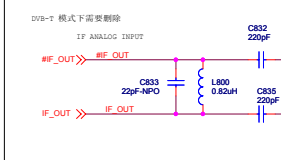
S6 = N/C (open), demand normal operating mode  
S6 = Logic 1, demand normal operating mode  
S6 = Logic 0, demand in sleep mode

TO THE MPEG DECODER

TS1\_VLD 100R R830 MPEG\_VALID  
TS1\_START 100R R834 MPEG\_SYNC  
TS1\_D0 100R R838 MPEG\_CH0  
TS1\_D1 100R R842 MPEG\_CH1  
TS1\_D2 100R R846 MPEG\_CH2  
TS1\_D3 100R R850 MPEG\_CH3  
TS1\_D4 100R R854 MPEG\_CH4  
TS1\_D5 100R R858 MPEG\_CH5  
TS1\_D6 100R R862 MPEG\_CH6  
TS1\_D7 100R R866 MPEG\_CH7



2010-07-01  
数据在时钟上升沿传输数据  
不可使用下降沿传输数据  
否则数据会出现不同步  
请避免出现时钟与数据



<b>Mstar</b> SCIENTIFIC ELECTRONICS		深圳市高新区南区科技十路国际技术创新研究院C座4楼	
		TEL:0755-26998895 FAX:0755-26998830	
Title	DTMB	Rev	1.0
Size	Document Number		
Date	Monday, February 21, 2011	Sheet	10 of 10