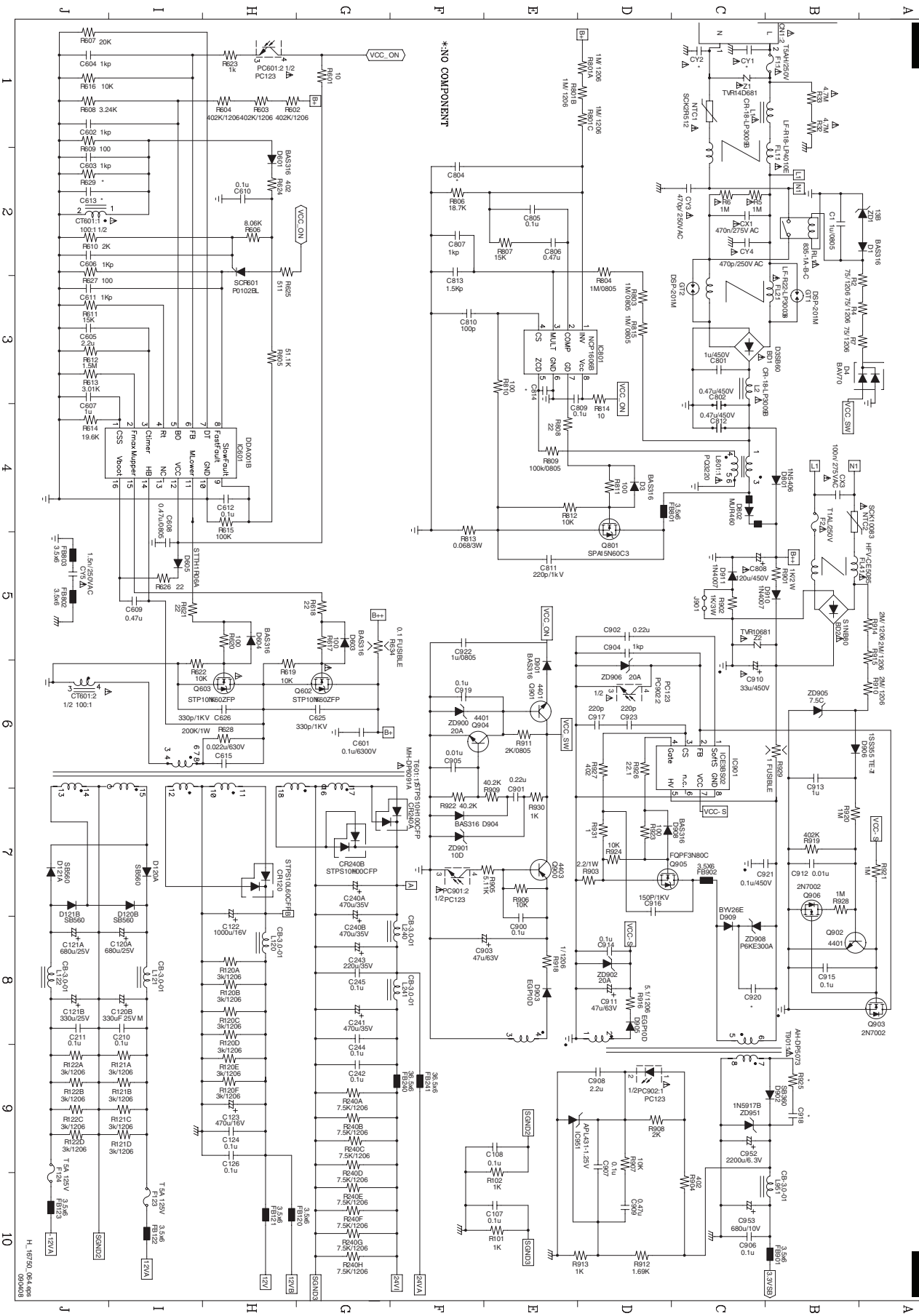


7. Circuit Diagrams and PWB Layouts

Display Supply (32"): Part 1

A1 MAIN POWER SUPPLY (32"): PART 1



1-16730, 064, 498
090008