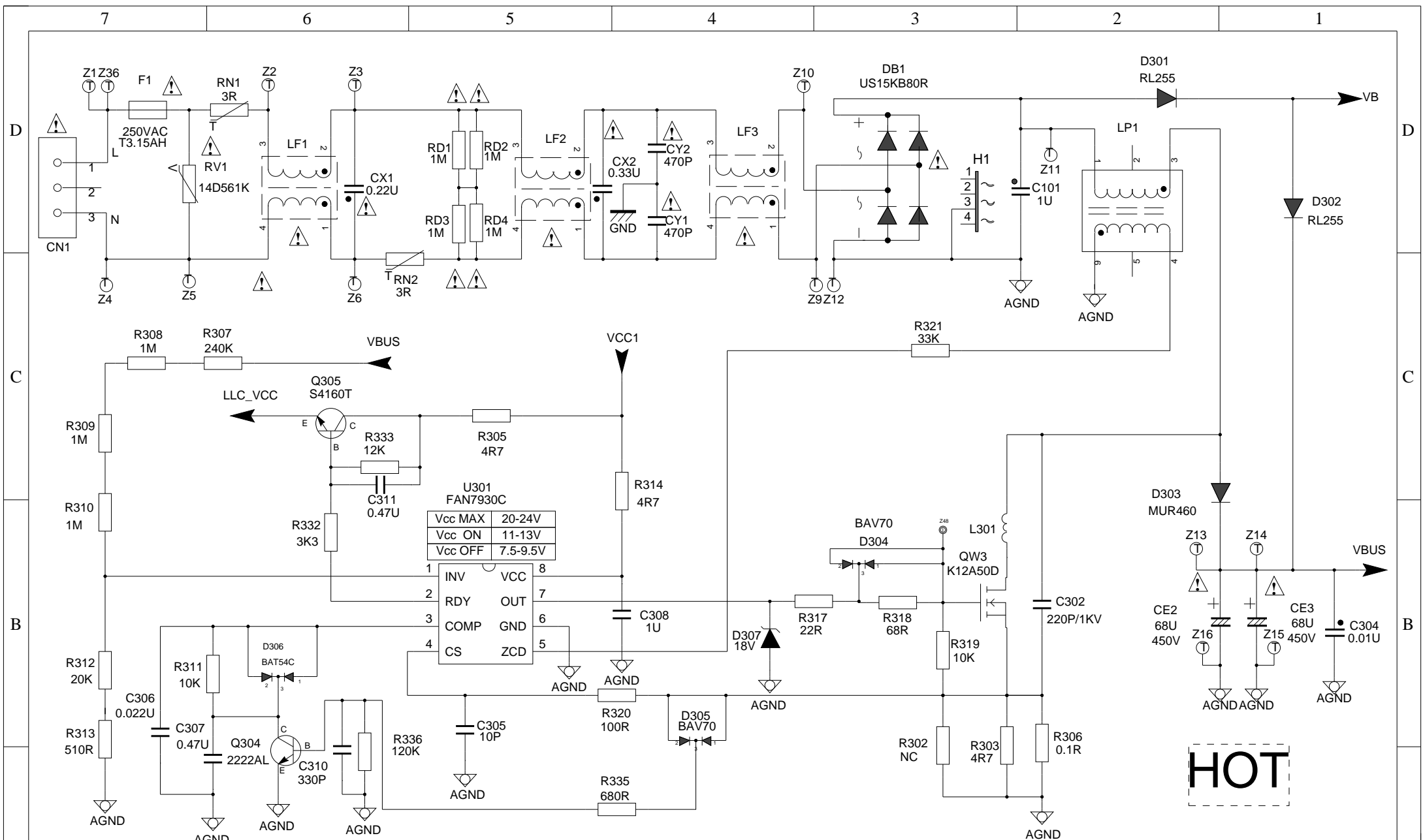


THIS DRAWING CANNOT BE COMMUNICATED TO UNAUTHORIZED PERSONS COPIED UNLESS PERMITTED IN WRITING



家电维修资料网  
www.520101.com

Index-Lab	DATE	NAME	DESCRIPTION	Last modif

**Last saved :** 5-18-2011\_16:03

SBU : **V01**

TCLNO: \_\_\_\_\_

40-E421C5-PWB1XG

DESIGNATION

PE421C5

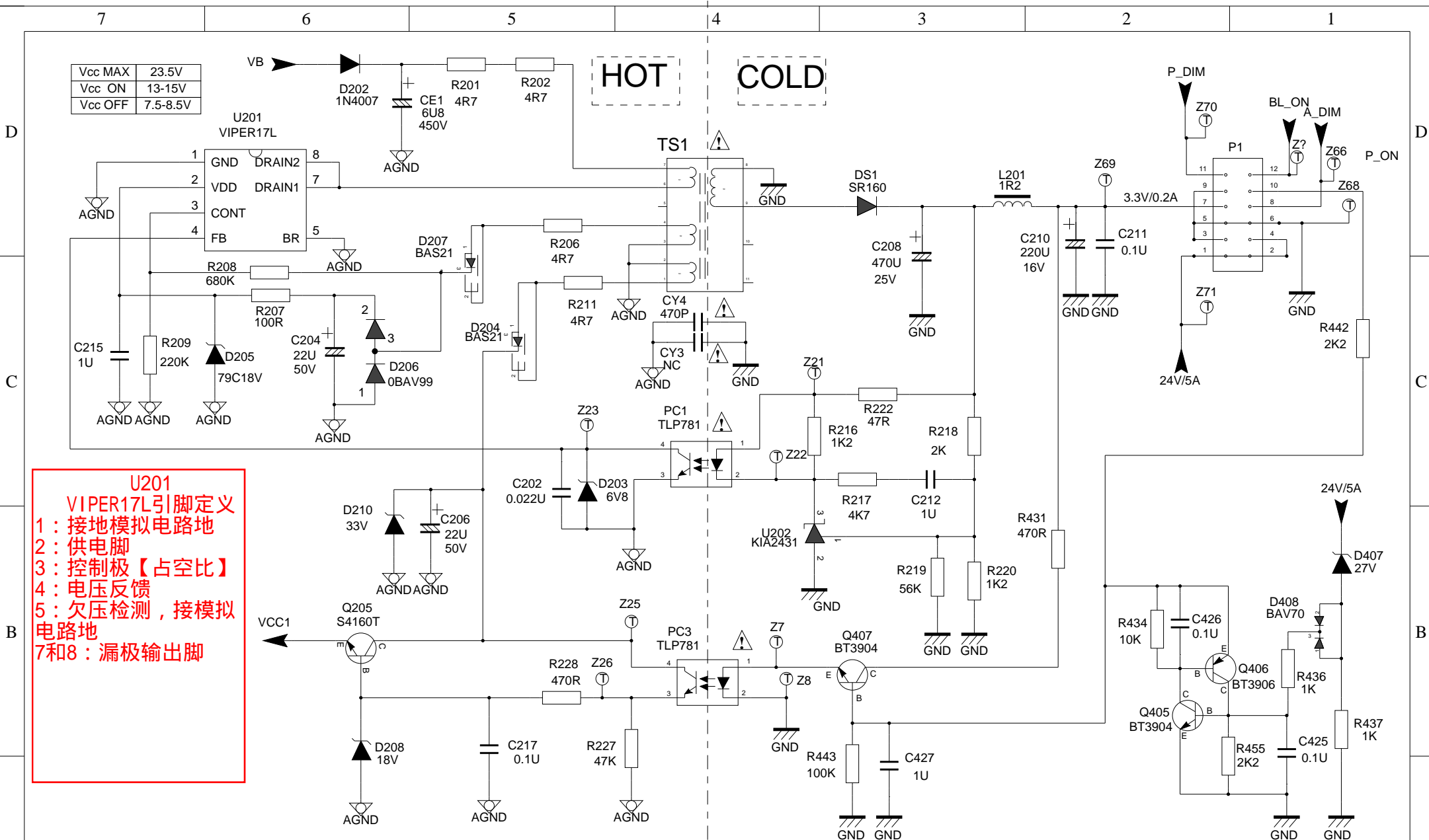
TCL

DRAWN	CHECKED	PAGE:	1
ON: 03-16-2011	ON:	OF :	3
BY: QINS	BY:		

HOT

THIS DRAWING CANNOT BE COMMUNICATED TO UNAUTHORIZED PERSONS COPIED UNLESS PERMITTED IN WRITING

Vcc MAX	23.5V
Vcc ON	13-15V
Vcc OFF	7.5-8.5V



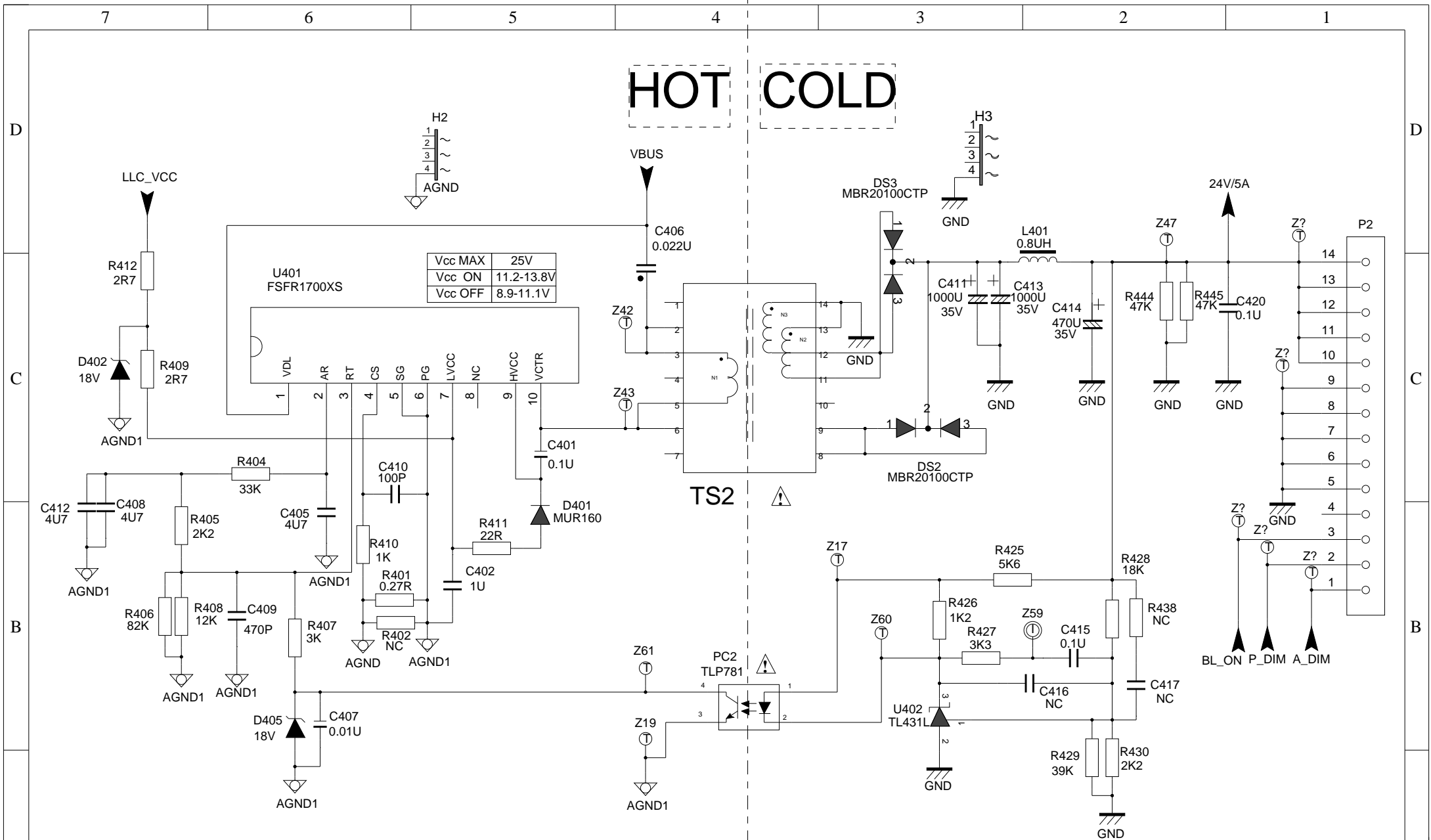
**U201**  
**VIPER17L引脚定义**  
 1 : 接地模拟电路地  
 2 : 供电脚  
 3 : 控制极【占空比】  
 4 : 电压反馈  
 5 : 欠压检测, 接模拟电路地  
 7和8 : 漏极输出脚

Index-Lab	DATE	NAME	DESCRIPTION	Last modif
<b>Last saved :</b> 5-18-2011_10:57				

SBU :	<b>V01</b>
TCLNO:	40-E421C5-PWB1XG
<b>DESIGNATION</b>	
PE421C5	

<b>TCL</b>			
DRAWN	CHECKED	PAGE:	3
ON: 03-16-2011	ON:	OF :	3
BY: QJNS	BY:		

THIS DRAWING CANNOT BE COMMUNICATED TO UNAUTHORIZED PERSONS COPIEDUNLESS PERMITTED IN WRITING



				SBU :	<b>V01</b>
				TCLNO:	40-E421C5-PWB1XG
				DESIGNATION	PE421C5
Index-Lab	DATE	NAME	DESCRIPTION	Last modif	

TCL

DRAWN	CHECKED	PAGE:	3
ON: 03-16-2011	ON:	OF :	3
BY: QINJS	BY:		

**Last saved :** 5-18-2011\_15:50