



**PARTS EXCLUSIVE TO
MODEL: 50 VLX
(20, 25 AND 30 MPH)**


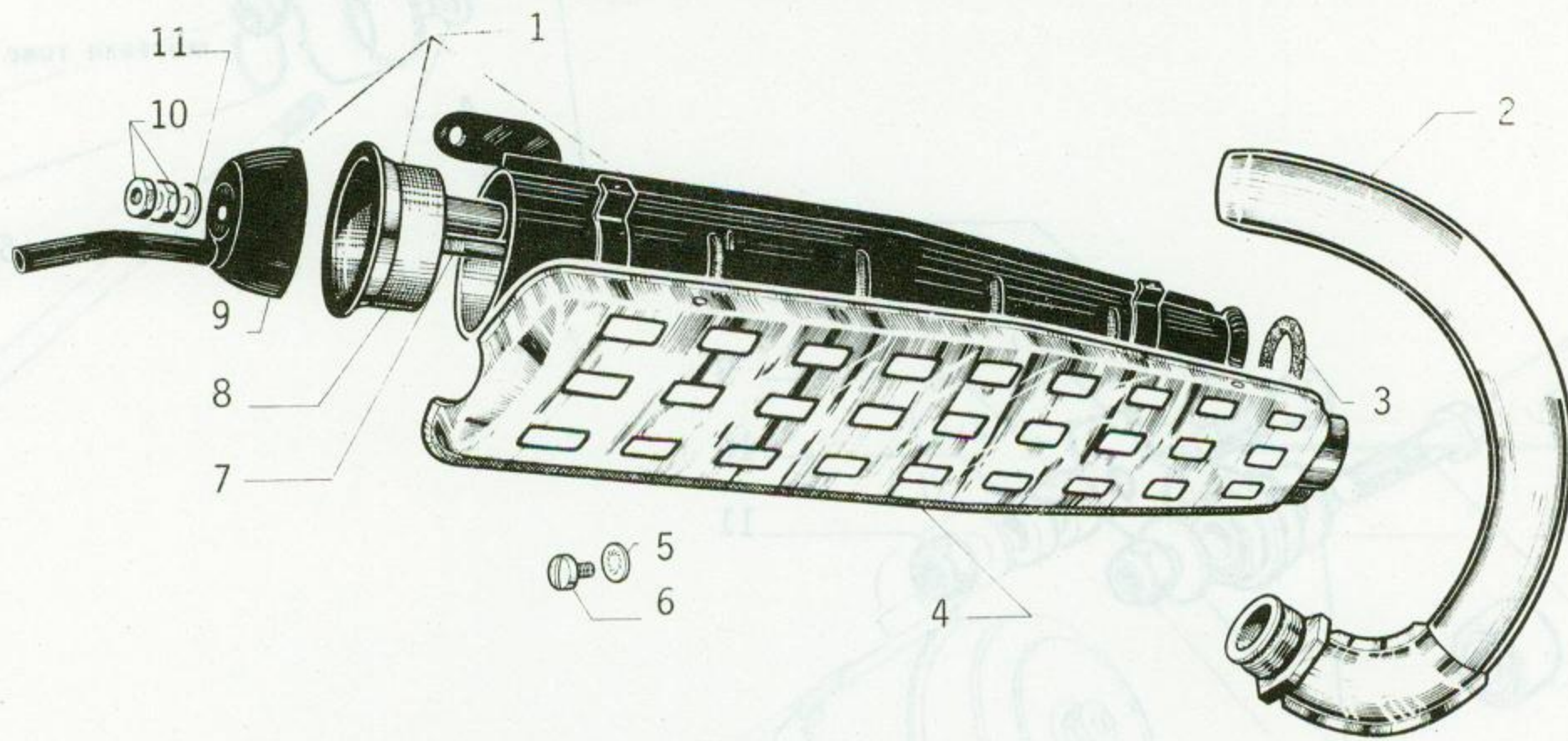
 **MOTOBECANE**

TABLE OF CONTENTS

<u>ILLUSTRATED PARTS</u>	<u>PAGE</u>
Exhaust	1 - 2
Shock Absorber	3
Tires	3
Pedal Arm	3
Frame	4
Handlebar	5
Front Fender	6
Rear Fender	6
Taillight	7

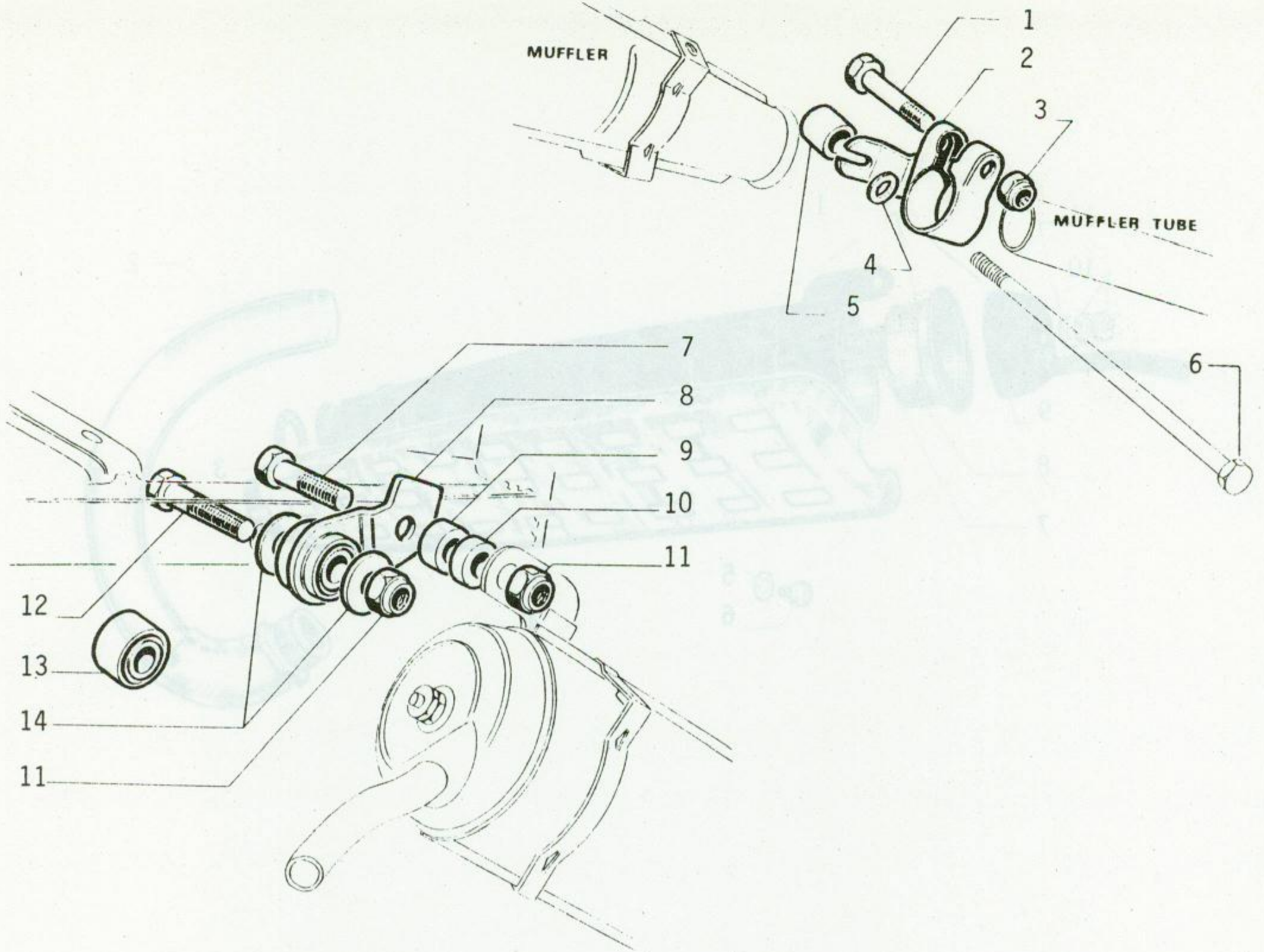
IMPORTANT

THE SPARE PARTS ILLUSTRATED IN THIS SECTION ARE THOSE WHICH ARE UNIQUE AND EXCLUSIVE TO THE MODEL "50VLX." SPARE PARTS WHICH ARE NEEDED FOR THE REPAIR OF A MODEL "50VLX" AND WHICH ARE NOT CONTAINED IN THIS SECTION CAN BE FOUND IN THE CATALOG SECTION ENTITLED "PARTS CATALOG, MODEL 50" OF THE MOTOBECANE DEALER SERVICE MANUAL.



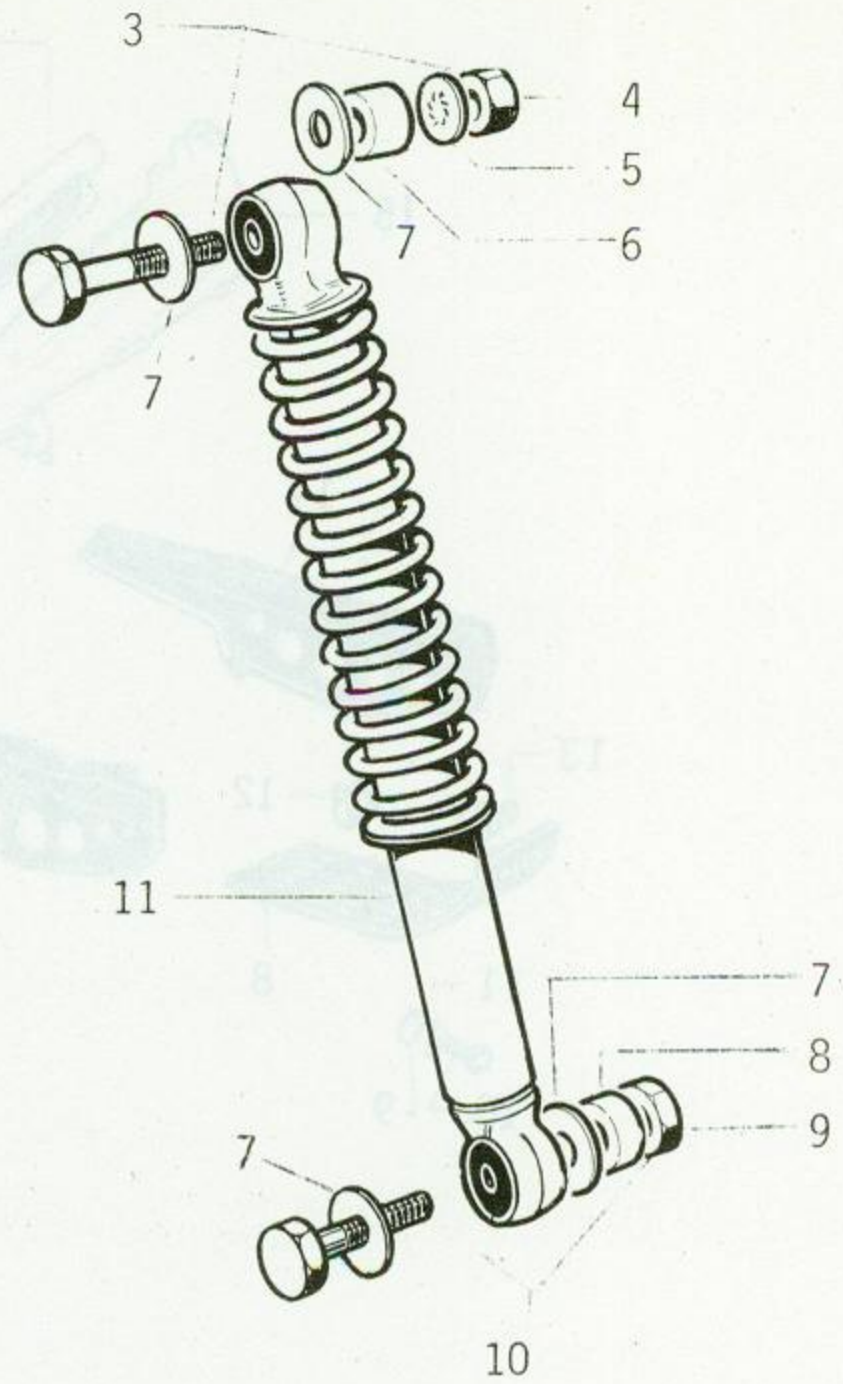
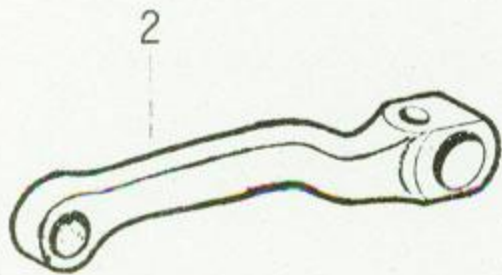
INDEX	PART NUMBER	QTY ASSY.	DESCRIPTION
1	21447	1	Muffler Complete
2	54248	1	Exhaust Tube
3	20582	1	Gasket
4	20581	1	Heat Shield
5	01171	4	Washer
6	15512	4	Screw
7	20698	1	Stud
8	20699	1	Baffle
9	21448	1	Tail Cap
10	00010	2	Nut
11	01545	1	Washer

Exhaust
Fig. 1



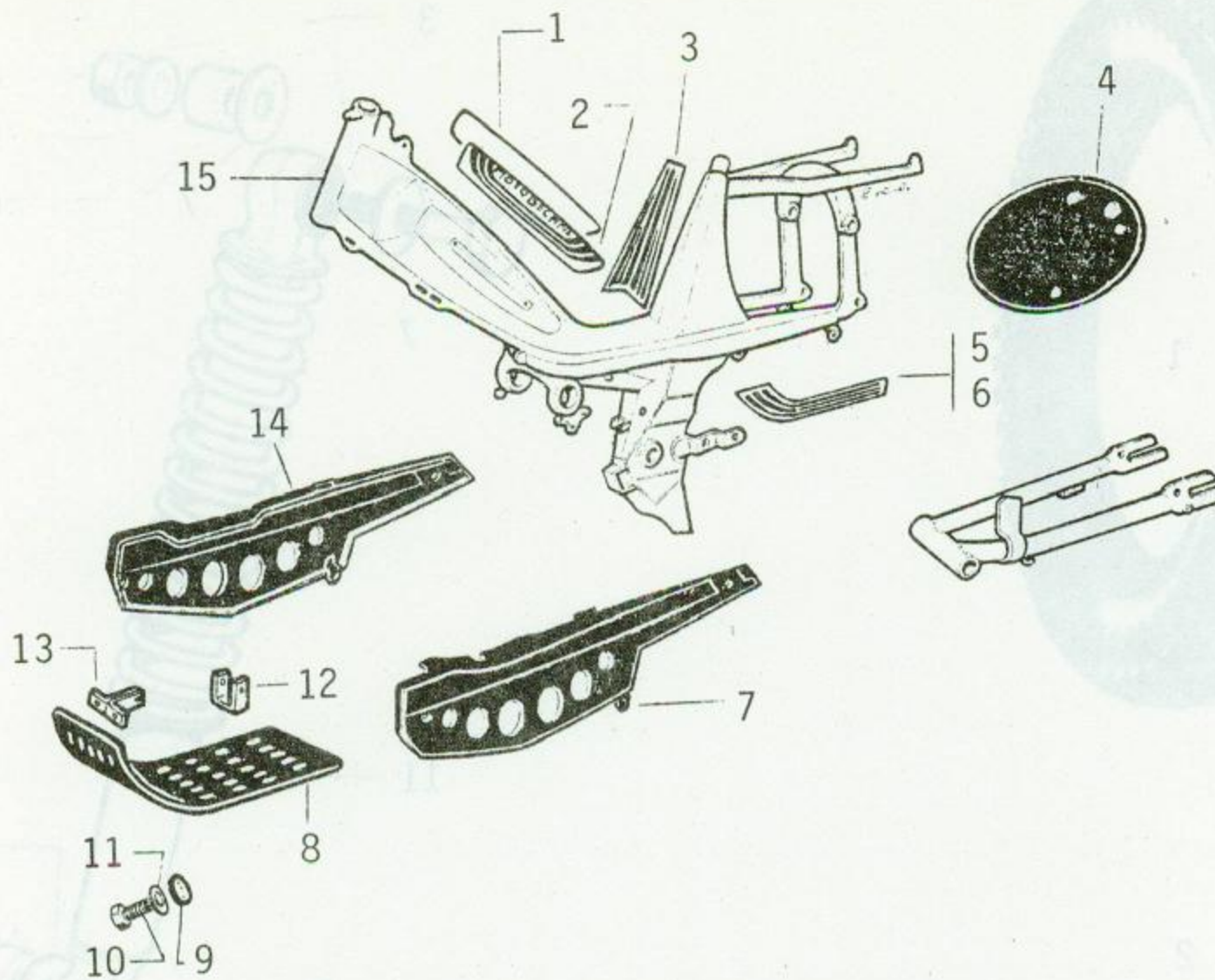
INDEX	PART NUMBER	QTY ASSY.	DESCRIPTION
1	20686	1	Bolt
2	54259	1	Clamp
3	17523	1	Nut
4	22804	1	Washer
5	18759	1	Spacer
6	20453	1	Bolt
7	13932	1	Bolt
8	20584	1	Bracket
9	54249	1	Spacer
10	17024	1	Spacer
11	13258	2	Nut
12	35539	1	Bolt
13	17666	1	Flexibloc
14	16947	2	Washer

Exhaust - Cont'd.
Fig. 2



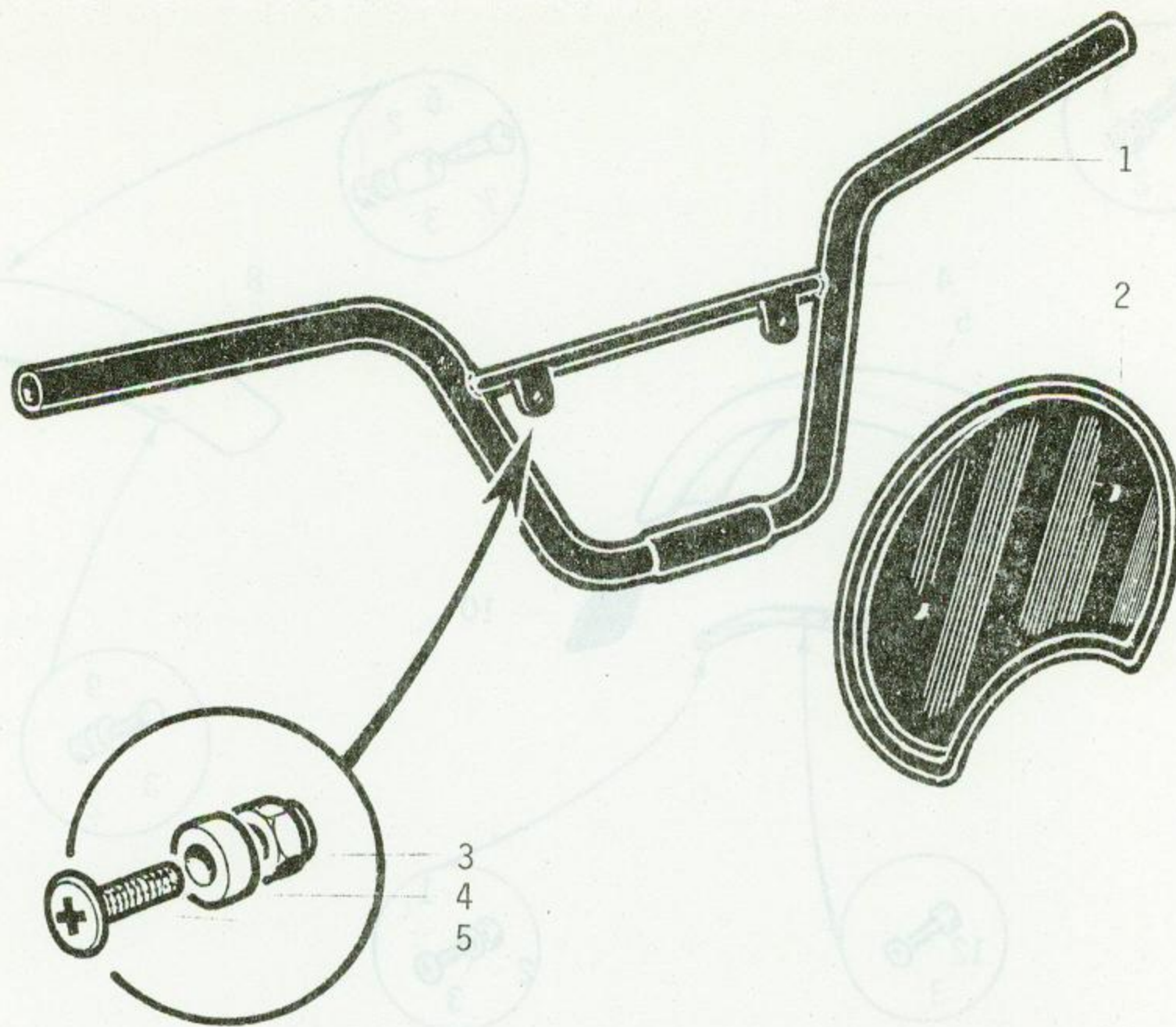
INDEX	PART NUMBER	QTY ASSY.	DESCRIPTION
1	54279	1	Tire 2.50 x 17 (Universal Tread)
2	22975	1	Pedal Arm (Right)
3	17023	1	Bolt and Nut
4	14147	1	Nut
5	01422	1	Washer
6	20690	1	Spacer
7	16947	4	Washer
8	22674	1	Spacer
9	00198	1	Nut
10	17023	1	Bolt and Nut
11	54842	1	Shock Absorber (Heavy Duty)

Shock Absorber and Tire
Fig. 3



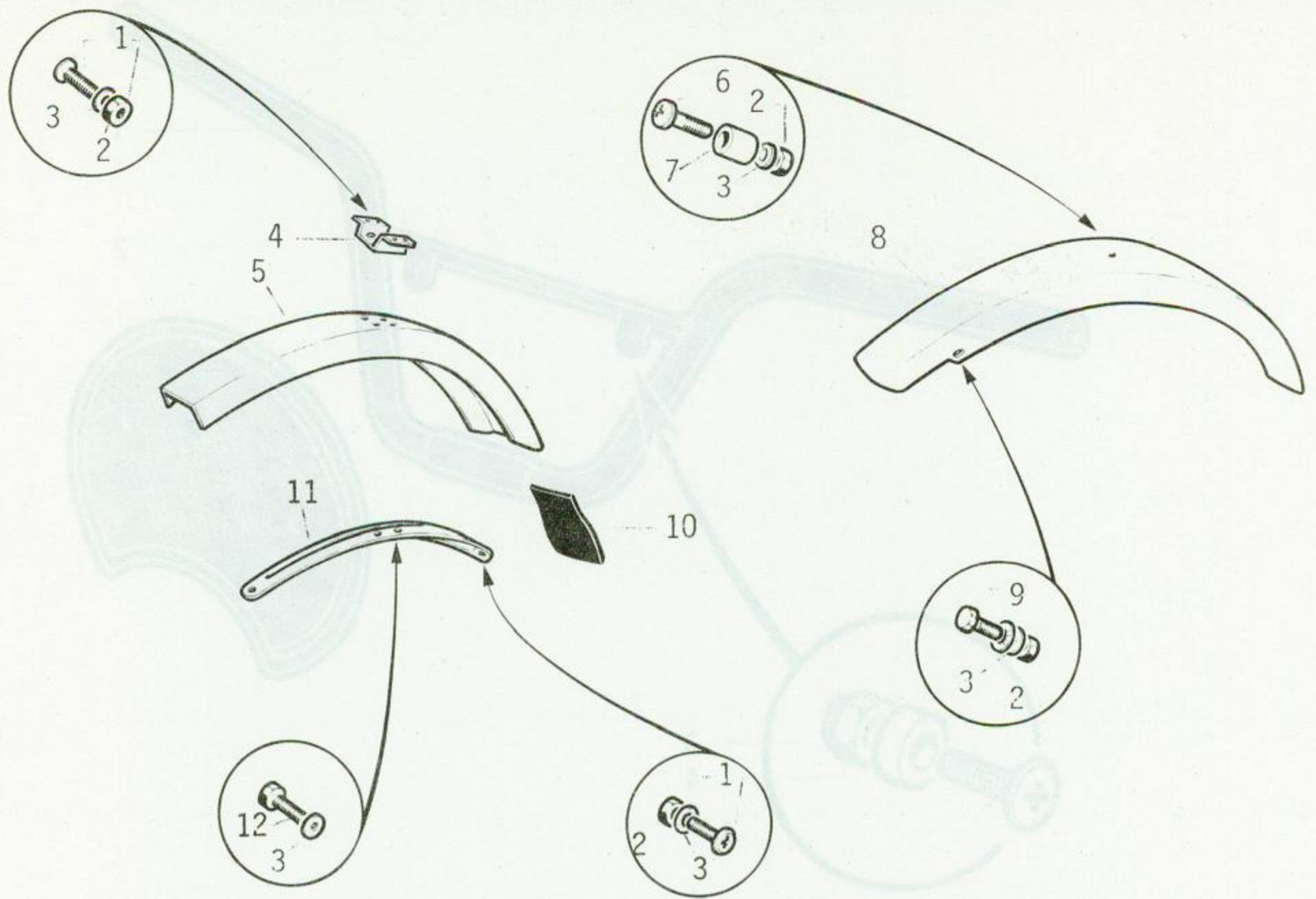
INDEX	PART NUMBER	QTY ASSY.	DESCRIPTION
1	54273	1	Fuel Tank Decal (Right)
2	54274	1	Fuel Tank Decal (Left)
3	54277	1	Seat Post Decal
4	54268	1	Number Plate Black (Left Rear)
5	54275	1	Frame Decal (Right)
6	54276	1	Frame Decal (Left)
7	23948	1	Perforated Chain Guard (Left) (Flat Black)
8	23538	1	Engine Guard
9	00164	4	Washer
10	00679	4	Bolt
11	01172	4	Washer
12	23484	1	Bracket
13	20127	1	Bracket
14	23947	1	Perforated Chain Guard (Right) (Flat Black)
15	54244	1	Frame (Metallic Midnight Blue)

Frame
Fig. 4



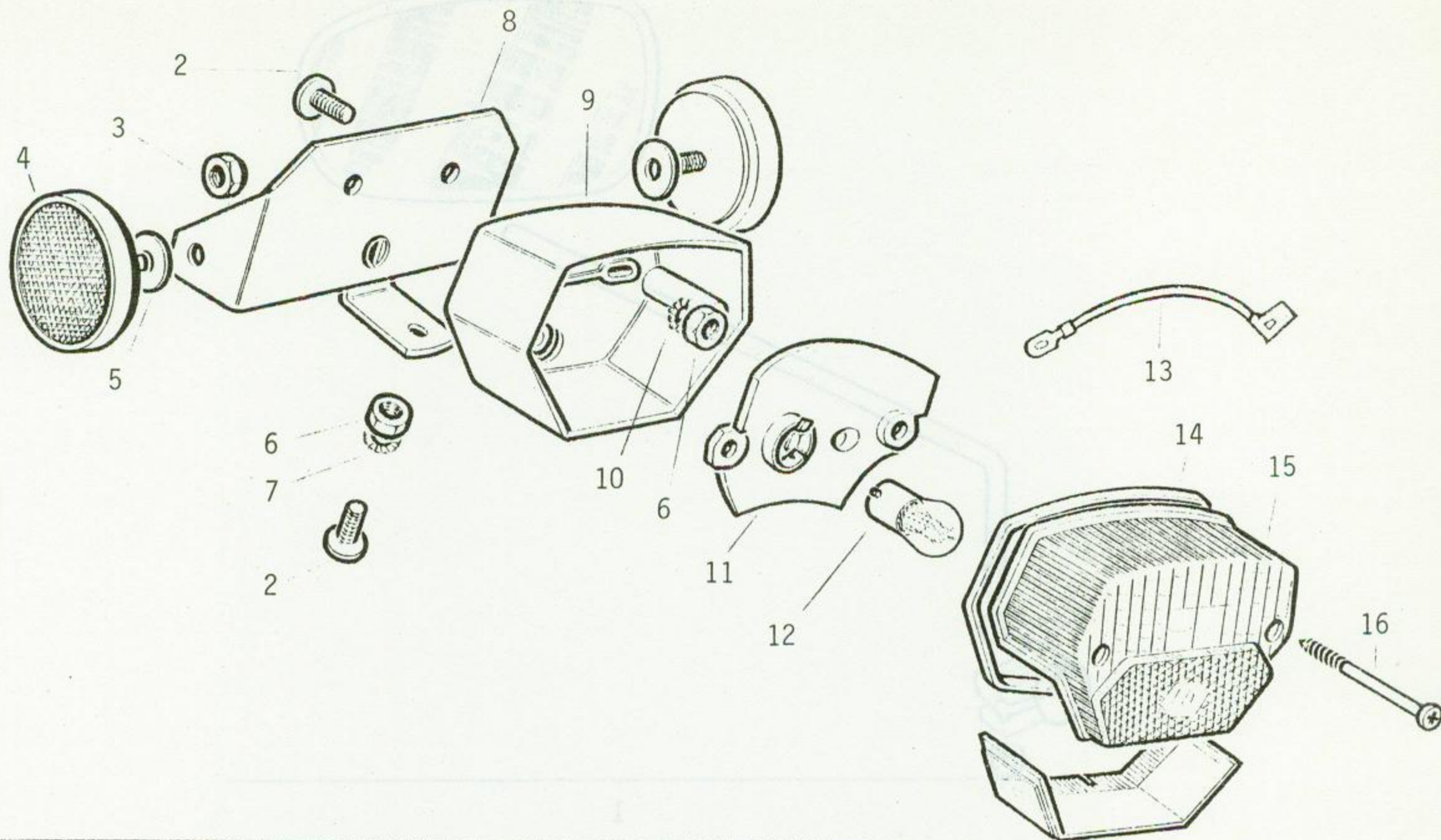
INDEX	PART NUMBER	QTY ASSY.	DESCRIPTION
1	23539	1	Handlebar (Flat Black)
2	54267	1	Number Plate Black (Front)
3	01176	2	Nut
4	54314	2	Spacer
5	22588	2	Bolt

Handlebar
Fig. 5



INDEX	PART NUMBER	QTY ASSY.	DESCRIPTION
1	20105	6	Screw and Nut
2	00010	8	Nut
3	00797	15	Washer
4	23220	1	Support
5	54260	1	Front Fender (Stainless)
6	22078	1	Screw
7	20534	1	Spacer
8	54261	1	Rear Fender (Stainless)
9	00968	2	Bolt
10	19302	1	Mudflap (Front)
11	23219	1	Reinforcement Plate
12	00679	4	Bolt
	54455	1	Front Brake Cable Guide (Not Illustrated)

Front and Rear Fender
Fig. 6



INDEX	PART NUMBER	QTY ASSY.	DESCRIPTION
1	54262	1	Taillight Complete
2	20105	4	Screw
3	01815	2	Nut
4	53440	2	Reflector (Red)
5	00052	2	Washer
6	00010	4	Nut
7	00004	1	Washer
8	54265	1	Bracket
9	54263	1	Taillight Body
10	00797	4	Washer
11	54210	1	Reflector
12	54134	1	Bulb (12 Volt, 20/5 Watt)
12	53469	1	Bulb (6 Volt, 21/3 Watt)
13	21370	1	Groundwire
14	21478	1	Gasket
15	54209	1	Taillight Lens
16	21611	2	Screw

Taillight
Fig. 7