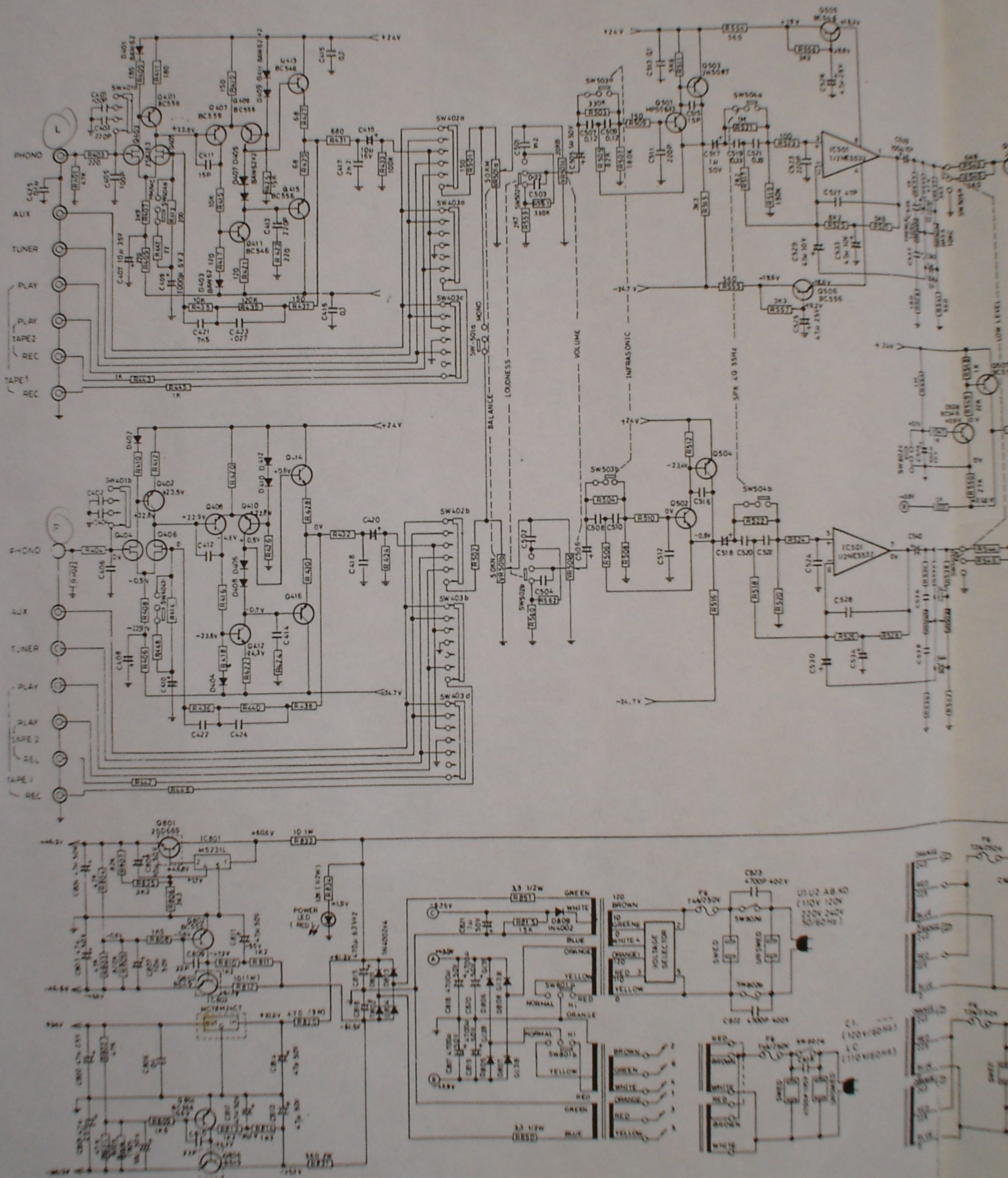
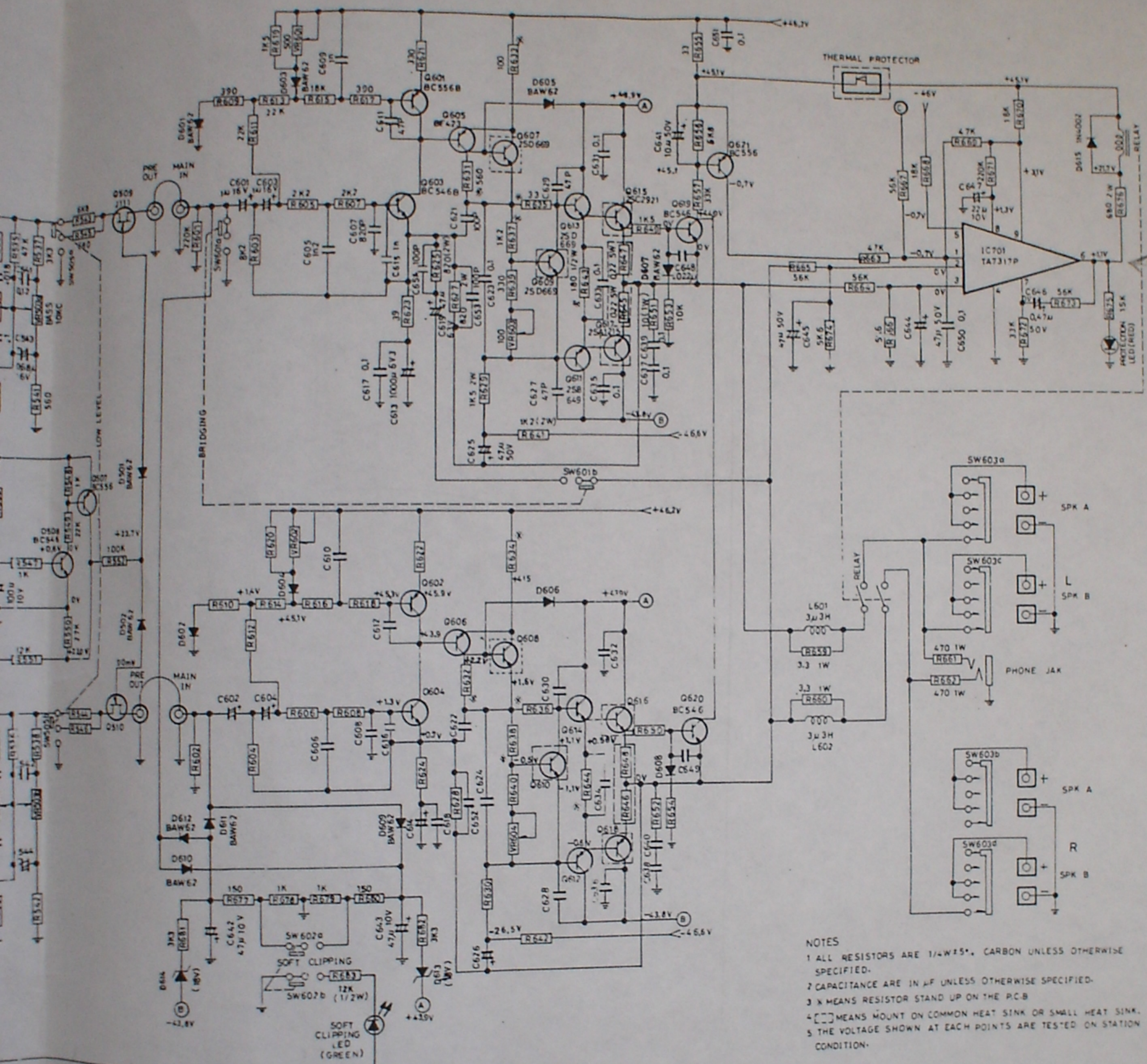


3150 CIRCUIT DIAGRAM

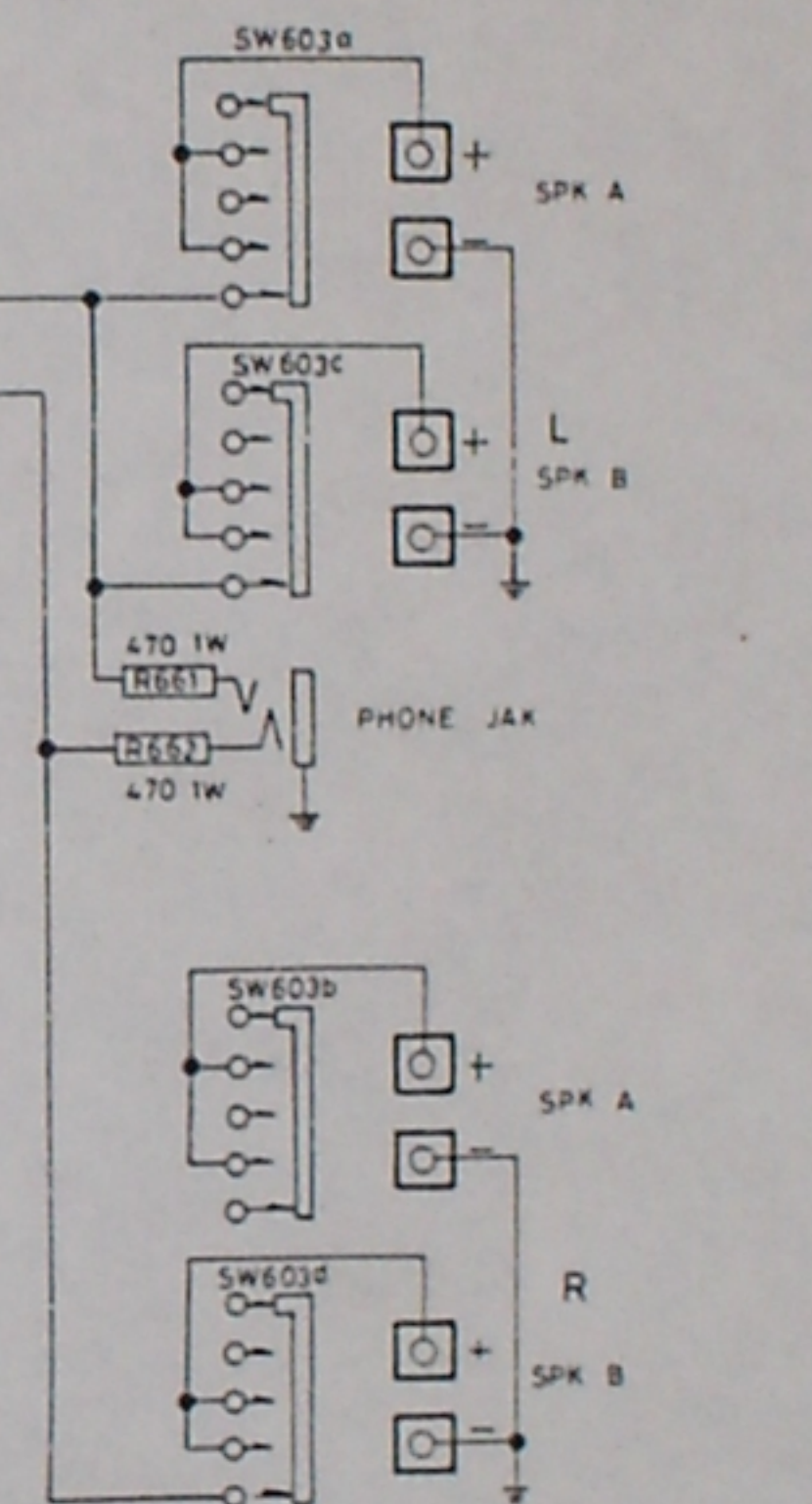
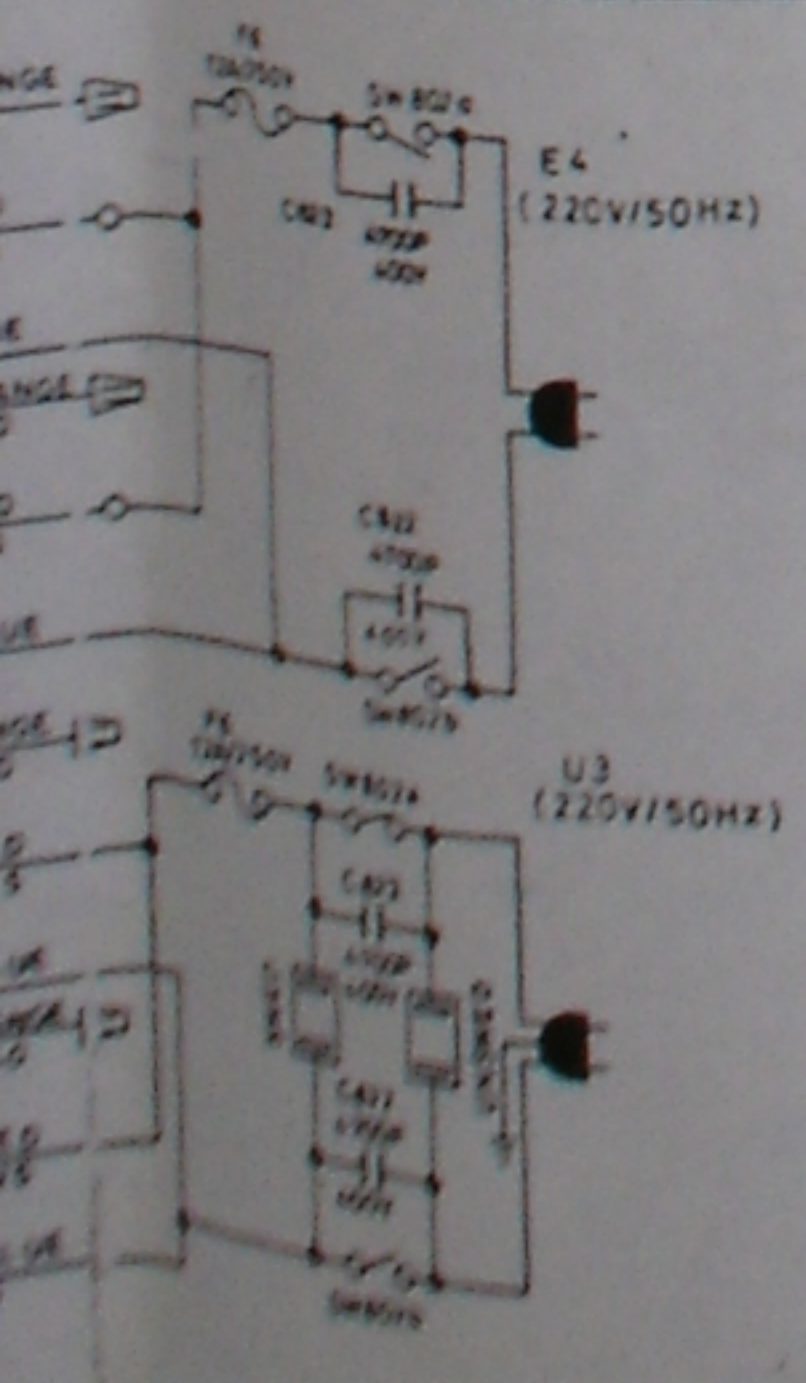




NOTES
 1 ALL RESISTORS ARE 1/4W 5% CARBON UNLESS OTHERWISE SPECIFIED.
 2 CAPACITANCE ARE IN μF UNLESS OTHERWISE SPECIFIED.
 3 X MEANS RESISTOR STAND UP ON THE P.C.B.
 4 \square MEANS MOUNT ON COMMON HEAT SINK OR SMALL HEAT SINK.
 5 THE VOLTAGE SHOWN AT EACH POINTS ARE TESTED ON STATION CONDITION.

SW801: IMPEDANCE SELECTORS SW.
 SW802: POWER SW.
 SW401: PHONO INPUT CAPACITANCE SELECTOR SW.
 SW402: LISTEN SELECTOR SW.
 SW403: RECORD SELECTOR SW.

- | | | | | | | | | |
|----------|-----------|---------|--------|-----------|--------|--------|---------|---------|
| 1, BC546 | 2 BF423 | 1.25A63 | 25B649 | MC78M2ACT | MS231L | NE5532 | 25A1215 | 1A7317P |
| BC556 | 3 MPS5633 | 2J111 | 25B669 | | | | 25C2921 | |
| BC559 | 2N5087 | | | | | | | |



436