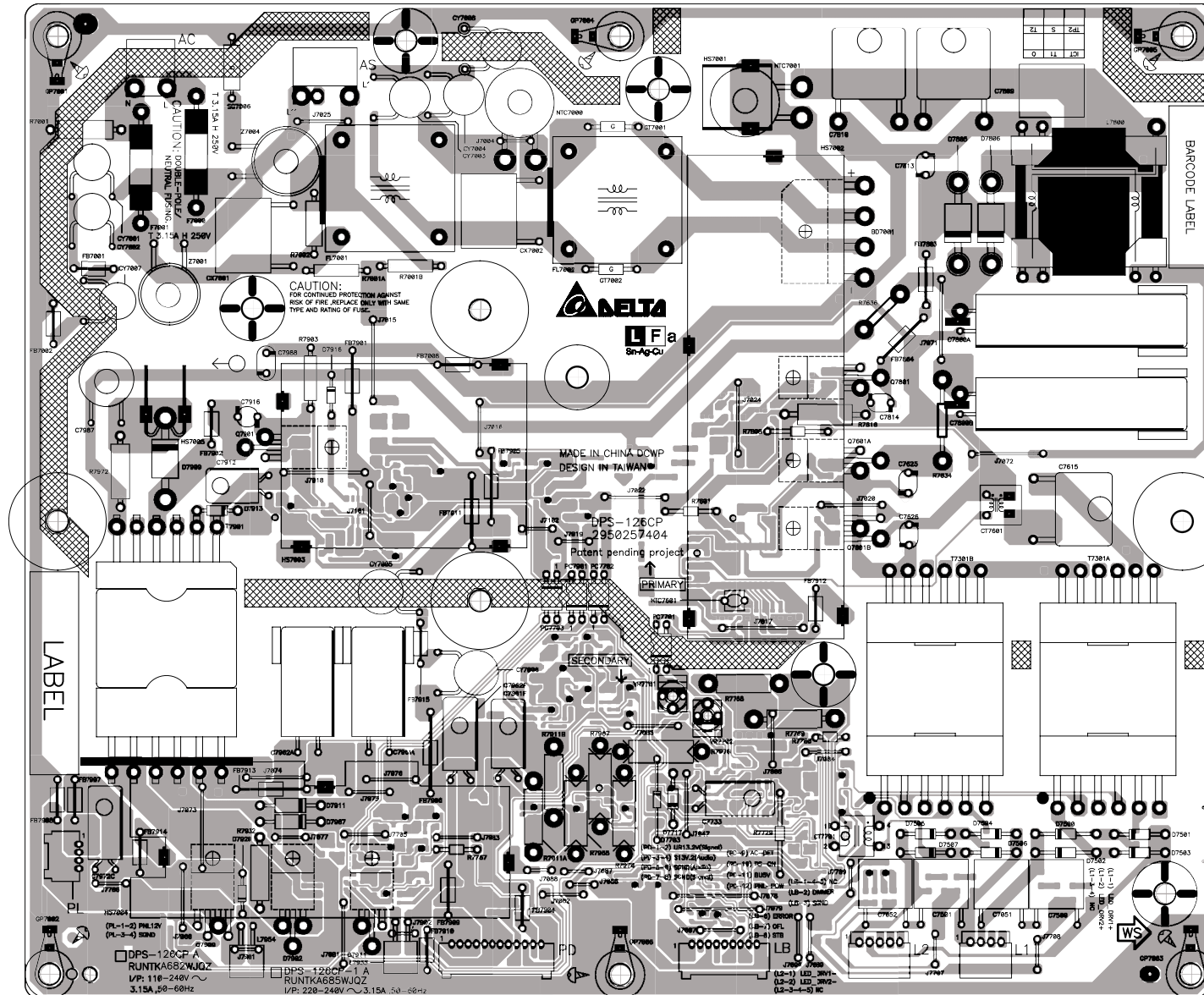
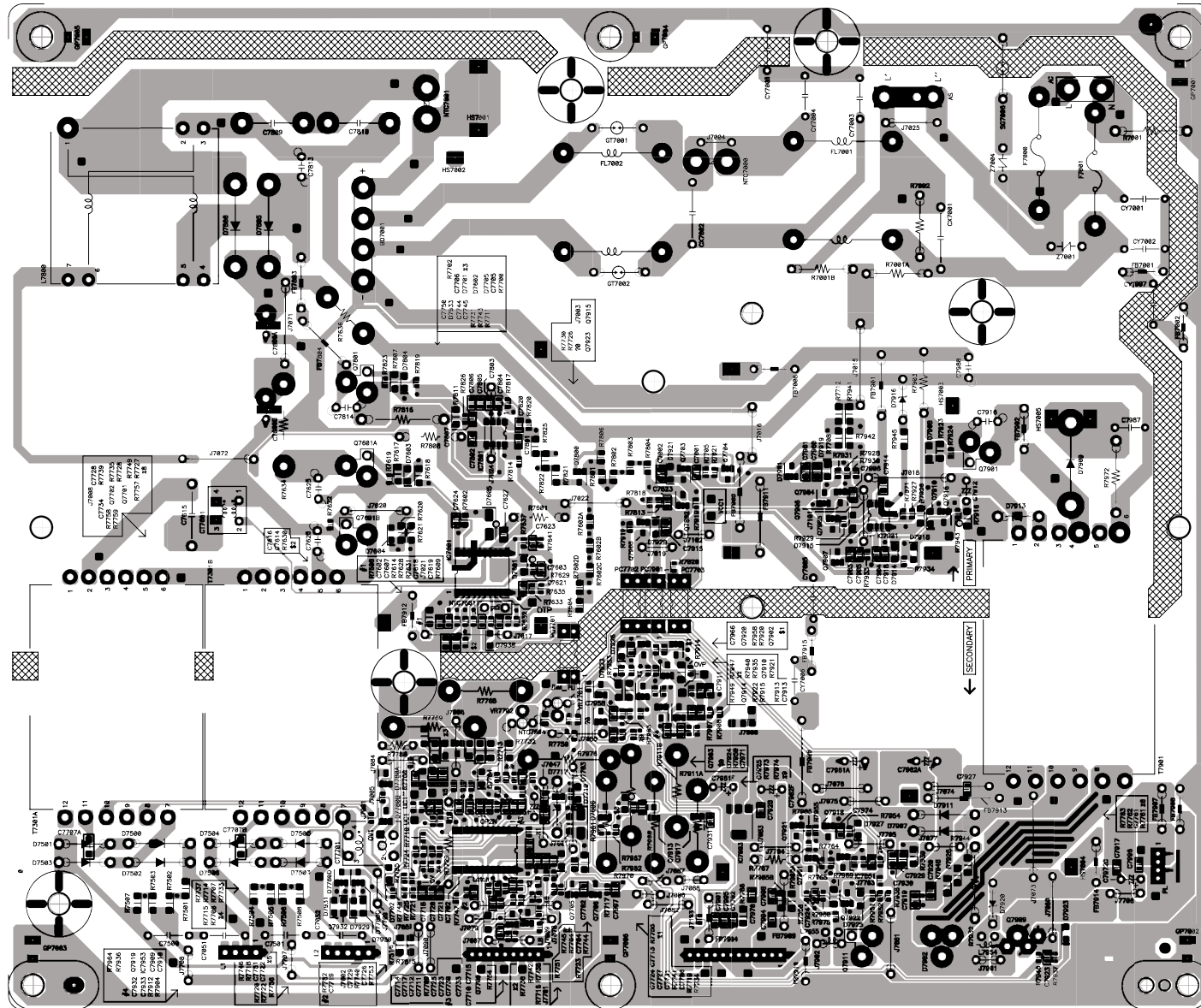


40" POWER Unit PWB, Side A

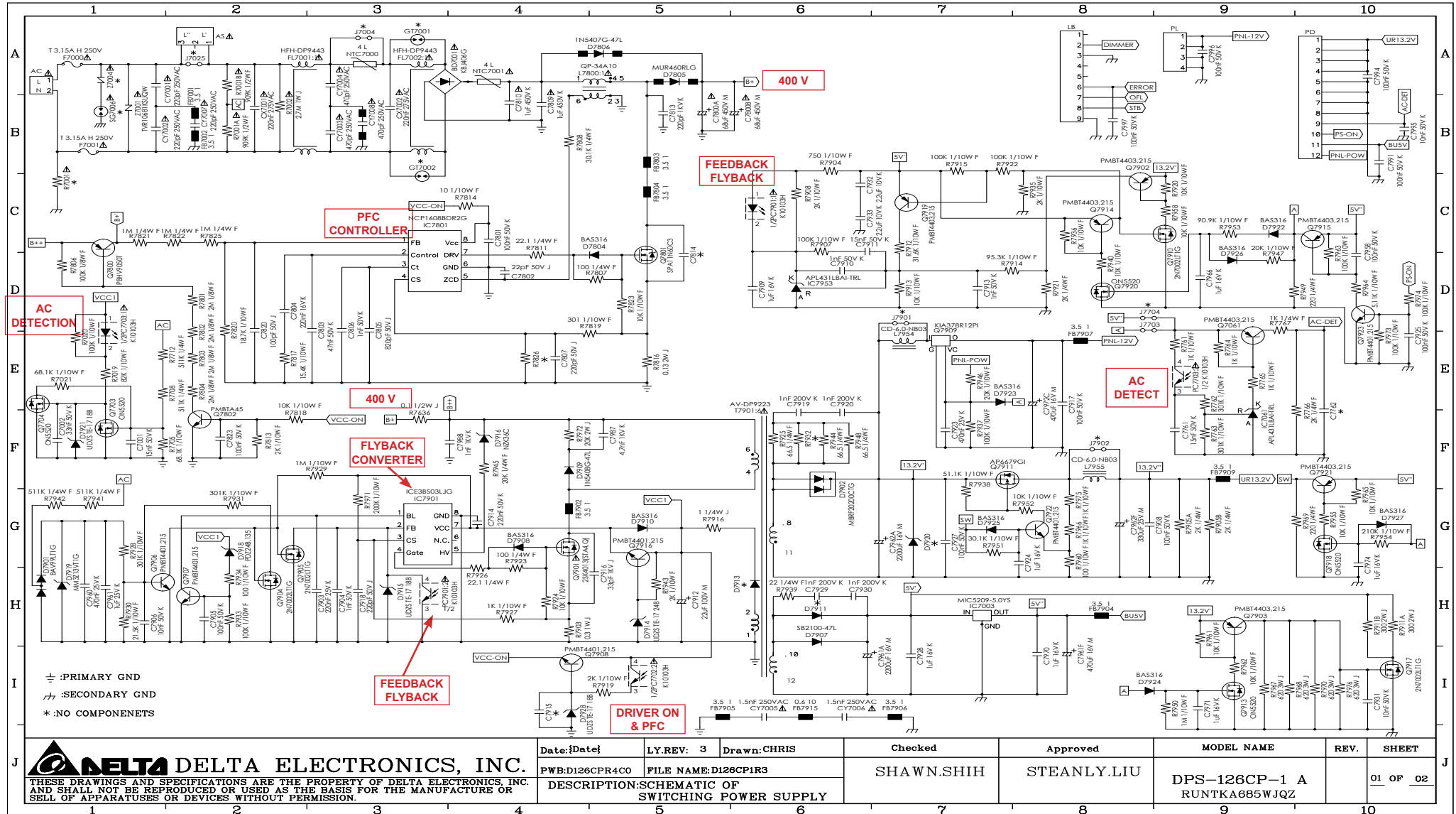


5. Printed Wiring Boards (PWBs)

40" POWER Unit PWB, Side A Chip Parts

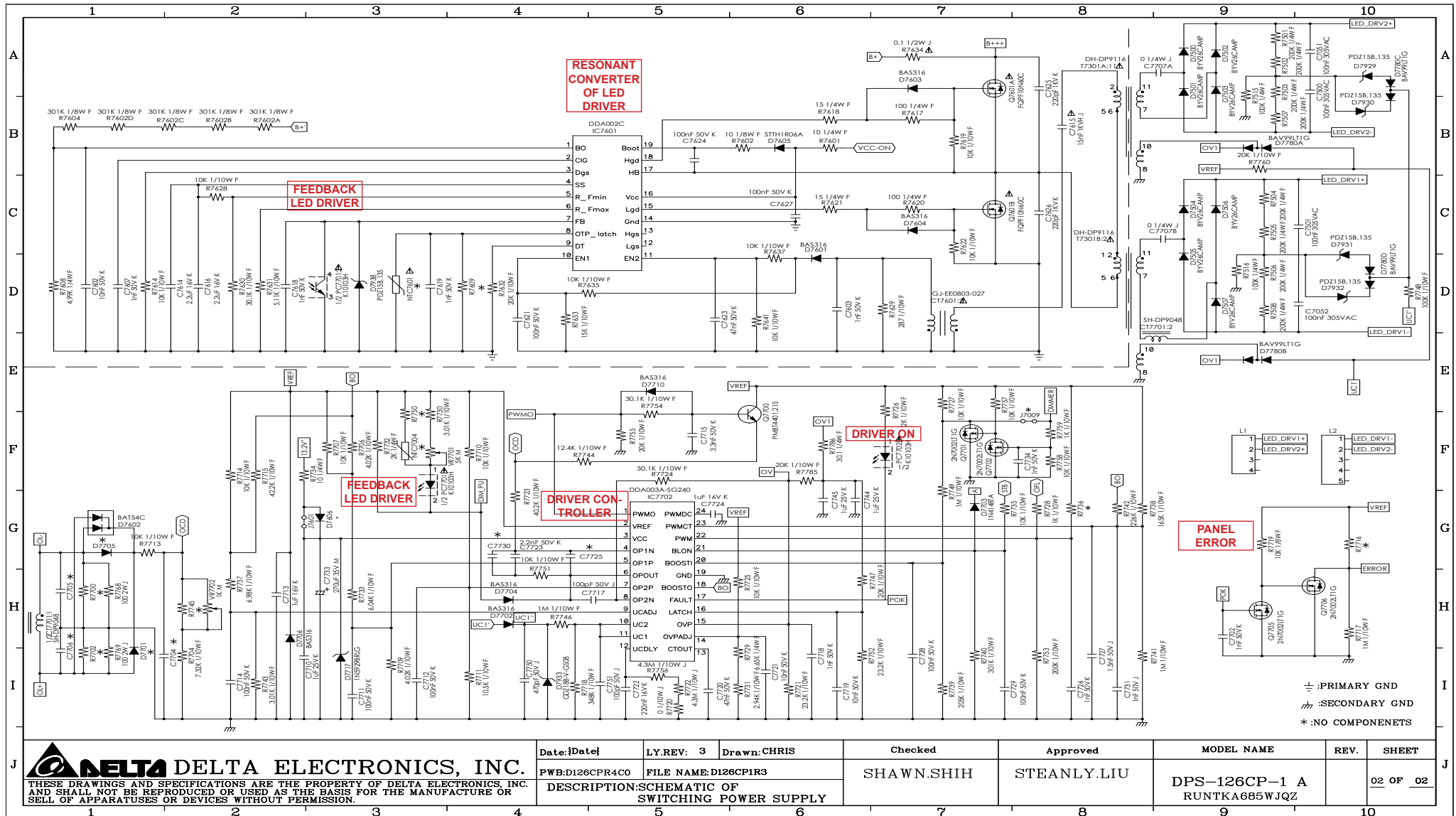


40" POWER Unit Diagram (1/2)



Frame Name: DF-SCA2H-1R00.SCH

40" POWER Unit Diagram (2/2)



Frame Name: DF-SCA2H-1R00.SCH