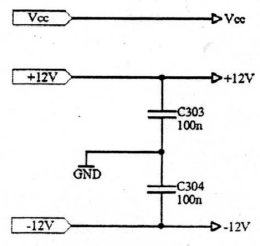
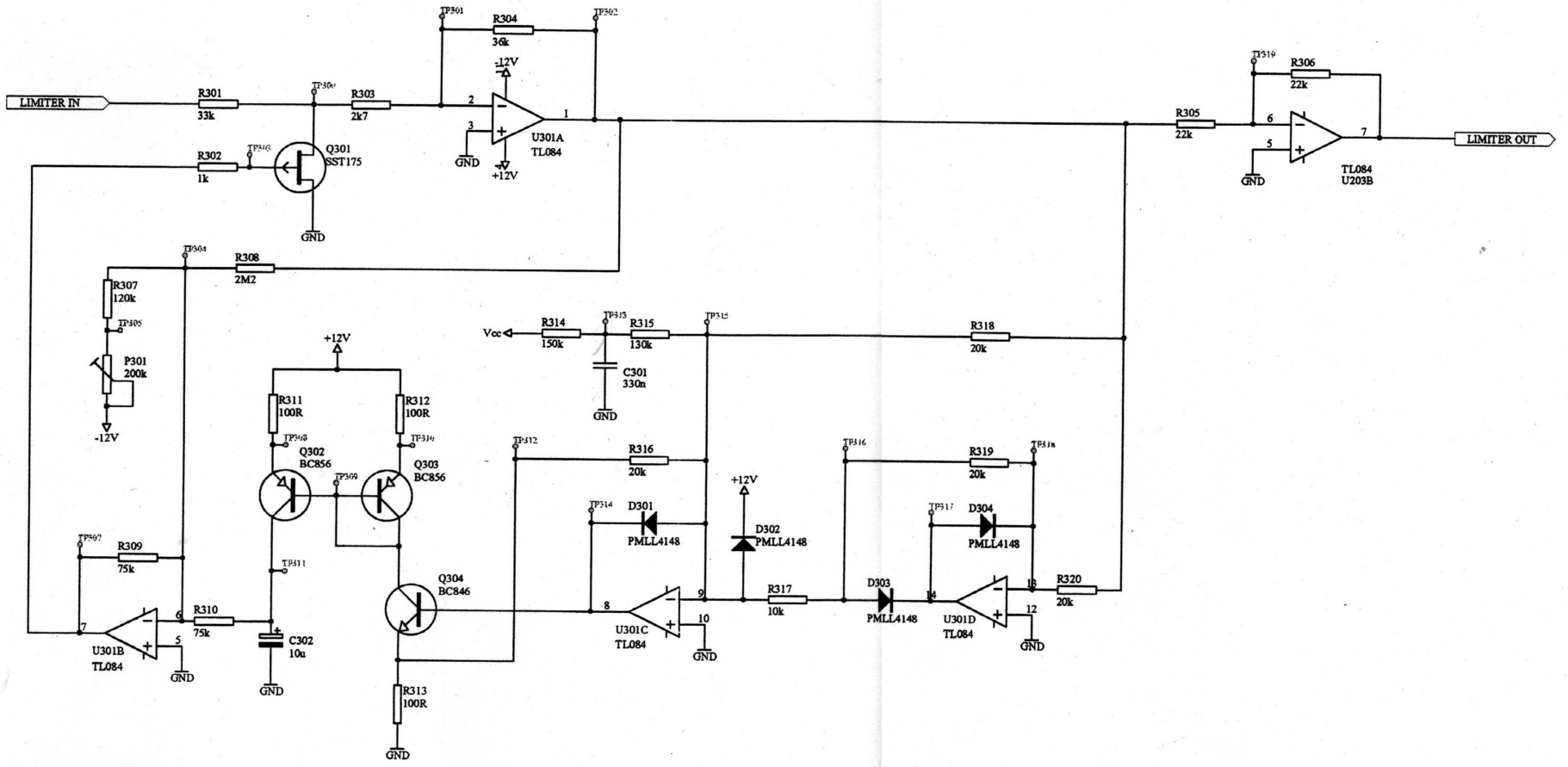
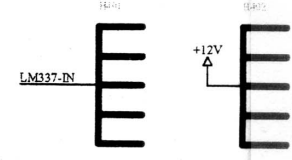
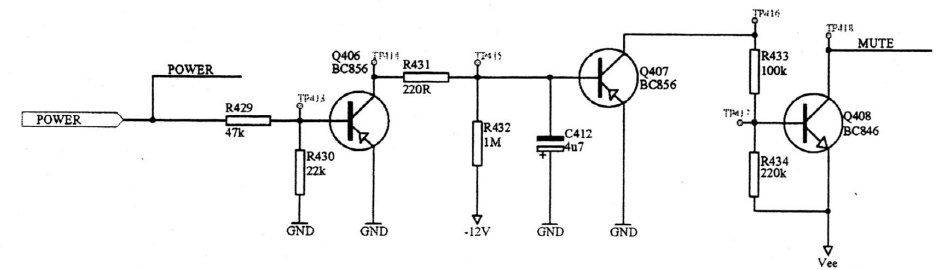
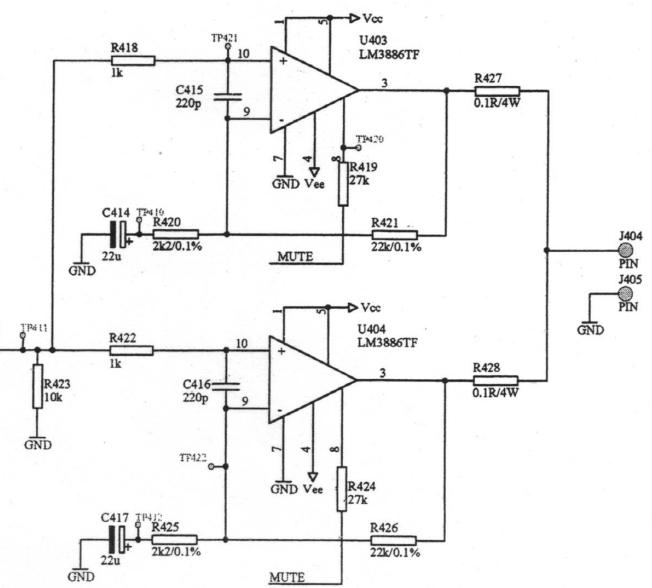
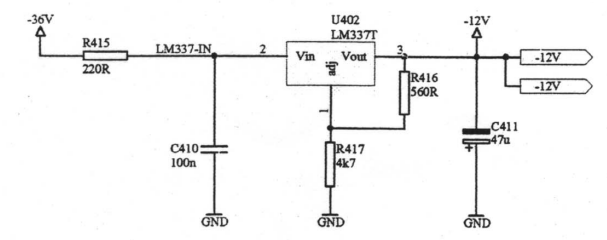
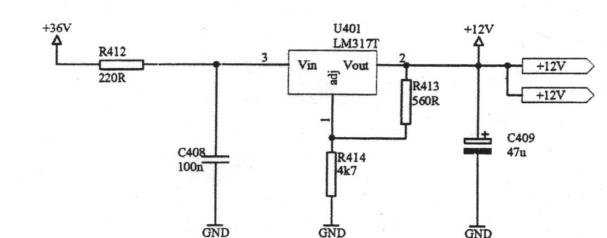
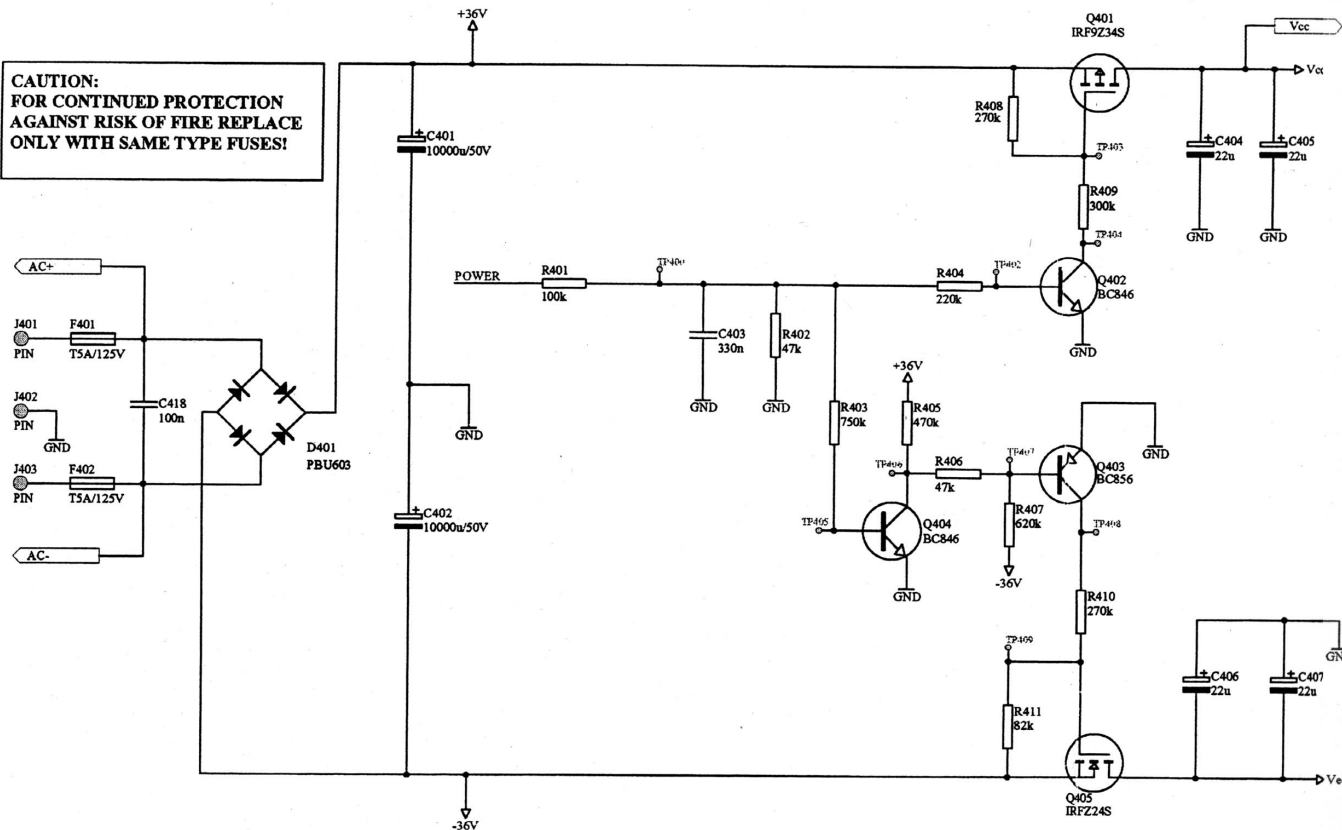


Title: Equalizer, Auto on/off		Item no: 2000003	
Project: E 8SUB		Revision: E	
		Date / Time: 13-Nov-2000 / 12:46:27	
		Drawn by: H.L.A.	
File: P:\WORK\8SUB\SCH42000003\EQUALIZER.SCH		Sheet 2 of 4	



Title: Limiter		Item no: 2000003	
Project: E 8SUB		Revision: E	
		Date / Time: 13-Nov-2000 / 12:46:35	
		Sheet size: B	
File: P:\WORKE 8SUB\SCH\2000003\LIMITER.SCH		Drawn by: HLA	
		Sheet 3 of 4	

CAUTION:
FOR CONTINUED PROTECTION
AGAINST RISK OF FIRE REPLACE
ONLY WITH SAME TYPE FUSES!



Title: Power supply, Amplifier		
Project: E 8SUB		
	Jamo AS	Item no: 2000003
	Elmvej 8, Glyngøre	Revision: E
	DK-7870 Bcsløv, Denmark	Date / Time: 13-Nov-2000 / 12:48:18
	Phone +45 99767876	Sheet size: B
	Fax +45 99767800	Drawn by: HLA
File: P:\WORK\E 8SUB\SCH2\200003\PS-AMP_SCH		
		Sheet 4 of 4