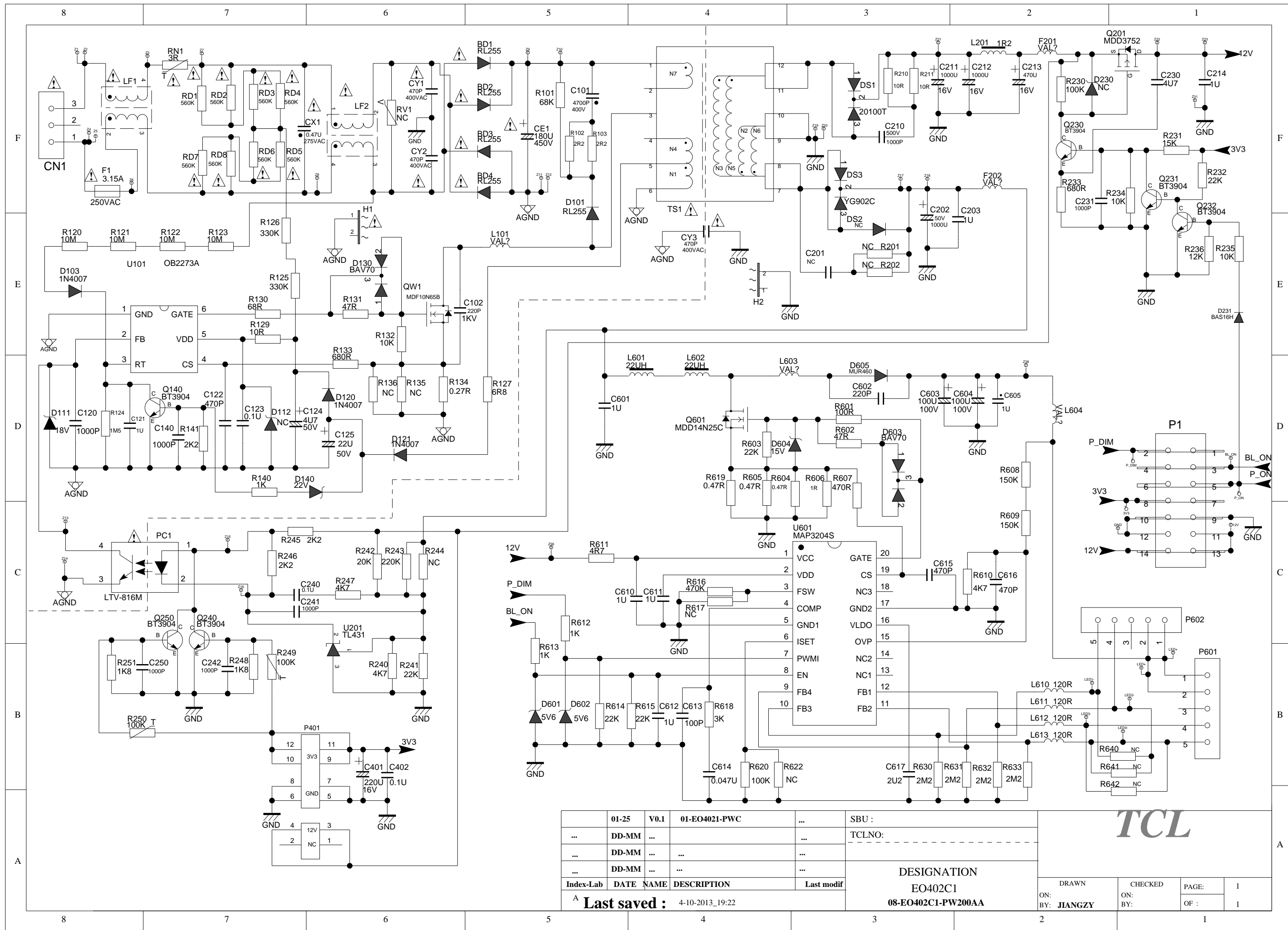


THIS DRAWING CANNOT BE COMMUNICATED TO UNAUTHORIZED PERSONS UNLESS PERMITTED IN WRITING



01-25	V0.1	01-EO4021-PWC	...	SBU :
...	DD-MM	...	...	TCLNO: - - - - -
...	DD-MM	...	...	
...	DD-MM	...	...	
Index-Lab	DATE	NAME	DESCRIPTION	Last modif
A	Last saved :	4-10-2013_19:22		

DESIGNATION  
EO402C1  
08-EO402C1-PW200AA

DRAWN ON: BY: JIANGZY		CHECKED ON: BY:		PAGE: 1
				OF : 1

