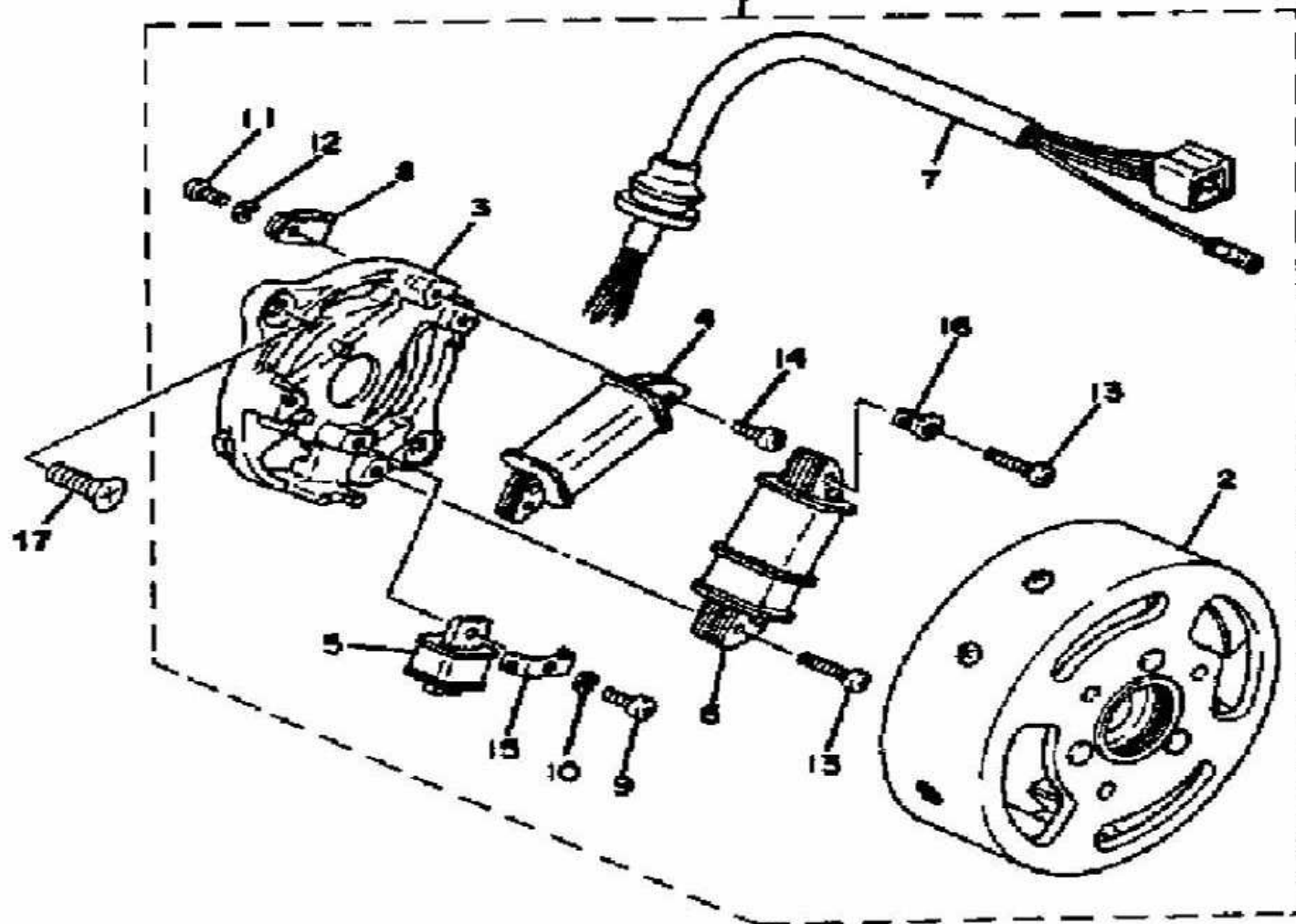


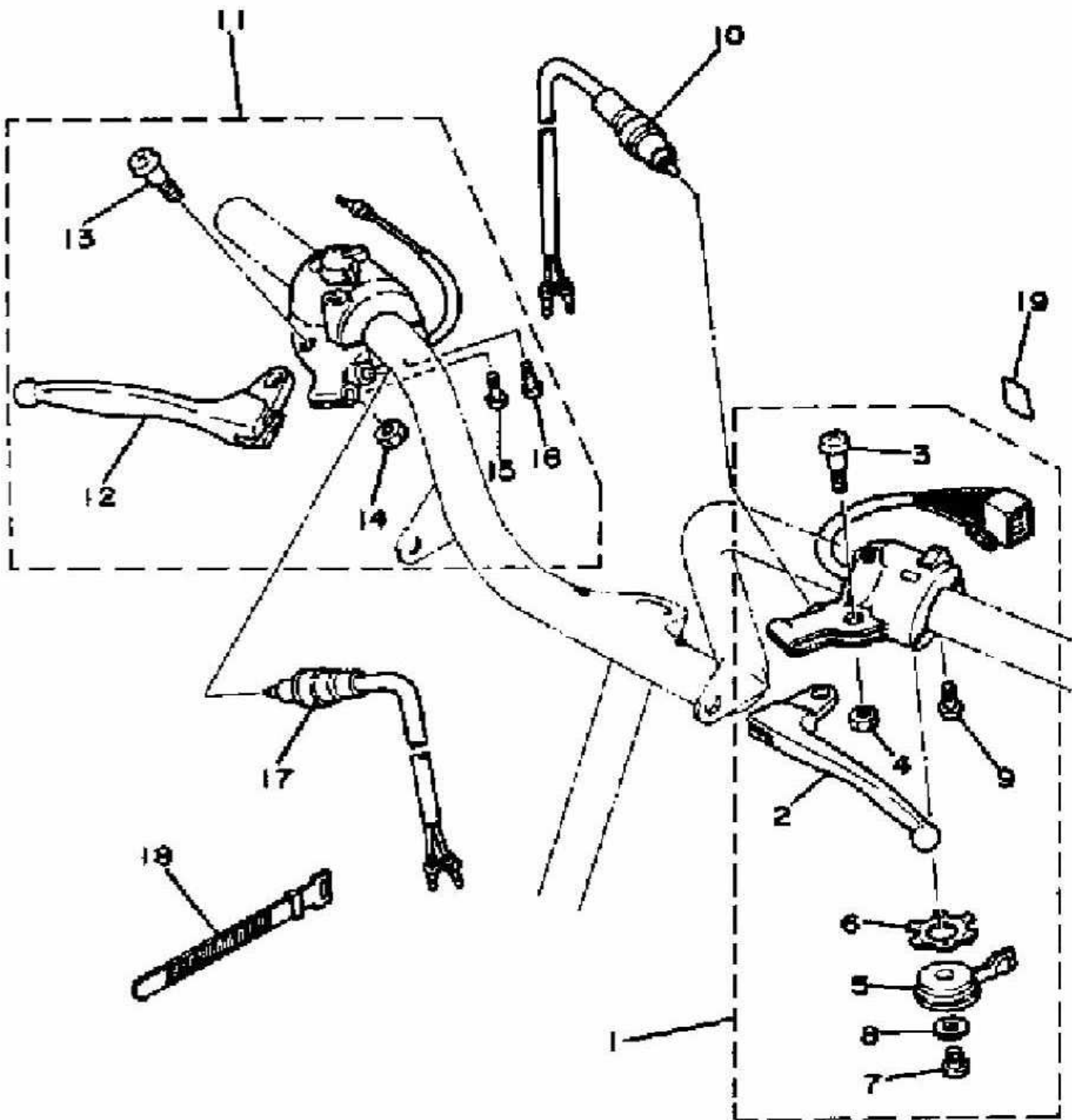
QT50T

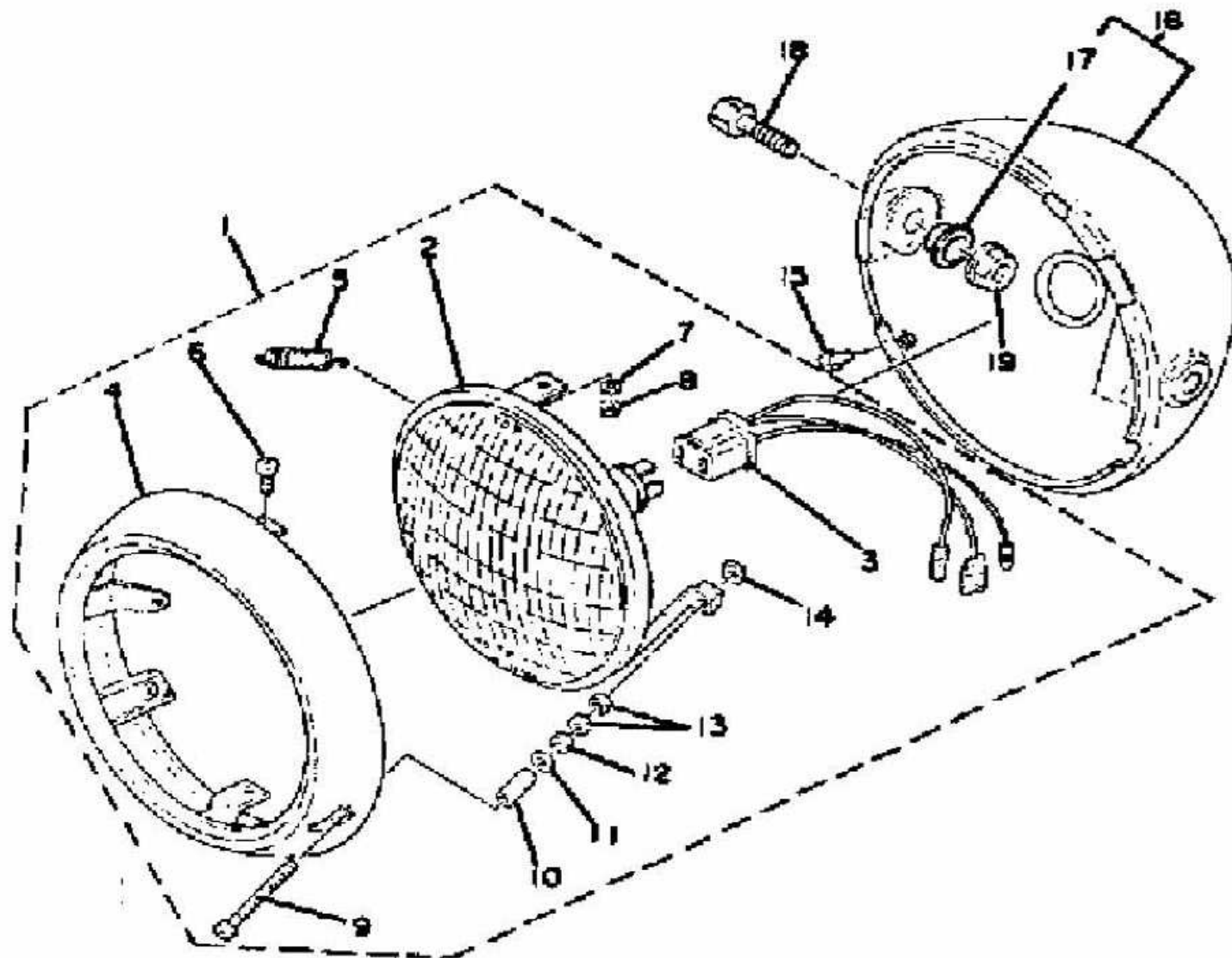
CHARGING SYSTEM		Flywheel Magnets Single Phase, Half Wave
Battery: Model / Specific Gravity / Charge Rate	6N6-2A (4V8AH) / 1.26 / 0.1A	
Maximum Output	7.9V 2.0A @ 6000 rpm	
Field Coil Color Code / Ω	ø	
Stator Coil Color Code / Ω	ø	
Charge Coil Color Code / Ω	W ~ B / 0.36Ω ±10%	
IGNITION SYSTEM		Capacitor Discharge
Ignition Timing (BTDC)	3.94mm	16" @ 5,000 rpm
Spark Plug Type	NGK BP4MS or ND W14FPL	
Spark Plug Gap / Torque / Cap Ω	3.6~0.7mm / 2.0m·kg (14 ft·lb) / 5kΩ ±20%	
Ignition Coil Test Gap / Primary Ω / Secondary Ω	7mm / 1.6Ω ±10% / 6.6kΩ ±20%	
Pulse Coil or Pickup Coil Color Code / Ω	W/R~B / 20Ω ±10%	
Source Coil Color Code / Ω	B/R ~ B / 320Ω ±10%	



QT50S

CHARGING SYSTEM	Flywheel Magneto, Single Phase, Half Wave
Battery Model / Specific Gravity / Charge Rate	6N4-2A-2 (5V4AH) / 1.26 / 0.4A
Maximum Output	7.9V 2.0A @ 5000 rpm
Field Coil Color Code / Ω	⊕
Stator Coil Color Code / Ω	⊕
Charge Coil Color Code / Ω	Whi ~ Blk / 0.268Ω ± 20%
IGNITION SYSTEM	Capacitor Discharge
Ignition Timing	0.94mm BTDC 16° @ 5000 rpm
Spark Plug Type	NGK B6HS or ND W14FP
Spark Plug Gap / Torque / Cap Ω	0.6~0.7mm / 2.0m·kg (14.5 Ft·lb) / 5KΩ ± 20%
Ignition Coil Test Gap / Primary Ω / Secondary Ω	7mm / 4.6Ω ± 10% / 6.6KΩ ± 20%
Pulser Coil or Pickup Coil Color Code / Ω	Whi-Red~Blk / 20Ω ± 10%
Source Coil Color Code / Ω	Blk-Red ~ Blk / 307Ω ± 10%





QT50S

LIGHTING SYSTEM	
Headlight / Taillight / Signal Rating	6V20-20W / 6V17-5.3W / 6V17W
Lighting Coil Color Code / Ω	Blu ~ Blk / 0.177Ω ± 20%

QT50T

LIGHTING SYSTEM	
Headlight / Taillight / Signal Rating	6V20-20W / 6V17-5.3W / 6V17W
Lighting Coil Color Code / Ω	Y ~ B / 0.25Ω ± 10%

