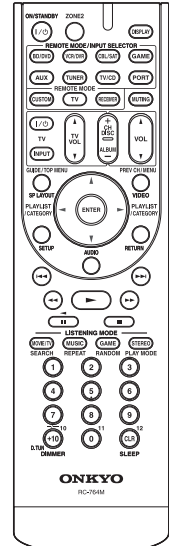
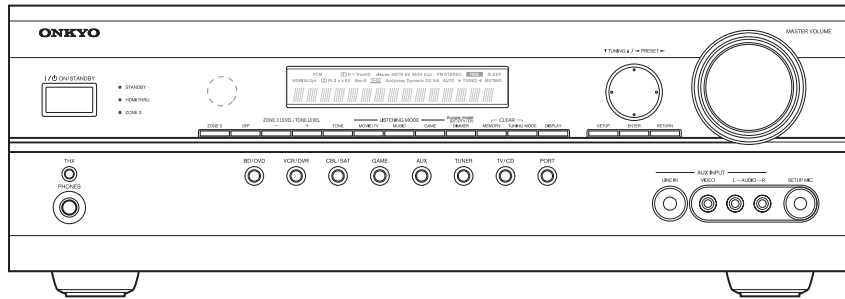


ONKYO SERVICE MANUAL

SERVICE MANUAL

AV RECIEVER MODEL HT-R980 (B)

Black model



RC-764M


HT-R980 in HTiB "HT-S9300"

BMDC	120V AC, 60Hz
------	---------------

HT-R980 in HTiB "HT-S9305"

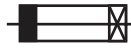
BMPP	230V AC, 50Hz
------	---------------

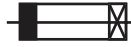
SAFETY-RELATED COMPONENT WARNING!!

COMPONENTS IDENTIFIED BY MARK  ON THE SCHEMATIC DIAGRAM AND IN THE PARTS LIST ARE CRITICAL FOR RISK OF FIRE AND ELECTRIC SHOCK. REPLACE THESE COMPONENTS WITH ONKYO PARTS WHOSE PART NUMBERS APPEAR AS SHOWN IN THIS MANUAL. MAKE LEAKAGE-CURRENT OR RESISTANCE MEASUREMENTS TO DETERMINE THAT EXPOSED PARTS ARE ACCEPTABLY INSULATED FROM THE SUPPLY CIRCUIT BEFORE RETURNING THE APPLIANCE TO THE CUSTOMER.

SERVICE PROCEDURE

1. Replacing the fuses

 This symbol located near the fuse indicates that the fuse used is show operating type, For continued protection against fire hazard, replace with same type fuse, For fuse rating, refer to the marking adjacent to the symbol.

 Ce symbole indique que le fusible utilise est e lent. Pour une protection permanente, n'utiliser que des fusibles de meme type. Ce dernier est indique la qu le present symbol est appose.

REF. NO.	PART NAME	DESCRIPTION	PART NO.	REMARKS
F6901	FUSE	10A-UL/T-233	252330GR	<B MDC, MPP>
F6901 or	FUSE	10A-T/UL-ST2	252333GR	<B MDC, MPP>
F6902	FUSE	10A-UL/T-233	252330GR	<B MDC, MPP>
F6902 or	FUSE	10A-T/UL-ST2	252333GR	<B MDC, MPP>
F901	FUSE	4A-SE-EAK FUSE	252077GR	<B MPP>
F901 or	FUSE	4A-SE-TL250V	252277GR	<B MPP>
F901	FUSE	8A-UL/T-233	252329GR	<B MDC>
F901 or	FUSE	8A-T/UL-ST2	252261GR	<B MDC>

<MDC>: Canadian model

<MPP> : European model

2. Safety check out

(U.S.A. model only)

After correcting the original service problem, perform the following safety check before releasing the unit to the customer.

Leakage current Check

Measure the leakage current to a known earth ground (water pipe or conduct etc.) by connecting a leakage current tester between the earth ground and exposed metal parts of the unit (input/output ground terminals, screw heads or metal overlays etc.).

Plug the power supply cord directly into a 120V AC 60Hz wall socket and turn ON/STANDBY button on.

Any current measured must not exceed 0.5mA.

3. To initialize setting

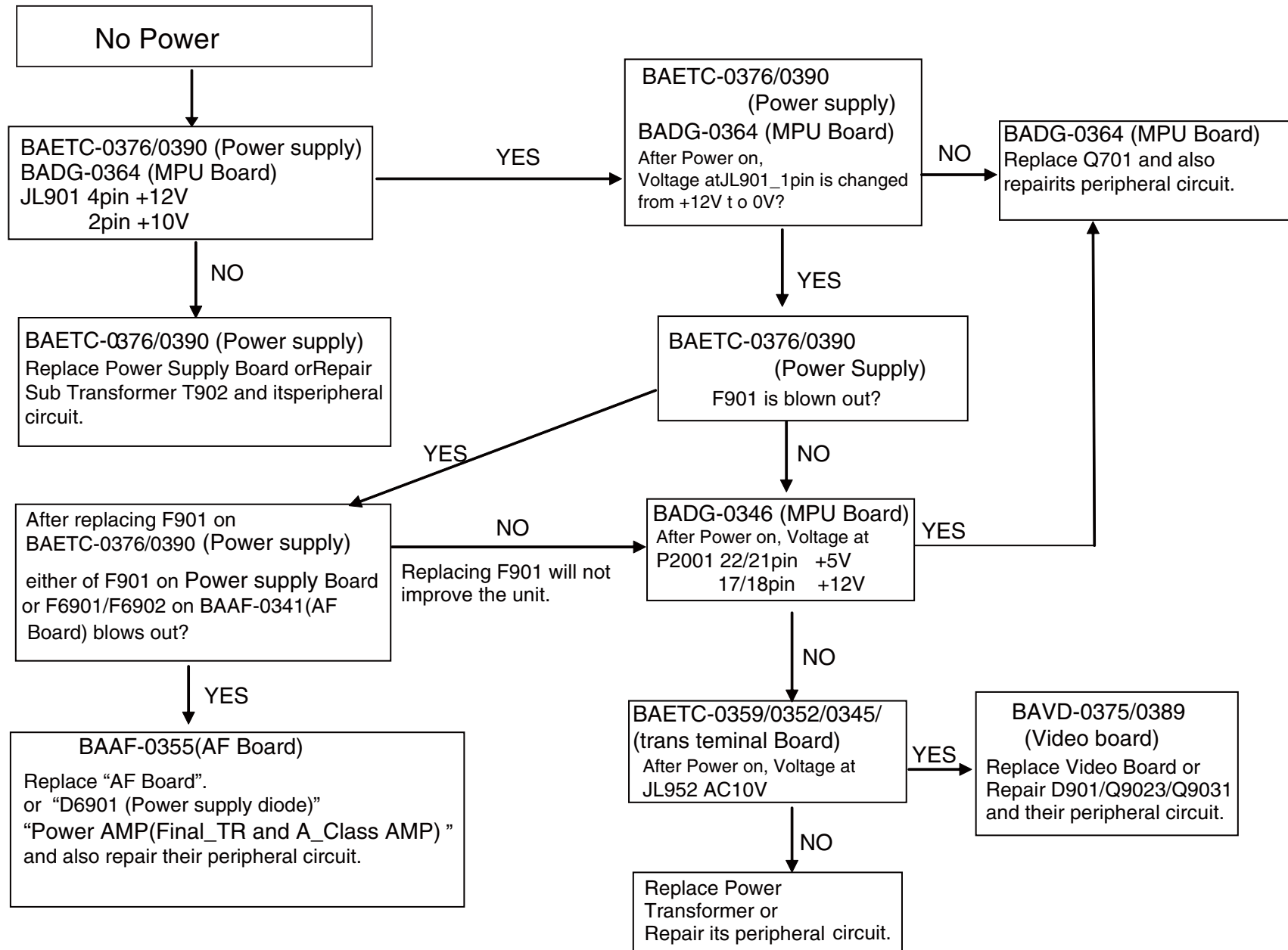
Initialization of memories.

Press **ON/STANDBY** button while pressing down **VCR/DVR** button when the unit is POWER ON, then the FLT displays "CLEAR", and turn to STAND-BY.

Remove power cord from power line.

TROUBLE SHOOT-1 No Power

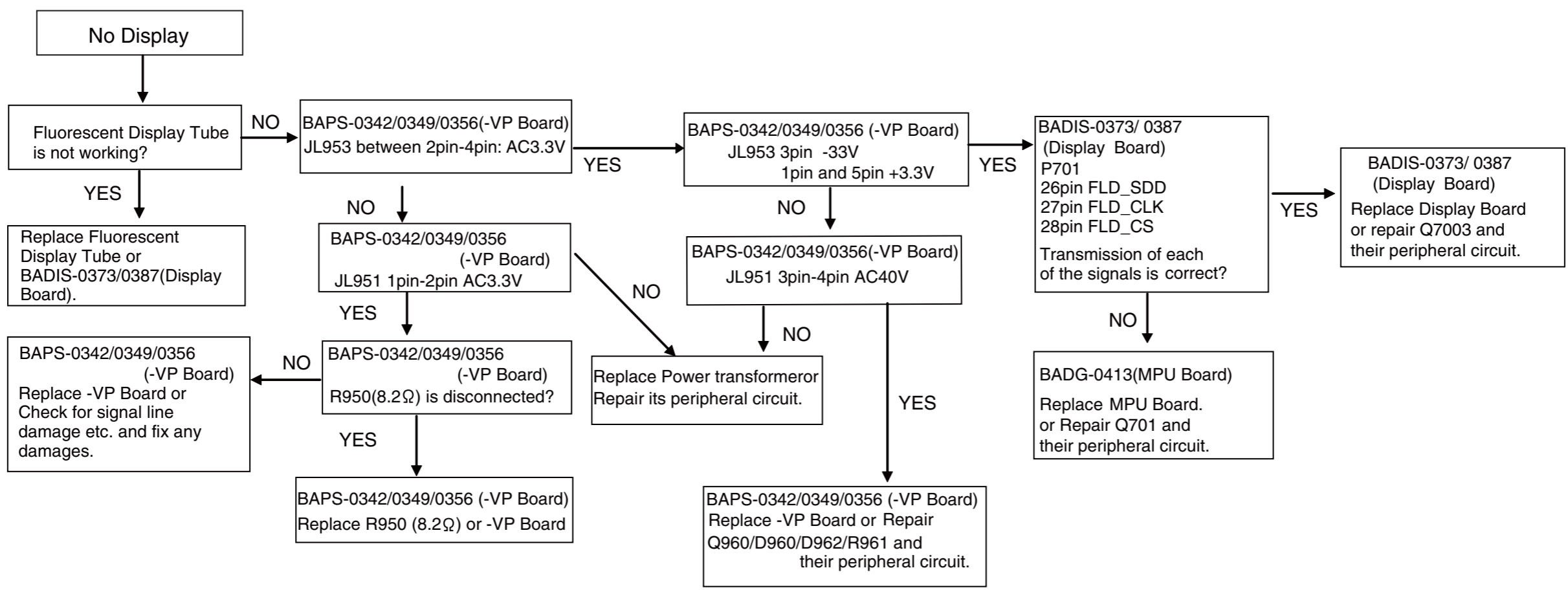
This is just for general reference and does not including every single case.



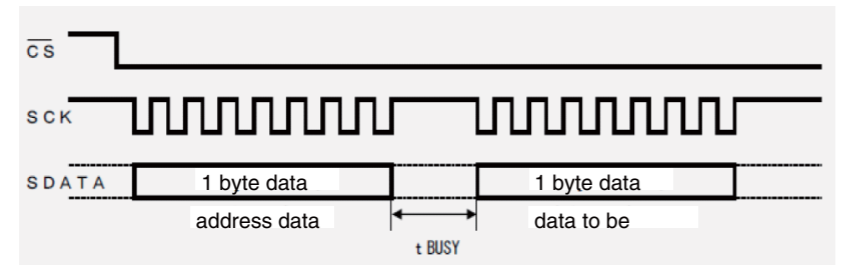
TROUBLE SHOOT- 2
No Display

This is just for general reference and does not include every single case.
The above waveforms are got by Oscilloscope of Maximum Horizontal Sensitivity: 100MHz.
The results depend on the oscilloscope.

1
2
3
4
5



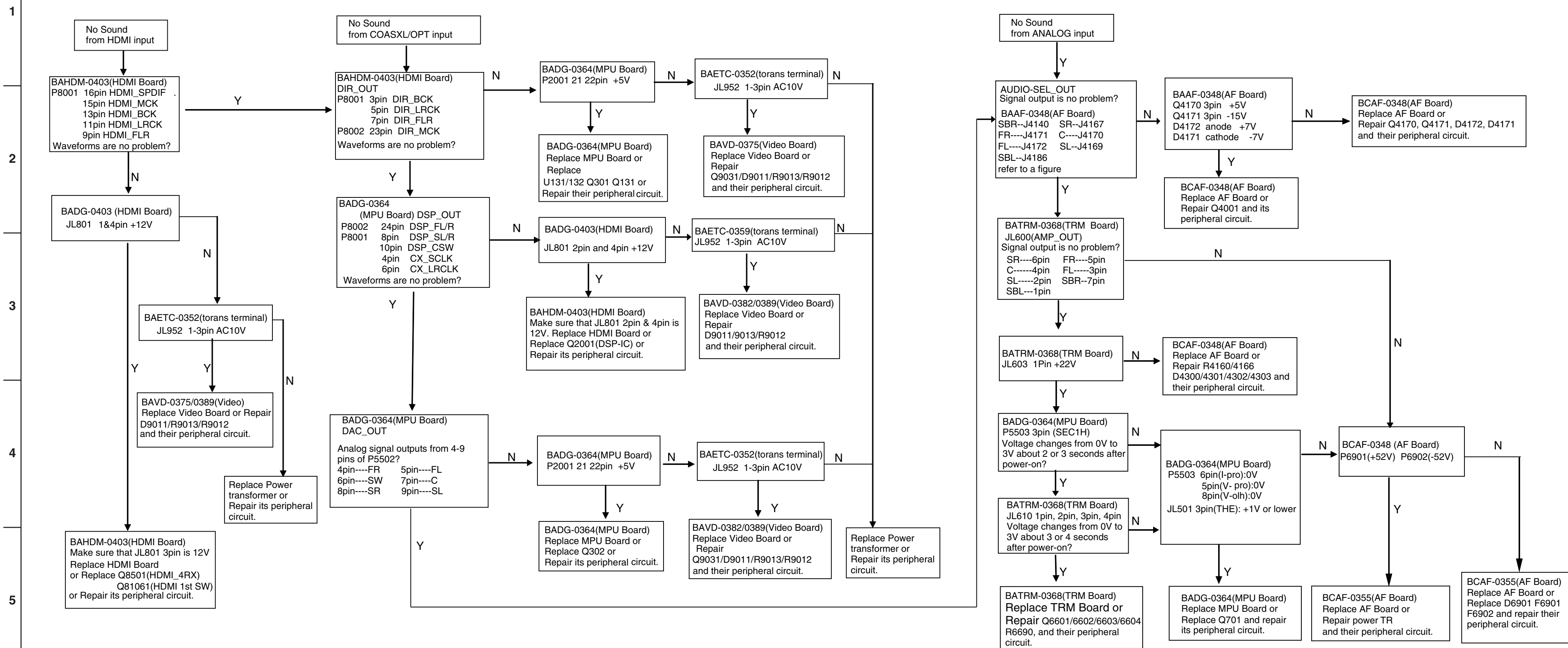
Timing of Serial Communication



	FLD_CLK	FLD_SDD(DATA)	FLD_CS
V:1V/cm H:02Msec/cm			
V:1V/cm H:10µsec/cm			
V:1V/cm H:1µsec/cm			

**TROUBLE SHOOT-3
No Sound**

Note:
This is just for general reference and does not include every single case.
The above waveforms are got by Oscilloscope of Maximum Horizontal Sensitivity: 100MHz.
The results depend on the oscilloscope.

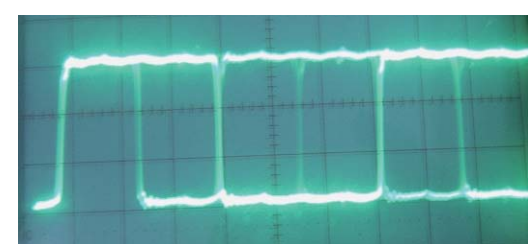


Repair

7

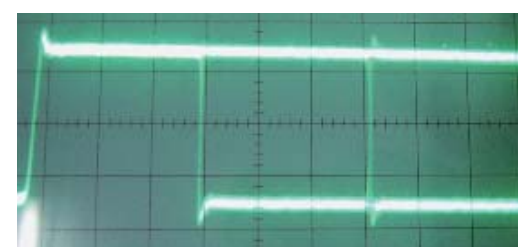
8

HDMI_SPDIF



V:1V/cm H:0.1μ/cm

DIR_FLR
DSP_FLR/SLR/CSW
HDMI_FLR



V:1V/cm H:0.1μ/cm

DIR_LRCK
CX_LRCK
HDMI_LRCK



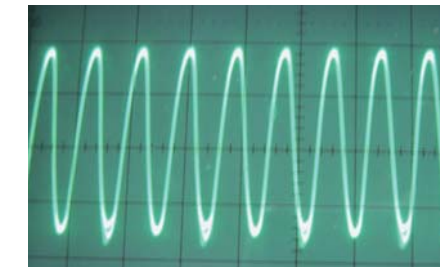
V:1V/cm H:5μ/cm

DIR_BCK
CX_SCLK
HDMI_BCK

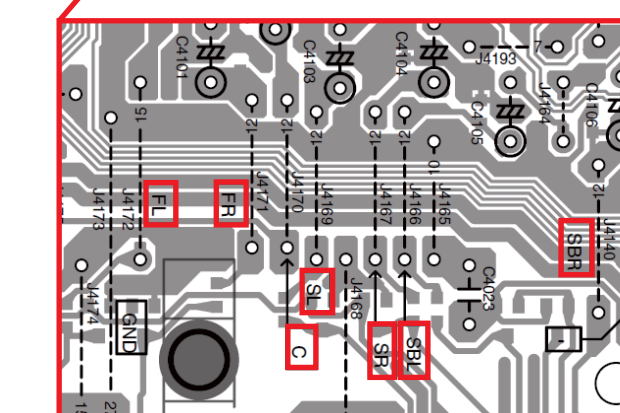
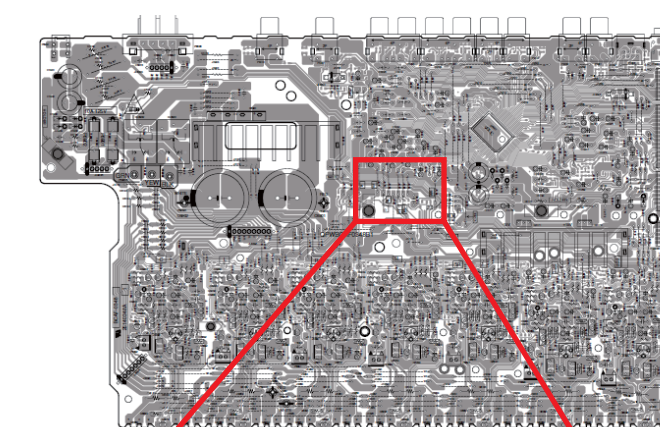


V:1V/cm H:0.1μ/cm

DIR_MCK
HDMI_MCK

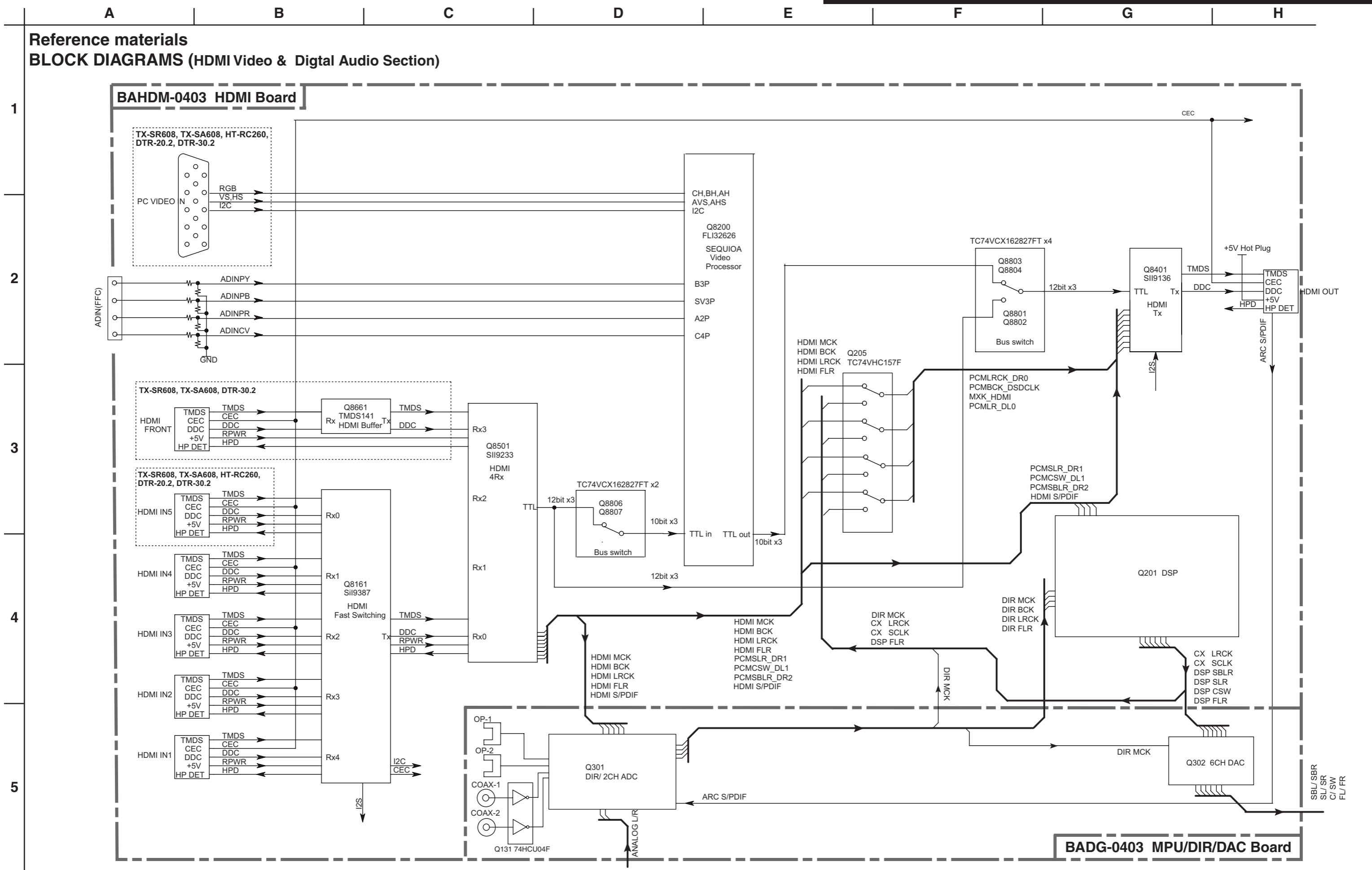


V:1V/cm H:0.1μ/cm

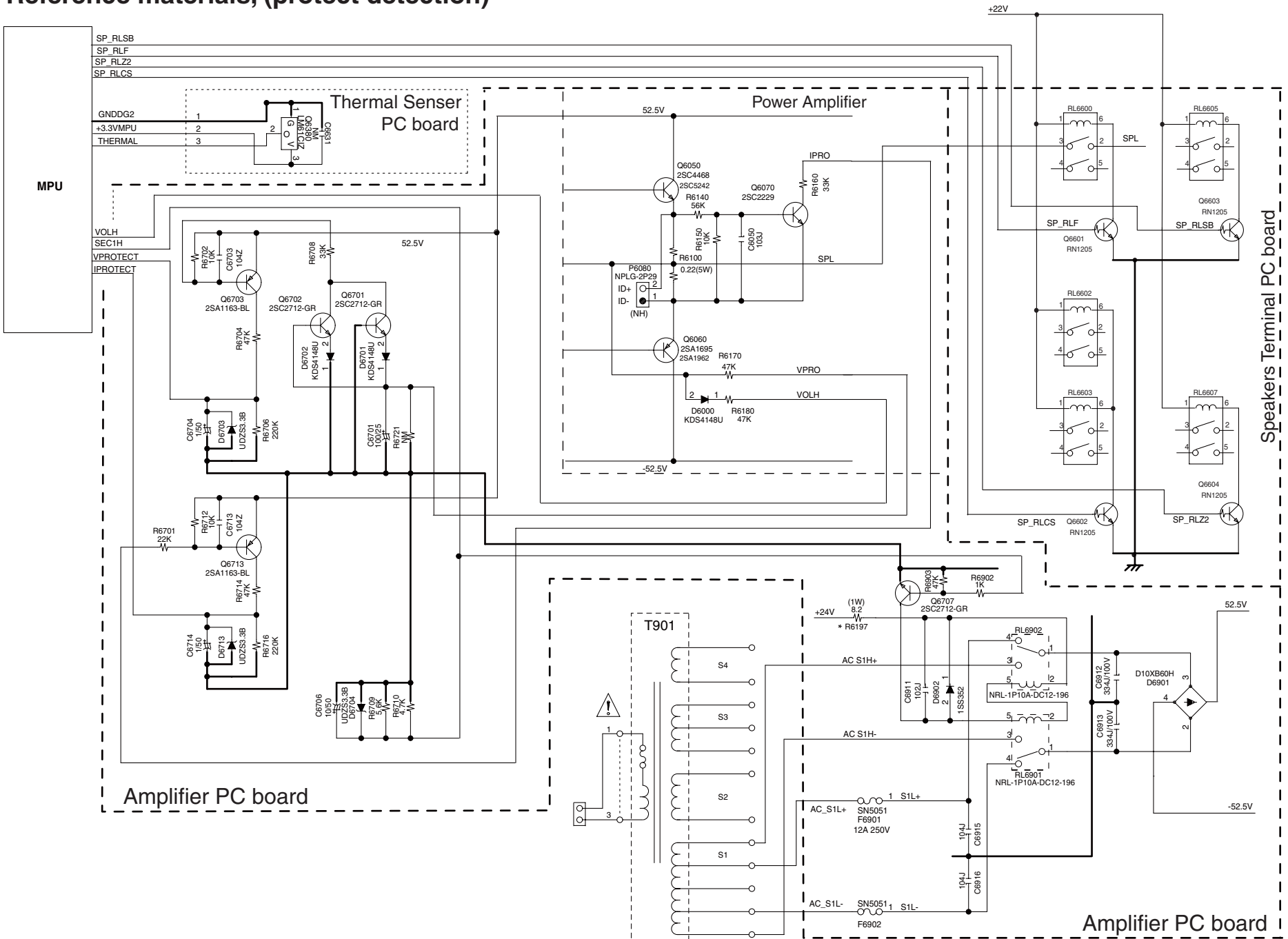


figure

Reference materials
BLOCK DIAGRAMS (HDMI Video & Digital Audio Section)



Reference materials, (protect detection)



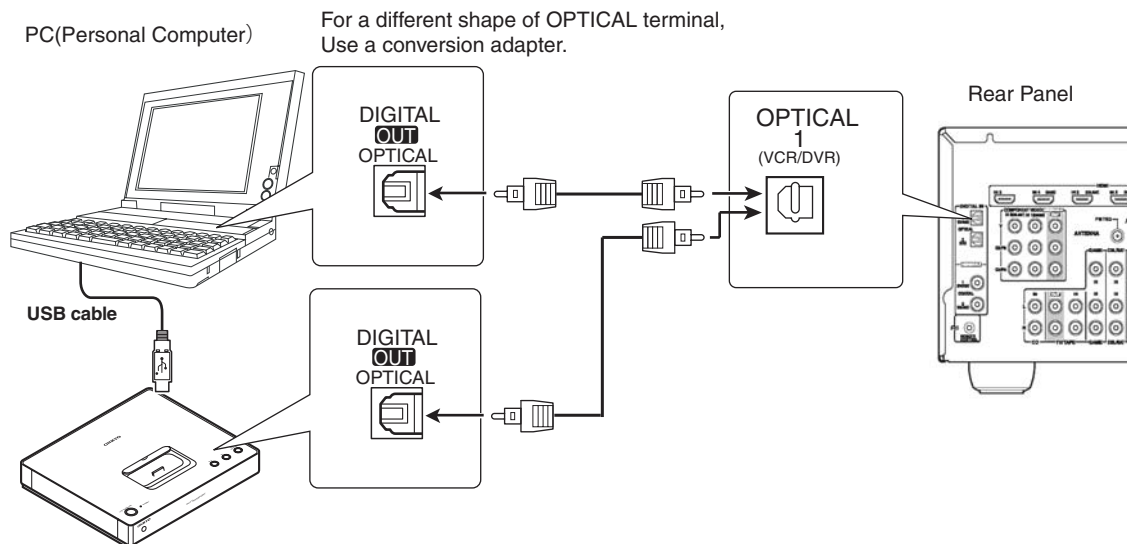
Speakers Terminal PC board

MMPU/ VMPU/ DSP Update Procedure-1

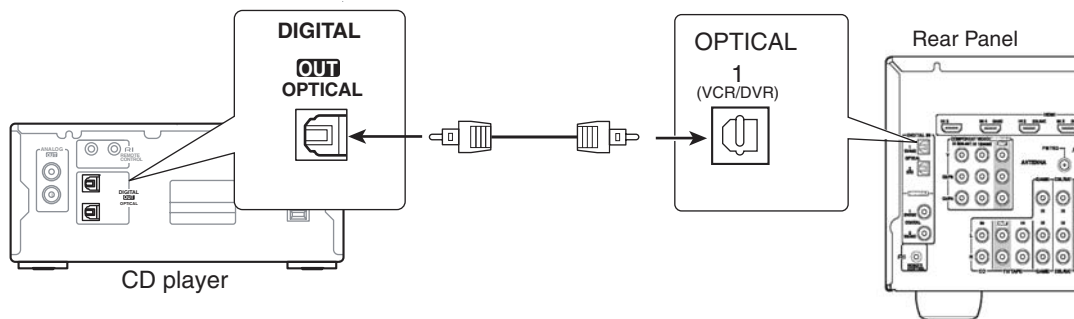
Preparation for Update-1

1. PC (Personal Computer) which can play back wav files and output digital audio signal under Windows XP.
 2. Software: Given wav-formatted FW Store it in the PC in advance (PC Update) or burn a CD-R with it as a music disc (CD Update).
 3. Connection: DIGITAL (OPTICAL/COAXIAL) output of PC/CD Player --> DIGITAL (OPTICAL-1/COAXIAL-1) INPUT of TX-SR608 etc.
- * PC needs to be able to handle wav files and output digital audio signal.
 - * For wav-compatible PCs which do not output audio signal at the above specification, use a commercially-available USB-AUDIO interface unit. e.g. Onkyo-made ND-S1
 - * PC needs to run Windows XP. Windows Vista and Windows 7 do not work.
 - * Set wave Volume to Maximum including Volume Control in Control Panel. For further information, please see Owner's manual of your PC.
 - Control Panel --> Sounds and Audio Devices
 - > Volume tab
 - > Advanced
 - > Turn all the levels to Max.
 - * Instead of PC, CD players with DIGITAL output terminal can be used.
- Note: CD players need to output digital audio signal .
Some CD players and DVD players are not suitable for update because they process audio signal to output.
Burn a CD-R as music disc.

Connection Example



USB-AUDIO interface unit. e.g. Onkyo-made ND-S1



<NOTE 1>

When not display it about 20 seconds later "Writing" .
right digital audio signal is not output.

Check the connection and settings and try again.

When another try results in failure again, use the other update method.

<NOTE 2>

DURING FW UPGRADE, DO NOT TURN OFF THE UNIT. DO NOT REMOVE ANY CONNECTIONS.
These operation will not allow FW Upgrade any more, and the whole board or IC will need replacing.

MMPU/ VMPU/ DSP Update Procedure-2

Update Procedure

1. While the unit is on, hold down [DISPLAY] and then press [ON/STANDBY].
Main FW Version will be shown on Front Display.

e.g. M:1.02/10323AE — * It depends on the version.

2. While Main FW Version is shown, press [+(TONE)].
DSP FW Version will be shown on Front Display.

e.g. D:1.02/10416a38 — * It depends on the version.

3. While DSP FW Version is shown, press [RETURN].

AUTO → ALL

* ▲TUNING▼ key changes “AUTO ▼ COAX1 ▼ OPT1.”

(“AUTO” means “COAX1” or “OPT1” will be automatically detected.)

*◀TUNING▶key changes “ALL ▶ MMPU ▶ VMPU ▶ DSP ▶ VSP ▶ PORT”.

(TOTAL = MMPU+VMPU+DSP+VSP+PORT)

4. When MMPU VMPU and DSP FWs are upgraded at the same time, select “AUTO → ALL” and press “ENTER.”

*The FW data please use Package Wev file.

For separate upgrade, select “MMPU” “VMPU” or “DSP” and please “ENTER.”

*The partial renewal cannot use Package Wev file.
Please use individual Wav File.

S/PDIF Update..

5. PC upgrade: Play back the stored wav file in your PC.

CD upgrade: Play back the FW CD-R with the connected CD player. It takes about 15 minutes.

[NOTE] Make sure that “**dolby dts**” is shown before starting playback.

About 20 seconds later, the message will change from **S/PDIF Update..** to **Writing...**

When “Writing...” will not be shown, the output music data is not correct.

Check the connection and settings.

S/PDIF Update..

 Playback starts. (Playback time: about 20 minutes)

↓ (about 20 seconds)

DSP Writing...

VMPU Writing

MMPU Setting

FW-Update 00000

After playback finishes, update will start.

FW-Update FF000

(just after “FF000” is shown)

OK:Sum=*****

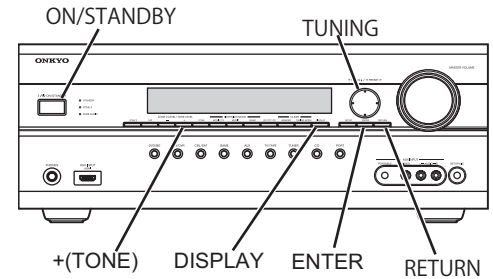
“*****” depends on the version.

6. Unplug AC cord and plug it again. Press [ON/STANDBY].

Clear

7. Make sure that “Clear” is shown and the unit is turned into the Standby mode.

8. Make sure that the FW versions are the latest.



VSP Update Procedure-1



Click the Gprobe exe and begin installation

1

2

3

4

5

6

7

8

9

10



Icon is displayed to a desktop.

VSP Update Procedure-2

1 Making Batch file

1.1 Creat a folder that Batch file and Object files are put.

In the example below, the folder named Sequoia(Arbitrariness) is made under C drive.

1.1.1 In this folder, put the txt file and the hex files such as below.

isp_spi_ext_64M.txt
isp_spi_ext_64M.hex
AE_Sig_BF.hex
SequoiaONK_10305a.hex

Please download these files from the Release data base server.

Please change the name of the hex file (underlined in the example below) in 'isp_spi_ext_64M.txt' properly according to the version.

The example below explains the name partitions of the hex file:

SequoiaONK_10305a.hex
Sequoia : acronym for the Video Processor Chip Sequoia
10305a: The firmware release date. The fifth of march 2010

VSP Update Procedure-3

2. Connection

2.1 PC(RS232C COM Port) Connection

Connect PC and RS232C straight cable.
Connect Conversion board to flat cable and that RS232C straight cable.



2.2 Unit(Rear Panel Slit) Connection

Connect the flat cable into the connector in the slit of the rear panel..



VSP Update Procedure-4

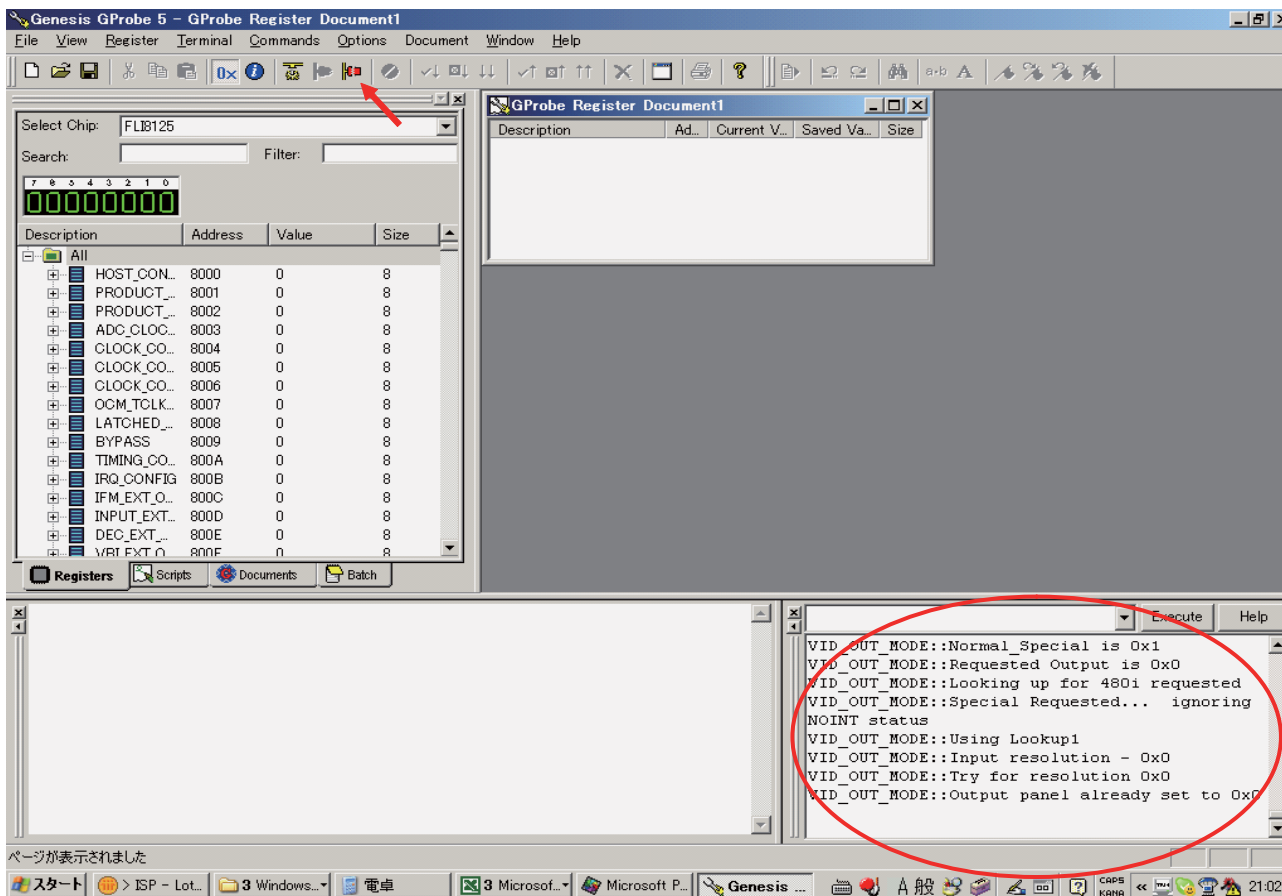
3 Execution of Gprobe

3.1 Click the Gprobe icon and start it.



3.2 Turn on the power supply of AVR.

If a Log message comes out the red icon shown below appears, it is connected properly.



Please wait for the output of a message to stop before writing the FW.

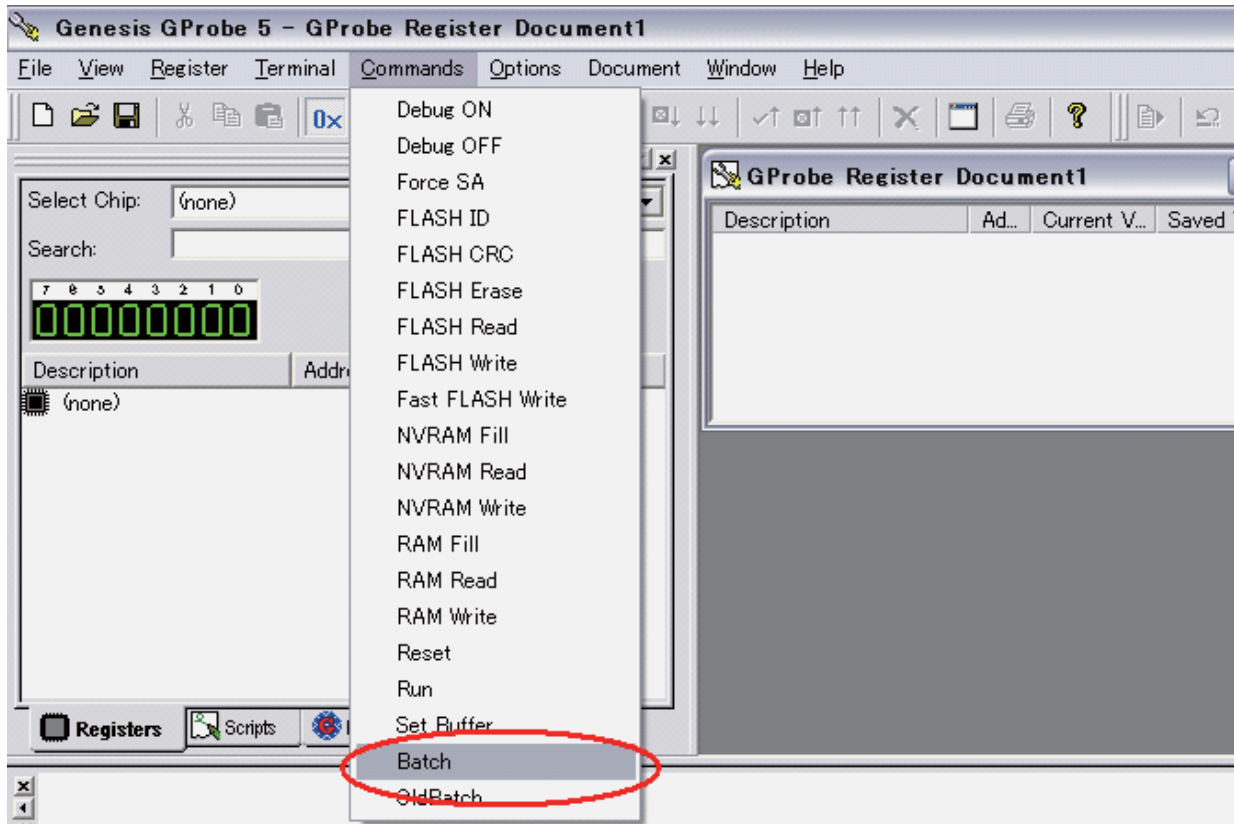
3.3 Batch

3.3.1 To click [Commands] in top tool bar.



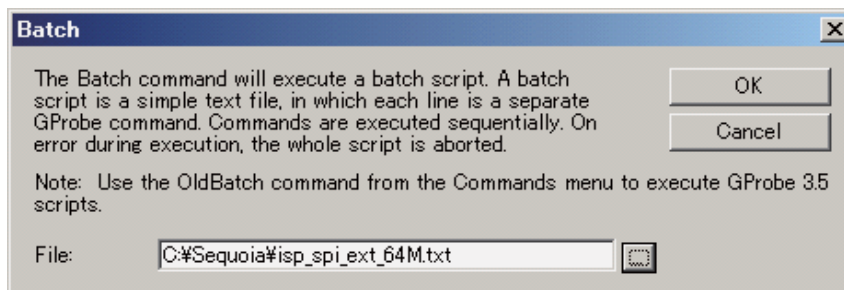
VSP Update Procedure-5

3.3.2 Click [Batch] in [Commands].



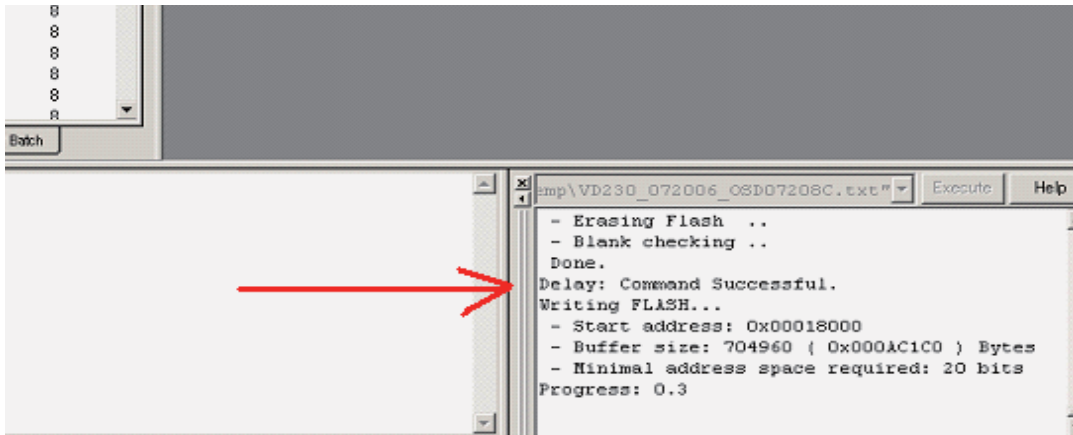
3.3.3 Choose the batch file that you should write in and click OK.

The file to choose then is text file "isp_spi_ext_64M.txt" in "Sequoia folder" which you made some time ago.



VSP Update Procedure-6

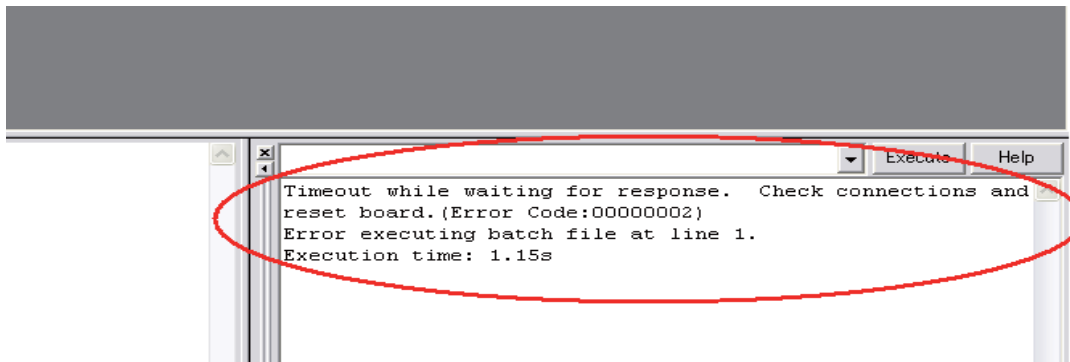
2.3.4 Writing begins when "Command Successful. Writing FLASH. . ." is displayed



```

8
8
8
8
8
R
Batch
x1 emp\VD230_072006_08D07208C.txt Execute Help
- Erasing Flash ..
- Blank checking ..
Done.
Delay: Command Successful.
Writing FLASH...
- Start address: 0x00018000
- Buffer size: 704960 ( 0x000AC1C0 ) Bytes
- Minimal address space required: 20 bits
Progress: 0.3
  
```

If the below message appears, the writing process has failed. Please try again.

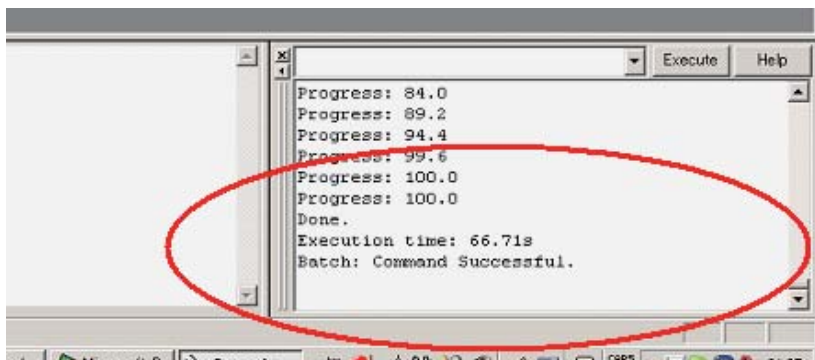


```

x1 Execute Help
Timeout while waiting for response. Check connections and
reset board.(Error Code:00000002)
Error executing batch file at line 1.
Execution time: 1.15s
  
```

3.3.5 Batch completion (writing completion).

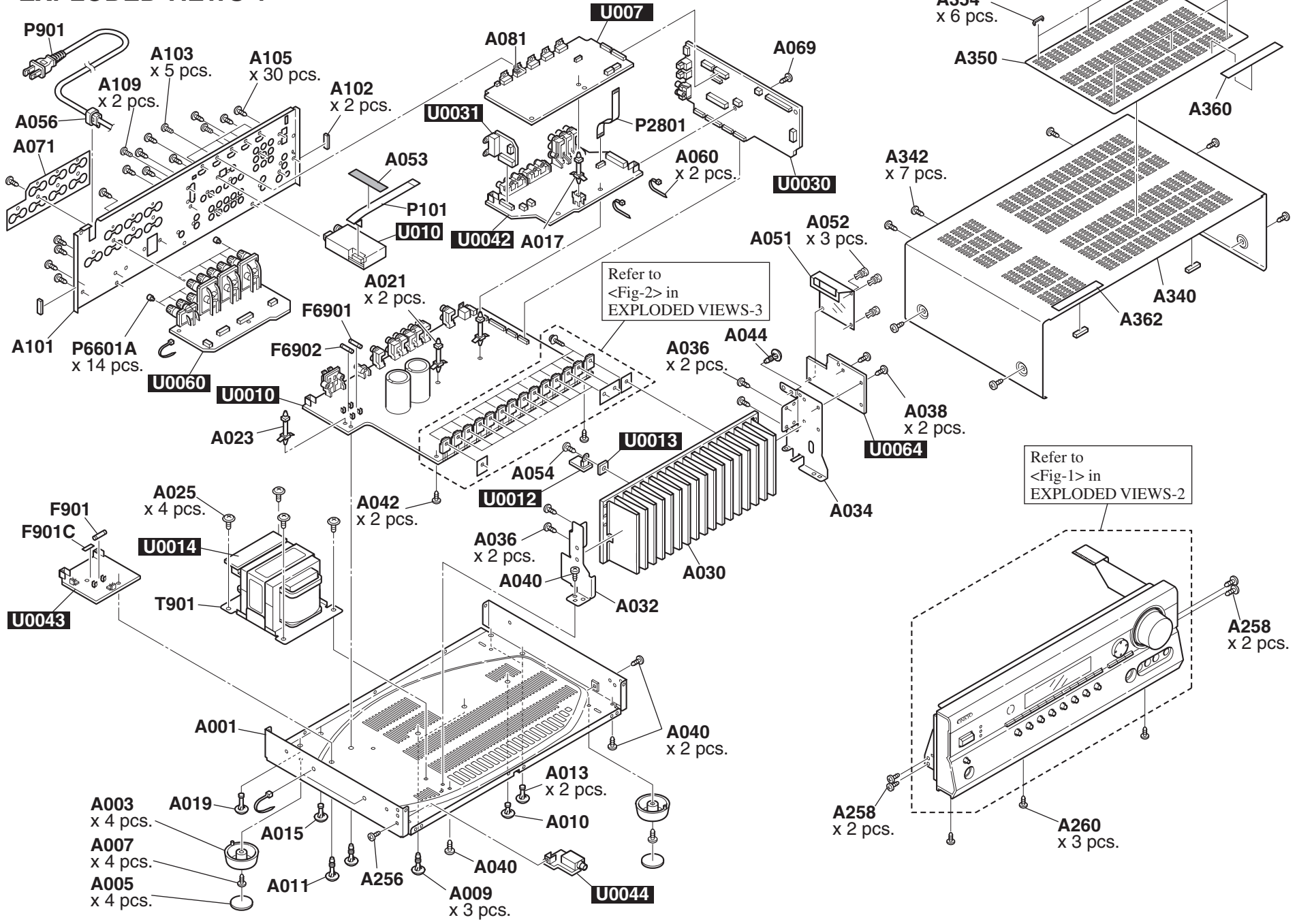
If the message named "Command Successful" appears as follows, the writing process is done. Please OFF/ON the power supply.



```

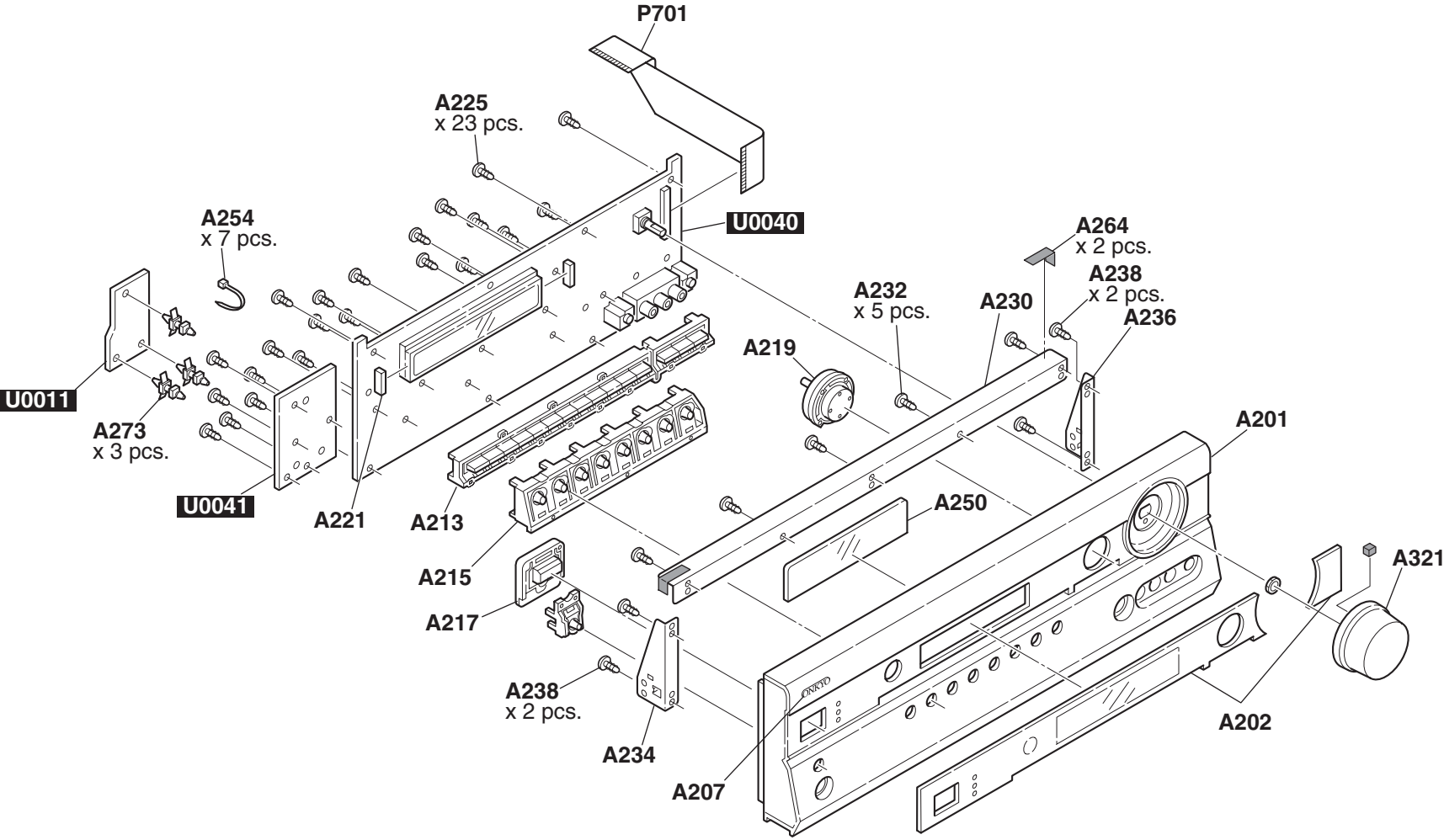
x1 Execute Help
Progress: 84.0
Progress: 89.2
Progress: 94.4
Progress: 99.6
Progress: 100.0
Progress: 100.0
Done.
Execution time: 66.71s
Batch: Command Successful.
  
```


EXPLODED VIEWS-1



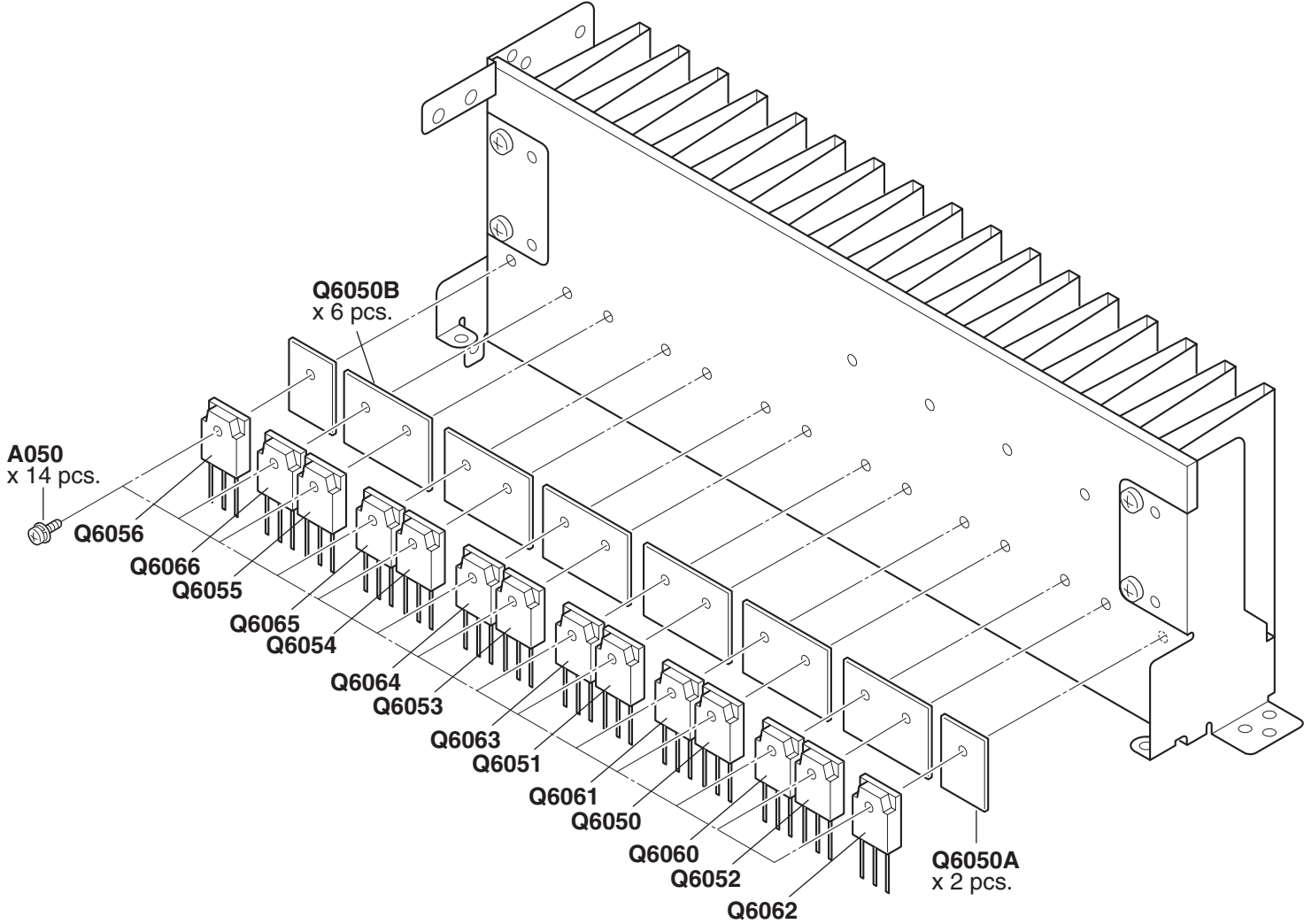
EXPLODED VIEWS-2

<Fig-1>



EXPLODED VIEWS-3

<Fig-2>

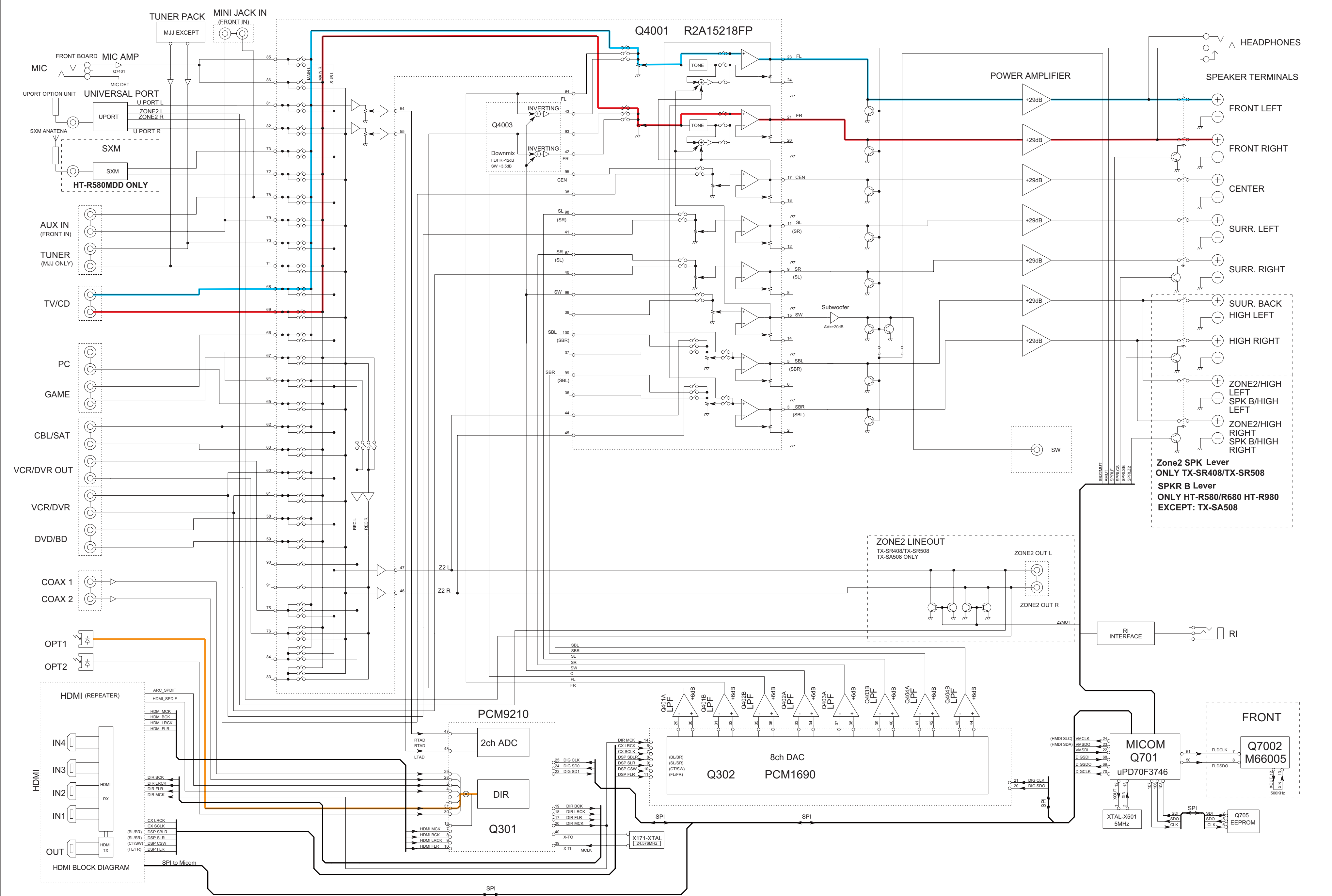


SCHEMATIC DIAGRAMS-1b

AUDIO BLK Section

AUDIO ANALOG SIGNAL(TV/CD) DIGITAL AUDIO SIGNAL(OPT-1)
FRONT L FRONT R

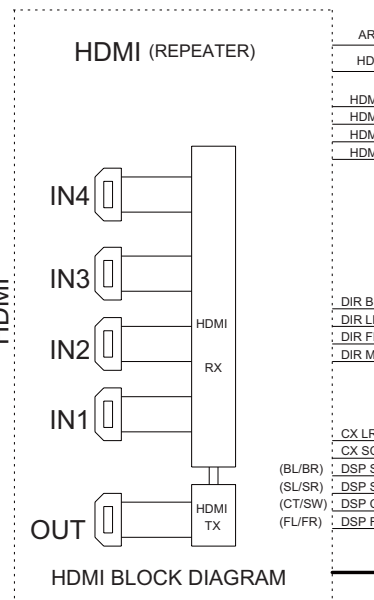
1
2
3
4
5
6
7
8



Zone2 SPK Lever
ONLY TX-SR408/TX-SR508
SPKR B Lever
ONLY HT-R580/R680 HT-R980
EXCEPT: TX-SA508

ZONE2 LINEOUT
 TX-SR408/TX-SR508
 TX-SA508 ONLY

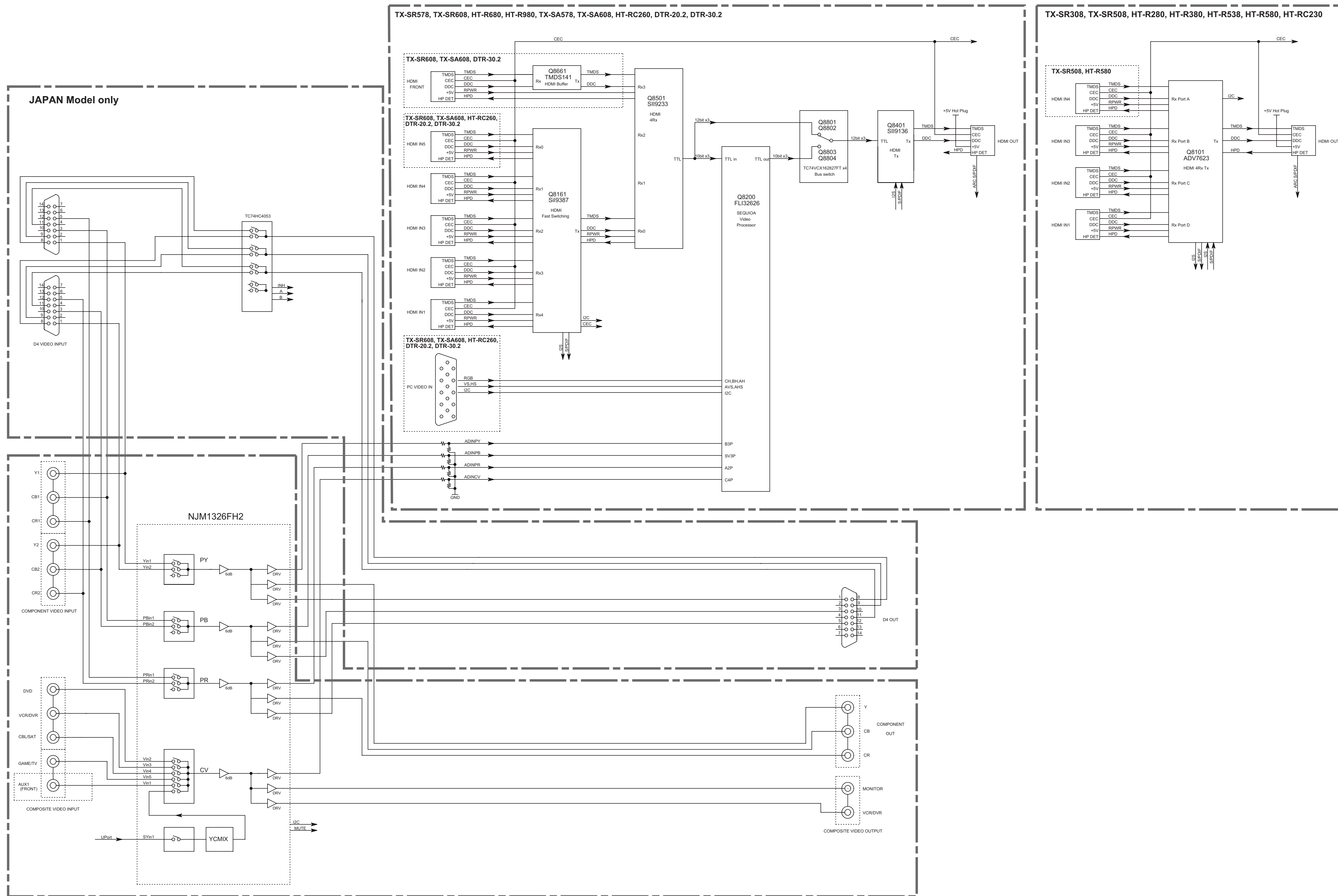
FRONT
 Q7002
 M66005



SCHEMATIC DIAGRAMS-2

Video BLK Section

1
2
3
4
5
6
7
8



SCHEMATIC DIAGRAMS-3b
AUDIO INPUT SECTION

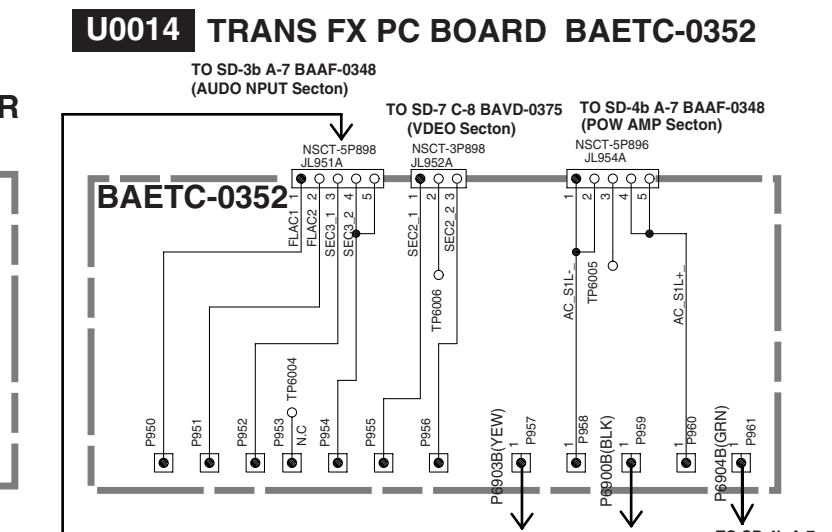
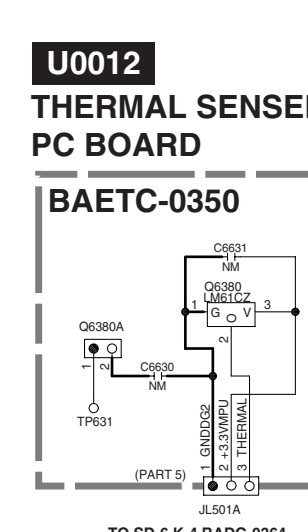
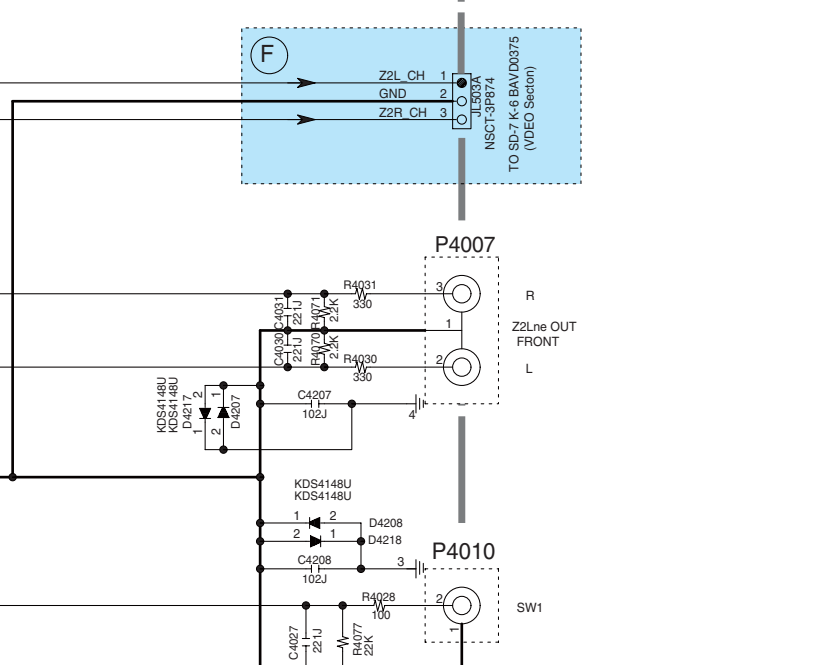
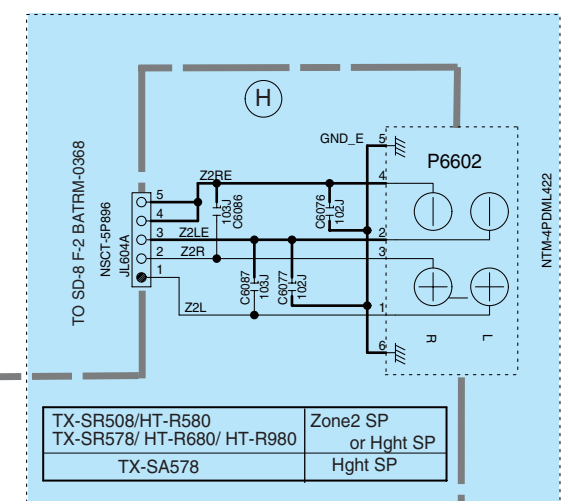
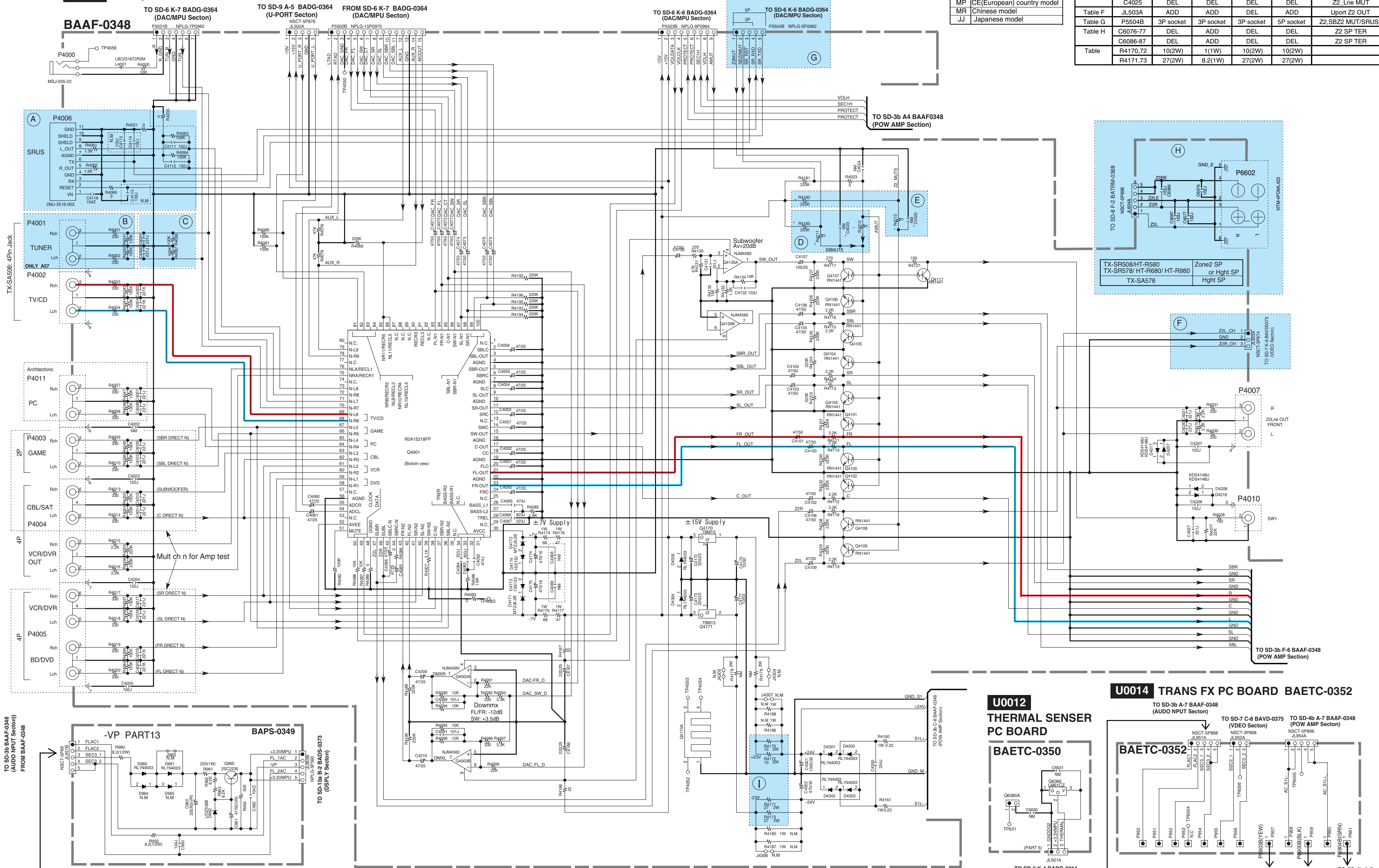
AUDIO ANALOG SIGNAL(TV/CD)
FRONT L
FRONT R

NOTE
DEL:Delete
ADD:Addition

DC	Canadian model
DD	USA model
DF	Taiwanese model
MO	Saudi Arabian model
MQ	Hong kong model
PA	Australian model
PB	
MB	U.K. model
PP	
MP	CE(European) country model
MR	Chinese model
JJ	Japanese model

Table A	DEL	DEL	DEL	ADD	SRUS
Table B	DEL	DEL	ADD	DEL	Tuner RCA input
Table C	R4067-68	100K	100K	DEL	100K
	C4001-02	152J	152J	221J	152J
Table D	R4180	ADD	ADD	DEL	ADD
	R4211	ADD	ADD	DEL	ADD
	C4023	DEL	DEL	DEL	DEL
	R4210	DEL	DEL	ADD	DEL
Table E	R4182	ADD	ADD	ADD	ADD
	R4213	ADD	ADD	ADD	ADD
	C4025	DEL	DEL	DEL	DEL
Table F	JL503A	ADD	ADD	DEL	ADD
Table G	P5504B	3P socket	3P socket	3P socket	5P socket
Table H	C6076-77	DEL	ADD	DEL	DEL
	C6086-87	DEL	ADD	DEL	DEL
Table	R4170,72	10(2W)	1(1W)	10(2W)	10(2W)
	R4171,73	27(2W)	8.2(1W)	27(2W)	27(2W)

U0010 AMP, ASP PC BOARD BAAF-0348



SCHEMATIC DIAGRAMS-4b
POWER AMP. SECTION

AUDIO ANALOG SIGNAL(TV/CD)

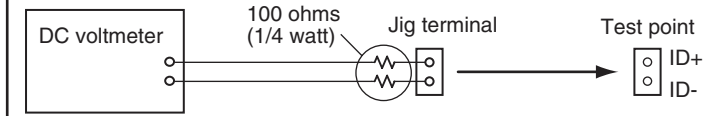
FRONT L
FRONT R

IDLING CURRENT ADJUSTMENT

1. Set the voltages at "P6080/6081/6082" to 2.5mV by adjusting "R6040/6041/6042", under the condition of no input and no load, immediately after POWER ON.
2. Set the voltages at "P6083/6084/6085/6086" to 1.5mV by adjusting R6043/6044/6045/6046, under the condition of no input and no load, immediately after POWER ON.
3. Re-adjust by following procedure after 4-6 minutes of heat running.

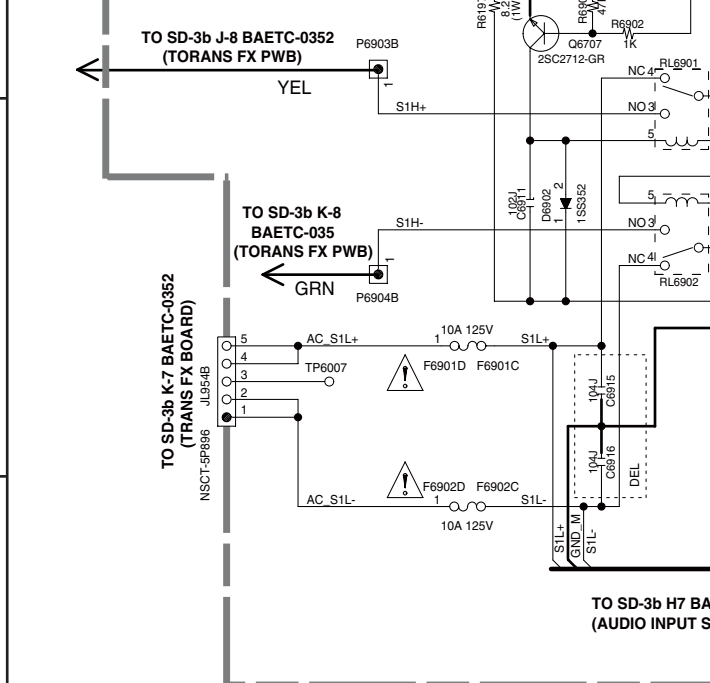
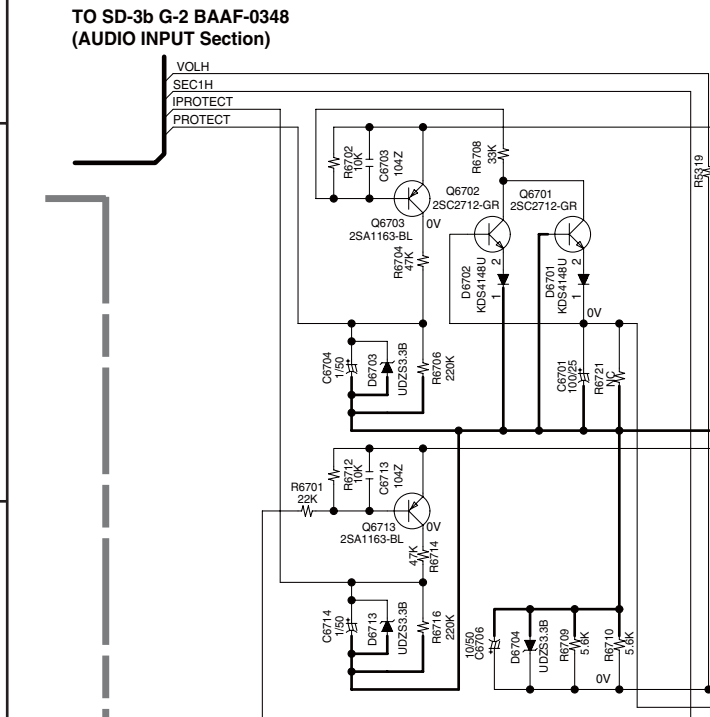
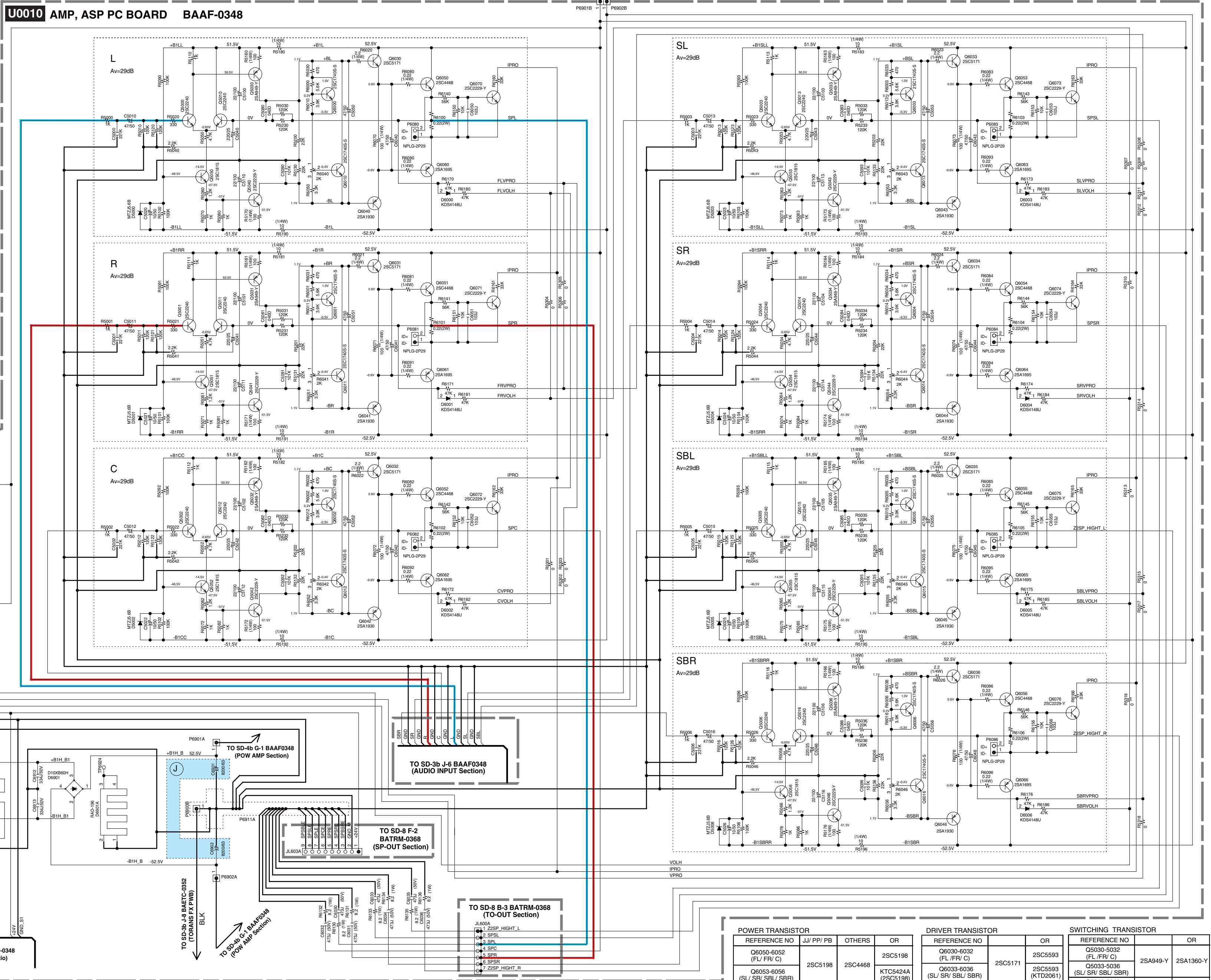
	L/C/R (R604/6041/6042)		SL/SR/SBL/SBR (R6043/6044/6045/6046)	
Just after power on	2.5mV (P6080/6081/6082)		1.5mV (P6083/6084/6085/6086)	
4-6 minutes after power on	Below 9mV	9mV	Below 6mV	6mV
	Leave it as it is.		Leave it as it is.	
	Between 9-11mV	11mV	Between 6-8mV	8mV

*Equip series 1/4W 100-ohm resistors near the terminal respectively in the each poles of the jig used for P6080-6086 terminals.



NOTE
DEL: Deletion
ADD: Addtion

DC	Canadian model
DD	USA model
DF	Taiwanese model
MO	Saudi Arabian model
MQ	Hong kong model
PA	Australian model
PB	U.K. model
PP	U.K. model
MP	CE(European) country model
MR	Chinese model
JJ	Japanese model



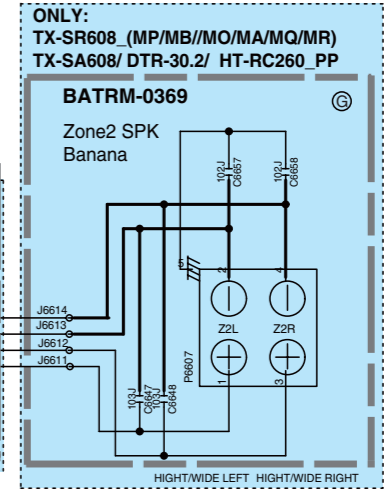
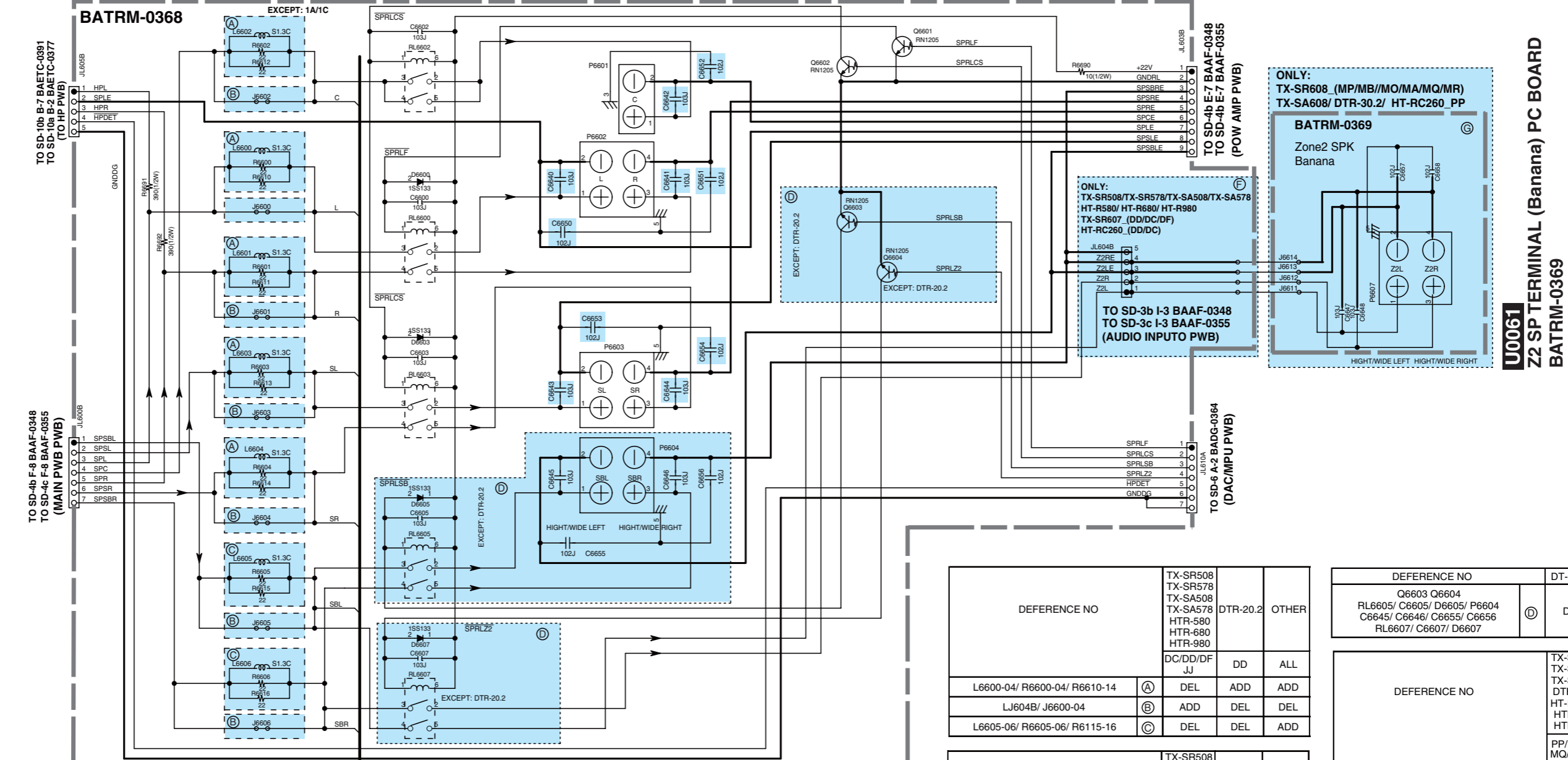
POWER TRANSISTOR				DRIVER TRANSISTOR		SWITCHING TRANSISTOR	
REFERENCE NO	JJ/ PP/ PB	OTHERS	OR	REFERENCE NO	OR	REFERENCE NO	OR
Q6050-6052 (FL/FR/C)			2SC5198	Q6030-6032 (FL/FR/C)	2SC5171	Q5030-5032 (FL/FR/C)	2SA949-Y
Q6053-6056 (SL/SR/SBL/SBR)	2SC5198	2SC4468	KT05424A (2SC5198)	Q6033-6036 (SL/SR/SBL/SBR)	2SC5593 (KTD2061)	Q5033-5036 (SL/SR/SBL/SBR)	2SA1360-Y
Q6060-6062 (FL/FR/C)			2SA1941	Q6040-6042 (FL/FR/C)	2SDA2140	Q5040-5042 (FL/FR/C)	2SC2229-Y
Q6063-6066 (SL/SR/SBL/SBR)	2SA1941	2SA1695	KTA1962A (2SA1941)	Q6043-6046 (SL/SR/SBL/SBR)	2SDA2140 (KTB1369)	Q5043-5046 (SL/SR/SBL/SBR)	2SC3423-Y

Table: J

C6901, C6902	DC/DO	DEL	ADD	DEL	ADD	Block Capacitor
HT-R580 HT-R578 HT-R680 HT-R980	DC/DO	DEL	ADD	DEL	ADD	Block Capacitor
TX-SA578 TX-SR508 TX-SR578 TX-SR580	DC/DO	DEL	ADD	DEL	ADD	Block Capacitor

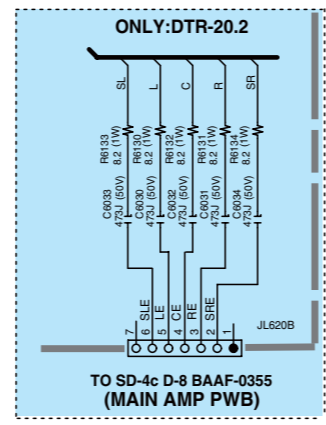
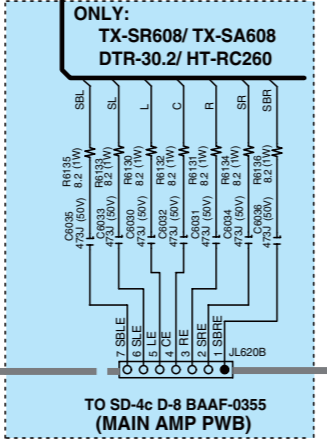
SCHEMATIC DIAGRAMS-8
SPEAKER OUTPUT SECTION

U0060 SP TERMINAL PC BOARD BATRM-0368



NOTE
DEL: Deletion
ADD: Addition

DC	Canadian model
DD	USA model
DF	Taiwanese model
MO	Saudi Arabian model
MQ	Hong kong model
PA	Australian model
PB	
MB	U.K. model
PP	CE(European) country model
MR	Chinese model
JJ	Japanese model



REFERENCE NO	TX-SR508 TX-SR578 TX-SA508 TX-SA578 HTR-580 HTR-680 HTR-980	DTR-20.2	OTHER
L6600-04/ R6600-04/ R6610-14	(A)	DEL	ADD
LJ604B/ J6600-04	(B)	ADD	DEL
L6605-06/ R6605-06/ R66115-16	(C)	DEL	ADD

REFERENCE NO	TX-SR508 TX-SR578 TX-SA508 TX-SA578 HTR-580 HTR-680 HTR-980	DTR-20.2	OTHER
JL620B/ C6030-36/ R6103-36	(E)	DEL	ADD
JL620B/ C6030-34/ R6103-34	(H)	DEL	ADD

REFERENCE NO	TX-SR508 TX-SR578 TX-SA508 TX-SA578 HTR-580 HTR-680 HTR-980	TX-SR608 HT-RC260	DTR-20.2	OTHER
JL604B	(F)	ADD	ADD	DEL
P6607/ J6611-14B C6647/ C6648/ C6657/ C6658	(G)	DEL	DEL	ADD

REFERENCE NO	DT-R20.2	OTHER
Q6603 Q6604 RL6605/ C6605/ D6605/ P6604 C6645/ C6646/ C6655/ C6656 RL6607/ C6607/ D6607	(D)	DEL

REFERENCE NO	TX-SR508 TX-SR578 TX-SR608 DTR-30.2 HT-RC260 HTR-680 HTR-980	OTHER
C6640-44/ C6650-54	PP/PB/MO MQ/MR/MP	ADD

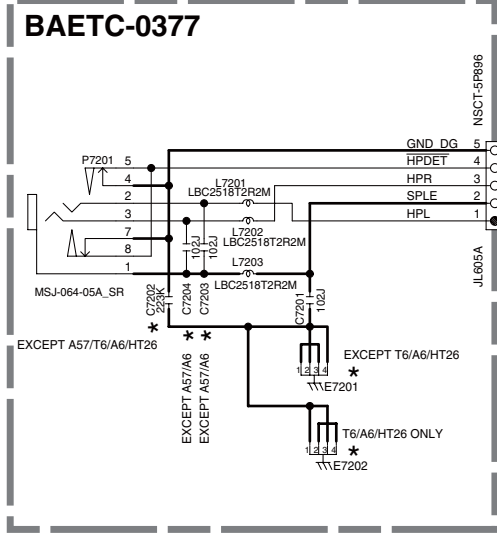
U0061
Z2 SP TERMINAL (Banana) PC BOARD
BATRM-0369

SCHEMATIC DIAGRAMS-10a

Display Section

1

U0044 HP PC BOARD BAETC-0377



TO SD-8 B-1 BAFRM-0368
FROM SP-OUT PWB
TO SD-4a K-4 BAAF-0341
FROM AMP PWB

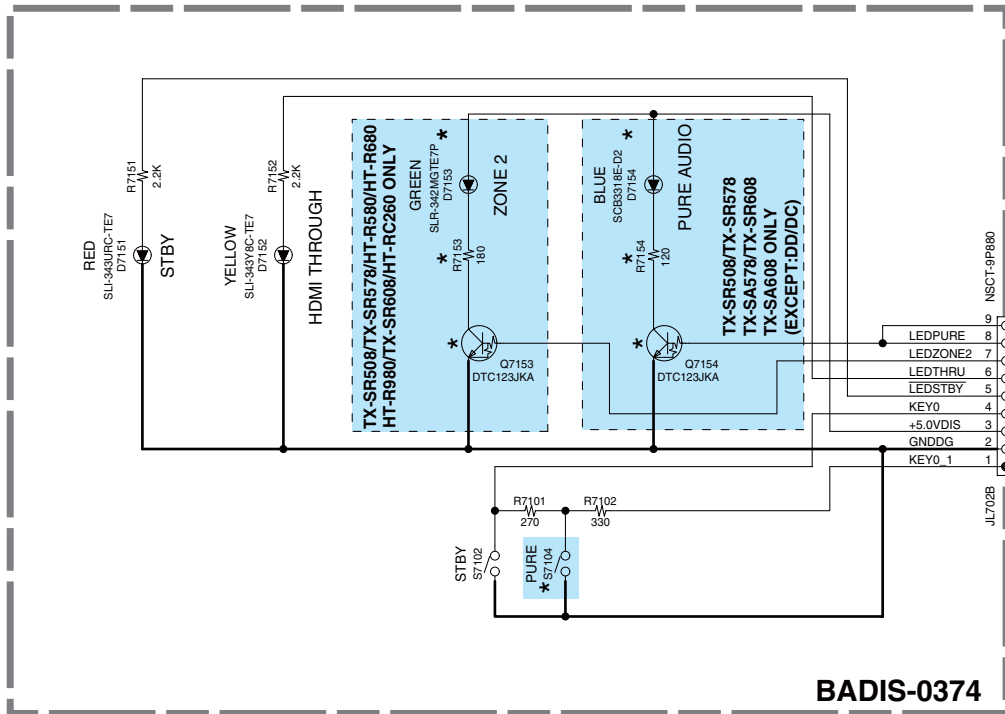
TO -VP PWB
TO SD-3a C-7 BAPS-0342
TO SD-3b C-7 BAPS-0349
TO SD-3c C-7 BAPS-0356

NOTE
DEL: Deletion
ADD: Addition

DC	Canadian model
DD	USA model
DF	Taiwanese model
MO	Saudi Arabian model
MQ	Hong kong model
PA	Australian model
PB	
MB	U.K. model
PP	
MP	CE(European) country model
MR	Chinese model
JJ	Japanese model

4

U0041 KEY SWITCH PC BOARD BADIS-0374



BADIS-0374

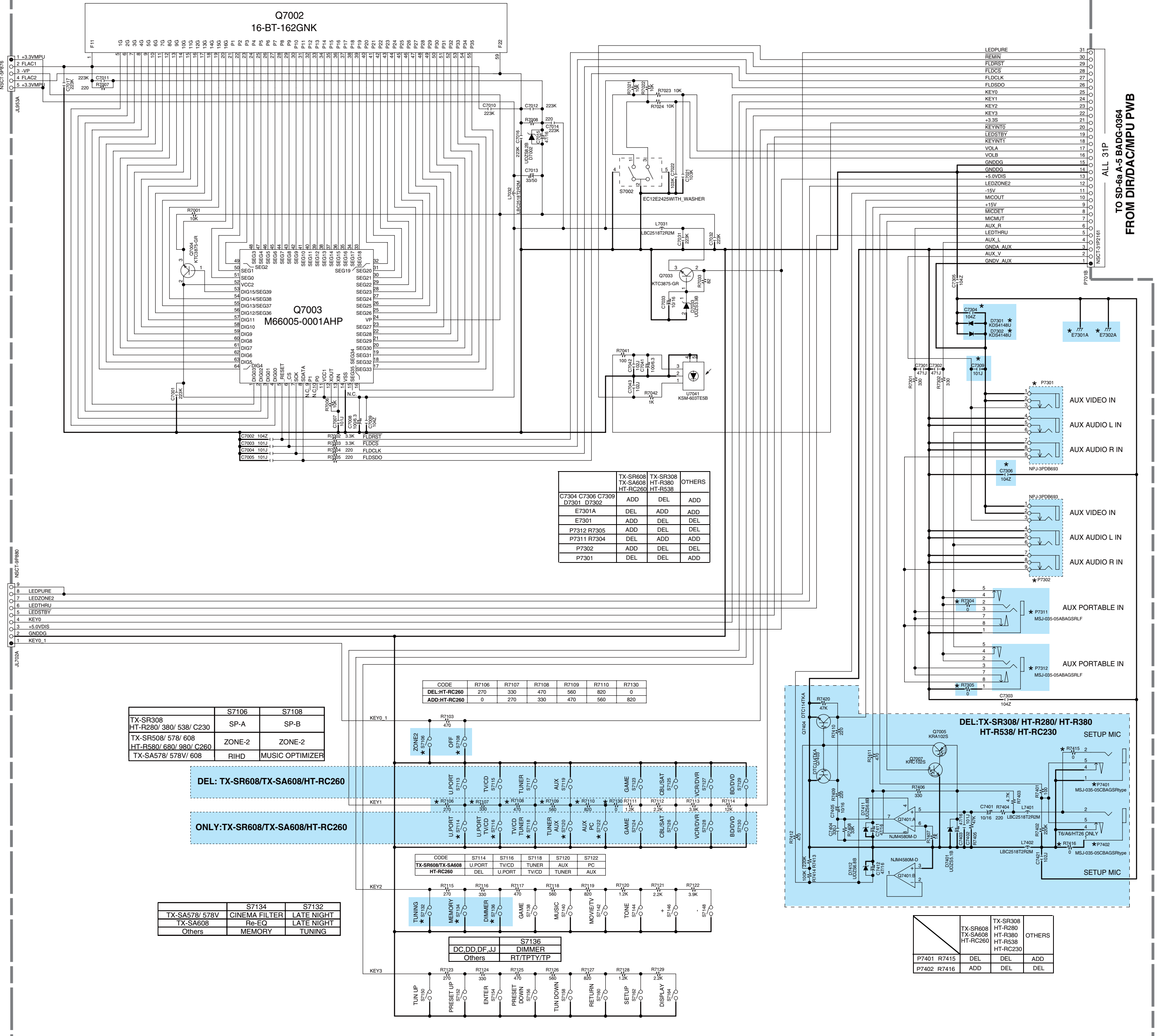
CODE	S7104
HT-R980	THX
TX-SR308/HT-R280/HT-R380/HT-R538 HT-R580/HT-R680/C230	MUSIC OPTIMIZER
TX-SR508/HT-R578/HT-R608 (EXCEPT DC-DD)	PURE AUDIO
TX-SA578/HT-SA608	DEL
TX-SR608/HT-RC260 (DC-DD)	

7

8

U0040 DISPLAY PC BOARD BADIS-0373

BADIS-0373



	TX-SR608 TX-SA608 HT-RC260	TX-SR308 HT-R580 HT-R538	OTHERS
C7304 C7306 C7309	ADD	DEL	ADD
D7301 D7302	ADD	DEL	ADD
E7301A	DEL	ADD	DEL
E7301	ADD	DEL	DEL
P7312 R7305	ADD	DEL	DEL
P7311 R7304	DEL	ADD	ADD
P7302	ADD	DEL	DEL
P7301	DEL	DEL	ADD

	S7106	S7108
TX-SR308 HT-R280/380/538/C230	SP-A	SP-B
TX-SR508/578/608 HT-R580/680/980/C260	ZONE-2	ZONE-2
TX-SA578/578V/608	RIHD	MUSIC OPTIMIZER

DEL: TX-SR608/TX-SA608/HT-RC260

ONLY: TX-SR608/TX-SA608/HT-RC260

	S7134	S7132
TX-SA578/578V TX-SA608	CINEMA FILTER Re-EO	LATE NIGHT LATE NIGHT
Others	MEMORY	TUNING

CODE	R7106	R7107	R7108	R7109	R7110	R7130
DEL-HT-RC260	270	330	470	560	820	0
ADD-HT-RC260	0	270	330	470	560	820

CODE	S7114	S7116	S7118	S7130	S7132
TX-SR608/HT-SA608 HT-RC260	U.PORT	TV/CD	TUNER	AUX	RC
DEL-HT-RC260	U.PORT	TV/CD	TUNER	AUX	AUX

	S7136
DC,DD,DF,JJ	DIMMER
Others	RT/TPT/TP

	TX-SR608 TX-SA608 HT-RC260	TX-SR308 HT-R280 HT-R380 HT-R538 HT-RC230	OTHERS
P7401 R7415	DEL	DEL	ADD
P7402 R7416	ADD	DEL	DEL

TO SD-6a A-5 BADG-0364
FROM DIR/DAC/MPU PWB

ALL 31P

SCHEMATIC DIAGRAMS-11


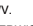
Power Supply Sectio

U0043 POWER SUPPLY PC BOARD BAETC-0376/ BAETC-0390

<NOTE>

DC	Canadian model
DD	USA model
DF	Taiwanese model
MO	Saudi Arabian model
MQ	Hong kong model
PA	Australian model
PB	
MB	U.K. model
PP	
MP	CE(European) country model
MR	Chinese model
JJ	Japanese model

- 印は火災、感電の危険に関与する部品の為、必ず指定部品を使用の事。
- 電圧表示は無信号時に測定した直流電圧を示す。
(単位V、入力抵抗100KΩ/V以上の電圧計)
- 記入なきコンデンサの単位はμF/VVである。
例 030→3pF 330→33pF 331→330pF 333→0.033μF
- 本配線図は基本配線図につき性能改善等により予告なく変更する事がある。

- * THE COMPONENTS IDENTIFIED BY MARK  ARE CRITICAL FOR SAFETY. REPLACE ONLY WITH PART NUMBER SPECIFIED.
- * VOLTAGE (MEASURED WITH VOLT METER) IS DC VOLTAGE. (NO INPUT SIGNAL)
- * ELECTROLYTIC CAPACITORS () ARE IN μF/VV.
- * ALL CAPACITORS ARE IN pF/50V UNLESS OTHERWISE NOTED.
- E X) 030→3pF 330→33pF 331→330pF 333→0.033μF
- * CIRCUIT IS SUBJECT TO CHANGE FOR IMPROVEMENT.

CAUTION



FOR CONTINUED PROTECTION AGAINST FIRE HAZARD, REPLACE ONLY WITH FUSE OF SAME TYPE AND RATING INDICATED.

ATTENTION



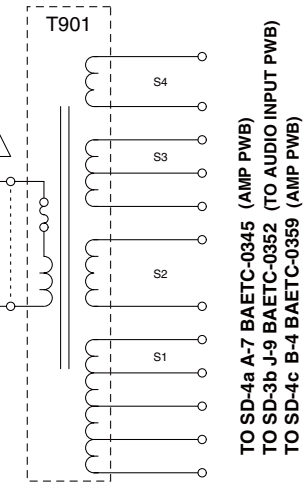
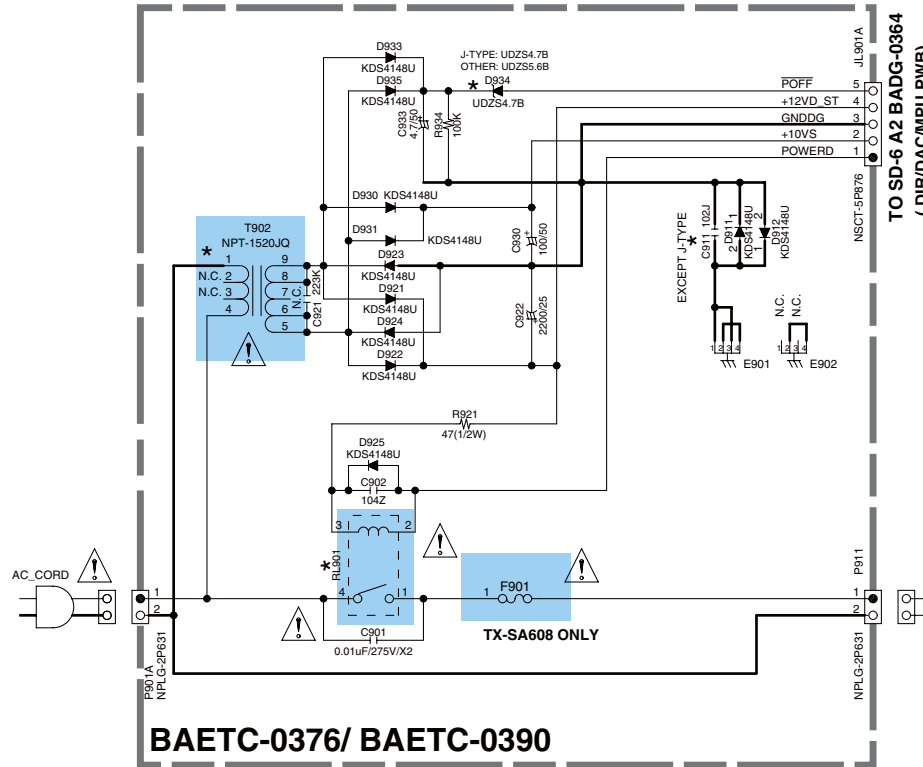
AFIN D'ASSURER UNE PROTECTION PERMANENTE CONTRE LES RISQUES D'INCENDIE, REMPLACER UNIQUEMENT PAR UN FUSIBLE DE MEME TYPE ET CALIBRATION COMME INDIQUE.



THIS SYMBOL LOCATED NEAR THE FUSE INDICATES THAT THE FUSE USED IS SLOW OPERATING TYPE FOR CONTINUED PROTECTION AGAINST FIRE HAZARD. REPLACE WITH SAME TYPE FUSE. FOR FUSE RATING REFER TO THE MAKING ADJACENT TO THE SYMBOL.



CE SYMBOLE INDIQUE QUE LE FUSIBLE UTILISE EST A LENT, E POUR UNE PROTECTION PERMANENTE. N'UTILISER QUE DES FUSIBLES DE MEME TYPE. CE DERNIER EST INDIQUE LA QU LE PRESENT SYMBOLE EST APPOSE.



<T902>

TYPE	TX-SR308/HT-R380 TX-SR508/HT-R580 TX-SR578/TX-SR608 DTR-30.2	HT-R280/HT-R680 HT-R980/HT-RC230 HT-RC260/DTR20.2	HT-R538	TXSA578 TX-SA608
DC/ DD/ DF	NPT-1520JQ	NPT-1520JQ	---	---
MO/ MQ/ MR/ PA/ PP/ PB	NPT-1520GQ	---	NPT-1520GQ	---
JJ	---	---	---	NPT-1520JQ

<F901>

TYPE	TX-SR308 HT-R280 HT-R380 HT-R538 HT-RC230	TX-SR508 TX-SR578 TX-SA578 HT-R580 HT-R680 HT-R980	TX-SR608 HT-RC260 DTR-20.2 DTR-30.2
DC/ DD/ DF	8A 125V	8A 125V	---
MO/ MQ/ MR/ PA/ PP/ PB	T4A L250V	---	T4A L250V
JJ	---	---	10A 125V

<RL901>

TYPE	TX-SR308/HT-R380 TX-SR508/HT-R580 TX-SR578/TX-SR608 DTR-30.2	HT-R280/HT-R680 HT-R980/HT-RC230 HT-RC260/DTR20.2	HT-R538	TXSA578 TX-SA608
DC/ DD/ DF	NRL-1P5A	NRL-1P5A	---	---
MO/ MQ/ MR/ PA/ PP/ PB	NRL-1P5A	---	NRL-1P5A	---
JJ	---	---	---	NRL-1P10A

<T901>

TYPE	DD/ DC/ DF	PA/ PP/ PB	MO/ MQ/ MR	JJ
TX-SR308 HT-R280 HT-R380 HT-R538 HT-RC230	NPT-1589D	NPT-1589P	NPT-1589M	---
TX-SR508 TX-SR578 TX-SA578 HT-R580 HT-R680 HT-R980	NPT-1594D	NPT-1594P	NPT-1594M	NPT-1594J
TX-SR608 HT-RC260 DTR-20.2 DTR-30.2	NPT-1592D	NPT-1592M	NPT-1592M	NPT-1592J

1

2

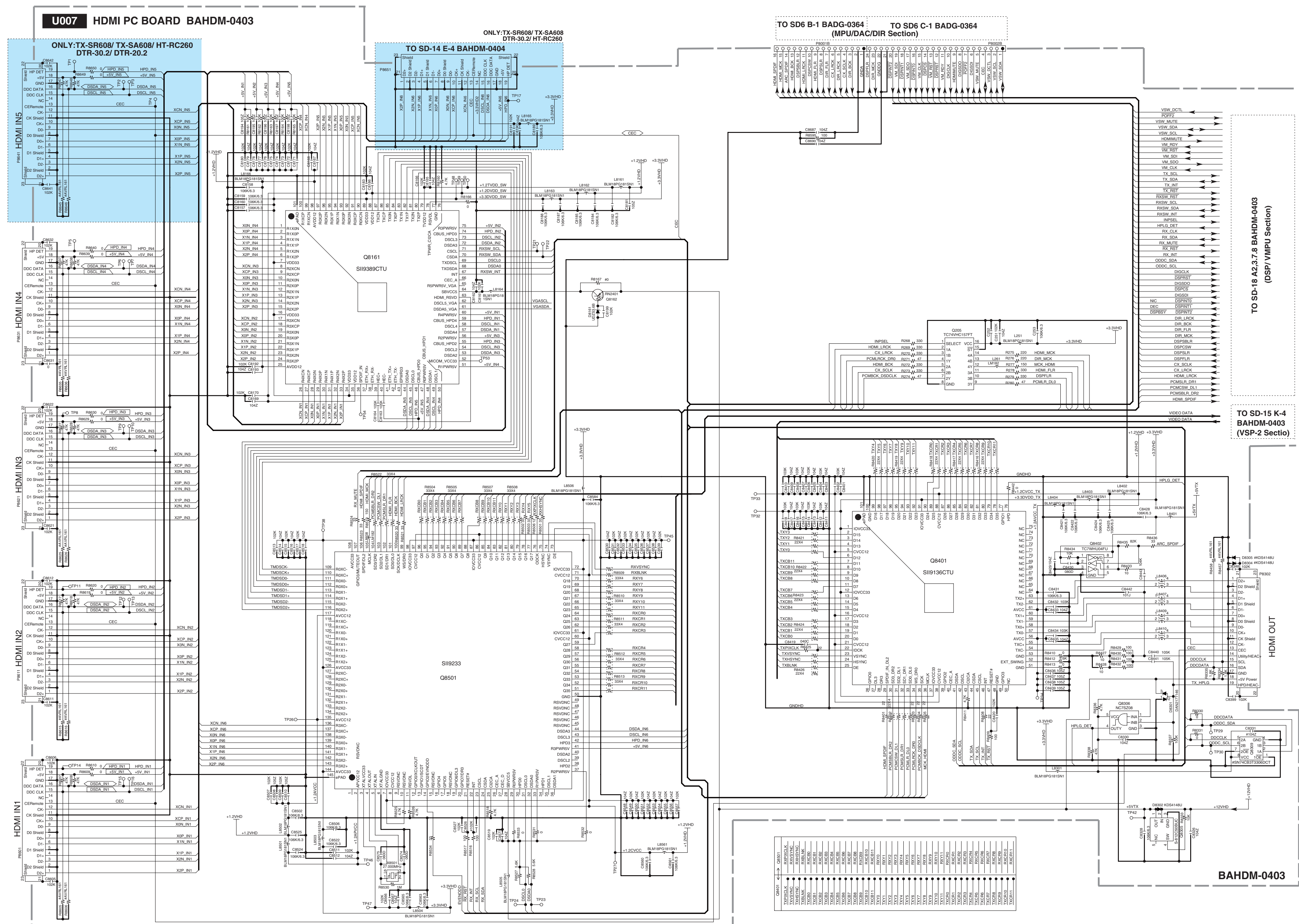
3

4

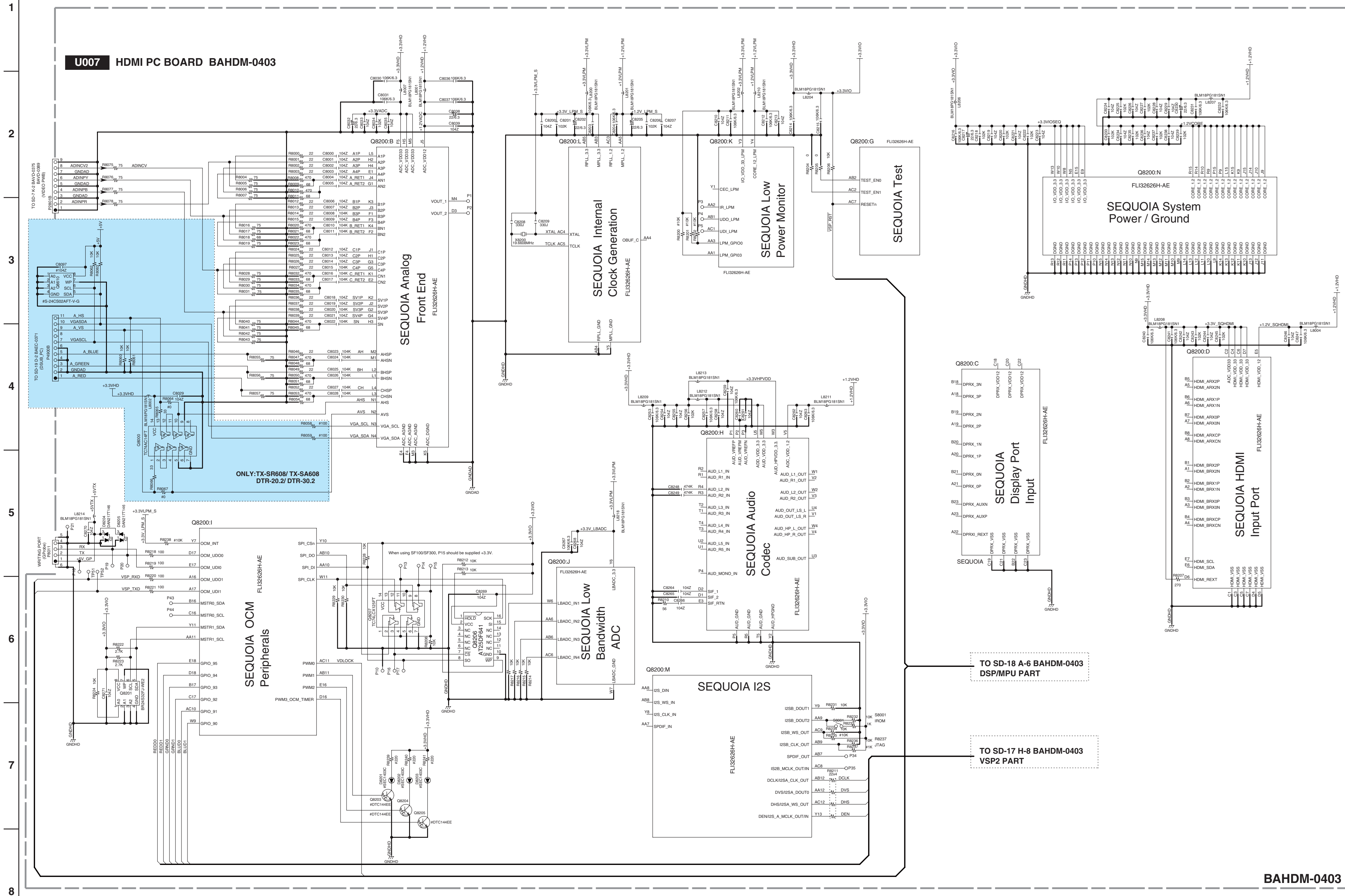
SCHEMATIC DIAGRAMS-15

HDMI RX_TX SECTION

1
2
3
4
5
6
7
8



SCHEMATIC DIAGRAMS-16
HDMI VSP-1 SECTION

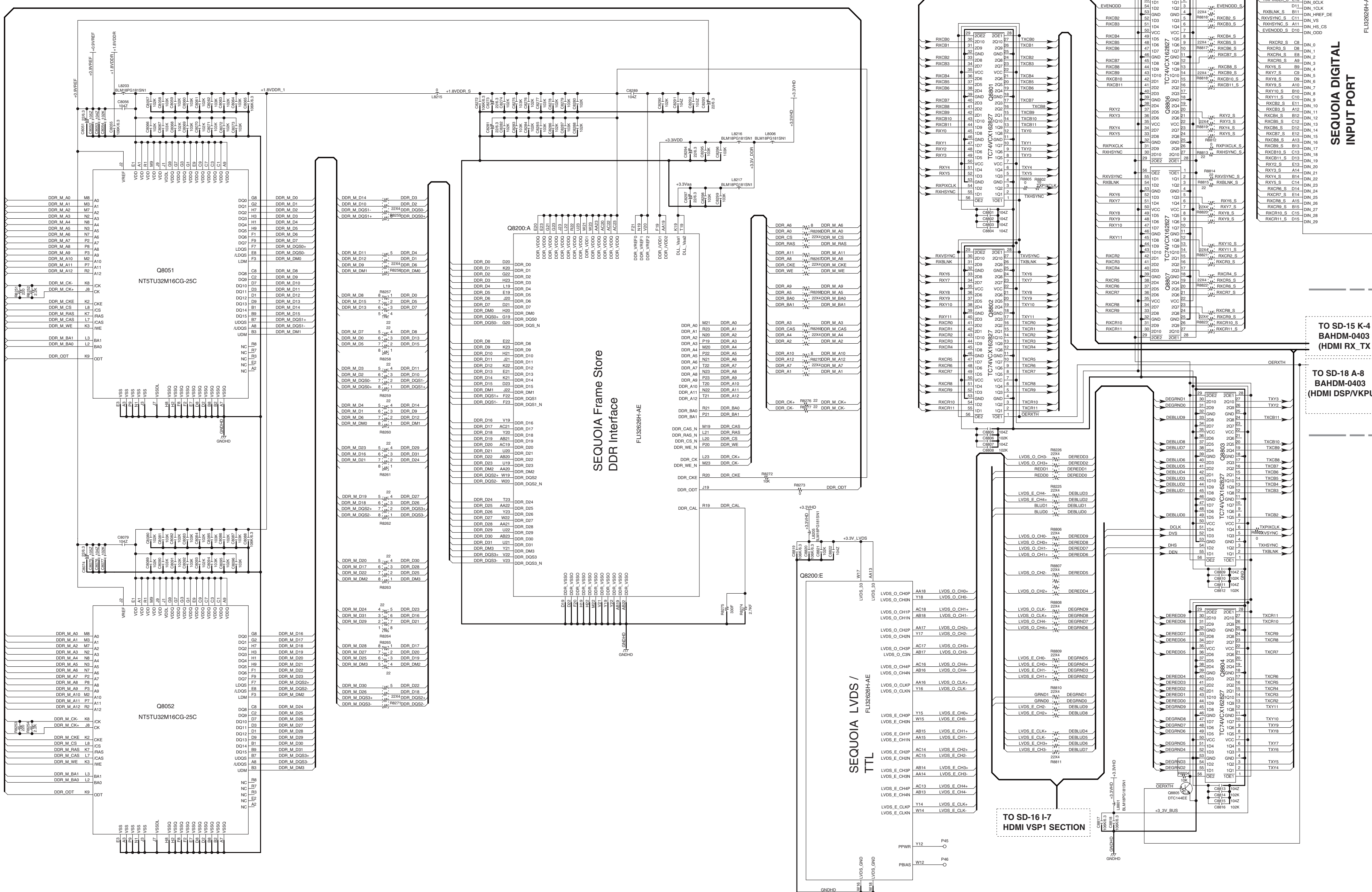


SCHEMATIC DIAGRAMS-17

HDMI VSP 2 SECTION

1
2
3
4
5
6
7
8

U007 HDMI PC BOARD BAHDM-0403



SEQUOIA DIGITAL INPUT PORT

TO SD-15 K-4 BAHDM-0403 (HDMI RX_TX)

TO SD-18 A-8 BAHDM-0403 (HDMI DSP/VKPU)

TO SD-16 I-7 HDMI VSP1 SECTION

SCHEMATIC DIAGRAMS-18

DSP/VMPU SECTION

1

2

3

4

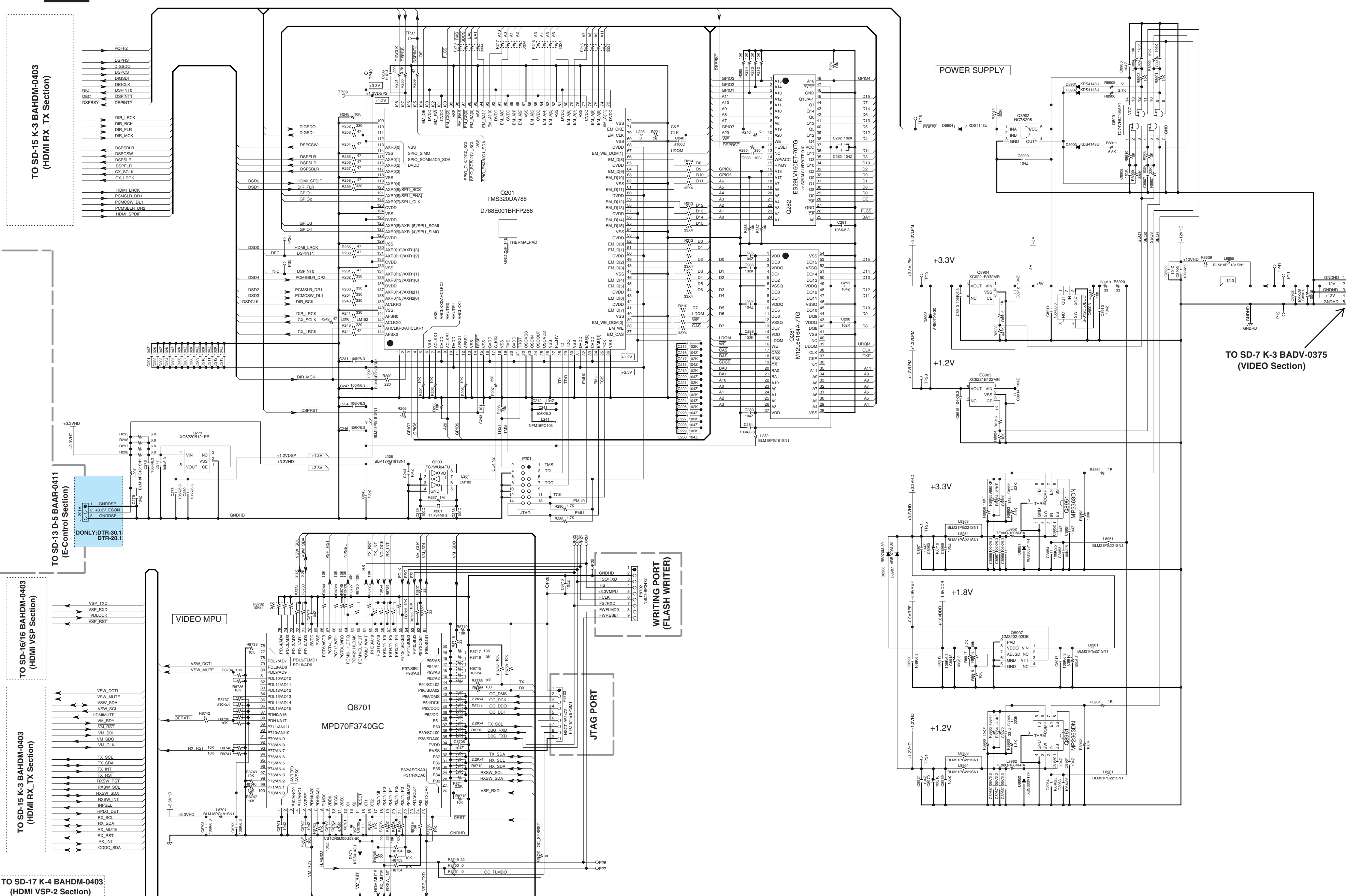
5

6

7

8

U007 HDMI PC BOARD BAHDM-0403



TO SD-15 K-3 BAHDM-0403 (HDMI RX_TX Section)

TO SD-13 D-5 BAAR-Q411 (E-Control Section)

TO SD-16/16 BAHDM-0403 (HDMI VSP Section)

TO SD-15 K-3 BAHDM-0403 (HDMI RX_TX Section)

TO SD-17 K-4 BAHDM-0403 (HDMI VSP-2 Section)

POWER SUPPLY

TO SD-7 K-3 BADV-0375 (VIDEO Section)

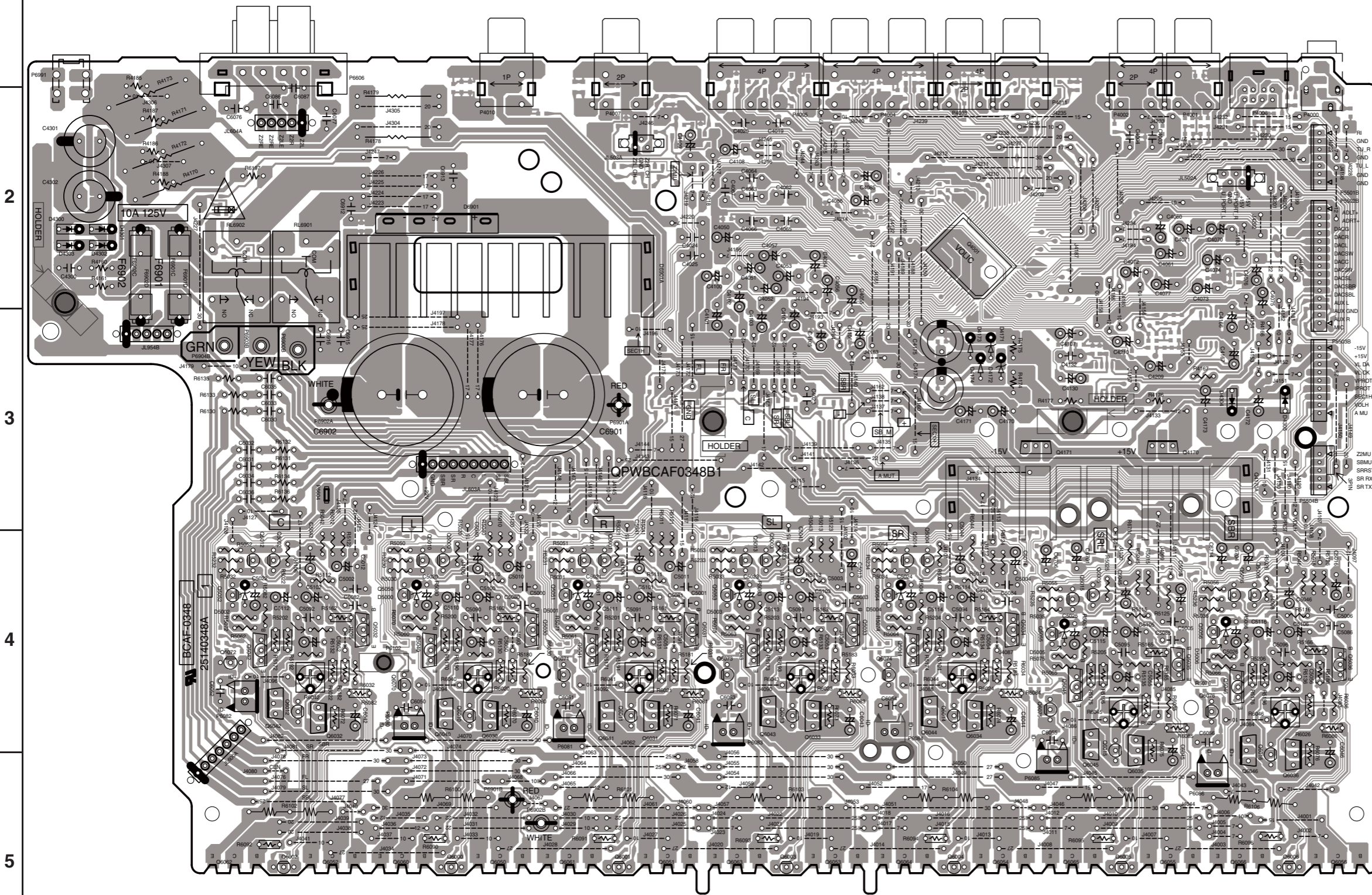
A B C D E F G H

PRINTED CIRCUIT BOARD VIEWS-1_1
AMPLIFIER SECTION

1

U0010 BAAF-0348 (AMPLIFIER PC BOARD)
A-side(Component side)

U0011 BAPS-0349 (FL TUBE -VP PC BOARD)
A-side(Component side)

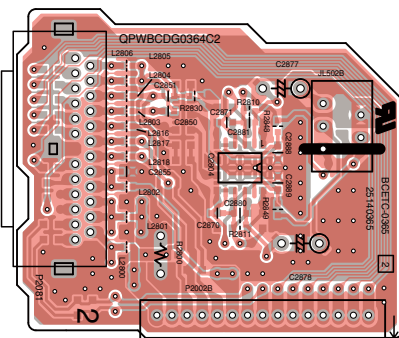


**PRINTED CIRCUIT BOARD VIEWS-3
DAC/ MPU SECTION**

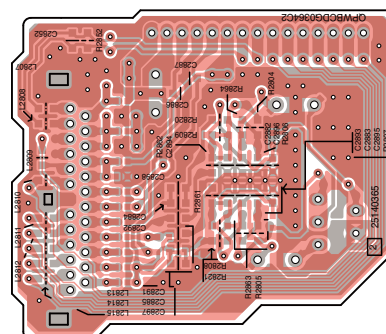
A B C D E F G H

1

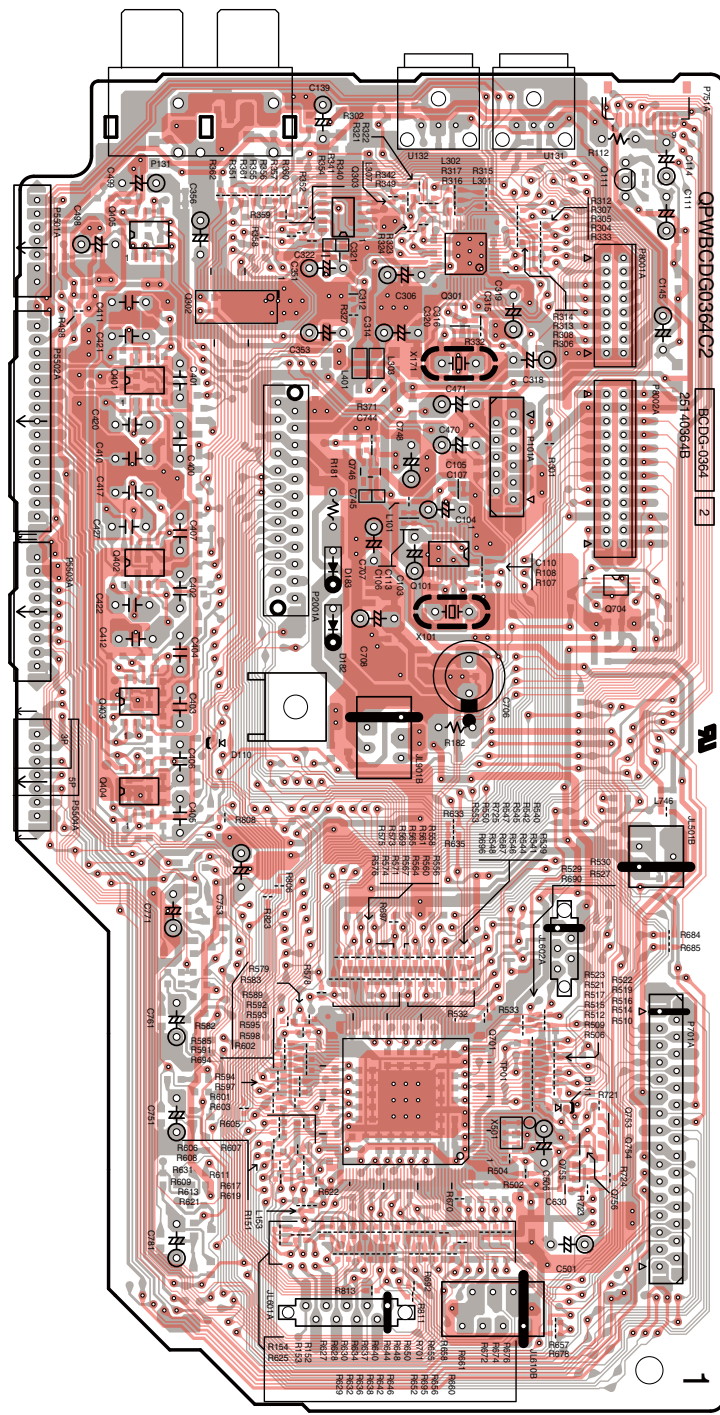
U0031
BAETC-0365 (U-PORT PC BOARD)
A-side(Component side)



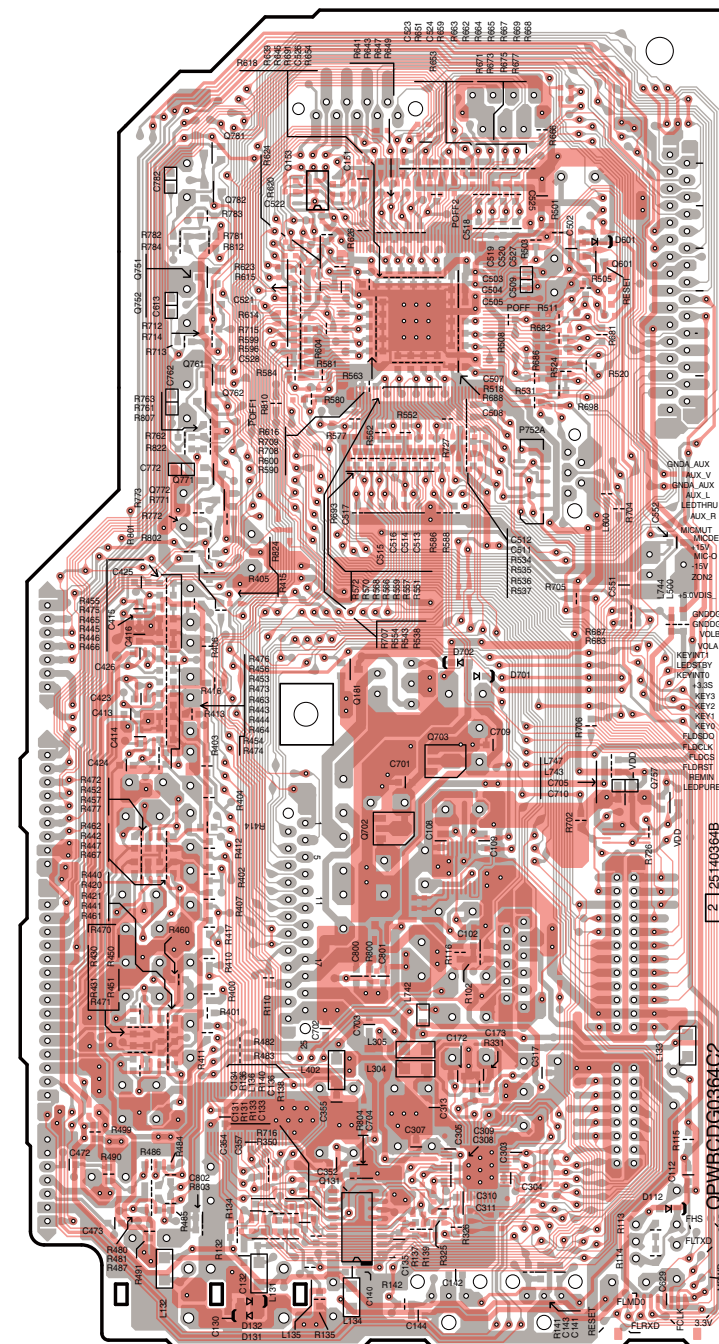
U0031
BAETC-0365 (U-PORT PC BOARD)
B-side(Soldering side)



U0030 BADG-0364 (MPU/DAC PC BOARD)
A-side(Component side)

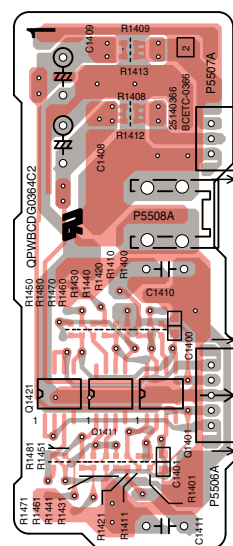


U0030 BADG-0364 (MPU/DAC PC BOARD)
B-side(Soldering side)

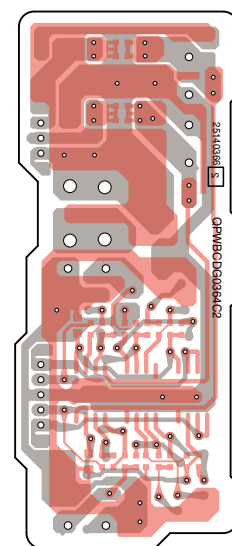


2

U0032 Japanese Model Only
BAETC-0366 (VLSC PC BOARD)
A-side(Component side)



U0032 Japanese Model Only
BAETC-0366 (VLSC PC BOARD)
B-side(Soldering side)



3

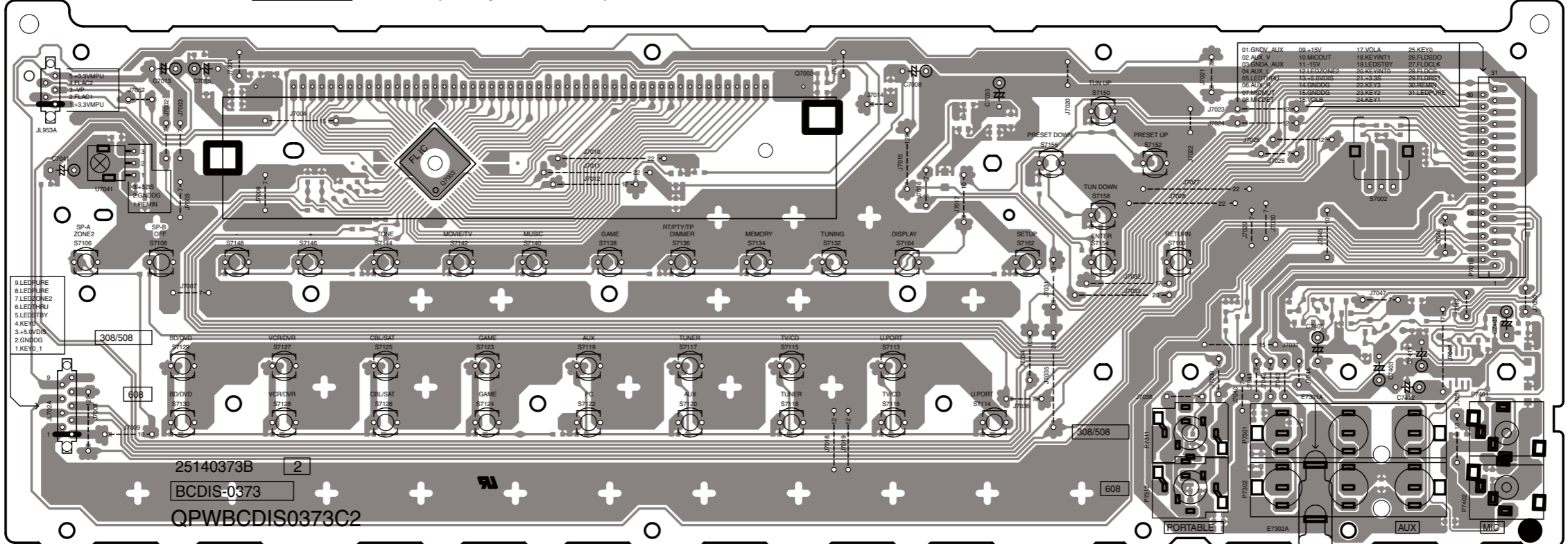
4

5

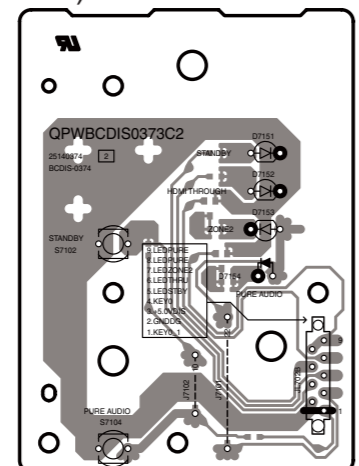
A B C D E F G H

PRINTED CIRCUIT BOARD VIEW-4_1
DISPLAY SECTION

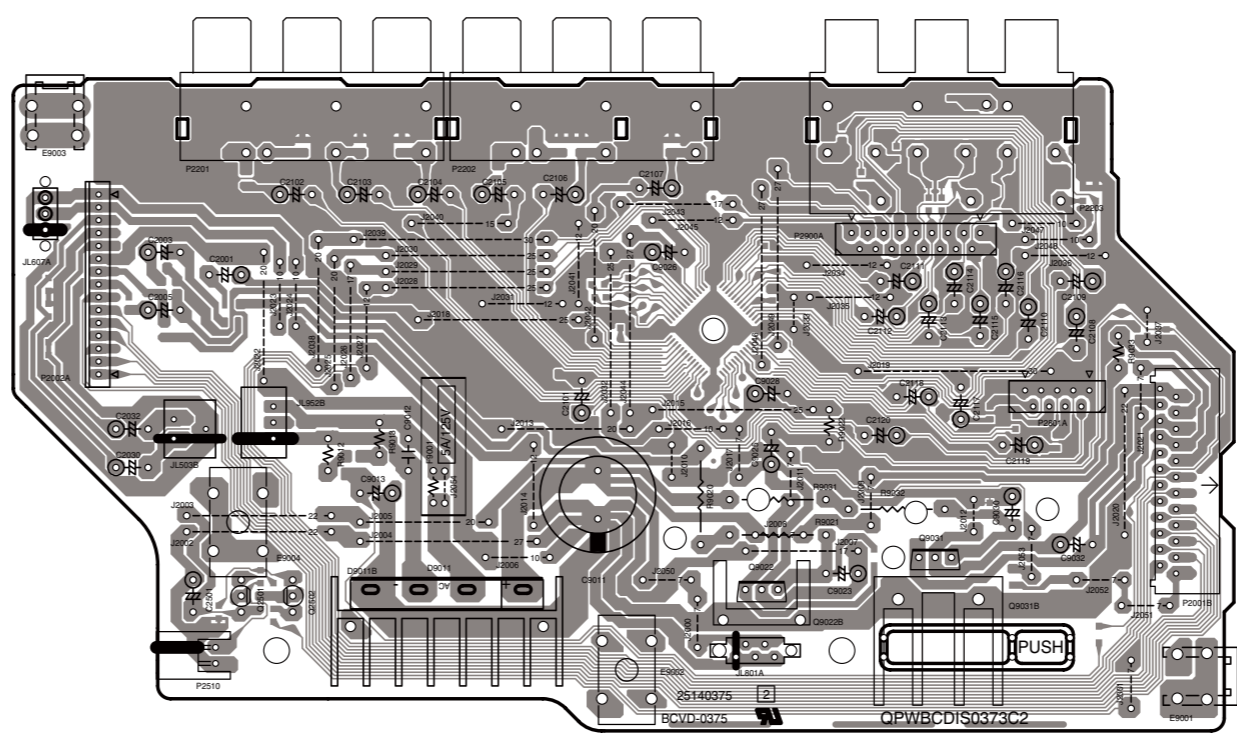
U0040 BADIS-0373 (DISPLAY PC BOARD)
A-side(Component side)



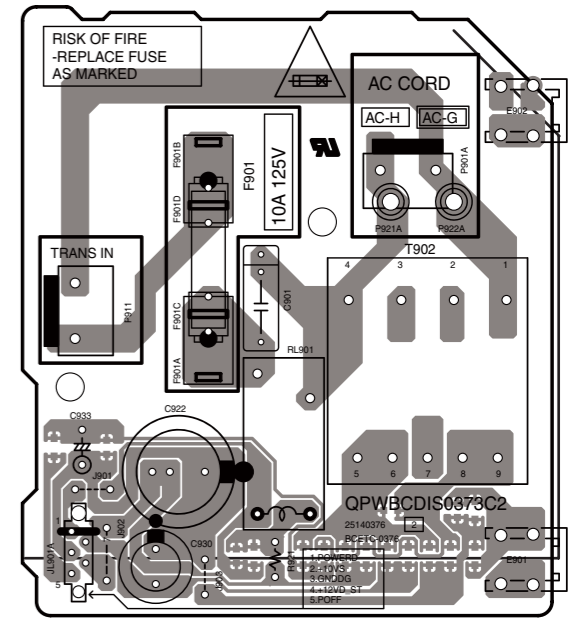
U0041 BADIS-0374 (STADBY KEY/LED PC BOARD)
A-side(Component side)



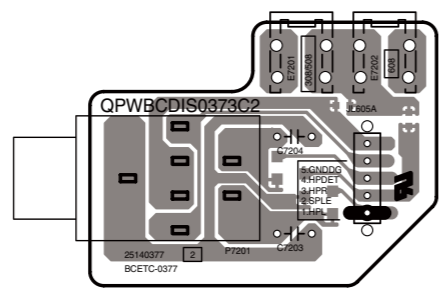
U0042 BADIS-0375 (VIDEO PC BOARD)
A-side(Component side)



U0043 BAETC-0376 (POW SUPPLY PC BOARD)
A-side(Component side)



U0044 BAETC-0377 (HP JACK PC BOARD)
A-side(Component side)



1

2

3

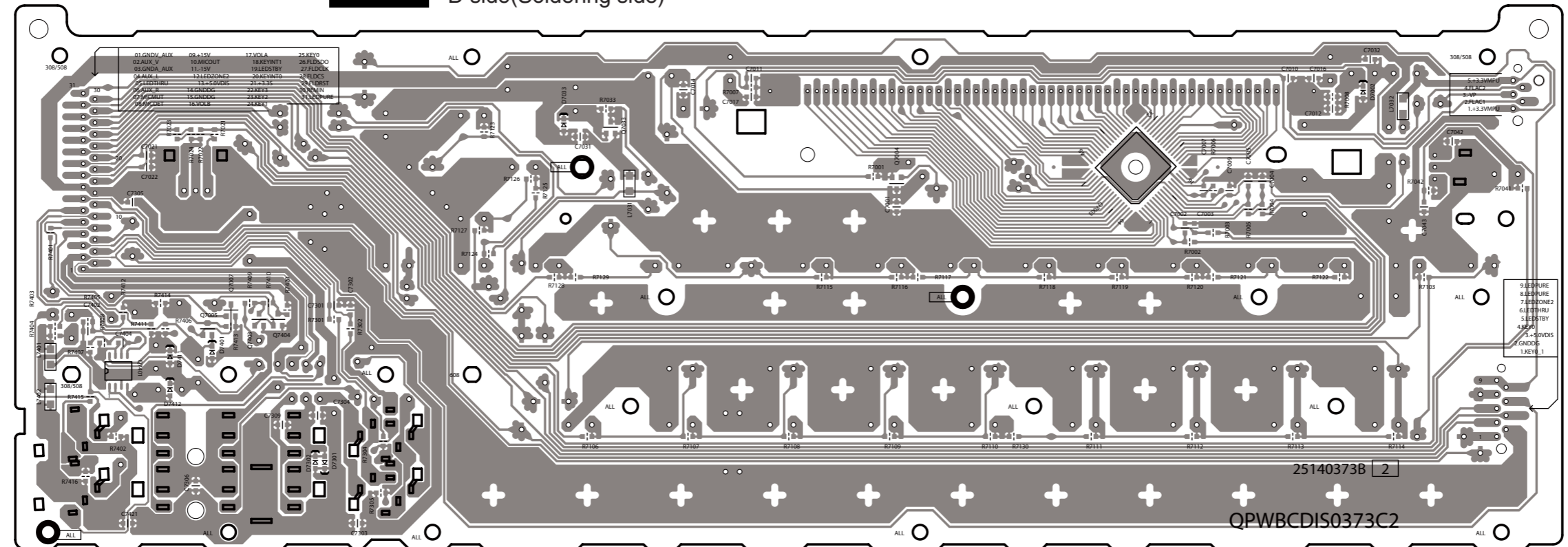
4

5

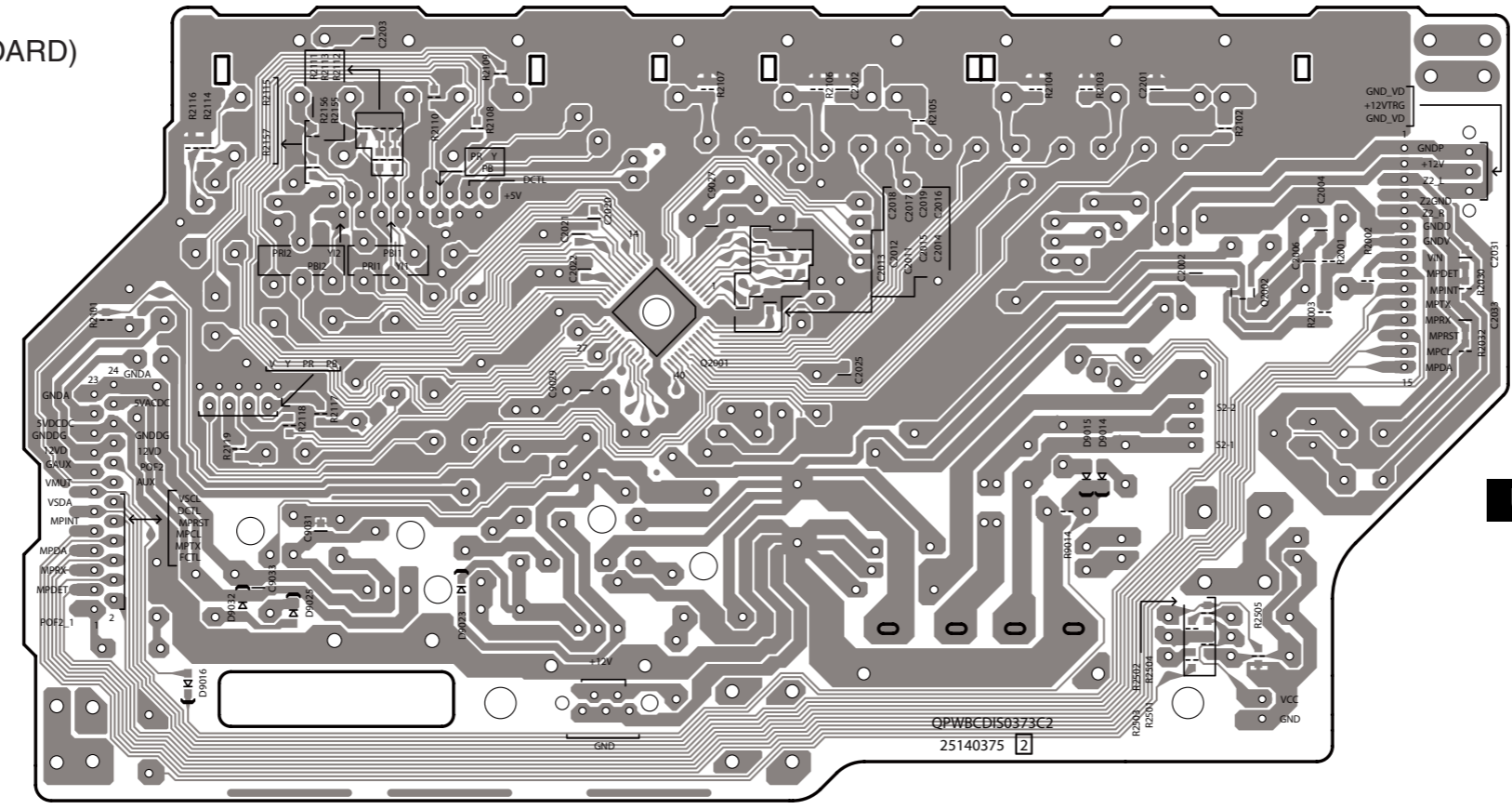
A B C D E F G H

PRINTED CIRCUIT BOARD VIEWS-4_2
DISPLAY SECTION

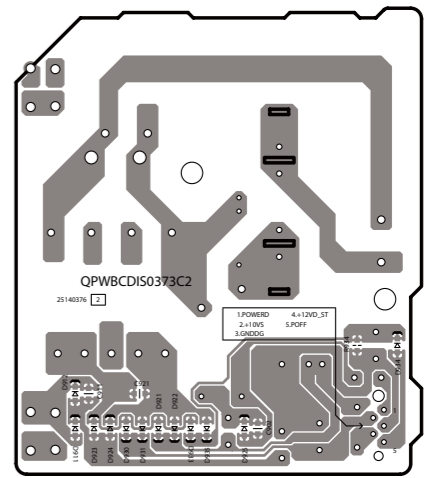
U0040 BADIS-0373 (DISPLAY PC BOARD)
B-side(Soldering side)



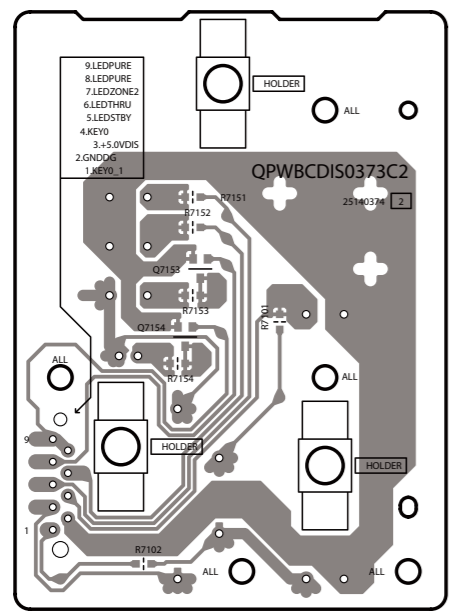
U0042 BADIS-0375 (VIDEO PC BOARD)
B-side(Soldering side)



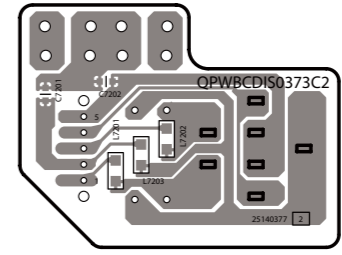
U0041 BADIS-0376 (STADBY KEY/LED PC BOARD)
B-side(Soldering side)



U0043 BAETC-0374 (POW SUPPLY PC BOARD)
B-side(Soldering side)



U0044 BAETC-0377 (HP JACK PC BOARD)
B-side(Soldering side)



1

2

3

4

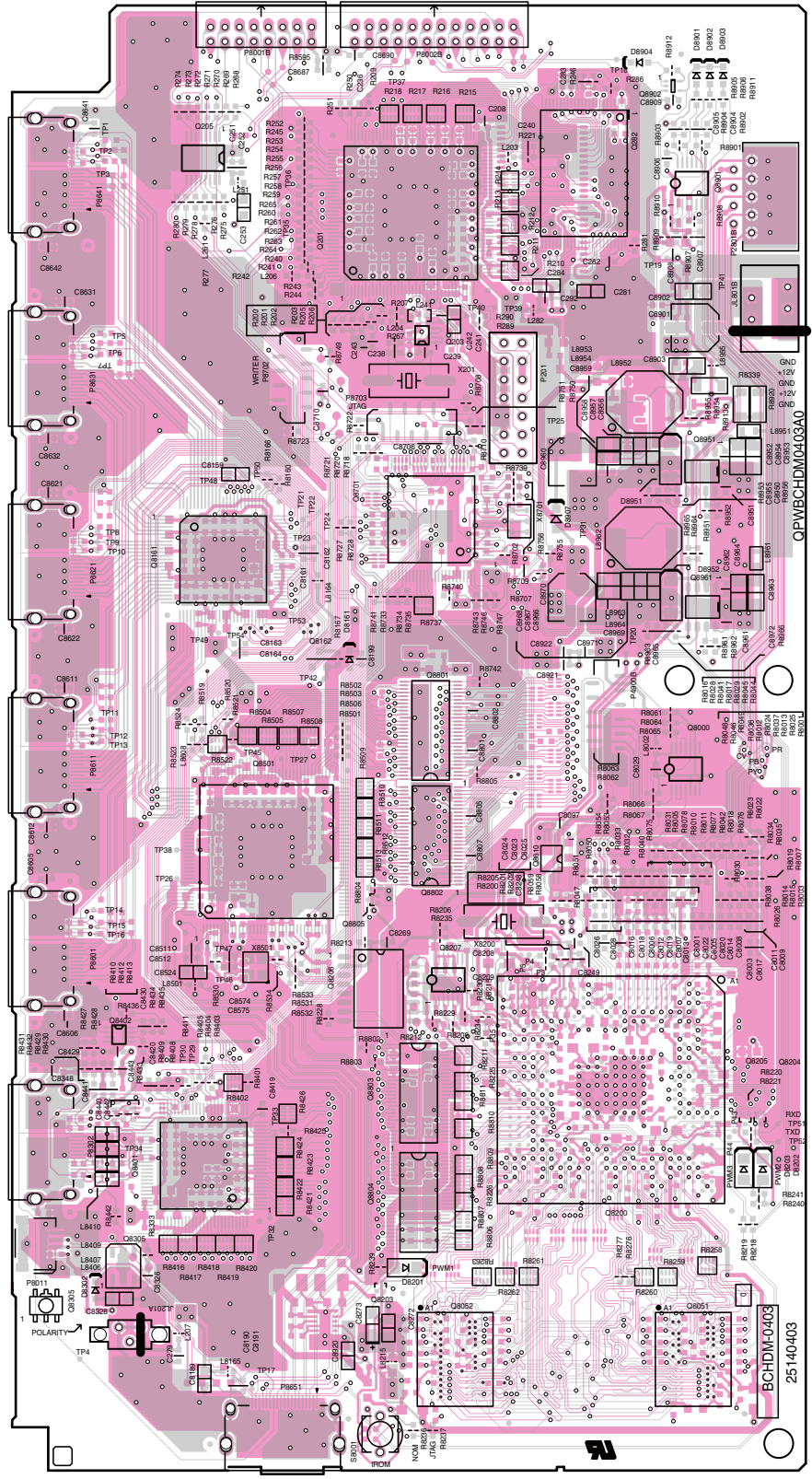
5

A B C D E F G H

**PRINTED CIRCUIT BOARD VIEWS-7
HDMI SECTION**

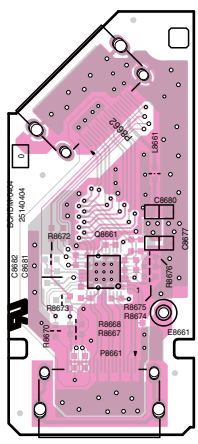
1

U0070
BAHDM-0403 (HDMI PC BOARD)
A-side(Component side)



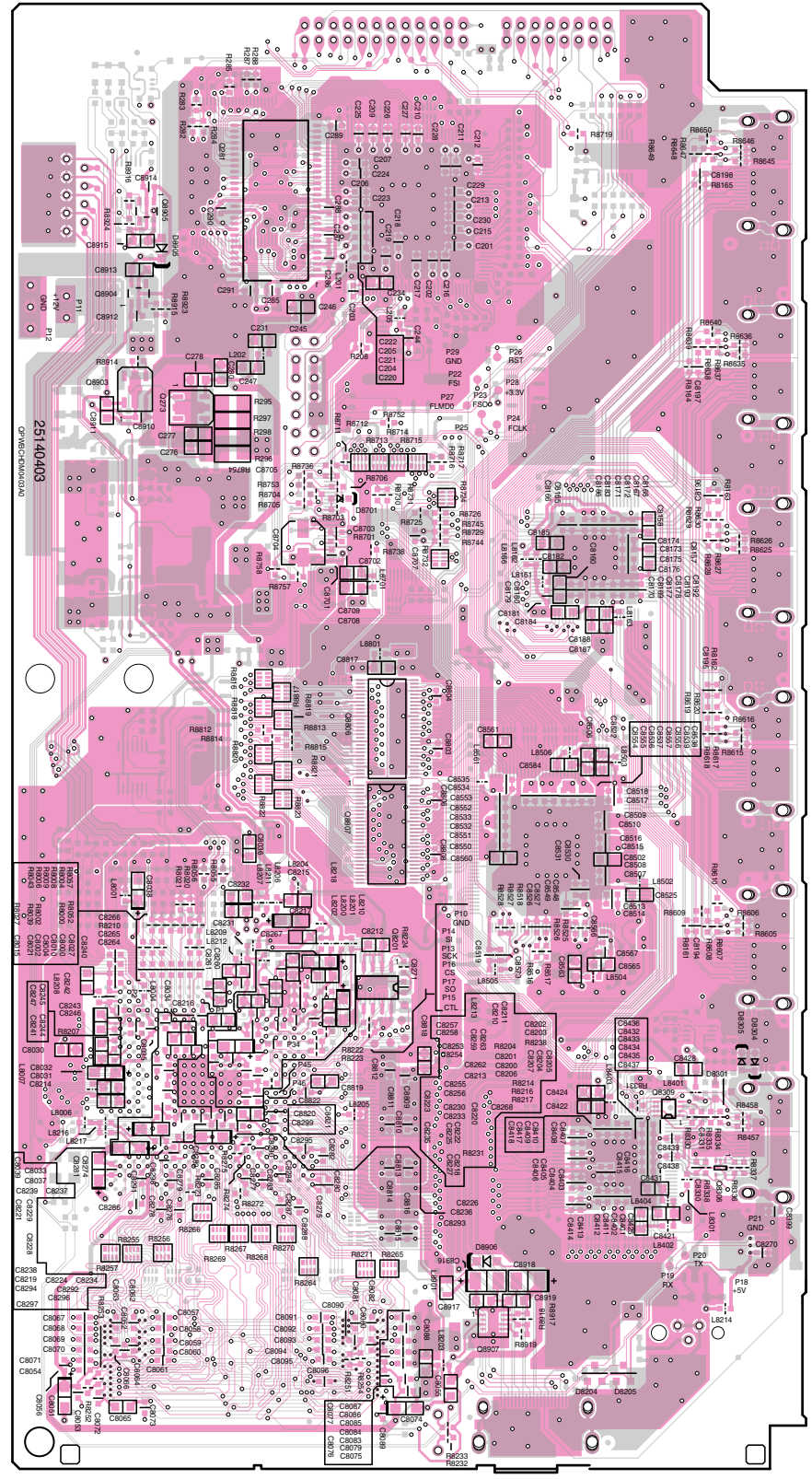
2

U0071
BAHDM-0404
(FRONT HDMI PC BOARD)
A-side(Component side)



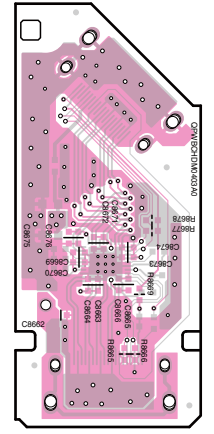
3

U0070
BAHDM-0403 (HDMI PC BOARD)
B-side(Soldering side)



4

U0071
BAHDM-0404
(FRONT HDMI PC BOARD)
B-side(Soldering side)



5

HT-R980

<Note>

Parts marked by "NSP" are generally unavailable because they are not in our Master Spare Parts List.

NOTE : THE COMPONENTS IDENTIFIED BY THE MARK ! ARE CRITICAL FOR RISK OF FIRE AND ELECTRIC SHOCK. REPLACE ONLY WITH PART NUMBER SPECIFIED.

<Notes>

** : Black model**

HT-R980 in "FTiB(HT-S9300)"

<CMDC> : 120V,Canadian model

HT-R980 in "FTiB(HT-S9305)"

<CMPP> : 230V,CE(European) country model

HT-R980

EXPLODED VIEW PARTS LIST

REF. NO.	PART NAME	DESCRIPTION	Q'TY	PART NO. (SN)	REMARKS
[SEMI CONDUCTOR]					
Q6050	TR	2SC4468-P	1	2202526	<B CMDC>
Q6050	TR	2SC5198-O	1	2203063	<B CMPP>
Q6050 or TR		2SC4468-O	(1)	2202523	<B CMDC>
Q6050 or TR		2SC4468-Y	(1)	2202524	<B CMDC>
Q6050 or TR		2SC5198-R	(1)	2203062	<B CMDC, CMPP>
Q6050 or TR		2SC5198-O	(1)	2203063	<B CMDC>
Q6050A	ISO SHEET	AC238	2	223024	<B CMDC, CMPP>
Q6050B	ISO SHEET	ISO SHEET	6	223050	<B CMDC, CMPP>
Q6051	TR	2SC4468-P	1	2202526	<B CMDC>
Q6051	TR	2SC5198-O	1	2203063	<B CMPP>
Q6051 or TR		2SC4468-O	(1)	2202523	<B CMDC>
Q6051 or TR		2SC4468-Y	(1)	2202524	<B CMDC>
Q6051 or TR		2SC5198-R	(1)	2203062	<B CMDC, CMPP>
Q6051 or TR		2SC5198-O	(1)	2203063	<B CMDC>
Q6052	TR	2SC4468-P	1	2202526	<B CMDC>
Q6052	TR	2SC5198-O	1	2203063	<B CMPP>
Q6052 or TR		2SC4468-O	(1)	2202523	<B CMDC>
Q6052 or TR		2SC4468-Y	(1)	2202524	<B CMDC>
Q6052 or TR		2SC5198-R	(1)	2203062	<B CMDC, CMPP>
Q6052 or TR		2SC5198-O	(1)	2203063	<B CMDC>
Q6053	TR	2SC4468-P	1	2202526	<B CMDC>
Q6053	TR	2SC5198-O	1	2203063	<B CMPP>
Q6053 or TR		2SC4468-O	(1)	2202523	<B CMDC>
Q6053 or TR		2SC4468-Y	(1)	2202524	<B CMDC>
Q6053 or TR		2SC5198-R	(1)	2203062	<B CMDC, CMPP>
Q6053 or TR		2SC5198-O	(1)	2203063	<B CMDC>
Q6053 or TR		KTC5242A-R	(1)	2203952	<B CMDC>
Q6053 or TR		KTC5242A-O	(1)	2203953	<B CMDC>
Q6054	TR	2SC4468-P	1	2202526	<B CMDC>
Q6054	TR	2SC5198-O	1	2203063	<B CMPP>
Q6054 or TR		2SC4468-O	(1)	2202523	<B CMDC>
Q6054 or TR		2SC4468-Y	(1)	2202524	<B CMDC>
Q6054 or TR		2SC5198-R	(1)	2203062	<B CMDC, CMPP>
Q6054 or TR		2SC5198-O	(1)	2203063	<B CMDC>
Q6054 or TR		KTC5242A-R	(1)	2203952	<B CMDC>
Q6054 or TR		KTC5242A-O	(1)	2203953	<B CMDC>
Q6055	TR	2SC4468-P	1	2202526	<B CMDC>
Q6055	TR	2SC5198-O	1	2203063	<B CMPP>
Q6055 or TR		2SC4468-O	(1)	2202523	<B CMDC>

Q6055 or TR	2SC4468-Y	(1)	2202524	<B CMDC>
Q6055 or TR	2SC5198-R	(1)	2203062	<B CMDC, CMPP>
Q6055 or TR	2SC5198-O	(1)	2203063	<B CMDC>
Q6055 or TR	KTC5242A-R	(1)	2203952	<B CMDC>
Q6055 or TR	KTC5242A-O	(1)	2203953	<B CMDC>
Q6056 TR	2SC4468-P	1	2202526	<B CMDC>
Q6056 TR	2SC5198-O	1	2203063	<B CMPP>
Q6056 or TR	2SC4468-O	(1)	2202523	<B CMDC>
Q6056 or TR	2SC4468-Y	(1)	2202524	<B CMDC>
Q6056 or TR	2SC5198-R	(1)	2203062	<B CMDC, CMPP>
Q6056 or TR	2SC5198-O	(1)	2203063	<B CMDC>
Q6056 or TR	KTC5242A-R	(1)	2203952	<B CMDC>
Q6056 or TR	KTC5242A-O	(1)	2203953	<B CMDC>
Q6060 TR	2SA1695-P	1	2202516	<B CMDC>
Q6060 TR	2SA1941-O	1	2203053	<B CMPP>
Q6060 or TR	2SA1695-O	(1)	2202513	<B CMDC>
Q6060 or TR	2SA1695-Y	(1)	2202514	<B CMDC>
Q6060 or TR	2SA1941-R	(1)	2203052	<B CMDC, CMPP>
Q6060 or TR	2SA1941-O	(1)	2203053	<B CMDC>
Q6061 TR	2SA1695-P	1	2202516	<B CMDC>
Q6061 TR	2SA1941-O	1	2203053	<B CMPP>
Q6061 or TR	2SA1695-O	(1)	2202513	<B CMDC>
Q6061 or TR	2SA1695-Y	(1)	2202514	<B CMDC>
Q6061 or TR	2SA1941-R	(1)	2203052	<B CMDC, CMPP>
Q6061 or TR	2SA1941-O	(1)	2203053	<B CMDC>
Q6062 TR	2SA1695-P	1	2202516	<B CMDC>
Q6062 TR	2SA1941-O	1	2203053	<B CMPP>
Q6062 or TR	2SA1695-O	(1)	2202513	<B CMDC>
Q6062 or TR	2SA1695-Y	(1)	2202514	<B CMDC>
Q6062 or TR	2SA1941-R	(1)	2203052	<B CMDC, CMPP>
Q6062 or TR	2SA1941-O	(1)	2203053	<B CMDC>
Q6063 TR	2SA1695-P	1	2202516	<B CMDC>
Q6063 TR	2SA1941-O	1	2203053	<B CMPP>
Q6063 or TR	2SA1695-O	(1)	2202513	<B CMDC>
Q6063 or TR	2SA1695-Y	(1)	2202514	<B CMDC>
Q6063 or TR	2SA1941-R	(1)	2203052	<B CMDC, CMPP>
Q6063 or TR	2SA1941-O	(1)	2203053	<B CMDC>
Q6063 or TR	KTA1962A-R	(1)	2203942	<B CMDC>
Q6063 or TR	KTA1962A-O	(1)	2203943	<B CMDC>
Q6064 TR	2SA1695-P	1	2202516	<B CMDC>
Q6064 TR	2SA1941-O	1	2203053	<B CMPP>
Q6064 or TR	2SA1695-O	(1)	2202513	<B CMDC>
Q6064 or TR	2SA1695-Y	(1)	2202514	<B CMDC>
Q6064 or TR	2SA1941-R	(1)	2203052	<B CMDC, CMPP>
Q6064 or TR	2SA1941-O	(1)	2203053	<B CMDC>
Q6064 or TR	KTA1962A-R	(1)	2203942	<B CMDC>
Q6064 or TR	KTA1962A-O	(1)	2203943	<B CMDC>
Q6065 TR	2SA1695-P	1	2202516	<B CMDC>
Q6065 TR	2SA1941-O	1	2203053	<B CMPP>
Q6065 or TR	2SA1695-O	(1)	2202513	<B CMDC>
Q6065 or TR	2SA1695-Y	(1)	2202514	<B CMDC>
Q6065 or TR	2SA1941-R	(1)	2203052	<B CMDC, CMPP>
Q6065 or TR	2SA1941-O	(1)	2203053	<B CMDC>
Q6065 or TR	KTA1962A-R	(1)	2203942	<B CMDC>
Q6065 or TR	KTA1962A-O	(1)	2203943	<B CMDC>
Q6066 TR	2SA1695-P	1	2202516	<B CMDC>
Q6066 TR	2SA1941-O	1	2203053	<B CMPP>

Q6066 or TR		2SA1695-O	(1)	2202513	<B CMDC>
Q6066 or TR		2SA1695-Y	(1)	2202514	<B CMDC>
Q6066 or TR		2SA1941-R	(1)	2203052	<B CMDC, CMPP>
Q6066 or TR		2SA1941-O	(1)	2203053	<B CMDC>
Q6066 or TR		KTA1962A-R	(1)	2203942	<B CMDC>
Q6066 or TR		KTA1962A-O	(1)	2203943	<B CMDC>
[CHASSIS SCREW]					
A001	CHASSIS	TX-SR507	1	27100533B	NSP
A003	BOTTOM LEG	---	4	27175432C	
A005	CUSHION	---	4	28141664	NSP
A007	SCREW	3TTB+8B(3CM)SR	4	801637	NSP
A009	HOLDER	KGLS-8RT	3	27190503A	NSP
A010	HOLDER	KGPS-8RF	1	27191044	NSP
A011	HOLDER	KGLS-10RT	1	27190428A	NSP
A013	HOLDER	KGPS-14RF	2	27190802	NSP
A015	HOLDER	KGPS-14RF	1	27190802	NSP
A017	HOLDER	KGLS-16S	1	27190607	NSP
A019	HOLDER	KGPS-16RF	1	27190991	NSP
A021	HOLDER	KGLS-22S	2	27190369	NSP
A023	HOLDER	KGLS-22S	1	27190369	NSP
A025	SCREW	4TTC+8C(3BC)	4	830440089GR	NSP
A030	HEAT SINK	507	1	27160633A	NSP
A032	RETAINER	(HL)	1	27142138A	NSP
A034	RETAINER	(HR)	1	27142139B	NSP
A036	SCREW	3TTB+8B(3CM)SR	4	801637	NSP
A038	SCREW	3TTB+8B(3CM)SR	2	801637	NSP
A040	SCREW	3TTB+8B(3CM)SR	4	801637	NSP
A042	SCREW	3TTB+8B(3CM)SR	2	801637	NSP
A044	HOLDER	KGLS-8RT	1	27190503A	NSP
A050	SCREW	3SMS8W SW+14B(CU)	14	801634	NSP
A051	ISO PLT	(HT-R)	1	28175339A	NSP
A052	RIVET	P3535	3	880051	NSP
A053	TAPE	TAPE(CLOTH-16U)	1	29110083	NSP
A054	SCREW	3TTB+8B(3CM)SR	1	801637	NSP
A056	BUSHING	S-RELIEF #2271	1	27300750	NSP
A060	WIRE TIE	BINDER(CLAMPER)UL	2	260258	NSP
A069	SCREW	3TTB+8B(3BC)	1	838430088GR	NSP
A071	LABEL	(SP)570	1	29390690A	NSP <B CMDC, CMPP>
A081	CUSHION	(BUTYL)	1	28141748	NSP
A090	CUSHION	(BUTYL)	1	28141748	NSP
A101	REAR PANEL	HT-R980PP	1	27124106	N <B CMPP>
A101	REAR PANEL	HT-R980DC	1	27124105A	N <B CMDC>
A102	CUSHION	---	2	28141799	NSP
A103	SCREW	3P+6FN(3BC)	5	82143006GR	NSP <B CMDC, CMPP>
A105	SCREW	3TTB+8B(3BC)	30	838430088GR	NSP <B CMDC, CMPP>
A109	SCREW	3P+6FN(3BC)	2	82143006GR	NSP <B CMDC, CMPP>
[CABINET]					
A201	F PANEL	HT-R980(B)DC	1	27213340	<B CMDC>
A201	F PANEL	HT-R980(B)PP	1	27213341	<B CMPP>
A202	CLEAR PLT	(AS)980D	1	28192292	N <B CMDC>
A202	CLEAR PLT	(AS)980P	1	28192293	N <B CMPP>
A207	BADGE	BADGE	1	28135244	
A213	KNOB	(INP)	1	28326666	
A215	KNOB	(SEL)	1	28326665	
A217	KNOB	(STNBY)	1	28326663A	
A219	KNOB	(CUR)	1	28326664A	
A221	IB CUSHION	W15*3t TAPE	1	28141585	NSP

A225	SCREW	2.6TTB+8B(3BC)	23	838426088GR	NSP	
A230	RETAINER	(U)	1	27142135A	NSP	
A232	SCREW	2.6TTB+8B(3BC)	5	838426088GR	NSP	
A234	RETAINER	(L)	1	27142133A	NSP	
A236	RETAINER	(R)	1	27142134A	NSP	
A238	SCREW	2.6TTB+8B(3BC)	4	838426088GR	NSP	
A250	B PLATE	--	1	28133425		
A254	WIRE TIE	BSK-1	7	260208	NSP	
A256	SCREW	3TTB+8B(3CM)SR	1	801637	NSP	
A258	SCREW	3TTB+8B(3CM)SR	4	801637	NSP	
A260	SCREW	3TTB+8B(3BC)	3	838430088GR	NSP	
A261	TAPE	TAPE(CLOTH-16U)	1	29110083	NSP	
A264	CUSHION	--	2	28141681	NSP	
A273	HOLDER	KGLS-4S	3	27190009	NSP	
A321	KNOB	(VOL)AS(B)	1	28326817		
A340	COVER	(B) (Bent)	1	28210031		
A340	COVER	(B) (Not Bent)	1	28210031Z		<B CMDC>
A342	SCREW	3TTB+8B(3BC)	7	838430088GR	NSP	
A350	PLATE	(COVER) B	1	27262851		
A354	HOLDER	(PLATE)	6	27191337		
A360	LABEL	(COVER)	1	29390767	NSP	
A362	LABEL	HOOKUP-ONKYO	1	29363194	NSP	<B CMDC>
[TRANS COIL]						
T901	P TRANS	NPT-1590D	1	2301974	!	<B CMDC>
T901	P TRANS	NPT-1590P	1	2301975	!	<B CMPP>
[SW TRM]						
F6901	FUSE	10A-UL/T-233	1	252330GR	!	<B CMDC, CMPP>
F6901 or	FUSE	10A-T/UL-ST2	(1)	252333GR	!	<B CMDC, CMPP>
F6902	FUSE	10A-UL/T-233	1	252330GR	!	<B CMDC, CMPP>
F6902 or	FUSE	10A-T/UL-ST2	(1)	252333GR	!	<B CMDC, CMPP>
F901	FUSE	4A-SE-EAK FUSE	1	252077GR	!	<B CMPP>
F901	FUSE	8A-UL/T-233	1	252329GR	!	<B CMDC>
F901 or	FUSE	8A-T/UL-ST2	(1)	252261GR	!	<B CMDC>
F901 or	FUSE	4A-SE-TL250V	(1)	252277GR	!	<B CMPP>
F901C	LABEL	T4AL250V	1	29361732A		<B CMPP>
P101	FFC	NCFC7-111512	1	2047111512		
P2801	FFC	NCFC7-091012	1	2047091012		
P6601A	P RIVET	JB-407A-C	14	880052		<B CMPP>
P701	FFC	NCFC7-312012	1	2047312012		
P901	AC CORD	AS-CEE-2	1	253306VOL	!	<B CMPP>
P901	AC CORD	AS-UC-2	1	253368AYUN	!	<B CMDC>
P901 or	AC CORD	AS-UC-2	(1)	253368BLTK	!	<B CMDC>
P901 or	AC CORD	AS-CEE-2	(1)	253374YUN	!	<B CMPP>
[TUNER UNIT]						
U001	AF-AS(Amplifier Asy) U0010+U0011+U0012+U0013+U0014	BAAF-0348-1A *	1	1B247548-1A		<B CMDC>
U001	AF-AS(Amplifier Asy) U0010+U0011+U0012+U0013+U0014	BAAF-0348-1B *	1	1B247548-1B		<B CMPP>
U0010	AF-AS(Amplifier Asy)	BAAF-0348-1A	1	1B2475348-1A		<B CMDC>
U0010	AF-AS(Amplifier Asy)	BAAF-0348-1B	1	1B2475348-1B		<B CMPP>
U0011	PWB(FL Tube -VP)	BAPS-0349-1A	1	1B2475349-1A	N	<B CMDC>
U0011	PWB(FL Tube -VP)	BAPS-0349-1B	1	1B2475349-1B	N	<B CMPP>
U0012	PWB(Thermal Sensor)	BAETC-0350-1A	1	1B2475350-1A	N	<B CMDC>
U0012	PWB(Thermal Sensor)	BAETC-0350-1B	1	1B2475350-1B	N	<B CMPP>
U0013	PWB(Thermal Sensor FIX)	BAETC-0351-1A	1	1B2475351-1A	N	<B CMDC>
U0013	PWB(Thermal Sensor FIX)	BAETC-0351-1B	1	1B2475351-1B	N	<B CMPP>

U0014	PWB(Trans Terminal FIX)	BAETC-0352-1A	1	1B2475352-1A	N	<B CMDC>
U0014	PWB(Trans Terminal FIX)	BAETC-0352-1B	1	1B2475352-1B	N	<B CMPP>
U003	DG-AS(MPU/DIR/DAC Asy) U0030+U0031	BADG-0364-1T *	1	1B247564-1T	N	<B CMDC>
U003	DG-AS(MPU/DIR/DAC Asy) U0030+U0032	BADG-0364-1U *	1	1B247564-1U	N	<B CMPP>
U0030	DG-AS(MPU/DIR/DAC Asy)	BADG-0364-1T	1	1B2475364-1T	N	<B CMDC>
U0030	DG-AS(MPU/DIR/DAC Asy)	BADG-0364-1U	1	1B2475364-1U	N	<B CMPP>
U0031	PWB(U Port Jack)	BAETC-0365-1T	1	1B2475365-1T	N	<B CMDC>
U0031	PWB(U Port Jack)	BAETC-0365-1U	1	1B2475365-1U	N	<B CMPP>
U004	DIS-AS(Display/Video/ Pow_supply/etc Asy) U0040+U0041U+0042+U0043+U0044	BADIS-0373-1K *	1	1B247573-1K		<B CMDC>
U004	DIS-AS(Display/Video/ Pow_supply/etc Asy) U0040+U0041U+0042+U0043+U0045	BADIS-0373-1N *	1	1B247573-1N		<B CMPP>
U0040	DIS-AS(Display Asy)	BADIS-0373-1K	1	1B2475373-1K		<B CMDC>
U0040	DIS-AS(Display Asy)	BADIS-0373-1N	1	1B2475373-1N		<B CMPP>
U0041	PWB(Standby Key/LED)	BADIS-0374-1K	1	Included in "REF.NO. U0040"	N	<B CMDC>
U0041	PWB(Standby Key/LED)	BADIS-0374-1N	1	Included in "REF.NO. U0040"	N	<B CMPP>
U0042	PWB(Video Asy)	BAVD-0375-1K	1	1B2475375-1K	N	<B CMDC>
U0042	PWB(Video Asy)	BAVD-0375-1N	1	1B2475375-1N	N	<B CMPP>
U0043	PWB(Power Supply Asy)	BAETC-0376-1K	1	1B2475376-1K	N	<B CMDC>
U0043	PWB(Power Supply Asy)	BAETC-0376-1N	1	1B2475376-1N	N	<B CMPP>
U0044	PWB(HP Jack Asy)	BAETC-0377-1K	1	1B2475377-1K	N	<B CMDC>
U0044	PWB(HP Jack Asy)	BAETC-0377-1N	1	1B2475377-1N	N	<B CMPP>
U006	TRM-AS(SP Terminal Asy) U0060+U0064	BATRM-0368-1A *	1	1B247568-1A		<B CMDC>
U006	TRM-AS(SP Terminal Asy) U0060+U0065	BATRM-0368-1B *	1	1B247568-1B		<B CMPP>
U0060	TRM-AS(SP Terminal Asy)	BATRM-0368-1A	1	1B2475368-1A		<B CMDC>
U0060	TRM-AS(SP Terminal Asy)	BATRM-0368-1B	1	1B2475368-1B		<B CMPP>
U0064	PWB(other use)	BAETC-0372-1A	1	1B2475372-1A	N	<B CMDC>
U0064	PWB(other use)	BAETC-0372-1B	1	1B2475372-1B	N	<B CMPP>
U007	HDM-AS(HDMI Asy)	BAHDM-0403-1A *	1	1B247503-1A		
U010	TUNER UNIT	FAEH06-E01EX	1	240165		<B CMPP>
U010	TUNER UNIT	FAEH06-A01US	1	240166		<B CMDC>

HT-R980

PACKING PROCEDURES PARTS LIST

REF. NO.	PART NAME	DESCRIPTION	Q'TY	PART NO. (SN)	REMARKS
[PACKING]					
A601	PAD	(AS)307C	1	29092482B	
A605	POLY BAG	w850xd650	1	29100245	
A606	TAPE	(SEROHAN)NITTO NO.29	1	29110149	
A608	SHEET	T0.5x600x500	1	29096097	
A611	TAPE	(SEROHAN)NITTO NO.29	1	29110149	
A704A	LABEL	(DES)980BMDC	{ 1 }	29391096	N <B CMDC>
A704A	LABEL	(DES)980BMPP	{ 1 }	29391097	N <B CMPP>
[ACCESSARY]					

A672	POLY BAG	w250xd350	1	29100250A	<B CMDC, CMPP>
A673	POLY BAG	--	1	29100225A	<B CMPP>
A674	POLY BAG	D250xd300xW300(t0.04)	1	29100256A	
A676	TAPE	(SEROHAN)NITTO NO.29	1	29110148	
A801	INS MANUAL	U2EnFr(HT-R980)	1	29400486	N
A802	INS MANUAL	Es(HT-R980)	1	29400487	N <B CMDC, CMPP>
A804	INS MANUAL	U3DeNiSv(HT-R980)	1	29400488	N <B CMPP>
A810	INS MANUAL	En(QSS HT-S9300THX)	1	29400238	N
A823	INS MANUAL	U9(2010 Prepro)	1	29400269	
A826	INST SHEET	U11(2010 RIHD)	1	29355782	
A830	INST SHEET	WEEE	1	29355793	<B CMPP>
A835	HANDBILL	(UP-A1)US	1	29380155	<B CMDC>
A835	HANDBILL	(UP-A1)EU	1	29380156	<B CMPP>
A855	REMO CON	RC-764M	1	24140764	
A856	MIC	MIC-7000	1	245044	
A858	ANT COIL	NMA-3057	1	232140	
A859	FM ANT AS	Type W	1	292191	
A861	BATTERY	R6/AA(UM-3)	2	3010194	<B CMDC, CMPP>
A861 or	BATTERY	R6/AA(UM-3)	(2)	3010054	<B CMDC, CMPP>
A885	WRNTY CARD	(ONKYO)	1	29365135	<B CMDC>

HT-R980

PC BOARD PARTS LIST

U001	AF-AS(Amplifier Asy) U0010+U0011+U0012+U0013+U0014	BAAF-0348-1A *	1	1B247548-1A	N <B CMDC>
U001	AF-AS(Amplifier Asy) U0010+U0011+U0012+U0013+U0014	BAAF-0348-1B *	1	1B247548-1B	N <B CMPP>
U0010	AF-AS(Amplifier Asy)	BAAF-0348-1A	1	1B2475348-1A	N <B CMDC>
U0010	AF-AS(Amplifier Asy)	BAAF-0348-1B	1	1B2475348-1B	N <B CMPP>
U0011	PWB(FL Tube -VP)	BAPS-0349-1A	1	1B2475349-1A	N <B CMDC>
U0011	PWB(FL Tube -VP)	BAPS-0349-1B	1	1B2475349-1B	N <B CMPP>
U0012	PWB(Thermal Senser)	BAETC-0350-1A	1	1B2475350-1A	N <B CMDC>
U0012	PWB(Thermal Senser)	BAETC-0350-1B	1	1B2475350-1B	N <B CMPP>
U0013	PWB(Thermal Senser FIX)	BAETC-0351-1A	1	1B2475351-1A	N <B CMDC>
U0013	PWB(Thermal Senser FIX)	BAETC-0351-1B	1	1B2475351-1B	N <B CMPP>
U0014	PWB(Trans Terminal FIX)	BAETC-0352-1A	1	1B2475352-1A	N <B CMDC>
U0014	PWB(Trans Terminal FIX)	BAETC-0352-1B	1	1B2475352-1B	N <B CMPP>

CIRCUIT	PART NAME	DESCRIPTION	QTY	PART NO. (SN)	REMARKS
[SEMI CONDUCTOR]					
D4171	ZENER D	MTZJ6.2B	1	224470622T	
D4172	ZENER D	MTZJ6.2B	1	224470622T	
D4173	DIODE	1SS133	1	223163T	
D4174	DIODE	1SS133	1	223163T	
D4207	C-DIODE	KDS4148U	1	223283R2	NSP <B CMDC, B CMPP>
D4207 or	C-DIODE	1SS352	(1)	223234R2	NSP <B CMDC, B CMPP>
D4207 or	C-DIODE	MA2J111	(1)	223279R2	NSP <B CMDC, B CMPP>
D4208	C-DIODE	KDS4148U	1	223283R2	NSP
D4208 or	C-DIODE	1SS352	(1)	223234R2	NSP
D4208 or	C-DIODE	MA2J111	(1)	223279R2	NSP
D4217	C-DIODE	KDS4148U	1	223283R2	NSP <B CMDC, B CMPP>

D4217 or	C-DIODE	SS352	(1)	223234R2	NSP	<B CMDC, B CMPP>
D4217 or	C-DIODE	MA2J111	(1)	223279R2	NSP	<B CMDC, B CMPP>
D4218	C-DIODE	KDS4148U	1	223283R2	NSP	
D4218 or	C-DIODE	SS352	(1)	223234R2	NSP	
D4218 or	C-DIODE	MA2J111	(1)	223279R2	NSP	
D4300	DIODE	RL1N4003	1	22380260T		
D4301	DIODE	RL1N4003	1	22380260T		
D4302	DIODE	RL1N4003	1	22380260T		
D4303	DIODE	RL1N4003	1	22380260T		
D4304	DIODE	RL1N4003	1	22380260T		
D4305	DIODE	RL1N4003	1	22380260T		
D5000	ZENER D	MTZJ5.6B	1	224470562T		
D5001	ZENER D	MTZJ5.6B	1	224470562T		
D5002	ZENER D	MTZJ5.6B	1	224470562T		
D5003	ZENER D	MTZJ5.6B	1	224470562T		
D5004	ZENER D	MTZJ5.6B	1	224470562T		
D5005	ZENER D	MTZJ5.6B	1	224470562T		
D5006	ZENER D	MTZJ5.6B	1	224470562T		
D6000	C-DIODE	KDS4148U	1	223283R2	NSP	
D6000 or	C-DIODE	SS352	(1)	223234R2	NSP	
D6000 or	C-DIODE	MA2J111	(1)	223279R2	NSP	
D6001	C-DIODE	KDS4148U	1	223283R2	NSP	
D6001 or	C-DIODE	SS352	(1)	223234R2	NSP	
D6001 or	C-DIODE	MA2J111	(1)	223279R2	NSP	
D6002	C-DIODE	KDS4148U	1	223283R2	NSP	
D6002 or	C-DIODE	SS352	(1)	223234R2	NSP	
D6002 or	C-DIODE	MA2J111	(1)	223279R2	NSP	
D6003	C-DIODE	KDS4148U	1	223283R2	NSP	
D6003 or	C-DIODE	SS352	(1)	223234R2	NSP	
D6003 or	C-DIODE	MA2J111	(1)	223279R2	NSP	
D6004	C-DIODE	KDS4148U	1	223283R2	NSP	
D6004 or	C-DIODE	SS352	(1)	223234R2	NSP	
D6004 or	C-DIODE	MA2J111	(1)	223279R2	NSP	
D6005	C-DIODE	KDS4148U	1	223283R2	NSP	
D6005 or	C-DIODE	SS352	(1)	223234R2	NSP	
D6005 or	C-DIODE	MA2J111	(1)	223279R2	NSP	
D6006	C-DIODE	KDS4148U	1	223283R2	NSP	
D6006 or	C-DIODE	SS352	(1)	223234R2	NSP	
D6006 or	C-DIODE	MA2J111	(1)	223279R2	NSP	
D6701	C-DIODE	KDS4148U	1	223283R2	NSP	
D6701 or	C-DIODE	SS352	(1)	223234R2	NSP	
D6701 or	C-DIODE	MA2J111	(1)	223279R2	NSP	
D6702	C-DIODE	KDS4148U	1	223283R2	NSP	

D6702 or	C-DIODE	SS352	(1)	223234R2	NSP	
D6702 or	C-DIODE	MA2J111	(1)	223279R2	NSP	
D6703	ZENER D	UDZS3.3B	1	224550330R2		
D6704	ZENER D	UDZS3.3B	1	224550330R2		
D6713	ZENER D	UDZS3.3B	1	224550330R2		
D6901	DIODE	D10XB60H	1	22380337		
D6901A	HEAT SINK	RAD-196	1	27160545		
D6901C	SCREW	3P+10FN(3BC)	1	82143010GR		
D6902	C-DIODE	KDS4148U	1	223283R2	NSP	
D6902 or	C-DIODE	SS352	(1)	223234R2	NSP	
D6902 or	C-DIODE	MA2J111	(1)	223279R2	NSP	
D960	DIODE	RL1N4003	1	22380260T		
D961	DIODE	RL1N4003	1	22380260T		
D962	ZENER D	UDZS36B	1	224553600R2		
Q4001	IC	R2A15218FP	1	22242605R3		
Q4003	IC	NJM4580M-D	1	22241448R2		
Q4100	TR	RN1441	1	2215410R2		
Q4101	TR	RN1441	1	2215410R2		
Q4102	TR	RN1441	1	2215410R2		
Q4103	TR	RN1441	1	2215410R2		
Q4104	TR	RN1441	1	2215410R2		
Q4105	TR	RN1441	1	2215410R2		
Q4106	TR	RN1441	1	2215410R2		
Q4107	TR	RN1441	1	2215410R2		
Q4108	TR	RN1441	1	2215410R2		<B CMDC, B CMPP>
Q4109	TR	RN1441	1	2215410R2		<B CMDC, B CMPP>
Q4117	TR	RN1441	1	2215410R2		
Q4130	IC	NJM4580M-D	1	22241448R2		
Q4170	IC	78M15HF(NJM78M15FA)	1	222780155JRC		
Q4170 or	IC	UPC78M15AHF-AZ	(1)	222780155NEC		
Q4170A	HEAT SINK	RAD-196	1	27160545	NSP	
Q4170B	SCREW	3P+10FN(3BC)	1	82143010GR	NSP	
Q4171	IC	79M15HF(NJM79M15FA)	1	222790155JRC		
Q4171 or	IC	UPC79M15HF-AZ	(1)	222790155NEC		
Q4171B	SCREW	3P+10FN(3BC)	1	82143010GR	NSP	
Q5000	TR	2SC2240-BL(TPE2_F)	1	2211406T		
Q5001	TR	2SC2240-BL(TPE2_F)	1	2211406T		
Q5002	TR	2SC2240-BL(TPE2_F)	1	2211406T		
Q5003	TR	2SC2240-BL(TPE2_F)	1	2211406T		
Q5004	TR	2SC2240-BL(TPE2_F)	1	2211406T		
Q5005	TR	2SC2240-BL(TPE2_F)	1	2211406T		
Q5006	TR	2SC2240-BL(TPE2_F)	1	2211406T		
Q5010	TR	2SC2240-BL(TPE2_F)	1	2211406T		

Q5011	TR	2SC2240-BL(TPE2_F)	1	2211406T	
Q5012	TR	2SC2240-BL(TPE2_F)	1	2211406T	
Q5013	TR	2SC2240-BL(TPE2_F)	1	2211406T	
Q5014	TR	2SC2240-BL(TPE2_F)	1	2211406T	
Q5015	TR	2SC2240-BL(TPE2_F)	1	2211406T	
Q5016	TR	2SC2240-BL(TPE2_F)	1	2211406T	
Q5030	TR	2SA949-Y(TPE6_F)	1	2211354T	<B CMDC, B CMPP>
Q5031	TR	2SA949-Y(TPE6_F)	1	2211354T	<B CMDC, B CMPP>
Q5032	TR	2SA949-Y(TPE6_F)	1	2211354T	<B CMDC, B CMPP>
Q5033	TR	2SA949-Y(TPE6_F)	1	2211354T	<B CMDC, B CMPP>
Q5034	TR	2SA949-Y(TPE6_F)	1	2211354T	<B CMDC, B CMPP>
Q5035	TR	2SA949-Y(TPE6_F)	1	2211354T	<B CMDC, B CMPP>
Q5036	TR	2SA949-Y(TPE6_F)	1	2211354T	<B CMDC, B CMPP>
Q5040	TR	2SC2229-Y(TPE6_F)	1	2211634T	<B CMDC, B CMPP>
Q5041	TR	2SC2229-Y(TPE6_F)	1	2211634T	<B CMDC, B CMPP>
Q5042	TR	2SC2229-Y(TPE6_F)	1	2211634T	<B CMDC, B CMPP>
Q5043	TR	2SC2229-Y(TPE6_F)	1	2211634T	<B CMDC, B CMPP>
Q5044	TR	2SC2229-Y(TPE6_F)	1	2211634T	<B CMDC, B CMPP>
Q5045	TR	2SC2229-Y(TPE6_F)	1	2211634T	<B CMDC, B CMPP>
Q5046	TR	2SC2229-Y(TPE6_F)	1	2211634T	<B CMDC, B CMPP>
Q5050	TR	2SC1815-GR	1	2211255T	
Q5051	TR	2SC1815-GR	1	2211255T	
Q5052	TR	2SC1815-GR	1	2211255T	
Q5053	TR	2SC1815-GR	1	2211255T	
Q5054	TR	2SC1815-GR	1	2211255T	
Q5055	TR	2SC1815-GR	1	2211255T	
Q5056	TR	2SC1815-GR	1	2211255T	
Q6000	TR	2SC1740S-S	1	2213285T	
Q6001	TR	2SC1740S-S	1	2213285T	
Q6002	TR	2SC1740S-S	1	2213285T	
Q6003	TR	2SC1740S-S	1	2213285T	
Q6004	TR	2SC1740S-S	1	2213285T	
Q6005	TR	2SC1740S-S	1	2213285T	
Q6006	TR	2SC1740S-S	1	2213285T	
Q6010	TR	2SC1740S-S	1	2213285T	
Q6011	TR	2SC1740S-S	1	2213285T	
Q6012	TR	2SC1740S-S	1	2213285T	
Q6013	TR	2SC1740S-S	1	2213285T	
Q6014	TR	2SC1740S-S	1	2213285T	
Q6015	TR	2SC1740S-S	1	2213285T	
Q6016	TR	2SC1740S-S	1	2213285T	
Q6030	TR	2SC5171(ONK_Q)	1	2203010	
Q6031	TR	2SC5171(ONK_Q)	1	2203010	

Q6032	TR	2SC5171(ONK_Q)	1	2203010	
Q6033	TR	2SC5171(ONK_Q)	1	2203010	
Q6033 or	TR	KTD2061-Y	(1)	2203434	
Q6034	TR	2SC5171(ONK_Q)	1	2203010	
Q6034 or	TR	KTD2061-Y	(1)	2203434	
Q6035	TR	2SC5171(ONK_Q)	1	2203010	
Q6035 or	TR	KTD2061-Y	(1)	2203434	
Q6036	TR	2SC5171(ONK_Q)	1	2203010	
Q6036 or	TR	KTD2061-Y	(1)	2203434	
Q6040	TR	2SA1930(ONK_Q)	1	2203000	
Q6041	TR	2SA1930(ONK_Q)	1	2203000	
Q6042	TR	2SA1930(ONK_Q)	1	2203000	
Q6043	TR	2SA1930(ONK_Q)	1	2203000	
Q6043 or	TR	KTB1369-Y	(1)	2203424	
Q6044	TR	2SA1930(ONK_Q)	1	2203000	
Q6044 or	TR	KTB1369-Y	(1)	2203424	
Q6045	TR	2SA1930(ONK_Q)	1	2203000	
Q6045 or	TR	KTB1369-Y	(1)	2203424	
Q6046	TR	2SA1930(ONK_Q)	1	2203000	
Q6046 or	TR	KTB1369-Y	(1)	2203424	
Q6070	TR	2SC2229-Y(TPE6_F)	1	2211634T	
Q6071	TR	2SC2229-Y(TPE6_F)	1	2211634T	
Q6072	TR	2SC2229-Y(TPE6_F)	1	2211634T	
Q6073	TR	2SC2229-Y(TPE6_F)	1	2211634T	
Q6074	TR	2SC2229-Y(TPE6_F)	1	2211634T	
Q6075	TR	2SC2229-Y(TPE6_F)	1	2211634T	
Q6076	TR	2SC2229-Y(TPE6_F)	1	2211634T	
Q6380	IC	LM61CIZ	1	22242212	
Q6380A	RETAINER	(PTH)	1	27141884-1	
Q6701	TR	2SC2712-GR	1	2213145R2	
Q6701 or	TR	KTC3875-GR	(1)	2216175R2	
Q6702	TR	2SC2712-GR	1	2213145R2	
Q6702 or	TR	KTC3875-GR	(1)	2216175R2	
Q6703	TR	2SA1163-BL(TE85L_F)	1	2216756R2	
Q6707	TR	2SC2712-GR	1	2213145R2	
Q6707 or	TR	KTC3875-GR	(1)	2216175R2	
Q6713	TR	2SA1163-BL(TE85L_F)	1	2216756R2	
Q960	TR	2SC2235-Y(TPE6_F)	1	2211654T	
Q960 or	TR	2SC2235-O(TPE6_F)	(1)	2211653T	
[TRANS COIL]					
L4001	CHOKE COIL	LBC2518T2R2M	1	231364M022R2	
[CAPACITOR]					
C4001	C-CERA C	CC725CH1H-152J1	1	342101524R1	NSP<-B CMDC, B CMPP>

C4002	C-CERA C	CC725CH1H-152J1	1	342101524R1	NSP	<B CMDC, B CMPP>
C4003	UPZ C	2AUPZTF221JE	1	376332214T		
C4004	UPZ C	2AUPZTF221JE	1	376332214T		
C4009	C-CERA C	CC725CH1H-221J1	1	342102214R1	NSP	
C4010	C-CERA C	CC725CH1H-221J1	1	342102214R1	NSP	
C4013	C-CERA C	CC725CH1H-221J1	1	342102214R1	NSP	
C4014	C-CERA C	CC725CH1H-221J1	1	342102214R1	NSP	
C4017	C-CERA C	CC725CH1H-221J1	1	342102214R1	NSP	
C4018	C-CERA C	CC725CH1H-221J1	1	342102214R1	NSP	
C4019	UPZ C	2AUPZTF221JE	1	376332214T	NSP	
C4020	UPZ C	2AUPZTF221JE	1	376332214T		
C4027	C-CERA C	CC725CH1H-221J1	1	342102214R1	NSP	
C4030	C-CERA C	CC725CH1H-221J1	1	342102214R1	NSP	<B CMDC, B CMPP>
C4031	C-CERA C	CC725CH1H-221J1	1	342102214R1	NSP	<B CMDC, B CMPP>
C4050	UTSP C	CE04W25V-47M(UTSP)	1	397554707T		
C4051	UTSP C	CE04W25V-47M(UTSP)	1	397554707T		
C4052	UTSP C	CE04W25V-47M(UTSP)	1	397554707T		
C4053	UTSP C	CE04W25V-47M(UTSP)	1	397554707T		
C4054	UTSP C	CE04W25V-47M(UTSP)	1	397554707T		
C4055	UTSP C	CE04W25V-47M(UTSP)	1	397554707T		
C4056	UTSP C	CE04W25V-47M(UTSP)	1	397554707T		
C4057	UTSP C	CE04W25V-47M(UTSP)	1	397554707T		
C4060	UTSP C	CE04W25V-47M(UTSP)	1	397554707T		
C4061	UTSP C	CE04W25V-47M(UTSP)	1	397554707T		
C4062	TF C	ECQ-V50V-474J	1	374724744T		
C4063	TF C	ECQ-V50V-823J	1	374728234T		
C4064	TF C	ECQ-V50V-223J	1	374722234T		
C4065	TF C	ECQ-V50V-474J	1	374724744T		
C4066	TF C	ECQ-V50V-823J	1	374728234T		
C4067	TF C	ECQ-V50V-223J	1	374722234T		
C4070	UTSP C	CE04W50V 47M(UTSP)	1	397584707T		
C4071	UTSP C	CE04W50V 47M(UTSP)	1	397584707T		
C4072	UTSP C	CE04W50V 47M(UTSP)	1	397584707T		
C4073	UTSP C	CE04W50V 47M(UTSP)	1	397584707T		
C4074	UTSP C	CE04W50V 47M(UTSP)	1	397584707T		
C4075	UTSP C	CE04W50V 47M(UTSP)	1	397584707T		
C4076	UTSP C	CE04W50V 47M(UTSP)	1	397584707T		
C4077	UTSP C	CE04W50V 47M(UTSP)	1	397584707T		
C4085	UTSP C	CE04W25V-47M(UTSP)	1	397554707T		
C4086	UTSP C	CE04W25V-47M(UTSP)	1	397554707T		
C4090	C-CERA C	CC725CH1H-101J1	1	342101014R1		
C4091	C-CERA C	CC725CH1H-101J1	1	342101014R1		
C4100	UTSP C	CE04W50V 47M(UTSP)	1	397584707T		

C4101	UTSP C	CE04W50V 47M(UTSP)	1	397584707T	
C4102	UTSP C	CE04W50V 47M(UTSP)	1	397584707T	
C4103	UTSP C	CE04W50V 47M(UTSP)	1	397584707T	
C4104	UTSP C	CE04W50V 47M(UTSP)	1	397584707T	
C4105	UTSP C	CE04W50V 47M(UTSP)	1	397584707T	
C4106	UTSP C	CE04W50V 47M(UTSP)	1	397584707T	
C4107	UTSP C	CE04W25V-100M(UTSP)	1	397551017T	
C4108	UTSP C	CE04W50V 47M(UTSP)	1	397584707T	<B CMDC, B CMPP>
C4109	UTSP C	CE04W50V 47M(UTSP)	1	397584707T	<B CMDC, B CMPP>
C4130	UTSP C	CE04W50V 47M(UTSP)	1	397584707T	
C4131	C-CERA C	CC725CH1H-221J1	1	342102214R1	
C4132	TF C	ECQ-V50V-103J	1	374721034T	
C4166	UTSP C	CE04W25V-220M(UTSP)	1	397552217T	
C4167	UTSP C	CE04W25V-220M(UTSP)	1	397552217T	
C4170	UTSP C	CE04W50V-10M(UTSP)	1	397581007T	
C4171	UTSP C	CE04W50V-10M(UTSP)	1	397581007T	
C4172	UTSP C	CE04W25V-220M(UTSP)	1	397552217T	
C4173	UTSP C	CE04W25V-220M(UTSP)	1	397552217T	
C4174	UTSP C	CE04W16V-470M(UTSP)	1	397544717T	
C4175	UTSP C	CE04W16V-470M(UTSP)	1	397544717T	
C4203	C-CERA C	CC725CH1H-102J1	1	342101024R1	NSP
C4204	C-CERA C	CC725CH1H-102J1	1	342101024R1	NSP
C4205	C-CERA C	CC725CH1H-102J1	1	342101024R1	NSP
C4207	C-CERA C	CC725CH1H-102J1	1	342101024R1	NSP <B CMDC, B CMPP>
C4208	C-CERA C	CC725CH1H-102J1	1	342101024R1	NSP
C4209	UTSP C	CE04W25V-47M(UTSP)	1	397554707T	
C4210	UTSP C	CE04W25V-47M(UTSP)	1	397554707T	
C4300	TF C	ECQ-V50V-334J	1	374723344T	
C4301	VR C	CE04W35V-1000M(VR)	1	394661027S	
C4302	VR C	CE04W35V-470M(VR)	1	394664717T	
C5000	UPZ C	2AUPZTF221JE	1	376332214T	
C5001	UPZ C	2AUPZTF221JE	1	376332214T	
C5002	UPZ C	2AUPZTF221JE	1	376332214T	
C5003	UPZ C	2AUPZTF221JE	1	376332214T	
C5004	UPZ C	2AUPZTF221JE	1	376332214T	
C5005	UPZ C	2AUPZTF221JE	1	376332214T	
C5006	UPZ C	2AUPZTF221JE	1	376332214T	
C5010	UTSP C	CE04W50V 47M(UTSP)	1	397584707T	
C5011	UTSP C	CE04W50V 47M(UTSP)	1	397584707T	
C5012	UTSP C	CE04W50V 47M(UTSP)	1	397584707T	
C5013	UTSP C	CE04W50V 47M(UTSP)	1	397584707T	
C5014	UTSP C	CE04W50V 47M(UTSP)	1	397584707T	
C5015	UTSP C	CE04W50V 47M(UTSP)	1	397584707T	

C5016	UTSP C	CE04W50V 47M(UTSP)	1	397584707T		
C5020	UTSP C	CE04W50V-10M(UTSP)	1	397581007T		
C5021	UTSP C	CE04W50V-10M(UTSP)	1	397581007T		
C5022	UTSP C	CE04W50V-10M(UTSP)	1	397581007T		
C5023	UTSP C	CE04W50V-10M(UTSP)	1	397581007T		
C5024	UTSP C	CE04W50V-10M(UTSP)	1	397581007T		
C5025	UTSP C	CE04W50V-10M(UTSP)	1	397581007T		
C5026	UTSP C	CE04W50V-10M(UTSP)	1	397581007T		
C5040	UTSP C	CE04W25V-220M(UTSP)	1	397552217T		
C5041	UTSP C	CE04W25V-220M(UTSP)	1	397552217T		
C5042	UTSP C	CE04W25V-220M(UTSP)	1	397552217T		
C5043	UTSP C	CE04W25V-220M(UTSP)	1	397552217T		
C5044	UTSP C	CE04W25V-220M(UTSP)	1	397552217T		
C5045	UTSP C	CE04W25V-220M(UTSP)	1	397552217T		
C5046	UTSP C	CE04W25V-220M(UTSP)	1	397552217T		
C5050	UTSP C	CE04W50V 47M(UTSP)	1	397584707T		
C5051	UTSP C	CE04W50V 47M(UTSP)	1	397584707T		
C5052	UTSP C	CE04W50V 47M(UTSP)	1	397584707T		
C5053	UTSP C	CE04W50V 47M(UTSP)	1	397584707T		
C5054	UTSP C	CE04W50V 47M(UTSP)	1	397584707T		
C5055	UTSP C	CE04W50V 47M(UTSP)	1	397584707T		
C5056	UTSP C	CE04W50V 47M(UTSP)	1	397584707T		
C5080	CERA C	CC45SL50V-040C	1	345020401T		
C5081	CERA C	CC45SL50V-040C	1	345020401T		
C5082	CERA C	CC45SL50V-040C	1	345020401T		
C5083	CERA C	CC45SL50V-040C	1	345020401T		
C5084	CERA C	CC45SL50V-040C	1	345020401T		
C5085	CERA C	CC45SL50V-040C	1	345020401T		
C5086	CERA C	CC45SL50V-040C	1	345020401T		
C5090	UPZ C	2AUPZTF101JE	1	376331014T		
C5091	UPZ C	2AUPZTF101JE	1	376331014T		
C5092	UPZ C	2AUPZTF101JE	1	376331014T		
C5093	UPZ C	2AUPZTF101JE	1	376331014T		
C5094	UPZ C	2AUPZTF101JE	1	376331014T		
C5095	UPZ C	2AUPZTF101JE	1	376331014T		
C5096	UPZ C	2AUPZTF101JE	1	376331014T		
C5100	VR C	CE04W100V-22M(VR)	1	394692207T		
C5101	VR C	CE04W100V-22M(VR)	1	394692207T		
C5102	VR C	CE04W100V-22M(VR)	1	394692207T		
C5103	VR C	CE04W100V-22M(VR)	1	394692207T		
C5104	VR C	CE04W100V-22M(VR)	1	394692207T		
C5105	VR C	CE04W100V-22M(VR)	1	394692207T		
C5106	VR C	CE04W100V-22M(VR)	1	394692207T		

C5110	VR C	CE04W100V-22M(VR)	1	394692207T	
C5111	VR C	CE04W100V-22M(VR)	1	394692207T	
C5112	VR C	CE04W100V-22M(VR)	1	394692207T	
C5113	VR C	CE04W100V-22M(VR)	1	394692207T	
C5114	VR C	CE04W100V-22M(VR)	1	394692207T	
C5115	VR C	CE04W100V-22M(VR)	1	394692207T	
C5116	VR C	CE04W100V-22M(VR)	1	394692207T	
C6030	TF C	ECQ-V50V-473J	1	374724734T	
C6031	TF C	ECQ-V50V-473J	1	374724734T	
C6032	TF C	ECQ-V50V-473J	1	374724734T	
C6033	TF C	ECQ-V50V-473J	1	374724734T	
C6034	TF C	ECQ-V50V-473J	1	374724734T	
C6035	TF C	ECQ-V50V-473J	1	374724734T	
C6036	TF C	ECQ-V50V-473J	1	374724734T	
C6040	UTSP C	CE04W50V 47M(UTSP)	1	397584707T	
C6041	UTSP C	CE04W50V 47M(UTSP)	1	397584707T	
C6042	UTSP C	CE04W50V 47M(UTSP)	1	397584707T	
C6043	UTSP C	CE04W50V 47M(UTSP)	1	397584707T	
C6044	UTSP C	CE04W50V 47M(UTSP)	1	397584707T	
C6045	UTSP C	CE04W50V 47M(UTSP)	1	397584707T	
C6046	UTSP C	CE04W50V 47M(UTSP)	1	397584707T	
C6050	TF C	ECQ-V50V-103J	1	374721034T	
C6051	TF C	ECQ-V50V-103J	1	374721034T	
C6052	TF C	ECQ-V50V-103J	1	374721034T	
C6053	TF C	ECQ-V50V-103J	1	374721034T	
C6054	TF C	ECQ-V50V-103J	1	374721034T	
C6055	TF C	ECQ-V50V-103J	1	374721034T	
C6056	TF C	ECQ-V50V-103J	1	374721034T	
C6076	MKT C	B32529C0102J289	1	376491024T	<B CMPP>
C6077	MKT C	B32529C0102J289	1	376491024T	<B CMPP>
C6086	TF C	ECQ-V50V-103J	1	374721034T	<B CMPP>
C6087	TF C	ECQ-V50V-103J	1	374721034T	<B CMPP>
C6701	UTSP C	CE04W25V-100M(UTSP)	1	397551017T	
C6703	C-CERA C	CK725F1H-104Z1	1	332151040R1	NSP
C6704	UTSP C	CE04W50V-1M(UTSP)	1	397580107T	
C6706	UTSP C	CE04W50V-10M(UTSP)	1	397581007T	
C6713	C-CERA C	CK725F1E-104Z1	1	332161040R1	
C6714	UTSP C	CE04W50V-1M(UTSP)	1	397580107T	
C6901	ELECT C	CE69W63V-8200MB	1	3504420	<B CMDC, B CMPP>
C6902	ELECT C	CE69W63V-8200MB	1	3504420	<B CMDC, B CMPP>
C6911	C-CERA C	CC725CH1H-102J1	1	342101024R1	NSP
C6912	TF C	ECQ-V50V-334J	1	374723344T	
C6913	TF C	ECQ-V50V-334J	1	374723344T	

C950	TF C	ECQ-V50V-104J	1	374721044T	
C960	VR C	CE04W63V-220M(VR)	1	394672217T	
C961	VR C	CE04W50V-47M(VR)	1	394684707T	
C962	C-CERA C	CK725F1E-104Z1	1	332161040R1	NSP
[RESISTOR]					
R4000	C-CARBON R	RN72K1J-331JE	1	435033314R1	NSP
R4003	C-CARBON R	RN72K1J-331JE	1	435033314R1	NSP
R4004	C-CARBON R	RN72K1J-331JE	1	435033314R1	NSP
R4009	C-CARBON R	RN72K1J-331JE	1	435033314R1	NSP
R4010	C-CARBON R	RN72K1J-331JE	1	435033314R1	NSP
R4013	C-CARBON R	RN72K1J-331JE	1	435033314R1	NSP
R4014	C-CARBON R	RN72K1J-331JE	1	435033314R1	NSP
R4015	C-CARBON R	RN72K1J-222JE	1	435032224R1	NSP
R4016	C-CARBON R	RN72K1J-222JE	1	435032224R1	NSP
R4017	C-CARBON R	RN72K1J-331JE	1	435033314R1	NSP
R4018	C-CARBON R	RN72K1J-331JE	1	435033314R1	NSP
R4019	C-CARBON R	RN72K1J-331JE	1	435033314R1	NSP
R4020	C-CARBON R	RN72K1J-331JE	1	435033314R1	NSP
R4023	C-CARBON R	RN72K1J-000JE	1	435030004R1	NSP
R4028	C-CARBON R	RN72K1J-101JE	1	435031014R1	NSP
R4030	C-CARBON R	RN72K1J-331JE	1	435033314R1	NSP <B CMDC, B CMPP>
R4031	C-CARBON R	RN72K1J-331JE	1	435033314R1	NSP <B CMDC, B CMPP>
R4043	C-CARBON R	RN72K1J-104JE	1	435031044R1	NSP
R4044	C-CARBON R	RN72K1J-104JE	1	435031044R1	NSP
R4049	C-CARBON R	RN72K1J-104JE	1	435031044R1	NSP
R4050	C-CARBON R	RN72K1J-104JE	1	435031044R1	NSP
R4053	C-CARBON R	RN72K1J-104JE	1	435031044R1	NSP
R4054	C-CARBON R	RN72K1J-104JE	1	435031044R1	NSP
R4055	C-CARBON R	RN72K1J-224JE	1	435032244R1	NSP
R4056	C-CARBON R	RN72K1J-224JE	1	435032244R1	NSP
R4057	C-CARBON R	RN72K1J-104JE	1	435031044R1	NSP
R4058	C-CARBON R	RN72K1J-104JE	1	435031044R1	NSP
R4059	C-CARBON R	RN72K1J-104JE	1	435031044R1	NSP
R4060	C-CARBON R	RN72K1J-104JE	1	435031044R1	NSP
R4067	C-CARBON R	RN72K1J-104JE	1	435031044R1	NSP <B CMDC, B CMPP>
R4068	C-CARBON R	RN72K1J-104JE	1	435031044R1	NSP <B CMDC, B CMPP>
R4069	C-CARBON R	RN72K1J-224JE	1	435032244R1	NSP
R4070	C-CARBON R	RN72K1J-222JE	1	435032224R1	NSP <B CMDC, B CMPP>
R4071	C-CARBON R	RN72K1J-222JE	1	435032224R1	NSP <B CMDC, B CMPP>
R4077	C-CARBON R	RN72K1J-223JE	1	435032234R1	NSP
R4078	C-CARBON R	RN72K1J-473JE	1	435034734R1	NSP
R4079	C-CARBON R	RN72K1J-473JE	1	435034734R1	NSP
R4080	C-CARBON R	RN72K1J-104JE	1	435031044R1	NSP

R4081	C-CARBON R	RN72K1J-104JE	1	435031044R1	NSP
R4082	C-CARBON R	RN72K1J-104JE	1	435031044R1	NSP
R4083	C-CARBON R	RN72K1J-000JE	1	435030004R1	NSP
R4084	C-CARBON R	RN72K1J-000JE	1	435030004R1	NSP
R4085	C-CARBON R	RN72K1J-182JE	1	435031824R1	NSP
R4086	C-CARBON R	RN72K1J-182JE	1	435031824R1	NSP
R4087	C-CARBON R	RN72K1J-103JE	1	435031034R1	NSP
R4088	C-CARBON R	RN72K1J-103JE	1	435031034R1	NSP
R4089	C-CARBON R	RN72K1J-000JE	1	435030004R1	NSP
R4090	C-CARBON R	RN72K1J-123JE	1	435031234R1	NSP
R4091	C-CARBON R	RN72K1J-223JE	1	435032234R1	NSP
R4092	C-CARBON R	RN72K1J-331JE	1	435033314R1	NSP
R4093	C-CARBON R	RN72K1J-332JE	1	435033324R1	NSP
R4094	C-CARBON R	RN72K1J-103JE	1	435031034R1	NSP
R4095	C-CARBON R	RN72K1J-103JE	1	435031034R1	NSP
R4096	C-CARBON R	RN72K1J-331JE	1	435033314R1	NSP
R4097	C-CARBON R	RN72K1J-332JE	1	435033324R1	NSP
R4098	C-CARBON R	RN72K1J-123JE	1	435031234R1	NSP
R4099	C-CARBON R	RN72K1J-223JE	1	435032234R1	NSP
R4100	C-CARBON R	RN72K1J-224JE	1	435032244R1	NSP
R4101	C-CARBON R	RN72K1J-224JE	1	435032244R1	NSP
R4102	C-CARBON R	RN72K1J-224JE	1	435032244R1	NSP
R4103	C-CARBON R	RN72K1J-224JE	1	435032244R1	NSP
R4104	C-CARBON R	RN72K1J-224JE	1	435032244R1	NSP
R4105	C-CARBON R	RN72K1J-224JE	1	435032244R1	NSP
R4106	C-CARBON R	RN72K1J-224JE	1	435032244R1	NSP
R4107	C-CARBON R	RN72K1J-224JE	1	435032244R1	NSP
R4108	C-CARBON R	RN72K1J-224JE	1	435032244R1	NSP <B CMDC, B CMPP>
R4109	C-CARBON R	RN72K1J-224JE	1	435032244R1	NSP <B CMDC, B CMPP>
R4110	C-CARBON R	RN72K1J-222JE	1	435032224R1	NSP
R4111	C-CARBON R	RN72K1J-222JE	1	435032224R1	NSP
R4112	C-CARBON R	RN72K1J-222JE	1	435032224R1	NSP
R4113	C-CARBON R	RN72K1J-222JE	1	435032224R1	NSP
R4114	C-CARBON R	RN72K1J-222JE	1	435032224R1	NSP
R4115	C-CARBON R	RN72K1J-222JE	1	435032224R1	NSP
R4116	C-CARBON R	RN72K1J-222JE	1	435032224R1	NSP
R4117	C-CARBON R	RN72K1J-271JE	1	435032714R1	NSP
R4118	C-CARBON R	RN72K1J-222JE	1	435032224R1	NSP <B CMDC, B CMPP>
R4119	C-CARBON R	RN72K1J-222JE	1	435032224R1	NSP <B CMDC, B CMPP>
R4127	C-CARBON R	RN72K1J-101JE	1	435031014R1	NSP
R4130	C-CARBON R	RN72K1J-221JE	1	435032214R1	NSP
R4131	C-CARBON R	RN72K1J-473JE	1	435034734R1	NSP
R4132	C-CARBON R	RN72K1J-153JE	1	435031534R1	NSP

R4133	C-CARBON R	RN72K1J-122JE	1	435031224R1	NSP	
R4134	C-CARBON R	RN72K1J-103JE	1	435031034R1	NSP	
R4160	METAL R	RNU1WCJ-0.22	1	453632294T		<B CMDC, B CMPP>
R4161	METAL R	RNU1WCJ-0.22	1	453632294T		<B CMDC, B CMPP>
R4166	CARBON R	R16J-22	1	417342204T		
R4167	CARBON R	R16J-22	1	417342204T		
R4170	METAL O R	RS2WBJ-4.7	1	441720474F		<B CMDC, B CMPP>
R4171	METAL O R	RS2WBJ-12	1	441721204F		<B CMDC, B CMPP>
R4174	METAL O R	RS1WBJ-68	1	443626804T		
R4175	METAL O R	RS1WBJ-68	1	443626804T		
R4176	METAL O R	RS1WBJ-47	1	443624704T		
R4177	METAL O R	RS1WBJ-47	1	443624704T		
R4180	C-CARBON R	RN72K1J-224JE	1	435032244R1	NSP	<B CMDC, B CMPP>
R4181	C-CARBON R	RN72K1J-224JE	1	435032244R1	NSP	
R4182	C-CARBON R	RN72K1J-224JE	1	435032244R1	NSP	<B CMDC, B CMPP>
R4189	C-CARBON R	RN72K1J-224JE	1	435032244R1	NSP	
R4190	C-CARBON R	RN72K1J-224JE	1	435032244R1	NSP	
R4192	C-CARBON R	RN72K1J-224JE	1	435032244R1	NSP	
R4193	C-CARBON R	RN72K1J-224JE	1	435032244R1	NSP	
R4194	C-CARBON R	RN72K1J-224JE	1	435032244R1	NSP	
R4195	C-CARBON R	RN72K1J-224JE	1	435032244R1	NSP	
R4196	C-CARBON R	RN72K1J-224JE	1	435032244R1	NSP	
R4211	C-CARBON R	RN72K1J-000JE	1	435030004R1	NSP	<B CMDC, B CMPP>
R4213	C-CARBON R	RN72K1J-000JE	1	435030004R1	NSP	<B CMDC, B CMPP>
R4235	C-CARBON R	RN72K1J-000JE	1	435030004R1	NSP	
R4305	C-CARBON R	RN72K1J-512JE	1	435035124R1	NSP	
R4306	C-CARBON R	RN72K1J-512JE	1	435035124R1	NSP	
R4307	C-CARBON R	RN72K1J-512JE	1	435035124R1	NSP	
R5000	C-CARBON R	RN72K1J-102JE	1	435031024R1	NSP	
R5001	C-CARBON R	RN72K1J-102JE	1	435031024R1	NSP	
R5002	C-CARBON R	RN72K1J-102JE	1	435031024R1	NSP	
R5003	C-CARBON R	RN72K1J-102JE	1	435031024R1	NSP	
R5004	C-CARBON R	RN72K1J-102JE	1	435031024R1	NSP	
R5005	C-CARBON R	RN72K1J-102JE	1	435031024R1	NSP	
R5006	C-CARBON R	RN72K1J-102JE	1	435031024R1	NSP	
R5010	CARBON R	R16J-120K	1	417341244T		
R5011	CARBON R	R16J-120K	1	417341244T		
R5012	CARBON R	R16J-120K	1	417341244T		
R5013	CARBON R	R16J-120K	1	417341244T		
R5014	CARBON R	R16J-120K	1	417341244T		
R5015	CARBON R	R16J-120K	1	417341244T		
R5016	CARBON R	R16J-120K	1	417341244T		
R5020	CARBON R	R16J-330	1	417343314T		

R5021	CARBON R	R16J-330	1	417343314T
R5022	CARBON R	R16J-330	1	417343314T
R5023	CARBON R	R16J-330	1	417343314T
R5024	CARBON R	R16J-330	1	417343314T
R5025	CARBON R	R16J-330	1	417343314T
R5026	CARBON R	R16J-330	1	417343314T
R5030	CARBON R	R16J-120K	1	417341244T
R5031	CARBON R	R16J-120K	1	417341244T
R5032	CARBON R	R16J-120K	1	417341244T
R5033	CARBON R	R16J-120K	1	417341244T
R5034	CARBON R	R16J-120K	1	417341244T
R5035	CARBON R	R16J-120K	1	417341244T
R5036	CARBON R	R16J-120K	1	417341244T
R5040	CARBON R	R16J-2.2K	1	417342224T
R5041	CARBON R	R16J-2.2K	1	417342224T
R5042	CARBON R	R16J-2.2K	1	417342224T
R5043	CARBON R	R16J-2.2K	1	417342224T
R5044	CARBON R	R16J-2.2K	1	417342224T
R5045	CARBON R	R16J-2.2K	1	417342224T
R5046	CARBON R	R16J-2.2K	1	417342224T
R5050	CARBON R	R16J-4.7K	1	417344724T
R5051	CARBON R	R16J-4.7K	1	417344724T
R5052	CARBON R	R16J-4.7K	1	417344724T
R5053	CARBON R	R16J-4.7K	1	417344724T
R5054	CARBON R	R16J-4.7K	1	417344724T
R5055	CARBON R	R16J-4.7K	1	417344724T
R5056	CARBON R	R16J-4.7K	1	417344724T
R5060	CARBON R	R16J-1.2K	1	417341224T
R5061	CARBON R	R16J-1.2K	1	417341224T
R5062	CARBON R	R16J-1.2K	1	417341224T
R5063	CARBON R	R16J-1.2K	1	417341224T
R5064	CARBON R	R16J-1.2K	1	417341224T
R5065	CARBON R	R16J-1.2K	1	417341224T
R5066	CARBON R	R16J-1.2K	1	417341224T
R5070	CARBON R	R16J-1K	1	417341024T
R5071	CARBON R	R16J-1K	1	417341024T
R5072	CARBON R	R16J-1K	1	417341024T
R5073	CARBON R	R16J-1K	1	417341024T
R5074	CARBON R	R16J-1K	1	417341024T
R5075	CARBON R	R16J-1K	1	417341024T
R5076	CARBON R	R16J-1K	1	417341024T
R5080	CARBON R	R16J-1K	1	417341024T
R5081	CARBON R	R16J-1K	1	417341024T

R5082	CARBON R	R16J-1K	1	417341024T	
R5083	CARBON R	R16J-1K	1	417341024T	
R5084	CARBON R	R16J-1K	1	417341024T	
R5085	CARBON R	R16J-1K	1	417341024T	
R5086	CARBON R	R16J-1K	1	417341024T	
R5090	C-CARBON R	RN72K1J-104JE	1	435031044R1	NSP
R5091	C-CARBON R	RN72K1J-104JE	1	435031044R1	NSP
R5092	C-CARBON R	RN72K1J-104JE	1	435031044R1	NSP
R5093	C-CARBON R	RN72K1J-104JE	1	435031044R1	NSP
R5094	C-CARBON R	RN72K1J-104JE	1	435031044R1	NSP
R5095	C-CARBON R	RN72K1J-104JE	1	435031044R1	NSP
R5096	C-CARBON R	RN72K1J-104JE	1	435031044R1	NSP
R5100	C-CARBON R	RN72K1J-104JE	1	435031044R1	NSP
R5101	C-CARBON R	RN72K1J-104JE	1	435031044R1	NSP
R5102	C-CARBON R	RN72K1J-104JE	1	435031044R1	NSP
R5103	C-CARBON R	RN72K1J-104JE	1	435031044R1	NSP
R5104	C-CARBON R	RN72K1J-104JE	1	435031044R1	NSP
R5105	C-CARBON R	RN72K1J-104JE	1	435031044R1	NSP
R5106	C-CARBON R	RN72K1J-104JE	1	435031044R1	NSP
R5110	CARBON R	R16J-1K	1	417341024T	
R5111	CARBON R	R16J-1K	1	417341024T	
R5112	CARBON R	R16J-1K	1	417341024T	
R5113	CARBON R	R16J-1K	1	417341024T	
R5114	CARBON R	R16J-1K	1	417341024T	
R5115	CARBON R	R16J-1K	1	417341024T	
R5116	CARBON R	R16J-1K	1	417341024T	
R5120	CARBON R	R16J-120K	1	417341244T	
R5121	CARBON R	R16J-120K	1	417341244T	
R5122	CARBON R	R16J-120K	1	417341244T	
R5123	CARBON R	R16J-120K	1	417341244T	
R5124	CARBON R	R16J-120K	1	417341244T	
R5125	CARBON R	R16J-120K	1	417341244T	
R5126	CARBON R	R16J-120K	1	417341244T	
R5130	CARBON R	R16J-22K	1	417342234T	
R5131	CARBON R	R16J-22K	1	417342234T	
R5132	CARBON R	R16J-22K	1	417342234T	
R5133	CARBON R	R16J-22K	1	417342234T	
R5134	CARBON R	R16J-22K	1	417342234T	
R5135	CARBON R	R16J-22K	1	417342234T	
R5136	CARBON R	R16J-22K	1	417342234T	
R5160	NF CARBON R	R25J-100	1	415471014T	
R5161	NF CARBON R	R25J-100	1	415471014T	
R5162	NF CARBON R	R25J-100	1	415471014T	

R5163	NF CARBON R	R25J-100	1	415471014T	
R5164	NF CARBON R	R25J-100	1	415471014T	
R5165	NF CARBON R	R25J-100	1	415471014T	
R5166	NF CARBON R	R25J-100	1	415471014T	
R5170	NF CARBON R	R25J-100	1	415471014T	
R5171	NF CARBON R	R25J-100	1	415471014T	
R5172	NF CARBON R	R25J-100	1	415471014T	
R5173	NF CARBON R	R25J-100	1	415471014T	
R5174	NF CARBON R	R25J-100	1	415471014T	
R5175	NF CARBON R	R25J-100	1	415471014T	
R5176	NF CARBON R	R25J-100	1	415471014T	
R5180	NF CARBON R	R25J-10	1	415471004T	
R5181	NF CARBON R	R25J-10	1	415471004T	
R5182	NF CARBON R	R25J-10	1	415471004T	
R5183	NF CARBON R	R25J-10	1	415471004T	
R5184	NF CARBON R	R25J-10	1	415471004T	
R5185	NF CARBON R	R25J-10	1	415471004T	
R5186	NF CARBON R	R25J-10	1	415471004T	
R5190	NF CARBON R	R25J-10	1	415471004T	
R5191	NF CARBON R	R25J-10	1	415471004T	
R5192	NF CARBON R	R25J-10	1	415471004T	
R5193	NF CARBON R	R25J-10	1	415471004T	
R5194	NF CARBON R	R25J-10	1	415471004T	
R5195	NF CARBON R	R25J-10	1	415471004T	
R5196	NF CARBON R	R25J-10	1	415471004T	
R5200	CARBON R	R16J-22K	1	417342234T	
R5201	CARBON R	R16J-22K	1	417342234T	
R5202	CARBON R	R16J-22K	1	417342234T	
R5203	CARBON R	R16J-22K	1	417342234T	
R5204	CARBON R	R16J-22K	1	417342234T	
R5205	CARBON R	R16J-22K	1	417342234T	
R5206	CARBON R	R16J-22K	1	417342234T	
R5230	CARBON R	R16J-120K	1	417341244T	
R5231	CARBON R	R16J-120K	1	417341244T	
R5232	CARBON R	R16J-120K	1	417341244T	
R5233	CARBON R	R16J-120K	1	417341244T	
R5234	CARBON R	R16J-120K	1	417341244T	
R5235	CARBON R	R16J-120K	1	417341244T	
R5236	CARBON R	R16J-120K	1	417341244T	
R5301	C-CARBON R	RN72K1J-000JE	1	435030004R1	NSP
R5302	C-CARBON R	RN72K1J-000JE	1	435030004R1	NSP
R5303	C-CARBON R	RN72K1J-000JE	1	435030004R1	NSP
R5304	C-CARBON R	RN72K1J-000JE	1	435030004R1	NSP

R5305	C-CARBON R	RN72K1J-000JE	1	435030004R1	NSP
R5306	C-CARBON R	RN72K1J-000JE	1	435030004R1	NSP
R5307	C-CARBON R	RN72K1J-000JE	1	435030004R1	NSP
R5308	C-CARBON R	RN72K1J-000JE	1	435030004R1	NSP
R5309	C-CARBON R	RN72K1J-000JE	1	435030004R1	NSP
R5310	C-CARBON R	RN72K1J-000JE	1	435030004R1	NSP
R5311	C-CARBON R	RN72K1J-000JE	1	435030004R1	NSP
R5312	C-CARBON R	RN72K1J-000JE	1	435030004R1	NSP
R5313	C-CARBON R	RN72K1J-000JE	1	435030004R1	NSP
R5314	C-CARBON R	RN72K1J-000JE	1	435030004R1	NSP
R5315	C-CARBON R	RN72K1J-000JE	1	435030004R1	NSP
R5316	C-CARBON R	RN72K1J-000JE	1	435030004R1	NSP
R5317	C-CARBON R	RN72K1J-000JE	1	435030004R1	NSP
R5318	C-CARBON R	RN72K1J-000JE	1	435030004R1	NSP
R5319	C-CARBON R	RN72K1J-000JE	1	435030004R1	NSP
R6000	C-CARBON R	RN72K1J-562JE	1	435035624R1	NSP
R6001	C-CARBON R	RN72K1J-562JE	1	435035624R1	NSP
R6002	C-CARBON R	RN72K1J-562JE	1	435035624R1	NSP
R6003	C-CARBON R	RN72K1J-562JE	1	435035624R1	NSP
R6004	C-CARBON R	RN72K1J-562JE	1	435035624R1	NSP
R6005	C-CARBON R	RN72K1J-562JE	1	435035624R1	NSP
R6006	C-CARBON R	RN72K1J-562JE	1	435035624R1	NSP
R6010	C-CARBON R	RN72K1J-392JE	1	435033924R1	NSP
R6011	C-CARBON R	RN72K1J-392JE	1	435033924R1	NSP
R6012	C-CARBON R	RN72K1J-392JE	1	435033924R1	NSP
R6013	C-CARBON R	RN72K1J-392JE	1	435033924R1	NSP
R6014	C-CARBON R	RN72K1J-392JE	1	435033924R1	NSP
R6015	C-CARBON R	RN72K1J-392JE	1	435033924R1	NSP
R6016	C-CARBON R	RN72K1J-392JE	1	435033924R1	NSP
R6020	NF CARBON R	R25J-2.2	1	415470224T	
R6021	NF CARBON R	R25J-2.2	1	415470224T	
R6022	NF CARBON R	R25J-2.2	1	415470224T	
R6023	NF CARBON R	R25J-2.2	1	415470224T	
R6024	NF CARBON R	R25J-2.2	1	415470224T	
R6025	NF CARBON R	R25J-2.2	1	415470224T	
R6026	NF CARBON R	R25J-2.2	1	415470224T	
R6030	CARBON R	R16J-470	1	417344714T	
R6031	CARBON R	R16J-470	1	417344714T	
R6032	CARBON R	R16J-470	1	417344714T	
R6033	CARBON R	R16J-470	1	417344714T	
R6034	CARBON R	R16J-470	1	417344714T	
R6035	CARBON R	R16J-470	1	417344714T	
R6036	CARBON R	R16J-470	1	417344714T	

R6040	TRIM R	N06HR2KBC	1	5210390T	
R6041	TRIM R	N06HR2KBC	1	5210390T	
R6042	TRIM R	N06HR2KBC	1	5210390T	
R6043	TRIM R	N06HR2KBC	1	5210390T	
R6044	TRIM R	N06HR2KBC	1	5210390T	
R6045	TRIM R	N06HR2KBC	1	5210390T	
R6046	TRIM R	N06HR2KBC	1	5210390T	
R6050	C-CARBON R	RN72K1J-332JE	1	435033324R1	NSP
R6051	C-CARBON R	RN72K1J-332JE	1	435033324R1	NSP
R6052	C-CARBON R	RN72K1J-332JE	1	435033324R1	NSP
R6053	C-CARBON R	RN72K1J-332JE	1	435033324R1	NSP
R6054	C-CARBON R	RN72K1J-332JE	1	435033324R1	NSP
R6055	C-CARBON R	RN72K1J-332JE	1	435033324R1	NSP
R6056	C-CARBON R	RN72K1J-332JE	1	435033324R1	NSP
R6070	NF CARBON R	R25J-100	1	415471014T	
R6071	NF CARBON R	R25J-100	1	415471014T	
R6072	NF CARBON R	R25J-100	1	415471014T	
R6073	NF CARBON R	R25J-100	1	415471014T	
R6074	NF CARBON R	R25J-100	1	415471014T	
R6075	NF CARBON R	R25J-100	1	415471014T	
R6076	NF CARBON R	R25J-100	1	415471014T	
R6080	NF CARBON R	R25J-0.22	1	415472294T	
R6081	NF CARBON R	R25J-0.22	1	415472294T	
R6082	NF CARBON R	R25J-0.22	1	415472294T	
R6083	NF CARBON R	R25J-0.22	1	415472294T	
R6084	NF CARBON R	R25J-0.22	1	415472294T	
R6085	NF CARBON R	R25J-0.22	1	415472294T	
R6086	NF CARBON R	R25J-0.22	1	415472294T	
R6090	NF CARBON R	R25J-0.22	1	415472294T	
R6091	NF CARBON R	R25J-0.22	1	415472294T	
R6092	NF CARBON R	R25J-0.22	1	415472294T	
R6093	NF CARBON R	R25J-0.22	1	415472294T	
R6094	NF CARBON R	R25J-0.22	1	415472294T	
R6095	NF CARBON R	R25J-0.22	1	415472294T	
R6096	NF CARBON R	R25J-0.22	1	415472294T	
R6100	METAL PR	MPR2W+2W 0R22	1	4000234	
R6100 or	METAL P R	RF-2EGPJR22	(1)	4000243	
R6101	METAL PR	MPR2W+2W 0R22	1	4000234	
R6101 or	METAL P R	RF-2EGPJR22	(1)	4000243	
R6102	METAL PR	MPR2W+2W 0R22	1	4000234	
R6102 or	METAL P R	RF-2EGPJR22	(1)	4000243	
R6103	METAL PR	MPR2W+2W 0R22	1	4000234	
R6103 or	METAL P R	RF-2EGPJR22	(1)	4000243	

R6104	METAL PR	MPR2W+2W 0R22	1	4000234	
R6104 or	METAL P R	RF-2EGPJR22	(1)	4000243	
R6105	METAL PR	MPR2W+2W 0R22	1	4000234	
R6105 or	METAL P R	RF-2EGPJR22	(1)	4000243	
R6106	METAL PR	MPR2W+2W 0R22	1	4000234	
R6106 or	METAL P R	RF-2EGPJR22	(1)	4000243	
R6130	METAL R	RNU1WCJ-8.2	1	453630824T	
R6131	METAL R	RNU1WCJ-8.2	1	453630824T	
R6132	METAL R	RNU1WCJ-8.2	1	453630824T	
R6133	METAL R	RNU1WCJ-8.2	1	453630824T	
R6134	METAL R	RNU1WCJ-8.2	1	453630824T	
R6135	METAL R	RNU1WCJ-8.2	1	453630824T	
R6136	METAL R	RNU1WCJ-8.2	1	453630824T	
R6140	C-CARBON R	RN72K1J-563JE	1	435035634R1	NSP
R6141	C-CARBON R	RN72K1J-563JE	1	435035634R1	NSP
R6142	C-CARBON R	RN72K1J-563JE	1	435035634R1	NSP
R6143	C-CARBON R	RN72K1J-563JE	1	435035634R1	NSP
R6144	C-CARBON R	RN72K1J-563JE	1	435035634R1	NSP
R6145	C-CARBON R	RN72K1J-563JE	1	435035634R1	NSP
R6146	C-CARBON R	RN72K1J-563JE	1	435035634R1	NSP
R6150	C-CARBON R	RN72K1J-103JE	1	435031034R1	NSP
R6151	C-CARBON R	RN72K1J-103JE	1	435031034R1	NSP
R6152	C-CARBON R	RN72K1J-103JE	1	435031034R1	NSP
R6153	C-CARBON R	RN72K1J-103JE	1	435031034R1	NSP
R6154	C-CARBON R	RN72K1J-103JE	1	435031034R1	NSP
R6155	C-CARBON R	RN72K1J-103JE	1	435031034R1	NSP
R6156	C-CARBON R	RN72K1J-103JE	1	435031034R1	NSP
R6160	C-CARBON R	RN72K1J-333JE	1	435033334R1	NSP
R6161	C-CARBON R	RN72K1J-333JE	1	435033334R1	NSP
R6162	C-CARBON R	RN72K1J-333JE	1	435033334R1	NSP
R6163	C-CARBON R	RN72K1J-333JE	1	435033334R1	NSP
R6164	C-CARBON R	RN72K1J-333JE	1	435033334R1	NSP
R6165	C-CARBON R	RN72K1J-333JE	1	435033334R1	NSP
R6166	C-CARBON R	RN72K1J-333JE	1	435033334R1	NSP
R6170	C-CARBON R	RN72K1J-473JE	1	435034734R1	NSP
R6171	C-CARBON R	RN72K1J-473JE	1	435034734R1	NSP
R6172	C-CARBON R	RN72K1J-473JE	1	435034734R1	NSP
R6173	C-CARBON R	RN72K1J-473JE	1	435034734R1	NSP
R6174	C-CARBON R	RN72K1J-473JE	1	435034734R1	NSP
R6175	C-CARBON R	RN72K1J-473JE	1	435034734R1	NSP
R6176	C-CARBON R	RN72K1J-473JE	1	435034734R1	NSP
R6180	C-CARBON R	RN72K1J-473JE	1	435034734R1	NSP
R6181	C-CARBON R	RN72K1J-473JE	1	435034734R1	NSP

R6182	C-CARBON R	RN72K1J-473JE	1	435034734R1	NSP	
R6183	C-CARBON R	RN72K1J-473JE	1	435034734R1	NSP	
R6184	C-CARBON R	RN72K1J-473JE	1	435034734R1	NSP	
R6185	C-CARBON R	RN72K1J-473JE	1	435034734R1	NSP	
R6186	C-CARBON R	RN72K1J-473JE	1	435034734R1	NSP	
R6197	METAL R	RNU1WCJ-8.2	1	453630824T		<B CMDC, B CMPP>
R6701	CARBON R	R16J-22K	1	417342234T		
R6702	C-CARBON R	RN72K1J-103JE	1	435031034R1	NSP	
R6704	C-CARBON R	RN72K1J-473JE	1	435034734R1	NSP	
R6706	C-CARBON R	RN72K1J-224JE	1	435032244R1	NSP	
R6708	C-CARBON R	RN72K1J-333JE	1	435033334R1	NSP	
R6709	C-CARBON R	RN72K1J-562JE	1	435035624R1	NSP	
R6710	C-CARBON R	RN72K1J-562JE	1	435035624R1	NSP	
R6712	C-CARBON R	RN72K1J-103JE	1	435031034R1	NSP	
R6714	C-CARBON R	RN72K1J-473JE	1	435034734R1	NSP	
R6716	C-CARBON R	RN72K1J-224JE	1	435032244R1	NSP	
R6902	C-CARBON R	RN72K1J-102JE	1	435031024R1	NSP	
R6903	C-CARBON R	RN72K1J-473JE	1	435034734R1	NSP	
R6912	C-CARBON R	RN72K1J-000JE	1	435030004R1	NSP	
R950	METAL O R	RS1WBJ-10	1	443621004T		
R960	METAL R	RNU1/2WCJ-8.2	1	453530824T		
R961	METAL R	RNU1/2WCJ-3.3	1	453530334T		
R962	C-CARBON R	RN72K1J-822JE	1	435038224R1	NSP	
R963	C-CARBON R	RN72K1J-822JE	1	435038224R1	NSP	
R964	C-CARBON R	RN72K1J-333JE	1	435033334R1	NSP	
[SW TRM]						
F6901C	FUSE HOL	NSCT-1P2031	1	25052133T		
F6901D	FUSE HOL	NSCT-1P2031	1	25052133T		
F6902C	FUSE HOL	NSCT-1P2031	1	25052133T		
F6902D	FUSE HOL	NSCT-1P2031	1	25052133T		
JL501A	WIRE HOL	NSCT-3P874	1	25051087		
JL502A	WIRE HOL	NSCT-5P876	1	25051089		
JL503A	WIRE HOL	NSCT-3P874	1	25051087		<B CMDC, B CMPP>
JL600A	WIRE HOL	NSCT-7P898	1	25051111		
JL603A	WIRE HOL	NSCT-9P900	1	25051113		
JL604A	WIRE HOL	NSCT-5P896	1	25051109		
JL951A	WIRE HOL	NSCT-5P896	1	25051109		
JL951B	SOCKET	NSCT-5P97	1	25050269		
JL952A	WIRE HOL	NSCT-3P894	1	25051107		
JL953B	WIRE TRAP	NPLG-5P588	1	25055626		
JL954A	WIRE HOL	NSCT-5P896	1	25051109		
JL954B	WIRE HOL	NSCT-5P896	1	25051109		
P4000	ST JACK	MSJ-035-22	1	25045887		

P4000 or	JACK	YKB21-5130	(1)	25045387	
P4002	PIN JACK	NPJ-2PDWR595	1	25045815	<B CMDC, B CMPP>
P4003	PIN JACK	NPJ-2PDWR558	1	25045776	
P4003 or	PIN JACK	NPJ-2PDBL185	(1)	25045333	
P4004	PIN JACK	NPJ-4PDWWRR624	1	25045845	
P4004 or	PIN JACK	NPJ-4PDBL162	(1)	25045303	
P4005	PIN JACK	NPJ-4PDWWRR624	1	25045845	
P4005 or	PIN JACK	NPJ-4PDBL162	(1)	25045303	
P4007	PIN JACK	NPJ-2PDWR558	1	25045776	<B CMDC, B CMPP>
P4007 or	PIN JACK	NPJ-2PDBL185	(1)	25045333	<B CMDC, B CMPP>
P4010	PIN JACK	NPJ-1PDP555	1	25045773	
P5501B	PLUG	NPLG-7P0962	1	25056012	
P5502B	PLUG	NPLG-15P0970	1	25056020	
P5503B	PLUG	NPLG-9P0964	1	25056014	
P5504B	PLUG	NPLG-3P0958	1	25056008	<B CMDC, B CMPP>
P6080	PLUG	NPLG-2P29	1	25055038	
P6081	PLUG	NPLG-2P29	1	25055038	
P6082	PLUG	NPLG-2P29	1	25055038	
P6083	PLUG	NPLG-2P29	1	25055038	
P6084	PLUG	NPLG-2P29	1	25055038	
P6085	PLUG	NPLG-2P29	1	25055038	
P6086	PLUG	NPLG-2P29	1	25055038	
P6102	HOLDER	(CRAMP) UA-0 V0	1	27190608-1	
P6604	WS CLAMP	CB-71683(L=50)	1	260261	
P6606	TRM	NTM-4PDML422	1	25060494	
P6900	CRIMP AS	CRIMP AS	1	20799165UL	
P6901	CRIMP AS	CRIMP AS	1	2069925202UL	
P6902	CRIMP AS	CRIMP AS	1	2069925189UL	
P6903	CRIMP AS	JL1015#18SIN-SVH 200 YEL	1	20799172UL	
P6904	CRIMP AS	CRIMP AS	1	20799164UL	
P6911A	RETAINER	(BUS)	1	27142022	
P6991	TRM-423(SCREW)	NEJITANSI ST3	1	25060495	
RL6901	RELAY	NRL-1P10A-DC12-196	1	25065707	N
RL6901 or	RELAY	NRL-1P10A-DC12-197	(1)	25065708	N
RL6901 or	RELAY	NRL-1P10A-DC12-198	(1)	25065709	
RL6902	RELAY	NRL-1P10A-DC12-196	1	25065707	N
RL6902 or	RELAY	NRL-1P10A-DC12-197	(1)	25065708	N
RL6902 or	RELAY	NRL-1P10A-DC12-198	(1)	25065709	

HT-R980

PC BOARD PARTS LIST

U003	DG-AS(MPU/DIR/DAC Asy) U0030+U0031	BADG-0364-1T *	1	1B247564-1T	N <B CMDC>
-------------	---------------------------------------	----------------	---	-------------	------------

U003	DG-AS(MPU/DIR/DAC Asy) U0030+U0032	BADG-0364-1U *	1	1B247564-1U	N	<B CMPP>
U0030	DG-AS(MPU/DIR/DAC Asy)	BADG-0364-1T	1	1B2475364-1T	N	<B CMDC>
U0030	DG-AS(MPU/DIR/DAC Asy)	BADG-0364-1U	1	1B2475364-1U	N	<B CMPP>
U0031	PWB(U Port Jack)	BAETC-0365-1T	1	1B2475365-1T	N	<B CMDC>
U0031	PWB(U Port Jack)	BAETC-0365-1U	1	1B2475365-1U	N	<B CMPP>

CIRCUIT	PART NAME	DESCRIPTION	Q'TY	PART NO. (SN)		REMARKS
[SEMI CONDUCTOR]						
D110	C-DIODE	KDS4148U	1	223283R2	NSP	
D110 or	C-DIODE	1SS352	(1)	223234R2	NSP	
D110 or	C-DIODE	MA2J111	(1)	223279R2	NSP	
D111	C-DIODE	KDS4148U	1	223283R2	NSP	
D111 or	C-DIODE	1SS352	(1)	223234R2	NSP	
D111 or	C-DIODE	MA2J111	(1)	223279R2	NSP	
D112	ZENER D	UDZS10B	1	224551000R2		<B CMDC, B CMPP>
D131	C-DIODE	KDS4148U	1	223283R2	NSP	
D131 or	C-DIODE	1SS352	(1)	223234R2	NSP	
D131 or	C-DIODE	MA2J111	(1)	223279R2	NSP	
D132	C-DIODE	KDS4148U	1	223283R2	NSP	
D132 or	C-DIODE	1SS352	(1)	223234R2	NSP	
D132 or	C-DIODE	MA2J111	(1)	223279R2	NSP	
D182	DIODE	RL1N4003	1	22380260T		
D183	DIODE	RL1N4003	1	22380260T		
D601	C-DIODE	KDS4148U	1	223283R2	NSP	
D601 or	C-DIODE	1SS352	(1)	223234R2	NSP	
D601 or	C-DIODE	MA2J111	(1)	223279R2	NSP	
D701	C-DIODE	KDS4148U	1	223283R2	NSP	
D701 or	C-DIODE	1SS352	(1)	223234R2	NSP	
D701 or	C-DIODE	MA2J111	(1)	223279R2	NSP	
D702	C-DIODE	KDS4148U	1	223283R2	NSP	
D702 or	C-DIODE	1SS352	(1)	223234R2	NSP	
D702 or	C-DIODE	MA2J111	(1)	223279R2	NSP	
Q101	IC	LC72725KV-TLM-E	1	22242584R2		<B CMPP>
Q111	TR	2SC2235-Y(TPE6_F)	1	2211654T		<B CMDC, B CMPP>
Q131	IC	TC74HCU04AF	1	222740046R2TO		
Q131 or	IC	74HCU04F	(1)	222740046R2		
Q153	IC	R1EX25064ASA00A	1	22242581R2		
Q153 or	IC	M95640-WMN6TP	(1)	22242643R2	N	
Q181	TR	KRC105S	1	2217290R2		
Q181 or	TR	RN1405	(1)	2214500R2		
Q2804	IC	NJM4580M-D	1	22241448R2		
Q301	IC	PCM9210PTR	1	22242629R2	N	
Q302	IC	PCM1690DCAR	1	22242599R2		
Q401	IC	NJM4580M-D	1	22241448R2		

Q402	IC	NJM4580M-D	1	22241448R2	
Q403	IC	NJM4580M-D	1	22241448R2	
Q404	IC	NJM4580M-D	1	22241448R2	<B CMDC, B CMPP>
Q405	IC	NJM4580M-D	1	22241448R2	<B CMDC, B CMPP>
Q601	TR	KRC104S	1	2216210R2	
Q601 or	TR	RN1404	(1)	2214490R2	
Q701	IC (MMPU)	MPD70F3746(03530)IC(FLASH	1	222W0079R303530	
Q702	IC	S-812C33AUA-C2N	1	22242222R2	
Q703	IC	S-812C56AUA-C3K	1	22242207R2	
Q704	IC	SN74CB3Q3305PWR	1	22242258R2	
Q746	IC	XC6221B332MR	1	22242633R2	
Q751	TR	KRC104S	1	2216210R2	
Q751 or	TR	RN1404	(1)	2214490R2	
Q752	TR	KRA102S	1	2216220R2	
Q752 or	TR	RN2402	(1)	2214530R2	
Q753	TR	KRA107S	1	2216350R2	
Q753 or	TR	RN2407(TE85L_F)	(1)	2216360R2	
Q754	TR	KRC102S	1	2216190R2	
Q754 or	TR	RN1402	(1)	2214470R2	
Q755	TR	KRA107S	1	2216350R2	
Q755 or	TR	RN2407(TE85L_F)	(1)	2216360R2	
Q756	TR	KRC102S	1	2216190R2	
Q756 or	TR	RN1402	(1)	2214470R2	
Q757	TR	KRC107S	1	2216340R2	
Q757 or	TR	RN1407	(1)	2216260R2	
Q761	TR	KRC104S	1	2216210R2	<B CMDC, B CMPP>
Q761 or	TR	RN1404	(1)	2214490R2	<B CMDC, B CMPP>
Q762	TR	KRA102S	1	2216220R2	<B CMDC, B CMPP>
Q762 or	TR	RN2402	(1)	2214530R2	<B CMDC, B CMPP>
Q771	TR	KRC104S	1	2216210R2	<B CMDC, B CMPP>
Q771 or	TR	RN1404	(1)	2214490R2	<B CMDC, B CMPP>
Q772	TR	KRA102S	1	2216220R2	<B CMDC, B CMPP>
Q772 or	TR	RN2402	(1)	2214530R2	<B CMDC, B CMPP>
[TRANS COIL]					
L101	CORE	BLM18PG181SN1D	1	2350005R1	<B CMPP>
L131	CHOKE COIL	LBC2518T2R2M	1	231364M022R2	
L132	CHOKE COIL	LBC2518T2R2M	1	231364M022R2	<B CMDC, B CMPP>
L133	CHOKE COIL	LBC2518T470M	1	231364M470R2	
L134	CHOKE COIL	LBC2518T470M	1	231364M470R2	
L135	C-CARBON R	RN72K1J-000JE	1	435030004R1	
L136	C-CARBON R	RN72K1J-000JE	1	435030004R1	<B CMDC, B CMPP>
L153	CORE	BLM18PG181SN1D	1	2350005R1	
L2800	CORE	BLM18PG181SN1D	1	2350005R1	

L2801	CORE	BLM18PG181SN1D	1	2350005R1	
L2802	CORE	BLM18PG181SN1D	1	2350005R1	
L2803	EMIFIL	BK1608LM182-T	1	230958R1	
L2804	EMIFIL	BK1608LM182-T	1	230958R1	
L2805	EMIFIL	BK1608LM182-T	1	230958R1	
L2806	EMIFIL	BK1608LM182-T	1	230958R1	
L2807	EMIFIL	BK1608LM182-T	1	230958R1	
L2808	EMIFIL	BK1608LM182-T	1	230958R1	
L2809	EMIFIL	BK1608LM182-T	1	230958R1	
L2810	EMIFIL	BK1608LM182-T	1	230958R1	
L2811	EMIFIL	BK1608LM182-T	1	230958R1	
L2812	EMIFIL	BK1608LM182-T	1	230958R1	
L2813	EMIFIL	BK1608LM182-T	1	230958R1	
L2814	EMIFIL	BK1608LM182-T	1	230958R1	
L2815	EMIFIL	BK1608LM182-T	1	230958R1	
L2816	EMIFIL	BK1608LM182-T	1	230958R1	
L2817	EMIFIL	BK1608LM182-T	1	230958R1	
L2818	EMIFIL	BK1608LM182-T	1	230958R1	
L301	EMIFIL	BK1608LM182-T	1	230958R1	
L302	EMIFIL	BK1608LM182-T	1	230958R1	
L303	CHOKE COIL	LBC2518T4R7M	1	231364M047R2	
L304	CHOKE COIL	LBC2518T4R7M	1	231364M047R2	
L305	CHOKE COIL	LBC2518T4R7M	1	231364M047R2	
L307	C-CARBON R	RN72K1J-000JE	1	435030004R1	
L401	CHOKE COIL	LBC2518T4R7M	1	231364M047R2	
L402	CHOKE COIL	LBC2518T4R7M	1	231364M047R2	
L500	CORE	BLM18PG181SN1D	1	2350005R1	
L742	CHOKE COIL	BLM21PG221SN1	1	230949R2	
L743	CORE	BLM18PG181SN1D	1	2350005R1	
L744	CORE	BLM18PG181SN1D	1	2350005R1	
L746	CORE	BLM18PG181SN1D	1	2350005R1	
L747	CORE	BLM18PG181SN1D	1	2350005R1	
X101	CRYSTAL	HC-49S 4.332MHz	1	3010469T	<B CMPP>
X171	CRYSTAL	HC-49US24.576MHz	1	3010490T	N
X501	CERA LOCK	CSTCR5M00G53-B0	1	3010356R2	
[CAPACITOR]					
C102	C-CERA C	CK725F1E-104Z1	1	332161040R1	NSP <B CMDC, B CMPP>
C103	UTSP C	CE04W50V-10M(UTSP)	1	397581007T	<B CMPP>
C104	UTSP C	CE04W50V-10M(UTSP)	1	397581007T	<B CMPP>
C105	C-CERA C	CK725F1E-104Z1	1	332161040R1	NSP <B CMPP>
C106	C-CERA C	CC725CH1H-331J1	1	342103314R1	NSP <B CMPP>
C107	C-CERA C	CK725F1E-104Z1	1	332161040R1	NSP <B CMPP>
C108	C-CERA C	CC725CH1H-150J1	1	342101504R1	NSP <B CMPP>

C109	C-CERA C	CC725CH1H-150J1	1	342101504R1	NSP	<B CMPP>
C110	C-CERA C	CC725CH1H-331J1	1	342103314R1	NSP	<B CMPP>
C111	UTSP C	CE04W25V-47M(UTSP)	1	397554707T		<B CMDC, B CMPP>
C112	C-CERA C	CK725F1E-104Z1	1	332161040R1	NSP	<B CMDC, B CMPP>
C113	C-CERA C	CC725CH1H-221J1	1	342102214R1	NSP	<B CMPP>
C114	UTSP C	CE04W25V-47M(UTSP)	1	397554707T		<B CMDC, B CMPP>
C130	C-CERA C	CK725F1E-104Z1	1	332161040R1	NSP	
C131	C-CERA C	CC725CH1H-101J1	1	342101014R1	NSP	
C132	C-CERA C	CC725CH1H-101J1	1	342101014R1	NSP	<B CMDC, B CMPP>
C133	C-CERA C	CK725B1C-104K1	1	332121045R1	NSP	
C134	C-CERA C	CK725B1C-104K1	1	332121045R1	NSP	<B CMDC, B CMPP>
C135	C-CERA C	CC725CH1H-080D1	1	342100802R1	NSP	
C136	C-CERA C	CC725CH1H-080D1	1	342100802R1	NSP	<B CMDC, B CMPP>
C139	UTSP C	CE04W10V-220M(UTSP)	1	397532217T		
C140	C-CERA C	CK725F1E-104Z1	1	332161040R1	NSP	
C141	C-CERA C	CK725F1E-104Z1	1	332161040R1	NSP	
C142	C-CERA C	CK725F1E-104Z1	1	332161040R1	NSP	
C143	C-CERA C	CC725CH1H-330J1	1	342103304R1	NSP	
C144	C-CERA C	CC725CH1H-330J1	1	342103304R1	NSP	
C145	UTSP C	CE04W10V-220M(UTSP)	1	397532217T		
C151	C-CERA C	CK725F1E-104Z1	1	332161040R1	NSP	
C172	C-CERA C	CC725CH1H-180J1	1	342101804R1	NSP	
C173	C-CERA C	CC725CH1H-180J1	1	342101804R1	NSP	
C2850	C-CERA C	CC725CH1H-471J1	1	342104714R1	NSP	
C2851	C-CERA C	CC725CH1H-471J1	1	342104714R1	NSP	
C2852	C-CERA C	CC725CH1H-470J1	1	342104704R1	NSP	
C2855	C-CERA C	CK725F1E-104Z1	1	332161040R1	NSP	
C2870	C-CERA C	CC725CH1H-101J1	1	342101014R1	NSP	
C2871	C-CERA C	CC725CH1H-101J1	1	342101014R1	NSP	
C2877	UTSP C	CE04W50V-10M(UTSP)	1	397581007T		
C2878	UTSP C	CE04W50V-10M(UTSP)	1	397581007T		
C2880	C-CERA C	CC725CH1H-101J1	1	342101014R1	NSP	
C2881	C-CERA C	CC725CH1H-101J1	1	342101014R1	NSP	
C2882	C-CERA C	CC725CH1H-101J1	1	342101014R1	NSP	
C2883	C-CERA C	CC725CH1H-101J1	1	342101014R1	NSP	
C2884	C-CERA C	CK725B1A-105K1	1	332131055R1	NSP	
C2885	C-CERA C	CK725B1A-105K1	1	332131055R1	NSP	
C2886	C-CERA C	CC725CH1H-471J1	1	342104714R1	NSP	
C2887	C-CERA C	CC725CH1H-471J1	1	342104714R1	NSP	
C2888	C-CERA C	CK725F1E-104Z1	1	332161040R1	NSP	
C2889	C-CERA C	CK725F1E-104Z1	1	332161040R1	NSP	
C2891	C-CERA C	CK725B1A-105K1	1	332131055R1	NSP	
C2892	C-CERA C	CK725B1A-105K1	1	332131055R1	NSP	

C2893	C-CERA C	CC725CH1H-471J1	1	342104714R1	NSP	
C2894	C-CERA C	CC725CH1H-471J1	1	342104714R1	NSP	
C2895	C-CERA C	CC725CH1H-471J1	1	342104714R1	NSP	
C2896	C-CERA C	CC725CH1H-471J1	1	342104714R1	NSP	
C2897	C-CERA C	CK725B1A-105K1	1	332131055R1	NSP	
C2898	C-CERA C	CK725B1A-105K1	1	332131055R1	NSP	
C305	C-CERA C	CK725F1E-104Z1	1	332161040R1	NSP	
C306	UTSP C	CE04W10V-470M(UTSP)	1	397534717T		
C307	C-CERA C	CK725F1E-104Z1	1	332161040R1	NSP	
C312	C-CERA C	CC725CH1H-221J1	1	342102214R1	NSP	
C313	C-CERA C	CK725F1E-104Z1	1	332161040R1	NSP	
C314	UTSP C	CE04W10V-470M(UTSP)	1	397534717T		
C315	C-CERA C	CK725B1H-472K1	1	332104725R1	NSP	
C316	C-CERA C	CK725B1H-473K1	1	332104735R1	NSP	
C317	C-CERA C	CK725F1E-104Z1	1	332161040R1	NSP	
C318	UTSP C	CE04W10V-470M(UTSP)	1	397534717T		
C319	UTSJ C	CE04W25V-47M(UTSJ)	1	398054707AT		<B CMDC, B CMPP>
C320	C-CERA C	CK725B1H-223K1	1	332102235R1	NSP	
C351	UTSP C	CE04W10V-470M(UTSP)	1	397534717T		
C352	C-CERA C	CK725F1E-104Z1	1	332161040R1	NSP	
C353	UTSP C	CE04W10V-470M(UTSP)	1	397534717T		
C354	C-CERA C	CK725F1E-104Z1	1	332161040R1	NSP	
C355	C-CERA C	CK725F1E-104Z1	1	332161040R1	NSP	
C356	UTSJ C	CE04W25V-47M(UTSJ)	1	398054707AT		<B CMDC, B CMPP>
C357	C-CERA C	CK725F1E-104Z1	1	332161040R1	NSP	
C400	UPZ C	2AUPZTF471JE	1	376334714T		<B CMDC, B CMPP>
C401	UPZ C	2AUPZTF471JE	1	376334714T		<B CMDC, B CMPP>
C402	UPZ C	2AUPZTF471JE	1	376334714T		
C403	UPZ C	2AUPZTF471JE	1	376334714T		
C404	UPZ C	2AUPZTF471JE	1	376334714T		
C405	UPZ C	2AUPZTF471JE	1	376334714T		<B CMDC, B CMPP>
C406	UPZ C	2AUPZTF471JE	1	376334714T		<B CMDC, B CMPP>
C407	UPZ C	2AUPZTF471JE	1	376334714T		
C410	UPZ C	2AUPZTF101JE	1	376331014T		<B CMDC, B CMPP>
C411	UPZ C	2AUPZTF101JE	1	376331014T		<B CMDC, B CMPP>
C412	UPZ C	2AUPZTF101JE	1	376331014T		
C413	C-CERA C	CC725CH1H-101J1	1	342101014R1	NSP	
C414	C-CERA C	CC725CH1H-101J1	1	342101014R1	NSP	
C415	C-CERA C	CC725CH1H-101J1	1	342101014R1	NSP	<B CMDC, B CMPP>
C416	C-CERA C	CC725CH1H-101J1	1	342101014R1	NSP	<B CMDC, B CMPP>
C417	UPZ C	2AUPZTF101JE	1	376331014T		
C420	UPZ C	2AUPZTF101JE	1	376331014T		<B CMDC, B CMPP>
C421	UPZ C	2AUPZTF101JE	1	376331014T		<B CMDC, B CMPP>

C422	UPZ C	2AUPZTF101JE	1	376331014T		
C423	C-CERA C	CC725CH1H-101J1	1	342101014R1	NSP	
C424	C-CERA C	CC725CH1H-101J1	1	342101014R1	NSP	
C425	C-CERA C	CC725CH1H-101J1	1	342101014R1	NSP	<B CMDC, B CMPP>
C426	C-CERA C	CC725CH1H-101J1	1	342101014R1	NSP	<B CMDC, B CMPP>
C427	UPZ C	2AUPZTF101JE	1	376331014T		
C470	UTSP C	CE04W50V-10M(UTSP)	1	397581007T		<B CMDC, B CMPP>
C471	UTSP C	CE04W50V-10M(UTSP)	1	397581007T		<B CMDC, B CMPP>
C472	C-CERA C	CK725B1A-105K1	1	332131055R1	NSP	<B CMDC, B CMPP>
C473	C-CERA C	CK725B1A-105K1	1	332131055R1	NSP	<B CMDC, B CMPP>
C498	UTSP C	CE04W25V-100M(UTSP)	1	397551017T		
C499	UTSP C	CE04W25V-100M(UTSP)	1	397551017T		
C501	UTSP C	CE04W50V-4.7M(UTSP)	1	397580477T		
C502	C-CERA C	CK725F1E-104Z1	1	332161040R1	NSP	
C503	C-CERA C	CK725F1E-104Z1	1	332161040R1	NSP	
C504	C-CERA C	CK725F1E-104Z1	1	332161040R1	NSP	
C505	C-CERA C	CK725F1E-104Z1	1	332161040R1	NSP	
C507	C-CERA C	CK725F1E-104Z1	1	332161040R1	NSP	
C508	C-CERA C	CK725F1E-104Z1	1	332161040R1	NSP	
C509	C-CERA C	CK725B0J-106K	1	332091065R2	NSP	
C511	C-CERA C	CK725B1H-102K1	1	332101025R1	NSP	
C512	C-CERA C	CK725B1H-102K1	1	332101025R1	NSP	
C513	C-CERA C	CC725CH1H-101J1	1	342101014R1	NSP	
C514	C-CERA C	CC725CH1H-101J1	1	342101014R1	NSP	
C515	C-CERA C	CC725CH1H-101J1	1	342101014R1	NSP	<B CMDC, B CMPP>
C516	C-CERA C	CC725CH1H-101J1	1	342101014R1	NSP	<B CMDC, B CMPP>
C517	C-CERA C	CK725F1E-104Z1	1	332161040R1	NSP	<B CMDC, B CMPP>
C518	C-CERA C	CK725B1H-102K1	1	332101025R1	NSP	
C519	C-CERA C	CK725B1H-102K1	1	332101025R1	NSP	
C520	C-CERA C	CK725B1H-102K1	1	332101025R1	NSP	
C522	C-CERA C	CK725F1E-104Z1	1	332161040R1	NSP	
C523	C-CERA C	CK725B1H-102K1	1	332101025R1	NSP	
C524	C-CERA C	CK725B1H-102K1	1	332101025R1	NSP	
C525	C-CERA C	CK725F1E-104Z1	1	332161040R1	NSP	
C526	C-CERA C	CK725B1H-102K1	1	332101025R1	NSP	
C527	C-CERA C	CK725B1H-102K1	1	332101025R1	NSP	
C528	C-CERA C	CK725F1E-104Z1	1	332161040R1	NSP	
C551	C-CERA C	CK725F1E-104Z1	1	332161040R1	NSP	
C552	C-CERA C	CK725F1E-104Z1	1	332161040R1	NSP	
C613	C-CERA C	CK732B1C-474K	1	337394745R1	NSP	
C629	C-CERA C	CK725F1E-104Z1	1	332161040R1	NSP	
C701	C-CERA C	CK725F1E-104Z1	1	332161040R1	NSP	
C705	C-CERA C	CK725B0J-106K	1	332091065R2	NSP	

C706	UTSP C	CE04W16V-470M(UTSP)	1	397544717T	
C707	UTSP C	CE04W10V-100M(UTSP)	1	397531017T	
C708	UTSP C	CE04W10V-470M(UTSP)	1	397534717T	
C709	C-CERA C	CK725F1E-104Z1	1	332161040R1	NSP
C710	C-CERA C	CK725F1E-104Z1	1	332161040R1	NSP
C744	C-CERA C	CK725F1E-104Z1	1	332161040R1	NSP
C745	C-CERA C	CK725B0J-106K	1	332091065R2	NSP
C748	UTSP C	CE04W10V-100M(UTSP)	1	397531017T	
C751	UTSP C	CE04W50V-0.47M(UTSP)	1	397584797T	
C753	UTSP C	CE04W10V-470M(UTSP)	1	397534717T	
C761	UTSP C	CE04W50V-0.47M(UTSP)	1	397584797T	<B CMDC, B CMPP>
C762	C-CERA C	CK732B1C-474K	1	337394745R1	NSP <B CMDC, B CMPP>
C771	UTSP C	CE04W50V-0.47M(UTSP)	1	397584797T	<B CMDC, B CMPP>
C772	C-CERA C	CK732B1C-474K	1	337394745R1	<B CMDC, B CMPP>
C800	C-CERA C	CK725F1E-104Z1	1	332161040R1	NSP
C801	C-CERA C	CK725B1H-103K1	1	332101035R1	NSP
C802	C-CERA C	CK725F1E-104Z1	1	332161040R1	NSP
[RESISTOR]					
R107	C-CARBON R	RN72K1J-101JE	1	435031014R1	NSP <B CMPP>
R108	C-CARBON R	RN72K1J-101JE	1	435031014R1	NSP <B CMPP>
R110	C-CARBON R	RN72K1J-103JE	1	435031034R1	NSP
R112	METAL O R	RS1/2WBJ-10	1	443521004T	<B CMDC, B CMPP>
R113	C-CARBON R	RN72K1J-221JE	1	435032214R1	NSP <B CMDC, B CMPP>
R114	C-CARBON R	RN72K1J-221JE	1	435032214R1	NSP <B CMDC, B CMPP>
R115	C-CARBON R	RN72K1J-333JE	1	435033334R1	NSP <B CMDC, B CMPP>
R131	C-CARBON R	RN72K1J-750JE	1	435037504R1	NSP
R132	C-CARBON R	RN72K1J-750JE	1	435037504R1	NSP <B CMDC, B CMPP>
R133	C-CARBON R	RN72K1J-100JE	1	435031004R1	NSP
R134	C-CARBON R	RN72K1J-100JE	1	435031004R1	NSP <B CMDC, B CMPP>
R137	C-CARBON R	RN72K1J-103JE	1	435031034R1	NSP
R138	C-CARBON R	RN72K1J-103JE	1	435031034R1	NSP <B CMDC, B CMPP>
R139	C-CARBON R	RN72K1J-823JE	1	435038234R1	NSP
R140	C-CARBON R	RN72K1J-823JE	1	435038234R1	NSP <B CMDC, B CMPP>
R141	C-CARBON R	RN72K1J-470JE	1	435034704R1	NSP
R142	C-CARBON R	RN72K1J-470JE	1	435034704R1	NSP
R151	C-CARBON R	RN72K1J-103JE	1	435031034R1	NSP
R152	C-CARBON R	RN72K1J-103JE	1	435031034R1	NSP
R153	C-CARBON R	RN72K1J-222JE	1	435032224R1	NSP
R154	C-CARBON R	RN72K1J-103JE	1	435031034R1	NSP
R181	METAL R	RNU1/2WCJ-4.7	1	453530474T	
R182	METAL R	RNU1/2WCJ-1	1	453530104T	
R2800	THERMISTOR	FUSB090F	1	4000252T	
R2804	C-CARBON R	RN72K1J-123JE	1	435031234R1	NSP

R2805	C-CARBON R	RN72K1J-123JE	1	435031234R1	NSP
R2806	C-CARBON R	RN72K1J-223JE	1	435032234R1	NSP
R2807	C-CARBON R	RN72K1J-223JE	1	435032234R1	NSP
R2808	C-CARBON R	RN72K1J-123JE	1	435031234R1	NSP
R2809	C-CARBON R	RN72K1J-123JE	1	435031234R1	NSP
R2810	C-CARBON R	RN72K1J-223JE	1	435032234R1	NSP
R2811	C-CARBON R	RN72K1J-223JE	1	435032234R1	NSP
R2820	C-CARBON R	RN72K1J-471JE	1	435034714R1	NSP
R2821	C-CARBON R	RN72K1J-471JE	1	435034714R1	NSP
R2830	C-CARBON R	RN72K1J-105JE	1	435031054R1	NSP
R2848	C-CARBON R	RN72K1J-000JE	1	435030004R1	NSP
R2849	C-CARBON R	RN72K1J-000JE	1	435030004R1	NSP
R2852	C-CARBON R	RN72K1J-750JE	1	435037504R1	NSP
R2861	C-CARBON R	RN72K1J-103JE	1	435031034R1	NSP
R2862	C-CARBON R	RN72K1J-103JE	1	435031034R1	NSP
R2863	C-CARBON R	RN72K1J-103JE	1	435031034R1	NSP
R2864	C-CARBON R	RN72K1J-103JE	1	435031034R1	NSP
R301	C-CARBON R	RN72K1J-470JE	1	435034704R1	NSP
R302	C-CARBON R	RN72K1J-000JE	1	435030004R1	NSP
R304	C-CARBON R	RN72K1J-221JE	1	435032214R1	NSP
R305	C-CARBON R	RN72K1J-221JE	1	435032214R1	NSP
R306	C-CARBON R	RN72K1J-330JE	1	435033304R1	NSP
R307	C-CARBON R	RN72K1J-331JE	1	435033314R1	NSP
R308	C-CARBON R	RN72K1J-331JE	1	435033314R1	NSP
R312	C-CARBON R	RN72K1J-470JE	1	435034704R1	NSP
R313	C-CARBON R	RN72K1J-470JE	1	435034704R1	NSP
R314	C-CARBON R	RN72K1J-151JE	1	435031514R1	NSP
R315	C-CARBON R	RN72K1J-151JE	1	435031514R1	NSP
R316	C-CARBON R	RN72K1J-470JE	1	435034704R1	NSP
R317	C-CARBON R	RN72K1J-331JE	1	435033314R1	NSP
R321	C-CARBON R	RN72K1J-331JE	1	435033314R1	NSP
R322	C-CARBON R	RN72K1J-331JE	1	435033314R1	NSP
R323	C-CARBON R	RN72K1J-331JE	1	435033314R1	NSP<B CMDC, B CMPP>
R324	C-CARBON R	RN72K1J-331JE	1	435033314R1	NSP
R325	C-CARBON R	RN72K1J-331JE	1	435033314R1	NSP
R326	C-CARBON R	RN72K1J-331JE	1	435033314R1	NSP
R327	C-CARBON R	RN72K1J-221JE	1	435032214R1	NSP
R331	C-CARBON R	RN72K1J-221JE	1	435032214R1	NSP
R332	C-CARBON R	RN72K1J-681JE	1	435036814R1	NSP
R333	C-CARBON R	RN72K1J-221JE	1	435032214R1	NSP
R341	C-CARBON R	RN72K1J-000JE	1	435030004R1	NSP
R350	C-CARBON R	RN72K1J-331JE	1	435033314R1	NSP
R351	C-CARBON R	RN72K1J-331JE	1	435033314R1	NSP

R352	C-CARBON R	RN72K1J-331JE	1	435033314R1	NSP	
R354	C-CARBON R	RN72K1J-221JE	1	435032214R1	NSP	
R355	C-CARBON R	RN72K1J-220JE	1	435032204R1	NSP	
R356	C-CARBON R	RN72K1J-220JE	1	435032204R1	NSP	
R357	C-CARBON R	RN72K1J-220JE	1	435032204R1	NSP	
R358	C-CARBON R	RN72K1J-220JE	1	435032204R1	NSP	
R359	C-CARBON R	RN72K1J-220JE	1	435032204R1	NSP	
R360	C-CARBON R	RN72K1J-220JE	1	435032204R1	NSP	
R361	C-CARBON R	RN72K1J-331JE	1	435033314R1	NSP	
R362	C-CARBON R	RN72K1J-472JE	1	435034724R1	NSP	
R371	C-CARBON R	RN72K1J-102JE	1	435031024R1	NSP	
R400	C-CARBON R	RN72K1J-153JE	1	435031534R1	NSP	
R401	C-CARBON R	RN72K1J-153JE	1	435031534R1	NSP	
R402	C-CARBON R	RN72K1J-153JE	1	435031534R1	NSP	
R403	C-CARBON R	RN72K1J-153JE	1	435031534R1	NSP	
R404	C-CARBON R	RN72K1J-153JE	1	435031534R1	NSP	
R405	C-CARBON R	RN72K1J-153JE	1	435031534R1	NSP	<B CMDC, B CMPP>
R406	C-CARBON R	RN72K1J-153JE	1	435031534R1	NSP	<B CMDC, B CMPP>
R407	C-CARBON R	RN72K1J-153JE	1	435031534R1	NSP	
R410	C-CARBON R	RN72K1J-153JE	1	435031534R1	NSP	
R411	C-CARBON R	RN72K1J-153JE	1	435031534R1	NSP	
R412	C-CARBON R	RN72K1J-153JE	1	435031534R1	NSP	
R413	C-CARBON R	RN72K1J-153JE	1	435031534R1	NSP	
R414	C-CARBON R	RN72K1J-153JE	1	435031534R1	NSP	
R415	C-CARBON R	RN72K1J-153JE	1	435031534R1	NSP	<B CMDC, B CMPP>
R416	C-CARBON R	RN72K1J-153JE	1	435031534R1	NSP	<B CMDC, B CMPP>
R417	C-CARBON R	RN72K1J-153JE	1	435031534R1	NSP	
R420	C-CARBON R	RN72K1J-103JE	1	435031034R1	NSP	<B CMDC, B CMPP>
R421	C-CARBON R	RN72K1J-103JE	1	435031034R1	NSP	<B CMDC, B CMPP>
R430	C-CARBON R	RN72K1J-103JE	1	435031034R1	NSP	<B CMDC, B CMPP>
R431	C-CARBON R	RN72K1J-103JE	1	435031034R1	NSP	<B CMDC, B CMPP>
R440	C-CARBON R	RN72K1J-123JE	1	435031234R1	NSP	<B CMDC, B CMPP>
R441	C-CARBON R	RN72K1J-123JE	1	435031234R1	NSP	<B CMDC, B CMPP>
R442	C-CARBON R	RN72K1J-223JE	1	435032234R1	NSP	
R443	C-CARBON R	RN72K1J-223JE	1	435032234R1	NSP	
R444	C-CARBON R	RN72K1J-223JE	1	435032234R1	NSP	
R445	C-CARBON R	RN72K1J-223JE	1	435032234R1	NSP	<B CMDC, B CMPP>
R446	C-CARBON R	RN72K1J-223JE	1	435032234R1	NSP	<B CMDC, B CMPP>
R447	C-CARBON R	RN72K1J-223JE	1	435032234R1	NSP	
R450	C-CARBON R	RN72K1J-123JE	1	435031234R1	NSP	<B CMDC, B CMPP>
R451	C-CARBON R	RN72K1J-123JE	1	435031234R1	NSP	<B CMDC, B CMPP>
R452	C-CARBON R	RN72K1J-223JE	1	435032234R1	NSP	
R453	C-CARBON R	RN72K1J-223JE	1	435032234R1	NSP	

R454	C-CARBON R	RN72K1J-223JE	1	435032234R1	NSP
R455	C-CARBON R	RN72K1J-223JE	1	435032234R1	NSP <B CMDC, B CMPP>
R456	C-CARBON R	RN72K1J-223JE	1	435032234R1	NSP <B CMDC, B CMPP>
R457	C-CARBON R	RN72K1J-223JE	1	435032234R1	NSP
R460	C-CARBON R	RN72K1J-182JE	1	435031824R1	NSP <B CMDC, B CMPP>
R461	C-CARBON R	RN72K1J-182JE	1	435031824R1	NSP <B CMDC, B CMPP>
R462	C-CARBON R	RN72K1J-182JE	1	435031824R1	NSP
R463	C-CARBON R	RN72K1J-182JE	1	435031824R1	NSP
R464	C-CARBON R	RN72K1J-182JE	1	435031824R1	NSP
R465	C-CARBON R	RN72K1J-182JE	1	435031824R1	NSP <B CMDC, B CMPP>
R466	C-CARBON R	RN72K1J-182JE	1	435031824R1	NSP <B CMDC, B CMPP>
R467	C-CARBON R	RN72K1J-182JE	1	435031824R1	NSP
R470	C-CARBON R	RN72K1J-182JE	1	435031824R1	NSP <B CMDC, B CMPP>
R471	C-CARBON R	RN72K1J-182JE	1	435031824R1	NSP <B CMDC, B CMPP>
R472	C-CARBON R	RN72K1J-182JE	1	435031824R1	NSP
R473	C-CARBON R	RN72K1J-182JE	1	435031824R1	NSP
R474	C-CARBON R	RN72K1J-182JE	1	435031824R1	NSP
R475	C-CARBON R	RN72K1J-182JE	1	435031824R1	NSP <B CMDC, B CMPP>
R476	C-CARBON R	RN72K1J-182JE	1	435031824R1	NSP <B CMDC, B CMPP>
R477	C-CARBON R	RN72K1J-182JE	1	435031824R1	NSP
R480	C-CARBON R	RN72K1J-273JE	1	435032734R1	NSP <B CMDC, B CMPP>
R481	C-CARBON R	RN72K1J-273JE	1	435032734R1	NSP <B CMDC, B CMPP>
R482	C-CARBON R	RN72K1J-223JE	1	435032234R1	NSP <B CMDC, B CMPP>
R483	C-CARBON R	RN72K1J-223JE	1	435032234R1	NSP <B CMDC, B CMPP>
R484	C-CARBON R	RN72K1J-103JE	1	435031034R1	NSP <B CMDC, B CMPP>
R485	C-CARBON R	RN72K1J-103JE	1	435031034R1	NSP <B CMDC, B CMPP>
R486	C-CARBON R	RN72K1J-103JE	1	435031034R1	NSP <B CMDC, B CMPP>
R487	C-CARBON R	RN72K1J-103JE	1	435031034R1	NSP <B CMDC, B CMPP>
R490	C-CARBON R	RN72K1J-102JE	1	435031024R1	NSP <B CMDC, B CMPP>
R491	C-CARBON R	RN72K1J-102JE	1	435031024R1	NSP <B CMDC, B CMPP>
R498	C-CARBON R	RN72K1J-100JE	1	435031004R1	NSP
R499	C-CARBON R	RN72K1J-100JE	1	435031004R1	NSP
R501	C-CARBON R	RN72K1J-473JE	1	435034734R1	NSP
R503	C-CARBON R	RN72K1J-103JE	1	435031034R1	NSP
R504	C-CARBON R	RN72K1J-000JE	1	435030004R1	NSP
R505	C-CARBON R	RN72K1J-103JE	1	435031034R1	NSP
R506	C-CARBON R	RN72K1J-221JE	1	435032214R1	NSP
R508	C-CARBON R	RN72K1J-105JE	1	435031054R1	NSP
R509	C-CARBON R	RN72K1J-221JE	1	435032214R1	NSP
R510	C-CARBON R	RN72K1J-470JE	1	435034704R1	NSP
R511	C-CARBON R	RN72K1J-473JE	1	435034734R1	NSP
R512	C-CARBON R	RN72K1J-221JE	1	435032214R1	NSP
R514	C-CARBON R	RN72K1J-470JE	1	435034704R1	NSP

R515	C-CARBON R	RN72K1J-470JE	1	435034704R1	NSP
R516	C-CARBON R	RN72K1J-470JE	1	435034704R1	NSP
R517	C-CARBON R	RN72K1J-470JE	1	435034704R1	NSP
R518	C-CARBON R	RN72K1J-103JE	1	435031034R1	NSP
R519	C-CARBON R	RN72K1J-470JE	1	435034704R1	NSP
R520	C-CARBON R	RN72K1J-103JE	1	435031034R1	NSP
R521	C-CARBON R	RN72K1J-470JE	1	435034704R1	NSP
R522	C-CARBON R	RN72K1J-470JE	1	435034704R1	NSP
R523	C-CARBON R	RN72K1J-470JE	1	435034704R1	NSP
R524	C-CARBON R	RN72K1J-103JE	1	435031034R1	NSP<B CMDC, B CMPP>
R527	C-CARBON R	RN72K1J-470JE	1	435034704R1	NSP
R529	C-CARBON R	RN72K1J-470JE	1	435034704R1	NSP
R530	C-CARBON R	RN72K1J-470JE	1	435034704R1	NSP
R531	C-CARBON R	RN72K1J-103JE	1	435031034R1	NSP
R532	C-CARBON R	RN72K1J-472JE	1	435034724R1	NSP
R533	C-CARBON R	RN72K1J-472JE	1	435034724R1	NSP
R534	C-CARBON R	RN72K1J-223JE	1	435032234R1	NSP
R535	C-CARBON R	RN72K1J-223JE	1	435032234R1	NSP
R536	C-CARBON R	RN72K1J-223JE	1	435032234R1	NSP
R537	C-CARBON R	RN72K1J-223JE	1	435032234R1	NSP
R538	C-CARBON R	RN72K1J-103JE	1	435031034R1	NSP
R543	C-CARBON R	RN72K1J-103JE	1	435031034R1	NSP
R544	C-CARBON R	RN72K1J-221JE	1	435032214R1	NSP
R545	C-CARBON R	RN72K1J-221JE	1	435032214R1	NSP
R546	C-CARBON R	RN72K1J-221JE	1	435032214R1	NSP
R547	C-CARBON R	RN72K1J-221JE	1	435032214R1	NSP
R548	C-CARBON R	RN72K1J-221JE	1	435032214R1	NSP
R550	C-CARBON R	RN72K1J-470JE	1	435034704R1	NSP
R551	C-CARBON R	RN72K1J-103JE	1	435031034R1	NSP
R552	C-CARBON R	RN72K1J-103JE	1	435031034R1	NSP
R553	C-CARBON R	RN72K1J-470JE	1	435034704R1	NSP
R554	C-CARBON R	RN72K1J-103JE	1	435031034R1	NSP
R556	C-CARBON R	RN72K1J-470JE	1	435034704R1	NSP
R557	C-CARBON R	RN72K1J-103JE	1	435031034R1	NSP
R558	C-CARBON R	RN72K1J-470JE	1	435034704R1	NSP
R559	C-CARBON R	RN72K1J-272JE	1	435032724R1	NSP
R562	C-CARBON R	RN72K1J-103JE	1	435031034R1	NSP
R563	C-CARBON R	RN72K1J-103JE	1	435031034R1	NSP
R565	C-CARBON R	RN72K1J-470JE	1	435034704R1	NSP<B CMDC, B CMPP>
R566	C-CARBON R	RN72K1J-222JE	1	435032224R1	NSP<B CMDC, B CMPP>
R567	C-CARBON R	RN72K1J-470JE	1	435034704R1	NSP<B CMDC, B CMPP>
R568	C-CARBON R	RN72K1J-222JE	1	435032224R1	NSP<B CMDC, B CMPP>
R569	C-CARBON R	RN72K1J-102JE	1	435031024R1	NSP<B CMDC, B CMPP>

R570	C-CARBON R	RN72K1J-273JE	1	435032734R1	NSP	<B CMDC, B CMPP>
R571	C-CARBON R	RN72K1J-102JE	1	435031024R1	NSP	<B CMDC, B CMPP>
R572	C-CARBON R	RN72K1J-273JE	1	435032734R1	NSP	<B CMDC, B CMPP>
R573	C-CARBON R	RN72K1J-221JE	1	435032214R1	NSP	
R574	C-CARBON R	RN72K1J-470JE	1	435034704R1	NSP	
R575	C-CARBON R	RN72K1J-470JE	1	435034704R1	NSP	
R576	C-CARBON R	RN72K1J-470JE	1	435034704R1	NSP	
R578	C-CARBON R	RN72K1J-470JE	1	435034704R1	NSP	
R579	C-CARBON R	RN72K1J-470JE	1	435034704R1	NSP	
R580	C-CARBON R	RN72K1J-103JE	1	435031034R1	NSP	
R581	C-CARBON R	RN72K1J-103JE	1	435031034R1	NSP	
R582	C-CARBON R	RN72K1J-221JE	1	435032214R1	NSP	
R583	C-CARBON R	RN72K1J-221JE	1	435032214R1	NSP	
R584	C-CARBON R	RN72K1J-103JE	1	435031034R1	NSP	
R585	C-CARBON R	RN72K1J-221JE	1	435032214R1	NSP	
R586	C-CARBON R	RN72K1J-103JE	1	435031034R1	NSP	
R587	C-CARBON R	RN72K1J-221JE	1	435032214R1	NSP	
R588	C-CARBON R	RN72K1J-103JE	1	435031034R1	NSP	
R589	C-CARBON R	RN72K1J-470JE	1	435034704R1	NSP	
R590	C-CARBON R	RN72K1J-103JE	1	435031034R1	NSP	
R591	C-CARBON R	RN72K1J-470JE	1	435034704R1	NSP	
R592	C-CARBON R	RN72K1J-470JE	1	435034704R1	NSP	
R593	C-CARBON R	RN72K1J-221JE	1	435032214R1	NSP	
R594	C-CARBON R	RN72K1J-221JE	1	435032214R1	NSP	
R595	C-CARBON R	RN72K1J-221JE	1	435032214R1	NSP	
R596	C-CARBON R	RN72K1J-103JE	1	435031034R1	NSP	
R597	C-CARBON R	RN72K1J-470JE	1	435034704R1	NSP	
R598	C-CARBON R	RN72K1J-221JE	1	435032214R1	NSP	
R599	C-CARBON R	RN72K1J-103JE	1	435031034R1	NSP	
R600	C-CARBON R	RN72K1J-103JE	1	435031034R1	NSP	
R601	C-CARBON R	RN72K1J-470JE	1	435034704R1	NSP	
R602	C-CARBON R	RN72K1J-470JE	1	435034704R1	NSP	
R603	C-CARBON R	RN72K1J-470JE	1	435034704R1	NSP	
R604	C-CARBON R	RN72K1J-103JE	1	435031034R1	NSP	
R605	C-CARBON R	RN72K1J-221JE	1	435032214R1	NSP	
R606	C-CARBON R	RN72K1J-470JE	1	435034704R1	NSP	
R607	C-CARBON R	RN72K1J-470JE	1	435034704R1	NSP	
R608	C-CARBON R	RN72K1J-470JE	1	435034704R1	NSP	
R609	C-CARBON R	RN72K1J-102JE	1	435031024R1	NSP	
R611	C-CARBON R	RN72K1J-102JE	1	435031024R1	NSP	
R613	C-CARBON R	RN72K1J-102JE	1	435031024R1	NSP	
R614	C-CARBON R	RN72K1J-103JE	1	435031034R1	NSP	
R616	C-CARBON R	RN72K1J-103JE	1	435031034R1	NSP	

R617	C-CARBON R	RN72K1J-221JE	1	435032214R1	NSP
R618	C-CARBON R	RN72K1J-103JE	1	435031034R1	NSP
R619	C-CARBON R	RN72K1J-470JE	1	435034704R1	NSP
R620	C-CARBON R	RN72K1J-103JE	1	435031034R1	NSP
R621	C-CARBON R	RN72K1J-221JE	1	435032214R1	NSP
R622	C-CARBON R	RN72K1J-470JE	1	435034704R1	NSP
R623	C-CARBON R	RN72K1J-103JE	1	435031034R1	NSP
R625	C-CARBON R	RN72K1J-470JE	1	435034704R1	NSP
R626	C-CARBON R	RN72K1J-103JE	1	435031034R1	NSP
R627	C-CARBON R	RN72K1J-000JE	1	435030004R1	NSP
R628	C-CARBON R	RN72K1J-221JE	1	435032214R1	NSP
R629	C-CARBON R	RN72K1J-221JE	1	435032214R1	NSP
R630	C-CARBON R	RN72K1J-221JE	1	435032214R1	NSP
R631	C-CARBON R	RN72K1J-470JE	1	435034704R1	NSP
R632	C-CARBON R	RN72K1J-470JE	1	435034704R1	NSP
R634	C-CARBON R	RN72K1J-470JE	1	435034704R1	NSP
R636	C-CARBON R	RN72K1J-470JE	1	435034704R1	NSP
R638	C-CARBON R	RN72K1J-470JE	1	435034704R1	NSP
R639	C-CARBON R	RN72K1J-103JE	1	435031034R1	NSP
R640	C-CARBON R	RN72K1J-470JE	1	435034704R1	NSP
R641	C-CARBON R	RN72K1J-103JE	1	435031034R1	NSP
R642	C-CARBON R	RN72K1J-221JE	1	435032214R1	NSP
R643	C-CARBON R	RN72K1J-103JE	1	435031034R1	NSP
R644	C-CARBON R	RN72K1J-221JE	1	435032214R1	NSP
R645	C-CARBON R	RN72K1J-103JE	1	435031034R1	NSP
R646	C-CARBON R	RN72K1J-221JE	1	435032214R1	NSP
R647	C-CARBON R	RN72K1J-103JE	1	435031034R1	NSP
R648	C-CARBON R	RN72K1J-221JE	1	435032214R1	NSP
R650	C-CARBON R	RN72K1J-221JE	1	435032214R1	NSP
R651	C-CARBON R	RN72K1J-103JE	1	435031034R1	NSP
R652	C-CARBON R	RN72K1J-102JE	1	435031024R1	NSP
R653	C-CARBON R	RN72K1J-105JE	1	435031054R1	NSP
R654	C-CARBON R	RN72K1J-103JE	1	435031034R1	NSP
R655	C-CARBON R	RN72K1J-221JE	1	435032214R1	NSP
R656	C-CARBON R	RN72K1J-221JE	1	435032214R1	NSP
R658	C-CARBON R	RN72K1J-221JE	1	435032214R1	NSP
R659	C-CARBON R	RN72K1J-273JE	1	435032734R1	NSP
R660	C-CARBON R	RN72K1J-221JE	1	435032214R1	NSP
R661	C-CARBON R	RN72K1J-221JE	1	435032214R1	NSP
R662	C-CARBON R	RN72K1J-000JE	1	435030004R1	NSP<B CMDC, B CMPP>
R664	C-CARBON R	RN72K1J-103JE	1	435031034R1	NSP<B CMDC, B CMPP>
R665	C-CARBON R	RN72K1J-333JE	1	435033334R1	NSP<B CMDC, B CMPP>
R666	C-CARBON R	RN72K1J-000JE	1	435030004R1	NSP<B CMDC, B CMPP>

R668	C-CARBON R	RN72K1J-103JE	1	435031034R1	NSP	<B CMDC>
R669	C-CARBON R	RN72K1J-103JE	1	435031034R1	NSP	<B CMPP>
R669	C-CARBON R	RN72K1J-333JE	1	435033334R1	NSP	<B CMDC>
R670	C-CARBON R	RN72K1J-472JE	1	435034724R1	NSP	
R671	C-CARBON R	RN72K1J-272JE	1	435032724R1	NSP	
R672	C-CARBON R	RN72K1J-472JE	1	435034724R1	NSP	
R673	C-CARBON R	RN72K1J-272JE	1	435032724R1	NSP	
R674	C-CARBON R	RN72K1J-472JE	1	435034724R1	NSP	
R675	C-CARBON R	RN72K1J-272JE	1	435032724R1	NSP	
R676	C-CARBON R	RN72K1J-472JE	1	435034724R1	NSP	
R677	C-CARBON R	RN72K1J-272JE	1	435032724R1	NSP	
R681	C-CARBON R	RN72K1J-473JE	1	435034734R1	NSP	
R682	C-CARBON R	RN72K1J-103JE	1	435031034R1	NSP	
R683	C-CARBON R	RN72K1J-103JE	1	435031034R1	NSP	
R684	C-CARBON R	RN72K1J-000JE	1	435030004R1	NSP	<B CMDC, B CMPP>
R685	C-CARBON R	RN72K1J-000JE	1	435030004R1	NSP	<B CMDC, B CMPP>
R686	C-CARBON R	RN72K1J-103JE	1	435031034R1	NSP	
R687	C-CARBON R	RN72K1J-103JE	1	435031034R1	NSP	
R688	C-CARBON R	RN72K1J-103JE	1	435031034R1	NSP	
R691	C-CARBON R	RN72K1J-103JE	1	435031034R1	NSP	
R693	C-CARBON R	RN72K1J-103JE	1	435031034R1	NSP	
R694	C-CARBON R	RN72K1J-221JE	1	435032214R1	NSP	
R695	C-CARBON R	RN72K1J-221JE	1	435032214R1	NSP	
R696	C-CARBON R	RN72K1J-470JE	1	435034704R1	NSP	
R697	C-CARBON R	RN72K1J-470JE	1	435034704R1	NSP	
R701	C-CARBON R	RN72K1J-000JE	1	435030004R1	NSP	
R702	C-CARBON R	RN72K1J-000JE	1	435030004R1	NSP	<B CMDC, B CMPP>
R705	C-CARBON R	RN72K1J-000JE	1	435030004R1	NSP	<B CMDC, B CMPP>
R708	C-CARBON R	RN72K1J-103JE	1	435031034R1	NSP	
R709	C-CARBON R	RN72K1J-103JE	1	435031034R1	NSP	
R712	C-CARBON R	RN72K1J-102JE	1	435031024R1	NSP	
R713	C-CARBON R	RN72K1J-222JE	1	435032224R1	NSP	
R714	C-CARBON R	RN72K1J-103JE	1	435031034R1	NSP	
R715	C-CARBON R	RN72K1J-103JE	1	435031034R1	NSP	
R716	C-CARBON R	RN72K1J-470JE	1	435034704R1	NSP	
R721	C-CARBON R	RN72K1J-103JE	1	435031034R1	NSP	
R723	C-CARBON R	RN72K1J-101JE	1	435031014R1	NSP	
R724	C-CARBON R	RN72K1J-101JE	1	435031014R1	NSP	
R725	C-CARBON R	RN72K1J-221JE	1	435032214R1	NSP	
R726	C-CARBON R	RN72K1J-273JE	1	435032734R1	NSP	
R761	C-CARBON R	RN72K1J-103JE	1	435031034R1	NSP	<B CMDC, B CMPP>
R762	C-CARBON R	RN72K1J-222JE	1	435032224R1	NSP	<B CMDC, B CMPP>
R763	C-CARBON R	RN72K1J-102JE	1	435031024R1	NSP	<B CMDC, B CMPP>

R771	C-CARBON R	RN72K1J-103JE	1	435031034R1	NSP	<B CMDC, B CMPP>
R772	C-CARBON R	RN72K1J-222JE	1	435032224R1	NSP	<B CMDC, B CMPP>
R773	C-CARBON R	RN72K1J-102JE	1	435031024R1	NSP	<B CMDC, B CMPP>
R801	C-CARBON R	RN72K1J-000JE	1	435030004R1	NSP	
R806	C-CARBON R	RN72K1J-000JE	1	435030004R1	NSP	<B CMDC, B CMPP>
R808	C-CARBON R	RN72K1J-000JE	1	435030004R1	NSP	<B CMDC, B CMPP>
R810	C-CARBON R	RN72K1J-000JE	1	435030004R1	NSP	<B CMDC, B CMPP>
R822	C-CARBON R	RN72K1J-000JE	1	435030004R1	NSP	<B CMDC, B CMPP>
[SW TRM]						
JL501B	WIRE TRAP	NPLG-3P586	1	25055624		
JL502B	WIRE TRAP	NPLG-5P588	1	25055626		
JL610B	WIRE TRAP	NPLG-7P590	1	25055628		<B CMDC, B CMPP>
JL901B	WIRE TRAP	NPLG-5P588	1	25055626		
P101A	SOCKET	NSCT-11P2104	1	25052207		<B CMDC, B CMPP>
P131	PIN JACK	NPJ-2PDO0626	1	25045847		<B CMDC, B CMPP>
P131 or	PIN JACK	NPJ-2PDO445	(1)	25045640		<B CMDC, B CMPP>
P2001A	SOCKET	MSA-9142S-24A	1	25053234		
P2002B	SOCKET	NSCT-15P2195	1	25052298		
P2081	SOCKET	NNA1-01-006	1	25053357		
P5501A	SOCKET	NSCT-7P2187	1	25052290		
P5502A	SOCKET	NSCT-15P2195	1	25052298		
P5503A	SOCKET	NSCT-9P2189	1	25052292		
P5504A	SOCKET	NSCT-3P2183	1	25052286		<B CMDC, B CMPP>
P701A	SOCKET	NSCT-31P2124	1	25052227		
P751A	SOCKET	MSA-9618S-09A	1	25053334R2		
P8001A	PLUG	MSA-9111B-16	1	25056620		
P8002A	PLUG	MSA-9111B-24	1	25056625		
[TUNER UNIT]						
U131	PHT CP	JSR1165-001recieving	1	24120143		
U132	PHT CP	JSR1165-001recieving	1	24120143		

HT-R980

PC BOARD PARTS LIST

U004	DIS-AS(Display/video/Pow_supply/etc Asy) U0040,U0041,U0042,U0043,U0044	BADIS-0373-1K *	1	1B247573-1K	N	<B CMDC>
U004	DIS-AS(Display/video/Pow_supply/etc Asy) U0040,U0041,U0042,U0043,U0045	BADIS-0373-1N *	1	1B247573-1N	N	<B CMPP>
U0040	DIS-AS(Display Asy)	BADIS-0373-1K	1	1B2475373-1K	N	<B CMDC>
U0040	DIS-AS(Display Asy)	BADIS-0373-1N	1	1B2475373-1N	N	<B CMPP>
U0041	PWB(Standby Key/LED)	BADIS-0374-1K	1	Included in "REF.NO. U0040" U0040	N	<B CMDC>
U0041	PWB(Standby Key/LED)	BADIS-0374-1N	1	Included in "REF.NO. U0040"	N	<B CMPP>
U0042	PWB(Video Asy)	BAVD-0375-1K	1	1B2475375-1K	N	<B CMDC>
U0042	PWB(Video Asy)	BAVD-0375-1N	1	1B2475375-1N	N	<B CMPP>

U0043	PWB(Power Supply Asy)	BAETC-0376-1K	1	1B2475376-1K	N	<B CMDC>
U0043	PWB(Power Supply Asy)	BAETC-0376-1N	1	1B2475376-1N	N	<B CMPP>
U0044	PWB(HP Jack Asy)	BAETC-0377-1K	1	1B2475377-1K	N	<B CMDC>
U0044	PWB(HP Jack Asy)	BAETC-0377-1N	1	1B2475377-1N	N	<B CMPP>

CIRCUIT	PART NAME	DESCRIPTION	Q'TY	PART NO. (SN)	REMARKS
[SEMI CONDUCTOR]					
D7002	ZENER D	UDZS8.2B	1	224550820R2	
D7033	ZENER D	UDZS3.9B	1	224550390R2	
D7151	LED	SLI-343URC-TE7	1	225449T	
D7152	LED	SLI-343Y8C-TE7	1	225490T	N
D7153	LED	SLR-342MGTE7P	1	225455T	<B CMDC, B CMPP>
D7301	C-DIODE	KDS4148U	1	223283R2	NSP <B CMDC, B CMPP>
D7301 or	C-DIODE	1SS352	(1)	223234R2	NSP <B CMDC, B CMPP>
D7301 or	C-DIODE	MA2J111	(1)	223279R2	NSP <B CMDC, B CMPP>
D7302	C-DIODE	KDS4148U	1	223283R2	NSP <B CMDC, B CMPP>
D7302 or	C-DIODE	1SS352	(1)	223234R2	NSP <B CMDC, B CMPP>
D7302 or	C-DIODE	MA2J111	(1)	223279R2	NSP <B CMDC, B CMPP>
D7401	ZENER D	UDZS5.1B	1	224550510R2	<B CMDC, B CMPP>
D7411	ZENER D	UDZS6.8B	1	224550680R2	<B CMDC, B CMPP>
D7412	ZENER D	UDZS6.8B	1	224550680R2	<B CMDC, B CMPP>
D9011	DIODE	D5SBA20	1	22380130	<B CMDC, B CMPP>
D9011A	SCREW	3P+10FN(3BC)	1	82143010GR	NSP <B CMDC, B CMPP>
D9011B	HEAT SINK	RAD-083	1	27160271	NSP <B CMDC, B CMPP>
D9014	C-DIODE	KDS4148U	1	223283R2	NSP
D9014 or	C-DIODE	1SS352	(1)	223234R2	NSP
D9014 or	C-DIODE	MA2J111	(1)	223279R2	NSP
D9015	C-DIODE	KDS4148U	1	223283R2	NSP
D9015 or	C-DIODE	1SS352	(1)	223234R2	NSP
D9015 or	C-DIODE	MA2J111	(1)	223279R2	NSP
D9016	ZENER D	UDZS6.2B	1	224550620R2	<B CMDC, B CMPP>
D9023	C-DIODE	KDS4148U	1	223283R2	NSP
D9023 or	C-DIODE	1SS352	(1)	223234R2	NSP
D9023 or	C-DIODE	MA2J111	(1)	223279R2	NSP
D9025	C-DIODE	KDS4148U	1	223283R2	NSP
D9025 or	C-DIODE	1SS352	(1)	223234R2	NSP
D9025 or	C-DIODE	MA2J111	(1)	223279R2	NSP
D9032	C-DIODE	KDS4148U	1	223283R2	NSP
D9032 or	C-DIODE	1SS352	(1)	223234R2	NSP
D9032 or	C-DIODE	MA2J111	(1)	223279R2	NSP
D911	C-DIODE	KDS4148U	1	223283R2	NSP
D911 or	C-DIODE	1SS352	(1)	223234R2	NSP
D911 or	C-DIODE	MA2J111	(1)	223279R2	NSP

D912	C-DIODE	KDS4148U	1	223283R2	NSP	
D912 or	C-DIODE	1SS352	(1)	223234R2	NSP	
D912 or	C-DIODE	MA2J111	(1)	223279R2	NSP	
D921	C-DIODE	KDS4148U	1	223283R2	NSP	
D921 or	C-DIODE	1SS352	(1)	223234R2	NSP	
D921 or	C-DIODE	MA2J111	(1)	223279R2	NSP	
D922	C-DIODE	KDS4148U	1	223283R2	NSP	
D922 or	C-DIODE	1SS352	(1)	223234R2	NSP	
D922 or	C-DIODE	MA2J111	(1)	223279R2	NSP	
D923	C-DIODE	KDS4148U	1	223283R2	NSP	
D923 or	C-DIODE	1SS352	(1)	223234R2	NSP	
D923 or	C-DIODE	MA2J111	(1)	223279R2	NSP	
D924	C-DIODE	KDS4148U	1	223283R2	NSP	
D924 or	C-DIODE	1SS352	(1)	223234R2	NSP	
D924 or	C-DIODE	MA2J111	(1)	223279R2	NSP	
D925	C-DIODE	KDS4148U	1	223283R2	NSP	
D925 or	C-DIODE	1SS352	(1)	223234R2	NSP	
D925 or	C-DIODE	MA2J111	(1)	223279R2	NSP	
D930	C-DIODE	KDS4148U	1	223283R2	NSP	
D930 or	C-DIODE	1SS352	(1)	223234R2	NSP	
D930 or	C-DIODE	MA2J111	(1)	223279R2	NSP	
D931	C-DIODE	KDS4148U	1	223283R2	NSP	
D931 or	C-DIODE	1SS352	(1)	223234R2	NSP	
D931 or	C-DIODE	MA2J111	(1)	223279R2	NSP	
D933	C-DIODE	KDS4148U	1	223283R2	NSP	
D933 or	C-DIODE	1SS352	(1)	223234R2	NSP	
D933 or	C-DIODE	MA2J111	(1)	223279R2	NSP	
D934	ZENER D	UDZS5.6B	1	224550560R2		<B CMDC, B CMPP>
D935	C-DIODE	KDS4148U	1	223283R2	NSP	
D935 or	C-DIODE	1SS352	(1)	223234R2	NSP	
D935 or	C-DIODE	MA2J111	(1)	223279R2	NSP	
Q2001	IC	NJW1326FH2	1	22242583R3		
Q2002	IC	NJM2505AF	1	22242490R2		<B CMDC, B CMPP>
Q2002 or	IC	BH7673G-TR	(1)	22242661R2		<B CMDC, B CMPP>
Q7002	FL TUBE	16-BT-162GNK	1	212273		
Q7002A	HOLDER	(FL)	1	27191222C		
Q7003	IC	M66005-0001AHP	1	22242208R3		
Q7004	TR	KTC3875-GR	1	2216175R2		
Q7005	TR	KRA102S	1	2216220R2		<B CMDC, B CMPP>
Q7007	TR	KRC102S	1	2216190R2		<B CMDC, B CMPP>
Q7033	TR	KTC3875-GR	1	2216175R2		
Q7153	TR	DTC123JKA	1	2216690R2		<B CMDC, B CMPP>
Q7401	IC	NJM4580M-D	1	22241448R2		<B CMDC, B CMPP>

Q7403	TR	DTC114TKA	1	2216670R2	<B CMDC, B CMPP>
Q7404	TR	DTC114TKA	1	2216670R2	<B CMDC, B CMPP>
Q9022	IC	78M05(NJM78M05FA)	1	222780055JRC	
Q9022 or	IC	78M05AHF(MPC78M05AHF)	(1)	222780055NEC	
Q9022A	SCREW	3P+6FN(3BC)	1	82143006GR	NSP
Q9022B	HEAT SINK	RAD-157	1	27160491	NSP
Q9031	IC	MPC2905BHF	1	22278005DBNE	
Q9031A	SCREW	3P+10FN(3BC)	1	82143010GR	NSP
Q9031B	HEAT SINK	RAD-140	1	27160471	NSP
[TRANS COIL]					
L7031	CHOKE COIL	LBC2518T2R2M	1	231364M022R2	
L7032	CHOKE COIL	LBC2518T2R2M	1	231364M022R2	
L7201	CHOKE COIL	LBC2518T2R2M	1	231364M022R2	
L7202	CHOKE COIL	LBC2518T2R2M	1	231364M022R2	
L7203	CHOKE COIL	LBC2518T2R2M	1	231364M022R2	
L7401	CHOKE COIL	LBC2518T2R2M	1	231364M022R2	<B CMDC, B CMPP>
L7402	CHOKE COIL	LBC2518T2R2M	1	231364M022R2	<B CMDC, B CMPP>
T902	P TRANS	NPT-1520JQ	1	2301812A	I <B CMDC>
T902	P TRANS	NPT-1520GQ	1	2301813A	I <B CMPP>
[CAPACITOR]					
C2001	VR C	CE04W50V-10M(VR)	1	394681007T	<B CMDC, B CMPP>
C2002	C-CERA C	CK725F1E-104Z1	1	332161040R1	NSP <B CMDC, B CMPP>
C2003	VR C	CE04W6.3V-470M(VR)	1	394624717T	<B CMDC, B CMPP>
C2004	C-CERA C	CC725CH1H-470J1	1	342104704R1	NSP <B CMDC, B CMPP>
C2005	VR C	CE04W6.3V-470M(VR)	1	394624717T	<B CMDC, B CMPP>
C2006	C-CERA C	CC725CH1H-470J1	1	342104704R1	NSP <B CMDC, B CMPP>
C2011	C-CERA C	CK725F1A-105Z1	1	332181050R1	NSP
C2012	C-CERA C	CK725F1A-105Z1	1	332181050R1	NSP
C2013	C-CERA C	CK725F1A-105Z1	1	332181050R1	NSP
C2014	C-CERA C	CK725F1A-105Z1	1	332181050R1	NSP
C2015	C-CERA C	CK725F1A-105Z1	1	332181050R1	NSP
C2016	C-CERA C	CK725F1A-105Z1	1	332181050R1	NSP
C2017	C-CERA C	CK725F1A-105Z1	1	332181050R1	NSP
C2018	C-CERA C	CK725F1A-105Z1	1	332181050R1	NSP
C2019	C-CERA C	CK725F1A-105Z1	1	332181050R1	NSP
C2020	C-CERA C	CK725F1A-105Z1	1	332181050R1	NSP
C2021	C-CERA C	CK725F1A-105Z1	1	332181050R1	NSP
C2022	C-CERA C	CK725F1A-105Z1	1	332181050R1	NSP
C2030	UTSP C	CE04W50V-10M(UTSP)	1	397581007T	<B CMDC, B CMPP>
C2031	C-CERA C	CC725CH1H-471J1	1	342104714R1	NSP <B CMDC, B CMPP>
C2032	UTSP C	CE04W50V-10M(UTSP)	1	397581007T	<B CMDC, B CMPP>
C2033	C-CERA C	CC725CH1H-471J1	1	342104714R1	NSP <B CMDC, B CMPP>
C2101	VR C	CE04W50V-10M(VR)	1	394681007T	<B CMDC, B CMPP>

C2102	VR C	CE04W6.3V-470M(VR)	1	394624717T	
C2103	VR C	CE04W50V-10M(VR)	1	394681007T	
C2104	VR C	CE04W50V-10M(VR)	1	394681007T	
C2105	VR C	CE04W6.3V-470M(VR)	1	394624717T	
C2106	VR C	CE04W50V-10M(VR)	1	394681007T	
C2107	VR C	CE04W50V-10M(VR)	1	394681007T	
C2108	VR C	CE04W6.3V-470M(VR)	1	394624717T	
C2109	VR C	CE04W6.3V-470M(VR)	1	394624717T	
C2110	VR C	CE04W6.3V-470M(VR)	1	394624717T	
C2111	VR C	CE04W50V-1M(VR)	1	394680107T	
C2112	VR C	CE04W50V-1M(VR)	1	394680107T	
C2113	VR C	CE04W50V-1M(VR)	1	394680107T	
C2114	VR C	CE04W50V-1M(VR)	1	394680107T	
C2115	VR C	CE04W50V-1M(VR)	1	394680107T	
C2116	VR C	CE04W50V-1M(VR)	1	394680107T	
C2117	VR C	CE04W6.3V-470M(VR)	1	394624717T	<B CMDC, B CMPP>
C2118	VR C	CE04W6.3V-470M(VR)	1	394624717T	<B CMDC, B CMPP>
C2119	VR C	CE04W6.3V-470M(VR)	1	394624717T	<B CMDC, B CMPP>
C2120	VR C	CE04W6.3V-470M(VR)	1	394624717T	<B CMDC, B CMPP>
C2201	C-CERA C	CK725B1H-102K1	1	332101025R1	NSP
C2202	C-CERA C	CK725B1H-102K1	1	332101025R1	NSP
C2203	C-CERA C	CK725B1H-103K1	1	332101035R1	NSP
C7001	C-CERA C	CK725B1H-223K1	1	332102235R1	NSP
C7002	C-CERA C	CK725F1E-104Z1	1	332161040R1	NSP
C7003	C-CERA C	CC725CH1H-101J1	1	342101014R1	NSP
C7004	C-CERA C	CC725CH1H-101J1	1	342101014R1	NSP
C7005	C-CERA C	CC725CH1H-101J1	1	342101014R1	NSP
C7007	C-CERA C	CC725CH1H-101J1	1	342101014R1	NSP
C7008	ELECT C	CE04W6.3V-100M	1	355721019T	
C7009	C-CERA C	CK725F1E-104Z1	1	332161040R1	NSP
C7010	C-CERA C	CK725B1H-223K1	1	332102235R1	NSP
C7011	C-CERA C	CK725B1H-223K1	1	332102235R1	NSP
C7012	C-CERA C	CK725B1H-223K1	1	332102235R1	NSP
C7013	ELECT C	CE04W50V-33M	1	355783309T	
C7014	C-CERA C	CK725B1H-223K1	1	332102235R1	NSP
C7015	ELECT C	CE04W16V-47M(S)	1	353744709T	
C7016	C-CERA C	CK725B1H-223K1	1	332102235R1	NSP
C7017	C-CERA C	CK725B1H-223K1	1	332102235R1	NSP
C7021	C-CERA C	CK725B1H-103K1	1	332101035R1	NSP
C7022	C-CERA C	CK725B1H-103K1	1	332101035R1	NSP
C7031	C-CERA C	CK725B1H-223K1	1	332102235R1	NSP
C7032	C-CERA C	CK725B1H-223K1	1	332102235R1	NSP
C7033	ELECT C	CE04W16V-10M(S)	1	353741009T	

C7041	ELECT C	CE04W6.3V-100M(S)	1	353721019T	
C7042	C-CERA C	CC725CH1H-102J1	1	342101024R1	NSP
C7043	C-CERA C	CC725CH1H-102J1	1	342101024R1	NSP
C7201	C-CERA C	CC725CH1H-102J1	1	342101024R1	NSP
C7202	C-CERA C	CK725B1H-223K1	1	332102235R1	NSP <B CMDC, B CMPP>
C7203	MKT C	B32529C0102J289	1	376491024T	<B CMDC, B CMPP>
C7204	MKT C	B32529C0102J289	1	376491024T	<B CMDC, B CMPP>
C7301	C-CERA C	CC725CH1H-471J1	1	342104714R1	NSP
C7302	C-CERA C	CC725CH1H-471J1	1	342104714R1	NSP
C7303	C-CERA C	CK725F1E-104Z1	1	332161040R1	NSP
C7304	C-CERA C	CK725F1E-104Z1	1	332161040R1	NSP <B CMDC, B CMPP>
C7305	C-CERA C	CK725F1E-104Z1	1	332161040R1	NSP
C7306	C-CERA C	CK725F1E-104Z1	1	332161040R1	NSP <B CMDC, B CMPP>
C7309	C-CERA C	CC725CH1H-101J1	1	342101014R1	NSP <B CMDC, B CMPP>
C7401	ELECT C	CE04W16V-10M(S)	1	353741009T	<B CMDC, B CMPP>
C7402	C-CERA C	CC725CH1H-101J1	1	342101014R1	NSP <B CMDC, B CMPP>
C7403	ELECT C	CE04W16V-47M(S)	1	353744709T	<B CMDC, B CMPP>
C7404	C-CERA C	CC725CH1H-330J1	1	342103304R1	NSP <B CMDC, B CMPP>
C7405	ELECT C	CE04W16V-10M(S)	1	353741009T	<B CMDC, B CMPP>
C7411	ELECT C	CE04W16V-47M(S)	1	353744709T	<B CMDC, B CMPP>
C7412	ELECT C	CE04W16V-47M(S)	1	353744709T	<B CMDC, B CMPP>
C7421	C-CERA C	CC725CH1H-102J1	1	342101024R1	NSP <B CMDC, B CMPP>
C901	IS C	LE103-C3.5	1	3800042S	
C901 or	IS C	ECQU2A103MLC	(1)	3800039S	
C9011	VR C	CE04W16V-10000M(VR)	1	394641037S	
C9012	TF C	ECQ-V50V-334J	1	374723344T	
C9013	VR C	CE04W50V-4.7M(VR)	1	394680477T	
C902	C-CERA C	CK725F1E-104Z1	1	332161040R1	NSP
C9023	VR C	CE04W50V-10M(VR)	1	394681007T	
C9025	VR C	CE04W6.3V-470M(VR)	1	394624717T	
C9026	VR C	CE04W6.3V-470M(VR)	1	394624717T	
C9027	C-CERA C	CK725F1E-104Z1	1	332161040R1	NSP
C9028	VR C	CE04W6.3V-470M(VR)	1	394624717T	
C9029	C-CERA C	CK725F1E-104Z1	1	332161040R1	NSP
C9030	VR C	CE04W25V-220M(VR)	1	394652217T	
C9031	C-CERA C	CK725F1E-104Z1	1	332161040R1	NSP
C9032	VR C	CE04W6.3V-470M(VR)	1	394624717T	
C911	C-CERA C	CC725CH1H-102J1	1	342101024R1	NSP <B CMDC, B CMPP>
C921	C-CERA C	CK725B1H-223K1	1	332102235R1	NSP
C922	VR C	CE04W25V-2200M(VR)	1	394652227S	
C930	UTSP C	CE04W50V-100M(UTSP)	1	397581017T	
C933	UTSP C	CE04W50V-4.7M(UTSP)	1	397580477T	

[RESISTOR]

R2001	C-CARBON R	RN72K1J-220JE	1	435032204R1	NSP	<B CMDC, B CMPP>
R2002	C-CARBON R	RN72K1J-220JE	1	435032204R1	NSP	<B CMDC, B CMPP>
R2003	C-CARBON R	RN72K1J-105JE	1	435031054R1	NSP	<B CMDC, B CMPP>
R2030	C-CARBON R	RN72K1J-224JE	1	435032244R1	NSP	<B CMDC, B CMPP>
R2032	C-CARBON R	RN72K1J-224JE	1	435032244R1	NSP	<B CMDC, B CMPP>
R2101	C-CARBON R	RN72K1J-750JE	1	435037504R1	NSP	<B CMDC, B CMPP>
R2102	C-CARBON R	RN72K1J-750JE	1	435037504R1	NSP	
R2103	C-CARBON R	RN72K1J-750JE	1	435037504R1	NSP	
R2104	C-CARBON R	RN72K1J-750JE	1	435037504R1	NSP	
R2105	C-CARBON R	RN72K1J-750JE	1	435037504R1	NSP	
R2106	C-CARBON R	RN72K1J-750JE	1	435037504R1	NSP	
R2107	C-CARBON R	RN72K1J-750JE	1	435037504R1	NSP	
R2108	C-CARBON R	RN72K1J-750JE	1	435037504R1	NSP	
R2109	C-CARBON R	RN72K1J-750JE	1	435037504R1	NSP	
R2110	C-CARBON R	RN72K1J-750JE	1	435037504R1	NSP	
R2111	C-CARBON R	RN72K1J-750JE	1	435037504R1	NSP	
R2112	C-CARBON R	RN72K1J-750JE	1	435037504R1	NSP	
R2113	C-CARBON R	RN72K1J-750JE	1	435037504R1	NSP	
R2114	C-CARBON R	RN72K1J-750JE	1	435037504R1	NSP	
R2115	C-CARBON R	RN72K1J-750JE	1	435037504R1	NSP	
R2116	C-CARBON R	RN72K1J-750JE	1	435037504R1	NSP	
R2117	C-CARBON R	RN72K1J-000JE	1	435030004R1	NSP	<B CMDC, B CMPP>
R2118	C-CARBON R	RN72K1J-000JE	1	435030004R1	NSP	<B CMDC, B CMPP>
R2119	C-CARBON R	RN72K1J-000JE	1	435030004R1	NSP	<B CMDC, B CMPP>
R2155	C-CARBON R	RN72K1J-000JE	1	435030004R1	NSP	
R2156	C-CARBON R	RN72K1J-000JE	1	435030004R1	NSP	
R2157	C-CARBON R	RN72K1J-000JE	1	435030004R1	NSP	
R7001	C-CARBON R	RN72K1J-103JE	1	435031034R1	NSP	
R7002	C-CARBON R	RN72K1J-332JE	1	435033324R1	NSP	
R7003	C-CARBON R	RN72K1J-332JE	1	435033324R1	NSP	
R7004	C-CARBON R	RN72K1J-221JE	1	435032214R1	NSP	
R7005	C-CARBON R	RN72K1J-221JE	1	435032214R1	NSP	
R7006	C-CARBON R	RN72K1J-103JE	1	435031034R1	NSP	
R7007	C-CARBON R	RN72K1J-221JE	1	435032214R1	NSP	
R7008	C-CARBON R	RN72K1J-221JE	1	435032214R1	NSP	
R7021	C-CARBON R	RN72K1J-103JE	1	435031034R1	NSP	
R7022	C-CARBON R	RN72K1J-103JE	1	435031034R1	NSP	
R7023	C-CARBON R	RN72K1J-103JE	1	435031034R1	NSP	
R7024	C-CARBON R	RN72K1J-103JE	1	435031034R1	NSP	
R7033	C-CARBON R	RN72K1J-820JE	1	435038204R1	NSP	
R7041	C-CARBON R	RN72K1J-101JE	1	435031014R1	NSP	
R7042	C-CARBON R	RN72K1J-102JE	1	435031024R1	NSP	
R7101	C-CARBON R	RN72K1J-271JE	1	435032714R1	NSP	

R7102	C-CARBON R	RN72K1J-331JE	1	435033314R1	NSP
R7103	C-CARBON R	RN72K1J-471JE	1	435034714R1	NSP
R7106	C-CARBON R	RN72K1J-271JE	1	435032714R1	NSP <B CMDC, B CMPP>
R7107	C-CARBON R	RN72K1J-331JE	1	435033314R1	NSP <B CMDC, B CMPP>
R7108	C-CARBON R	RN72K1J-471JE	1	435034714R1	NSP <B CMDC, B CMPP>
R7109	C-CARBON R	RN72K1J-561JE	1	435035614R1	NSP <B CMDC, B CMPP>
R7110	C-CARBON R	RN72K1J-821JE	1	435038214R1	NSP <B CMDC, B CMPP>
R7111	C-CARBON R	RN72K1J-122JE	1	435031224R1	NSP
R7112	C-CARBON R	RN72K1J-222JE	1	435032224R1	NSP
R7113	C-CARBON R	RN72K1J-392JE	1	435033924R1	NSP
R7114	C-CARBON R	RN72K1J-123JE	1	435031234R1	NSP
R7115	C-CARBON R	RN72K1J-271JE	1	435032714R1	NSP
R7116	C-CARBON R	RN72K1J-331JE	1	435033314R1	NSP
R7117	C-CARBON R	RN72K1J-471JE	1	435034714R1	NSP
R7118	C-CARBON R	RN72K1J-561JE	1	435035614R1	NSP
R7119	C-CARBON R	RN72K1J-821JE	1	435038214R1	NSP
R7120	C-CARBON R	RN72K1J-122JE	1	435031224R1	NSP
R7121	C-CARBON R	RN72K1J-222JE	1	435032224R1	NSP
R7122	C-CARBON R	RN72K1J-392JE	1	435033924R1	NSP
R7123	C-CARBON R	RN72K1J-271JE	1	435032714R1	NSP
R7124	C-CARBON R	RN72K1J-331JE	1	435033314R1	NSP
R7125	C-CARBON R	RN72K1J-471JE	1	435034714R1	NSP
R7126	C-CARBON R	RN72K1J-561JE	1	435035614R1	NSP
R7127	C-CARBON R	RN72K1J-821JE	1	435038214R1	NSP
R7128	C-CARBON R	RN72K1J-122JE	1	435031224R1	NSP
R7129	C-CARBON R	RN72K1J-222JE	1	435032224R1	NSP
R7130	C-CARBON R	RN72K1J-000JE	1	435030004R1	NSP <B CMDC, B CMPP>
R7151	C-CARBON R	RN72K1J-222JE	1	435032224R1	NSP
R7152	C-CARBON R	RN72K1J-222JE	1	435032224R1	NSP
R7153	C-CARBON R	RN72K1J-181JE	1	435031814R1	NSP <B CMDC, B CMPP>
R7301	C-CARBON R	RN72K1J-331JE	1	435033314R1	NSP
R7302	C-CARBON R	RN72K1J-331JE	1	435033314R1	NSP
R7304	C-CARBON R	RN72K1J-000JE	1	435030004R1	NSP <B CMDC, B CMPP>
R7401	C-CARBON R	RN72K1J-101JE	1	435031014R1	NSP <B CMDC, B CMPP>
R7402	C-CARBON R	RN72K1J-224JE	1	435032244R1	NSP <B CMDC, B CMPP>
R7403	C-CARBON R	RN72K1J-472JE	1	435034724R1	NSP <B CMDC, B CMPP>
R7404	C-CARBON R	RN72K1J-221JE	1	435032214R1	NSP <B CMDC, B CMPP>
R7405	C-CARBON R	RN72K1J-473JE	1	435034734R1	NSP <B CMDC, B CMPP>
R7406	C-CARBON R	RN72K1J-331JE	1	435033314R1	NSP <B CMDC, B CMPP>
R7407	C-CARBON R	RN72K1J-102JE	1	435031024R1	NSP <B CMDC, B CMPP>
R7408	C-CARBON R	RN72K1J-333JE	1	435033334R1	NSP <B CMDC, B CMPP>
R7409	C-CARBON R	RN72K1J-221JE	1	435032214R1	NSP <B CMDC, B CMPP>
R7410	C-CARBON R	RN72K1J-221JE	1	435032214R1	NSP <B CMDC, B CMPP>

R7411	C-CARBON R	RN72K1J-471JE	1	435034714R1	NSP	<B CMDC, B CMPP>
R7412	C-CARBON R	RN72K1J-471JE	1	435034714R1	NSP	<B CMDC, B CMPP>
R7413	C-CARBON R	RN72K1J-224JE	1	435032244R1	NSP	<B CMDC, B CMPP>
R7414	C-CARBON R	RN72K1J-104JE	1	435031044R1	NSP	<B CMDC, B CMPP>
R7415	C-CARBON R	RN72K1J-000JE	1	435030004R1	NSP	<B CMDC, B CMPP>
R7420	C-CARBON R	RN72K1J-473JE	1	435034734R1	NSP	<B CMDC, B CMPP>
R9012	METAL R	RNU1/2WCJ-1	1	453530104T		
R9013	METAL R	RNU1/2WCJ-1	1	453530104T		
R9014	C-CARBON R	RN72K1J-104JE	1	435031044R1	NSP	
R9020	METAL O R	RS1WBJ-8.2	1	441620824F		
R9021	METAL O R	RS1WBJ-8.2	1	441620824F		
R9022	METAL R	RNU1/2WCJ-1	1	453530104T		
R9031	METAL R	RNU2WCJ-3.3	1	452730334F		
R9032	METAL R	RNU2WCJ-3.3	1	452730334F		
R9033	METAL R	RNU1/2WCJ-1	1	453530104T		
R921	METAL O R	RS1/2WBJ-47	1	443524704T		
R934	C-CARBON R	RN72K1J-104JE	1	435031044R1	NSP	
[SW TRM]						
E7201	TRM-423(SCREW)	NEJITANSI ST3	1	25060495	NSP	<B CMDC, B CMPP>
E7301A	RETAINER	(EARTH)	1	27142136B	NSP	<B CMDC, B CMPP>
E9001	TRM-423(SCREW)	NEJITANSI ST3	1	25060495	NSP	
E9002	RETAINER	(JOINT)	1	27142069	NSP	<B CMDC, B CMPP>
E9003	TRM-423(SCREW)	NEJITANSI ST3	1	25060495	NSP	
E901	TRM-423(SCREW)	NEJITANSI ST3	1	25060495	NSP	
E902	TRM-423(SCREW)	NEJITANSI ST3	1	25060495	NSP	
F9001	FUSE	5A-UL-125V	1	252385T	!	<B CMDC, B CMPP>
F901C	FUSE HOL	NSCT-1P2031	1	25052133T		<B CMDC, B CMPP>
F901D	FUSE HOL	NSCT-1P2031	1	25052133T		<B CMDC, B CMPP>
F901E	LABEL	LABEL	1	29360842		<B CMDC>
F901E	LABEL	T4AL250V	1	29361732A		<B CMPP>
JL503B	WIRE TRAP	NPLG-3P586	1	25055624		<B CMDC, B CMPP>
JL605A	WIRE HOL	NSCT-5P896	1	25051109		
JL702A	WIRE HOL	NSCT-9P880	1	25051093		
JL702B	WIRE HOL	NSCT-9P880	1	25051093		
JL801A	WIRE HOL	NSCT-5P876	1	25051089		
JL901A	WIRE HOL	NSCT-5P876	1	25051089		
JL952B	SOCKET	NSCT-3P95	1	25050267		
JL953A	WIRE HOL	NSCT-5P876	1	25051089		
P2001B	PLUG	MSA-9142B-24A	1	25056602		
P2002A	PLUG	NPLG-15P0970	1	25056020		<B CMDC, B CMPP>
P2201	PIN JACK	NPJ-3PDYYY560	1	25045778		
P2202	PIN JACK	NPJ-3PDYYY560	1	25045778		
P2203	PIN JACK	NPJ-9PDGLRGLRGLR563	1	25045781		

P2203 or	PIN JACK	NPJ-9PDGLR519	(1)	25045731	
P2801A	SOCKET	NSCT-9P2102	1	25052205	<B CMDC, B CMPP>
P701B	SOCKET	NSCT-31P2161	1	25052264	
P7201	ST JACK	MSJ-064-05A SR	1	25045783	
P7201 or	ST JACK	YKB21-5005	(1)	25045724	
P7301	PIN JACK	NPJ-3PDB693	1	25045925	<B CMDC, B CMPP>
P7311	ST JACK	MSJ-035-05A BAG SR LF	1	25045927	<B CMDC, B CMPP>
P7401	ST JACK	MSJ-035-05C B AG SR type	1	25045879	<B CMDC, B CMPP>
P901A	PLUG	NPLG-2P631	1	25055675	
P901A or	PLUG	1-1123724-2	(1)	25056402	
P911	PLUG	NPLG-2P631	1	25055675	
P911 or	PLUG	1-1123724-2	(1)	25056402	
RL901	RELAY	NRL-1P5A-DC9-179	1	25065669	<B CMDC, B CMPP>
S7002	R ENCODE	EC12E2425WITH WASHER	1	25065655W	
S7102	PUSH SW	NPS-111-S681	1	25035718T	
S7104	PUSH SW	NPS-111-S681	1	25035718T	<B CMDC, B CMPP>
S7106	PUSH SW	NPS-111-S681	1	25035718T	
S7108	PUSH SW	NPS-111-S681	1	25035718T	
S7113	PUSH SW	NPS-111-S681	1	25035718T	<B CMDC, B CMPP>
S7115	PUSH SW	NPS-111-S681	1	25035718T	<B CMDC, B CMPP>
S7117	PUSH SW	NPS-111-S681	1	25035718T	<B CMDC, B CMPP>
S7119	PUSH SW	NPS-111-S681	1	25035718T	<B CMDC, B CMPP>
S7123	PUSH SW	NPS-111-S681	1	25035718T	<B CMDC, B CMPP>
S7125	PUSH SW	NPS-111-S681	1	25035718T	<B CMDC, B CMPP>
S7127	PUSH SW	NPS-111-S681	1	25035718T	<B CMDC, B CMPP>
S7129	PUSH SW	NPS-111-S681	1	25035718T	<B CMDC, B CMPP>
S7132	PUSH SW	NPS-111-S681	1	25035718T	
S7134	PUSH SW	NPS-111-S681	1	25035718T	
S7136	PUSH SW	NPS-111-S681	1	25035718T	
S7138	PUSH SW	NPS-111-S681	1	25035718T	
S7140	PUSH SW	NPS-111-S681	1	25035718T	
S7142	PUSH SW	NPS-111-S681	1	25035718T	
S7144	PUSH SW	NPS-111-S681	1	25035718T	
S7146	PUSH SW	NPS-111-S681	1	25035718T	
S7148	PUSH SW	NPS-111-S681	1	25035718T	
S7150	PUSH SW	NPS-111-S681	1	25035718T	
S7152	PUSH SW	NPS-111-S681	1	25035718T	
S7154	PUSH SW	NPS-111-S681	1	25035718T	
S7156	PUSH SW	NPS-111-S681	1	25035718T	
S7158	PUSH SW	NPS-111-S681	1	25035718T	
S7160	PUSH SW	NPS-111-S681	1	25035718T	
S7162	PUSH SW	NPS-111-S681	1	25035718T	
S7164	PUSH SW	NPS-111-S681	1	25035718T	

[TUNER UNIT]

U7041	REMO SENS	KSM-603TE5B	1	24130019	
-------	-----------	-------------	---	----------	--

HT-R980**PC BOARD PARTS LIST**

U006	TRM-AS(SP Terminal Asy) U0060+U0064	BATRM-0368-1A *	1	1B247568-1A	<B CMDC>
U006	TRM-AS(SP Terminal Asy) U0060+U0065	BATRM-0368-1B *	1	1B247568-1B	<B CMPP>
U0060	TRM-AS(SP Terminal Asy)	BATRM-0368-1A	1	1B2475368-1A	<B CMDC>
U0060	TRM-AS(SP Terminal Asy)	BATRM-0368-1B	1	1B2475368-1B	<B CMPP>
U0064	PWB(other use)	BAETC-0372-1A	1	1B2475372-1A	N <B CMDC>
U0064	PWB(other use)	BAETC-0372-1B	1	1B2475372-1B	N <B CMPP>

CIRCUIT	PART NAME	DESCRIPTION	Q'TY	PART NO. (SN)	REMARKS
---------	-----------	-------------	------	---------------	---------

[SEMI CONDUCTOR]

D6600	DIODE	1SS133	1	223163T	
D6603	DIODE	1SS133	1	223163T	
D6605	DIODE	1SS133	1	223163T	<B CMDC, B CMPP>
D6607	DIODE	1SS133	1	223163T	<B CMDC, B CMPP>
Q6601	TR	KRC105M	1	2215830T	
Q6601 or	TR	RN1205	(1)	2214660T	
Q6602	TR	KRC105M	1	2215830T	
Q6602 or	TR	RN1205	(1)	2214660T	
Q6603	TR	KRC105M	1	2215830T	<B CMDC, B CMPP>
Q6603 or	TR	RN1205	(1)	2214660T	<B CMDC, B CMPP>
Q6604	TR	KRC105M	1	2215830T	<B CMDC, B CMPP>
Q6604 or	TR	RN1205	(1)	2214660T	<B CMDC, B CMPP>

[TRANS COIL]

L6600	S COIL	SC-0.8X11.5X12.5T-6.5L	1	231393S	<B CMPP>
L6601	S COIL	SC-0.8X11.5X12.5T-6.5L	1	231393S	<B CMPP>
L6602	S COIL	SC-0.8X11.5X12.5T-6.5L	1	231393S	<B CMPP>
L6603	S COIL	SC-0.8X11.5X12.5T-6.5L	1	231393S	<B CMPP>
L6604	S COIL	SC-0.8X11.5X12.5T-6.5L	1	231393S	<B CMPP>
L6605	S COIL	SC-0.8X11.5X12.5T-6.5L	1	231393S	<B CMPP>
L6606	S COIL	SC-0.8X11.5X12.5T-6.5L	1	231393S	<B CMPP>

[CAPACITOR]

C6600	TF C	ECQ-V50V-103J	1	374721034T	
C6602	TF C	ECQ-V50V-103J	1	374721034T	
C6603	TF C	ECQ-V50V-103J	1	374721034T	
C6605	TF C	ECQ-V50V-103J	1	374721034T	<B CMDC, B CMPP>
C6607	TF C	ECQ-V50V-103J	1	374721034T	<B CMDC, B CMPP>
C6640	TF C	ECQ-V50V-103J	1	374721034T	<B CMPP>

C6641	TF C	ECQ-V50V-103J	1	374721034T	<B CMPP>
C6642	TF C	ECQ-V50V-103J	1	374721034T	<B CMPP>
C6643	TF C	ECQ-V50V-103J	1	374721034T	<B CMPP>
C6644	TF C	ECQ-V50V-103J	1	374721034T	<B CMPP>
C6645	TF C	ECQ-V50V-103J	1	374721034T	<B CMPP>
C6646	TF C	ECQ-V50V-103J	1	374721034T	<B CMPP>
C6650	MKT C	B32529C0102J289	1	376491024T	<B CMPP>
C6651	MKT C	B32529C0102J289	1	376491024T	<B CMPP>
C6652	MKT C	B32529C0102J289	1	376491024T	<B CMPP>
C6653	MKT C	B32529C0102J289	1	376491024T	<B CMPP>
C6654	MKT C	B32529C0102J289	1	376491024T	<B CMPP>
C6655	MKT C	B32529C0102J289	1	376491024T	<B CMPP>
C6656	MKT C	B32529C0102J289	1	376491024T	<B CMPP>
[RESISTOR]					
R6600	CARBON R	R16J-22	1	417342204T	<B CMPP>
R6601	CARBON R	R16J-22	1	417342204T	<B CMPP>
R6602	CARBON R	R16J-22	1	417342204T	<B CMPP>
R6603	CARBON R	R16J-22	1	417342204T	<B CMPP>
R6604	CARBON R	R16J-22	1	417342204T	<B CMPP>
R6605	CARBON R	R16J-22	1	417342204T	<B CMPP>
R6606	CARBON R	R16J-22	1	417342204T	<B CMPP>
R6610	CARBON R	R16J-22	1	417342204T	<B CMPP>
R6611	CARBON R	R16J-22	1	417342204T	<B CMPP>
R6612	CARBON R	R16J-22	1	417342204T	<B CMPP>
R6613	CARBON R	R16J-22	1	417342204T	<B CMPP>
R6614	CARBON R	R16J-22	1	417342204T	<B CMPP>
R6615	CARBON R	R16J-22	1	417342204T	<B CMPP>
R6616	CARBON R	R16J-22	1	417342204T	<B CMPP>
R6690	METAL O R	RS1/2WBJ-10	1	443521004T	<B CMDC, B CMPP>
R6691	METAL O R	RS1/2WBJ-390	1	443523914T	
R6692	METAL O R	RS1/2WBJ-390	1	443523914T	
[SW TRM]					
JL600B	SOCKET	NSCT-7P99	1	25050271	
JL603B	SOCKET	NSCT-9P101	1	25050273	
JL604B	SOCKET	NSCT-5P97	1	25050269	<B CMDC, B CMPP>
JL605B	SOCKET	NSCT-5P97	1	25050269	
JL610A	WIRE HOL	NSCT-7P878	1	25051091	
P6601	TRM	NTM-2PDMCR400	1	25060472	
P6602	TRM	NTM-4PDMNRR420	1	25060492	
P6603	TRM	NTM-4PDMNRR420	1	25060492	
P6604	TRM	NTM-4PDMNRR420	1	25060492	<B CMDC, B CMPP>
RL6600	RELAY	NRL-2P5A-DC24-129	1	25065563A	
RL6600	RELAY	NRL-2P5A-DC24-193	(1)	25065703	

RL6602	RELAY	NRL-2P5A-DC24-129	1	25065563A	
RL6602 or	RELAY	NRL-2P5A-DC24-193	(1)	25065703	
RL6603	RELAY	NRL-2P5A-DC24-129	1	25065563A	
RL6603 or	RELAY	NRL-2P5A-DC24-193	(1)	25065703	
RL6605	RELAY	NRL-2P5A-DC24-129	1	25065563A	<B CMDC, B CMPP>
RL6605 or	RELAY	NRL-2P5A-DC24-193	(1)	25065703	<B CMDC, B CMPP>
RL6607	RELAY	NRL-2P5A-DC24-129	1	25065563A	<B CMDC, B CMPP>
RL6607 or	RELAY	NRL-2P5A-DC24-193	(1)	25065703	<B CMDC, B CMPP>

HT-R980

PC BOARD PARTS LIST

U007	HDM-AS(HDMI Asy)	BAHDM-0403-1A *	1	1B247503-1A	
------	------------------	-----------------	---	-------------	--

CIRCUIT	PART NAME	DESCRIPTION	QTY	PART NO. (SN)	REMARKS
[SEMI CONDUCTOR]					
D8161	ZENER D	UDZS3.6B	1	224550360R2	
D8204	DIODE	DAN217T146	1	223285R2	
D8204 or	C-DIODE	1SS226(TE85L_F)	(1)	223266R2	NSP
D8205	DIODE	DAN217T146	1	223285R2	
D8205 or	C-DIODE	1SS226(TE85L_F)	(1)	223266R2	NSP
D8301	DIODE	DAN217T146	1	223285R2	
D8301 or	C-DIODE	1SS226(TE85L_F)	(1)	223266R2	NSP
D8302	C-DIODE	KDS4148U	1	223283R2	NSP
D8302 or	C-DIODE	1SS352	(1)	223234R2	NSP
D8302 or	C-DIODE	MA2J111	(1)	223279R2	NSP
D8302 or	C-DIODE	MA2J1110GL	(1)	223302R2	NSP
D8701	C-DIODE	KDS4148U	1	223283R2	NSP
D8701 or	C-DIODE	1SS352	(1)	223234R2	NSP
D8701 or	C-DIODE	MA2J111	(1)	223279R2	NSP
D8701 or	C-DIODE	MA2J1110GL	(1)	223302R2	NSP
D8901	C-DIODE	KDS4148U	1	223283R2	NSP
D8901 or	C-DIODE	1SS352	(1)	223234R2	NSP
D8901 or	C-DIODE	MA2J111	(1)	223279R2	NSP
D8901 or	C-DIODE	MA2J1110GL	(1)	223302R2	NSP
D8902	C-DIODE	KDS4148U	1	223283R2	NSP
D8902 or	C-DIODE	1SS352	(1)	223234R2	NSP
D8902 or	C-DIODE	MA2J111	(1)	223279R2	NSP
D8902 or	C-DIODE	MA2J1110GL	(1)	223302R2	NSP
D8903	C-DIODE	KDS4148U	1	223283R2	NSP
D8903 or	C-DIODE	1SS352	(1)	223234R2	NSP
D8903 or	C-DIODE	MA2J111	(1)	223279R2	NSP
D8903 or	C-DIODE	MA2J1110GL	(1)	223302R2	NSP

D8904	C-DIODE	KDS4148U	1	223283R2	NSP
D8904 or	C-DIODE	SS352	(1)	223234R2	NSP
D8904 or	C-DIODE	MA2J111	(1)	223279R2	NSP
D8904 or	C-DIODE	MA2J1110GL	(1)	223302R2	NSP
D8906	DIODE	RB070M-30	1	22380361R2	
D8906 or	C-DIODE	CRS09(TE85L_Q)	(1)	223274R2	NSP
D8951	DIODE	XBS303V17R	1	22380365R2	N
D8952	DIODE	XBS303V17R	1	22380365R2	N
Q201	IC	D788E001BRFP266Z	1	22242502R3	
Q203	IC	TC7WU04FU(TE12L_F)	1	22240935R2	
Q205	IC	TC74VHC157FT	1	22274157ER2TO	
Q273	IC	XC6220B121PR	1	22242626R2	
Q281	IC	K4S641632N-LC60	1	22242603R2	
Q281 or	IC	EM638165TS-7G	(1)	22242607R2	
Q282	IC (DSP, Flash memory)	ES29LV160ET(03736)	1	222W0069R303736	
Q282 or	IC (DSP, Flash memory)	S29AL016J70(03736)	(1)	222W0100R303736	
Q282 or	IC (DSP, Flash memory)	ES29LV160FT7(03736)	(1)	222W0101R303736	
Q282 or	IC (DSP, Flash memory)	MX29LV160D(03736)	(1)	222W0104R303736	
Q8051	IC	NT5TU32M16CG-25C	1	22242635R3	N
Q8052	IC	NT5TU32M16CG-25C	1	22242635R3	N
Q8161	IC	SI9389CTU	1	22242628R3	N
Q8162	TR	RN2401(TE85L_F)	1	2214520R2	
Q8200	IC	FLI32626H-AE	1	22242634R3	N
Q8201	IC	BR24S32FJ-WE2	1	22242569R2	
Q8201 or	IC	M24C32-WMN6TP	(1)	22242644R2	N
Q8201 or	IC	R1EX24032ASAS0A	(1)	22242668R2	N
Q8206	IC (VSP sequoia, Flash memory)	AT25DF641S3(0355)	1	222W0110R20355	N
Q8207	IC	TC74LCX125FT(EL_K)	1	22274125BR2TO	
Q8305	IC	S-812C50BUC-C5ET2G	1	22242407R2	
Q8306	IC	NC7SZ08P5X_F042	1	22242482R2	
Q8306 or	IC	TC7SZ08FU(TE85L_F)	(1)	22242071R2TO	
Q8401	IC	SI9136CTU	1	22242630R3	N
Q8402	IC	TC7WHU04FU(TE12L)	1	22242231R2	
Q8501	IC	SI9233ACTU	1	22242582R3	
Q8701	IC (VMPIU)	MPD70F3740GC(03545)	1	222W0096R303545	
Q8801	IC	TC74VCX162827	1	22242395R2	
Q8802	IC	TC74VCX162827	1	22242395R2	
Q8803	IC	TC74VCX162827	1	22242395R2	
Q8804	IC	TC74VCX162827	1	22242395R2	
Q8805	TR	DTC144EE	1	2216390R2	
Q8805 or	TR	KRC404E	(1)	2216450R2	
Q8806	IC	TC74VCX162827	1	22242395R2	
Q8807	IC	TC74VCX162827	1	22242395R2	

Q8901	IC	TC74VHCT08AFT	1	22274008GR2TO		
Q8901 or	IC	TC74VHCT08AFT (EKJ)	(1)	22274008G1R2TO		
Q8902	IC	NC7SZ08P5X_F042	1	22242482R2		
Q8903	IC	S-812C50BUC-C5ET2G	1	22242407R2		
Q8904	IC	XC6221B332MR	1	22242633R2	N	
Q8905	IC	XC6221B122MR	1	22242631R2	N	
Q8907	IC	CM3202-02DE	1	22242641R2	N	
Q8951	IC	MP2363DN-LF-Z	1	22242627R2		
Q8961	IC	MP2363DN-LF-Z	1	22242627R2		
[TRANS COIL]						
L201	CORE	BLM18PG181SN1D	1	2350005R1		
L202	CORE	BLM18PG121SN1D	1	2350006R1		
L203	C-CARBON R	RN72K1J-000JE	1	435030004R1		
L204	EMIFIL	BK1608LM182-T	1	230958R1		
L205	CORE	BLM18PG181SN1D	1	2350005R1		
L206	EMIFIL	BK1608LM182-T	1	230958R1		
L207	CORE	BLM18PG181SN1D	1	2350005R1		
L241	CORE	NFM18PC105R0J3D	1	2350014R1		
L251	CORE	BLM18PG181SN1D	1	2350005R1		
L261	EMIFIL	BK1608LM182-T	1	230958R1		
L282	CORE	BLM18PG181SN1D	1	2350005R1		
L8001	CORE	BLM18PG181SN1D	1	2350005R1		
L8004	CORE	BLM18PG181SN1D	1	2350005R1		
L8006	CORE	BLM18PG181SN1D	1	2350005R1		
L8007	CORE	BLM18PG181SN1D	1	2350005R1		
L8161	CORE	BLM18PG181SN1D	1	2350005R1		
L8162	CORE	BLM18PG181SN1D	1	2350005R1		
L8163	CORE	BLM18PG181SN1D	1	2350005R1		
L8164	CORE	BLM18PG181SN1D	1	2350005R1		
L8166	CORE	BLM18PG181SN1D	1	2350005R1		
L8200	CORE	BLM18PG181SN1D	1	2350005R1		
L8201	CORE	BLM18PG181SN1D	1	2350005R1		
L8202	CORE	BLM18PG181SN1D	1	2350005R1		
L8203	CORE	BLM18PG181SN1D	1	2350005R1		
L8204	CORE	BLM18PG181SN1D	1	2350005R1		
L8205	CORE	BLM18PG181SN1D	1	2350005R1		
L8206	CORE	BLM18PG181SN1D	1	2350005R1		
L8207	CORE	BLM18PG121SN1D	1	2350006R1		
L8208	CORE	BLM18PG181SN1D	1	2350005R1		
L8209	CORE	BLM18PG181SN1D	1	2350005R1		
L8210	CORE	BLM18PG181SN1D	1	2350005R1		
L8211	CORE	BLM18PG181SN1D	1	2350005R1		
L8212	CORE	BLM18PG181SN1D	1	2350005R1		

L8213	CORE	BLM18PG181SN1D	1	2350005R1	
L8214	CORE	BLM18PG181SN1D	1	2350005R1	
L8215	C-CARBON R	RN72K1J-000JE	1	435030004R1	NSP
L8216	CORE	BLM18PG181SN1D	1	2350005R1	
L8217	CORE	BLM18PG181SN1D	1	2350005R1	
L8218	CORE	BLM18PG181SN1D	1	2350005R1	
L8301	CORE	BLM18PG181SN1D	1	2350005R1	
L8401	CORE	BLM18PG181SN1D	1	2350005R1	
L8402	CORE	BLM18PG181SN1D	1	2350005R1	
L8403	CORE	BLM18PG181SN1D	1	2350005R1	
L8404	CORE	BLM18PG181SN1D	1	2350005R1	
L8406	C-R NET	MNR12E0APJ000	1	43464900002R2	
L8407	C-R NET	MNR12E0APJ000	1	43464900002R2	
L8409	C-R NET	MNR12E0APJ000	1	43464900002R2	
L8410	C-R NET	MNR12E0APJ000	1	43464900002R2	
L8501	CORE	BLM18PG181SN1D	1	2350005R1	
L8502	CORE	BLM18PG181SN1D	1	2350005R1	
L8503	CORE	BLM18PG181SN1D	1	2350005R1	
L8504	CORE	BLM18PG181SN1D	1	2350005R1	
L8505	CORE	BLM18PG181SN1D	1	2350005R1	
L8506	CORE	BLM18PG181SN1D	1	2350005R1	
L8561	CORE	BLM18PG181SN1D	1	2350005R1	
L8608	EMIFIL	BK1608LM182-T	1	230958R1	
L8701	CORE	BLM18PG181SN1D	1	2350005R1	
L8801	CORE	BLM18PG181SN1D	1	2350005R1	
L8901	CHOKE COIL	BLM21PG221SN1	1	230949R2	
L8951	CHOKE COIL	BLM21PG221SN1	1	230949R2	
L8952	CHOKE COIL	0182-7E08Q-100M-RA	1	231396M100R2	
L8953	CHOKE COIL	BLM21PG221SN1	1	230949R2	
L8954	CHOKE COIL	BLM21PG221SN1	1	230949R2	
L8955	CORE	BLM18PG181SN1D	1	2350005R1	
L8961	CHOKE COIL	BLM21PG221SN1	1	230949R2	
L8962	CHOKE COIL	0182-7E08Q-100M-RA	1	231396M100R2	
L8963	CHOKE COIL	BLM21PG221SN1	1	230949R2	
L8964	CHOKE COIL	BLM21PG221SN1	1	230949R2	
X201	CRYSTAL	HC-49USSMD17.734MHz	1	3010488R2	N
X8200	CRYSTAL	HC-49USSMD19.6608MHz	1	3010489R2	N
X8501	CRYSTAL	DSX321G-27MHz	1	3010487R2	N
X8701	CERA LOCK	CSTCR5M00G53-B0	1	3010356R2	
[CAPACITOR]					
C201	C-CERA C	CK725F1E-104Z1	1	332161040R1	NSP
C202	C-CERA C	CK725B1H-102K1	1	332101025R1	NSP
C203	C-CERA C	CK725F1E-104Z1	1	332161040R1	NSP

C204	C-CERA C	CK725B1H-102K1	1	332101025R1	NSP
C205	C-CERA C	CK725F1E-104Z1	1	332161040R1	NSP
C206	C-CERA C	CK725B1H-102K1	1	332101025R1	NSP
C207	C-CERA C	CK725F1E-104Z1	1	332161040R1	NSP
C208	C-CERA C	CK725B1H-102K1	1	332101025R1	NSP
C209	C-CERA C	CK725F1E-104Z1	1	332161040R1	NSP
C210	C-CERA C	CK725B1H-102K1	1	332101025R1	NSP
C211	C-CERA C	CK725F1E-104Z1	1	332161040R1	NSP
C212	C-CERA C	CK725B1H-102K1	1	332101025R1	NSP
C213	C-CERA C	CK725F1E-104Z1	1	332161040R1	NSP
C215	C-CERA C	CK725B1H-102K1	1	332101025R1	NSP
C216	C-CERA C	CK725F1E-104Z1	1	332161040R1	NSP
C217	C-CERA C	CK725B1H-102K1	1	332101025R1	NSP
C218	C-CERA C	CK725F1E-104Z1	1	332161040R1	NSP
C219	C-CERA C	CK725B1H-102K1	1	332101025R1	NSP
C220	C-CERA C	CK725F1E-104Z1	1	332161040R1	NSP
C221	C-CERA C	CK725B1H-102K1	1	332101025R1	NSP
C222	C-CERA C	CK725F1E-104Z1	1	332161040R1	NSP
C223	C-CERA C	CK725B1H-102K1	1	332101025R1	NSP
C224	C-CERA C	CK725F1E-104Z1	1	332161040R1	NSP
C225	C-CERA C	CK725B1H-102K1	1	332101025R1	NSP
C226	C-CERA C	CK725F1E-104Z1	1	332161040R1	NSP
C227	C-CERA C	CK725B1H-102K1	1	332101025R1	NSP
C228	C-CERA C	CK725F1E-104Z1	1	332161040R1	NSP
C229	C-CERA C	CK725B1H-102K1	1	332101025R1	NSP
C230	C-CERA C	CK725F1E-104Z1	1	332161040R1	NSP
C231	C-CERA C	CK725B0J-106K	1	332091065R2	NSP
C234	C-CERA C	CK725B0J-106K	1	332091065R2	NSP
C238	C-CERA C	CC725CH1H-100D1	1	342101002R1	NSP
C239	C-CERA C	CC725CH1H-100D1	1	342101002R1	NSP
C241	C-CERA C	CK725B0J-106K	1	332091065R2	NSP
C242	C-CERA C	CK725F1E-104Z1	1	332161040R1	NSP
C243	C-CERA C	CC725CH1H-101J1	1	342101014R1	NSP
C244	C-CERA C	CK725F1E-104Z1	1	332161040R1	NSP
C245	C-CERA C	CK725F1A-105Z1	1	332181050R1	NSP
C246	C-CERA C	CK725B0J-106K	1	332091065R2	NSP
C247	C-CERA C	CK725B0J-106K	1	332091065R2	NSP
C251	C-CERA C	CK725F1E-104Z1	1	332161040R1	NSP
C252	C-CERA C	CK725B1H-102K1	1	332101025R1	NSP
C253	C-CERA C	CK725B0J-106K	1	332091065R2	NSP
C276	C-CERA C	CK725B0J-106K	1	332091065R2	NSP
C277	C-CERA C	CK725B0J-106K	1	332091065R2	NSP
C278	C-CERA C	CK725B0J-106K	1	332091065R2	NSP

C279	C-CERA C	CK725F1E-104Z1	1	332161040R1	NSP
C280	C-CERA C	CK725B0J-106K	1	332091065R2	NSP
C281	C-CERA C	CK725B0J-106K	1	332091065R2	NSP
C282	C-CERA C	CK725F1E-104Z1	1	332161040R1	NSP
C283	C-CERA C	CC725CH1H-102J1	1	342101024R1	NSP
C284	C-CERA C	CK725B0J-106K	1	332091065R2	NSP
C285	C-CERA C	CK725F1E-104Z1	1	332161040R1	NSP
C286	C-CERA C	CK725B1H-102K1	1	332101025R1	NSP
C287	C-CERA C	CK725F1E-104Z1	1	332161040R1	NSP
C288	C-CERA C	CK725B1H-102K1	1	332101025R1	NSP
C289	C-CERA C	CK725F1E-104Z1	1	332161040R1	NSP
C290	C-CERA C	CK725B1H-102K1	1	332101025R1	NSP
C291	C-CERA C	CK725F1E-104Z1	1	332161040R1	NSP
C292	C-CERA C	CK725B1H-102K1	1	332101025R1	NSP
C8000	C-CERA C	CK725F1E-104Z1	1	332161040R1	NSP
C8001	C-CERA C	CK725F1E-104Z1	1	332161040R1	NSP
C8002	C-CERA C	CK725F1E-104Z1	1	332161040R1	NSP
C8003	C-CERA C	CK725F1E-104Z1	1	332161040R1	NSP
C8004	C-CERA C	CK725F1E-104Z1	1	332161040R1	NSP
C8005	C-CERA C	CK725F1E-104Z1	1	332161040R1	NSP
C8006	C-CERA C	CK725F1E-104Z1	1	332161040R1	NSP
C8007	C-CERA C	CK725F1E-104Z1	1	332161040R1	NSP
C8008	C-CERA C	CK725B1C-104K1	1	332121045R1	NSP
C8009	C-CERA C	CK725F1E-104Z1	1	332161040R1	NSP
C8010	C-CERA C	CK725B1C-104K1	1	332121045R1	NSP
C8011	C-CERA C	CK725B1C-104K1	1	332121045R1	NSP
C8012	C-CERA C	CK725F1E-104Z1	1	332161040R1	NSP
C8013	C-CERA C	CK725F1E-104Z1	1	332161040R1	NSP
C8014	C-CERA C	CK725F1E-104Z1	1	332161040R1	NSP
C8015	C-CERA C	CK725B1C-104K1	1	332121045R1	NSP
C8016	C-CERA C	CK725B1C-104K1	1	332121045R1	NSP
C8017	C-CERA C	CK725B1C-104K1	1	332121045R1	NSP
C8018	C-CERA C	CK725F1E-104Z1	1	332161040R1	NSP
C8019	C-CERA C	CK725F1E-104Z1	1	332161040R1	NSP
C8020	C-CERA C	CK725B1C-104K1	1	332121045R1	NSP
C8021	C-CERA C	CK725F1E-104Z1	1	332161040R1	NSP
C8022	C-CERA C	CK725B1C-104K1	1	332121045R1	NSP
C8023	C-CERA C	CK725B1C-104K1	1	332121045R1	NSP
C8024	C-CERA C	CK725B1C-104K1	1	332121045R1	NSP
C8025	C-CERA C	CK725B1C-104K1	1	332121045R1	NSP
C8026	C-CERA C	CK725B1C-104K1	1	332121045R1	NSP
C8027	C-CERA C	CK725B1C-104K1	1	332121045R1	NSP
C8028	C-CERA C	CK725B1C-104K1	1	332121045R1	NSP

C8030	C-CERA C	CK725B0J-106K	1	332091065R2	NSP
C8031	C-CERA C	CK725B0J-106K	1	332091065R2	NSP
C8032	CHIP TANTAL	TCSCSOJ226MAAR	1	396522207R2	
C8032 or	CHIP TANTAL	F93-6.3V-22M	(1)	395522207R2	
C8032 or	CHIP TANTAL	TEESVA0J226M8R	(1)	398422207R2	
C8033	C-CERA C	CK725F1E-104Z1	1	332161040R1	NSP
C8034	C-CERA C	CK725B1H-102K1	1	332101025R1	NSP
C8035	C-CERA C	CK725F1E-104Z1	1	332161040R1	NSP
C8036	C-CERA C	CK725B0J-106K	1	332091065R2	NSP
C8037	C-CERA C	CK725B0J-106K	1	332091065R2	NSP
C8038	CHIP TANTAL	TCSCSOJ226MAAR	1	396522207R2	
C8038 or	CHIP TANTAL	F93-6.3V-22M	(1)	395522207R2	
C8038 or	CHIP TANTAL	TEESVA0J226M8R	(1)	398422207R2	
C8039	C-CERA C	CK725F1E-104Z1	1	332161040R1	
C8051	CHIP TANTAL	TCSCSOJ226MAAR	1	396522207R2	NSP
C8051 or	CHIP TANTAL	F93-6.3V-22M	(1)	395522207R2	
C8051 or	CHIP TANTAL	TEESVA0J226M8R	(1)	398422207R2	
C8052	C-CERA C	CK725F1A-105Z1	1	332181050R1	NSP
C8053	C-CERA C	CK725F1E-104Z1	1	332161040R1	NSP
C8054	C-CERA C	CK725B1H-102K1	1	332101025R1	NSP
C8055	C-CERA C	CK725B0J-106K	1	332091065R2	NSP
C8056	C-CERA C	CK725F1E-104Z1	1	332161040R1	NSP
C8057	C-CERA C	CK725B1H-102K1	1	332101025R1	NSP
C8058	C-CERA C	CK725B1H-103K1	1	332101035R1	NSP
C8059	C-CERA C	CK725B1H-102K1	1	332101025R1	NSP
C8060	C-CERA C	CK725B1H-103K1	1	332101035R1	NSP
C8061	C-CERA C	CK725B1H-102K1	1	332101025R1	NSP
C8062	C-CERA C	CK725B1H-103K1	1	332101035R1	NSP
C8063	C-CERA C	CK725B1H-102K1	1	332101025R1	NSP
C8064	C-CERA C	CK725B1H-103K1	1	332101035R1	NSP
C8065	C-CERA C	CK725B0J-106K	1	332091065R2	NSP
C8066	C-CERA C	CK725B1H-102K1	1	332101025R1	NSP
C8067	C-CERA C	CK725B1H-103K1	1	332101035R1	NSP
C8068	C-CERA C	CK725B1H-102K1	1	332101025R1	NSP
C8069	C-CERA C	CK725B1H-103K1	1	332101035R1	NSP
C8070	C-CERA C	CK725B1H-102K1	1	332101025R1	NSP
C8071	C-CERA C	CK725B1H-103K1	1	332101035R1	NSP
C8072	C-CERA C	CK725B1H-102K1	1	332101025R1	NSP
C8073	C-CERA C	CK725B1H-103K1	1	332101035R1	NSP
C8074	CHIP TANTAL	TCSCSOJ226MAAR	1	396522207R2	
C8074 or	CHIP TANTAL	F93-6.3V-22M	(1)	395522207R2	
C8074 or	CHIP TANTAL	TEESVA0J226M8R	(1)	398422207R2	
C8075	C-CERA C	CK725F1A-105Z1	1	332181050R1	NSP

C8076	C-CERA C	CK725F1E-104Z1	1	332161040R1	NSP
C8077	C-CERA C	CK725B1H-102K1	1	332101025R1	NSP
C8079	C-CERA C	CK725F1E-104Z1	1	332161040R1	NSP
C8080	C-CERA C	CK725B1H-102K1	1	332101025R1	NSP
C8081	C-CERA C	CK725B1H-103K1	1	332101035R1	NSP
C8082	C-CERA C	CK725B1H-102K1	1	332101025R1	NSP
C8083	C-CERA C	CK725B1H-103K1	1	332101035R1	NSP
C8084	C-CERA C	CK725B1H-102K1	1	332101025R1	NSP
C8085	C-CERA C	CK725B1H-103K1	1	332101035R1	NSP
C8086	C-CERA C	CK725B1H-102K1	1	332101025R1	NSP
C8087	C-CERA C	CK725B1H-103K1	1	332101035R1	NSP
C8088	C-CERA C	CK725B0J-106K	1	332091065R2	NSP
C8089	C-CERA C	CK725B1H-102K1	1	332101025R1	NSP
C8090	C-CERA C	CK725B1H-103K1	1	332101035R1	NSP
C8091	C-CERA C	CK725B1H-102K1	1	332101025R1	NSP
C8092	C-CERA C	CK725B1H-103K1	1	332101035R1	NSP
C8093	C-CERA C	CK725B1H-102K1	1	332101025R1	NSP
C8094	C-CERA C	CK725B1H-103K1	1	332101035R1	NSP
C8095	C-CERA C	CK725B1H-102K1	1	332101025R1	NSP
C8096	C-CERA C	CK725B1H-103K1	1	332101035R1	NSP
C8157	C-CERA C	CK725B0J-106K	1	332091065R2	NSP
C8158	C-CERA C	CK725B0J-106K	1	332091065R2	NSP
C8159	C-CERA C	CK725B0J-106K	1	332091065R2	NSP
C8160	C-CERA C	CK725B0J-106K	1	332091065R2	NSP
C8161	C-CERA C	CK725B1H-102K1	1	332101025R1	NSP
C8162	C-CERA C	CK725F1E-104Z1	1	332161040R1	NSP
C8163	C-CERA C	CK725B1A-105K1	1	332131055R1	NSP
C8164	C-CERA C	CK725B1A-105K1	1	332131055R1	NSP
C8165	C-CERA C	CK725F1E-104Z1	1	332161040R1	NSP
C8166	C-CERA C	CK725B1H-102K1	1	332101025R1	NSP
C8167	C-CERA C	CK725F1E-104Z1	1	332161040R1	NSP
C8168	C-CERA C	CK725B1H-102K1	1	332101025R1	NSP
C8169	C-CERA C	CK725F1E-104Z1	1	332161040R1	NSP
C8170	C-CERA C	CK725B1H-102K1	1	332101025R1	NSP
C8171	C-CERA C	CK725F1E-104Z1	1	332161040R1	NSP
C8172	C-CERA C	CK725B1H-102K1	1	332101025R1	NSP
C8173	C-CERA C	CK725F1E-104Z1	1	332161040R1	NSP
C8174	C-CERA C	CK725B1H-102K1	1	332101025R1	NSP
C8175	C-CERA C	CK725F1E-104Z1	1	332161040R1	NSP
C8176	C-CERA C	CK725B1H-102K1	1	332101025R1	NSP
C8177	C-CERA C	CK725F1E-104Z1	1	332161040R1	NSP
C8178	C-CERA C	CK725B1H-102K1	1	332101025R1	NSP
C8179	C-CERA C	CK725F1E-104Z1	1	332161040R1	NSP

C8180	C-CERA C	CK725B1H-102K1	1	332101025R1	NSP
C8181	C-CERA C	CK725F1A-105Z1	1	332181050R1	NSP
C8182	C-CERA C	CK725B0J-106K	1	332091065R2	NSP
C8183	C-CERA C	CK725B1H-102K1	1	332101025R1	NSP
C8184	C-CERA C	CK725B0J-106K	1	332091065R2	NSP
C8185	C-CERA C	CK725B0J-106K	1	332091065R2	NSP
C8186	C-CERA C	CK725F1E-104Z1	1	332161040R1	NSP
C8187	C-CERA C	CK725B0J-106K	1	332091065R2	NSP
C8188	C-CERA C	CK725B0J-106K	1	332091065R2	NSP
C8189	C-CERA C	CK725B0J-106K	1	332091065R2	NSP
C8192	C-CERA C	CK725B1H-102K1	1	332101025R1	NSP
C8193	C-CERA C	CK725F1E-104Z1	1	332161040R1	NSP
C8194	C-CERA C	CK725F1A-105Z1	1	332181050R1	NSP
C8195	C-CERA C	CK725F1A-105Z1	1	332181050R1	NSP
C8196	C-CERA C	CK725F1A-105Z1	1	332181050R1	NSP
C8197	C-CERA C	CK725F1A-105Z1	1	332181050R1	NSP
C8198	C-CERA C	CK725F1A-105Z1	1	332181050R1	NSP
C8199	C-CERA C	CK725B1H-102K1	1	332101025R1	NSP
C8200	C-CERA C	CK725F1E-104Z1	1	332161040R1	NSP
C8201	C-CERA C	CK725B1H-102K1	1	332101025R1	NSP
C8202	CHIP TANTAL	TCSCS0J226MAAR	1	396522207R2	
C8202 or	CHIP TANTAL	F93-6.3V-22M	(1)	395522207R2	
C8202 or	CHIP TANTAL	TEESVA0J226M8R	(1)	398422207R2	
C8203	C-CERA C	CK725B0J-106K	1	332091065R2	NSP
C8204	C-CERA C	CK725B0J-106K	1	332091065R2	NSP
C8205	CHIP TANTAL	TCSCS0J226MAAR	1	396522207R2	
C8205 or	CHIP TANTAL	F93-6.3V-22M	(1)	395522207R2	
C8205 or	CHIP TANTAL	TEESVA0J226M8R	(1)	398422207R2	
C8206	C-CERA C	CK725B1H-102K1	1	332101025R1	NSP
C8207	C-CERA C	CK725F1E-104Z1	1	332161040R1	NSP
C8208	C-CERA C	CC725CH1H-330J1	1	342103304R1	NSP
C8209	C-CERA C	CC725CH1H-330J1	1	342103304R1	NSP
C8210	C-CERA C	CK725F1E-104Z1	1	332161040R1	NSP
C8211	C-CERA C	CK725B0J-106K	1	332091065R2	NSP
C8212	C-CERA C	CK725B0J-106K	1	332091065R2	NSP
C8213	C-CERA C	CK725F1E-104Z1	1	332161040R1	NSP
C8214	C-CERA C	CK725B0J-106K	1	332091065R2	NSP
C8215	C-CERA C	CK725B0J-106K	1	332091065R2	NSP
C8216	C-CERA C	CK725B0J-106K	1	332091065R2	NSP
C8217	CHIP TANTAL	TCSCS0J226MAAR	1	396522207R2	
C8217 or	CHIP TANTAL	F93-6.3V-22M	(1)	395522207R2	
C8217 or	CHIP TANTAL	TEESVA0J226M8R	(1)	398422207R2	
C8218	C-CERA C	CK725B1H-102K1	1	332101025R1	NSP

C8219	C-CERA C	CK725F1E-104Z1	1	332161040R1	NSP
C8220	C-CERA C	CK725B1H-102K1	1	332101025R1	NSP
C8221	C-CERA C	CK725F1E-104Z1	1	332161040R1	NSP
C8222	C-CERA C	CK725B1H-102K1	1	332101025R1	NSP
C8223	C-CERA C	CK725F1E-104Z1	1	332161040R1	NSP
C8224	C-CERA C	CK725F1E-104Z1	1	332161040R1	NSP
C8225	C-CERA C	CK725B1H-102K1	1	332101025R1	NSP
C8226	C-CERA C	CK725F1E-104Z1	1	332161040R1	NSP
C8227	C-CERA C	CK725B1H-102K1	1	332101025R1	NSP
C8228	C-CERA C	CK725F1E-104Z1	1	332161040R1	NSP
C8229	C-CERA C	CK725F1E-104Z1	1	332161040R1	NSP
C8230	CHIP TANTAL	TCSCSOJ226MAAR	1	396522207R2	
C8230 or	CHIP TANTAL	F93-6.3V-22M	(1)	395522207R2	
C8230 or	CHIP TANTAL	TEESVAOJ226M8R	(1)	398422207R2	
C8231	C-CERA C	CK725B0J-106K	1	332091065R2	NSP
C8232	C-CERA C	CK725B0J-106K	1	332091065R2	NSP
C8233	C-CERA C	CK725B1H-102K1	1	332101025R1	NSP
C8234	C-CERA C	CK725F1E-104Z1	1	332161040R1	NSP
C8235	C-CERA C	CK725B1H-102K1	1	332101025R1	NSP
C8236	C-CERA C	CK725F1E-104Z1	1	332161040R1	NSP
C8237	C-CERA C	CK725B1H-102K1	1	332101025R1	NSP
C8238	C-CERA C	CK725F1E-104Z1	1	332161040R1	NSP
C8239	C-CERA C	CK725B1H-102K1	1	332101025R1	NSP
C8240	C-CERA C	CK725B0J-106K	1	332091065R2	NSP
C8241	C-CERA C	CK725B0J-106K	1	332091065R2	NSP
C8242	C-CERA C	CK725F1E-104Z1	1	332161040R1	NSP
C8243	C-CERA C	CK725B1H-102K1	1	332101025R1	NSP
C8244	C-CERA C	CK725F1E-104Z1	1	332161040R1	NSP
C8245	C-CERA C	CK725B1H-102K1	1	332101025R1	NSP
C8246	C-CERA C	CK725F1E-104Z1	1	332161040R1	NSP
C8247	C-CERA C	CK725B0J-106K	1	332091065R2	NSP
C8253	C-CERA C	CK725B0J-106K	1	332091065R2	NSP
C8254	C-CERA C	CK725F1E-104Z1	1	332161040R1	NSP
C8255	C-CERA C	CK725F1E-104Z1	1	332161040R1	NSP
C8256	C-CERA C	CK725B1H-102K1	1	332101025R1	NSP
C8257	C-CERA C	CK725B0J-106K	1	332091065R2	NSP
C8258	C-CERA C	CK725F1E-104Z1	1	332161040R1	NSP
C8259	C-CERA C	CK725F1E-104Z1	1	332161040R1	NSP
C8260	C-CERA C	CK725B0J-106K	1	332091065R2	NSP
C8261	C-CERA C	CK725F1E-104Z1	1	332161040R1	NSP
C8262	C-CERA C	CK725F1E-104Z1	1	332161040R1	NSP
C8263	C-CERA C	CK725B0J-106K	1	332091065R2	NSP
C8264	C-CERA C	CK725F1E-104Z1	1	332161040R1	NSP

C8265	C-CERA C	CK725F1E-104Z1	1	332161040R1	NSP
C8266	C-CERA C	CK725F1E-104Z1	1	332161040R1	NSP
C8267	C-CERA C	CK725B0J-106K	1	332091065R2	NSP
C8268	C-CERA C	CK725F1E-104Z1	1	332161040R1	NSP
C8269	C-CERA C	CK725F1E-104Z1	1	332161040R1	NSP
C8270	C-CERA C	CK725F1E-104Z1	1	332161040R1	NSP
C8271	C-CERA C	CK725F1E-104Z1	1	332161040R1	NSP
C8272	C-CERA C	CK725B0J-106K	1	332091065R2	NSP
C8273	CHIP TANTAL	TCSCS0J226MAAR	1	396522207R2	
C8273 or	CHIP TANTAL	F93-6.3V-22M	(1)	395522207R2	
C8273 or	CHIP TANTAL	TEESVA0J226M8R	(1)	398422207R2	
C8274	C-CERA C	CK725B1H-102K1	1	332101025R1	NSP
C8275	C-CERA C	CK725B1H-103K1	1	332101035R1	NSP
C8276	C-CERA C	CK725B1H-102K1	1	332101025R1	NSP
C8277	C-CERA C	CK725B1H-103K1	1	332101035R1	NSP
C8278	C-CERA C	CK725B1H-102K1	1	332101025R1	NSP
C8279	C-CERA C	CK725B1H-103K1	1	332101035R1	NSP
C8280	C-CERA C	CK725B1H-102K1	1	332101025R1	NSP
C8281	CHIP TANTAL	TCSCS0J226MAAR	1	396522207R2	
C8281 or	CHIP TANTAL	F93-6.3V-22M	(1)	395522207R2	
C8281 or	CHIP TANTAL	TEESVA0J226M8R	(1)	398422207R2	
C8282	C-CERA C	CK725B1H-102K1	1	332101025R1	NSP
C8283	C-CERA C	CK725B1H-103K1	1	332101035R1	NSP
C8284	C-CERA C	CK725B1H-102K1	1	332101025R1	NSP
C8285	C-CERA C	CK725B1H-103K1	1	332101035R1	NSP
C8286	C-CERA C	CK725B1H-102K1	1	332101025R1	NSP
C8287	C-CERA C	CK725B1H-103K1	1	332101035R1	NSP
C8288	C-CERA C	CK725B1H-102K1	1	332101025R1	NSP
C8289	C-CERA C	CK725F1E-104Z1	1	332161040R1	NSP
C8290	C-CERA C	CK725B1H-102K1	1	332101025R1	NSP
C8291	C-CERA C	CK725F1E-104Z1	1	332161040R1	NSP
C8292	C-CERA C	CK725F1A-105Z1	1	332181050R1	NSP
C8293	CHIP TANTAL	TCSCS0J226MAAR	1	396522207R2	
C8293 or	CHIP TANTAL	F93-6.3V-22M	(1)	395522207R2	
C8293 or	CHIP TANTAL	TEESVA0J226M8R	(1)	398422207R2	
C8294	CHIP TANTAL	TCSCS0J226MAAR	1	396522207R2	
C8294 or	CHIP TANTAL	F93-6.3V-22M	(1)	395522207R2	
C8294 or	CHIP TANTAL	TEESVA0J226M8R	(1)	398422207R2	
C8295	C-CERA C	CK725B1H-103K1	1	332101035R1	NSP
C8296	C-CERA C	CK725B1H-103K1	1	332101035R1	NSP
C8297	CHIP TANTAL	TCSCS0J226MAAR	1	396522207R2	
C8297 or	CHIP TANTAL	F93-6.3V-22M	(1)	395522207R2	
C8297 or	CHIP TANTAL	TEESVA0J226M8R	(1)	398422207R2	

C8298	C-CERA C	CK725B1H-103K1	1	332101035R1	NSP
C8299	C-CERA C	CK725B1H-103K1	1	332101035R1	NSP
C8326	C-CERA C	CK725F1E-104Z1	1	332161040R1	NSP
C8328	C-CERA C	CK725B0J-106K	1	332091065R2	NSP
C8330	C-CERA C	CK725F1E-104Z1	1	332161040R1	NSP
C8348	C-CERA C	CK725B1H-102K1	1	332101025R1	NSP
C8399	C-CERA C	CK725B1H-102K1	1	332101025R1	NSP
C8401	C-CERA C	CK725F1E-104Z1	1	332161040R1	NSP
C8402	C-CERA C	CK725B1H-103K1	1	332101035R1	NSP
C8403	C-CERA C	CK725F1E-104Z1	1	332161040R1	NSP
C8404	C-CERA C	CK725B1H-103K1	1	332101035R1	NSP
C8405	C-CERA C	CK725F1E-104Z1	1	332161040R1	NSP
C8406	C-CERA C	CK725B1H-103K1	1	332101035R1	NSP
C8407	C-CERA C	CK725F1E-104Z1	1	332161040R1	NSP
C8408	C-CERA C	CK725B1H-103K1	1	332101035R1	NSP
C8409	C-CERA C	CK725F1E-104Z1	1	332161040R1	NSP
C8410	C-CERA C	CK725B1H-103K1	1	332101035R1	NSP
C8411	C-CERA C	CK725F1E-104Z1	1	332161040R1	NSP
C8412	C-CERA C	CK725B1H-103K1	1	332101035R1	NSP
C8413	C-CERA C	CK725F1E-104Z1	1	332161040R1	NSP
C8414	C-CERA C	CK725B1H-103K1	1	332101035R1	NSP
C8415	C-CERA C	CK725F1E-104Z1	1	332161040R1	NSP
C8416	C-CERA C	CK725B1H-103K1	1	332101035R1	NSP
C8417	C-CERA C	CK725F1E-104Z1	1	332161040R1	NSP
C8418	C-CERA C	CK725B1H-103K1	1	332101035R1	NSP
C8419	C-CERA C	CC725CH1H-040C1	1	342100401R1	NSP
C8420	C-CERA C	CK725B1H-102K1	1	332101025R1	NSP
C8421	C-CERA C	CK725B0J-106K	1	332091065R2	NSP
C8422	C-CERA C	CK725B0J-106K	1	332091065R2	NSP
C8424	C-CERA C	CK725B0J-106K	1	332091065R2	NSP
C8425	C-CERA C	CK725B0J-106K	1	332091065R2	NSP
C8428	C-CERA C	CK725B0J-106K	1	332091065R2	NSP
C8429	C-CERA C	CK725F1E-104Z1	1	332161040R1	NSP
C8430	C-CERA C	CC725CH1H-080D1	1	342100802R1	NSP
C8431	C-CERA C	CK725B0J-106K	1	332091065R2	NSP
C8432	C-CERA C	CK725B1H-103K1	1	332101035R1	NSP
C8433	C-CERA C	CK725F1E-104Z1	1	332161040R1	NSP
C8434	C-CERA C	CK725B1H-103K1	1	332101035R1	NSP
C8435	C-CERA C	CK725F1E-104Z1	1	332161040R1	NSP
C8436	C-CERA C	CK725F1A-105Z1	1	332181050R1	NSP
C8437	C-CERA C	CK725F1A-105Z1	1	332181050R1	NSP
C8438	C-CERA C	CK725F1A-105Z1	1	332181050R1	NSP
C8439	C-CERA C	CK725F1A-105Z1	1	332181050R1	NSP

C8440	C-CERA C	CK725B1A-105K1	1	332131055R1	NSP
C8441	C-CERA C	CK725B1A-105K1	1	332131055R1	NSP
C8442	C-CERA C	CC725CH1H-101J1	1	342101014R1	NSP
C8443	C-CERA C	CK725B1C-104K1	1	332121045R1	NSP
C8502	C-CERA C	CK725B0J-106K	1	332091065R2	NSP
C8506	C-CERA C	CK725B0J-106K	1	332091065R2	NSP
C8507	C-CERA C	CK725B1H-102K1	1	332101025R1	NSP
C8508	C-CERA C	CK725F1A-105Z1	1	332181050R1	NSP
C8509	C-CERA C	CK725B1H-102K1	1	332101025R1	NSP
C8510	C-CERA C	CK725F1A-105Z1	1	332181050R1	NSP
C8511	C-CERA C	CK725B1H-102K1	1	332101025R1	NSP
C8512	C-CERA C	CK725F1E-104Z1	1	332161040R1	NSP
C8513	C-CERA C	CK725B1H-102K1	1	332101025R1	NSP
C8514	C-CERA C	CK725F1E-104Z1	1	332161040R1	NSP
C8515	C-CERA C	CK725B1H-102K1	1	332101025R1	NSP
C8516	C-CERA C	CK725F1E-104Z1	1	332161040R1	NSP
C8517	C-CERA C	CK725B1H-102K1	1	332101025R1	NSP
C8518	C-CERA C	CK725F1E-104Z1	1	332161040R1	NSP
C8519	C-CERA C	CK725B1H-102K1	1	332101025R1	NSP
C8522	C-CERA C	CK725B0J-106K	1	332091065R2	NSP
C8524	C-CERA C	CK725B0J-106K	1	332091065R2	NSP
C8525	C-CERA C	CK725B0J-106K	1	332091065R2	NSP
C8527	C-CERA C	CK725B1H-102K1	1	332101025R1	NSP
C8530	C-CERA C	CK725F1E-104Z1	1	332161040R1	NSP
C8531	C-CERA C	CK725B1H-102K1	1	332101025R1	NSP
C8532	C-CERA C	CK725F1E-104Z1	1	332161040R1	NSP
C8533	C-CERA C	CK725B1H-102K1	1	332101025R1	NSP
C8534	C-CERA C	CK725F1E-104Z1	1	332161040R1	NSP
C8535	C-CERA C	CK725B1H-102K1	1	332101025R1	NSP
C8536	C-CERA C	CK725F1E-104Z1	1	332161040R1	NSP
C8537	C-CERA C	CK725B1H-102K1	1	332101025R1	NSP
C8538	C-CERA C	CK725F1E-104Z1	1	332161040R1	NSP
C8539	C-CERA C	CK725B1H-102K1	1	332101025R1	NSP
C8548	C-CERA C	CK725F1E-104Z1	1	332161040R1	NSP
C8549	C-CERA C	CK725B1H-102K1	1	332101025R1	NSP
C8550	C-CERA C	CK725F1E-104Z1	1	332161040R1	NSP
C8551	C-CERA C	CK725B1H-102K1	1	332101025R1	NSP
C8552	C-CERA C	CK725F1E-104Z1	1	332161040R1	NSP
C8553	C-CERA C	CK725B1H-102K1	1	332101025R1	NSP
C8554	C-CERA C	CK725F1E-104Z1	1	332161040R1	NSP
C8555	C-CERA C	CK725B1H-102K1	1	332101025R1	NSP
C8556	C-CERA C	CK725F1E-104Z1	1	332161040R1	NSP
C8557	C-CERA C	CK725B1H-102K1	1	332101025R1	NSP

C8560	C-CERA C	CK725B0J-106K	1	332091065R2	NSP
C8561	C-CERA C	CK725B0J-106K	1	332091065R2	NSP
C8563	C-CERA C	CK725B0J-106K	1	332091065R2	NSP
C8565	C-CERA C	CK725B0J-106K	1	332091065R2	NSP
C8566	C-CERA C	CK725B1H-102K1	1	332101025R1	NSP
C8567	C-CERA C	CK725F1E-104Z1	1	332161040R1	NSP
C8573	C-CERA C	CK725F1E-104Z1	1	332161040R1	NSP
C8574	C-CERA C	CC725CH1H-060D1	1	342100602R1	NSP
C8575	C-CERA C	CC725CH1H-060D1	1	342100602R1	NSP
C8584	C-CERA C	CK725B0J-106K	1	332091065R2	NSP
C8605	C-CERA C	CK725B1H-102K1	1	332101025R1	NSP
C8606	C-CERA C	CK725B1H-102K1	1	332101025R1	NSP
C8611	C-CERA C	CK725B1H-102K1	1	332101025R1	NSP
C8612	C-CERA C	CK725B1H-102K1	1	332101025R1	NSP
C8621	C-CERA C	CK725B1H-102K1	1	332101025R1	NSP
C8622	C-CERA C	CK725B1H-102K1	1	332101025R1	NSP
C8631	C-CARBON R	RN72K1J-000JE	1	435030004R1	
C8632	C-CERA C	CK725B1H-102K1	1	332101025R1	NSP
C8687	C-CERA C	CK725F1E-104Z1	1	332161040R1	NSP
C8690	C-CERA C	CK725F1E-104Z1	1	332161040R1	NSP
C8701	C-CERA C	CK725F1E-104Z1	1	332161040R1	NSP
C8702	C-CERA C	CK725F1E-104Z1	1	332161040R1	NSP
C8703	C-CERA C	CK725F1A-105Z1	1	332181050R1	NSP
C8704	CHIP ELECT C	CEWX50V-4.7M	1	398180477R2	
C8705	C-CERA C	CK725F1A-105Z1	1	332181050R1	NSP
C8706	C-CERA C	CK725F1E-104Z1	1	332161040R1	NSP
C8707	C-CERA C	CK725F1E-104Z1	1	332161040R1	NSP
C8708	C-CERA C	CK725B0J-106K	1	332091065R2	NSP
C8709	C-CERA C	CK725B0J-106K	1	332091065R2	NSP
C8710	C-CERA C	CK725F1A-105Z1	1	332181050R1	NSP
C8801	C-CERA C	CK725F1E-104Z1	1	332161040R1	NSP
C8802	C-CERA C	CK725F1E-104Z1	1	332161040R1	NSP
C8803	C-CERA C	CK725F1E-104Z1	1	332161040R1	NSP
C8804	C-CERA C	CK725F1E-104Z1	1	332161040R1	NSP
C8805	C-CERA C	CK725F1E-104Z1	1	332161040R1	NSP
C8806	C-CERA C	CK725B1H-102K1	1	332101025R1	NSP
C8807	C-CERA C	CK725F1E-104Z1	1	332161040R1	NSP
C8808	C-CERA C	CK725B1H-102K1	1	332101025R1	NSP
C8809	C-CERA C	CK725F1E-104Z1	1	332161040R1	NSP
C8810	C-CERA C	CK725B1H-102K1	1	332101025R1	NSP
C8811	C-CERA C	CK725F1E-104Z1	1	332161040R1	NSP
C8812	C-CERA C	CK725B1H-102K1	1	332101025R1	NSP
C8813	C-CERA C	CK725F1E-104Z1	1	332161040R1	NSP

C8814	C-CERA C	CK725B1H-102K1	1	332101025R1	NSP
C8815	C-CERA C	CK725F1E-104Z1	1	332161040R1	NSP
C8816	C-CERA C	CK725B1H-102K1	1	332101025R1	NSP
C8817	C-CERA C	CK725B0J-106K	1	332091065R2	NSP
C8818	C-CERA C	CK725B0J-106K	1	332091065R2	NSP
C8819	C-CERA C	CK725B0J-106K	1	332091065R2	NSP
C8820	C-CERA C	CK725B0J-106K	1	332091065R2	NSP
C8821	C-CERA C	CK725B1H-102K1	1	332101025R1	NSP
C8822	C-CERA C	CK725F1E-104Z1	1	332161040R1	NSP
C8901	CHIP ELECT C	CEWX16V-100M	1	398141017R2	
C8902	C-CERA C	CK725B1E-106K	1	332221065R2	NSP
C8903	C-CERA C	CK725B1E-106K	1	332221065R2	NSP
C8904	C-CERA C	CK725B1A-105K1	1	332131055R1	NSP
C8905	C-CERA C	CK725B1A-105K1	1	332131055R1	NSP
C8906	C-CERA C	CK725F1E-104Z1	1	332161040R1	NSP
C8907	C-CERA C	CK725B1A-105K1	1	332131055R1	NSP
C8908	C-CERA C	CK725B1A-105K1	1	332131055R1	NSP
C8909	C-CERA C	CK725F1E-104Z1	1	332161040R1	NSP
C8910	C-CERA C	CK725F1E-104Z1	1	332161040R1	NSP
C8911	C-CERA C	CK725B0J-106K	1	332091065R2	NSP
C8912	C-CERA C	CK725F1E-104Z1	1	332161040R1	NSP
C8913	C-CERA C	CK725B0J-106K	1	332091065R2	NSP
C8914	C-CERA C	CK725F1E-104Z1	1	332161040R1	NSP
C8915	C-CERA C	CK725B0J-106K	1	332091065R2	NSP
C8916	CHIP TANTAL	TCSCS0J107MBAR	1	396521017R2	
C8916 or	CHIP TANTAL	F93-6.3V-100M	(1)	395521017R2	
C8916 or	CHIP TANTAL	TEESVB20J107M8R	(1)	398421017R2	
C8917	C-CERA C	CK725B0J-106K	1	332091065R2	NSP
C8918	CHIP TANTAL	TCSCS0J107MBAR	1	396521017R2	
C8918 or	CHIP TANTAL	F93-6.3V-100M	(1)	395521017R2	
C8918 or	CHIP TANTAL	TEESVB20J107M8R	(1)	398421017R2	
C8919	C-CERA C	CK725B0J-106K	1	332091065R2	NSP
C8920	C-CERA C	CK725B0J-106K	1	332091065R2	NSP
C8921	C-CERA C	CK725F1E-104Z1	1	332161040R1	NSP
C8922	C-CERA C	CK725F1E-104Z1	1	332161040R1	NSP
C8950	C-CERA C	CC725CH1H-151J1	1	342101514R1	NSP
C8951	C-CERA C	CK725F1E-104Z1	1	332161040R1	NSP
C8952	C-CERA C	CK725F1E-104Z1	1	332161040R1	NSP
C8953	C-CERA C	CK725B1E-106K	1	332221065R2	NSP
C8954	C-CERA C	CK725B1E-106K	1	332221065R2	NSP
C8955	C-CERA C	CK725B1H-103K1	1	332101035R1	NSP
C8956	C-CERA C	CK725B0J-106K	1	332091065R2	NSP
C8957	C-CERA C	CK725B0J-106K	1	332091065R2	NSP

C8958	C-CERA C	CK725B0J-106K	1	332091065R2	NSP
C8959	C-CERA C	CK725F1A-105Z1	1	332181050R1	NSP
C8960	CHIP ELECT C	CEWX16V-100M	1	398141017R2	
C8961	C-CERA C	CK725F1E-104Z1	1	332161040R1	NSP
C8962	C-CERA C	CK725F1E-104Z1	1	332161040R1	NSP
C8963	C-CERA C	CK725B1E-106K	1	332221065R2	NSP
C8964	C-CERA C	CK725B1E-106K	1	332221065R2	NSP
C8965	C-CERA C	CK725B1H-223K1	1	332102235R1	NSP
C8966	C-CERA C	CK725B0J-106K	1	332091065R2	NSP
C8967	C-CERA C	CK725B0J-106K	1	332091065R2	NSP
C8968	C-CERA C	CK725B0J-106K	1	332091065R2	NSP
C8969	C-CERA C	CK725F1A-105Z1	1	332181050R1	NSP
C8970	CHIP ELECT C	CEWX16V-100M	1	398141017R2	
C8971	C-CERA C	CK725F1E-104Z1	1	332161040R1	NSP
C8972	C-CERA C	CC725CH1H-331J1	1	342103314R1	NSP
[RESISTOR]					
R200	C-CARBON R	RN72K1J-221JE	1	435032214R1	NSP
R201	C-CARBON R	RN72K1J-103JE	1	435031034R1	NSP
R202	C-CARBON R	RN72K1J-103JE	1	435031034R1	NSP
R203	C-CARBON R	RN72K1J-103JE	1	435031034R1	NSP
R205	C-CARBON R	RN72K1J-103JE	1	435031034R1	NSP
R206	C-CARBON R	RN72K1J-221JE	1	435032214R1	NSP
R207	C-CARBON R	RN72K1J-391JE	1	435033914R1	NSP
R208	C-CARBON R	RN72K1J-103JE	1	435031034R1	NSP
R209	C-CARBON R	RN72K1J-470JE	1	435034704R1	NSP
R210	C-R NET	RM7LJ330X04	1	43484733004R2	
R211	C-R NET	RM7LJ330X04	1	43484733004R2	
R212	C-R NET	RM7LJ330X04	1	43484733004R2	
R213	C-R NET	RM7LJ330X04	1	43484733004R2	
R214	C-R NET	RM7LJ330X04	1	43484733004R2	
R215	C-R NET	RM7LJ330X04	1	43484733004R2	
R216	C-R NET	RM7LJ330X04	1	43484733004R2	
R217	C-R NET	RM7LJ330X04	1	43484733004R2	
R218	C-R NET	RM7LJ330X04	1	43484733004R2	
R221	C-CARBON R	RN72K1J-750JE	1	435037504R1	NSP
R240	C-CARBON R	RN72K1J-331JE	1	435033314R1	NSP
R241	C-CARBON R	RN72K1J-331JE	1	435033314R1	NSP
R242	C-CARBON R	RN72K1J-470JE	1	435034704R1	NSP
R243	C-CARBON R	RN72K1J-221JE	1	435032214R1	NSP
R244	C-CARBON R	RN72K1J-470JE	1	435034704R1	NSP
R245	C-CARBON R	RN72K1J-103JE	1	435031034R1	NSP
R246	C-CARBON R	RN72K1J-000JE	1	435030004R1	NSP
R250	C-CARBON R	RN72K1J-472JE	1	435034724R1	NSP

R251	C-CARBON R	RN72K1J-221JE	1	435032214R1	NSP
R252	C-CARBON R	RN72K1J-331JE	1	435033314R1	NSP
R253	C-CARBON R	RN72K1J-470JE	1	435034704R1	NSP
R254	C-CARBON R	RN72K1J-470JE	1	435034704R1	NSP
R255	C-CARBON R	RN72K1J-470JE	1	435034704R1	NSP
R256	C-CARBON R	RN72K1J-470JE	1	435034704R1	NSP
R257	C-CARBON R	RN72K1J-470JE	1	435034704R1	NSP
R258	C-CARBON R	RN72K1J-470JE	1	435034704R1	NSP
R259	C-CARBON R	RN72K1J-331JE	1	435033314R1	NSP
R260	C-CARBON R	RN72K1J-470JE	1	435034704R1	NSP
R261	C-CARBON R	RN72K1J-470JE	1	435034704R1	NSP
R262	C-CARBON R	RN72K1J-331JE	1	435033314R1	NSP
R263	C-CARBON R	RN72K1J-331JE	1	435033314R1	NSP
R264	C-CARBON R	RN72K1J-331JE	1	435033314R1	NSP
R265	C-CARBON R	RN72K1J-470JE	1	435034704R1	NSP
R267	C-CARBON R	RN72K1J-105JE	1	435031054R1	NSP
R268	C-CARBON R	RN72K1J-331JE	1	435033314R1	NSP
R269	C-CARBON R	RN72K1J-331JE	1	435033314R1	NSP
R270	C-CARBON R	RN72K1J-331JE	1	435033314R1	NSP
R271	C-CARBON R	RN72K1J-470JE	1	435034704R1	NSP
R272	C-CARBON R	RN72K1J-331JE	1	435033314R1	NSP
R273	C-CARBON R	RN72K1J-331JE	1	435033314R1	NSP
R274	C-CARBON R	RN72K1J-470JE	1	435034704R1	NSP
R275	C-CARBON R	RN72K1J-221JE	1	435032214R1	NSP
R276	C-CARBON R	RN72K1J-221JE	1	435032214R1	NSP
R277	C-CARBON R	RN72K1J-151JE	1	435031514R1	NSP
R278	C-CARBON R	RN72K1J-331JE	1	435033314R1	NSP
R279	C-CARBON R	RN72K1J-331JE	1	435033314R1	NSP
R280	C-CARBON R	RN72K1J-470JE	1	435034704R1	NSP
R281	C-CARBON R	RN72K1J-103JE	1	435031034R1	NSP
R282	C-CARBON R	RN72K1J-103JE	1	435031034R1	NSP
R283	C-CARBON R	RN72K1J-103JE	1	435031034R1	NSP
R284	C-CARBON R	RN72K1J-103JE	1	435031034R1	NSP
R285	C-CARBON R	RN72K1J-103JE	1	435031034R1	NSP
R286	C-CARBON R	RN72K1J-331JE	1	435033314R1	NSP
R287	C-CARBON R	RN72K1J-103JE	1	435031034R1	NSP
R288	C-CARBON R	RN72K1J-103JE	1	435031034R1	NSP
R289	C-CARBON R	RN72K1J-472JE	1	435034724R1	NSP
R290	C-CARBON R	RN72K1J-472JE	1	435034724R1	NSP
R295	C-CARBON R	RN72K2E-068JE	1	435220684R1	NSP
R296	C-CARBON R	RN72K2E-068JE	1	435220684R1	NSP
R297	C-CARBON R	RN72K2E-068JE	1	435220684R1	NSP
R298	C-CARBON R	RN72K2E-068JE	1	435220684R1	NSP

R8000	C-CARBON R	RN72K1J-220JE	1	435032204R1	NSP
R8001	C-CARBON R	RN72K1J-220JE	1	435032204R1	NSP
R8002	C-CARBON R	RN72K1J-220JE	1	435032204R1	NSP
R8003	C-CARBON R	RN72K1J-220JE	1	435032204R1	NSP
R8004	C-CARBON R	RN72K1J-750JE	1	435037504R1	NSP
R8005	C-CARBON R	RN72K1J-750JE	1	435037504R1	NSP
R8006	C-CARBON R	RN72K1J-750JE	1	435037504R1	NSP
R8007	C-CARBON R	RN72K1J-750JE	1	435037504R1	NSP
R8008	C-CARBON R	RN72K1J-471JE	1	435034714R1	NSP
R8009	C-CARBON R	RN72K1J-680JE	1	435036804R1	NSP
R8010	C-CARBON R	RN72K1J-471JE	1	435034714R1	NSP
R8011	C-CARBON R	RN72K1J-680JE	1	435036804R1	NSP
R8012	C-CARBON R	RN72K1J-220JE	1	435032204R1	NSP
R8013	C-CARBON R	RN72K1J-220JE	1	435032204R1	NSP
R8014	C-CARBON R	RN72K1J-220JE	1	435032204R1	NSP
R8015	C-CARBON R	RN72K1J-220JE	1	435032204R1	NSP
R8016	C-CARBON R	RN72K1J-750JE	1	435037504R1	NSP
R8017	C-CARBON R	RN72K1J-750JE	1	435037504R1	NSP
R8018	C-CARBON R	RN72K1J-750JE	1	435037504R1	NSP
R8019	C-CARBON R	RN72K1J-750JE	1	435037504R1	NSP
R8020	C-CARBON R	RN72K1J-471JE	1	435034714R1	NSP
R8021	C-CARBON R	RN72K1J-680JE	1	435036804R1	NSP
R8022	C-CARBON R	RN72K1J-471JE	1	435034714R1	NSP
R8023	C-CARBON R	RN72K1J-680JE	1	435036804R1	NSP
R8024	C-CARBON R	RN72K1J-220JE	1	435032204R1	NSP
R8025	C-CARBON R	RN72K1J-220JE	1	435032204R1	NSP
R8026	C-CARBON R	RN72K1J-220JE	1	435032204R1	NSP
R8027	C-CARBON R	RN72K1J-220JE	1	435032204R1	NSP
R8028	C-CARBON R	RN72K1J-750JE	1	435037504R1	NSP
R8029	C-CARBON R	RN72K1J-750JE	1	435037504R1	NSP
R8030	C-CARBON R	RN72K1J-750JE	1	435037504R1	NSP
R8031	C-CARBON R	RN72K1J-750JE	1	435037504R1	NSP
R8032	C-CARBON R	RN72K1J-471JE	1	435034714R1	NSP
R8033	C-CARBON R	RN72K1J-680JE	1	435036804R1	NSP
R8034	C-CARBON R	RN72K1J-471JE	1	435034714R1	NSP
R8035	C-CARBON R	RN72K1J-680JE	1	435036804R1	NSP
R8036	C-CARBON R	RN72K1J-220JE	1	435032204R1	NSP
R8037	C-CARBON R	RN72K1J-220JE	1	435032204R1	NSP
R8038	C-CARBON R	RN72K1J-220JE	1	435032204R1	NSP
R8039	C-CARBON R	RN72K1J-220JE	1	435032204R1	NSP
R8040	C-CARBON R	RN72K1J-750JE	1	435037504R1	NSP
R8041	C-CARBON R	RN72K1J-750JE	1	435037504R1	NSP
R8042	C-CARBON R	RN72K1J-750JE	1	435037504R1	NSP

R8043	C-CARBON R	RN72K1J-750JE	1	435037504R1	NSP
R8044	C-CARBON R	RN72K1J-471JE	1	435034714R1	NSP
R8045	C-CARBON R	RN72K1J-680JE	1	435036804R1	NSP
R8046	C-CARBON R	RN72K1J-220JE	1	435032204R1	NSP
R8047	C-CARBON R	RN72K1J-471JE	1	435034714R1	NSP
R8048	C-CARBON R	RN72K1J-680JE	1	435036804R1	NSP
R8049	C-CARBON R	RN72K1J-220JE	1	435032204R1	NSP
R8050	C-CARBON R	RN72K1J-471JE	1	435034714R1	NSP
R8051	C-CARBON R	RN72K1J-680JE	1	435036804R1	NSP
R8052	C-CARBON R	RN72K1J-220JE	1	435032204R1	NSP
R8053	C-CARBON R	RN72K1J-471JE	1	435034714R1	NSP
R8054	C-CARBON R	RN72K1J-680JE	1	435036804R1	NSP
R8055	C-CARBON R	RN72K1J-750JE	1	435037504R1	NSP
R8056	C-CARBON R	RN72K1J-750JE	1	435037504R1	NSP
R8057	C-CARBON R	RN72K1J-750JE	1	435037504R1	NSP
R8075	C-CARBON R	RN72K1J-750JE	1	435037504R1	NSP
R8076	C-CARBON R	RN72K1J-750JE	1	435037504R1	NSP
R8077	C-CARBON R	RN72K1J-750JE	1	435037504R1	NSP
R8078	C-CARBON R	RN72K1J-750JE	1	435037504R1	NSP
R8160	C-CARBON R	RN72K1J-472JE	1	435034724R1	NSP
R8161	C-CARBON R	RN72K1J-104JE	1	435031044R1	NSP
R8162	C-CARBON R	RN72K1J-104JE	1	435031044R1	NSP
R8163	C-CARBON R	RN72K1J-104JE	1	435031044R1	NSP
R8164	C-CARBON R	RN72K1J-104JE	1	435031044R1	NSP
R8165	C-CARBON R	RN72K1J-104JE	1	435031044R1	NSP
R8166	C-CARBON R	RN72K1J-000JE	1	435030004R1	NSP
R8204	C-CARBON R	RN72K1J-000JE	1	435030004R1	NSP
R8205	C-CARBON R	RN72K1J-000JE	1	435030004R1	NSP
R8206	C-CARBON R	RN72K1J-103JE	1	435031034R1	NSP
R8207	C-CARBON R	RN72K1J-271JE	1	435032714R1	NSP
R8208	C-CARBON R	RN72K1J-103JE	1	435031034R1	NSP
R8210	C-CARBON R	RN72K1J-560JE	1	435035604R1	NSP
R8211	C-R NET	RM7LJ220X04	1	43484722004R2	
R8212	C-CARBON R	RN72K1J-103JE	1	435031034R1	NSP
R8213	C-CARBON R	RN72K1J-103JE	1	435031034R1	NSP
R8214	C-CARBON R	RN72K1J-103JE	1	435031034R1	NSP
R8215	C-CARBON R	RN72K1J-103JE	1	435031034R1	NSP
R8216	C-CARBON R	RN72K1J-103JE	1	435031034R1	NSP
R8217	C-CARBON R	RN72K1J-103JE	1	435031034R1	NSP
R8218	C-CARBON R	RN72K1J-101JE	1	435031014R1	NSP
R8219	C-CARBON R	RN72K1J-101JE	1	435031014R1	NSP
R8220	C-CARBON R	RN72K1J-101JE	1	435031014R1	NSP
R8221	C-CARBON R	RN72K1J-101JE	1	435031014R1	NSP

R8222	C-CARBON R	RN72K1J-272JE	1	435032724R1	NSP
R8223	C-CARBON R	RN72K1J-272JE	1	435032724R1	NSP
R8224	C-CARBON R	RN72K1J-103JE	1	435031034R1	NSP
R8225	C-R NET	RM7LJ220X04	1	43484722004R2	
R8226	C-R NET	RM7LJ220X04	1	43484722004R2	
R8228	C-CARBON R	RN72K1J-103JE	1	435031034R1	NSP
R8229	C-CARBON R	RN72K1J-103JE	1	435031034R1	NSP
R8230	C-CARBON R	RN72K1J-103JE	1	435031034R1	NSP
R8231	C-CARBON R	RN72K1J-103JE	1	435031034R1	NSP
R8232	C-CARBON R	RN72K1J-103JE	1	435031034R1	NSP
R8233	C-CARBON R	RN72K1J-102JE	1	435031024R1	NSP
R8234	C-CARBON R	RN72K1J-103JE	1	435031034R1	NSP
R8236	C-CARBON R	RN72K1J-103JE	1	435031034R1	NSP
R8251	C-CARBON R	RN72K1J-221JE	1	435032214R1	NSP
R8252	C-CARBON R	RN72K1J-222JE	1	435032224R1	NSP
R8253	C-CARBON R	RN72K1J-221JE	1	435032214R1	NSP
R8254	C-CARBON R	RN72K1J-222JE	1	435032224R1	NSP
R8255	C-R NET	RM7LJ220X04	1	43484722004R2	
R8256	C-R NET	RM7LJ220X04	1	43484722004R2	
R8257	C-R NET	RM7LJ220X04	1	43484722004R2	
R8258	C-R NET	RM7LJ220X04	1	43484722004R2	
R8259	C-R NET	RM7LJ220X04	1	43484722004R2	
R8260	C-R NET	RM7LJ220X04	1	43484722004R2	
R8261	C-R NET	RM7LJ220X04	1	43484722004R2	
R8262	C-R NET	RM7LJ220X04	1	43484722004R2	
R8263	C-R NET	RM7LJ220X04	1	43484722004R2	
R8264	C-R NET	RM7LJ220X04	1	43484722004R2	
R8265	C-R NET	RM7LJ220X04	1	43484722004R2	
R8266	C-R NET	RM7LJ220X04	1	43484722004R2	
R8267	C-R NET	RM7LJ220X04	1	43484722004R2	
R8268	C-R NET	RM7LJ220X04	1	43484722004R2	
R8269	C-R NET	RM7LJ220X04	1	43484722004R2	
R8270	C-R NET	RM7LJ220X04	1	43484722004R2	
R8271	C-R NET	RM7LJ220X04	1	43484722004R2	
R8272	C-CARBON R	RN72K1J-103JE	1	435031034R1	NSP
R8273	C-CARBON R	RN72K1J-000JE	1	435030004R1	NSP
R8274	C-CARBON R	RN72K1J-272FE	1	435032722R1	NSP
R8275	C-CARBON R	RN72K1J-331FE	1	435033312R1	NSP
R8276	C-CARBON R	RN72K1J-220JE	1	435032204R1	NSP
R8277	C-CARBON R	RN72K1J-220JE	1	435032204R1	NSP
R8330	C-CARBON R	RN72K1J-000JE	1	435030004R1	NSP
R8331	C-CARBON R	RN72K1J-000JE	1	435030004R1	NSP
R8333	C-CARBON R	RN72K1J-103JE	1	435031034R1	NSP

R8334	C-CARBON R	RN72K1J-182JE	1	435031824R1	NSP
R8335	C-CARBON R	RN72K1J-182JE	1	435031824R1	NSP
R8336	C-CARBON R	RN72K1J-472JE	1	435034724R1	NSP
R8337	C-CARBON R	RN72K1J-104JE	1	435031044R1	NSP
R8338	C-CARBON R	RN72K1J-473JE	1	435034734R1	NSP
R8339	C-CARBON R	RN72K2E-470JE	1	435224704R1	NSP
R8401	C-CARBON R	RN72K1J-220JE	1	435032204R1	NSP
R8402	C-R NET	RM7LJ220X04	1	43484722004R2	
R8403	C-CARBON R	RN72K1J-220JE	1	435032204R1	NSP
R8404	C-CARBON R	RN72K1J-220JE	1	435032204R1	NSP
R8405	C-CARBON R	RN72K1J-220JE	1	435032204R1	NSP
R8408	C-CARBON R	RN72K1J-220JE	1	435032204R1	NSP
R8409	C-CARBON R	RN72K1J-101JE	1	435031014R1	NSP
R8410	C-CARBON R	RN72K1J-000JE	1	435030004R1	NSP
R8411	C-CARBON R	RN72K1J-472JE	1	435034724R1	NSP
R8412	C-CARBON R	RN72K1J-562JE	1	435035624R1	NSP
R8413	C-CARBON R	RN72K1J-000JE	1	435030004R1	NSP
R8416	C-R NET	RM7LJ220X04	1	43484722004R2	
R8417	C-R NET	RM7LJ220X04	1	43484722004R2	
R8418	C-R NET	RM7LJ220X04	1	43484722004R2	
R8419	C-R NET	RM7LJ220X04	1	43484722004R2	
R8420	C-R NET	RM7LJ220X04	1	43484722004R2	
R8421	C-R NET	RM7LJ220X04	1	43484722004R2	
R8422	C-R NET	RM7LJ220X04	1	43484722004R2	
R8423	C-R NET	RM7LJ220X04	1	43484722004R2	
R8424	C-R NET	RM7LJ220X04	1	43484722004R2	
R8425	C-CARBON R	RN72K1J-220JE	1	435032204R1	NSP
R8426	C-R NET	RM7LJ220X04	1	43484722004R2	
R8427	C-CARBON R	RN72K1J-100JE	1	435031004R1	NSP
R8428	C-CARBON R	RN72K1J-100JE	1	435031004R1	NSP
R8429	C-CARBON R	RN72K1J-101JE	1	435031014R1	NSP
R8430	C-CARBON R	RN72K1J-101JE	1	435031014R1	NSP
R8431	C-CARBON R	RN72K1J-101JE	1	435031014R1	NSP
R8432	C-CARBON R	RN72K1J-101JE	1	435031014R1	NSP
R8433	C-CARBON R	RN72K1J-100JE	1	435031004R1	NSP
R8434	C-CARBON R	RN72K1J-103JE	1	435031034R1	NSP
R8435	C-CARBON R	RN72K1J-823JE	1	435038234R1	NSP
R8436	C-CARBON R	RN72K1J-330JE	1	435033304R1	NSP
R8442	C-CARBON R	RN72K1J-000JE	1	435030004R1	NSP
R8501	C-CARBON R	RN72K1J-330JE	1	435033304R1	NSP
R8502	C-CARBON R	RN72K1J-330JE	1	435033304R1	NSP
R8503	C-CARBON R	RN72K1J-330JE	1	435033304R1	NSP
R8504	C-R NET	RM7LJ330X04	1	43484733004R2	

R8505	C-R NET	RM7LJ330X04	1	43484733004R2	
R8506	C-CARBON R	RN72K1J-120JE	1	435031204R1	NSP
R8507	C-R NET	RM7LJ330X04	1	43484733004R2	
R8508	C-R NET	RM7LJ330X04	1	43484733004R2	
R8509	C-R NET	RM7LJ330X04	1	43484733004R2	
R8510	C-R NET	RM7LJ330X04	1	43484733004R2	
R8511	C-R NET	RM7LJ330X04	1	43484733004R2	
R8512	C-R NET	RM7LJ330X04	1	43484733004R2	
R8513	C-R NET	RM7LJ330X04	1	43484733004R2	
R8516	C-CARBON R	RN72K1J-101JE	1	435031014R1	NSP
R8517	C-CARBON R	RN72K1J-101JE	1	435031014R1	NSP
R8518	C-CARBON R	RN72K1J-472JE	1	435034724R1	NSP
R8519	C-CARBON R	RN72K1J-151JE	1	435031514R1	NSP
R8520	C-CARBON R	RN72K1J-330JE	1	435033304R1	NSP
R8521	C-CARBON R	RN72K1J-330JE	1	435033304R1	NSP
R8522	C-R NET	RM7LJ330X04	1	43484733004R2	
R8523	C-CARBON R	RN72K1J-330JE	1	435033304R1	NSP
R8524	C-CARBON R	RN72K1J-330JE	1	435033304R1	NSP
R8525	C-CARBON R	RN72K1J-472JE	1	435034724R1	NSP
R8526	C-CARBON R	RN72K1J-472JE	1	435034724R1	NSP
R8527	C-CARBON R	RN72K1J-562JE	1	435035624R1	NSP
R8528	C-CARBON R	RN72K1J-562JE	1	435035624R1	NSP
R8530	C-CARBON R	RN72K1J-105JE	1	435031054R1	NSP
R8531	C-CARBON R	RN72K1J-000JE	1	435030004R1	NSP
R8532	C-CARBON R	RN72K1J-000JE	1	435030004R1	NSP
R8533	C-CARBON R	RN72K1J-000JE	1	435030004R1	NSP
R8534	C-CARBON R	RN72K1J-330JE	1	435033304R1	NSP
R8595	C-CARBON R	RN72K1J-101JE	1	435031014R1	NSP
R8607	C-CARBON R	RN72K1J-473JE	1	435034734R1	NSP
R8608	C-CARBON R	RN72K1J-473JE	1	435034734R1	NSP
R8609	C-CARBON R	RN72K1J-000JE	1	435030004R1	NSP
R8610	C-CARBON R	RN72K1J-000JE	1	435030004R1	NSP
R8617	C-CARBON R	RN72K1J-473JE	1	435034734R1	NSP
R8618	C-CARBON R	RN72K1J-473JE	1	435034734R1	NSP
R8619	C-CARBON R	RN72K1J-000JE	1	435030004R1	NSP
R8620	C-CARBON R	RN72K1J-000JE	1	435030004R1	NSP
R8627	C-CARBON R	RN72K1J-473JE	1	435034734R1	NSP
R8628	C-CARBON R	RN72K1J-473JE	1	435034734R1	NSP
R8629	C-CARBON R	RN72K1J-000JE	1	435030004R1	NSP
R8630	C-CARBON R	RN72K1J-000JE	1	435030004R1	NSP
R8637	C-CARBON R	RN72K1J-473JE	1	435034734R1	NSP
R8638	C-CARBON R	RN72K1J-473JE	1	435034734R1	NSP
R8639	C-CARBON R	RN72K1J-000JE	1	435030004R1	NSP

R8640	C-CARBON R	RN72K1J-000JE	1	435030004R1	NSP
R8701	C-CARBON R	RN72K1J-103JE	1	435031034R1	NSP
R8702	C-CARBON R	RN72K1J-103JE	1	435031034R1	NSP
R8703	C-CARBON R	RN72K1J-103JE	1	435031034R1	NSP
R8704	C-CARBON R	RN72K1J-103JE	1	435031034R1	NSP
R8705	C-CARBON R	RN72K1J-220JE	1	435032204R1	NSP
R8706	C-CARBON R	RN72K1J-220JE	1	435032204R1	NSP
R8707	C-CARBON R	RN72K1J-220JE	1	435032204R1	NSP
R8708	C-CARBON R	RN72K1J-103JE	1	435031034R1	NSP
R8709	C-CARBON R	RN72K1J-103JE	1	435031034R1	NSP
R8710	C-CARBON R	RN72K1J-103JE	1	435031034R1	NSP
R8711	C-CARBON R	RN72K1J-222JE	1	435032224R1	NSP
R8712	C-R NET	RM7LJ222X04	1	43484722204R2	
R8713	C-R NET	RM7LJ222X04	1	43484722204R2	
R8714	C-R NET	RM7LJ222X04	1	43484722204R2	
R8715	C-R NET	RM7LJ103X04	1	43484710304R2	
R8716	C-CARBON R	RN72K1J-103JE	1	435031034R1	NSP
R8717	C-CARBON R	RN72K1J-103JE	1	435031034R1	NSP
R8718	C-CARBON R	RN72K1J-220JE	1	435032204R1	NSP
R8719	C-CARBON R	RN72K1J-103JE	1	435031034R1	NSP
R8720	C-CARBON R	RN72K1J-220JE	1	435032204R1	NSP
R8721	C-CARBON R	RN72K1J-220JE	1	435032204R1	NSP
R8722	C-CARBON R	RN72K1J-103JE	1	435031034R1	NSP
R8723	C-CARBON R	RN72K1J-103JE	1	435031034R1	NSP
R8724	C-R NET	RM7LJ103X04	1	43484710304R2	
R8725	C-CARBON R	RN72K1J-103JE	1	435031034R1	NSP
R8726	C-CARBON R	RN72K1J-103JE	1	435031034R1	NSP
R8727	C-CARBON R	RN72K1J-103JE	1	435031034R1	NSP
R8728	C-CARBON R	RN72K1J-103JE	1	435031034R1	NSP
R8729	C-CARBON R	RN72K1J-103JE	1	435031034R1	NSP
R8730	C-CARBON R	RN72K1J-222JE	1	435032224R1	NSP
R8731	C-CARBON R	RN72K1J-222JE	1	435032224R1	NSP
R8732	C-R NET	RM7LJ103X04	1	43484710304R2	
R8733	C-CARBON R	RN72K1J-103JE	1	435031034R1	NSP
R8734	C-CARBON R	RN72K1J-103JE	1	435031034R1	NSP
R8735	C-CARBON R	RN72K1J-103JE	1	435031034R1	NSP
R8736	C-CARBON R	RN72K1J-103JE	1	435031034R1	NSP
R8738	C-CARBON R	RN72K1J-103JE	1	435031034R1	NSP
R8739	C-CARBON R	RN72K1J-103JE	1	435031034R1	NSP
R8740	C-CARBON R	RN72K1J-103JE	1	435031034R1	NSP
R8741	C-CARBON R	RN72K1J-103JE	1	435031034R1	NSP
R8742	C-CARBON R	RN72K1J-000JE	1	435030004R1	NSP
R8743	C-CARBON R	RN72K1J-103JE	1	435031034R1	NSP

R8744	C-CARBON R	RN72K1J-103JE	1	435031034R1	NSP
R8745	C-CARBON R	RN72K1J-103JE	1	435031034R1	NSP
R8746	C-CARBON R	RN72K1J-103JE	1	435031034R1	NSP
R8747	C-CARBON R	RN72K1J-103JE	1	435031034R1	NSP
R8749	C-CARBON R	RN72K1J-220JE	1	435032204R1	NSP
R8750	C-CARBON R	RN72K1J-000JE	1	435030004R1	NSP
R8751	C-CARBON R	RN72K1J-000JE	1	435030004R1	NSP
R8752	C-CARBON R	RN72K1J-000JE	1	435030004R1	NSP
R8753	C-CARBON R	RN72K1J-103JE	1	435031034R1	NSP
R8754	C-CARBON R	RN72K1J-103JE	1	435031034R1	NSP
R8755	C-CARBON R	RN72K1J-101JE	1	435031014R1	NSP
R8756	C-CARBON R	RN72K1J-101JE	1	435031014R1	NSP
R8757	C-CARBON R	RN72K1J-103JE	1	435031034R1	NSP
R8758	C-CARBON R	RN72K1J-103JE	1	435031034R1	NSP
R8802	C-CARBON R	RN72K1J-100JE	1	435031004R1	NSP
R8803	C-CARBON R	RN72K1J-000JE	1	435030004R1	NSP
R8804	C-CARBON R	RN72K1J-103JE	1	435031034R1	NSP
R8805	C-CARBON R	RN72K1J-000JE	1	435030004R1	NSP
R8806	C-R NET	RM7LJ220X04	1	43484722004R2	
R8807	C-R NET	RM7LJ220X04	1	43484722004R2	
R8808	C-R NET	RM7LJ220X04	1	43484722004R2	
R8809	C-R NET	RM7LJ220X04	1	43484722004R2	
R8810	C-R NET	RM7LJ220X04	1	43484722004R2	
R8811	C-R NET	RM7LJ220X04	1	43484722004R2	
R8812	C-CARBON R	RN72K1J-000JE	1	435030004R1	NSP
R8813	C-CARBON R	RN72K1J-220JE	1	435032204R1	NSP
R8814	C-CARBON R	RN72K1J-220JE	1	435032204R1	NSP
R8815	C-CARBON R	RN72K1J-220JE	1	435032204R1	NSP
R8816	C-R NET	RM7LJ220X04	1	43484722004R2	
R8817	C-R NET	RM7LJ220X04	1	43484722004R2	
R8818	C-R NET	RM7LJ220X04	1	43484722004R2	
R8819	C-R NET	RM7LJ220X04	1	43484722004R2	
R8820	C-R NET	RM7LJ220X04	1	43484722004R2	
R8821	C-R NET	RM7LJ220X04	1	43484722004R2	
R8822	C-R NET	RM7LJ220X04	1	43484722004R2	
R8823	C-R NET	RM7LJ220X04	1	43484722004R2	
R8901	C-CARBON R	RN72K1J-103JE	1	435031034R1	NSP
R8902	C-CARBON R	RN72K1J-393JE	1	435033934R1	NSP
R8903	C-CARBON R	RN72K1J-103JE	1	435031034R1	NSP
R8904	C-CARBON R	RN72K1J-103JE	1	435031034R1	NSP
R8905	C-CARBON R	RN72K1J-000JE	1	435030004R1	NSP
R8906	C-CARBON R	RN72K1J-272JE	1	435032724R1	NSP
R8907	C-CARBON R	RN72K1J-223JE	1	435032234R1	NSP

R8908	C-CARBON R	RN72K1J-103JE	1	435031034R1	NSP
R8909	C-CARBON R	RN72K1J-334JE	1	435033344R1	NSP
R8910	C-CARBON R	RN72K1J-103JE	1	435031034R1	NSP
R8911	C-CARBON R	RN72K1J-682JE	1	435036824R1	NSP
R8912	C-CARBON R	RN72K1J-104JE	1	435031044R1	NSP
R8913	C-CARBON R	RN72K2E-330JE	1	435223304R1	NSP
R8914	C-CARBON R	RN72K1J-103JE	1	435031034R1	NSP
R8915	C-CARBON R	RN72K1J-102JE	1	435031024R1	NSP
R8916	C-CARBON R	RN72K1J-102JE	1	435031024R1	NSP
R8917	C-CARBON R	RN72K1J-472JE	1	435034724R1	NSP
R8918	C-CARBON R	RN72K1J-683JE	1	435036834R1	NSP
R8919	C-CARBON R	RN72K1J-103JE	1	435031034R1	NSP
R8920	C-CARBON R	RN72K2E-330JE	1	435223304R1	NSP
R8924	C-CARBON R	RN72K1J-103JE	1	435031034R1	NSP
R8951	C-CARBON R	RN72K1J-102JE	1	435031024R1	NSP
R8952	C-CARBON R	RN72K1J-104JE	1	435031044R1	NSP
R8953	C-CARBON R	RN72K1J-562JE	1	435035624R1	NSP
R8954	C-CARBON R	RN72K1J-273FE	1	435032732R1	NSP
R8956	C-CARBON R	RN72K1J-103FE	1	435031032R1	NSP
R8961	C-CARBON R	RN72K1J-102JE	1	435031024R1	NSP
R8962	C-CARBON R	RN72K1J-104JE	1	435031044R1	NSP
R8963	C-CARBON R	RN72K1J-182JE	1	435031824R1	NSP
R8964	C-CARBON R	RN72K1J-392FE	1	435033922R1	NSP
R8965	C-CARBON R	RN72K1J-563FE	1	435035632R1	NSP
R8966	C-CARBON R	RN72K1J-103FE	1	435031032R1	NSP
[SW TRM]					
JL801B	WIRE TRAP	NPLG-5P588	1	25055626	
P2801B	SOCKET	NSCT-9P2139	1	25052242	
P8001B	SOCKET	MSA-9111S-16L	1	25053258	
P8002B	SOCKET	MSA-9111S-24L	1	25053259	
P8011	SOCKET	MSA-9618S-04A	1	25053329R2	
P8302	SOCKET	HDMI(47266-4101)	1	25053389R3	
P8302 or	SOCKET	YKF45-7037V	(1)	25053253R3	
P8601	SOCKET	HDMI(47266-4101)	1	25053389R3	
P8601 or	SOCKET	YKF45-7037V	(1)	25053253R3	
P8611	SOCKET	HDMI(47266-4101)	1	25053389R3	
P8611 or	SOCKET	YKF45-7037V	(1)	25053253R3	
P8621	SOCKET	HDMI(47266-4101)	1	25053389R3	
P8621 or	SOCKET	YKF45-7037V	(1)	25053253R3	
P8631	SOCKET	HDMI(47266-4101)	1	25053389R3	
P8631 or	SOCKET	YKF45-7037V	(1)	25053253R3	
P8702	SOCKET	NSCT-9P2472	1	25052575R2	

ONKYO CORPORATION

Service Dept. Technical Support : 2-1, Nisshin-cho, Neyagawa-shi, OSAKA 572-8540, JAPAN
Tel: 072-831-8023 Fax: 072-831-8163

ONKYO U.S.A. CORPORATION

18 Park Way, Upper Saddle River, N.J. 07458, U.S.A.
Tel: 800-229-1687, 201-785-2600 Fax: 201-785-2650 <http://www.us.onkyo.com/>

ONKYO EUROPE ELECTRONICS GmbH

Liegnitzerstrasse 6, 82194 Groebenzell, GERMANY
Tel: +49-8142-4401-0 Fax: +49-8142-4401-555 <http://www.eu.onkyo.com/>

ONKYO EUROPE ELECTRONICS GmbH (UK BRANCH)

The Coach House 81A High Street, Marlow, Buckinghamshire, SL7 1AB, UK
Tel: +44-(0)1628-473-350 Fax: +44-(0)1628-401-700

ONKYO CHINA LIMITED

Unit 1&12, 9/F, Ever Gain Plaza Tower 1, 88, Container Port Road, Kwai Chung,
N.T., Hong Kong. Tel: 852-2429-3118 Fax: 852-2428-9039
<http://www.ch.onkyo.com/>