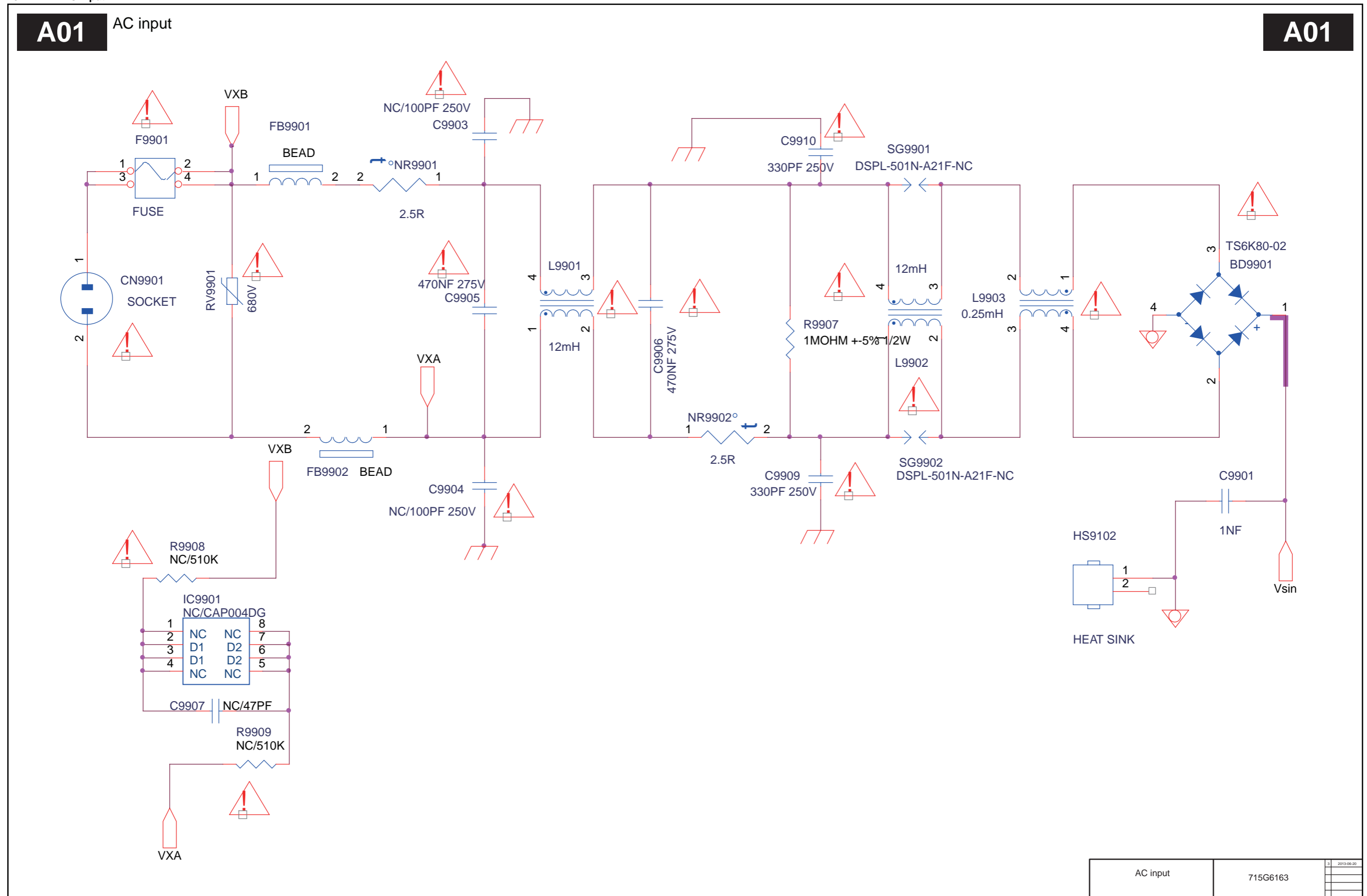


10. Circuit Diagrams and PWB Layouts

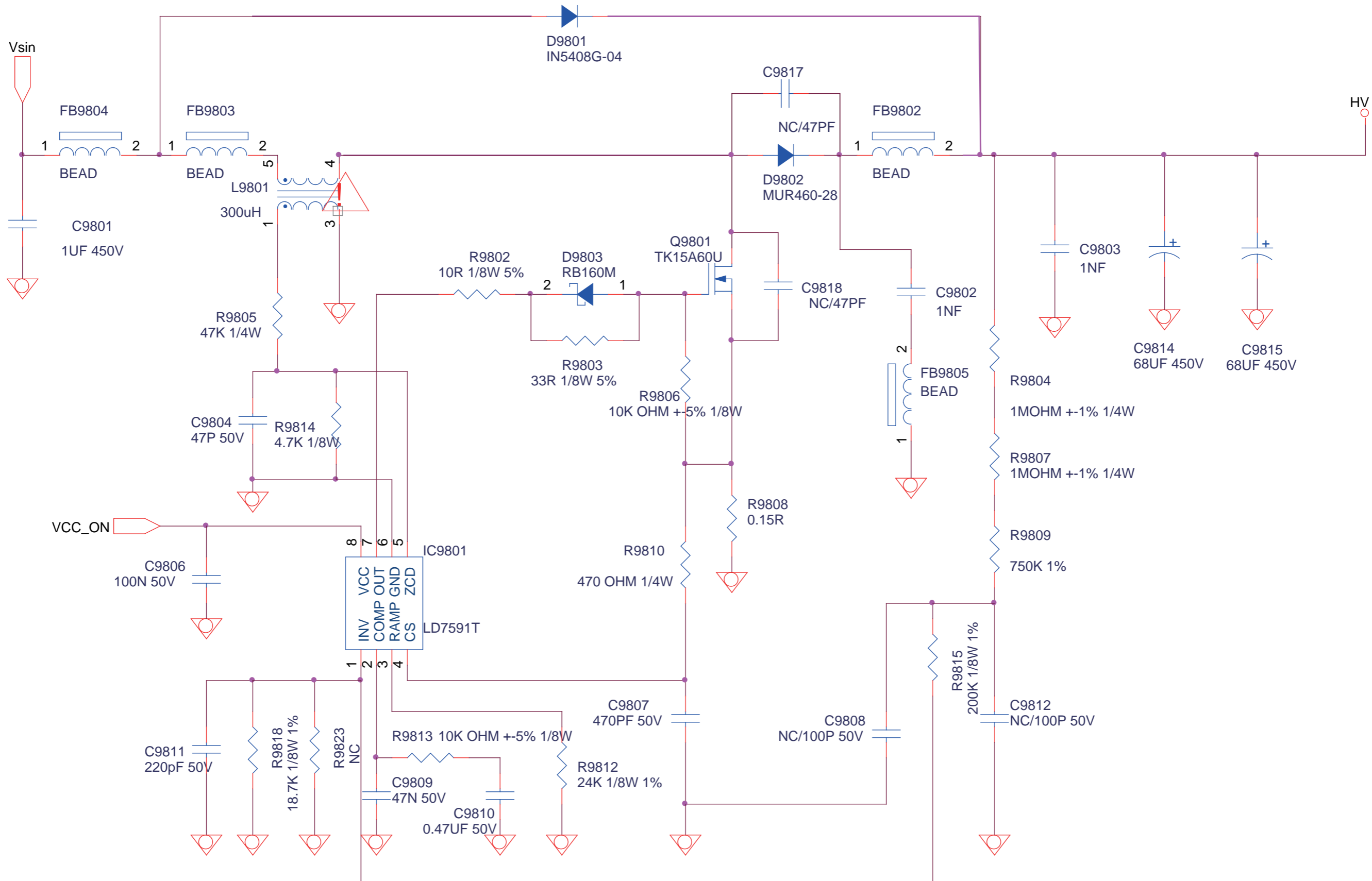
10.1 A 715G6163 PSU
10-1-1 AC input



10-1-2 PFC

A02 PFC

A02



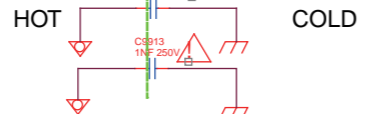
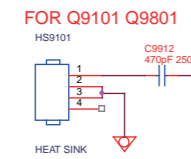
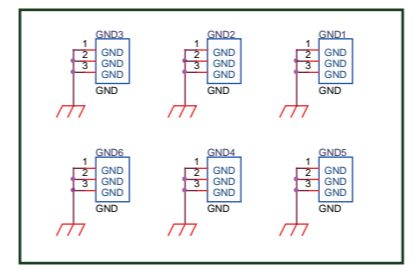
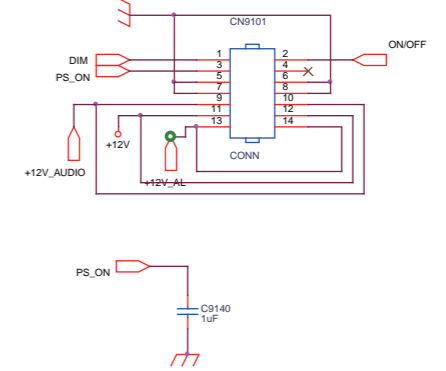
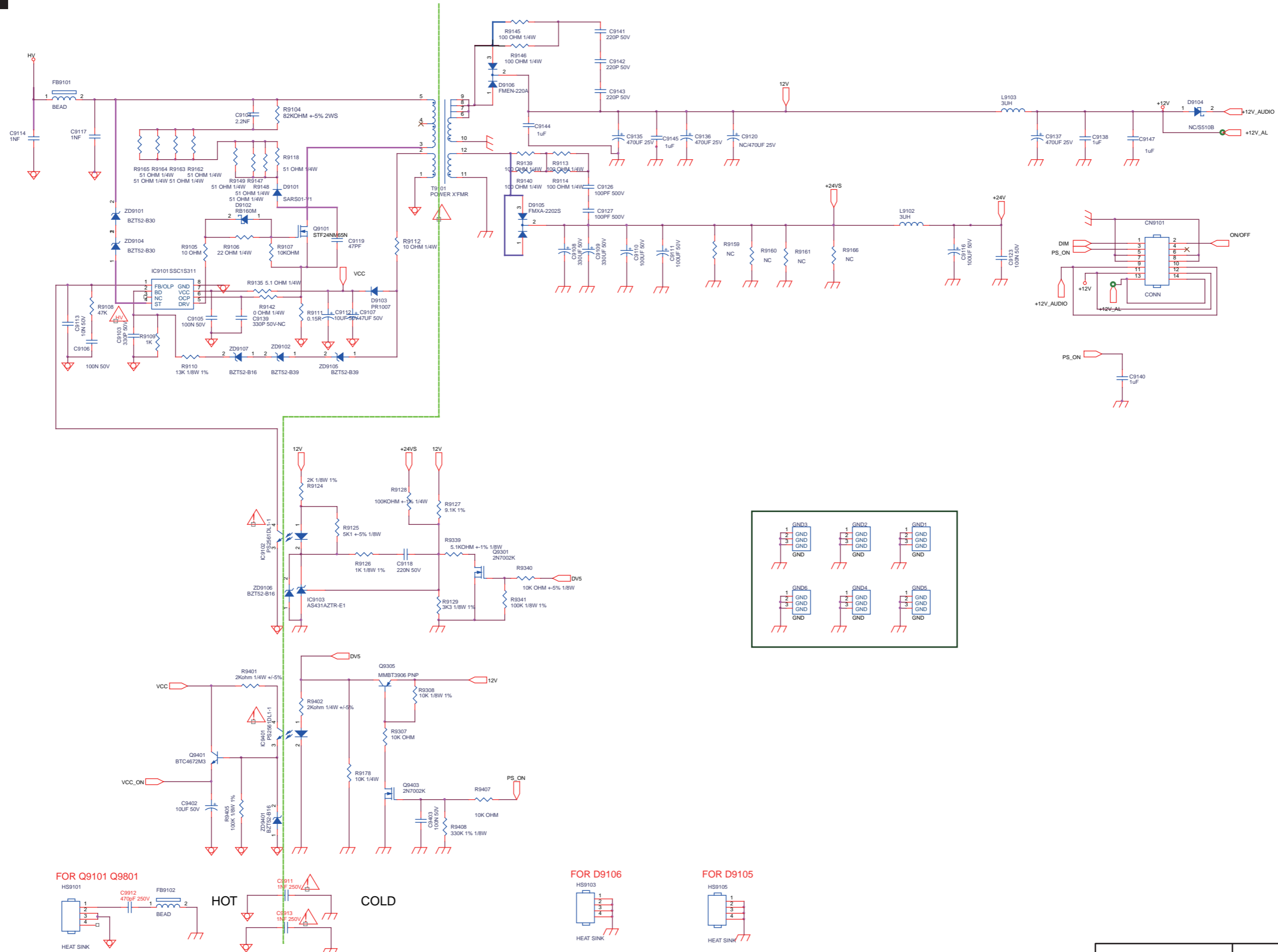
PFC	715G6163	3	2013-08-20

19530_501_130722.eps
130722

A03

Main Power

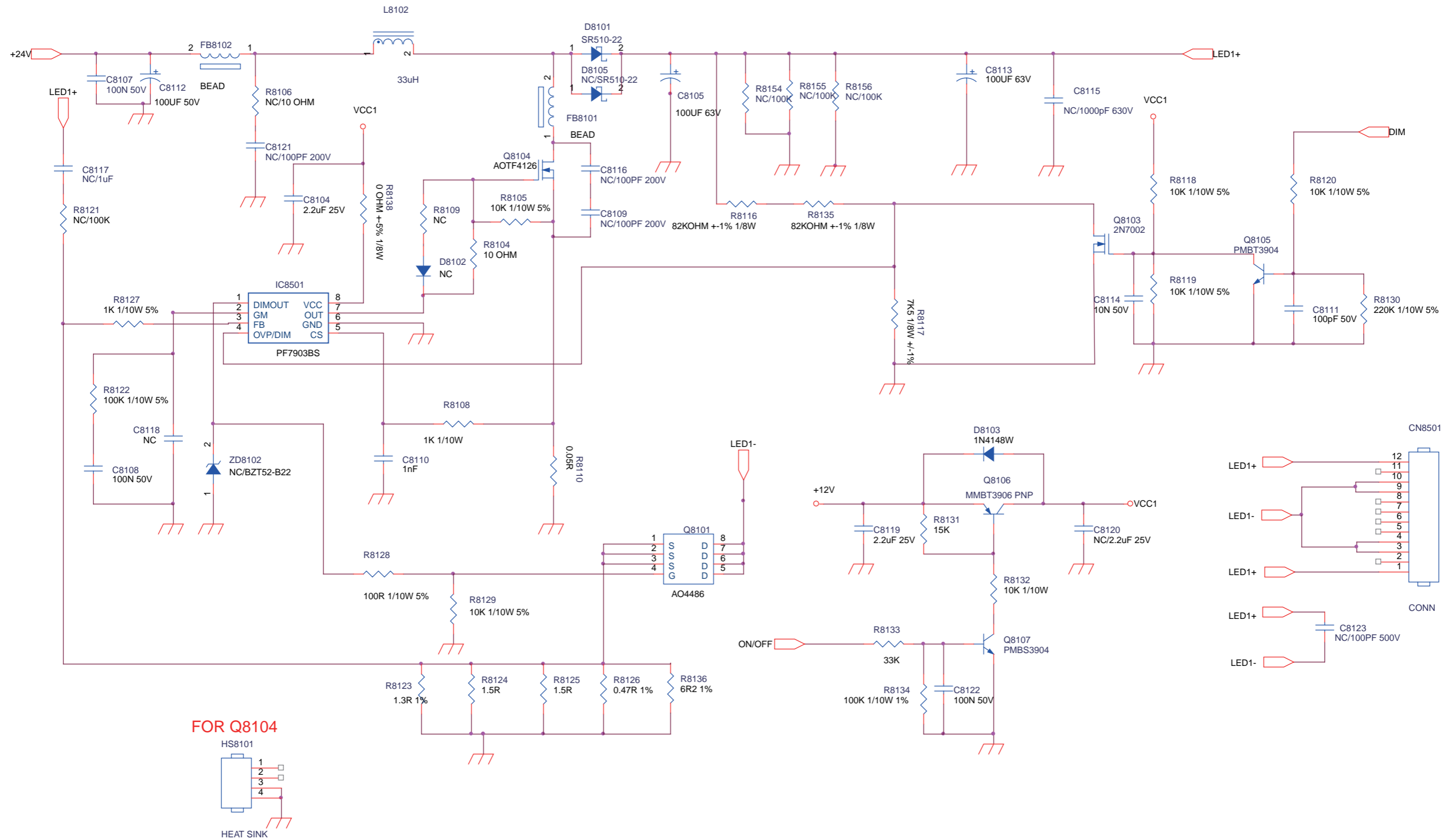
A03



Main Power	715G6163	3	2013-08-20

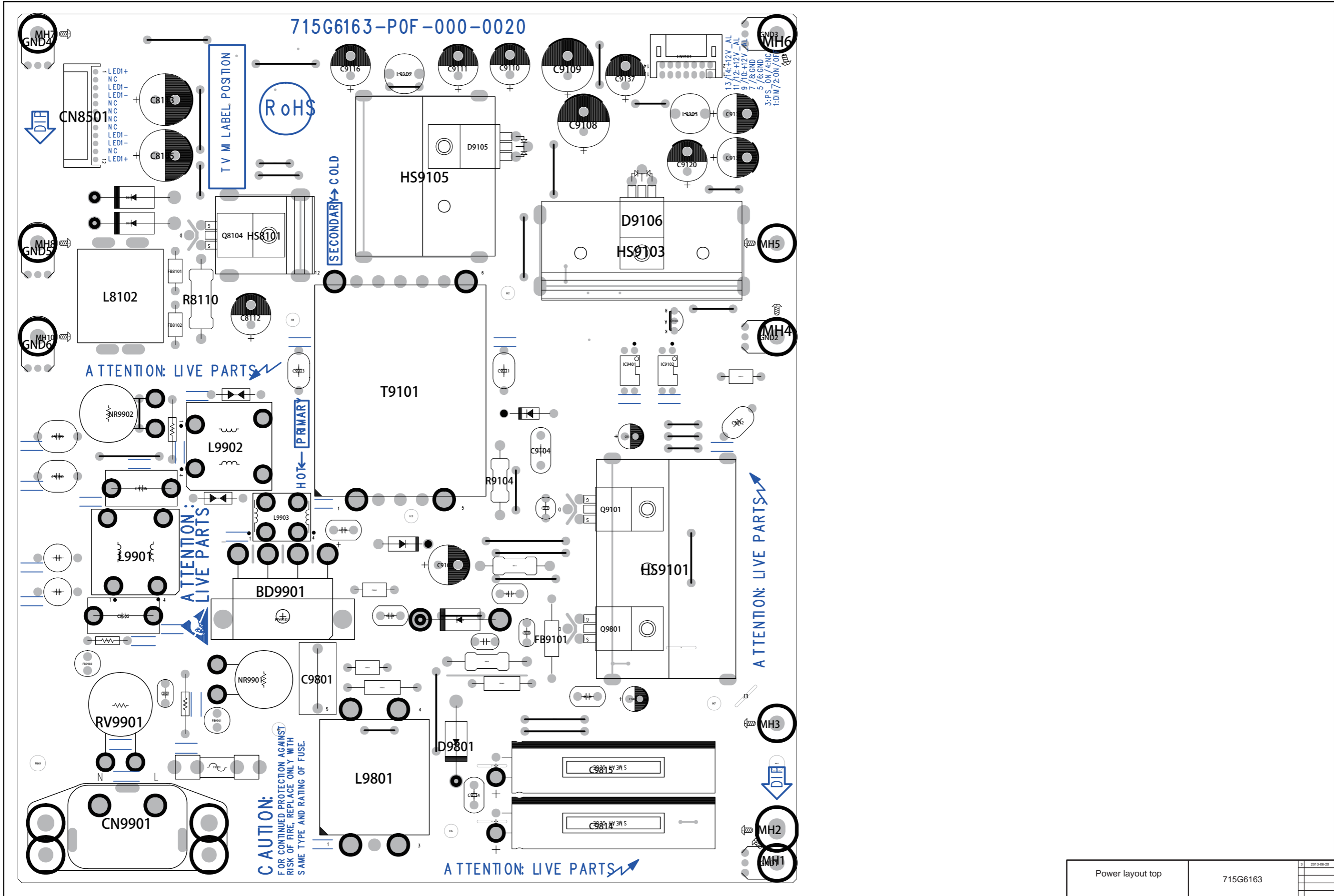
A04 LED Driver

A04

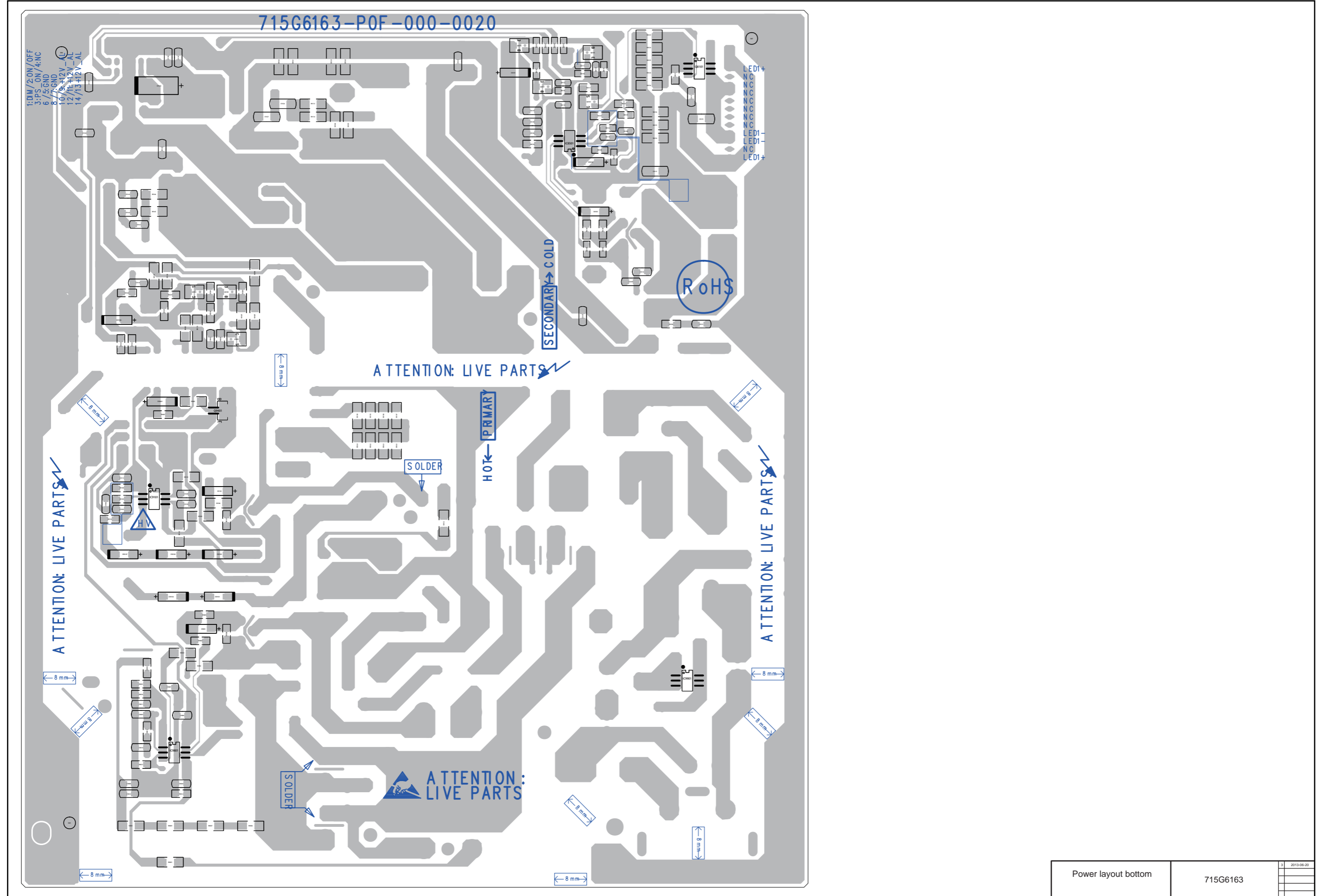


LED Driver	715G6163	3	2013-08-20

10-1-5 Power layout top



10-1-6 Power layout bottom



1:DM / 2:ON / OFF
 3:PS_ON / 4:NC
 5:PS_GND
 6:PS_GND
 7:PS_GND
 8:PS_GND
 9:PS_GND
 10:PS_GND
 11:PS_GND
 12:PS_GND
 13:PS_GND
 14:PS_GND

LED1+
 NC
 NC
 NC
 NC
 NC
 NC
 NC
 LED1-
 LED1-
 NC
 LED1+

RoHS

ATTENTION: LIVE PARTS

HOT

SOLDER

PRIMARY

SECONDARY -> C OLD

ATTENTION: LIVE PARTS

ATTENTION: LIVE PARTS

SOLDER

Power layout bottom	715G6163	2	2013-08-20

19530_505_130723.eps
 130723