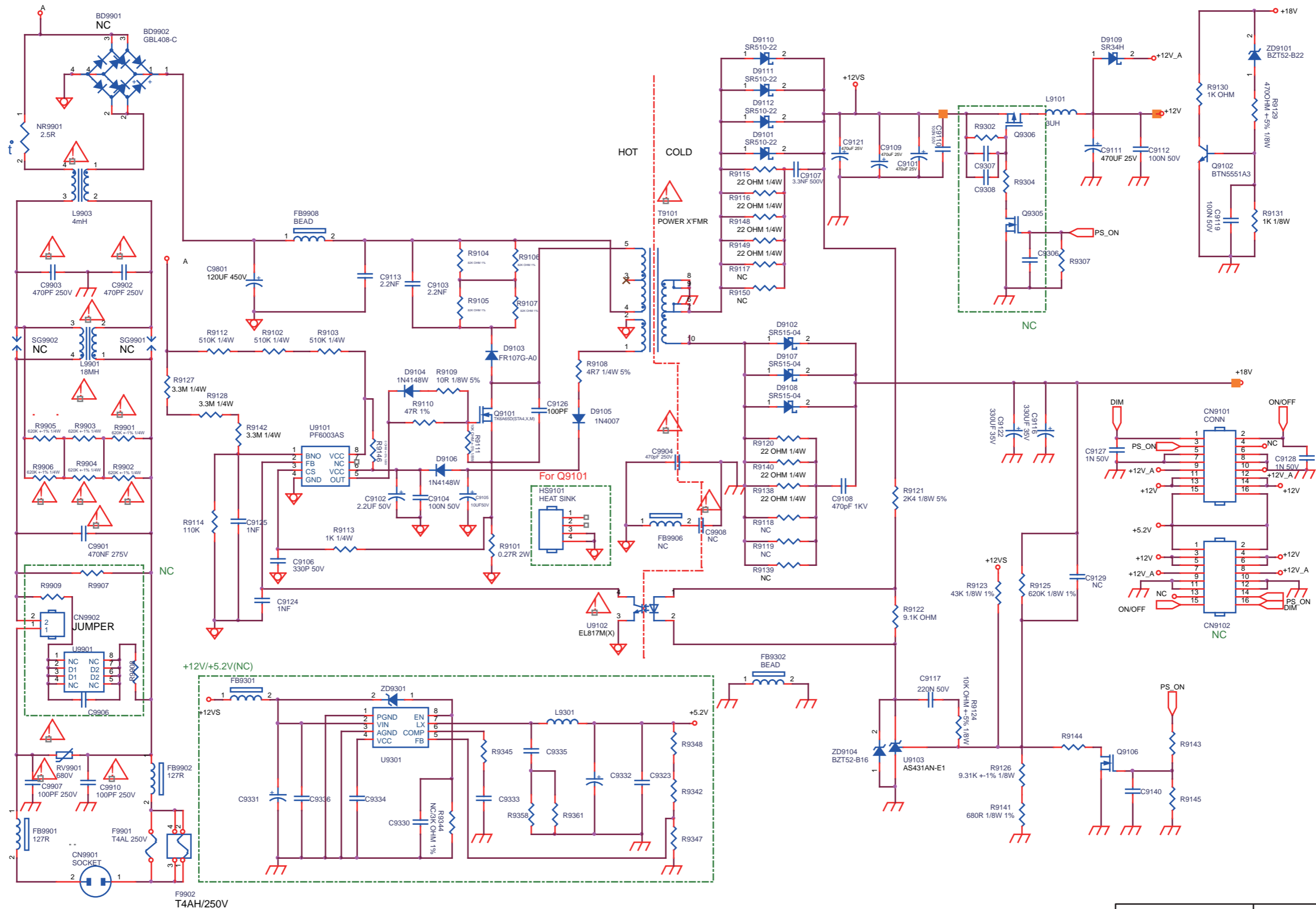


10.2 A 715G6550 PSU
10-2-1 POWER

A01 POWER

A01

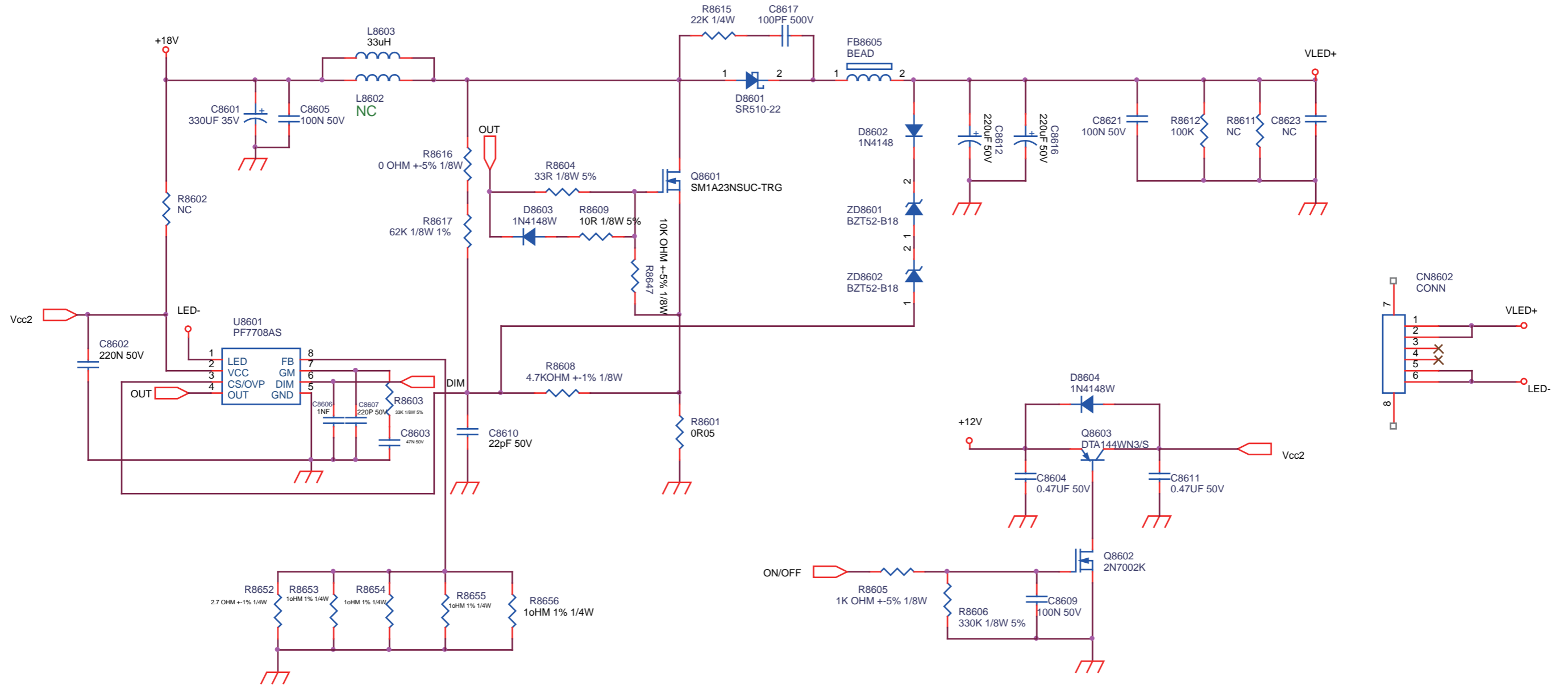


POWER	715G6550	2014-06-14

10-2-2 LED DRIVER

A02 LED DRIVER

A02



LED DRIVER	715G6550	2014-06-14

10-2-3 Power layout top

