

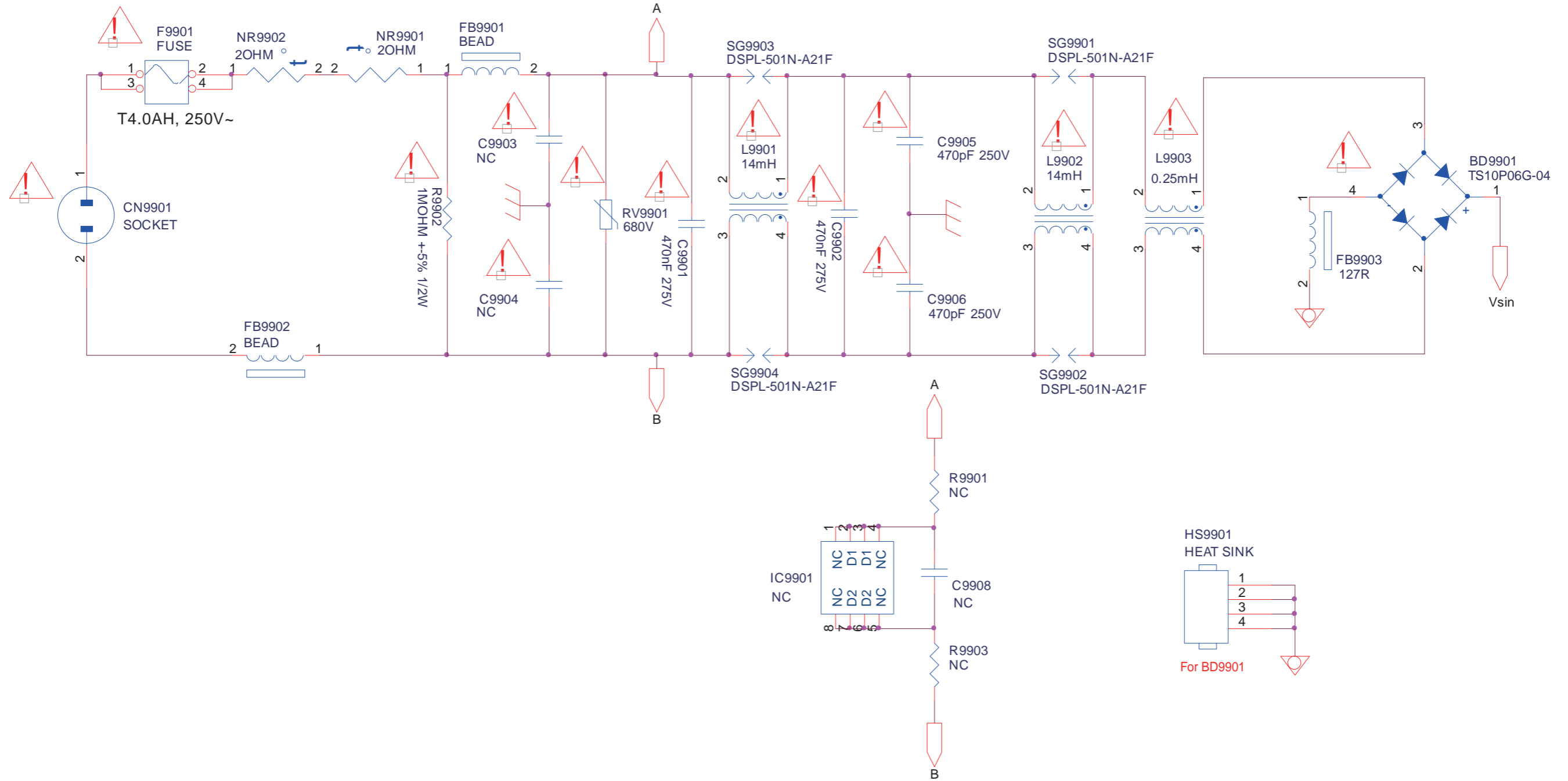
10. Circuit Diagrams and PWB Layouts

10.1 A 715G6169 PSU 10-1-1 AC input

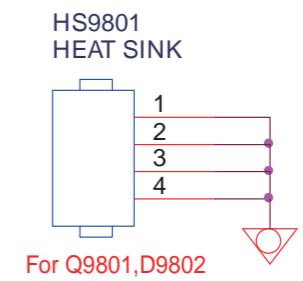
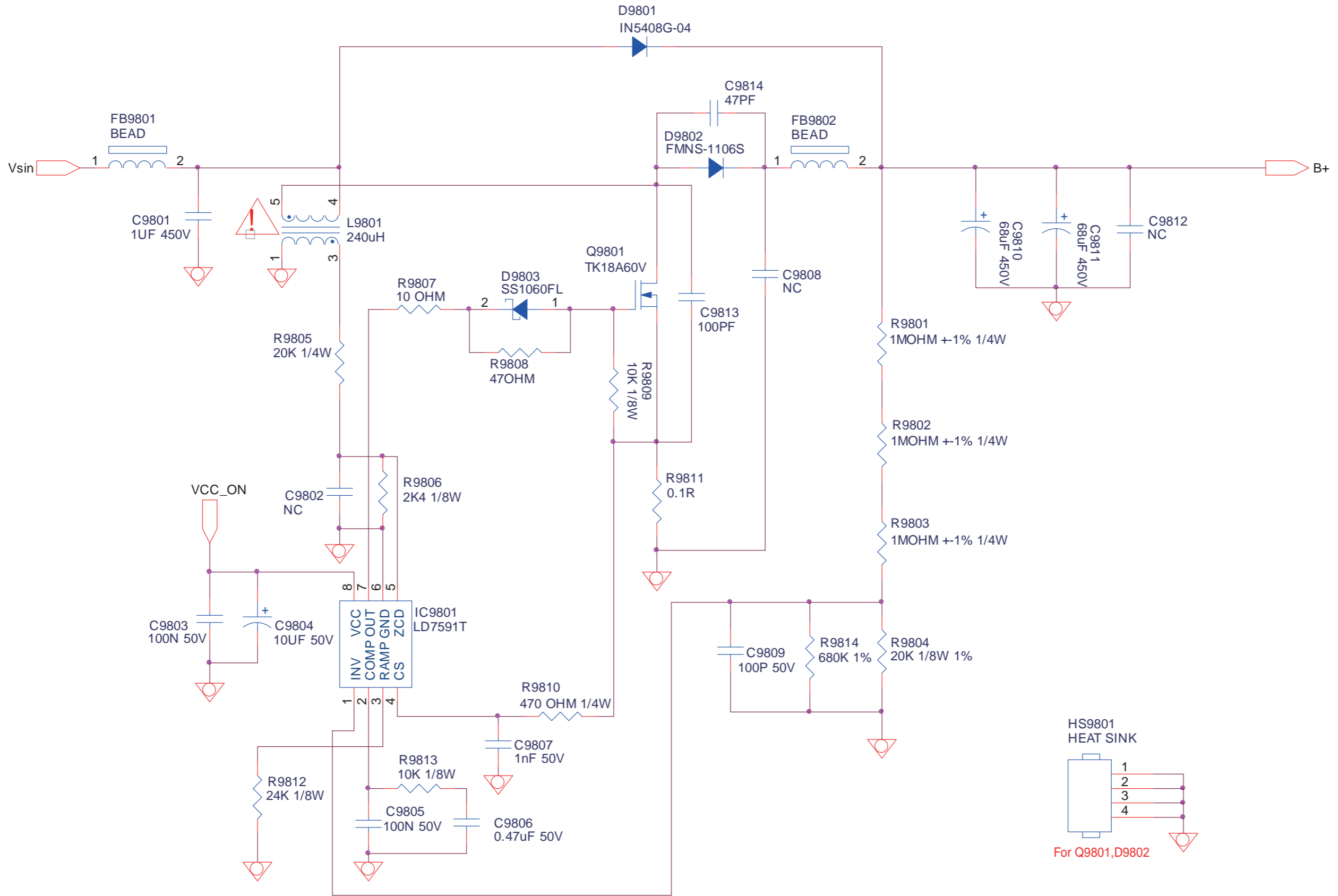
A01

AC input

A01



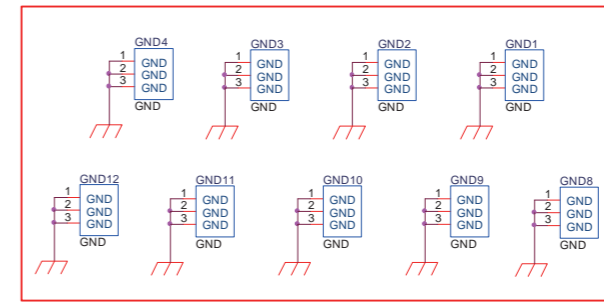
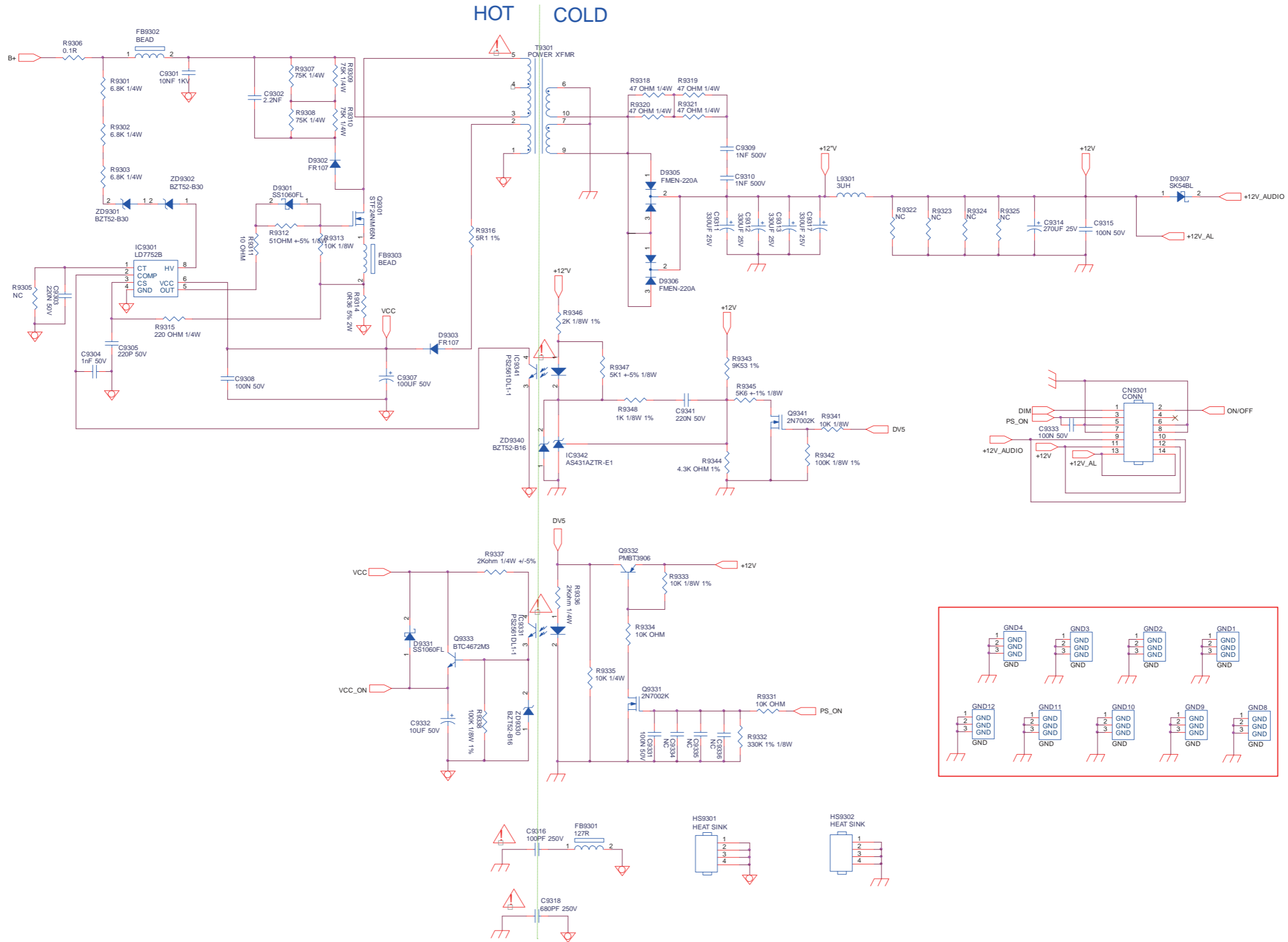
AC input	715G6169	F	2013-10-14



PFC	715G6169	1	2013-10-14

A03 Main Power 12V

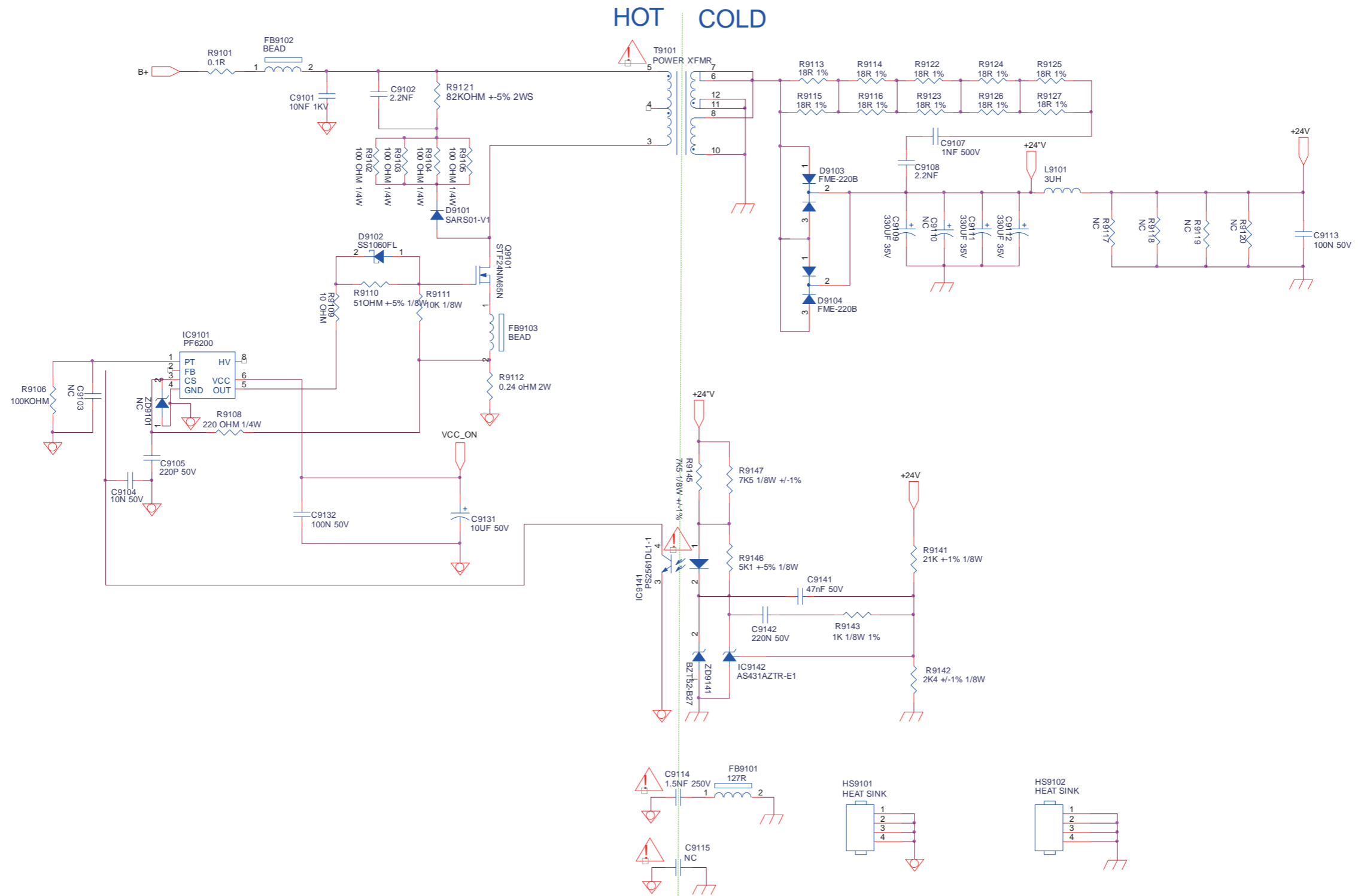
A03



Main Power 12V	715G6169	1	2013-10-14

A04 Flyback 24V

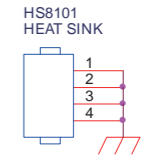
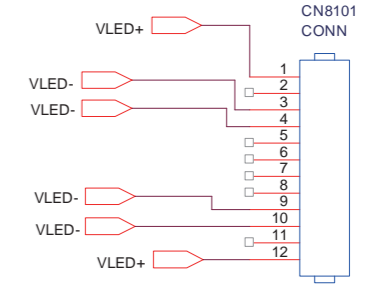
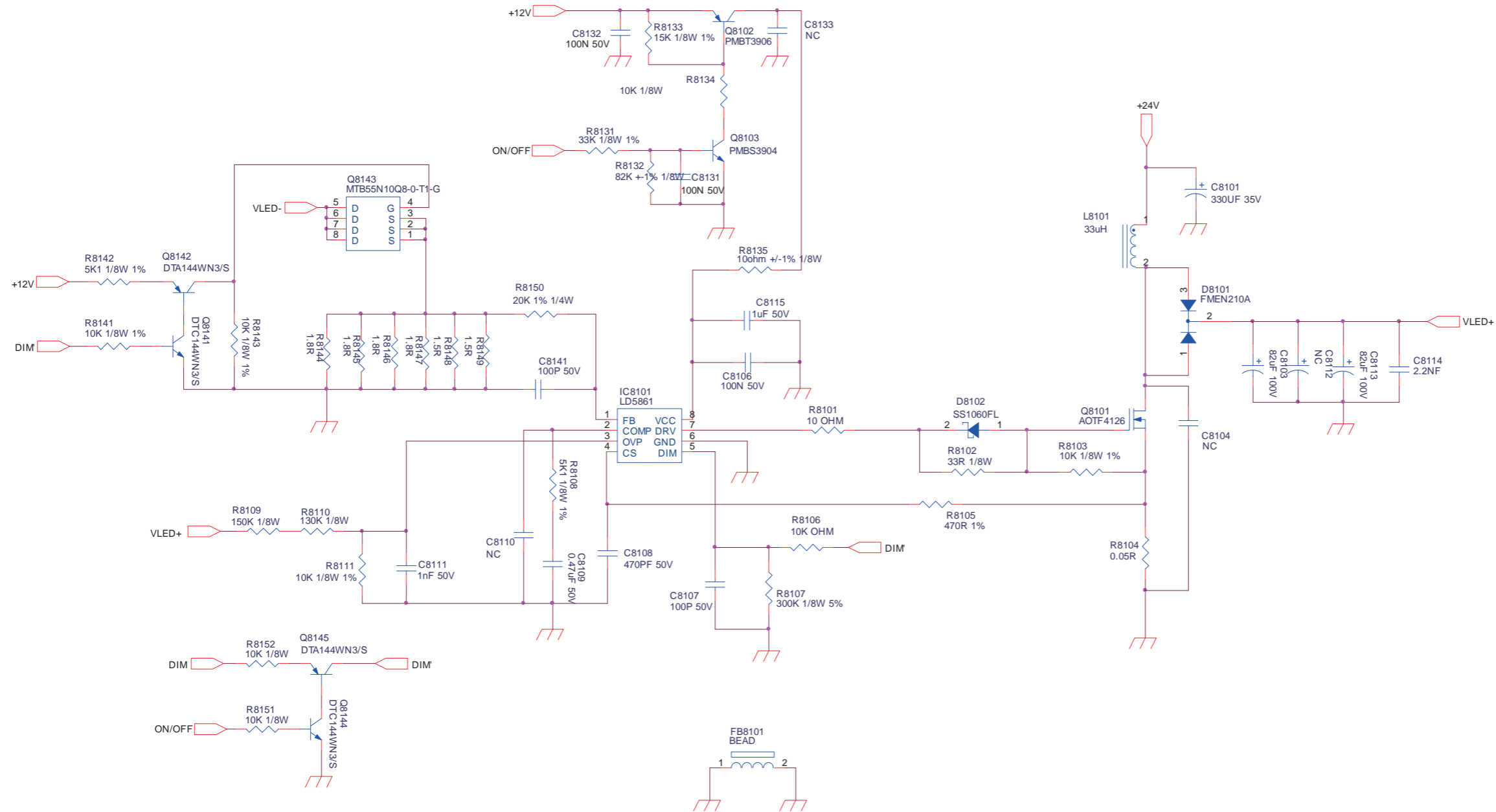
A04



Flyback 24V	715G6169	1	2013-10-14
		2	
		3	
		4	

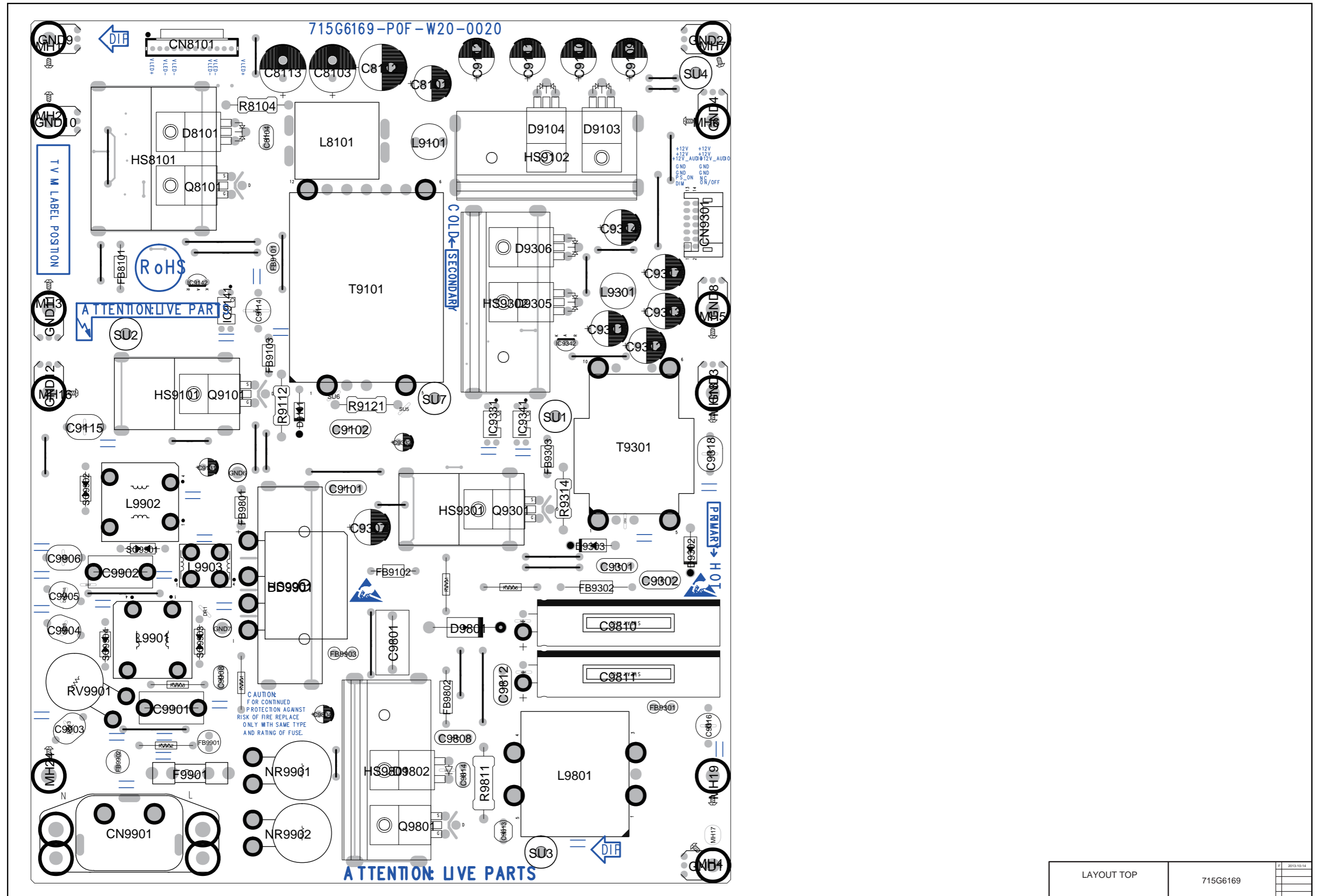
A05 LED Driver

A05



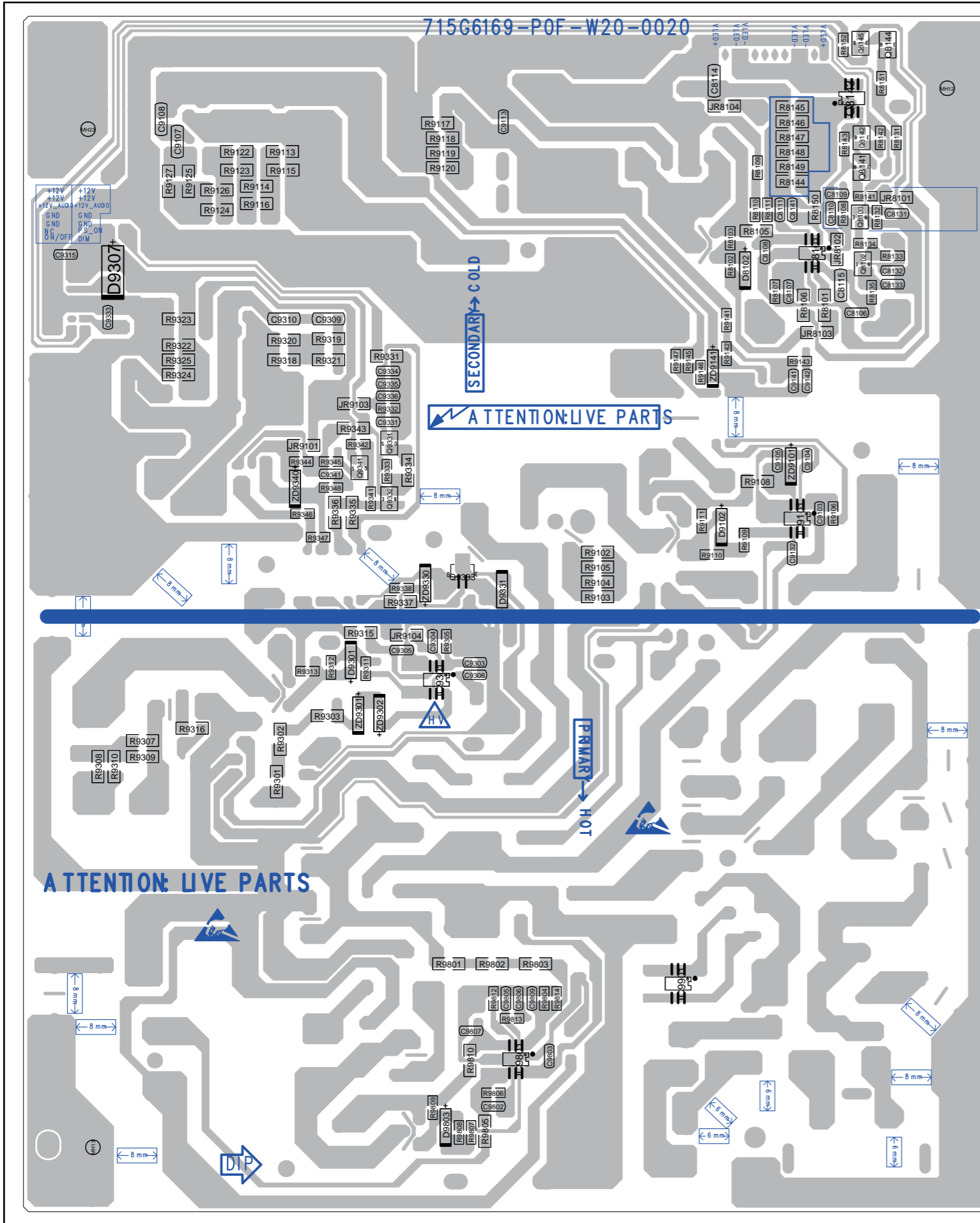
LED Driver	715G6169	1	2013-10-14

10-1-6 Power layout top



LAYOUT TOP	715G6169	2013-10-14
------------	----------	------------

10-1-7 Power layout bottom



LAYOUT BOTTOM	715G6169	1	2013-10-14