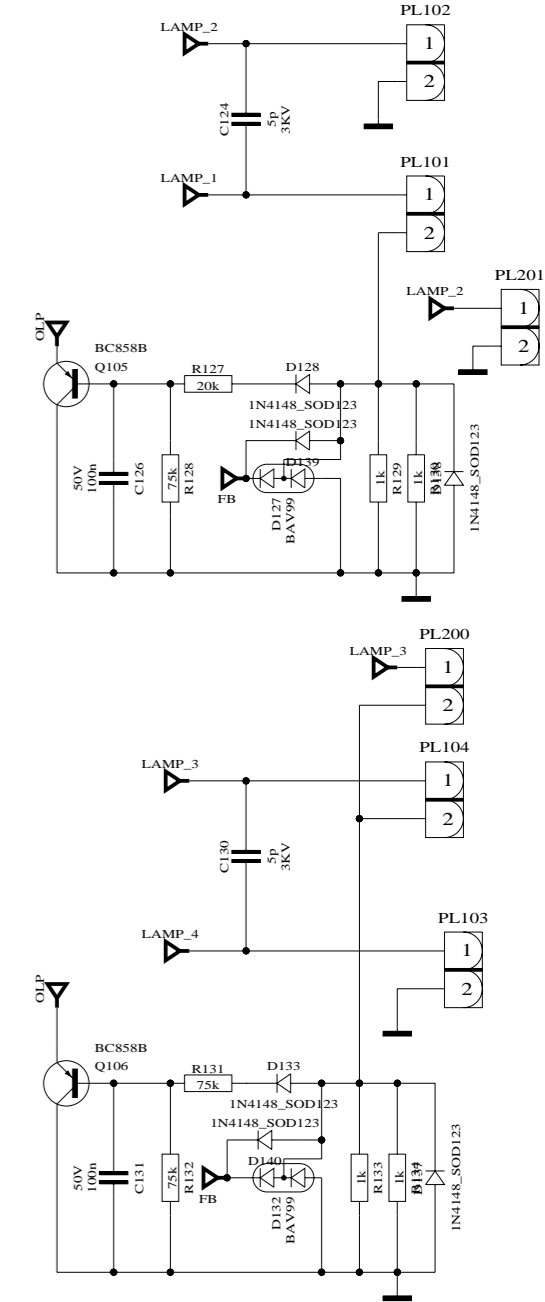
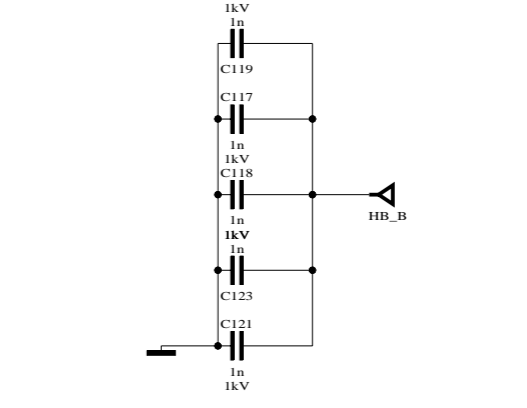
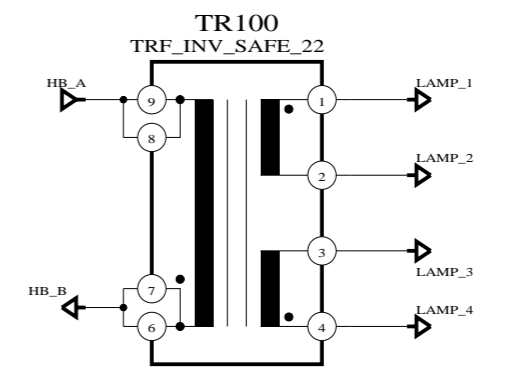
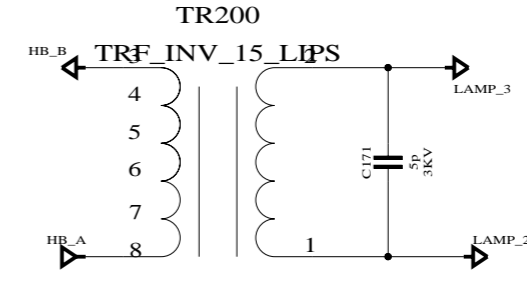
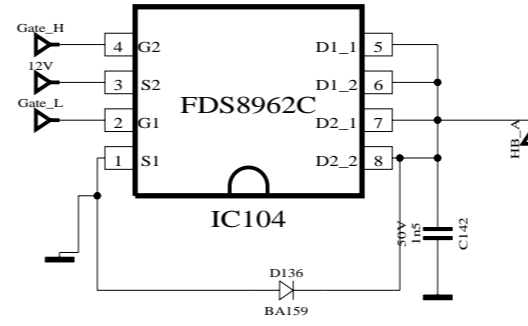
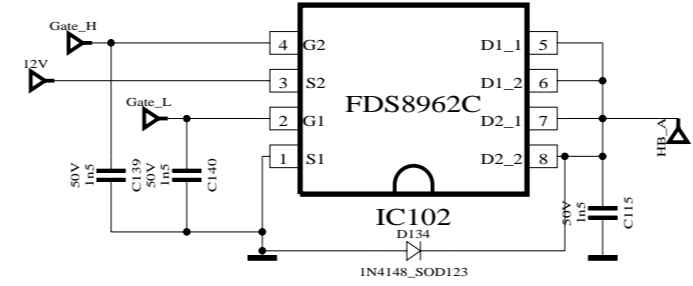
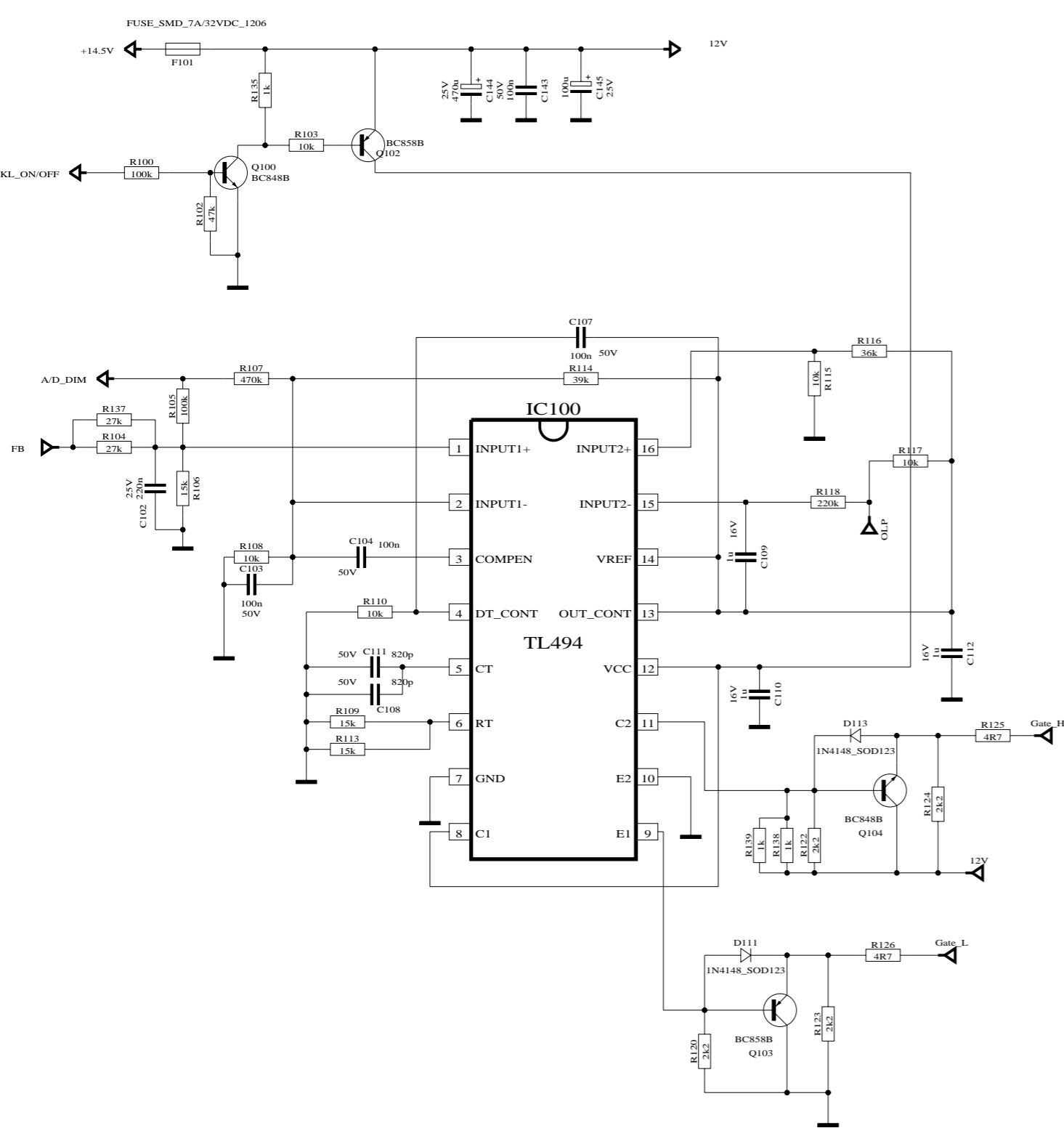


**VESTEL 16"-19"-22" LCD INTEGRATED POWER SUPPLY
17IPS15-4
—PPSU SECTIO**

Ver.	Author	DATE	Sheet
00	Emrah Akkus	12-09-2008	1/2



VESTEL 16'-19"-22" LCD INTEGRATED POWER SUPPLY
17IPS15-4 INVERTER SECTION

Ver.	Author	DATE	Sheet
00	Emrah Akkus	12.09.2008	2/2