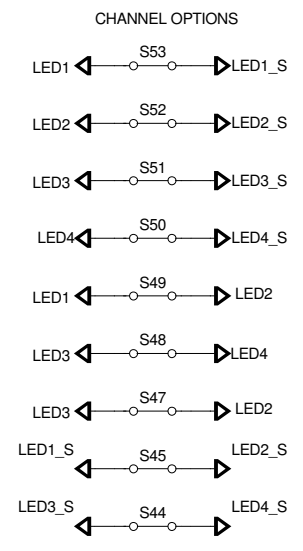
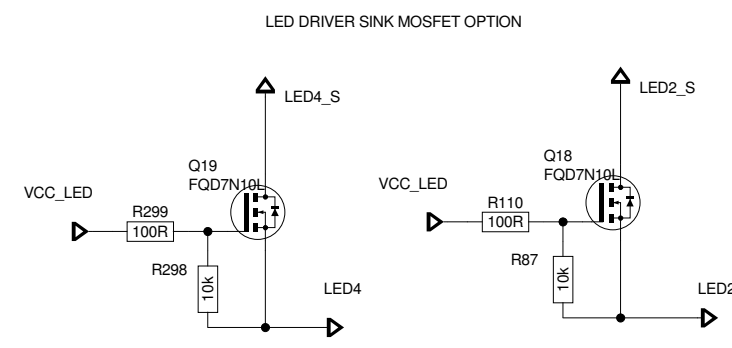
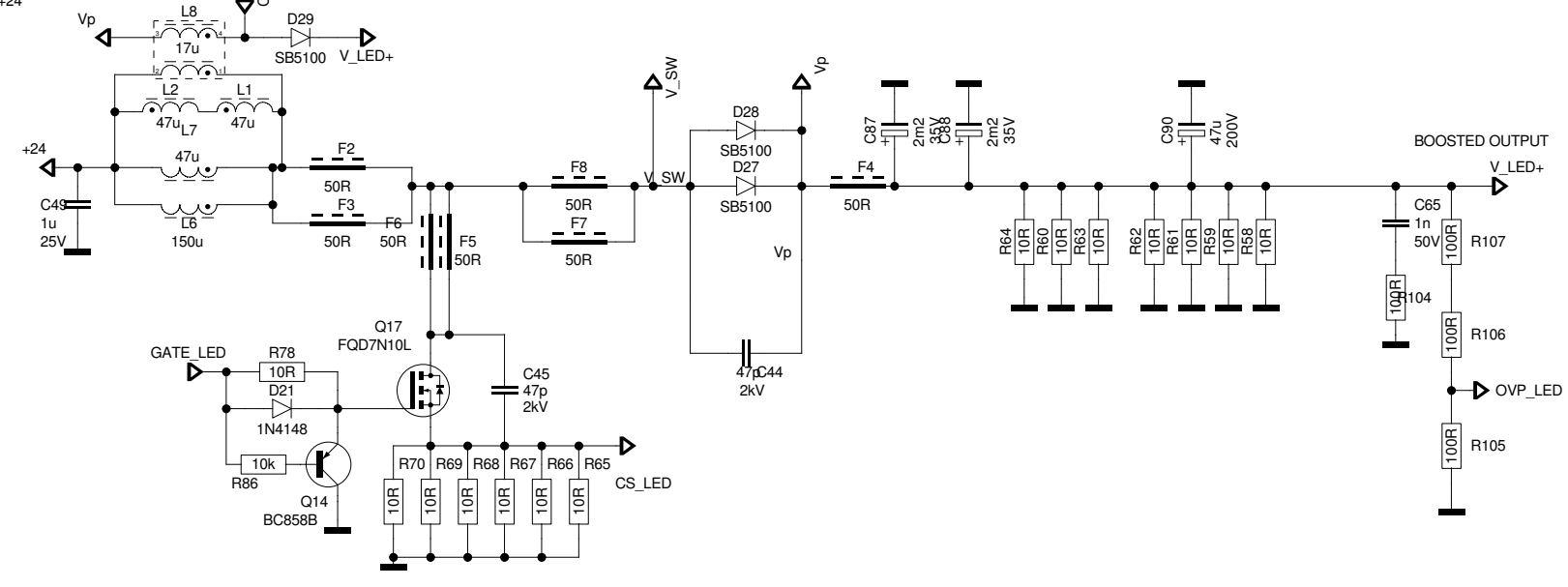
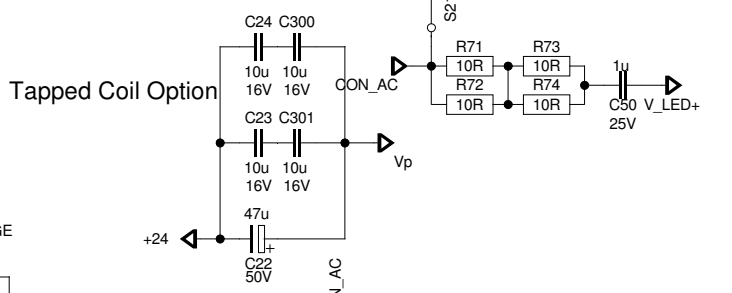
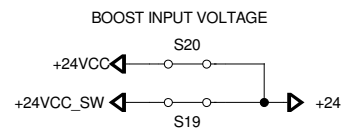
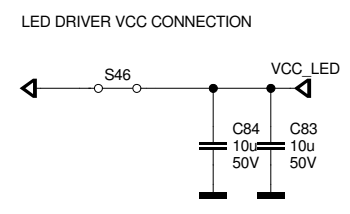
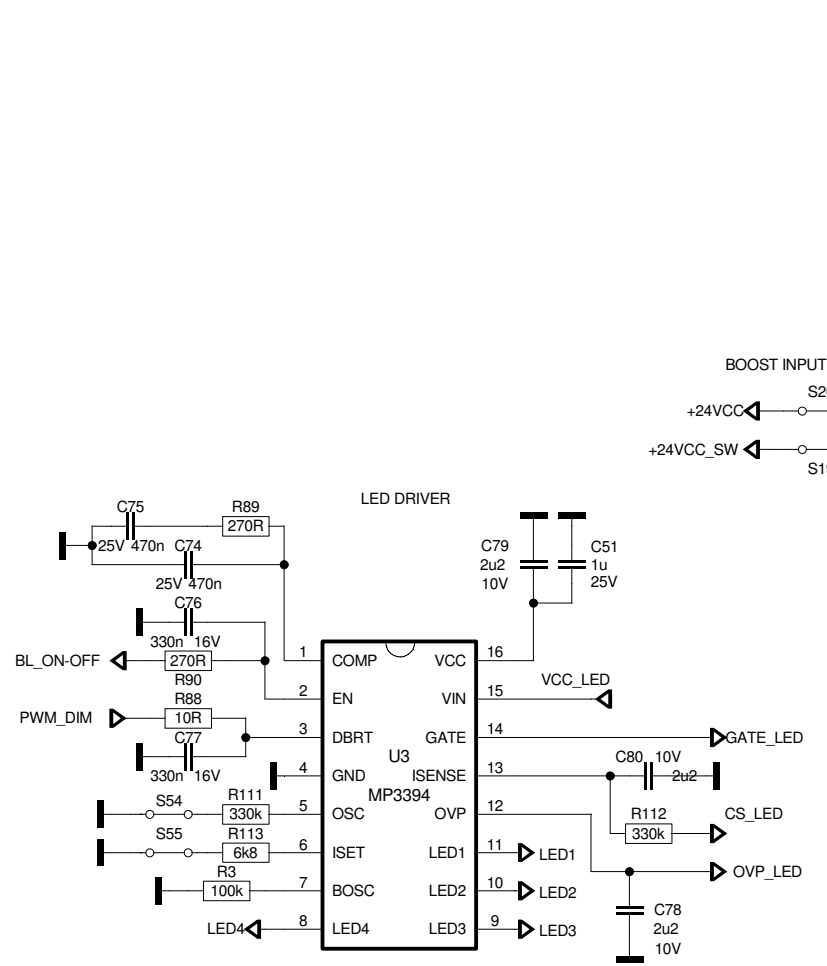


PROJECT NAME : 17ips71-r3		A3
SCH NAME : 1		T. SHT: 2
DRAWN BY : <YOUR NAME HERE>		19-11-2013_13:34



POWER BOARD to LED BARS CONNECTION

