

- sheet01 : N/A
- sheet02 : GPS, BT/WIFI
- sheet03 : N/A
- sheet04 : AUDIO part
- sheet05 : IF CON
- sheet06 : OMAP4430 AP, MOVINAND
- sheet07 : AP PMIC, CHARGER, BAT CON
- sheet08 : LCD Part, IRDA & KEY
- sheet09 : 3M CAM & TSP

## Service schematics

N/A

Samsung  
Confidential

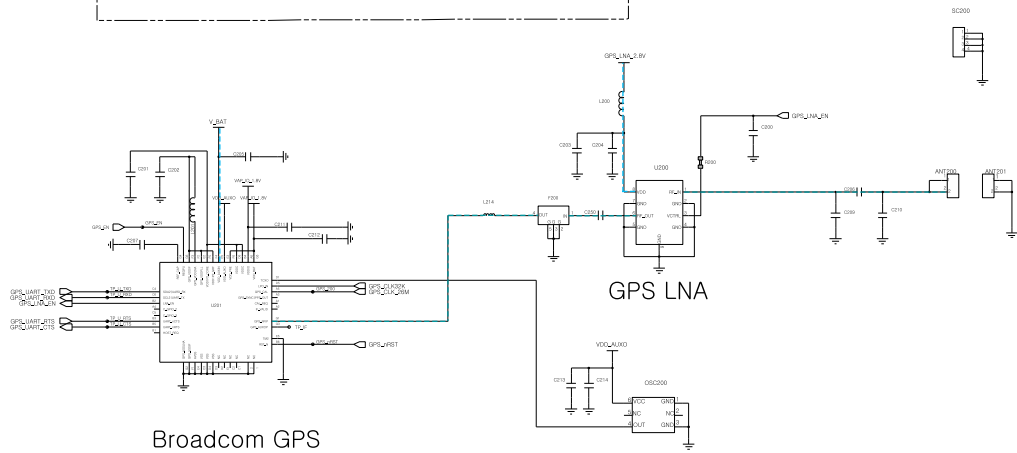


BOTH

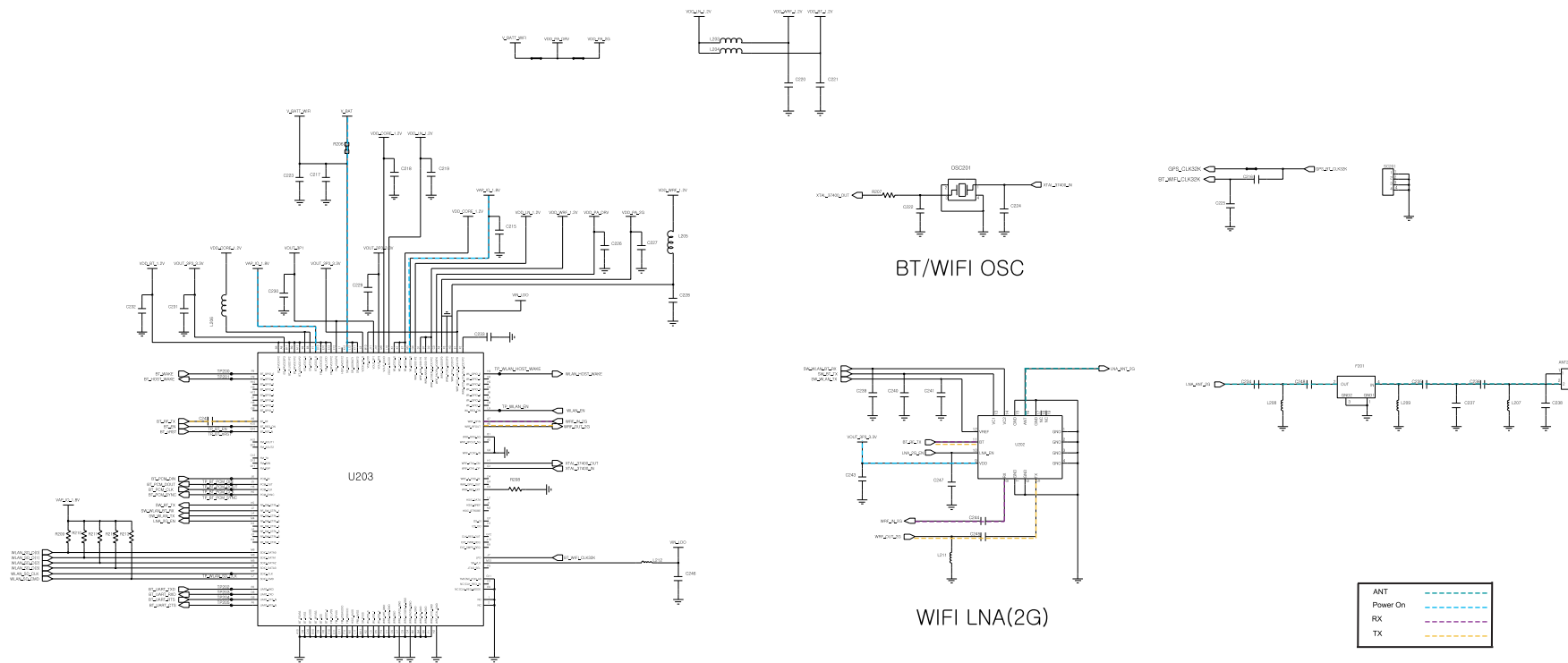
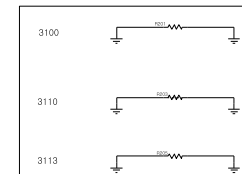


**Service schematics**

CONNECTIVITY\_PART



Broadcom GPS



BT/WIFI OSC

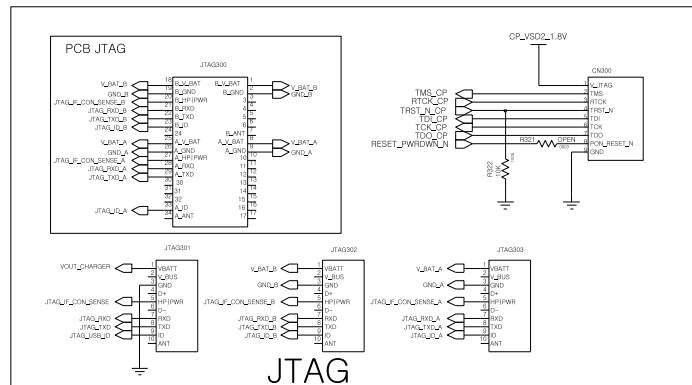
WIFI LNA(2G)



# Service schematics

# N/A

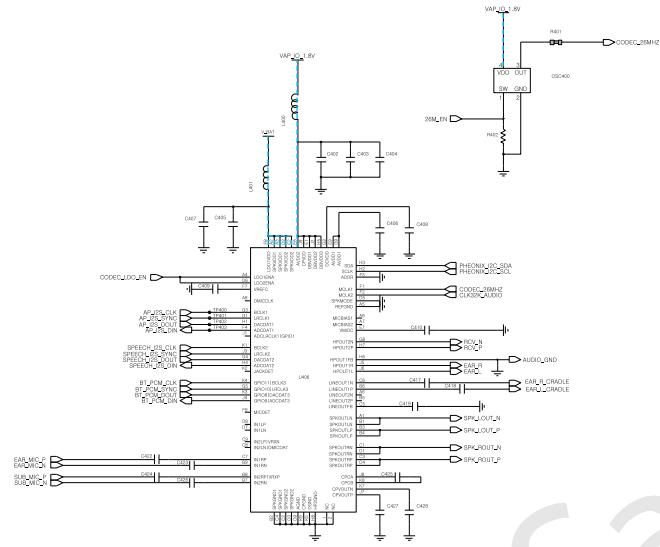
Samsung  
 Confidential



ANT	-----
Power On	-----
RX	-----
TX	-----

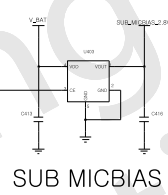
Service schematics

Audio PART

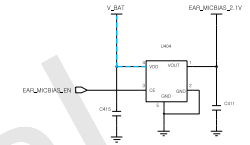


AUDIO CODEC

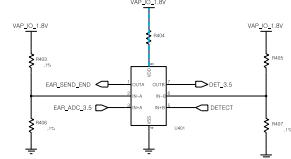
MIC BIAS LDO



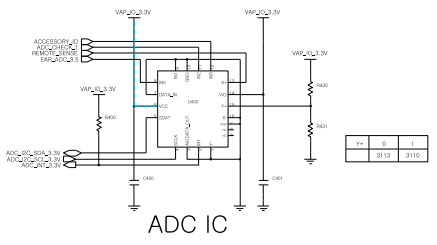
SUB MICBIAS



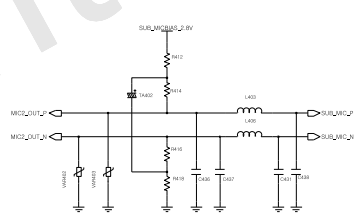
EAR MICBIAS



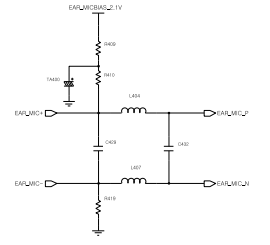
Comparator



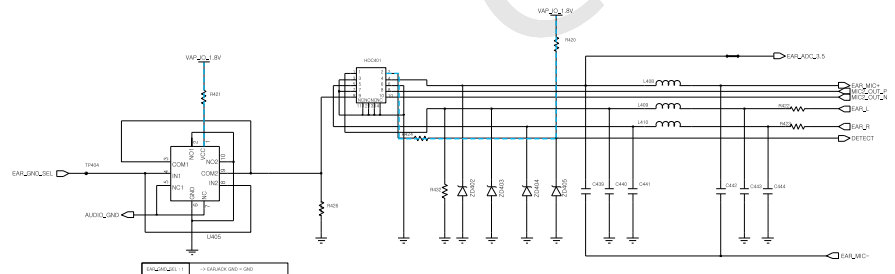
ADC IC



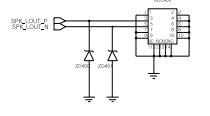
Sub MIC



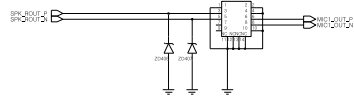
Ear MIC



3.5PI EARJACK + SUB MIC



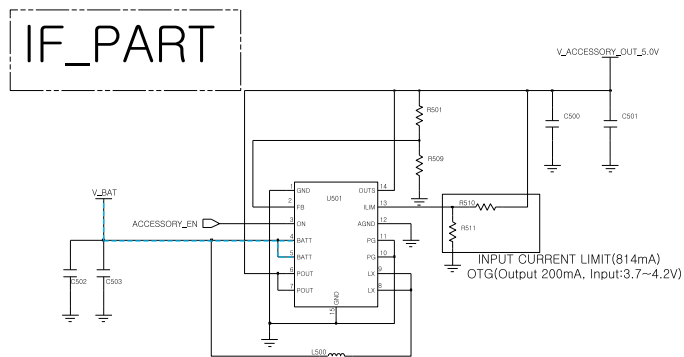
Left SPK conn



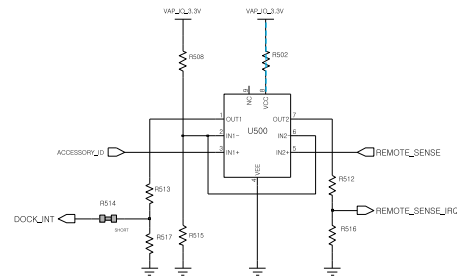
Right SPK / MOT conn

ANT	--- (dashed blue)
Power On	--- (dashed red)
RX	--- (dashed purple)
TX	--- (dashed yellow)

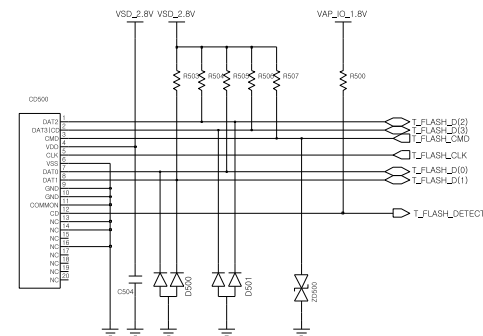
### Service schematics



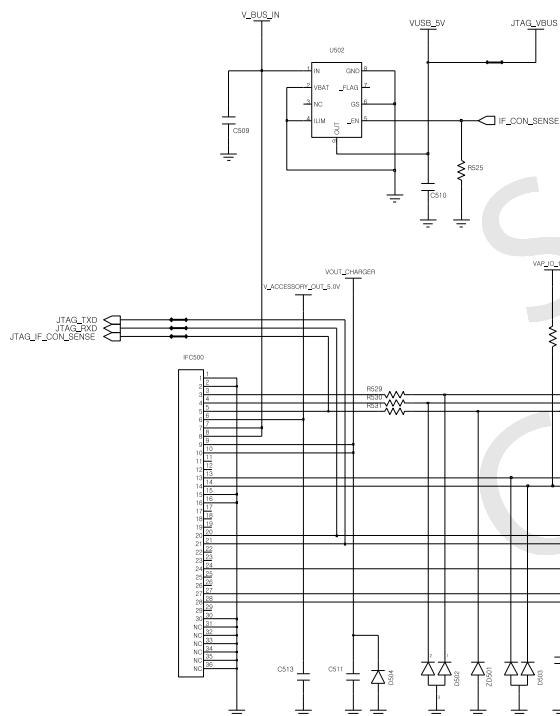
ACCESSORY\_PWR



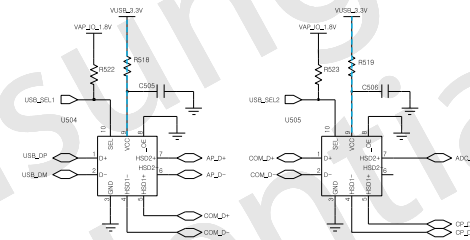
ACCESSORY\_INT



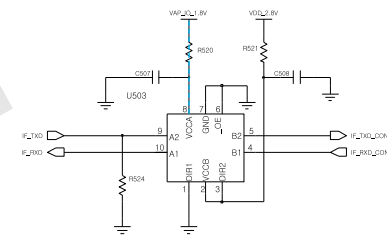
T-FLASH CONN



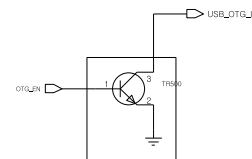
30pin I/F CONNECTOR



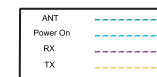
USB SWITCH IC



UART Level Shifter

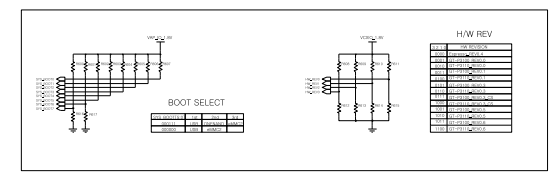
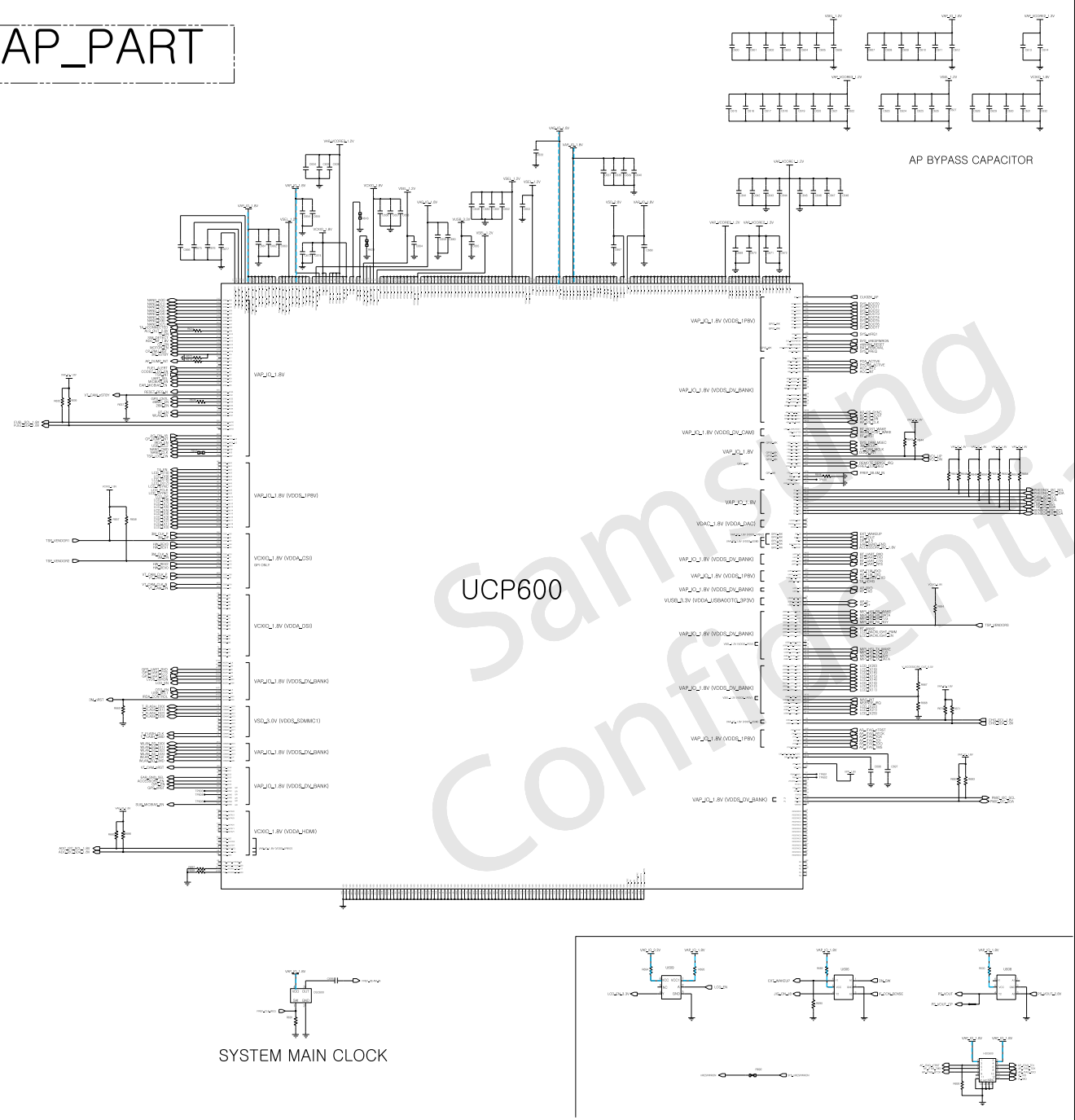


OTG Enable

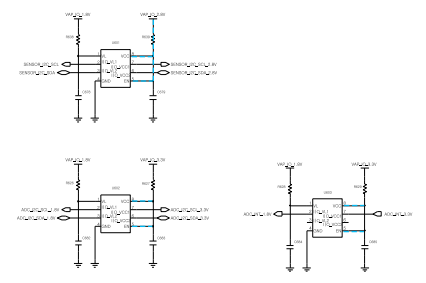


**Service schematics**

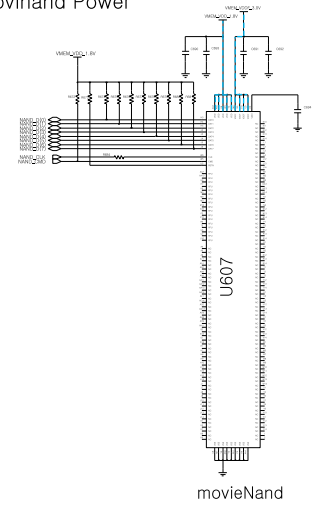
AP\_PART



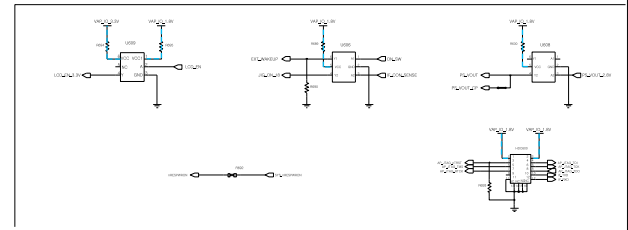
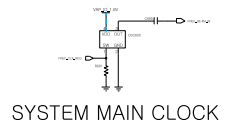
AP BYPASS CAPACITOR



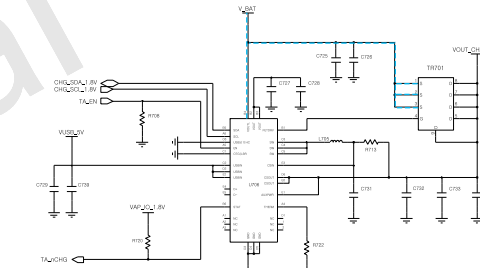
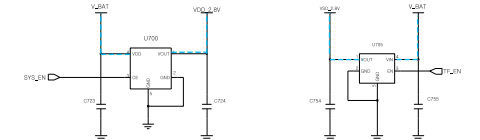
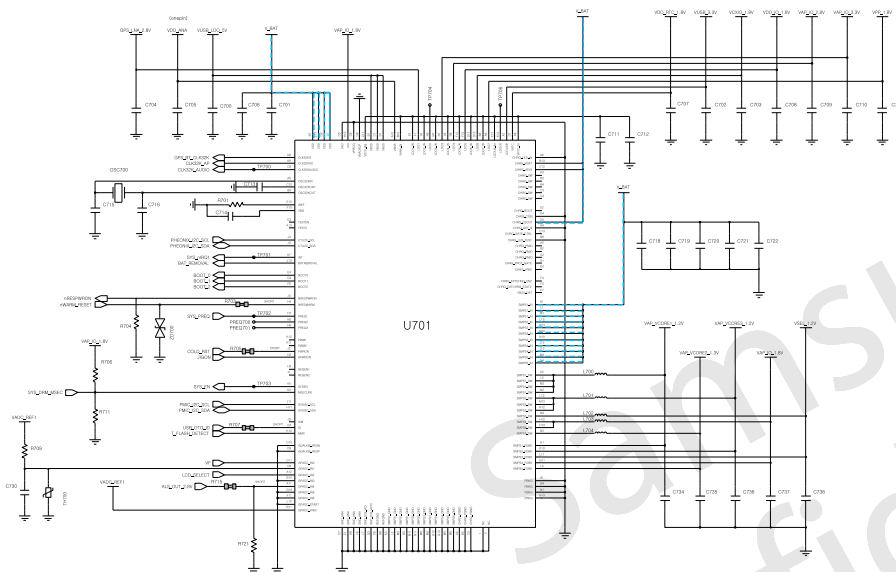
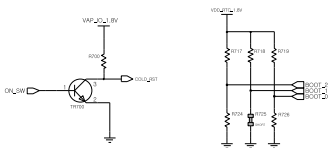
Movinand Power



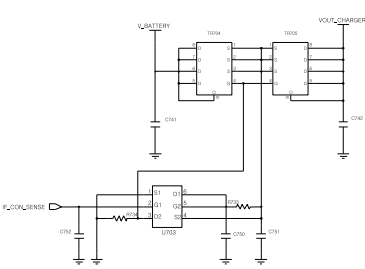
movieNand



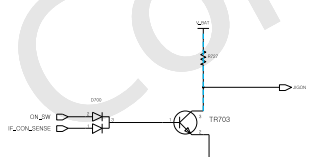
# POWER\_PART



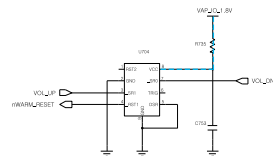
SWITCHING CHARGING BLOCK



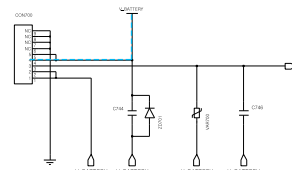
EXT\_JIG\_POWER\_CONTROL



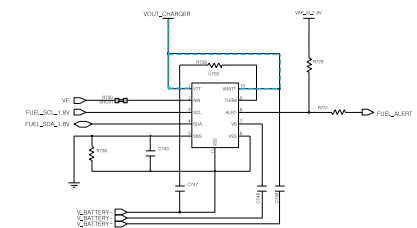
<Power On Block>



RESET IC



BATTERY CONTACT

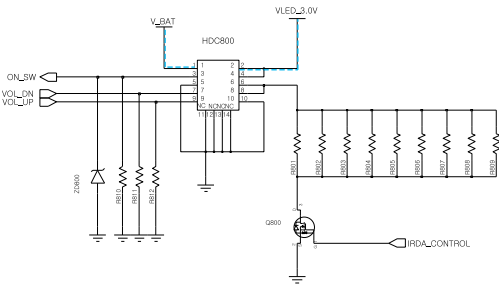


FUEL GAUGE

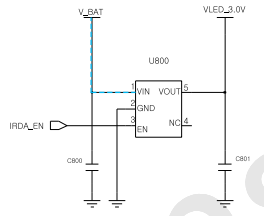
ANT	---
Power On	---
RX	---
TX	---



**Service schematics**

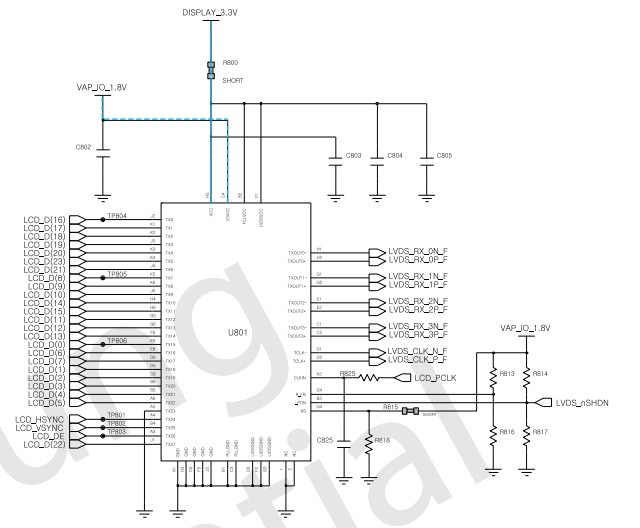


POWER & VOLUME KEY

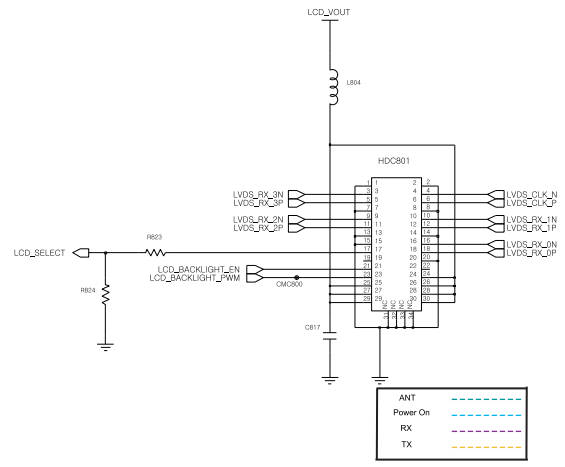
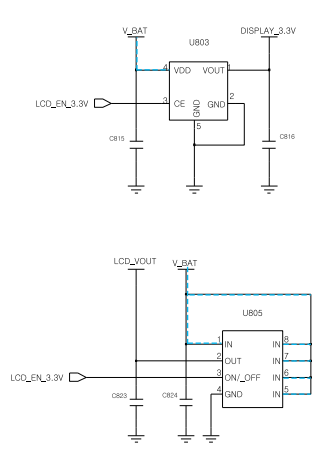


IRDA LDO(option)

**LCD\_PART**



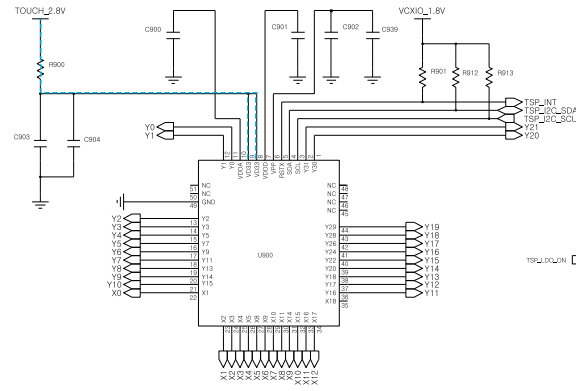
LVDS Transmitter



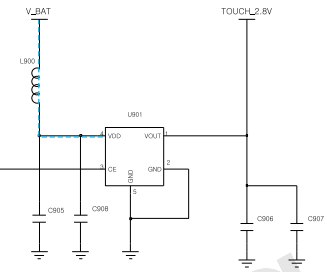
ANT	---
Power On	---
RX	---
TX	---

**Service schematics**

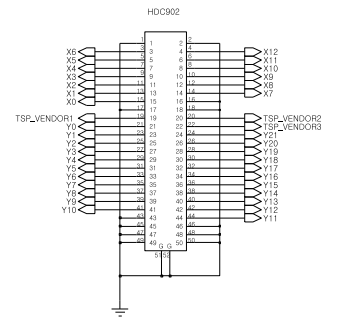
TSP PART



TOUCH SENSOR IC

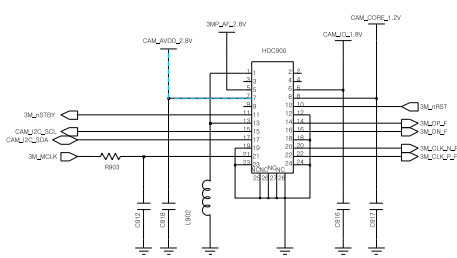


TOUCH LDO

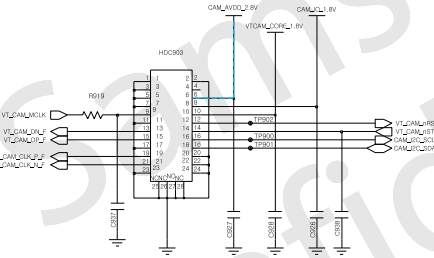


50Pin TOUCH Con.

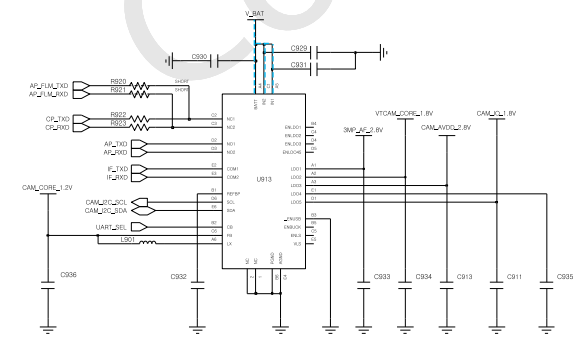
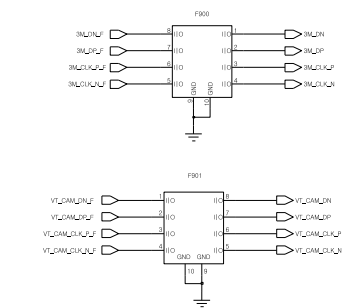
CAM PART



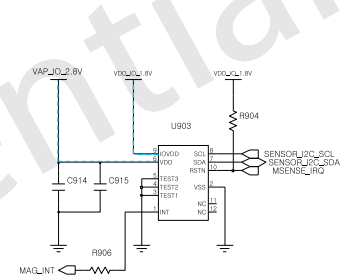
3M CAM



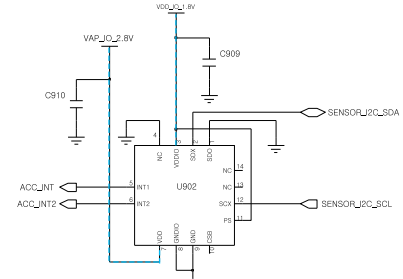
VT CAM



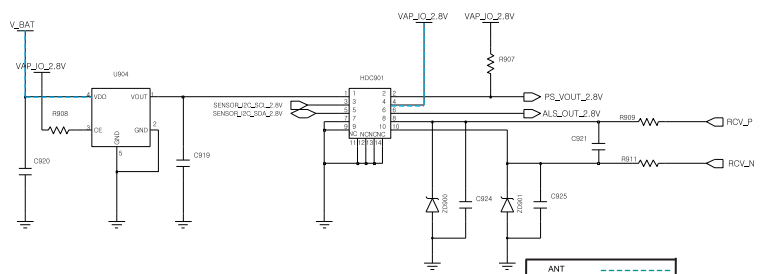
SENSOR\_PART



Magnetic Sensor



Accelerometer Sensor



RCV & Proximity

ANT	---
Power On	---
RX	---
TX	---