

Service  
Service  
**Service**



# Service Manual



TABLE OF CONTENTS

Location of PC Boards .....	1-1	Terminal Output Board .....	8
Electronic Specification .....	1-2	Circuit diagram .....	8-1
Measurement Setup .....	1-3	Layout diagram .....	8-2
Service Aids.....	1-4	Decoder Board .....	9
Software Version Check & Upgrade .....	2-1	Circuit diagram .....	9-1 to 9-4
Malfunction Check Chart .....	2-2	Layout diagram .....	9-5
Disassembly Diagram.....	3-1	Power Board .....	10
Block Diagram .....	4-1	Circuit diagram .....	10-1 to 10-2
Wiring Diagram .....	4-2	Layout diagram .....	10-3
Display Board .....	5	Hdmi Power Board .....	10-4
Circuit diagram .....	5-1	Explode View .....	11-1
Layout diagram .....	5-2	Service Partlist .....	12-1 to 12-2
Small Boards .....	6	Factory Partlist .....	13-1 to 13-4
Circuit diagram .....	6-1		
Layout diagram .....	6-1		
HDMI Board .....	7		
Circuit diagram .....	7-1		
Layout diagram .....	7-2		



© Copyright 2008 Philips Consumer Electronics B.V. Eindhoven, The Netherlands  
 All rights reserved. No part of this publication may be reproduced, stored in a retrieval system or transmitted, in any form or by any means, electronic, mechanical, photocopying, or otherwise without the prior permission of Philips.

Published by DB 0942 Service Audio Printed in The Netherlands Subject to modification

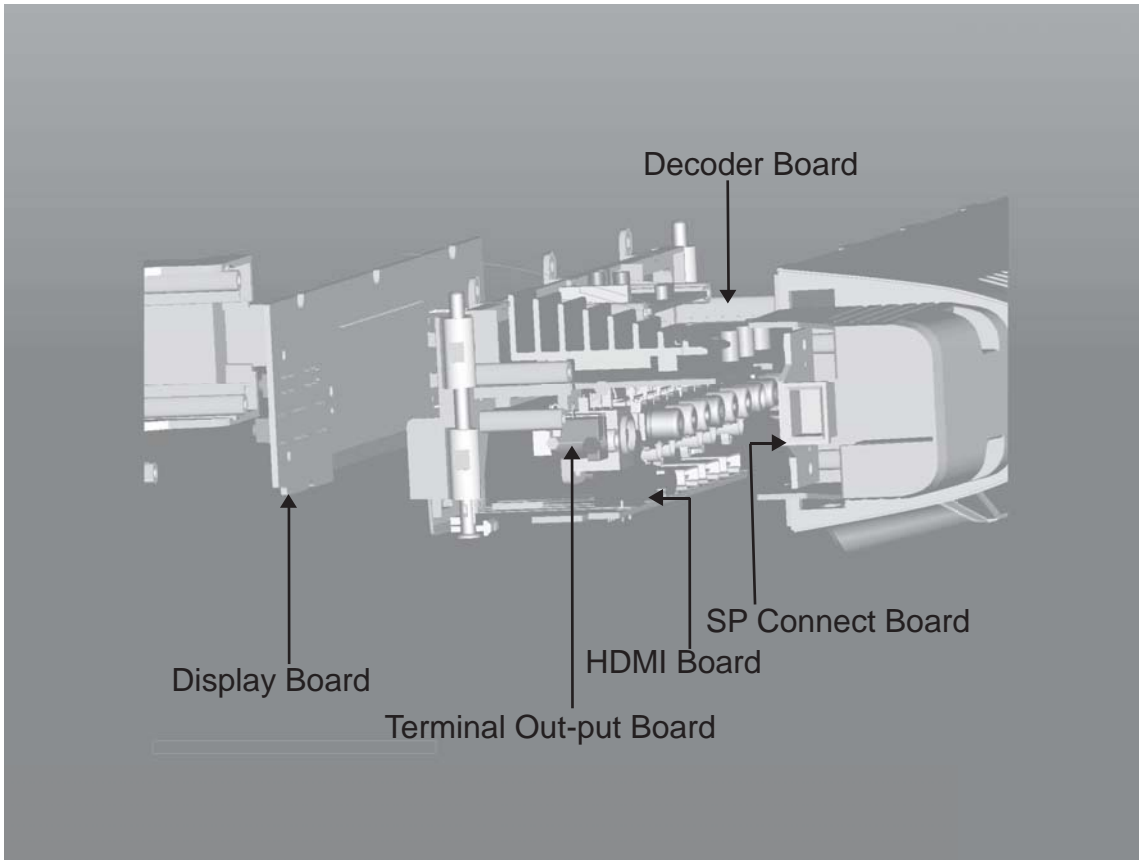
3141 785 33311

**Version 1.1**



**PHILIPS**

Location of PC Boards



VERSION VARIATIONS :

Type /Versions:		HSB2313										
Board in used:	Service policy	/05	/12	/37	/55	/58	/61	/79	/93	/94	/96	/98
USB BOARD			M						M			M
DISPLAY BOARD			C						C			C
HDMI BOARD			M						M			M
RADIO TRANSMIT BOARD												
DECODER BOARD			M						M			M
OUTPUT BOARD			M						M			M
LAMP BOARD			M						M			M
RADIO RECEIVE BOARD												
AC POWER SWITCH ADAPTOR			M						M			M
Type /Versions:		HSB2313										
Features	Feature diffrence	/05	/12	/37	/55	/58	/61	/79	/93	/94	/96	/98
RDS												
VOLTAGE SELECTOR												√
ECO STANDBY - DARK			√									
TDS												
* TIPS : C -- Component Lever Repair. M -- Module Lever Repair √ -- Used												

## Electronic Specification

### AMPLIFIER

Rated Output Power ..... 120W+(45W+45W) x 2RMS  
 S/N .....>=67dBA  
 Frequency response ..... 63Hz +3dB+/-3 6KHz  
 Aux Input ..... 1V RMS 16kohm

### DISC

Laser Type .....NA  
 Disc Diameter .....NA  
 Support Disc .....NA  
 Audio DAC.....NA  
 Total Harmonic Distortion .....NA  
 S/N .....NA

### TUNER

FM Tuning Range ..... 87.5 – 108 MHz  
 Tuning grid ..... 50K/100KHz

### Sensitivity

- Mono,26dB S/N ..... 5uV  
 - Stereo,46dB S/N ..... 100uV  
 Selectivity ..... >33dB  
 Image Rejection ..... >25 dB  
 Total Harmonic Distortion ..... 3%  
 S/N .....>=67dBA

### SPEAKERS

Speaker Impedance ..... 3ohm  
 Speaker Driver,base ..... 6 1/2"  
 Speaker Driver,tweeter ..... 1 1/2"  
 Frequency response ..... 40Hz + 3dB+/-3 16KHz

### GENERAL INFORMATION

Total Output Power .....200 W RMS  
 AC Power ..... 230V  
 Operation Power Consumption .....70W  
 Standby Pwer Consumption .....<10W  
 Eco Standby Pwer Consumption.....<1W  
 USB Direct..... Version 1.1

### Dimensions

- Main unit (w x h x d) ..... 278.5x92x90mm  
 - Speaker box(w x h x d) ..... 225.6x69x90mm  
 - Subwoofer Speaker box(w x h x d) .... 225.6x69x90mm

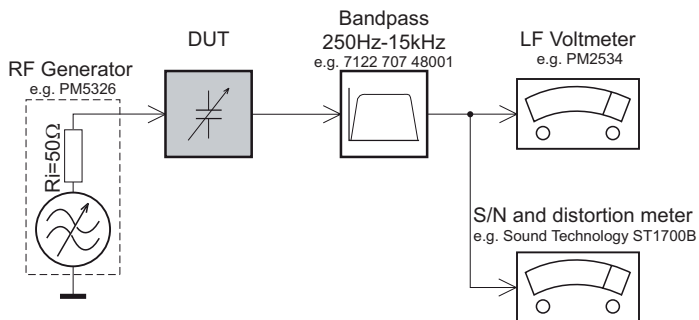
### Weight

- With Packing ..... 9 KG  
 - Main unit ..... 0.758KG  
 - Speaker box ..... 0.45x2KG  
 - Subwoofer .....5KG

\*Specifications and external appearance  
 are subject to change without notice.

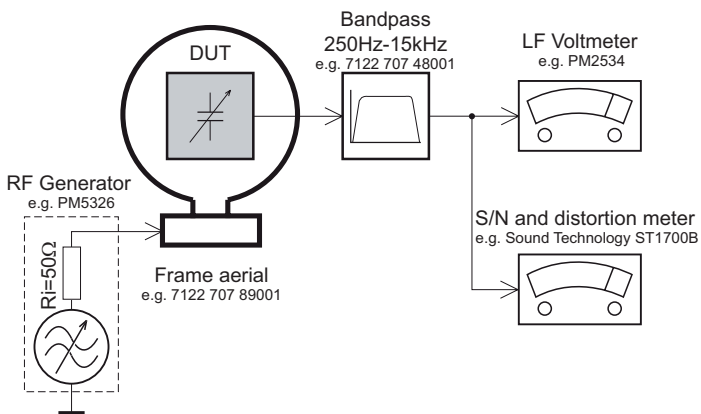
# MEASUREMENT SETUP

## Tuner FM



Use a bandpass filter to eliminate hum (50Hz, 100Hz) and disturbance from the pilotone (19kHz, 38kHz).

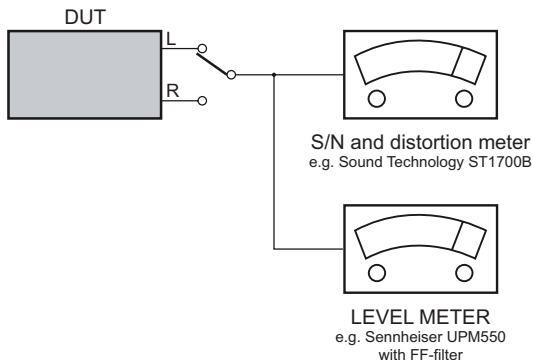
## Tuner AM (MW,LW)



To avoid atmospheric interference all AM-measurements have to be carried out in a Faraday's cage.  
Use a bandpass filter (or at least a high pass filter with 250Hz) to eliminate hum (50Hz, 100Hz).

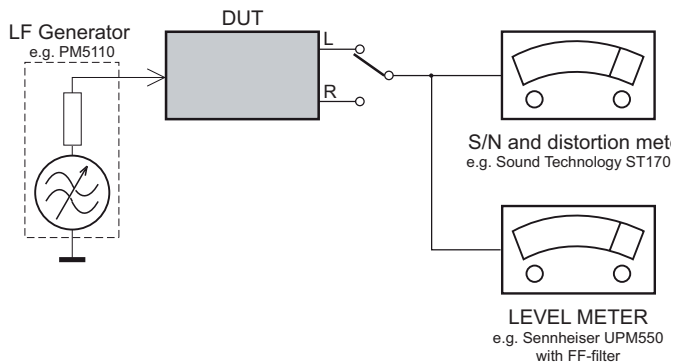
## CD

Use Audio Signal Disc SBC429 4822 397 30184  
(replaces test disc 3)



## Recorder

Use Universal Test Cassette **Cr02** SBC419 4822 397 30069  
or Universal Test Cassette **Fe** SBC420 4822 397 30071



## SERVICE AIDS

### **GB** WARNING

All ICs and many other semi-conductors are susceptible to electrostatic discharges (ESD). Careless handling during repair can reduce life drastically.

When repairing, make sure that you are connected with the same potential as the mass of the set via a wrist wrap with resistance.

Keep components and tools also at this potential.

### ESD



### **GB**

Safety regulations require that the set be restored to its original condition and that parts which are identical with those specified, be used

Safety components are marked by the symbol  $\Delta$ .

**CLASS 1  
LASER PRODUCT**

## INFORMATION ABOUT LEAD-FREE SOLDERING

Philips CE is producing lead-free sets from 1.1.2005 onwards.

### IDENTIFICATION:

Regardless of special logo (not always indicated) one must treat all sets from 1 Jan 2005 onwards, according next rules:



- On our website [www.atyourservice.ce.Philips.com](http://www.atyourservice.ce.Philips.com) you find more information to:
  - \* BGA-de-/soldering (+ baking instructions)
  - \* Heating-profiles of BGAs and other ICs used in Philips-sets
  - \* Lead free

You will find this and more technical information within the "magazine", chapter "workshop news".

For additional questions please contact your local repair-helpdesk.

## SERVICE INSTRUCTION

Safety regulations require that after a repair, the set must be returned in its original condition. Pay in particular attention to the following points:

- Route the wire trees correctly and fix them with the mounted cable clamps.
- Check the insulation of the AC Power lead for external damage.
- Check the strain relief of the AC Power cord for proper function.
- Check the electrical DC resistance between the AC Power Plug and the secondary side (only for sets which have a AC Power isolated power supply):
  1. Unplug the AC Power cord and connect a wire between the two pins of the AC Power plug.
  2. Set the AC Power switch to the "on" position (keep the AC Power cord unplugged!).
  3. Measure the resistance value between the pins of the AC Power plug and the metal shielding of the tuner or the aerial connection on the set. The reading should be larger than 4.5 Mohm (For U.S. it should be between 4.2 Mohm and 12 Mohm).
  4. Switch "off" the set, and remove the wire between the two pins of the AC Power plug.
- Check the cabinet for defects, to avoid touching of any inner parts by the customer.

## Software Version Check & Upgrade

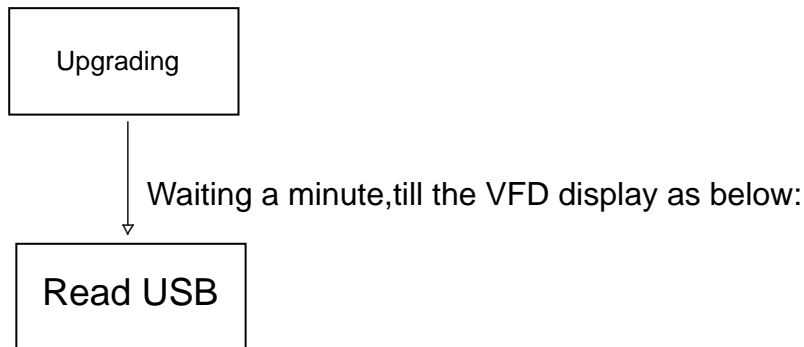
### Upgrade software

---

1. Download the software form Philips support website

<http://www.philips.com/support>

2. Insert the Software USB device, when it is loading ,  
VFD display showing as below:

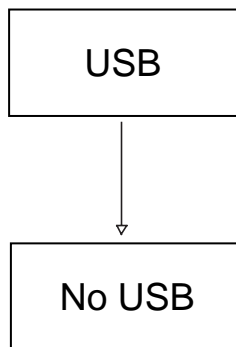


Software upgrade finish.

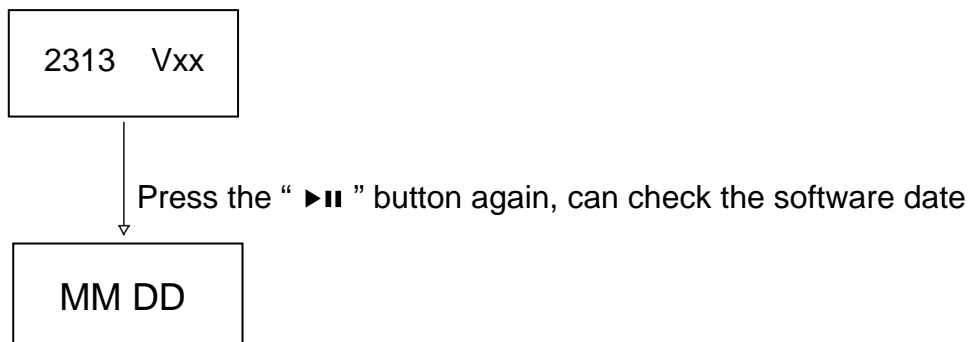
### Software version and date check

---

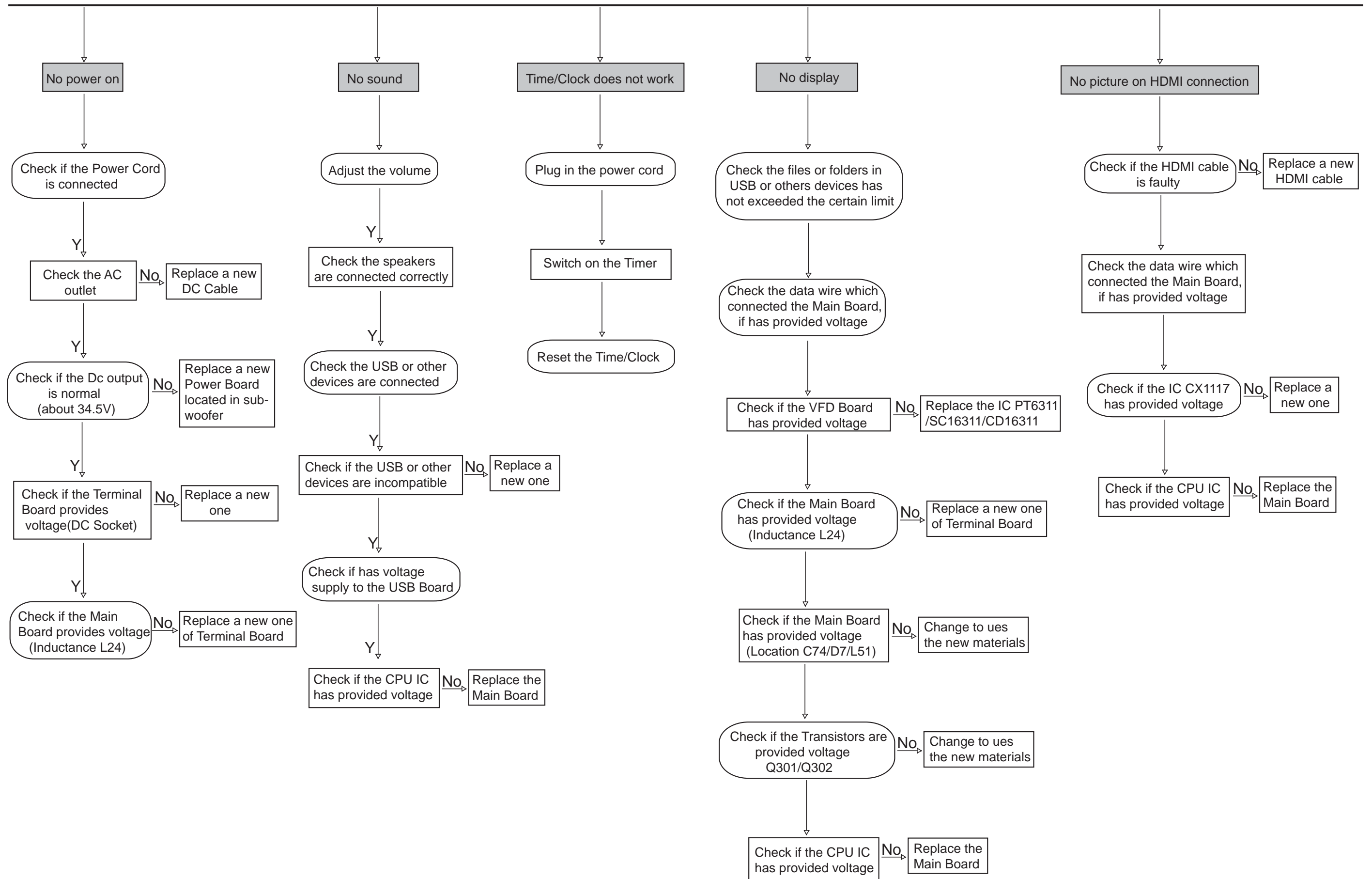
1. Insert the power and turn on the main set, VFD display as below:



2. Press the “▶||” button continuously 4 times on remote control,  
display showing as below:

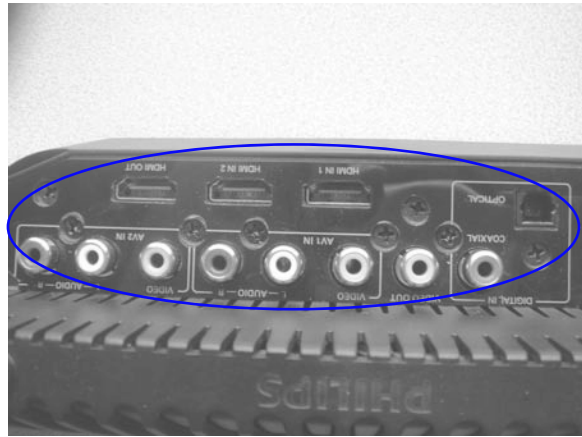


# Malfunction Follow Check Chart

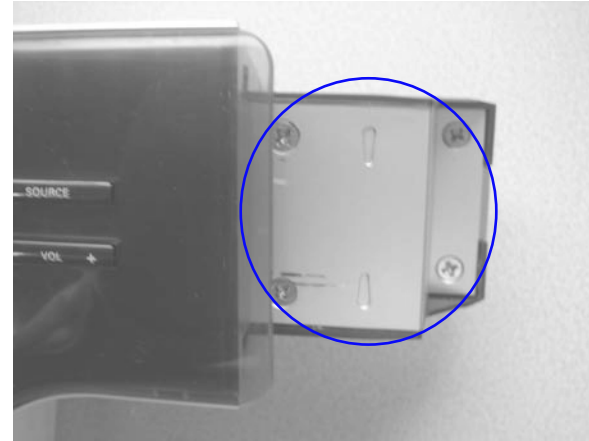


# Disassembly Diagram

1.Loosen these Screws



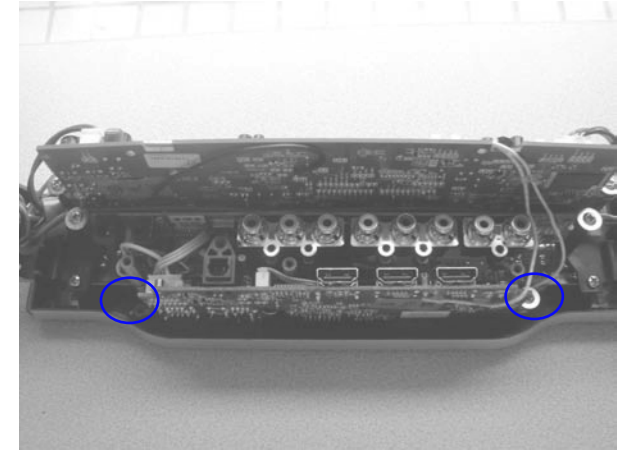
2.Loosen these Screws(both sides)



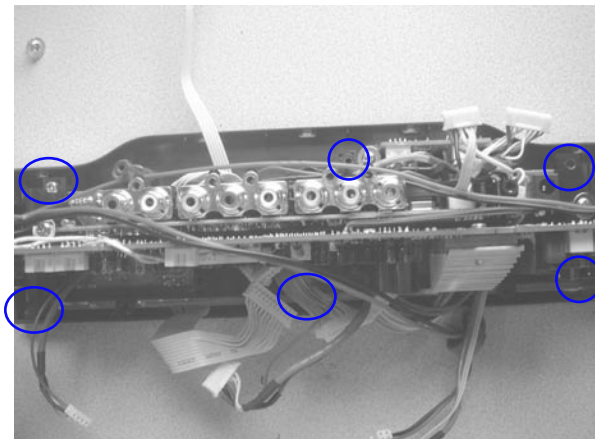
3.Use thin screwdriver to unclench clasp



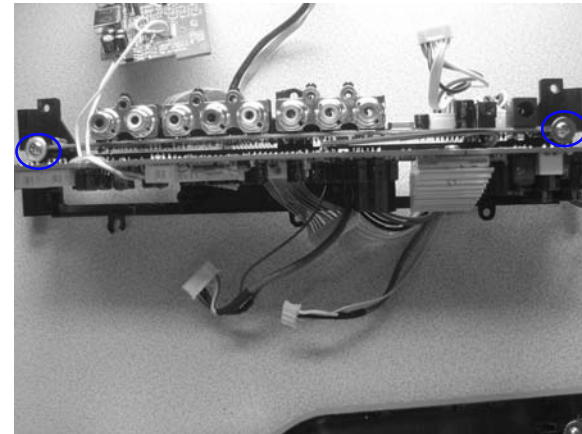
4.Loosen these screws to remove HDMI board



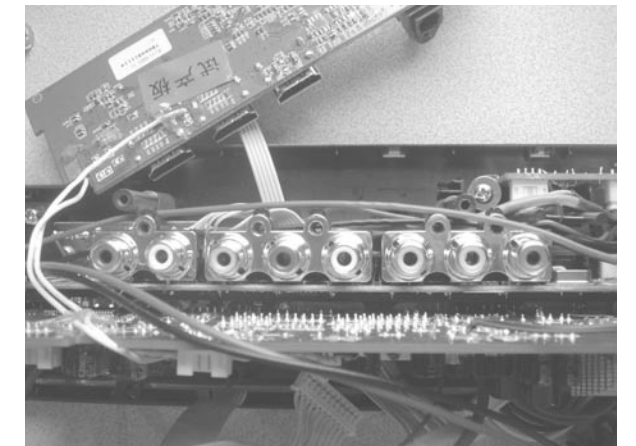
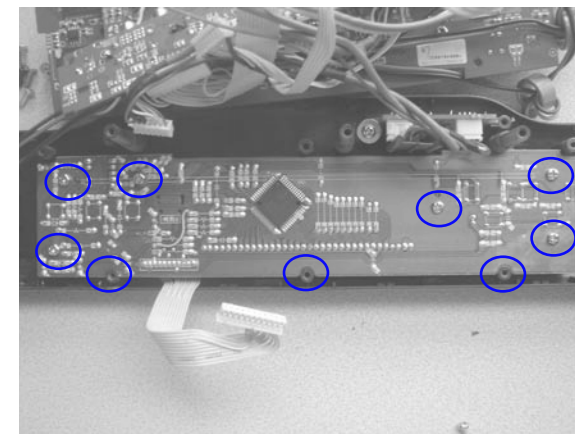
5.Loosen these screws to remove Main Board



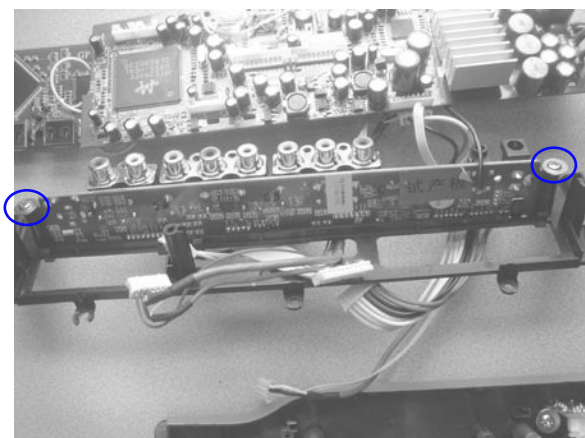
6.Loosen these screws to remove Decoder Board



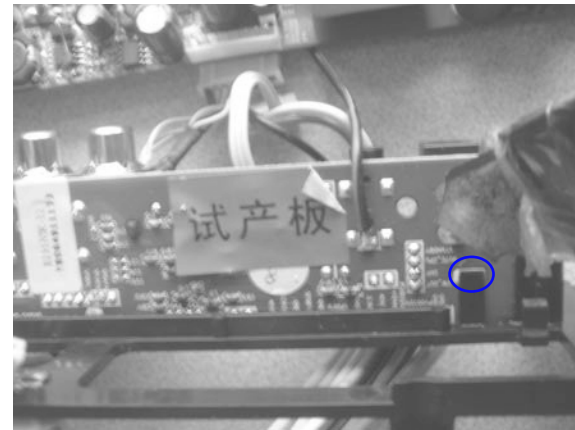
7.Loosen these screws to remove Display Board



8.Loosen these screws to remove Output Board

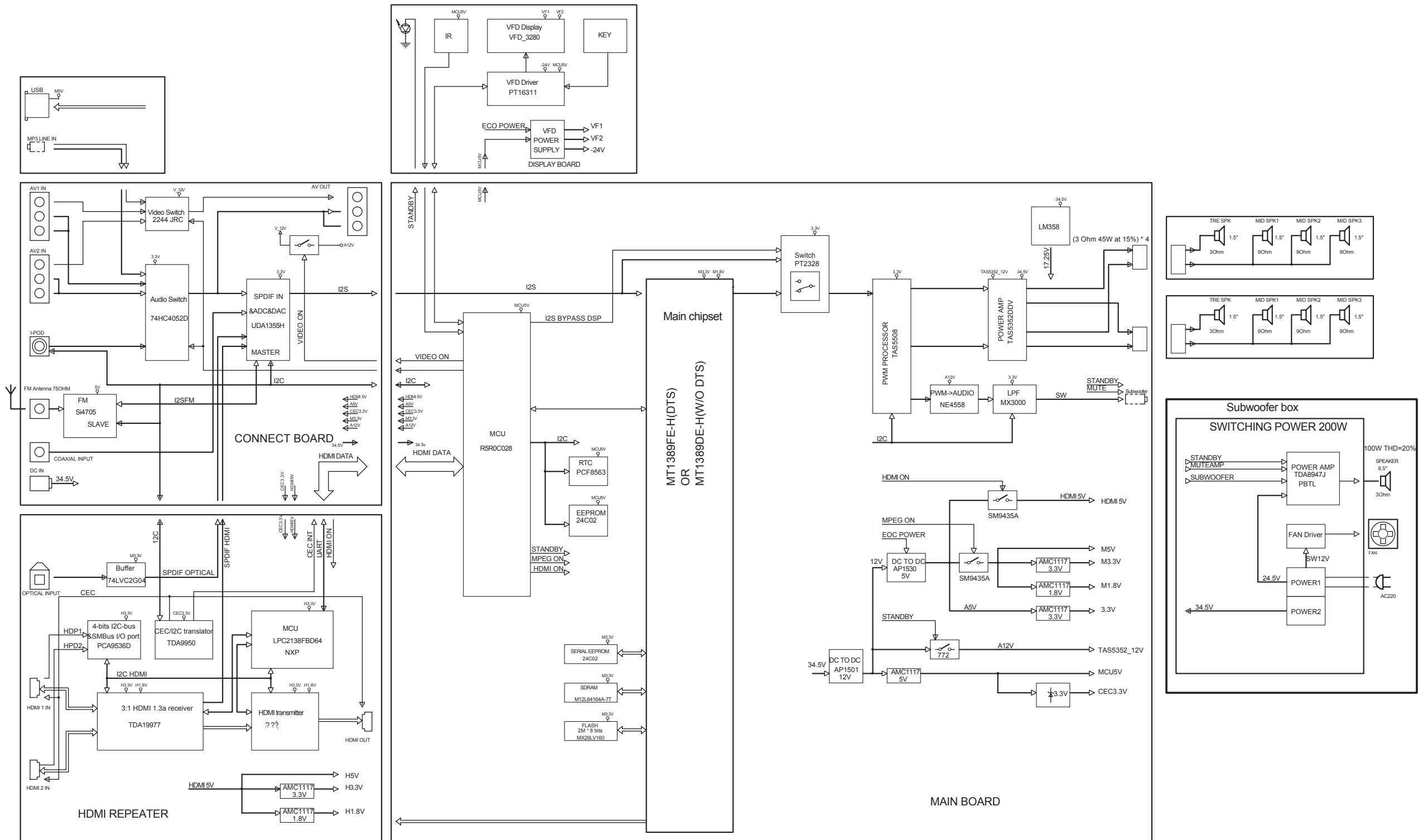


9.unclench clasp

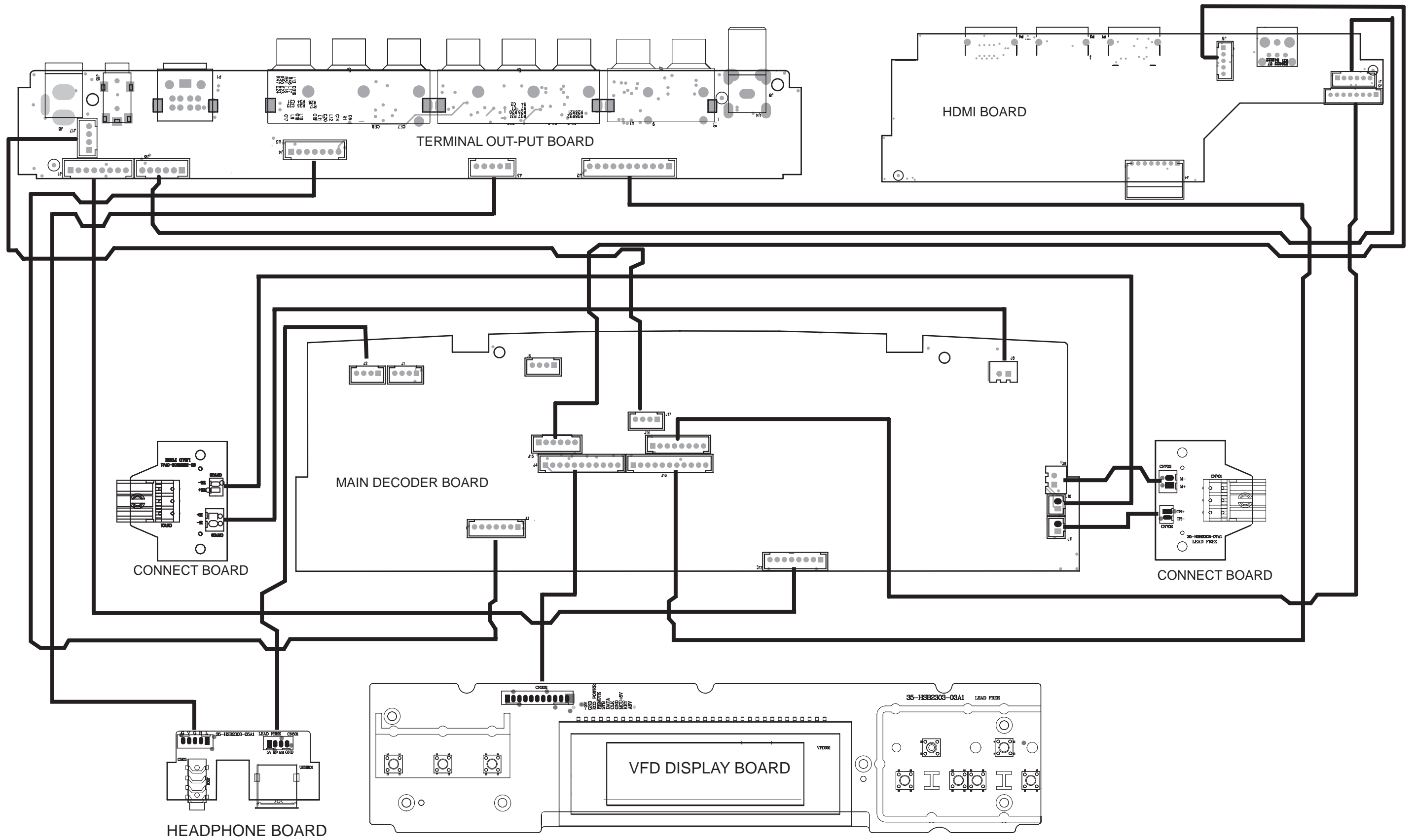




# Block Diagram

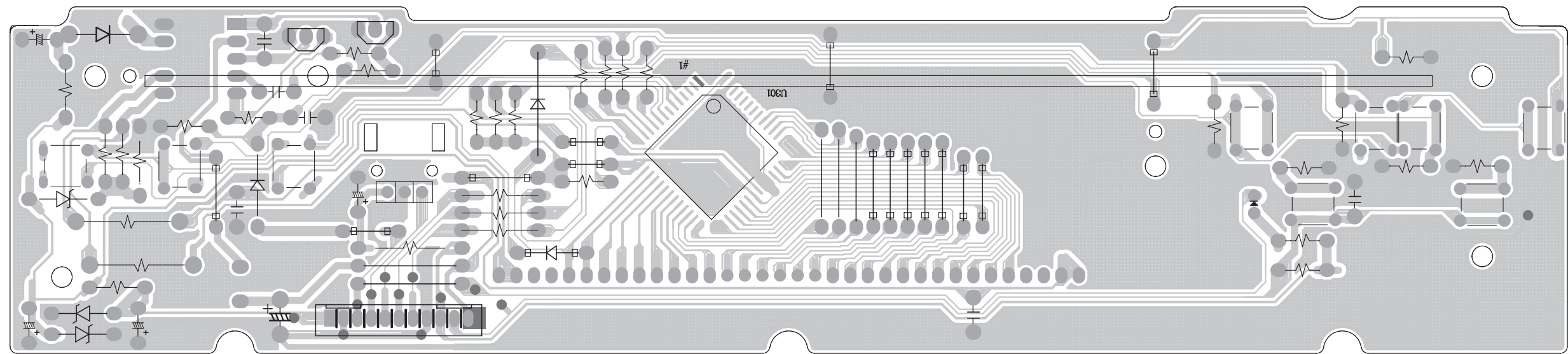
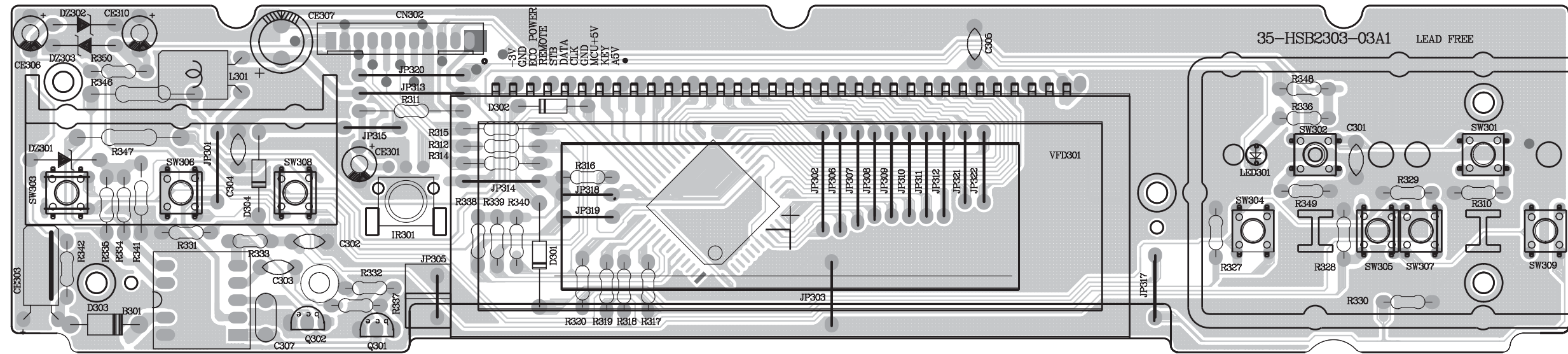


# Wiring Diagram

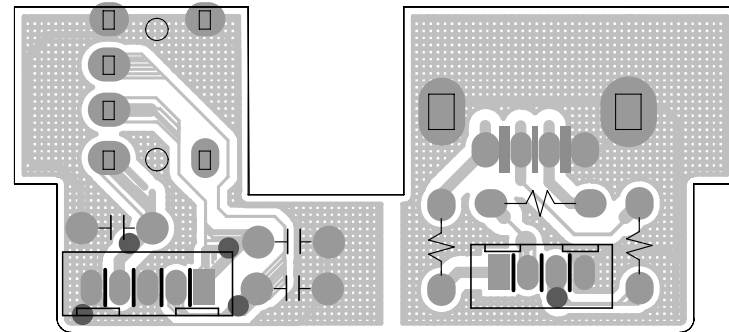
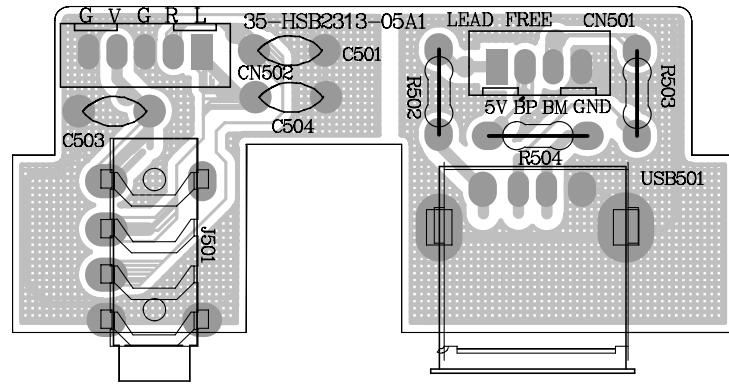
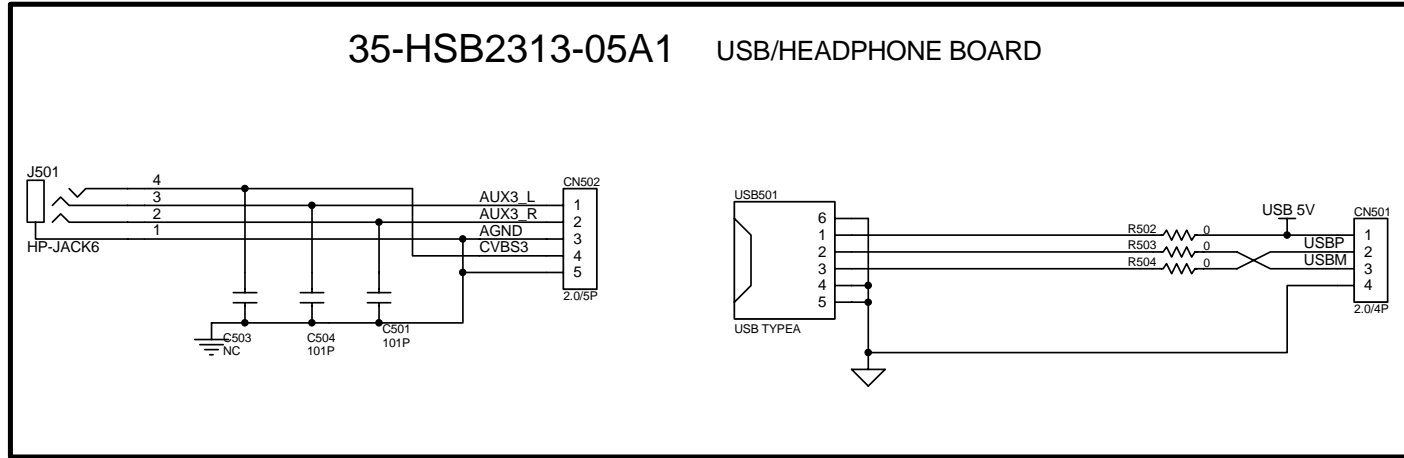




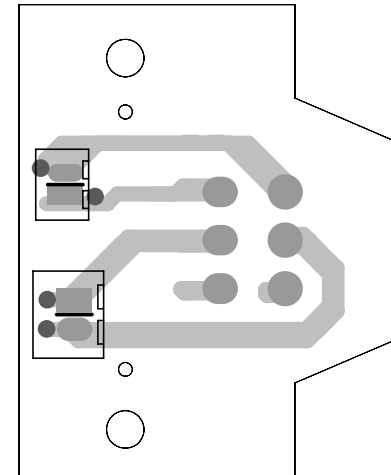
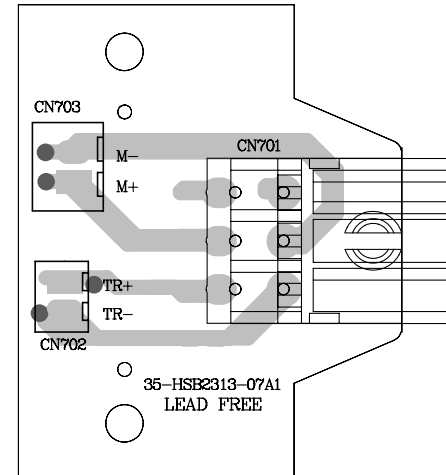
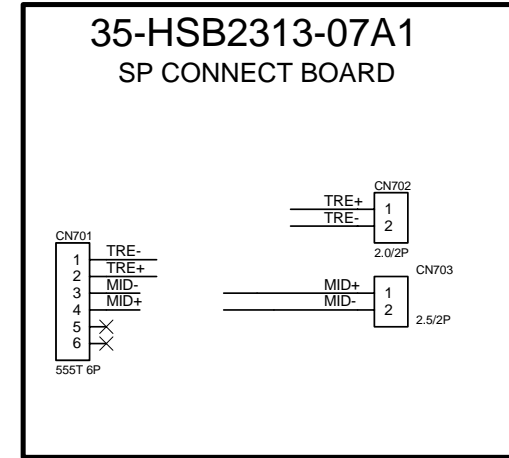
Display Board -- Layout Diagram



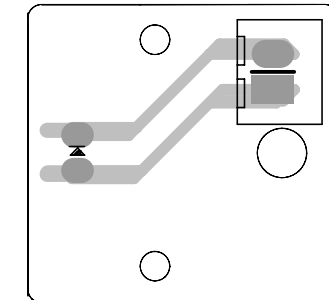
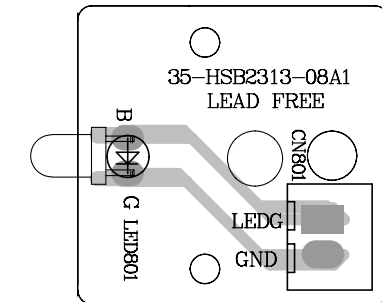
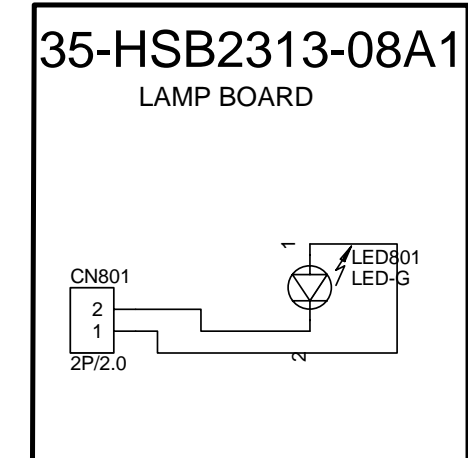
USB/HEADPHONE BOARD



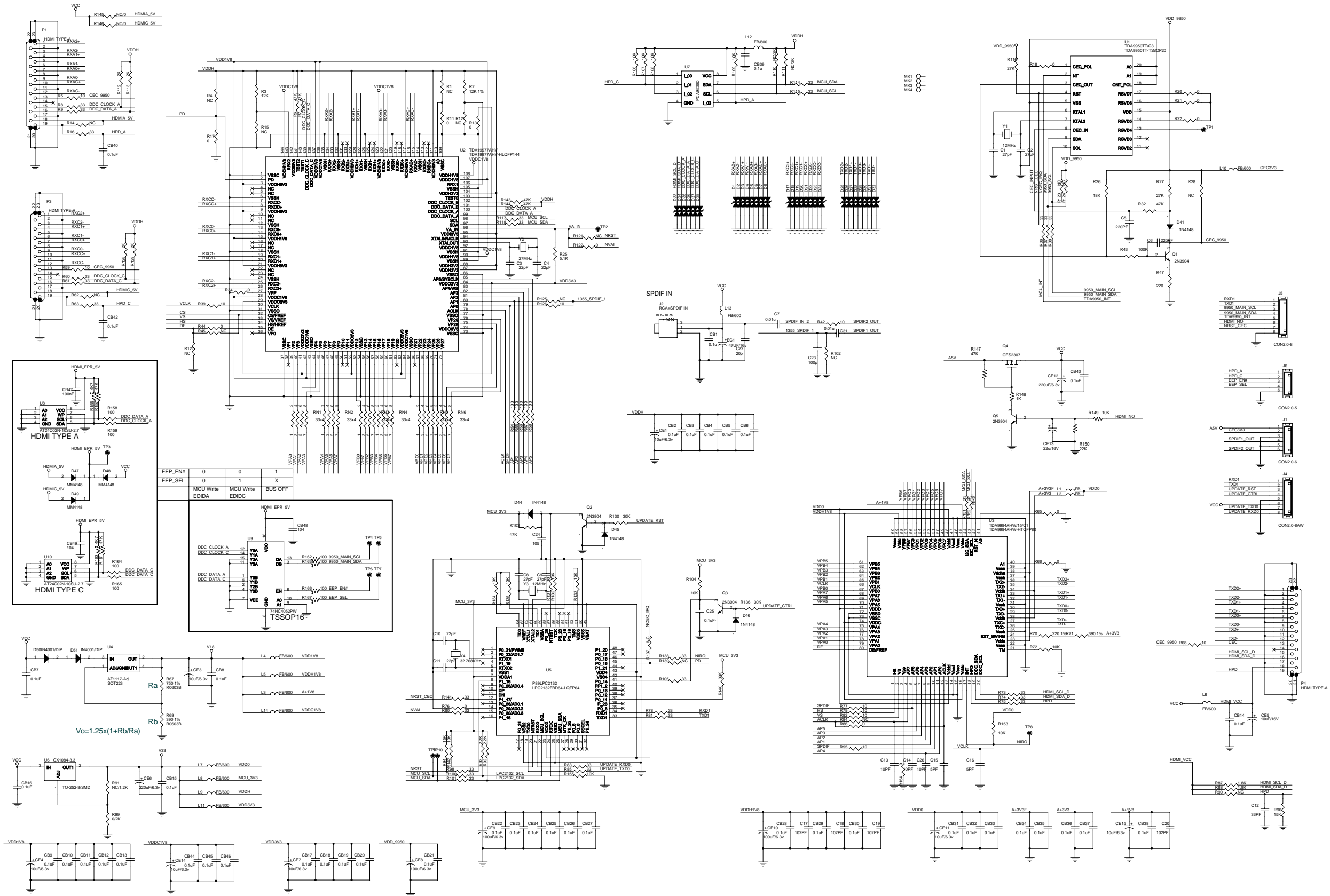
SP CONNECT BOARD



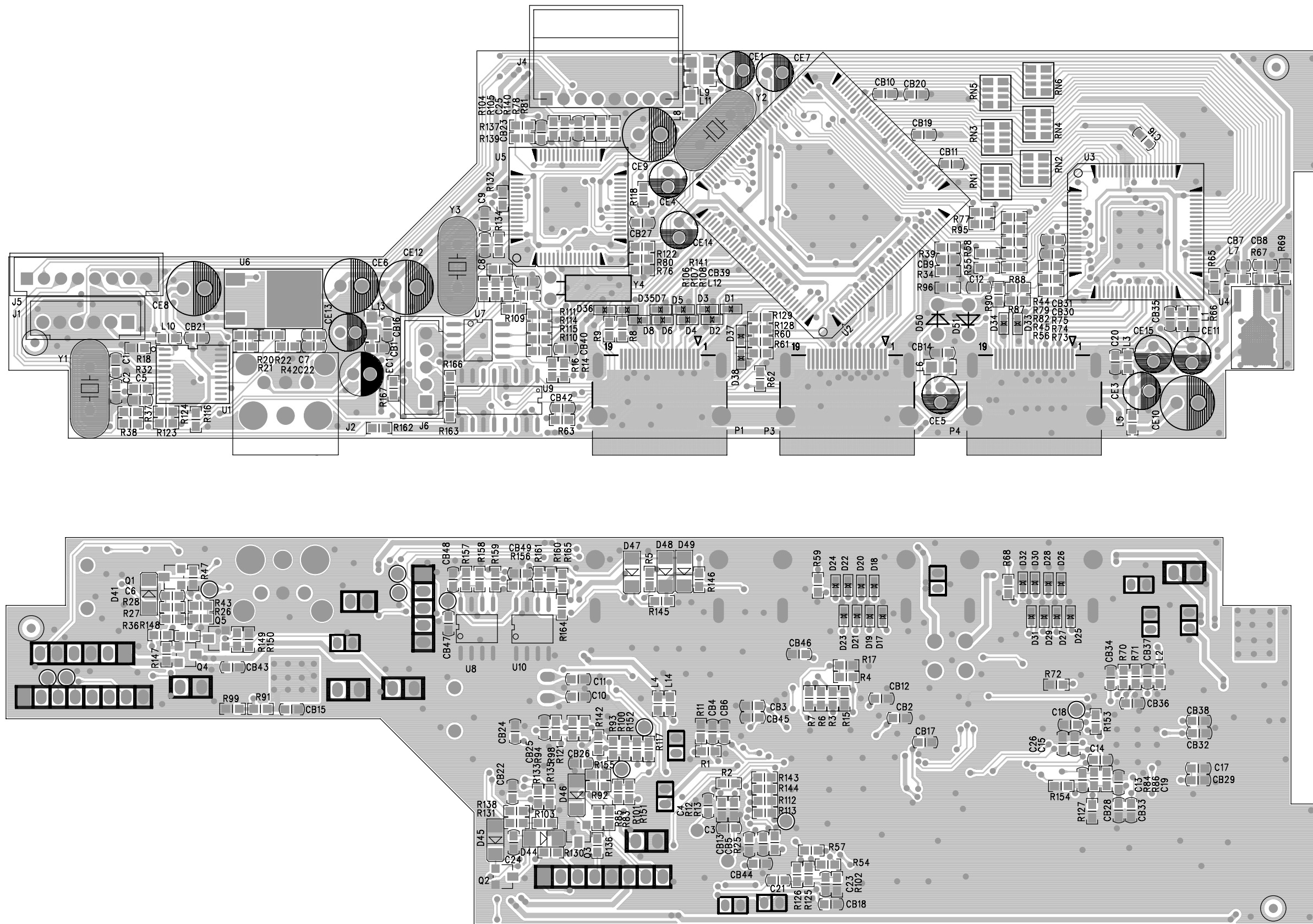
LAMP BOARD



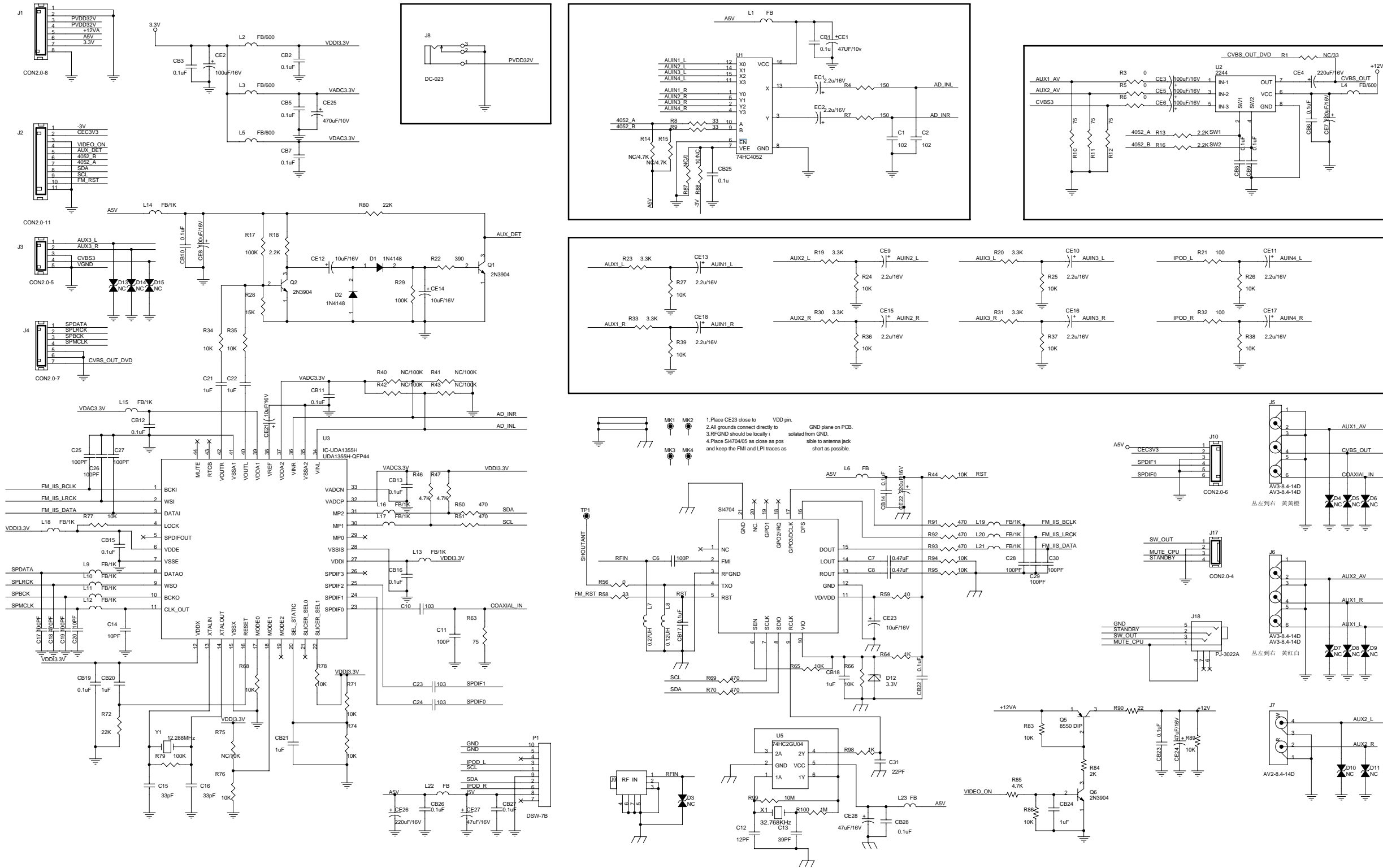
# HDMI Board -- Circuit Diagram



# HDMI Board -- Layout Diagram

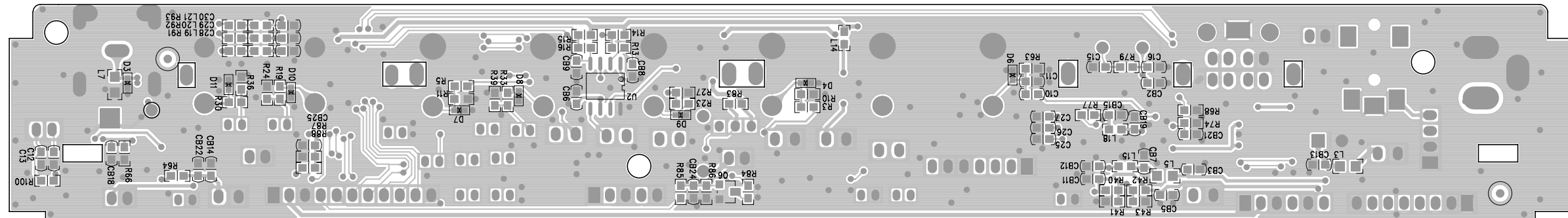
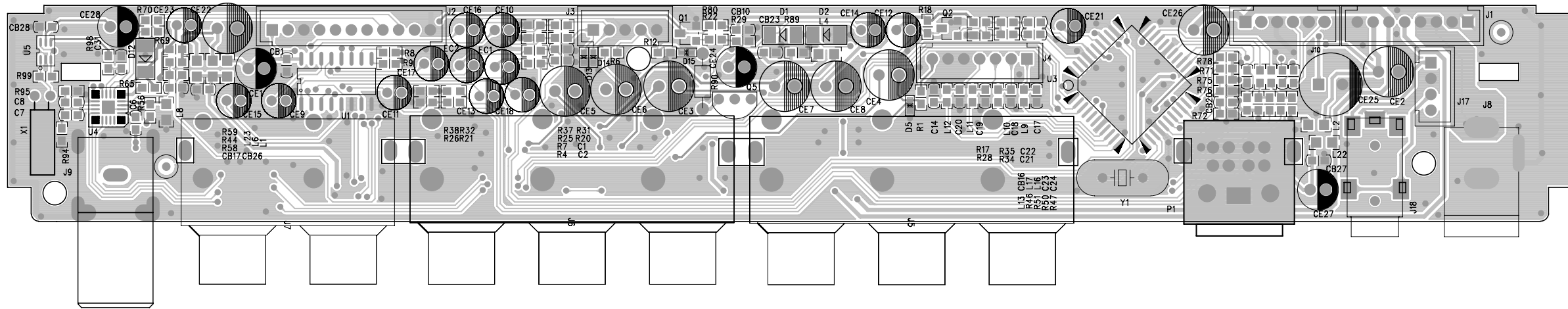


# Terminal Out-put Board -- Circuit Diagram

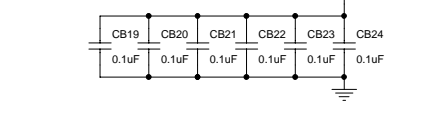
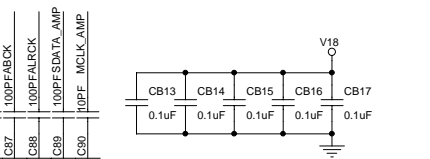
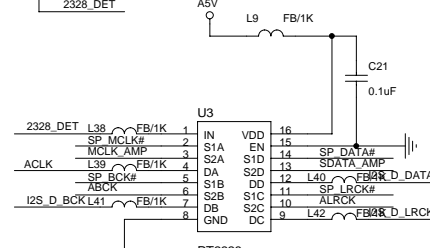
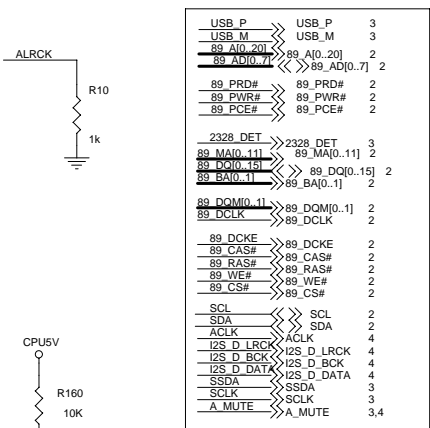
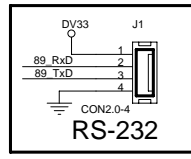
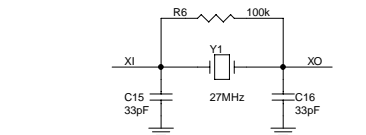
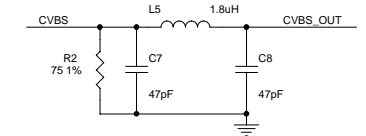
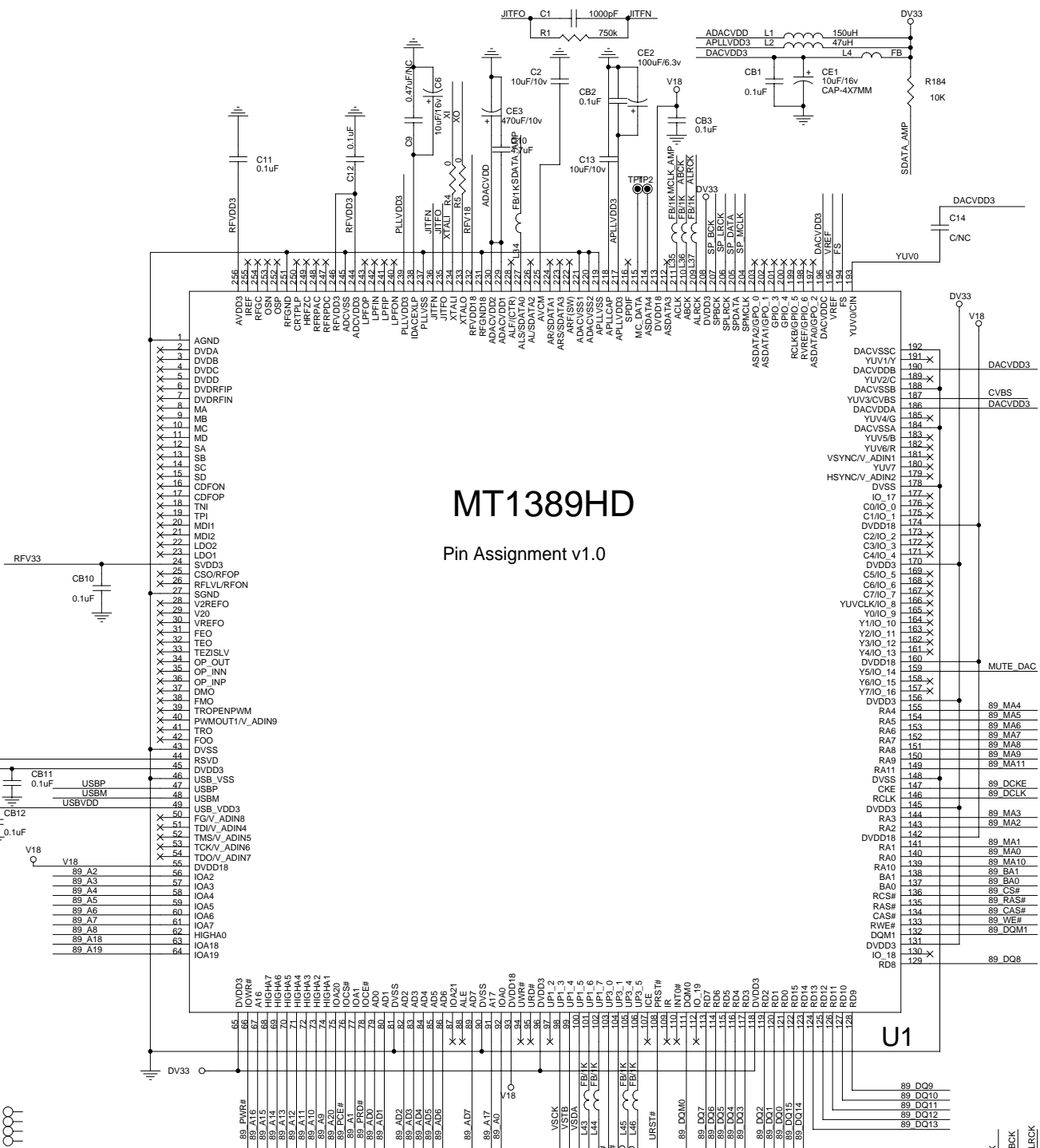
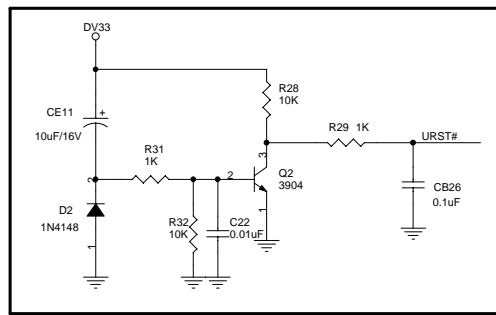
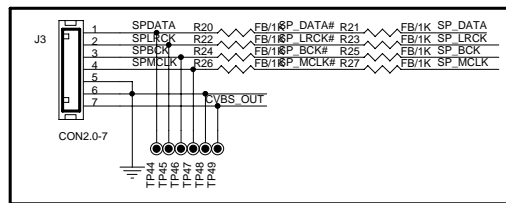
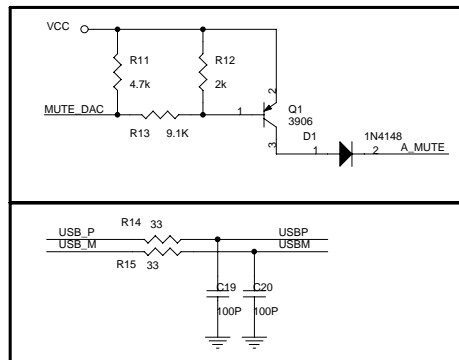
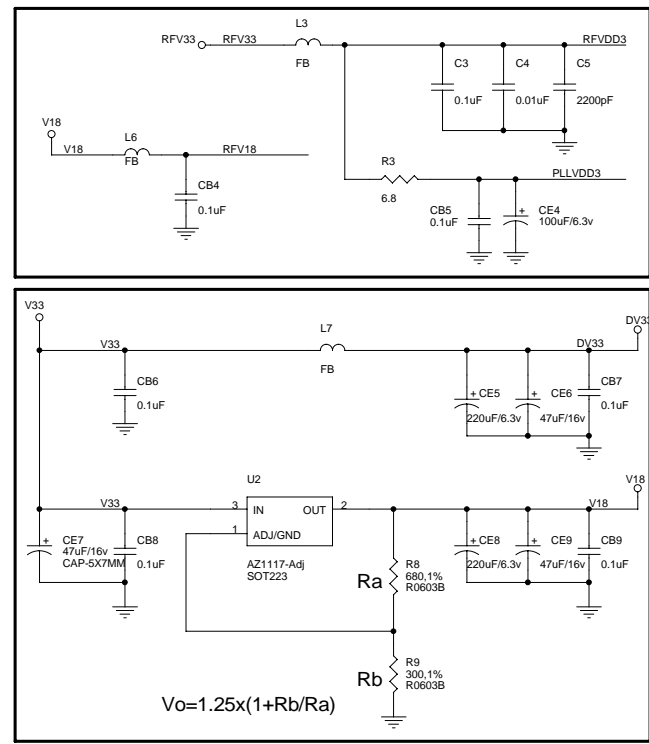




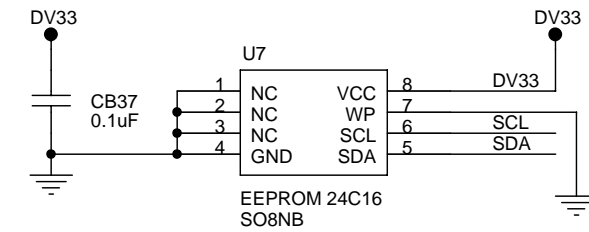
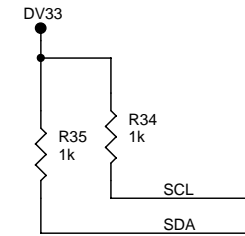
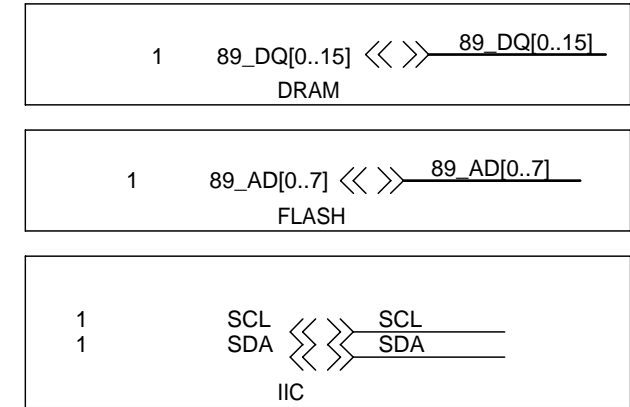
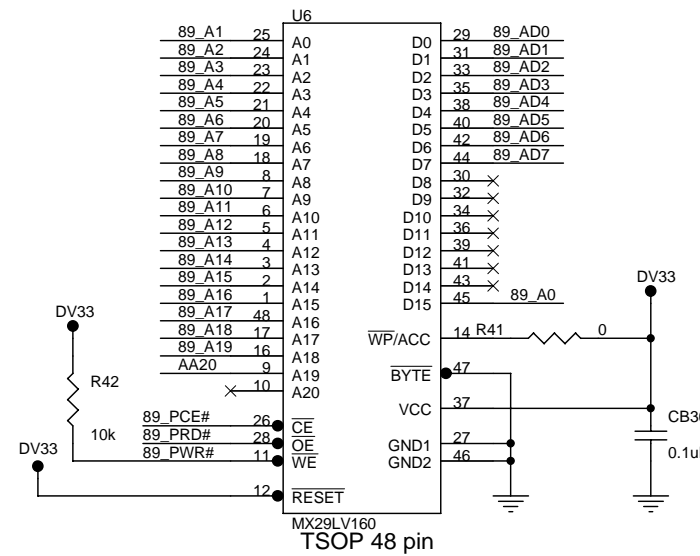
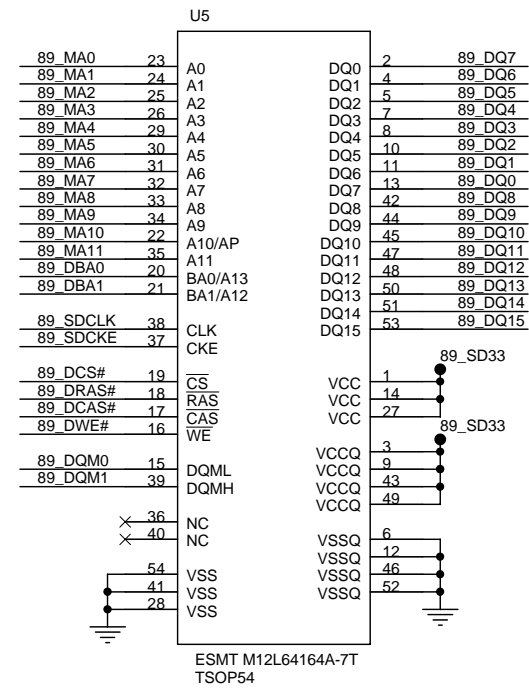
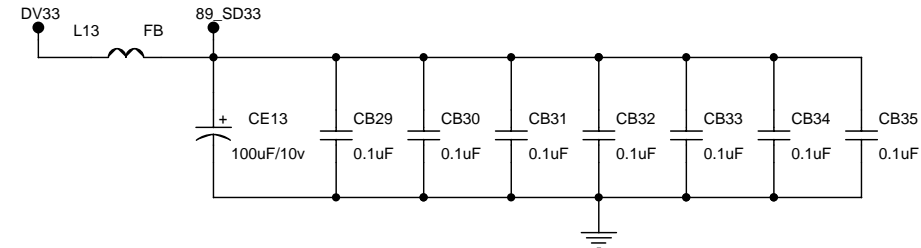
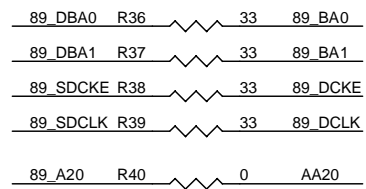
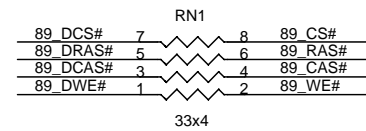
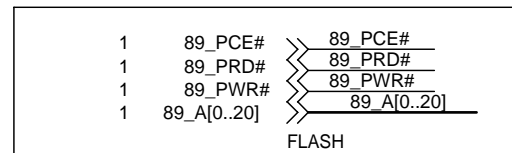
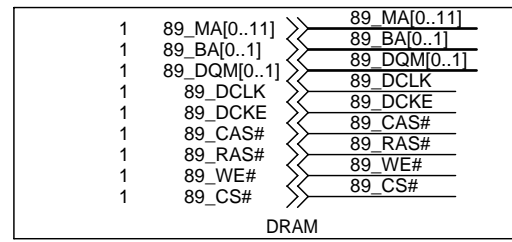
Terminal Out-put Board -- Layout Diagram



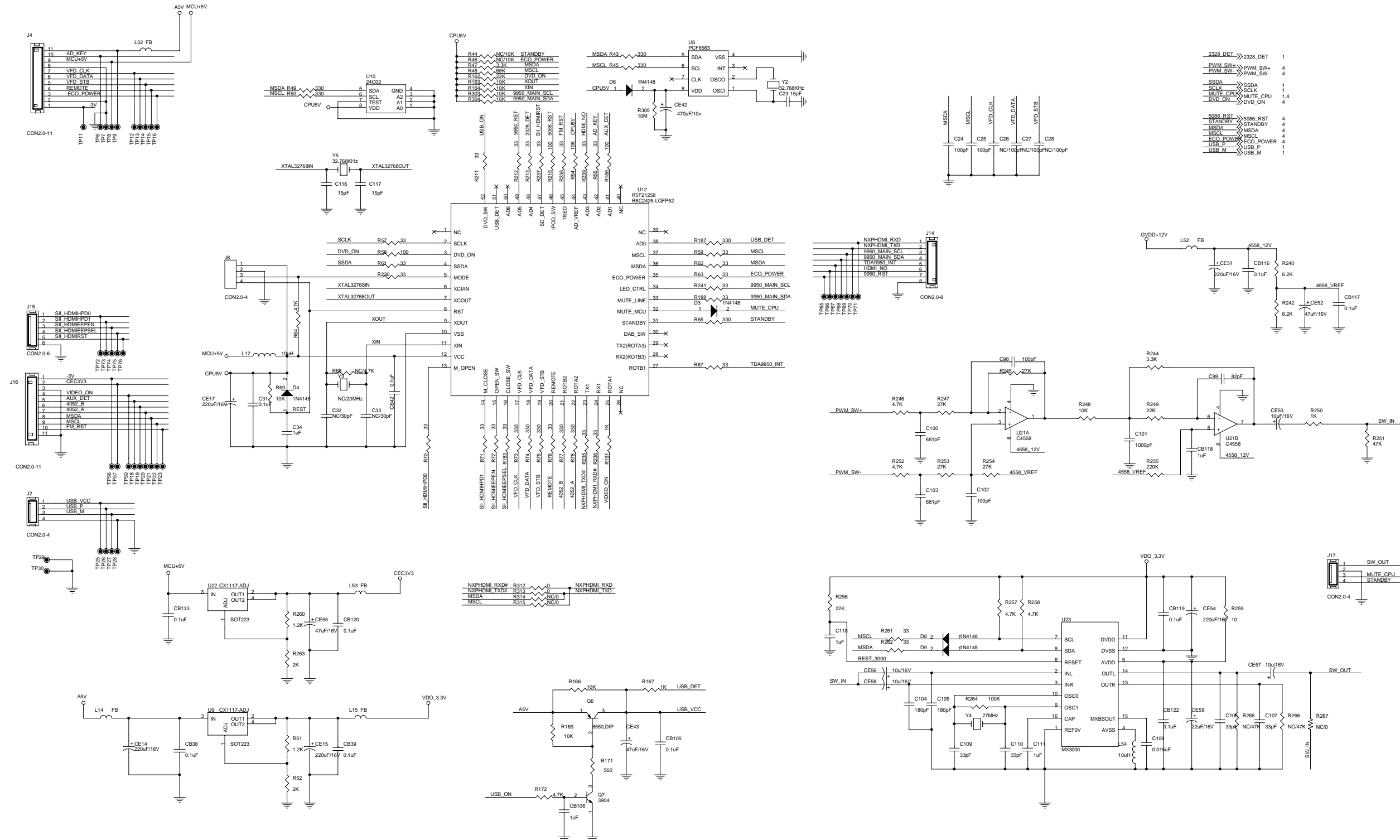
# Decoder Board -- Circuit Diagram -- Part1

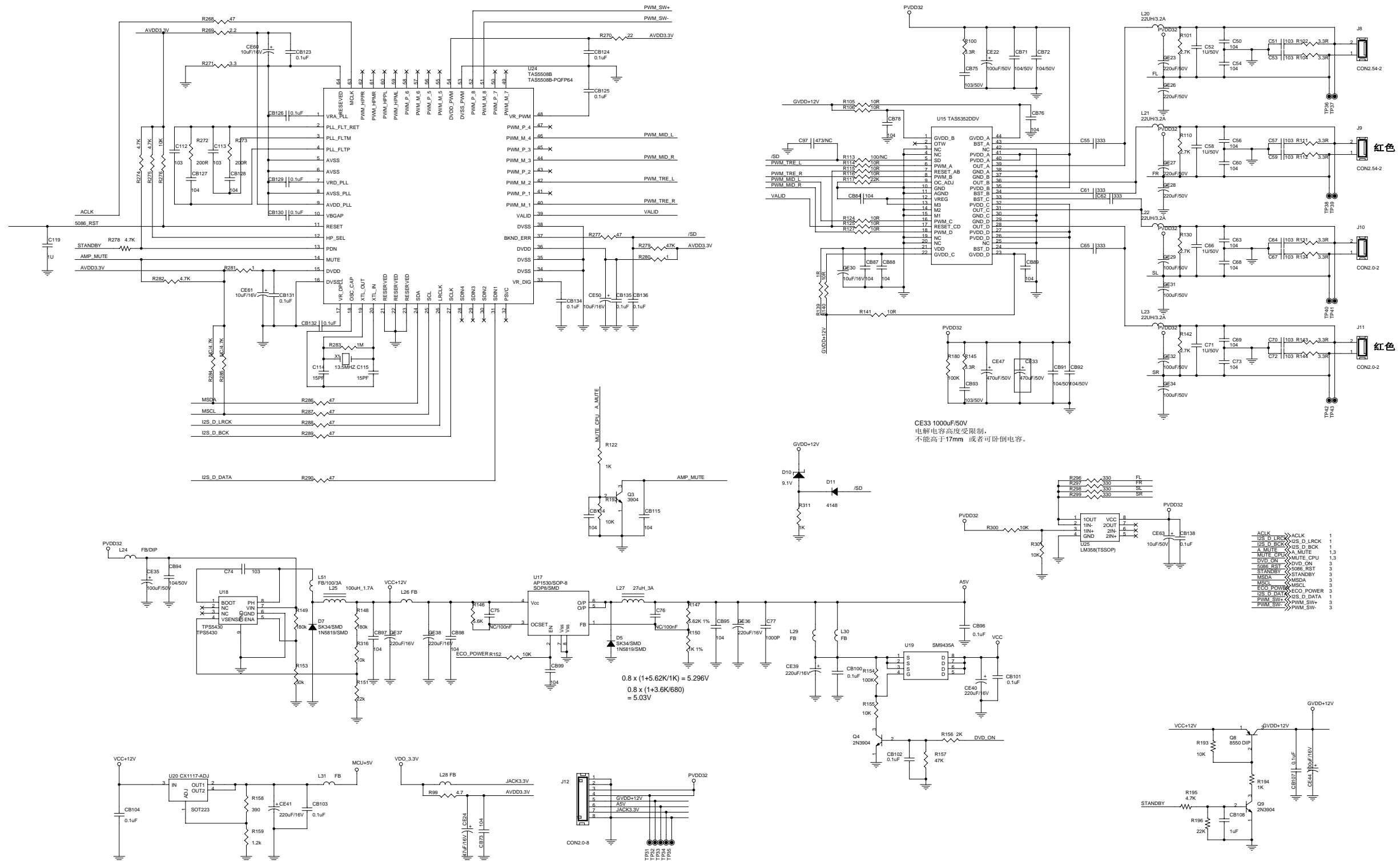


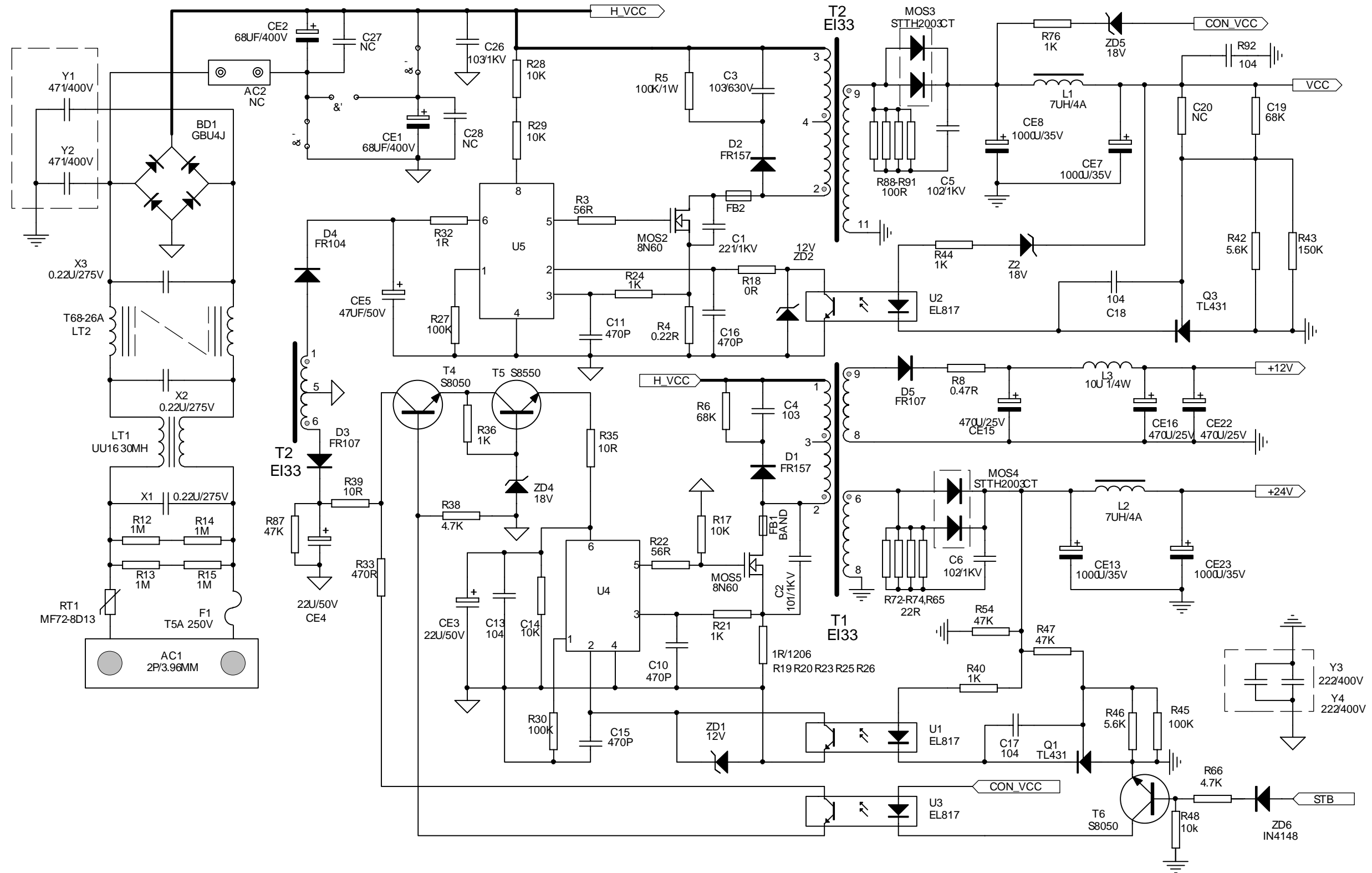
Decoder Board -- Circuit Diagram -- Part2



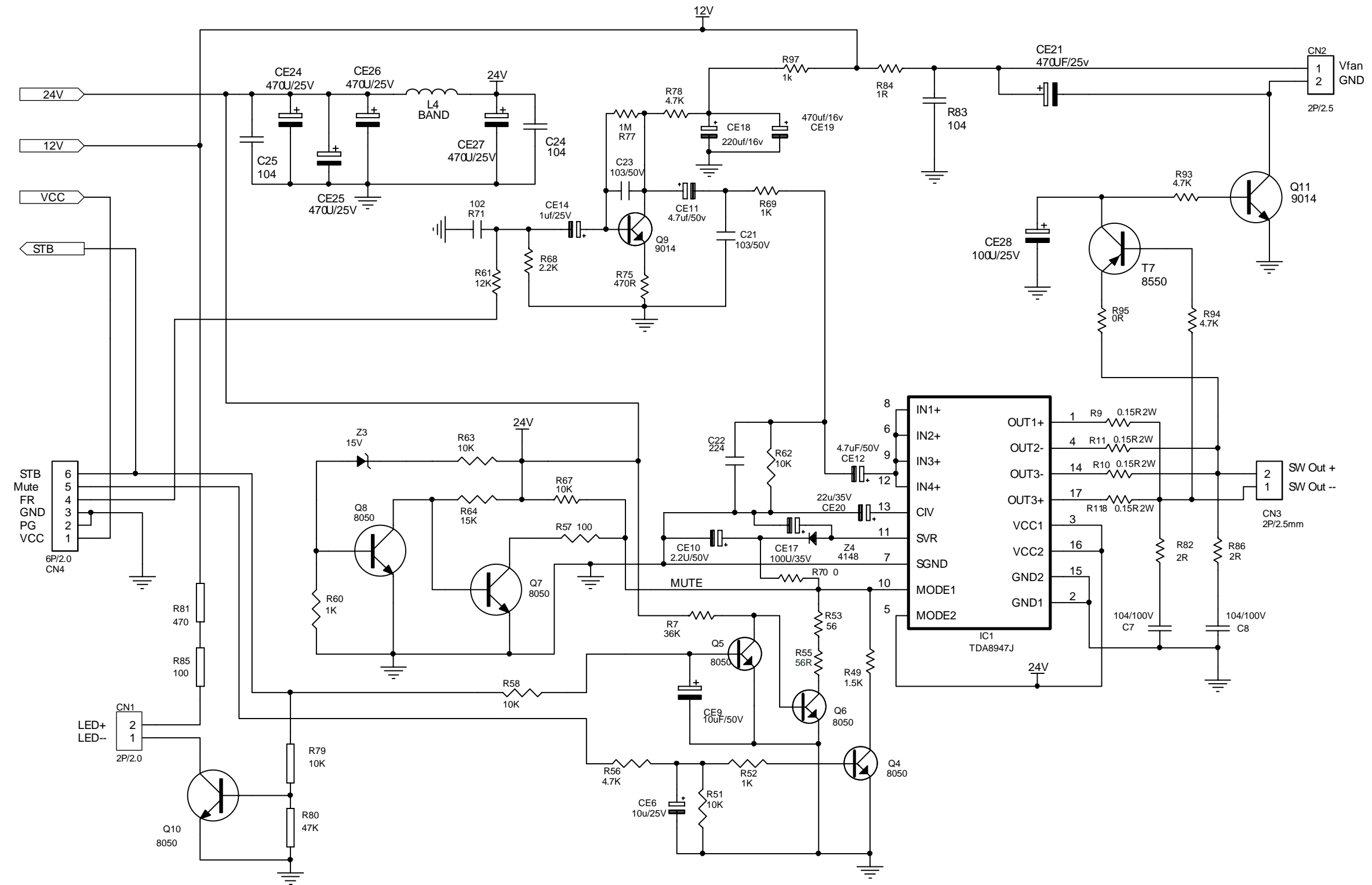
Decoder Board -- Circuit Diagram -- Part3



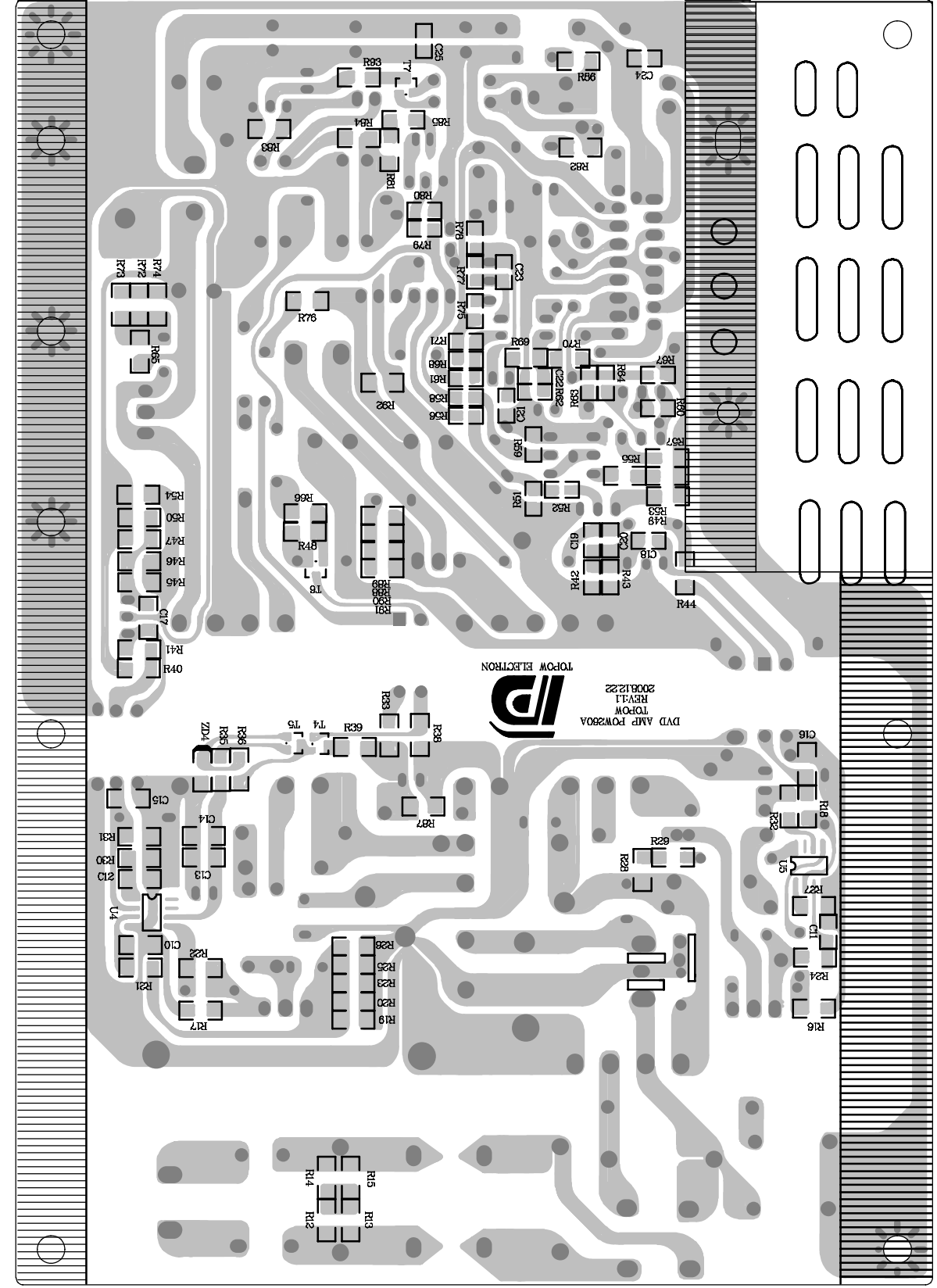
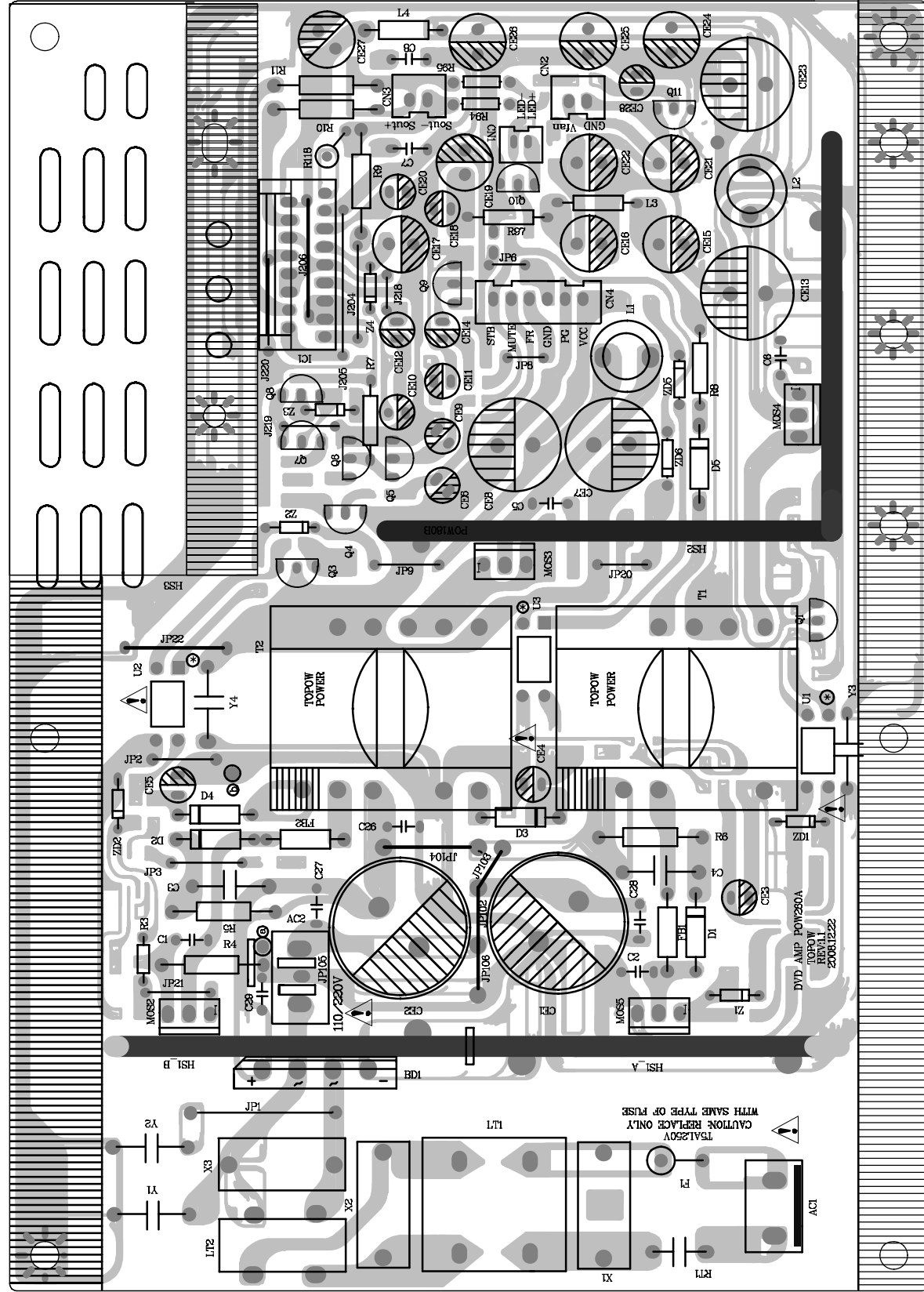




Power Board -- Circuit Diagram -- Part2



Power Board -- Layout Diagram



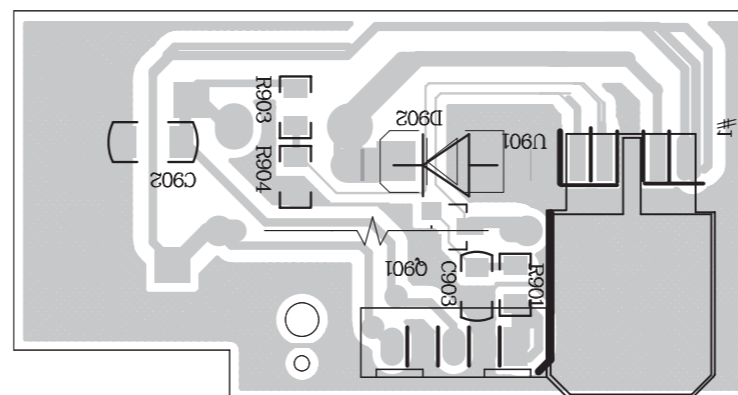
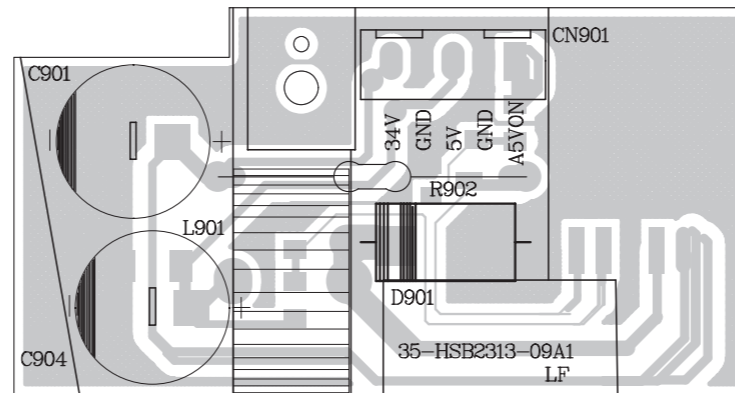
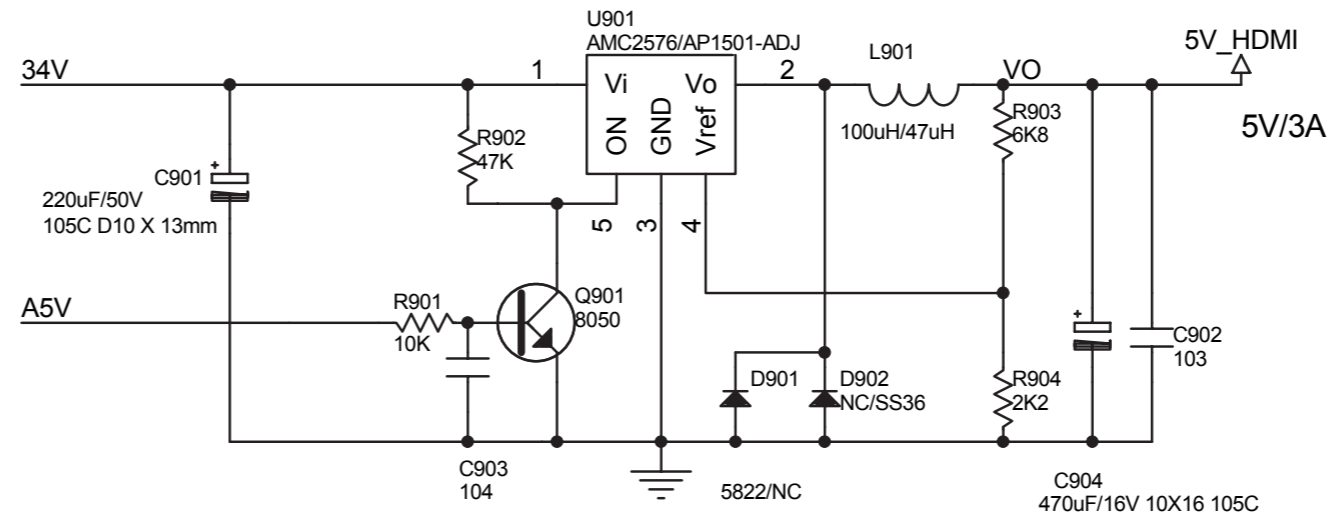
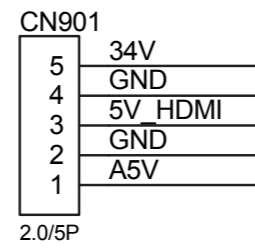


HDMI Power Board -- Circuit & Layout Diagram

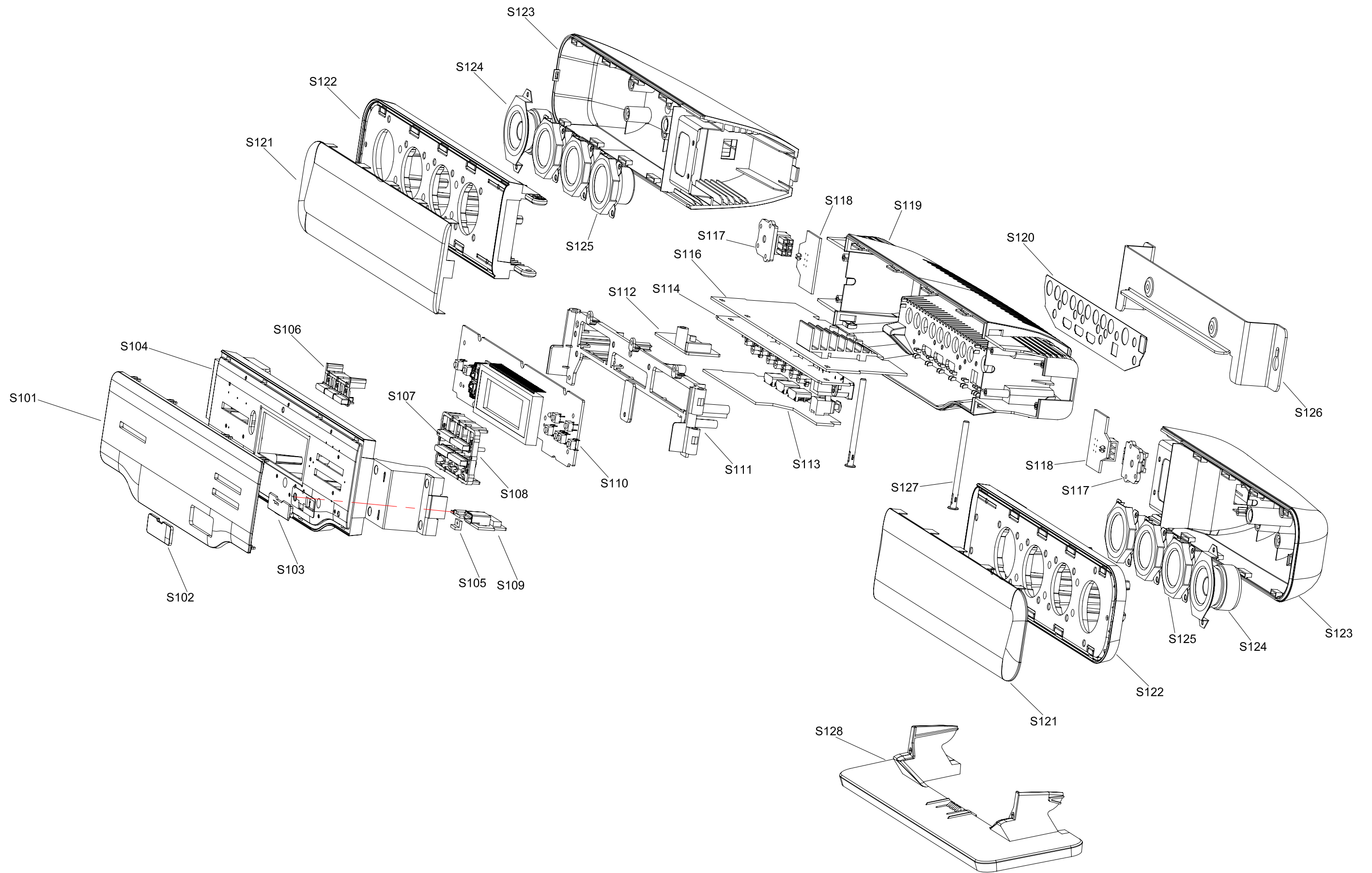
$$V_{out} = V_{FB} \times (1 + R1/R2)$$

$$V_{FB} = 1.23V$$

$$R2 = 1K \sim 3K$$



Explode View



**ACCESSORIES PARTS LIST**

	996510020983	REMOTE CONTROL (YKF223-013)
	996510019360	RCA PLUG COAXIAL-CABLE 1.5m(/93/98)
	994000005078	AUDIO SINGLE WIRE W/RCA 1.5M(12)
	996510000218	VIDEO CABLE 1.5m 3P RD WHI YEL
	996510020994	HSB2313/93 GIFT BOX(/93)
	996510024719	SCART CABLE/21P TO RCA JACK(/12)
SP1	996510021015	HSB2313/93 MAIN SPEAKER BOX(/93)
SP1	996510021014	HSB2313/12 MAIN SPEAKER BOX(/12)
SP1	996510021179	HSB2313/98 MAIN SPEAKER BOX(/98)
SUBW		HSB2313 SUBWOOFER BOX
SUBW1	996510020999	POWER BOARD(POW260A/93)(/93)
SUBW1	996510020976	POWER BOARD(POW260A/12)(/12)
SUB1	996510021183	HSB2313/98 POWER BOARD(/98)
SUBW2	996510020998	HSB2313/93SUBWOOFER BOX CASING(/93)
SUBW2	996510020979	HSB2313/12WOOFER BOX CASING(/12)
SUBW2	996510021184	HSB2313/98SUBWOOFER BOX CASING(/98)
SUBW3	996510021185	MCD759 POWER SWITCH BOARD(/98)

**MECHANICAL&MISCELLANEOUS PARTS**

S101	996510020975	HSB2303 DISPLAY LENS
S102	996510020982	HSB2303 USB DOOR ABS
S103	996510020984	HSB2303 USB DOOR BRACKET
S104	996510020987	HSB2303 FRONT PANEL
S106	996510020995	HSB3280 FUNCTION BUTTON-2(/93/98)
S106	996510019351	HSB3280 FUNCTION BUTTON-2(/12)
S108	996510020996	FUNCTION BUTTON-1 PARTS(/93/98)
S108	996510019343	HSB3280/12 FUNCTION BUTTON(/12)
S111	996510020985	HSB2303 PCB BRACKET ABS
S119	996510020973	HSB2303 BACK CABINET
S120	996510020993	HSB2303 OUT-PUT PC SHEET(/93/98)
S120	996510020986	HSB2303 BACK OUT-PUT PC SHEET(/12)
S128	996510019344	HSB3280 MAIN SET BRACKET ASSY
S109	996510020992	HSB2313 USB BOARD
1	996510029993	HSB2313 HDMI POWER BOARD

**ELECTRICAL PARTS - DISPLAY BOARD**

BZ1	996510004185	TRANSFORMER EPC13 5V
DZ301	996510019336	ZENER DIODE 6.2V 1/2W-52
DZ302	996510005832	ZENER DIODE 27V 1/2W-52
DZ303	996510002926	ZENER DIODE 3V 1/2W-52
IR301	996510015840	IR SENSOR 1MA81P36D1TD001
LED301	996510019338	LED 3 3024BCS01-217 BLUE
Q301	996510015813	TRANSISTOR D965-R -5
SW301	996510000263	LIGHT TOUCH SWITCH 6X6X5
U301	996510000500	IC PT6311/SC16311/CD16311
VFD301	996510019339	NE-3280-1.GBY VFD DISPLAY
S113	996510020988	HDMI BOARD E2313HIN
S114	996510021001	HSB2313-12 OUTPUT BOARD(/FM(/93/98)
S114	996510020989	OUTPUT BOARD HSB2313-12(/12)
S116	996510020997	HSB2313/93 DECODER BOARD(/93)
S116	996510020981	HSB2313/12 DECODER BOARD(/12)
S116	996510021182	HSB2313/98 DVD DECODER BOARD(/98)
S118	996510020991	HSB2313 SP CONNECT BOARD

Note: **Only these parts mentioned in the list are normal service parts.**

## Factory Part List

HSB2313/12 MAIN PARTS ASS'Y	
HSB2303/12 DISPLAY BOARD	
S101	
L301	INDUCTOR 200u 6X5
R311	CARBON FILM RESISTOR 1 1/4W J-52
R337	CARBON FILM RESISTOR 10 1/8W J-52
R349	CARBON FILM RESISTOR 100 1/8W J-52
R317	CARBON FILM RESISTOR 1K 1/8W J-52
R318	CARBON FILM RESISTOR 1K 1/8W J-52
R319	CARBON FILM RESISTOR 1K 1/8W J-52
R320	CARBON FILM RESISTOR 1K 1/8W J-52
R332	CARBON FILM RESISTOR 10K 1/8W J-52
R333	CARBON FILM RESISTOR 10K 1/8W J-52
R341	CARBON FILM RESISTOR 10K 1/8W J-52
R336	CARBON FILM RESISTOR 2.2K 1/8W J-52
R334	CARBON FILM RESISTOR 220 1/8W J-52
R335	CARBON FILM RESISTOR 220 1/8W J-52
R331	CARBON FILM RESISTOR 22K 1/8W J-52
R339	CARBON FILM RESISTOR 22K 1/8W J-52
R340	CARBON FILM RESISTOR 22K 1/8W J-52
R312	CARBON FILM RESISTOR 33 1/8W J-52
R314	CARBON FILM RESISTOR 33 1/8W J-52
R315	CARBON FILM RESISTOR 33 1/8W J-52
R342	CARBON FILM RESISTOR 33 1/8W J-52
R327	CARBON FILM RESISTOR 33K 1/8W J-52
R328	CARBON FILM RESISTOR 33K 1/8W J-52
R329	CARBON FILM RESISTOR 33K 1/8W J-52
R330	CARBON FILM RESISTOR 33K 1/8W J-52
R338	CARBON FILM RESISTOR 4.7K 1/8W J-52
R350	CARBON FILM RESISTOR 4.7K 1/8W J-52
R310	CARBON FILM RESISTOR 47K 1/8W J-52
R316	CARBON FILM RESISTOR 47K 1/8W J-52
R348	CARBON FILM RESISTOR 47K 1/8W J-52
R346	CARBON FILM RESISTOR 2.2 1/2W J-52
R347	CARBON FILM RESISTOR 2.2 1/2W J-52
IR301	IR SENSOR SMALL 1MA81P36D1TD001 (36kHz)
DZ303	ZENER DIODE 3V 1/2W-52
DZ301	ZENER DIODE 6.2V 1/2W-52
DZ302	ZENER DIODE 27V 1/2W-52
C304	CHIP CERAMIC CAP.102p 50V K-5
C305	CHIP CERAMIC CAP.102p 50V K-5
C301	CHIP CERAMIC CAP.104p 50V K
C303	CHIP CERAMIC CAP.104p 50V K-5
C302	CHIP CERAMIC CAP.104p 50V K-5
C307	MYLAR CAP. 473p 100V K-5
CE310	ELECTROLYTIC CAP.4.7u 50V L-5 4X5
CE306	ELECTROLYTIC CAP.10u 50V M-5 5X5
CE307	ELECTROLYTIC CAP. 220u 16V L-5 6.3X5
CE301	ELECTROLYTIC CAP.47u 16V L-5 5X5
CE303	ELECTROLYTIC CAP.47μ 35V L-5 105°C 6.3X7
D303	FASTER DIODE FR104 -52
D301	DIODE 4148-52
D302	DIODE 4148-52
D304	DIODE 4148-52
Q301	TRANSISTOR D965-R -5
Q302	TRANSISTOR D965-R -5
LED301	LED Φ3 3024BCS01-217 BLUE
BZ1	△TRANSFORMER EPC13 5V 14X11X7

## Factory Part List

SW301	TACT SWITCH 6X6X5 250g
SW302	TACT SWITCH 6X6X5 250g
SW303	TACT SWITCH 6X6X5 250g
SW304	TACT SWITCH 6X6X5 250g
SW305	TACT SWITCH 6X6X5 250g
SW306	TACT SWITCH 6X6X5 250g
SW307	TACT SWITCH 6X6X5 250g
SW308	TACT SWITCH 6X6X5 250g
SW309	TACT SWITCH 6X6X5 250g
VFD301	NE-3280-1.GBY VFD DISPLAY
U301	IC PT6311/SC16311/CD16311 (H=1.4)
JP301-303	JUMPER WIRE $\Phi$ 0.6X40mm (375m=1kG)
JP305-315	JUMPER WIRE $\Phi$ 0.6X40mm (375m=1kG)
JP317-322	JUMPER WIRE $\Phi$ 0.6X40mm (375m=1kG)
	DVD DISPLAY PCB 35-HSB2303-03A1 225X50
	BLACK SPONGE 15X10X2.5 40°
	BLACK SPONGE 10X10X8 75°
S109	<b>HSB2313 USB BOARD</b>
C501	CHIP CERAMIC CAP.100p 50V K-5 H<7
C504	CHIP CERAMIC CAP.100p 50V K-5 H<7
J501	D.3.5 SOCKET ST—3541 4P BLACK
USB501	USB JACK A-TYPE 4P FEMALE 90 DIP TYPE
CN501	PINS CONNECTOR 2.0/4P
R502-504	JUMPER WIRE $\Phi$ 0.6X40mm (375m=1kG)
	USB PCB 35-HSB2313-05A1 51X23
S117	<b>HSB2313 SP CONNECT BOARD</b>
CN701	PINS CONNECTOR 2X3P(PH=4.2)
CN702	PINS CONNECTOR 2.0/2P
CN703	PINS CONNECTOR 2.5/2P
	CONNECT PCB 35-HSB2313-07A1 40X32.5
	<b>HSB2313/12 SOFTWARE</b>
	HSB2313/12 MCU SOFTWARE
	HSB2313/12 MIAN SOFTWARE
S116	<b>HSB2313/12 DECODER BOARD</b>
	DVD DECODER EJS89H2313-12
	MICA INSULATION SHEET 15.5X11
	SCREW 3 X 8 BTH(PLATING)
	HSB3280 RADIATOR
S108	<b>HSB3280/12 FUNCTION BUTTON PARTS</b>
S107	HSB3280 LED LIGHT-GUIDE
S108	HSB3280 FUNCTION BUTTON-1
S128	<b>HSB3280 MAIN STAND</b>
	MCD770 RUBBER FOOT( $\Phi$ 12X1.5 BLACK)
	HSB3280 MAIN SEAT BRACKET(ABS BLACK)
	PLASTIC BAG(PE) 38X14cm PHILIPS
	<b>HSB2313/12 CASING PARTS</b>
S114	OUTPUT BOARD HSB2313-12
S113	HDMI BOARD HSB2313(PCB:E2313HIN)
S120	HSB2303 BACK OUT-PUT PC SHEET
S101	HSB2303 DISPLAY LENS
S104	HSB2303 FRONT PANEL(HIPS)
S119	HSB2303 BACK CABINET(HIPS)
S111	HSB2303 PCB BRACKET
S103	HSB2303 USB DOOR BRACKET
S102	HSB2303 USB DOOR(ABS)
S106	HSB3280 FUNCTION BUTTON-2
	1322 FILTER SHEET(30030 RED)

## Factory Part List

	SCREW 3 X 10 FA(BLACK)
	SCREW 3 X 12 FA Φ6
	SCREW 3 X 10 FA Φ5.5 PLATE
	SCREW 3 X 6 PWB
	SCREW 3 X 8 PWA(PLATING)
	SCREW 3 X 6 PWB
	SCREW 3 X 8 PWA(PLATING)
	SCREW 3 X 8 PA (PLATING)
	SCREW 3 X 8 FA (PLATING)
	SCREW 3 X 8 PA (PLATING)
	SCREW 3 X 8 PA (PLATING)
	28WIRE 80 2.0/11PX1 2.0/11PX1
	28WIRE 100 2.0/11PX2
	22 SINGLE WIRE 90 2.0/8PX2
	28SHIELDING 130 2.0/7PX2
	28SHIELDING 90 2.0/5PX1 2.0/5PX1
	28WIRE+28SHIELDING 150 2.0/4PX2
	22WIRE+28WIRE 60 2.0/6PX2
	26WIRE+28SHIELDING 250 2.0/4PX2
	28WIRE 150 2.0/6PX1 2.0/5PX1
	28WIRE+22SINGLE WIRE+28SHIELDING 130
	22 SINGLE WIRE 130 2.5/2PX2 2.0/2PX2
	22 SINGLE WIRE 400 2.5/2PX2 2.0/2PX2
	<b>HSB2313/12 MAIN SPEAKER BOX</b>
S124	TWEETER 1 1/2" 3Ω5WΦ35
S125	MEDIANT 1 1/2" 9Ω12W
S121	HSB2303 SPEAKER GRILLE(BLACK)
S122	HSB2303 SPEAKER FRONT CABINET(HIPS)
S123	HSB2303 SPEAKER BACK CABINET(HIPS)
	HSB2303 AIRPROOF COVER(ABS)
	SCREW 3X5 BT (PLATING)
	SCREW 3 X 12 BA(BLACK)
	SCREW 3 X 8 PA (PLATING)
	22 SINGLE WIRE 250/130/555T/6P
	22 SINGLE WIRE 70 2P
	HSB2313/12 SPEAKER BOX LABEL
	PLASTIC BAG(PE) 45X20cm PHILIPS
	<b>HSB2313/12WOOFER SPEAKER BOX</b>
	<b>HSB2313/12 POWER BOARD</b>
	POWER BOARD POW260A-12
	MINI FAN RDM4010S/DC12V/0.07A
	SCREW 3 X 18 PTH (PLATING)
	<b>HSB2313/12WOOFER SPEAKER BOX CASING</b>
	<b>HSB2313/12 WOOFER LAMP BOARD</b>
LED801	LED Φ3 3024BCS01-217 BLUE
	WOOFER LAMP PCB 35-HSB2313-08A1 22X21
	SUBWOOFER 6 1/2" 3Ω150WΦ90
	HSB2303 SUBWOOFER METAL BOTTOM
	HSB2303 WOOFER TOP COVER(HIPS)
	HSB2303 WOOFER GRILLE(ABS)
	HSB2303 WOOFER LIGHT-GUIDE(PMMA)
	PORT TUBE(DJ-213 Φ71X52X48 PLASTIC)
	PAPER TUBE(Φ57.5XΦ52.5X170)
	PAPER TUBE(Φ52.5XΦ49.5X120) HSB3280
	HSB2303 WOODEN BOX(BLACK PVC)
	? POWER CORD CLIP FIXER 5N-4 H10(BLACK)
	RUBBER FOOT Φ30X25X(Φ20)

## Factory Part List

CONTROL CABLE 2M  $\Phi$ 3.5+DC $\Phi$ 2 2.5/4P/2P  
 POWER CORD 1.95m VH3.96 VDE  
 POWER CORD SOCKET /VH3.96/3P  
 FERRITE RING JTH28X16X8  
 BLACK SPONGE  $\Phi$ 32X2 40°  
 BLACK SPONGE 12X10X14 40°  
 SCREW 3 X 12 BAH BLACK  
 SCREW 3 X 16 PAH  
 SCREW 4 X 16 BAH(BLACK)  
 SCREW 4 X 16 BM BLACK  
 SCREW 3.5 X 25 BA BLACK  
 20 CONNECTION WIRE 300 2.5/2PX1  
 26 WIRE 600 2.0/2PX1  
 HSB2313/12 SUBWOOFER LABEL  
 PLASTIC BAG(PE) 60X50cm  
 PLASTIC BAG(PE) 25X10cm

**HSB2313/12 ACCESSORY PARTS**

REMOTE CONTROL (YKF223-013)  
 HSB2313/12-A INSTRUCTION MANUAL  
 HSB2313/12-B INSTRUCTION MANUAL  
 WARRANTY CARD(PH 9965 100 15858 )  
 HSB2313/12 QUICK START GUIDE(S/G)  
 HSB2313/12 QUICK START GUIDE(E/F)  
 HSB2313/12 QUICK START GUIDE(H/I)  
 BATTERY PAPER SHEET 148X210 58/12VER  
 AV WIRE 1.5m/RCA JACK(YELLOW)/BLACK  
 AV WIRE 1.5m 3P RED/WHITE/YELLOW  
 AAA PHILIPS BATTERY 1.5V

**HSB2303 HOLD-WALL PARTS**

HSB3280 HOLD-WALL IRON BRACKET  
 HSB2303 FIXER AXIS  $\Phi$ 4X64.2  
 SCREW 3 X 6 BM BLACK  
 SCREW 4 X 30 BA NICKLE-PLATE  
 EXPLODE PLASTIC POLE  $\Phi$ 6X30  
 PLASTIC BAG(PE) 38X14cm PHILIPS  
 PLASTIC BAG(PE) 12X4cm  
 PLASTIC BAG(PE) 23X14cm

**HSB2313/12 PACKING PARTS**

HSB2303 POLYFOAM  
 HSB2313/12 GIFT BOX  
 PASSED LABEL  $\Phi$ 13  
 HSB2313/12 GIFT BOX LABEL  
 HSB2313/12 MAIN SET LABEL 45X13  
 HSB2313/12 SPECIAL LABEL  
 HSB2313/12 MAIN SERIAL NO LABEL  
 HSB2313/12 MAIN MODEL LABEL  
 HSB2313/12 POS BILLBOARD  
 PLASTIC BAG(PE) 56X21cm  
 PLASTIC BAG(PE) 20X6cm  
 PLASTIC BAG(PE) 26X17cm PHILIPS