

10. Circuit Diagrams and PWB Layouts

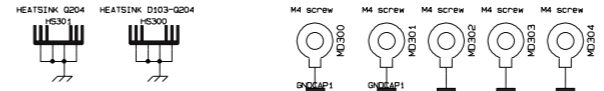
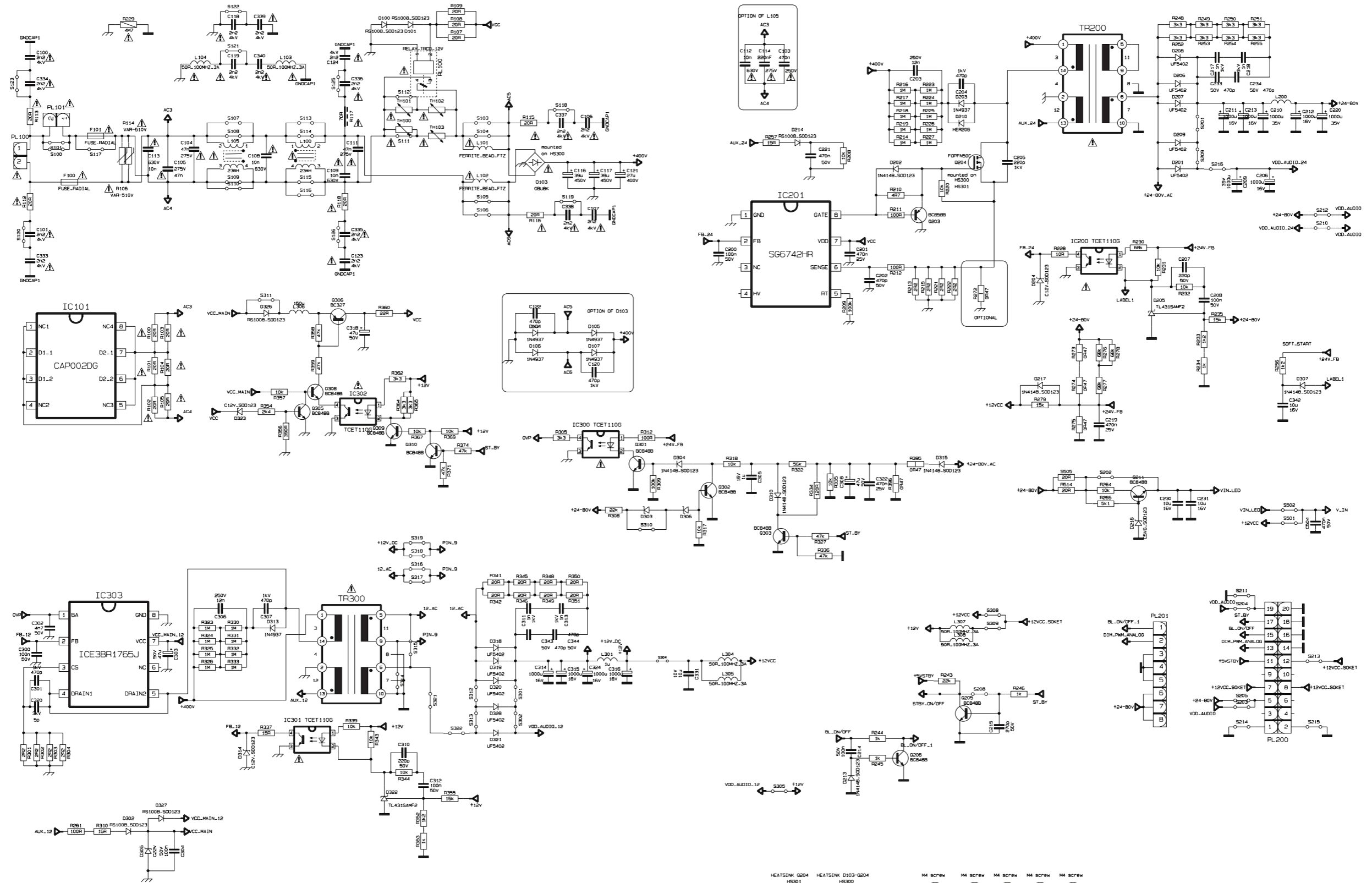
10.1 A 17ips19-5 26" to 40" LED Slim Integrated Power Supply

10-1-1 A01

A01

26" to 40" Slim Integrated Power Supply

A01

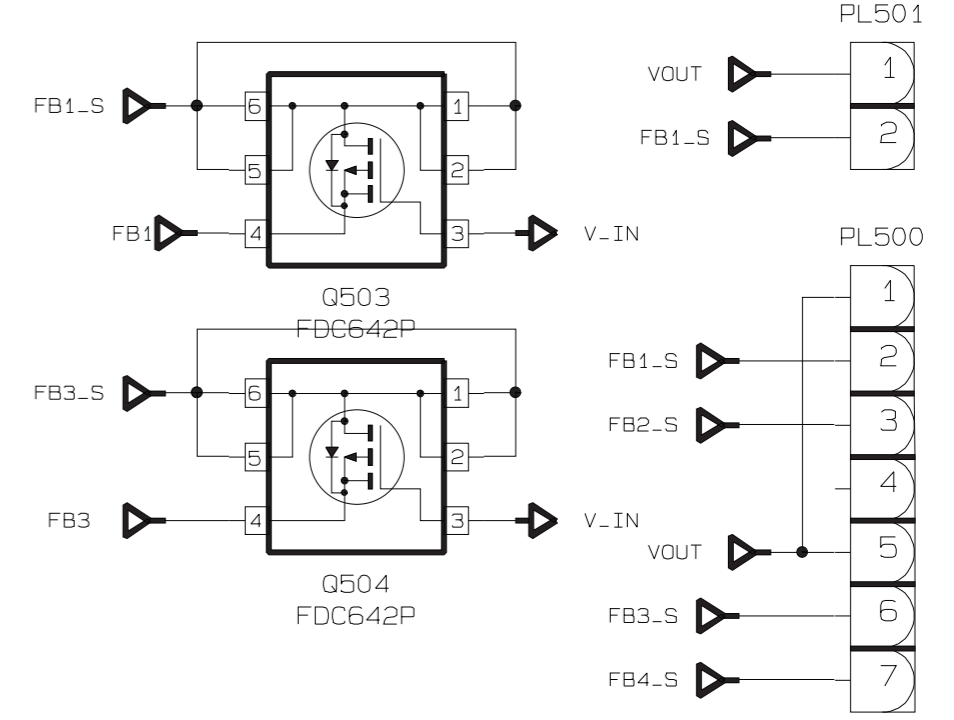
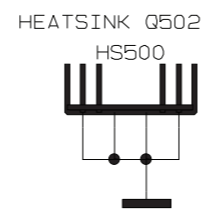
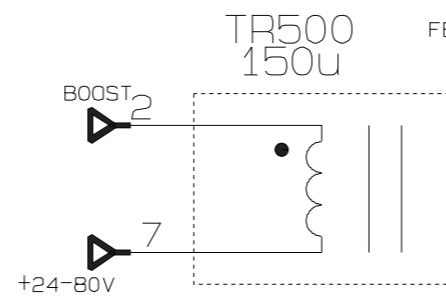
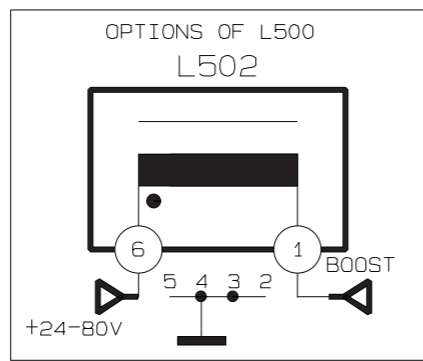
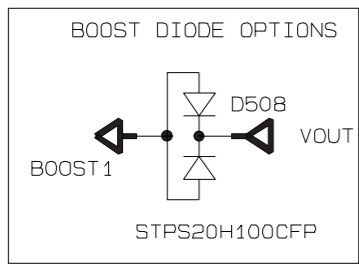
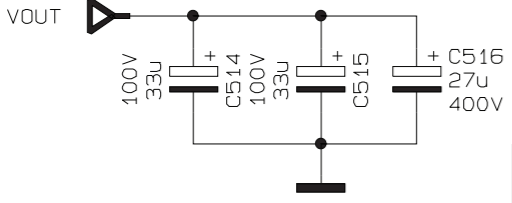
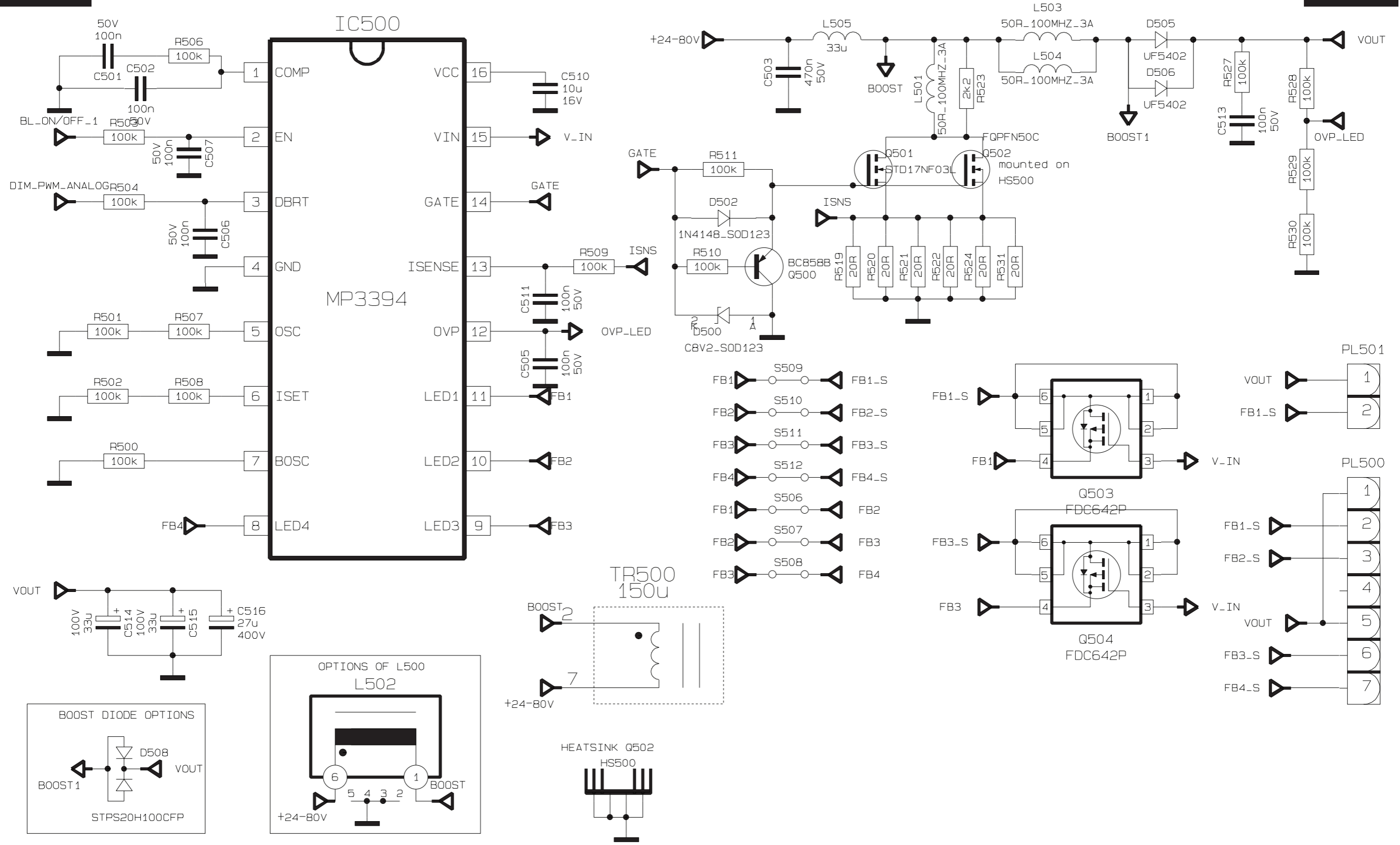


26" to 40" Slim Integrated Power Supply	2722 171 9032	3	2011-05-02
---	---------------	---	------------

10-1-2 A02

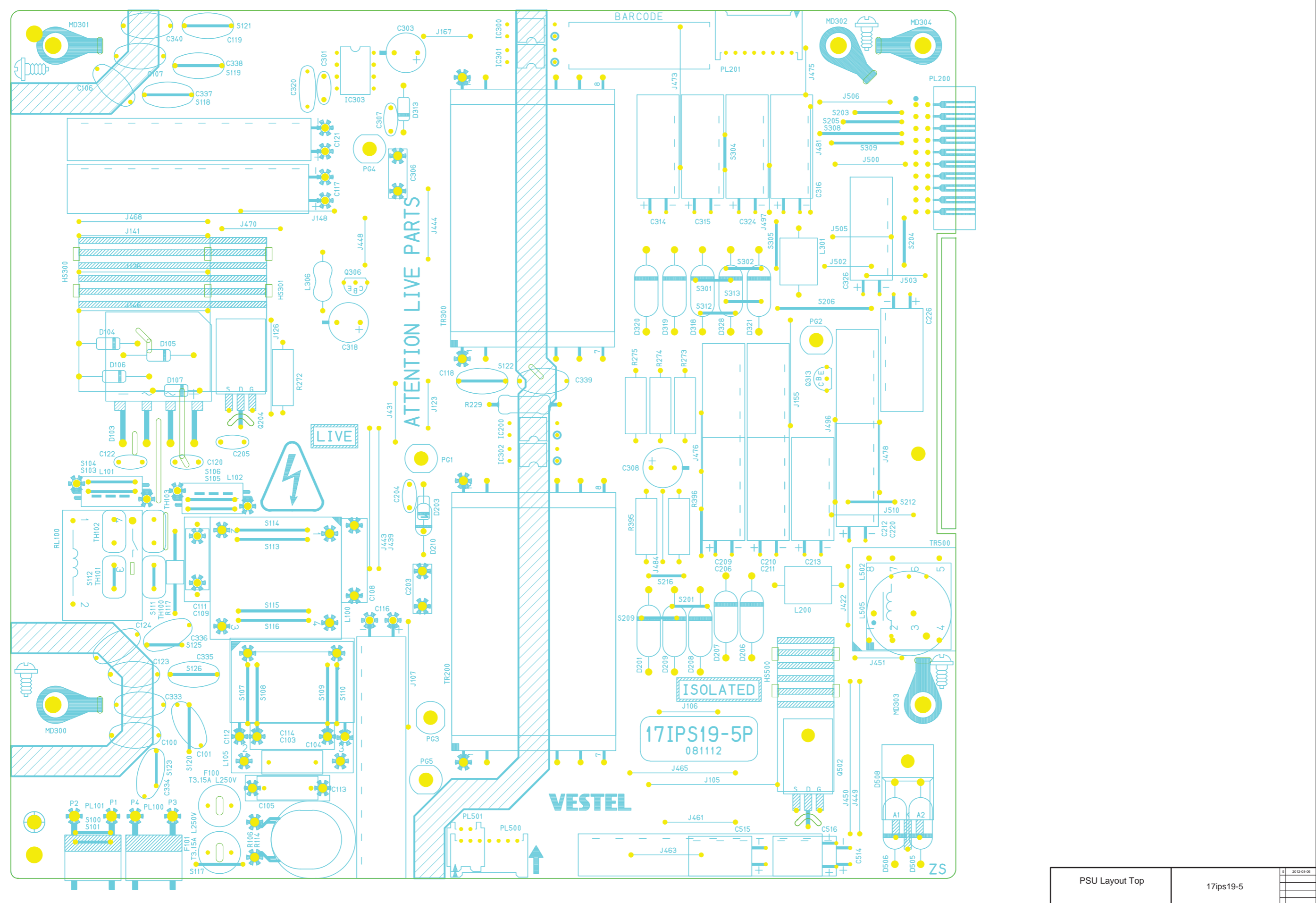
A02 26" to 40" Slim Integrated Power Supply

A02



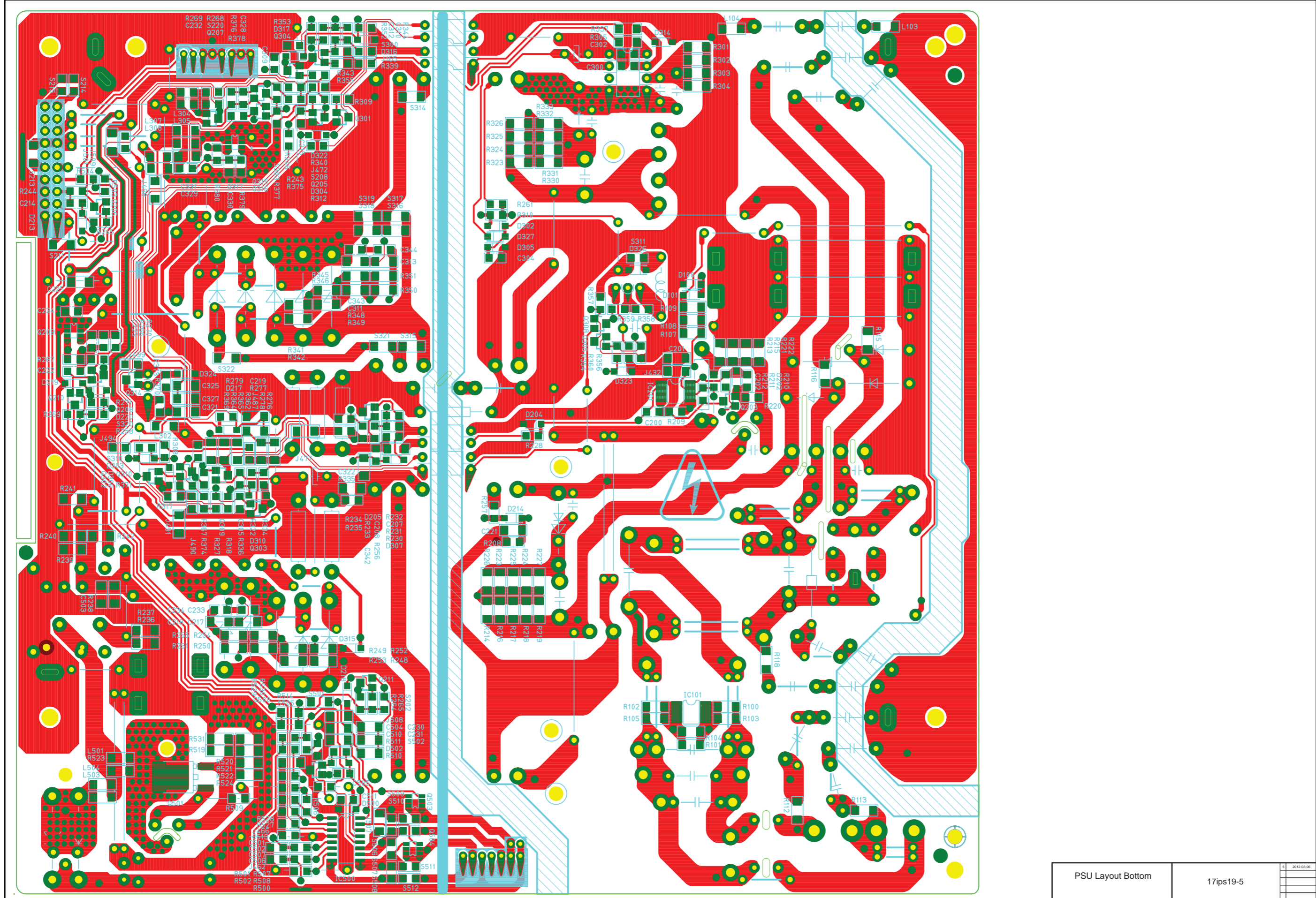
26" to 40" Slim Integrated Power Supply	17IPS19-5	1	2012-08-08
		2	
		3	
		4	
		5	
		6	
		7	

10-1-3 Layout top



PSU Layout Top	17ips19-5	1	2012-08-08

10-1-4 Layout bottom



PSU Layout Bottom	17ips19-5	1	2012-08-08

19420_503_130311.eps
130311