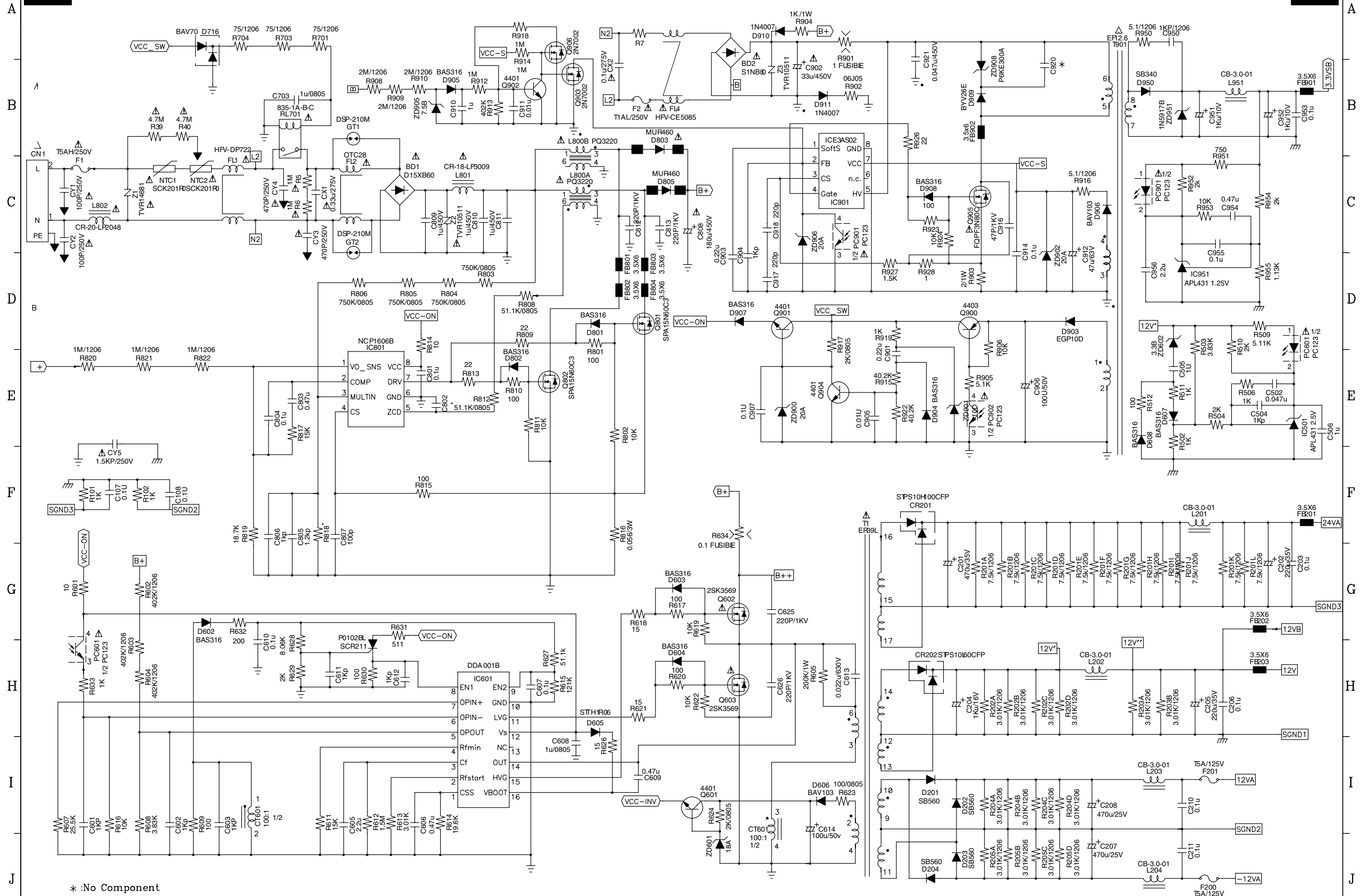


# A1 DISPLAY SUPPLY (37" & 42"): PART 1

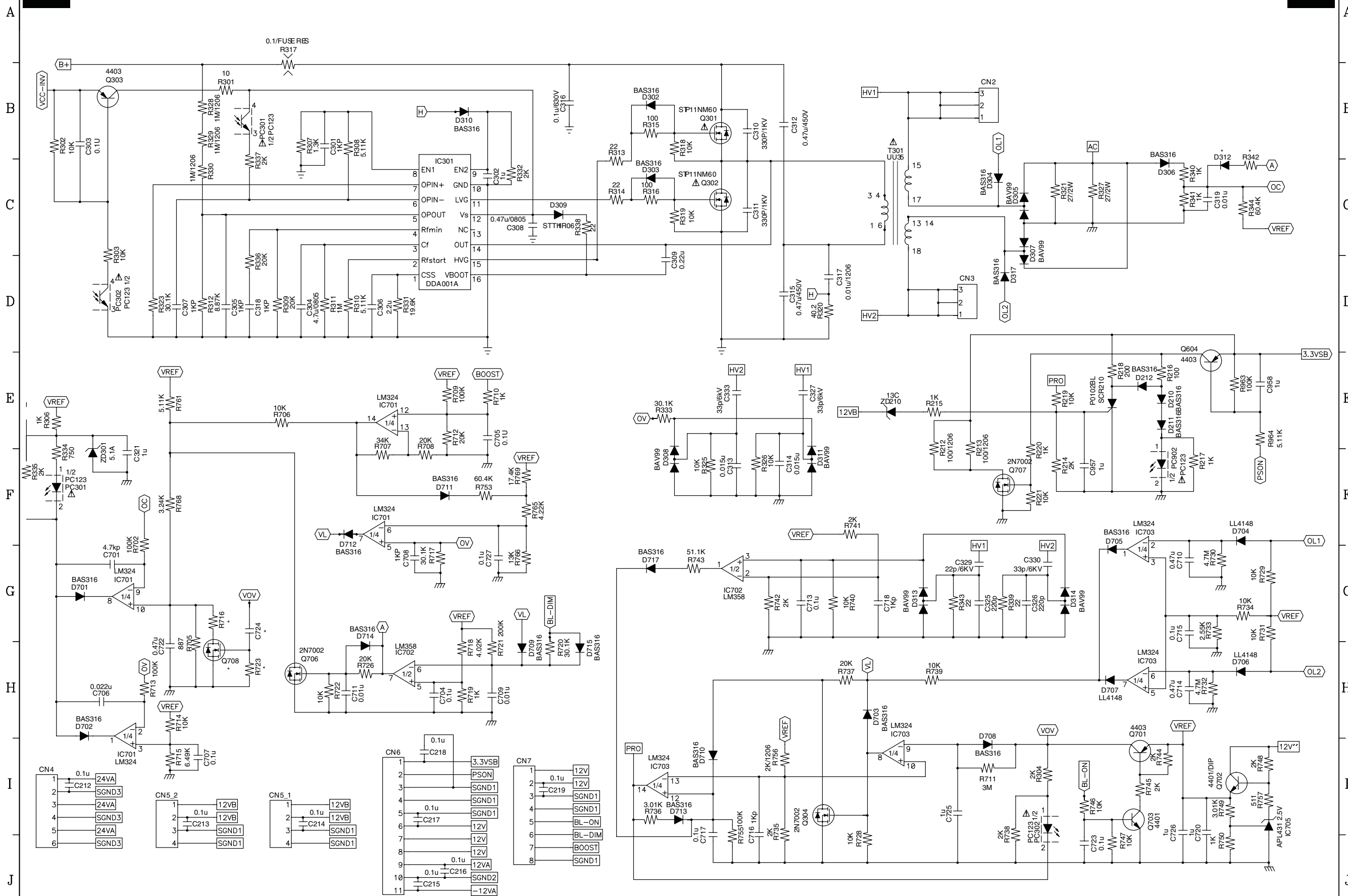
A1

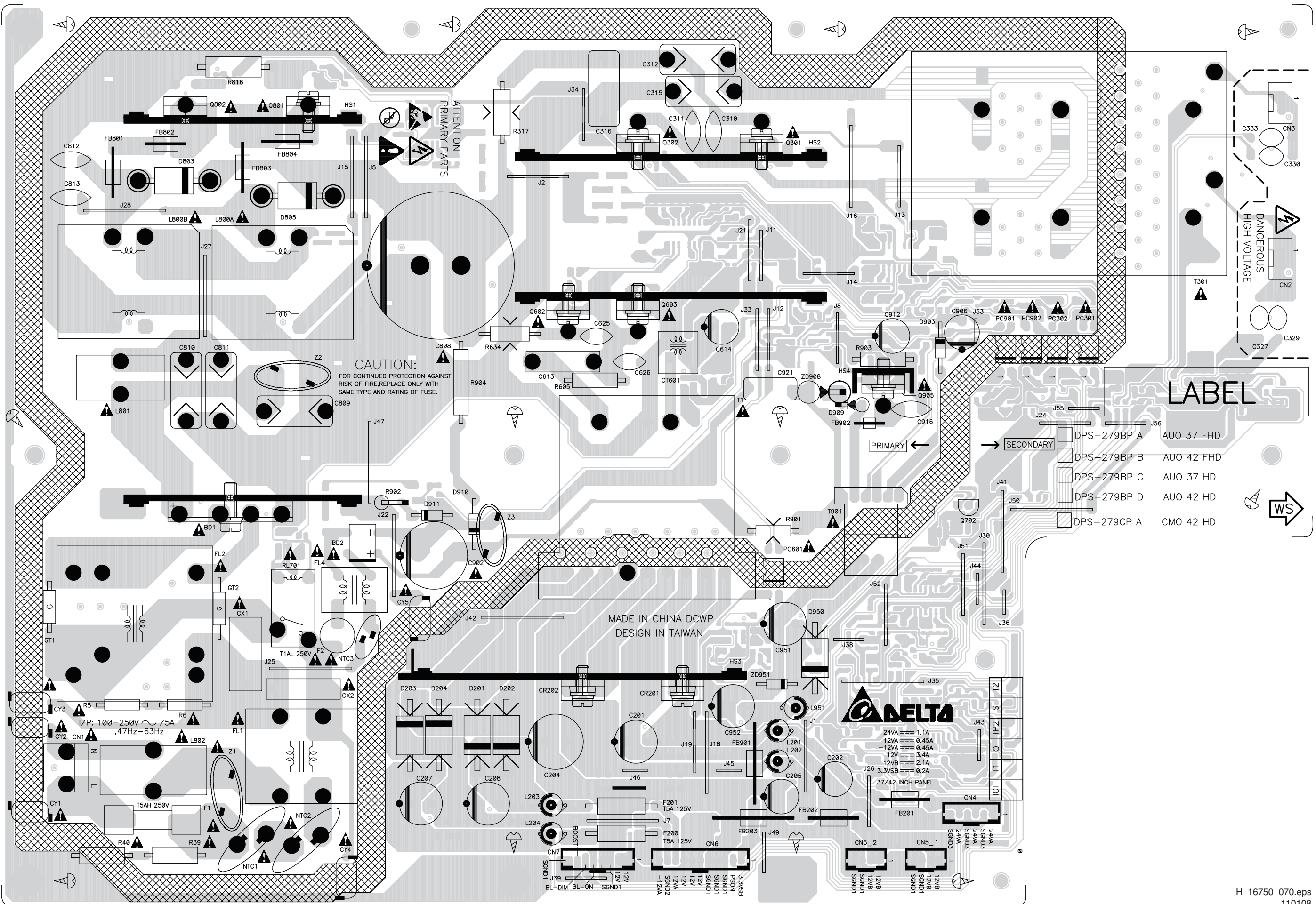


\* :No Component

# A2 DISPLAY SUPPLY (37" & 42"): PART 2

A2





**CAUTION:**  
FOR CONTINUED PROTECTION AGAINST  
RISK OF FIRE, REPLACE ONLY WITH  
SAME TYPE AND RATING OF FUSE.

ATTENTION  
PRIMARY PARTS

DANGEROUS  
HIGH VOLTAGE

LABEL

MADE IN CHINA DCWP  
DESIGN IN TAIWAN



PRIMARY	→	SECONDARY	DPS-279BP A	AUO 37 FHD
			DPS-279BP B	AUO 42 FHD
			DPS-279BP C	AUO 37 HD
			DPS-279BP D	AUO 42 HD
			DPS-279CP A	CMO 42 HD

24VA	1.1A
12VA	0.45A
-12VA	0.45A
12V	3.4A
12VB	2.1A
J26 3.3VSB	0.2A

37/42 INCH PANEL



