

CAPACITOR : IF NOT SPECIFICALLY DESIGNATED ARE:  
 UNIT: #F RATED  
 VOLTAGE: 25V  
 SPECIAL: S SPECIAL  
 TOLERANCE: C-C/C-TA-K, C-E-M  
 C-MF/C-PP/C-MF-PP-J

RESISTOR : IF NOT SPECIFICALLY DESIGNATED ARE:  
 WATTAGE: 1/10W  
 TOLERANCE: J

DIODE : IF NOT SPECIFICALLY DESIGNATED ARE:  
 TYPE: HSM123/DAN217/APS26

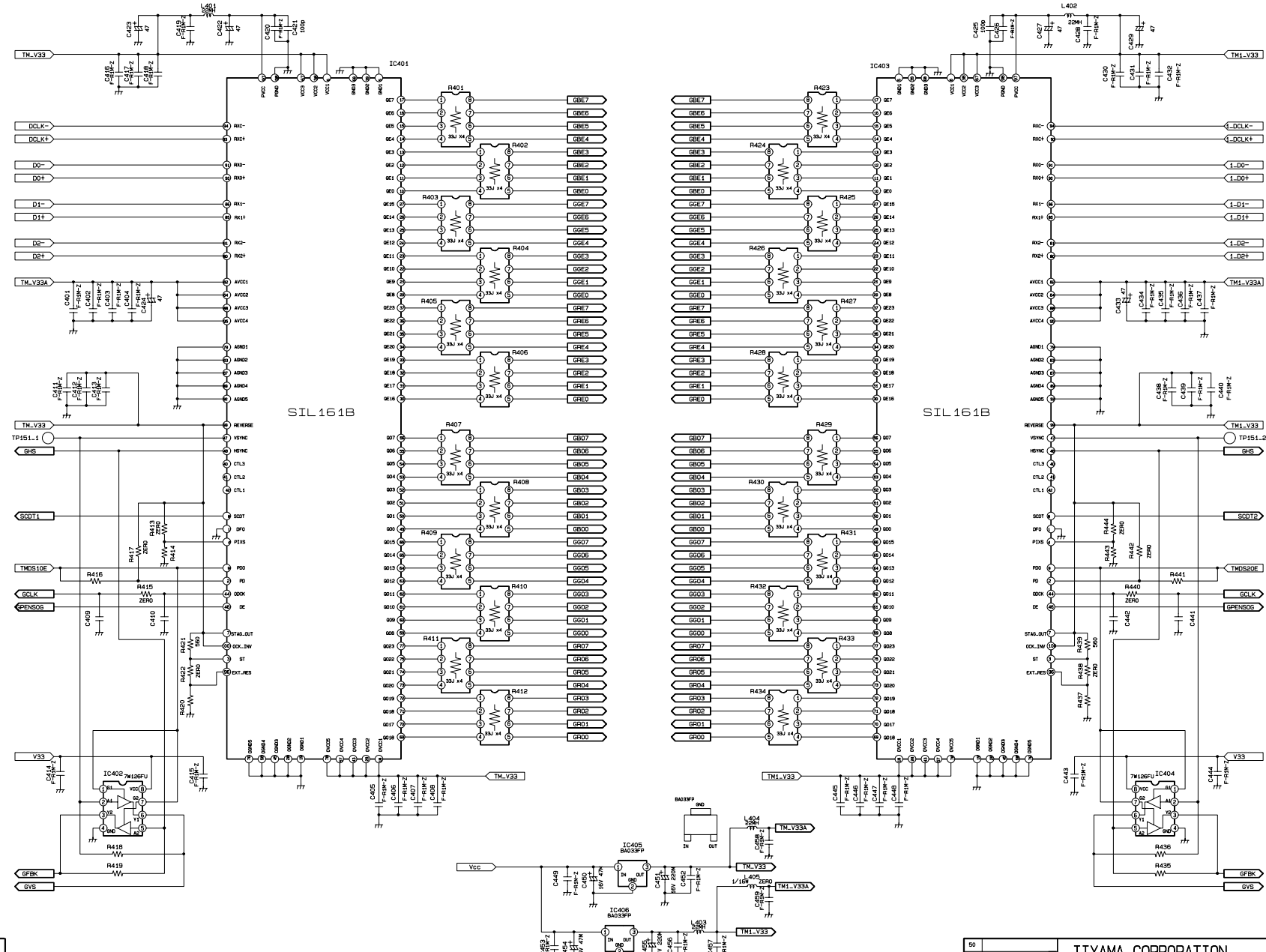
SIGNAL INPUT & ADC BLOCK

IIYAMA CORPORATION				DRAWING TITLE	
DATE 2002/08/01				CIRCUIT DIAGRAM	
PARTS-LIST REV. 1				DRAWING NO.	
AS4821DT BK		DRAWN		APPROVED	
AS4821DT		DESIGNED		CHECKED	
GROUP NO.		APPLICABLE MODEL NO.		980S026 1/8	
T. Yamazaki					

CHANGE

980S026

AS4821DT/DT BK  
TMD5-BLOCK



SIL 161B

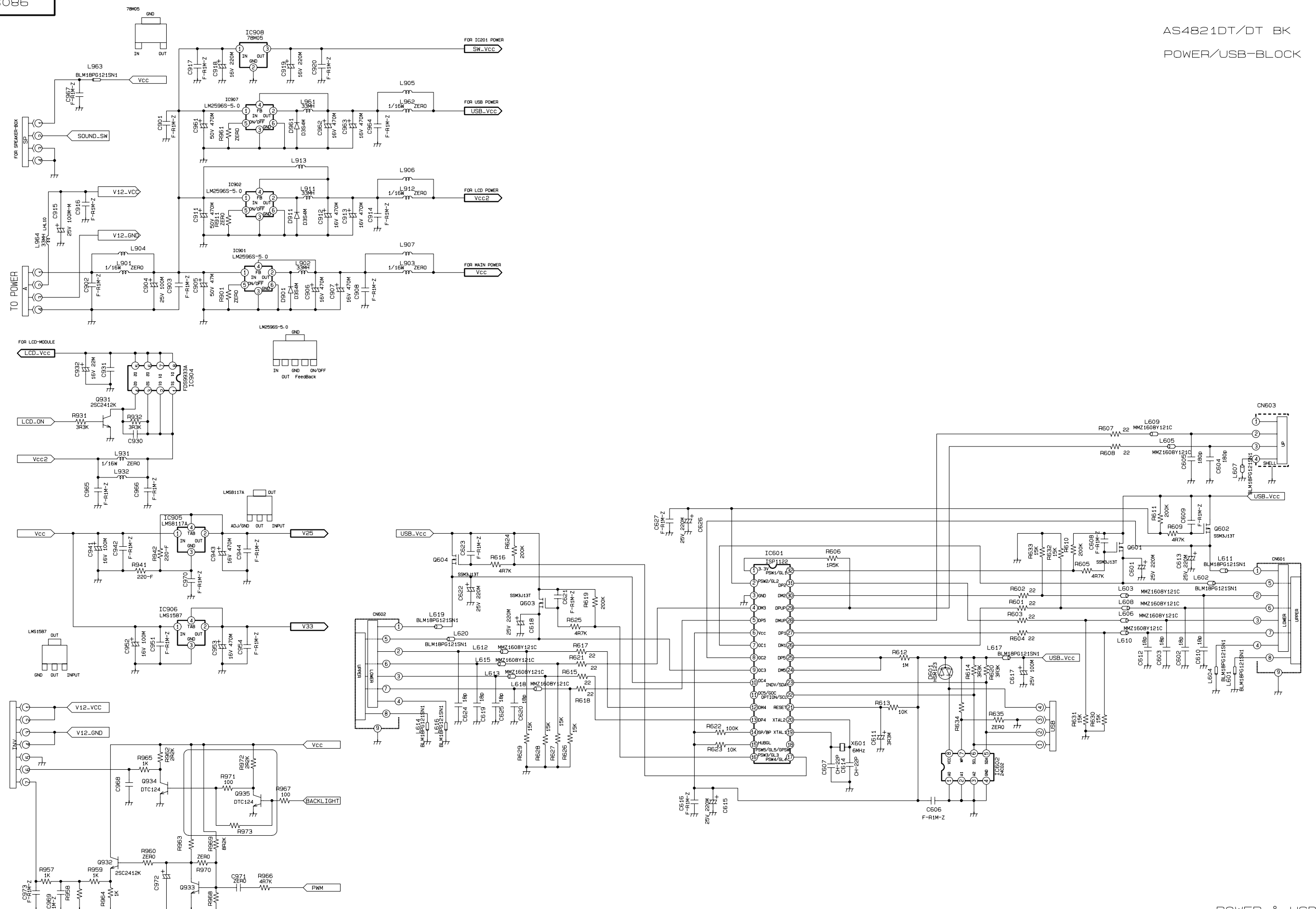
SIL 161B

CAPACITOR : IF NOT SPECIFICALLY DESIGNATED ARE:  
UNIT: μF RATED  
VOLTAGE: 25V  
SPECIAL: B SPECIAL  
TOLERANCE: 1% C-PP/C-TALK, C-E-W  
C-W/C-PP/C-WF-PP-U  
RESISTOR : IF NOT SPECIFICALLY DESIGNATED ARE:  
WATTAGE: 1/10W  
TOLERANCE: 1%  
DIODE : IF NOT SPECIFICALLY DESIGNATED ARE:  
TYPE: 1N4148/1N4148/1N4148

CHANGE

50	IIYAMA CORPORATION				DRAWING TITLE	
40	DATE 2002/06/27				PARTS-LIST REV. ホ	
30	DRAWN DESIGNED CHECKED APPROVED				CIRCUIT DIAGRAM	
20	AS4821DT_BK				DRAWING NO.	
10	AS4821DT				980S026 2/	
GROUP NO.	APPLICABLE MODEL NO.	T. Yamazaki				

DVI-TMDS x2 BLOCK



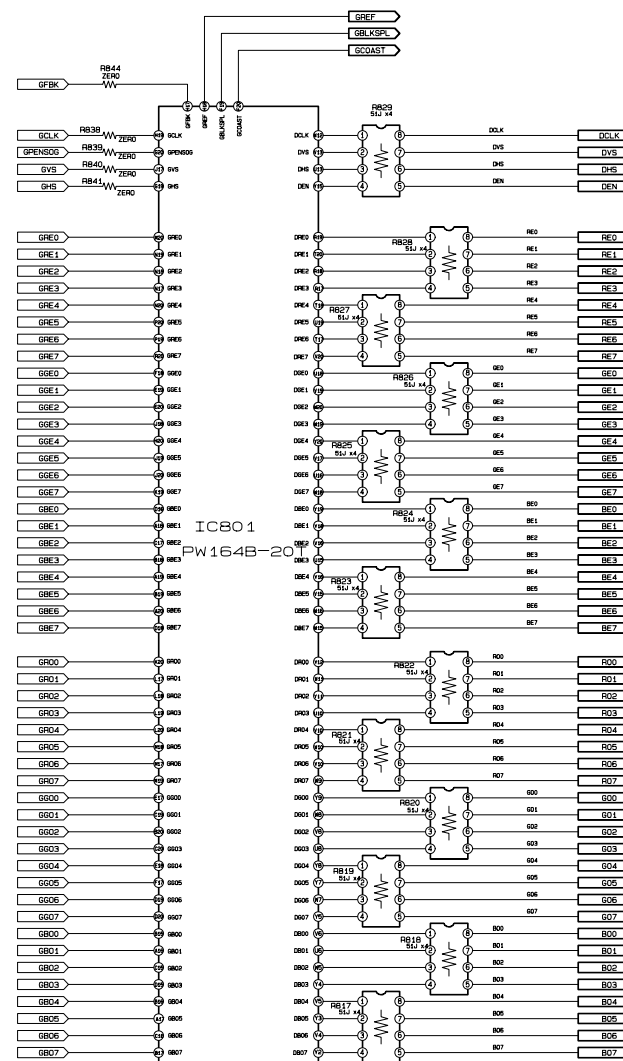
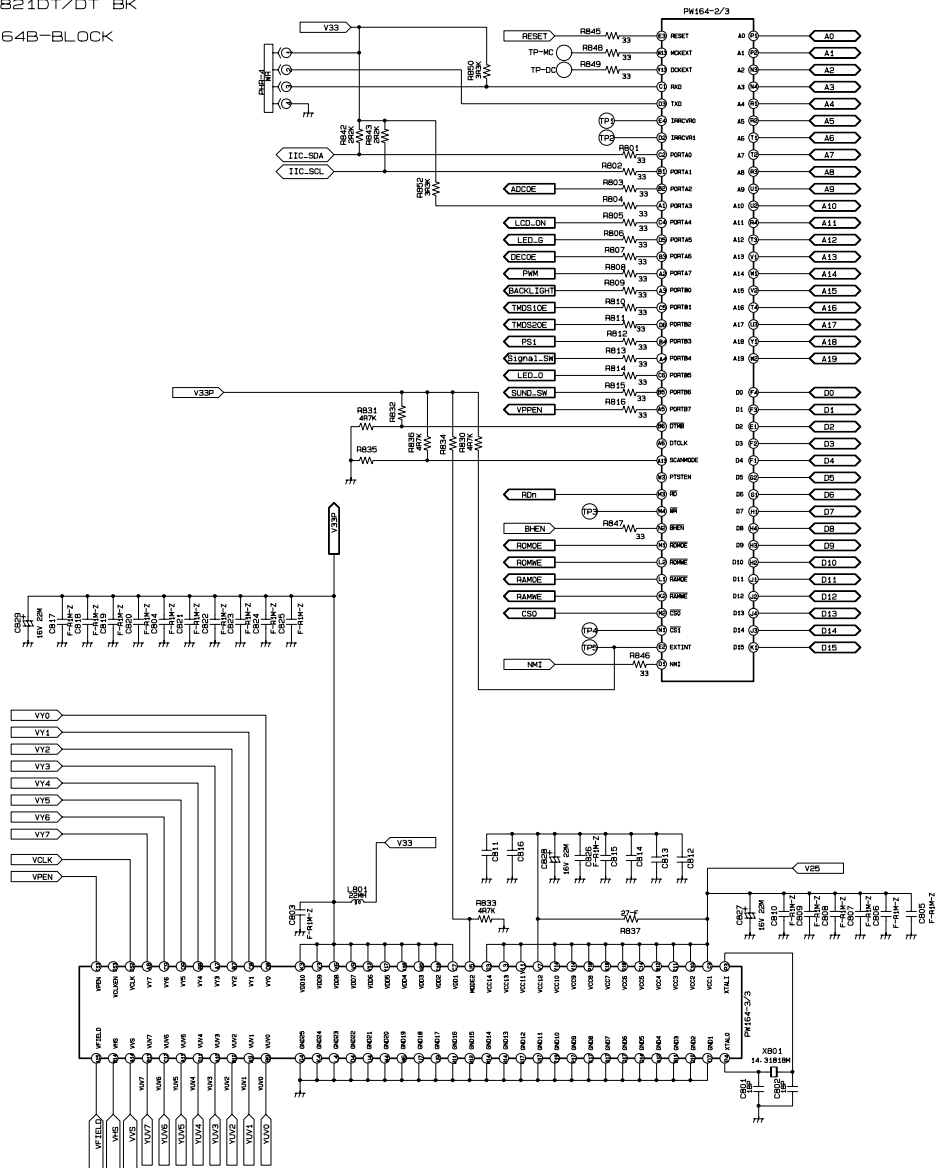
POWER & USB BLOCK

CHANGE

50	IIYAMA CORPORATION				DRAWING TITLE			
40	DATE 2002/08/06				PARTS-LIST REV. ㊦			
30	DRAWN				DESIGNED			
20	AS4821DT BK				CHECKED			
10	AS4821DT				APPROVED			
GROUP NO.	T. Yamazaki				DRAWING NO.			
					9805026			
					3/8			

9805026

AS4B21DT/DT BK  
PW164B-BLOCK



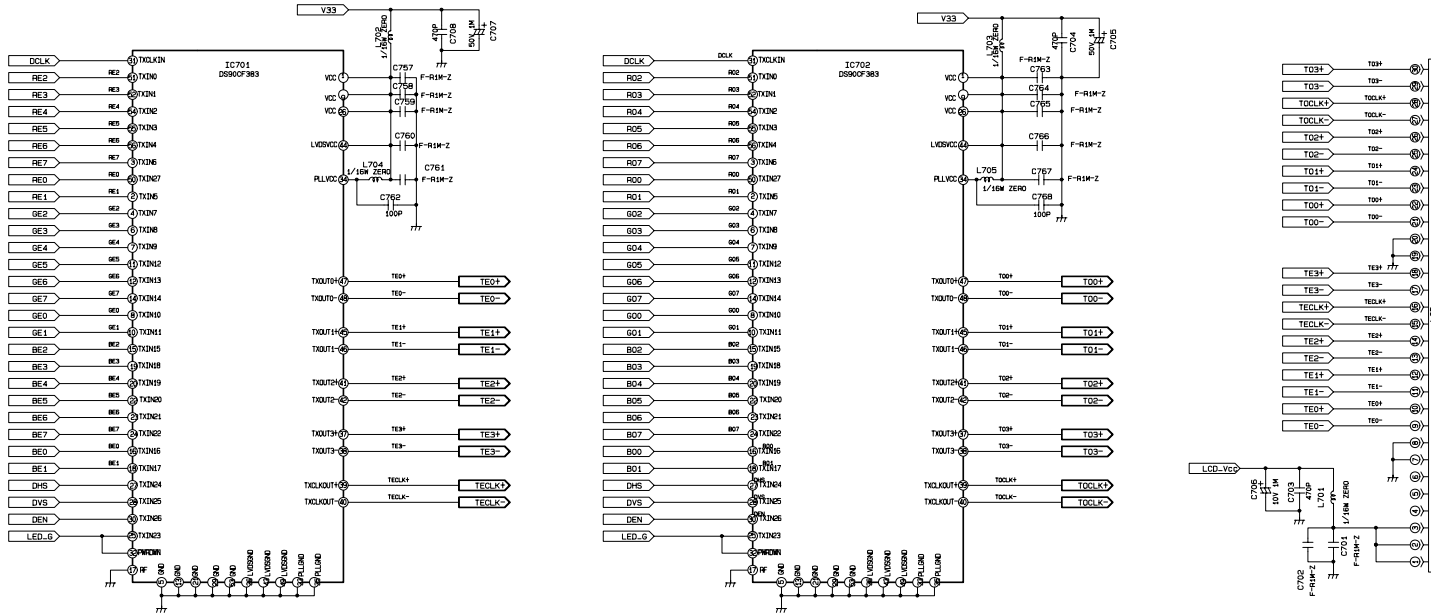
SCALLER BLOCK

CHANGE

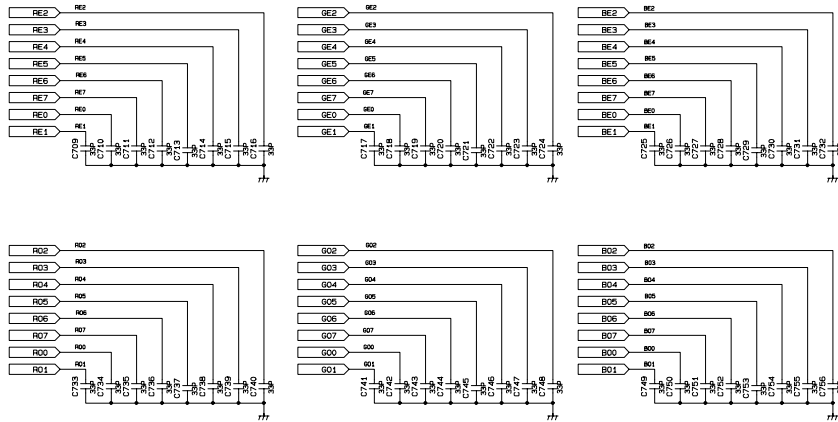
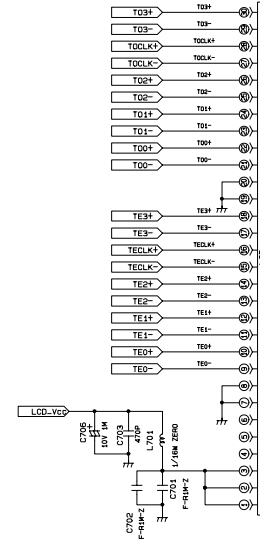
50	IIYAMA CORPORATION			DRAWING TITLE	
40	DATE	2002/06/27	PARTS-LIST REV.	CIRCUIT DIAGRAM	
30	DRAWN	DESIGNED	CHECKED	APPROVED	DRAWING NO.
20	AS4B21DT BK				9805026/
10	AS4B21DT				
GROUP NO.	APPLICABLE MODEL NO.	T.Yamazaki			

980S026

AS4B21DT/DT BK  
LVDS-BLOCK



FOR LCD MODULE



LVDS BLOCK

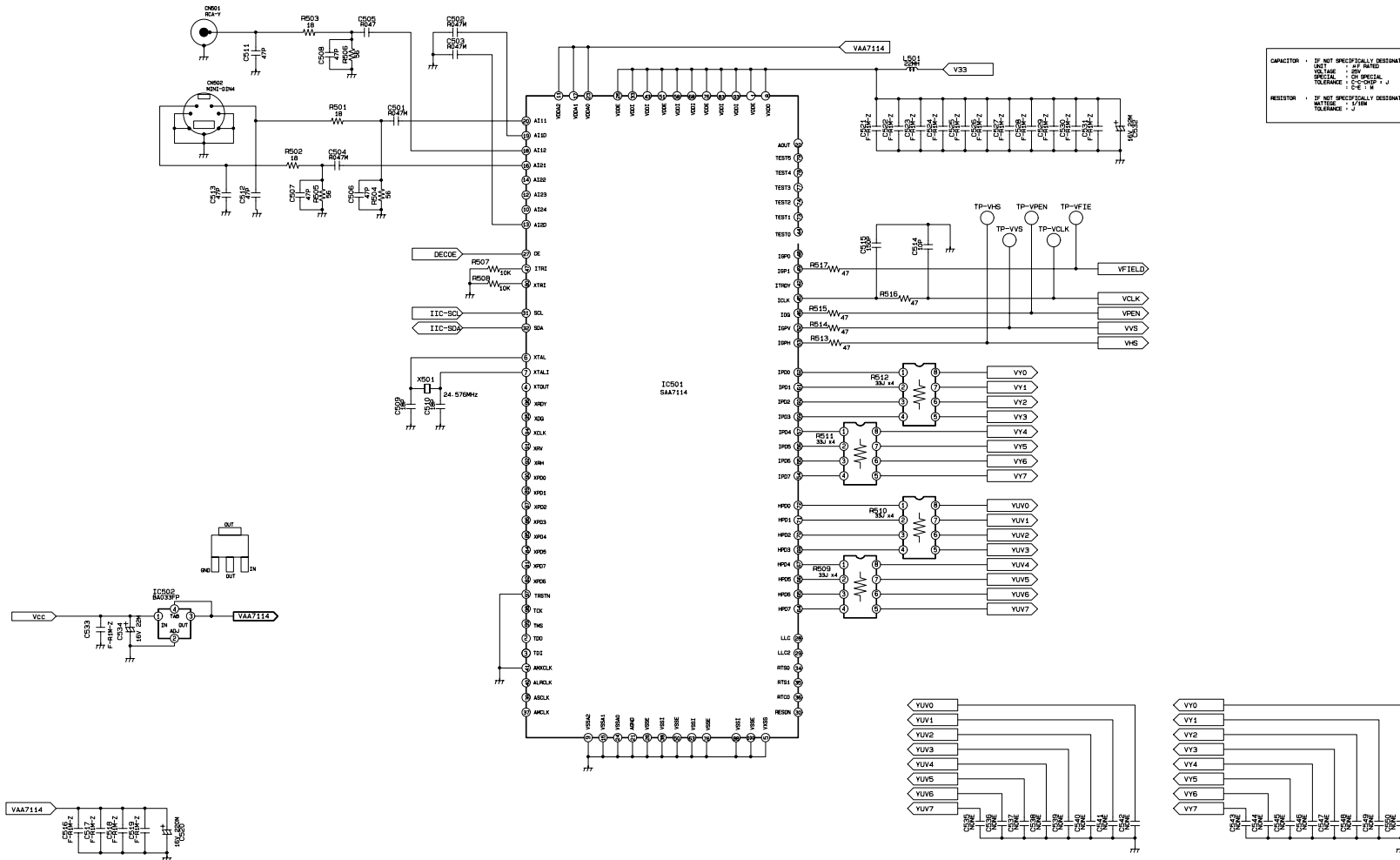
CHANGE

50	IIYAMA CORPORATION				DRAWING TITLE			
40	DATE 2002/05/27				PARTS-LIST REV. 木			
30	AS4B21DT BK				DRAWING NO.			
20	AS4B21DT				DRAWING NO.			
10	APPLICABLE	DESIGNED	CHECKED	APPROVED	9 8 0 S 0 2 6 /			
GROUP NO.	T. Yamazaki				5 /			

980S026

AS4821DT/DT BK  
VIDEO BLOCK

CAPACITOR : IF NOT SPECIFICALLY DESIGNATED ARE:  
VAL. VALUE : J  
TOLERANCE : ± 5%  
RESISTOR : IF NOT SPECIFICALLY DESIGNATED ARE:  
VAL. VALUE : J  
TOLERANCE : ± 5%

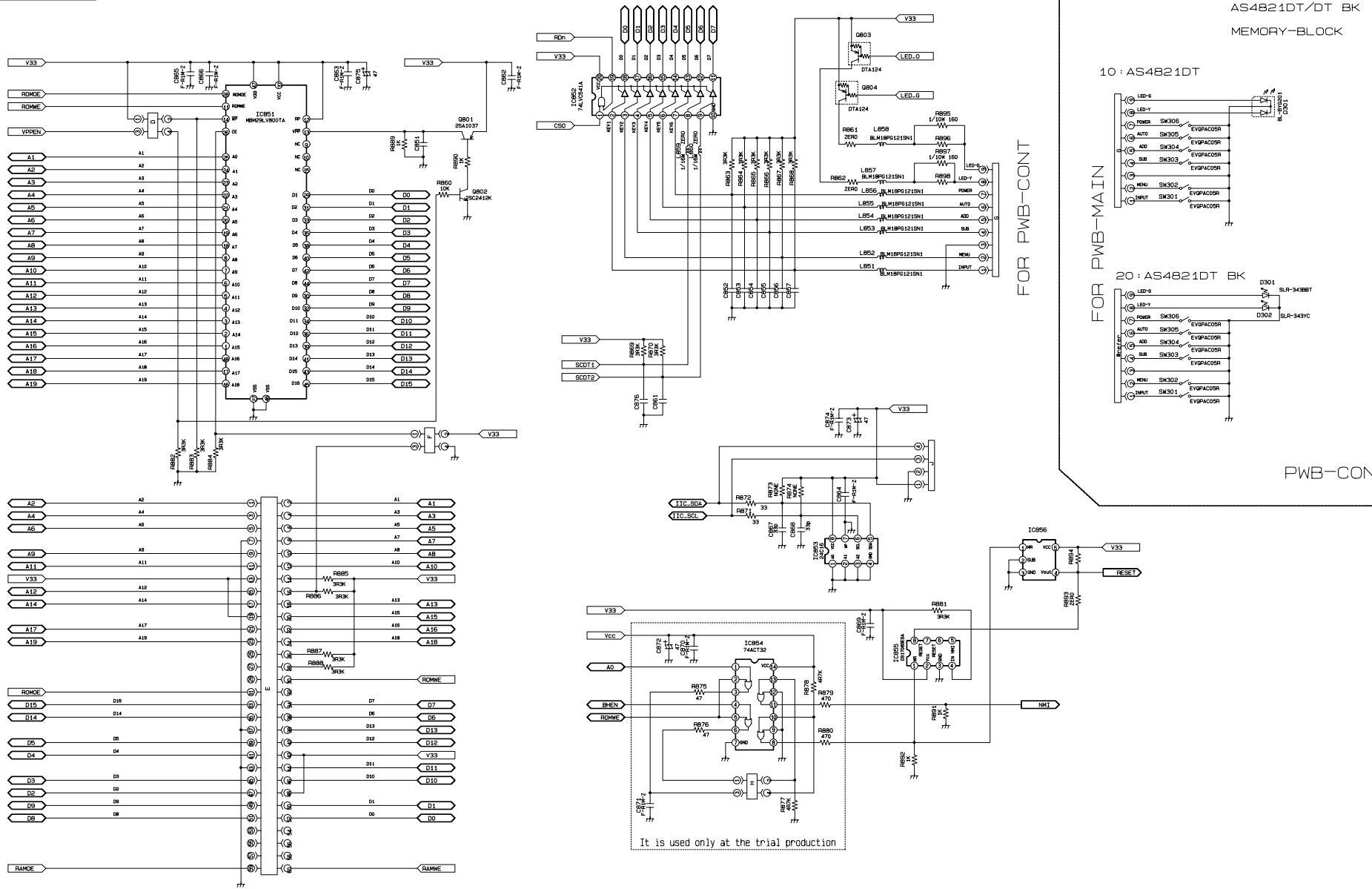


VIDEO BLOCK

CHANGE

50	IIYAMA CORPORATION			DRAWING TITLE	
40	DATE 2002/07/16			PARTS-LIST REV. ホ	
30	DRAWN DESIGNED CHECKED APPROVED			CIRCUIT DIAGRAM	
20	AS4821DT BK			DRAWING NO.	
10	AS4821DT				
GROUP NO.	APPLICABLE MODEL NO.	T. Yamazaki		980S026/6	

980s026



CHANGE

50		IIYAMA CORPORATION				DRAWING TITLE	
40		DATE	2002/07/19	PARTS-LIST REV.	^		CIRCUIT DIAGRAM
30		DRAWN	DESIGNED	CHECKED	APPROVED		DRAWING NO.
20	AS4821DT BK						
10	AS4821DT						
GROUP NO.	APPLICABLE MODEL NO.	T. Yamazaki					980s026/7

MEMORY BLOCK