

**IMPORTANT NOTICE !!!! PRICES QUOTED ARE INCLUSIVE OF VAT AND EX JHB.  
PRICES MAY VARY FROM DEALER TO DEALER. PRICES MAY CHANGE WITHOUT NOTICE.**

### F-2 车架(Chasis)



NO.	PART CODE	description	Quantity	Price Incl
1	DD300E-6C-0201-000	Chasis	1	R 2,448.18
2	GB5789-86	Bolt M8X50	1	R 9.18
3	DD250E-6-0205-001	hanger plate	1	R 48.96
4	GB6170-86	Nut M8	1	R 12.24
5	DD250E-6-0204-000	mounting plate for E parts	1	R 83.85
6	GB5787-86	Bolt M8*16	2	R 6.12
7	GB5787-86	Bolt M8*65	2	R 6.12
8	GB6187-86	Self-locking nut M8	3	R 6.12
9	DD250E-1400-002	Bolt M10x1.25x38	1	R 18.36
10	DD300E-6-1401-000	Side stand w/flameout	1	R 214.22
11	DD250E-1400-003	Side stand spring	1	R 15.91
12	DD300E-6C-1407-010	board for left peg	1	R 61.20
13	GB70.3-2000	Bolt M10*1.5*25	1	R 9.18
14	DD300E-6C-1406-001	board for right pedal	1	R 61.20

**IMPORTANT NOTICE !!!! PRICES QUOTED ARE INCLUSIVE OF VAT AND EX JHB.  
PRICES MAY VARY FROM DEALER TO DEALER. PRICES MAY CHANGE WITHOUT NOTICE.**

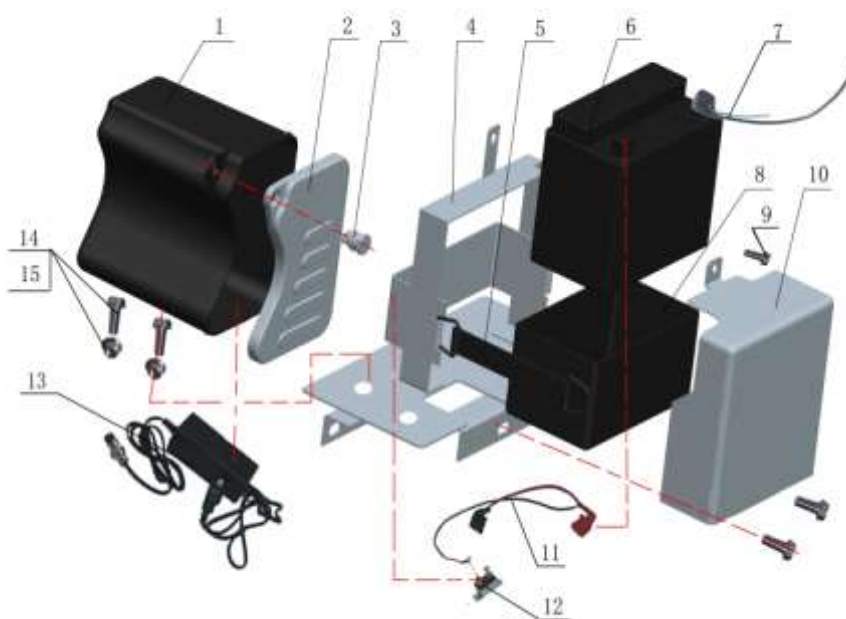
### F-3 灯具及主电缆(Lights and main cable)



NO.	PART CODE	description	Q'ty	Price Incl
1	DD250E-6-0301-003	Headlight bulb 12v35w	1	R 30.60
2	DD250E-6-1501-000	Ignition switch set	1	R 275.42
3	DD250E-6-0305-000	Turn signal R. RR	1	R 41.62
4	DD50E (3B) -0302-010	Nut M10	2	R 9.18
5	DD300E-6C-0305-200	rear R turn light bracket	1	R 146.89
6	DD50E (3B) -0306-000	Tail light cable	1	R 293.78
7	DD250E-0309-003	Tail light bulb	1	R 30.60
8	DD300E-6C-0304-100	rear L turn light bracket	1	R 146.89
9	DD250E-6-0304-000	Turn signal L.RR	1	R 146.89
10	DD90E-0412-000	Horn 12V3A	1	R 45.90
11	DD250E-0400-003	Bolt M8*12	1	R 9.18
12	DD150E-4-0111700	Diode	1	R 12.24
13	DD300E-6-0401-000	main cable	1	R 330.50
14	DD50E (3B) -0304-001	Turn signal bulb 12V10W(E)	4	R 18.36
15	DD300E-6C-0302-000	left front turn light set	1	R 146.89
16	DD250E-0301-004	Cap nut M6	2	R 9.18
17	GB6177-86	Nut M6	2	R 7.34
18	DD300E-6C-0304-001	front turn light mount	1	R 73.45
19	DD300E-6C-0303-000	right front turn light set	1	R 146.89
20	DD300E-6C-0301-000	Headlight	1	R 520.24
21	GB93-87	Spring washer 10	1	R 6.12
22	GB70-85	Bolt M10x30	1	R 9.18
21	GB70-85		1	R 9.18
22	GB93-87		2	R 6.12
23	GB5787-86		1	R 9.18
24	DD250E-6-0301-002		1	R 91.81
25	GB6170-86		1	R 6.12

**IMPORTANT NOTICE !!!! PRICES QUOTED ARE INCLUSIVE OF VAT AND EX JHB.  
PRICES MAY VARY FROM DEALER TO DEALER. PRICES MAY CHANGE WITHOUT NOTICE.**

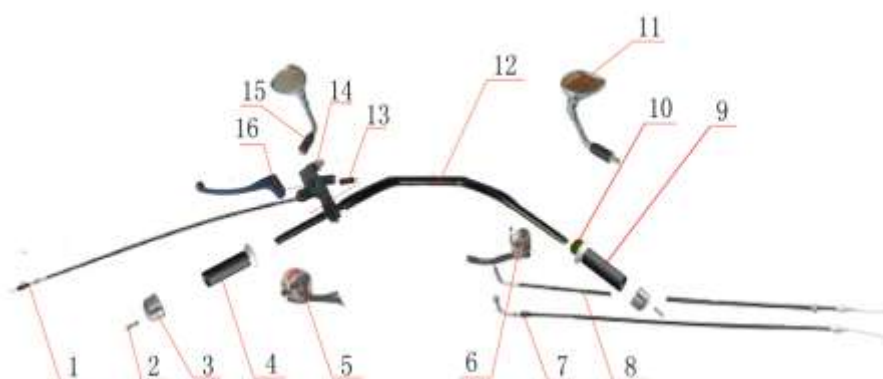
#### F-4 蓄电池及蓄电池支架(Battery and battery bracket)



NO.	PART CODE	description	Quantity	Price Incl
1	DD250E-6-1500-001	tool box body	1	R 48.96
2	DD250E-6-1500-002	tool box cover (matte black)	1	R 48.96
3	DD250E-6-1500-003	tool box lock	1	R 9.18
4	DD250E-6-0203-000	Battery holder	1	R 140.77
5	DD250E-0400-002	Strap.Battery	1	R 18.36
6	DD250E(3)-0403-000	Battery free maintenance	1	R 232.58
7	DD250E-0417-000	Battery cathode anode	1	R 24.48
8	DD250E-0404-001	Battery cover	1	R 18.36
9	GB5787-86	Bolt M8*16	4	R 6.12
10	DD250E-6-0400-100	Battery cover	1	R 385.59
11	DD250E-0416-000	Battery positive anode A	1	R 24.48
12	DD250E-9B-0406-000	short circuit protector	1	R 91.81
13	DD250E-6-0405-000	Charger	1	R 293.78
14	DD250E-0202-003	Bolt M6*12	2	R 6.12
15	DD250E-2100-010	Nut M6	2	R 6.12

**IMPORTANT NOTICE !!!! PRICES QUOTED ARE INCLUSIVE OF VAT AND EX JHB.  
PRICES MAY VARY FROM DEALER TO DEALER. PRICES MAY CHANGE WITHOUT NOTICE.**

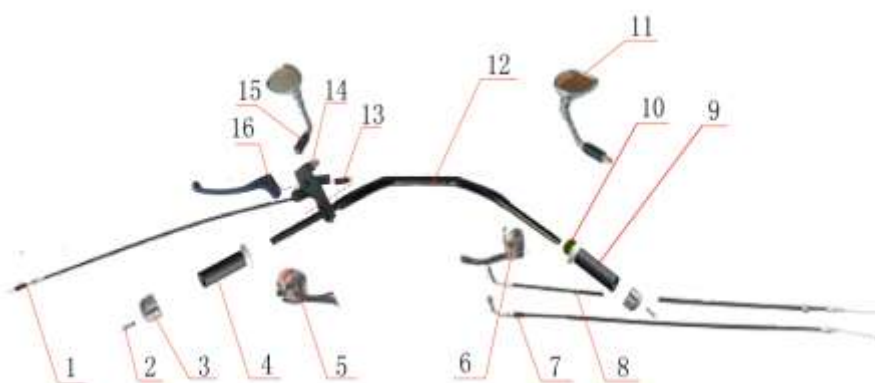
**F-5 左右开关及操纵总成 (handle switch and control cable) (国外版)**



NO.	PART CODE	description	Quantity	Price Incl
1	DD300G-0607-000	clutch control cable	1	R 46.27
2	GB820-85	Bolt M6*20	2	R 6.12
3	DD250E-0600-002	bar balance	2	R 35.50
4	DD250E-0604-000	left grip	1	R 20.81
5	DD300E-6-0602-000E	Left switch assy	1	R 183.61
6	DD300E-6-0603-000E	Right switch assy	1	R 183.61
7	DD300G-0608-000	Return cable	1	R 48.96
8	DD300G-0610-000	Throttle cable	1	R 48.96
9	DD250E-0605-009	right grip	1	R 20.81
10	DD250E-6-0605-010	right grip interior	1	R 9.18
11	DD50E (3B) -0627-000	mirror R.	1	R 128.53
12	DD300E-6C-0601-000	handle bar	1	R 257.06
13	DD250E-0605-003	Connector	1	R 6.12
14	DD250G-0605-008	Clutch lever L (BK)	1	R 44.07
15	DD50E (3B) -0626-000	left mirror	1	R 128.53
16	DD250G-0605-009	Clutch control assy.	1	R 146.89

**IMPORTANT NOTICE !!!! PRICES QUOTED ARE INCLUSIVE OF VAT AND EX JHB.  
PRICES MAY VARY FROM DEALER TO DEALER. PRICES MAY CHANGE WITHOUT NOTICE.**

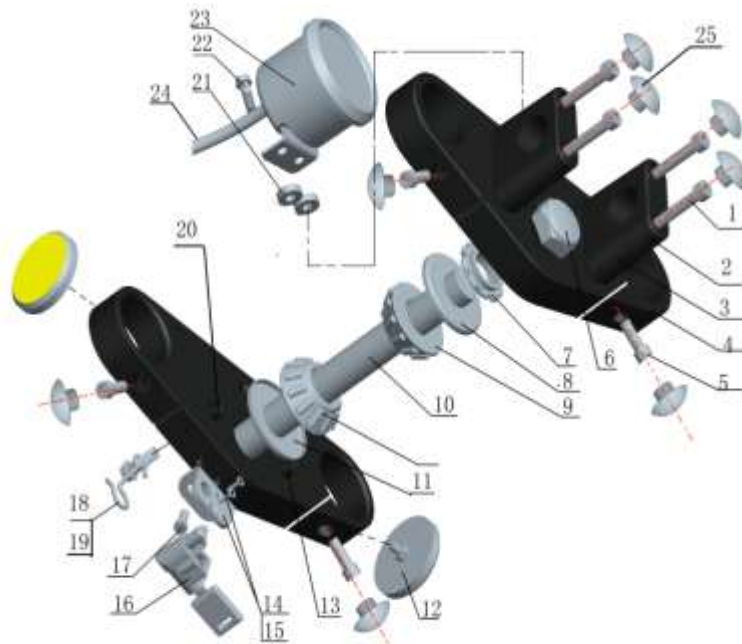
**F-5 左右开关及操纵总成 (handle switch and control cable) (国内版)**



NO.	PART CODE	description	Quantity	Price Incl
1	DD300G-0607-000	clutch control cable	1	R 46.27
2	GB820-85	Bolt M6*20	2	R 6.12
3	DD250E-0600-002	bar balance	2	R 35.50
4	DD250E-0604-000	left grip	1	R 20.81
5	DD300E-6-0602-000E	Left switch assy	1	R 183.61
6	DD300E-6-0603-000E	Right switch assy	1	R 183.61
7	DD300G-0608-000	Return cable	1	R 48.96
8	DD300G-0610-000	Throttle cable	1	R 48.96
9	DD250E-0605-009	right grip	1	R 20.81
10	DD250E-6-0605-010	right grip interior	1	R 9.18
11	DD50E (3B) -0627-000	mirror R.	1	R 128.53
12	DD300E-6C-0601-000	handle bar	1	R 257.06
13	DD250E-0605-003	Connector	1	R 6.12
14	DD250G-0605-008	Clutch lever L (BK)	1	R 44.07
15	DD50E (3B) -0626-000	left mirror	1	R 128.53
16	DD250G-0605-009	Clutch control assy.	1	R 146.89

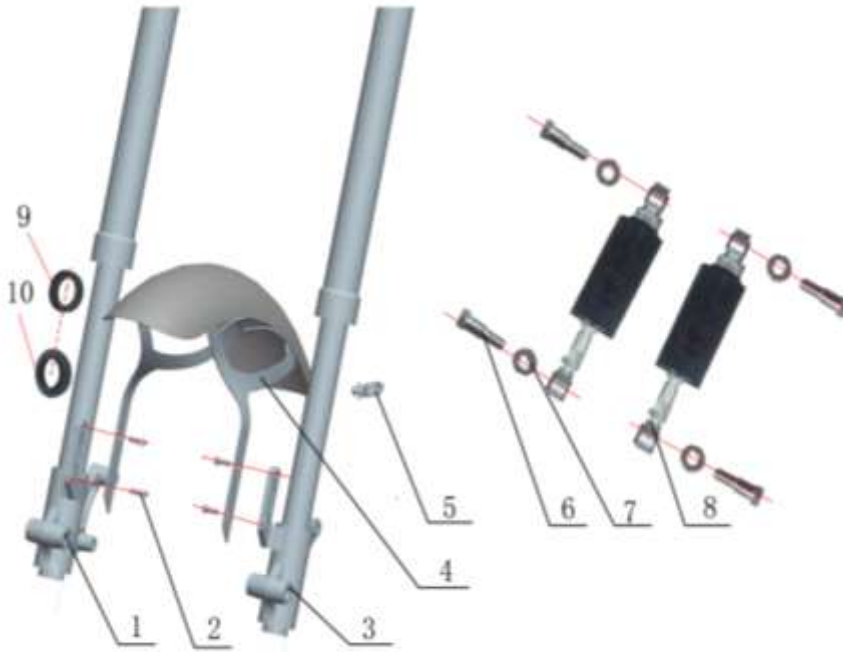
**IMPORTANT NOTICE !!!! PRICES QUOTED ARE INCLUSIVE OF VAT AND EX JHB.  
PRICES MAY VARY FROM DEALER TO DEALER. PRICES MAY CHANGE WITHOUT NOTICE.**

**F-6 转向器及里程表(stem steering and speedodometer)**



NO.	PART CODE	description	Quantity	Price Incl
1	DD300E-6C-0600-005	hex Bolt inter M8x 80	4	R 27.54
2	DD300E-6C-0600-006	riser cap	2	R 125.47
3	DD300E-6C-0600-007	riser	2	R 188.51
4	DD300E-6-0601-001	uppder crown(CP)	1	R 734.45
5	DD300E-6C-0600-004	hex Bolt M8x22	4	R 18.36
6	DD250E-6-0700-001	Bearings nut M25x1x9.5	1	R 33.05
7	DD250E-6-0600-004	Stem nut M25*1*17	1	R 33.05
8	DD250E-6-0700-002	Top cover	1	R 22.03
9	DD250E-6-0700-003	Bearing 7205E	2	R 183.61
10	DD250E-6-0701-002	Steering axle	2	R 128.53
11	DD250E-6-0700-004	Lower cover	1	R 22.03
12	DD50E (3B) -0705-000	Side reflector assy	2	R 44.07
13	GB70-85	Hex inner bolt M8x10	2	R 6.12
14	DD300E-6C-1502-001	Stem lock mount	1	R 97.93
15	GB819-85	bolt M5x12	2	R 12.24
16	DD300E-6C-1500-000	Fuel tank lock set	1	R 183.61
17	GB5783-86	Bolt M6*20	2	R 6.12
18	DD300E-6C-2701-20100	Hook	1	R 146.89
19	GB5789-86	Bolt M8*14	1	R 6.12
20	DD300E-6C-0701-001	bottom tree	1	R 734.45
21	DD300E-6C-0501-001	odometer spacer	2	R 42.84
22	DD90E-0600-007	BlotM6*14	2	R 6.12
23	DD300E-6C-0501-000	odometer (KM)	1	R 324.38
24	DD300G-0502-000	Odometer cable	1	R 46.52
25	DD250E-0600-009	Cap button	8	R 3.06

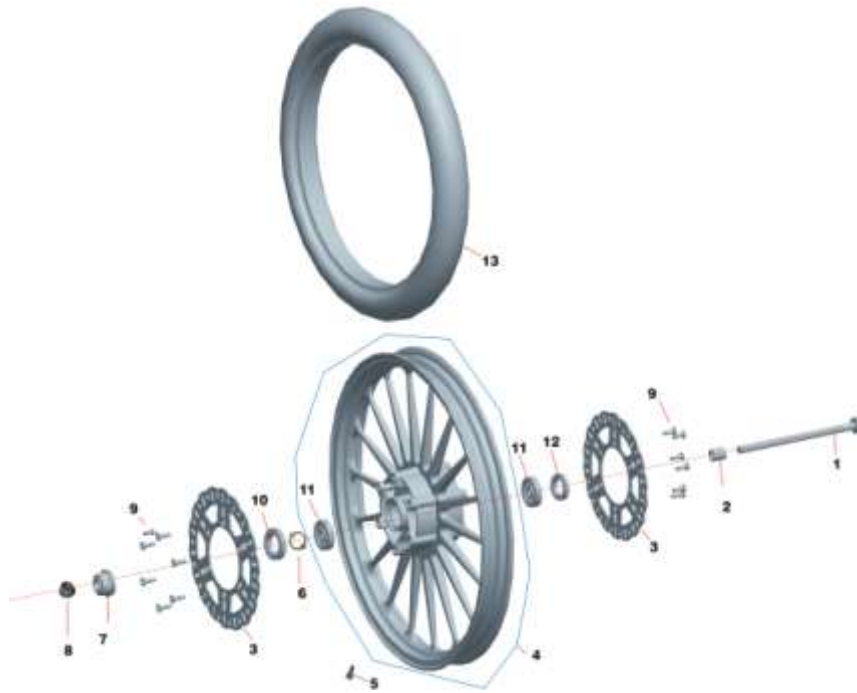
**F-7 (Front suspension and front fender.rear shock absorber)**



NO.	PART CODE	description	Quantity	Price Incl
1	DD300E-6c-0704-000	Right front suspension(golden)	1	R 2,601.19
2	GB5787-86	Bolt M6*16	4	R 6.12
3	DD300E-6c-0703-000	left front suspension(golden)	1	R 2,601.19
4	DD300E-6-2700-000	Front fender (Black)	1	R 397.83
5	DD90E-2700-003	Cable loop	1	R 9.18
6	DD250E-6-2000-002	rear shock bolt	4	R 55.08
7	DD250E-6-2000-003	rear shock washer	4	R 18.36
8	DD250E-6-2000-000	rear shock	2	R 1,481.15
9	DD250E-9B-0703-009	Outside stalk seal	2	R 30.60
10	DD250E-9B-0703-011	Dust proof seal	2	R 18.36

**IMPORTANT NOTICE !!!! PRICES QUOTED ARE INCLUSIVE OF VAT AND EX JHB.  
PRICES MAY VARY FROM DEALER TO DEALER. PRICES MAY CHANGE WITHOUT NOTICE.**

### F-8 前轮(Front wheel)

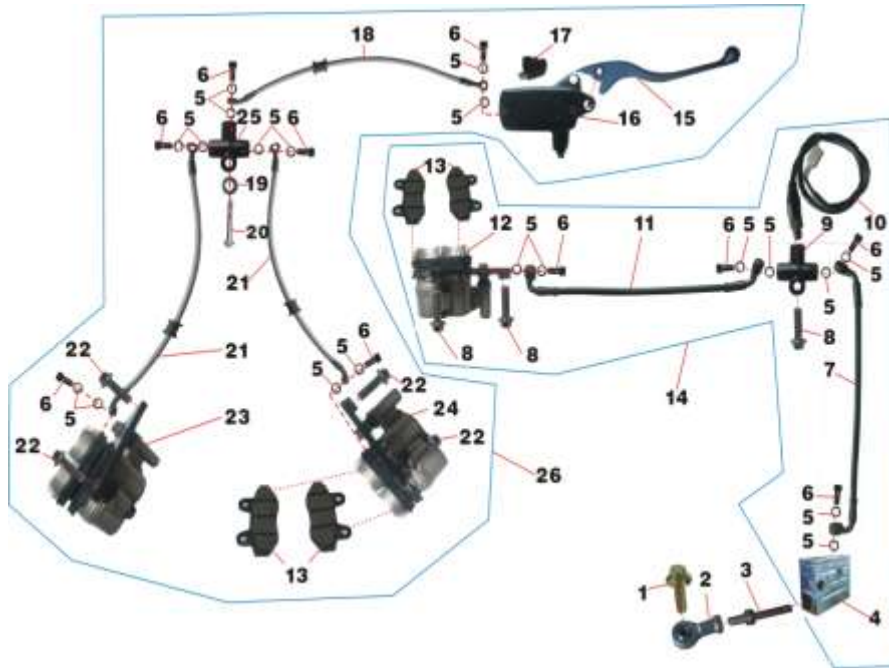


NO.	PART CODE	description	Quantity	Price Incl
1	DD250E-9B-0800-001	Front wheel axle	1	R 64.26
2	DD250E-0800-013	Outer spacer 30mm	1	R 18.36
3	DD300G-0800-002	Front discΦ300	2	R 550.84
4	DD300E-6C-0801-001	front rim(21x2.5)	1	R 1,413.82
5	DD250E-1000-005	Valve nut	1	R 12.24
6	DD250E-0804-001	Steering clip	1	R 9.18
7	DD250E-0806-000	Counter assy	1	R 79.57
8	DD250E-9B-0800-002	Front wheel axle nut	1	R 18.36
9	DD250E-0800-003	Hex inner bolt M8*24	12	R 6.12
10	DD300E-6C-0800-005	seal 40x55*5	1	R 18.36
11	GB278-88	bearing 6303-2RZ/Z1	2	R 36.72
12	DD300E-6C-1000-004	Outer oil seal 30x47x5	1	R 36.72
13	DD300E-6C-0800-012	front tire (90/90-21)	1	R 1,860.61



**IMPORTANT NOTICE !!!! PRICES QUOTED ARE INCLUSIVE OF VAT AND EX JHB.  
PRICES MAY VARY FROM DEALER TO DEALER. PRICES MAY CHANGE WITHOUT NOTICE.**

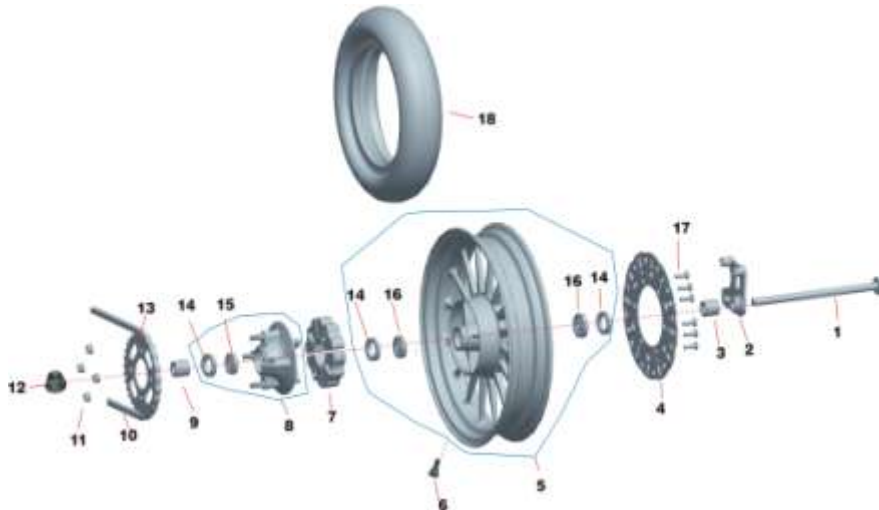
**F-9 前、后制动泵(Front&rear brake pump assy)**



NO.	PART CODE	description	Quantity	Price Incl
1	GB5787-86	Bolt M6*16	1	R 6.12
2	DD250E-6-1001-020	Chain	1	R 52.02
3	DD250E-6-1001-010	Push pole	1	R 48.96
4	DD250E-6-1003-600	Oil pumb. Brake pumb	1	R 367.23
5	DD250E-0802-001	Washer	20	R 6.12
6	DD250E-0802-002	Srew M10*20	10	R 11.02
7	DD250E-6-1003-200	Upper oil pipe	1	R 146.89
8	DD250E-1300-009	Bolt M8x35	3	R 9.18
9	DD250E-6-1003-400	Tree joint.Brake RR	1	R 61.20
10	DD250E-6-1003-300	Switch assy. Rear brake	1	R 91.81
11	DD250E-6-1003-500	Lower oil pipe	1	R 232.58
12	DD250E-6-1003-100	Master cylinder	1	R 428.43
13	DD250E-6-0803-015	Bottom plate	6	R 48.96
14	DD125E-5-1003-000	Rear brake pump assy	1	R 1,101.68
15	DD250G-0802-019	Clutch lever R	1	R 79.57
16	DD250E-6-0802-100	Front brake oil cylinder	1	R 428.43
17	DD250E-0802-017	Brake signal switch	1	R 12.24
18	DD300E-6C-0802-300	upper oil pipe	1	R 61.20
19	GB96-85	Washer 6	1	R 6.12
20	GB5787-86 (0202-003)	Bolt M6x35	1	R 6.12
21	DD250E-6-0802-400	Lower oil pipe.Front brake	2	R 61.20
22	DD90E-1300-003	Bolt M8x32	4	R 6.12
23	DD250E-6-0802-500	Lower pumb. Front brake pumb L	1	R 367.23
24	DD250E-6-0802-700	Lower pumb. Front brake pumb (R)	1	R 367.23
25	DD250E-6-0802-600	Front brake tree joint	1	R 61.20
26	DD350E-2-0802-000	front brake pump assy.	1	R 2,142.15

**IMPORTANT NOTICE !!!! PRICES QUOTED ARE INCLUSIVE OF VAT AND EX JHB.  
PRICES MAY VARY FROM DEALER TO DEALER. PRICES MAY CHANGE WITHOUT NOTICE.**

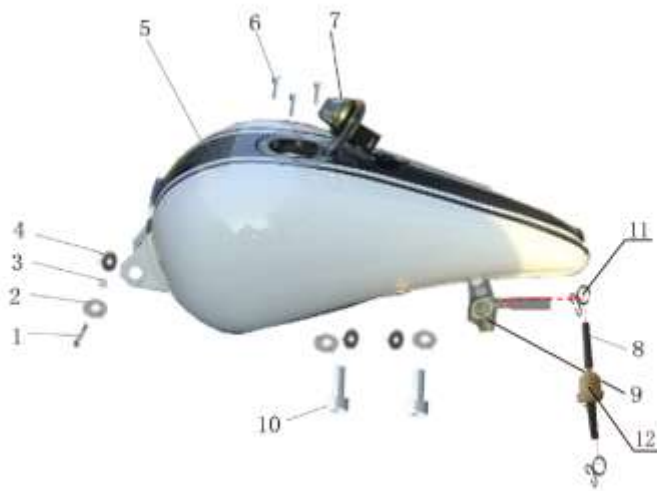
### F-10 后轮(Rear wheel)



NO.	PART CODE	description	Quantity	Price Incl
1	DD300E-6C-1004-000	Rear wheel axle (14*330mm)	1	R 183.61
2	DD300E-6C-1003-001	Mount plate.Rear brake pump	1	R 183.61
3	DD350E-2-1000-014	Alex sleeve R	1	R 30.60
4	DD300G-1000-017	Brake disc.RR 240mm	1	R 354.99
5	DD300E-6C-1001-000	Rear rim 16x3.75 blk/CP	1	R 1,413.82
6	DD250E-1000-005	Valve nut	1	R 12.24
7	DD300E-6C -1000-003	Buffer	4	R 61.20
8	DD300E-6C-1000-006	Cushion buffer set	1	R 195.85
9	DD350E-2-1000-011	Alex sleeve L	1	R 30.60
10	GB/T14212-93	Chain 520UO-1x120L	1	R 1,597.44
11	GB6187-86	Self-locking nut M10*1.25	4	R 9.18
12	DD250E-1007-000	lock nut M14*1.5	1	R 18.36
13	DD350E-2-1006-001	Chain sprocket 34T 520	1	R 134.65
14	DD300E-6C-1000-004	Outer oil seal 30x47x5	3	R 36.72
15	GB276-94	bearing 6005RZ	1	R 489.64
16	GB278-88	bearing 6303-2RZ/Z1	2	R 36.72
17	DD250E-0800-003	Hex inner bolt M8*24	6	R 6.12
18	DD250E-6-1000-016	Rear tire 160/80-16 CST	1	R 2,741.96

**IMPORTANT NOTICE !!!! PRICES QUOTED ARE INCLUSIVE OF VAT AND EX JHB.  
PRICES MAY VARY FROM DEALER TO DEALER. PRICES MAY CHANGE WITHOUT NOTICE.**

**F-12 油箱及燃油开关(Fuel tank and fuel switch)**



NO.	PART CODE	description	Quantity	Price Incl
1	DD250E-1100-006	Bolt M6*25	4	R 6.12
2	DD90E-1100-002	Tank washer	4	R 6.12
3	DD90E-1100-003	space	4	R 6.12
4	DD90E-1100-001	rubber washer	4	R 9.18
5	DD250E-6-1101-000	fuel Tank	1	R 2,448.18
6	GB70-85	Hex Bolt inner M5*20	3	R 12.24
7	DD250E-6-1502-000	Fuel tank cap	1	R 110.17
8	DD250E-1100-003	Oil pipe	1	R 24.48
9	DD90E-1102-000	Oil cock	1	R 52.02
10	DD250E-1300-009	Bolt M8x35	3	R 9.18
11	DD250E-1100-002	Lock ring 8	2	R 6.12
12	DD250E-1103-000	Air filter	1	R 15.30

**IMPORTANT NOTICE !!!! PRICES QUOTED ARE INCLUSIVE OF VAT AND EX JHB.  
PRICES MAY VARY FROM DEALER TO DEALER. PRICES MAY CHANGE WITHOUT NOTICE.**

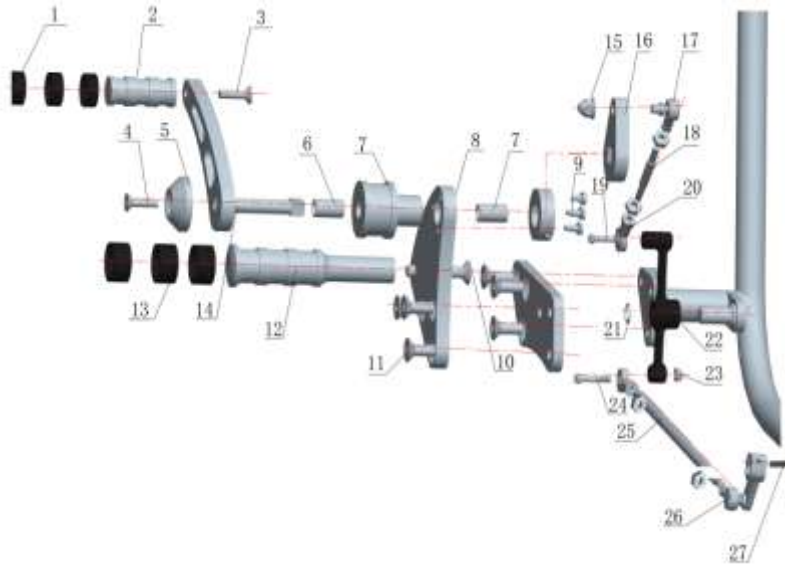
**F-13 座垫及后货架(Seat)**



NO.	PART CODE	description	Quantity	Price Incl
1	DD300E-6-1301-000	dual seat	1	R 642.65
2	GB5789-86	Bolt M10*1.5*16	2	R 6.12
3	DD250E-6-1301-001	Hinge, L.seat	1	R 61.20
4	DD250E-6-1301-002	Hinge, R.seat	1	R 61.20
5	GB6177-86	Nut M6	6	R 3.06
6	DD250E-6-1300-008	dual seat rear mounting bracket	1	R 48.96
7	DD250E-0202-003	Bolt M6*12	1	R 6.12
8	GB6187-86	Self-locking nut M6	1	R 6.12

**IMPORTANT NOTICE !!!! PRICES QUOTED ARE INCLUSIVE OF VAT AND EX JHB.  
PRICES MAY VARY FROM DEALER TO DEALER. PRICES MAY CHANGE WITHOUT NOTICE.**

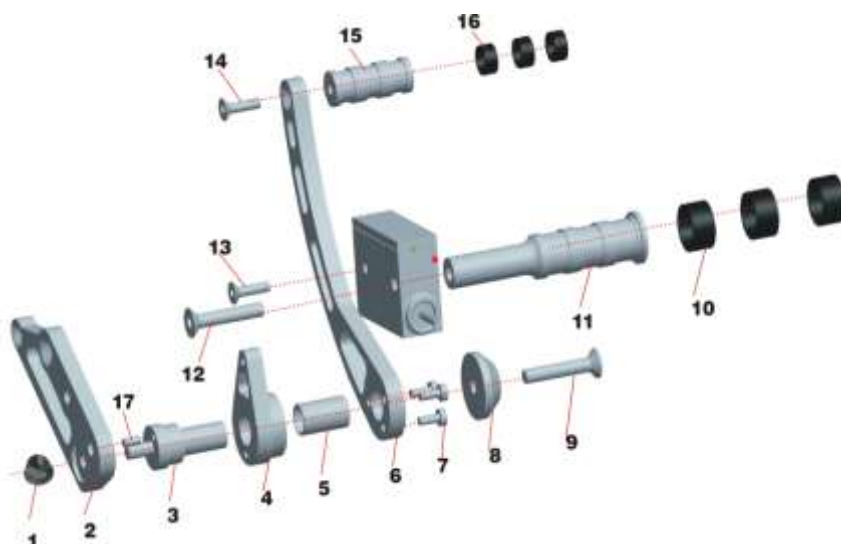
**F-14 变速机构及换档机构(Shift gear system and shifter)**



NO.	PART CODE	description	Quantity	Price Incl
1	DD250E-6-1402-403	Rubber sleeve(IV)	3	R 12.24
2	DD300E-6-1402-401	Peg pole (CP)	1	R 110.17
3	GB70.3-2000	Hex inner bolt M8*25	1	R 9.18
4	GB/T70.1-2000	Hex bolt M6*16	1	R 6.12
5	DD250E-6-1406-001	Connector L	1	R 24.48
6	DD250E-6-1406-102	Alex sleeve (small)	2	R 9.18
7	DD250E-6-1406-101	Mounting bracket. L (CP)	1	R 91.81
8	DD250E-6-1406-004	Mounting plate. L	1	R 122.41
9	GB70-85	hex bolt M6x16	3	R 9.18
10	GB70.3-2000	Hex inner bolt M10*1.5*45	1	R 12.24
11	GB70.3-2000	Bolt M10*1.5*25	6	R 9.18
12	DD300E-6-1402-301	Main peg pole	1	R 220.34
13	DD250E-6-1402-303	Rubber sleeve( II)	3	R 9.18
14	DD250E-6-1406-002	Shift pole (I)	1	R 85.69
15	GB923-88	Nut M10*1.25	1	R 6.12
16	DD300E-6C-1406-006	shifter pole II	1	R 110.17
17	DD300E-6-1406-008	Front joint	1	R 18.36
18	DD300E-6C-1406-002	double end bolt	1	R 18.36
19	DD250E-0605-005	screw M6*25	1	R 6.12
20	DD250E-6-1001-020	Chain	2	R 52.02
21	GB894.1-86	flexible ring	1	R 4.90
22	DD300E-6C-1406-006	shifter pole II	1	R 110.17
23	GB6187-86	Self-locking nut M6	1	R 9.18
24	GB5787-86 (0202-003)	Bolt M6x35	1	R 9.18
25	DD250E-9B-1406-006	two ends bolt 270mm	1	R 85.69
26	DD150E-2-1408-000	Shake lever assy	1	R 73.45
27	GB5783-86	Bolt M6*20	1	R 9.18

**IMPORTANT NOTICE !!!! PRICES QUOTED ARE INCLUSIVE OF VAT AND EX JHB.  
PRICES MAY VARY FROM DEALER TO DEALER. PRICES MAY CHANGE WITHOUT NOTICE.**

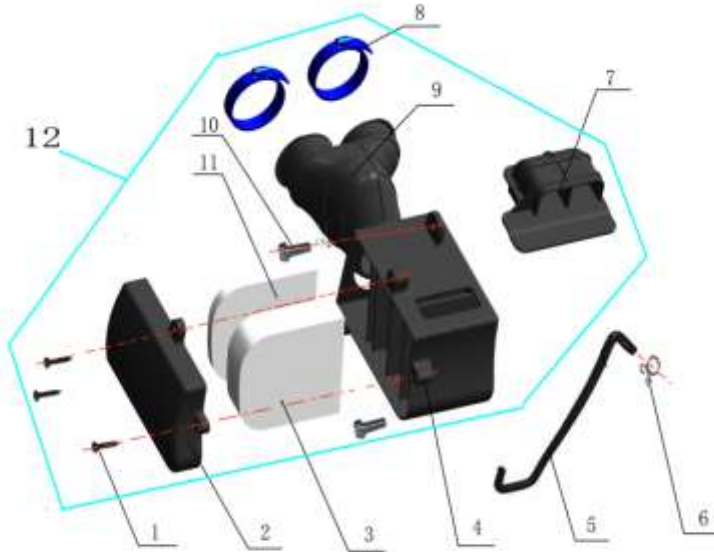
### F-15 后制动机构(Rear brake pole)



NO.	PART CODE	description	Quantity	Price Incl
1	GB6187-86	Self-locking nut M10*1.25	1	R 9.18
2	DD250E-6-1402-001	Mounting bracket. R (CP)	1	R 122.41
3	DD250E-6-1402-000	Control spacer	1	R 82.63
4	DD250E-6-1402-200	Pole bracket. Rear brake	1	R 122.41
5	DD250E-6-1402-202	Spacer (big)	1	R 9.18
6	DD250E-6-1402-002	Rear brake pole	1	R 122.41
7	GB70-85	hex bolt M6x16	3	R 9.18
8	DD250E-6-1402-003	Connector block. R	1	R 41.62
9	GB70.3-2000	Hex inner bolt M10*1.5*35	1	R 9.18
10	DD250E-6-1402-303	Rubber sleeve( II)	3	R 9.18
11	DD300E-6-1402-301	Main peg pole	1	R 220.34
12	GB70.3-2000	Hex inner bolt M10*1.5*80	1	R 18.36
13	GB70.3-2000	Hex inner bolt M8*35	1	R 9.18
14	GB70.3-2000	Hex inner bolt M8*25	1	R 9.18
15	DD300E-6-1402-401	Peg pole (CP)	1	R 110.17
16	DD250E-6-1402-403	Rubber sleeve(IV)	3	R 12.24
17	DD250E-6-1402-203	Pin	1	R 6.12

**IMPORTANT NOTICE !!!! PRICES QUOTED ARE INCLUSIVE OF VAT AND EX JHB.  
PRICES MAY VARY FROM DEALER TO DEALER. PRICES MAY CHANGE WITHOUT NOTICE.**

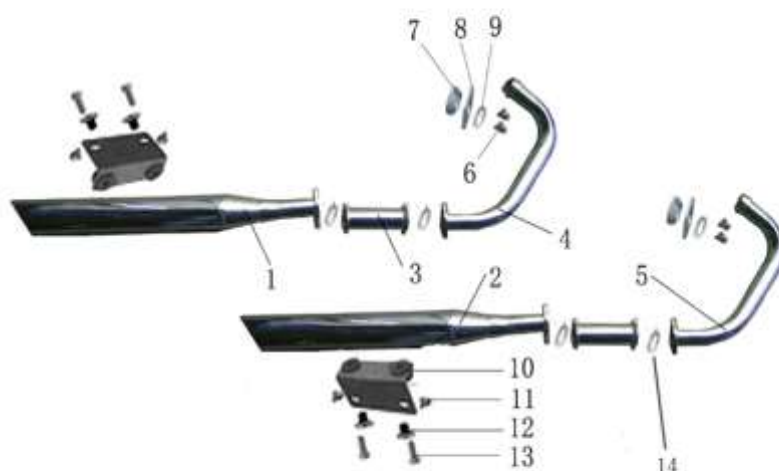
**F-15 空滤器总成(Air filter assy)**



NO.	PART CODE	description	Quantity	Price Incl
1	GB845-85	Self-tapping screwST4.2*24	3	R 9.18
2	DD300E-6-1700-013	Air filter upper shell	1	TBA
3	DD300E-6-1700-011	Air filter core	1	R 183.61
4	DD300E-6-1700-014	Air filter bottom shell	1	R 110.17
5	DD300E-6-1700-005	circuit pipe	1	R 42.84
6	DD250E-1100-002	Lock ring 8	1	R 9.18
7	DD250E-1700-010	The air filter enters the draft	1	TBA
8	DD250E-1700-001	Hoop	2	R 24.48
9	DD250E-1700-002	Air filter outlet pipe	1	R 79.57
10	DD250E-0202-003	Bolt M6*12	2	R 9.18
11	DD300E-6-1700-012	Screen, filter	1	R 61.20
12	DD300E-6-1700-000	FiLter set	1	R 428.43

**IMPORTANT NOTICE !!!! PRICES QUOTED ARE INCLUSIVE OF VAT AND EX JHB.  
PRICES MAY VARY FROM DEALER TO DEALER. PRICES MAY CHANGE WITHOUT NOTICE.**

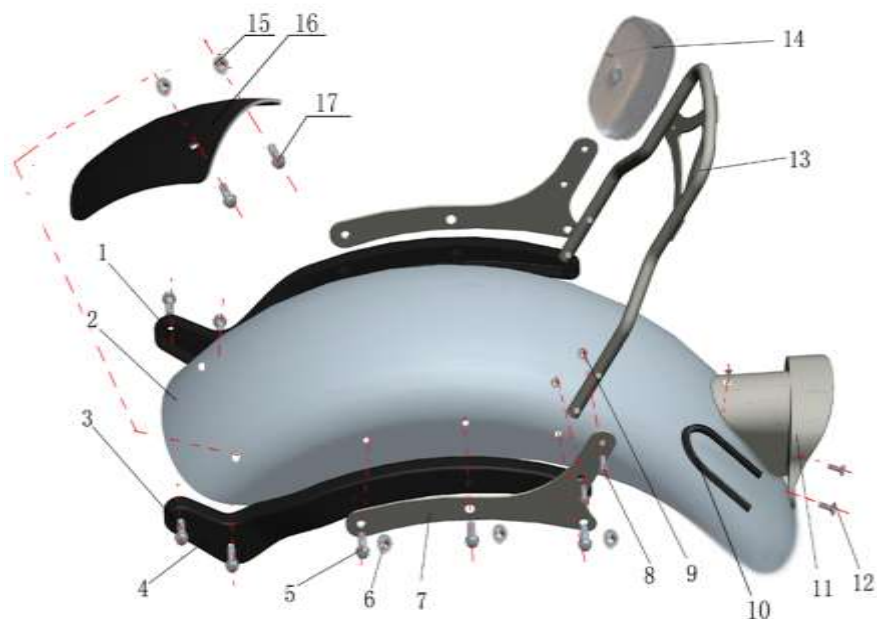
### F-16、排气消声器(Exhaust-gas muffler)



NO.	PART CODE	description	Quantity	Price Incl
1	DD300E-6-1801-002	left rear exhaust	1	R 1,101.68
2	DD300E-6-1802-002	right rear exhaust pipe	1	R 1,101.68
3	DD125E-1803-100	exhaust pipe joint	2	R 61.20
4	DD300E-6-1801-001	exhaust pipe	1	R 489.64
5	DD300E-6-1802-001	exhaust pipe	1	R 489.64
6	DD250E-1800-003	Cap nut M8.Exhaust	4	R 7.34
7	DD250E-1803-000	tube ends	2	R 30.60
8	DD250E-1800-001	Exhaust flange	2	R 48.96
9	DD250E-1800-002	Seal washer. Exhaust	6	R 12.24
10	DD250E-6-1803-000	mounting plate	2	R 36.72
11	DD250E-1800-006	Mat block	4	R 12.24
12	DD250E-1800-005	Sleeve	4	R 18.36
13	DD250E-0700-007	Bolt M8*25	4	R 6.12
14	DD125E-1800-002	seal washer $\phi 43 \times \phi 52$	4	R 9.18



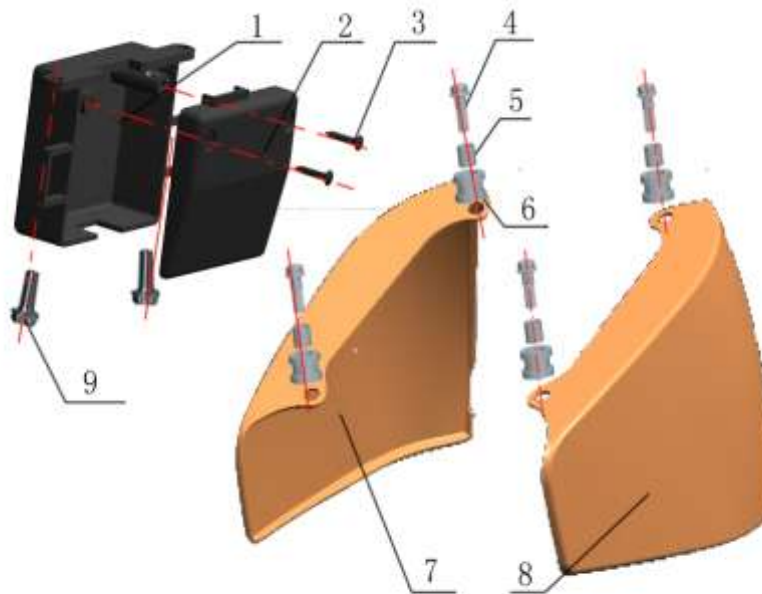
**F-17 后轮罩(Rear fender)**



NO.	PART CODE	description	Quantity	Price Incl
1	DD300E-6C-2100-800	rear fender support bracket	1	R 183.61
2	DD300E-6C-2100-000	Rear fender (black)	1	R 1,652.52
3	GB5789-86	Bolt M10×1.5×25	4	R 6.12
4	DD300E-6C-2100-700	rear fender support bracket	1	R 183.61
5	DD250E-0200-007	Bolt M8*16	6	R 6.12
6	GB6177-86	Flange nut M8	6	R 6.12
7	DD300E-6C-1300-001	sissy side bracket L	1	R 244.82
7	DD300E-6C-1300-002	sissy side bracket R	1	R 244.82
8	GB5789-86	BoltM8×16	4	R 6.12
9	GB923-88	cap nut M8	4	R 6.12
10	DD300E-6C-2200-001	rubber	1	R 6.12
11	DD300E-6C-2100-100	Tail light mount bracket	1	R 489.64
12	GB70.3-2000	hex screw inner M6X25	3	R 6.12
13	DD300E-6-1305-000	Backrest bracket	1	R 183.61
14	DD300E-6-1304-000	Backrest pad	1	R 140.77
15	GB6187-86	Self-lock nut M6	2	R 6.12
16	DD250E-6-0902-001	rear mudguard	1	R 134.65
17	GB5783-86	Bolt M6*20	2	R 6.12

**IMPORTANT NOTICE !!!! PRICES QUOTED ARE INCLUSIVE OF VAT AND EX JHB.  
PRICES MAY VARY FROM DEALER TO DEALER. PRICES MAY CHANGE WITHOUT NOTICE.**

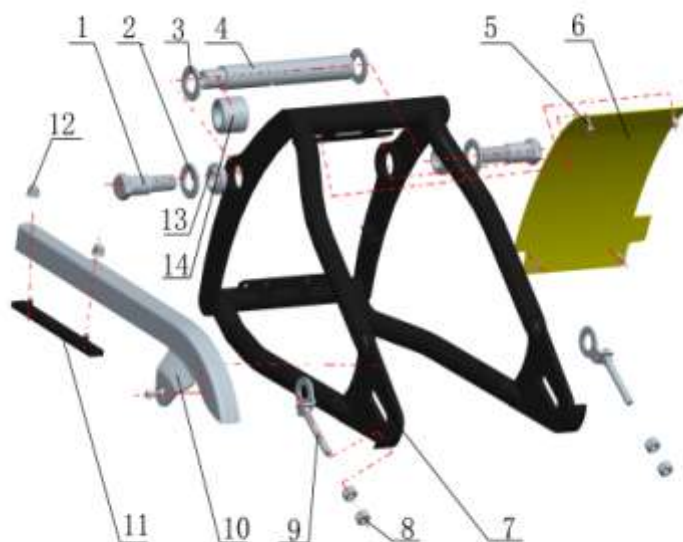
**F-18 接线盒盖与护板(side cover and wire box)**



NO.	PART CODE	description	Quantity	Price Incl
1	DD90E-0600-005	wire box	1	R 24.48
2	DD90E-0600-004	wire box cover	1	R 18.36
3	GB845-85	Self-tapping screwST4.2*24	2	R 6.12
4	GB818-85	Bolt m6*16	4	R 6.12
5	DD250E-0202-004	Rubber ring(l)	4	R 9.18
6	DD250E-6-1602-002	sleeve	4	R 16.53
7	DD250E-6-1601-000	left side cover(blk)	1	R 226.46
8	DD250E-6-1602-000	right side cover	1	R 226.46

**IMPORTANT NOTICE !!!! PRICES QUOTED ARE INCLUSIVE OF VAT AND EX JHB.  
PRICES MAY VARY FROM DEALER TO DEALER. PRICES MAY CHANGE WITHOUT NOTICE.**

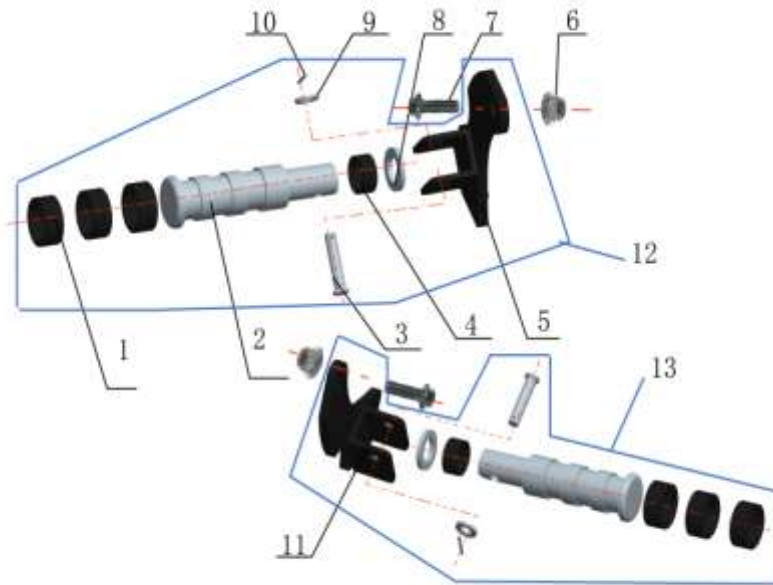
**F-19后摇架及链条罩(rear shake and chain cover)**



NO.	PART CODE	description	Quantity	Price Incl
1	DD250E-6-0900-002	bolt, arm pivot shaft	2	R 48.96
2	DD250E-6-0900-003	chain protect washer	2	R 18.36
3	DD250E-6-0900-005	spacer	2	R 23.26
4	DD250E-6-0900-100	shake shaft	1	R 165.25
5	GB5787-86	Bolt M6*12	4	R 3.06
6	DD250E-6-0902-001	rear mudguard	1	R 134.65
7	DD250E-6-0901-000	rear shaker	1	R 862.98
8	GB6170-86	Nut M8	4	R 12.24
9	DD250E-6-1004-000A	wheel base adjuster	2	R 36.72
10	DD250E-6-0903-000	chain cover	1	R 214.22
11	DD250E-6-0904-000	Chain protect(l)	1	R 24.48
12	DD250E-0900-009	Cap nut M5	2	R 6.12
13	DD250E-6-0900-004	Bearing GE20ES	2	R 79.57
14	DD250E-6-0900-101	chain protect sleeve	1	R 12.24

**IMPORTANT NOTICE !!!! PRICES QUOTED ARE INCLUSIVE OF VAT AND EX JHB.  
PRICES MAY VARY FROM DEALER TO DEALER. PRICES MAY CHANGE WITHOUT NOTICE.**

**F-20 副脚踏组件( side pedal set)**



NO.	PART CODE	description	Q'ty	Price Incl
1	DD250E-6-1402-303	Rubber sleeve( II)	6	R 9.18
2	DD300E-6-1911-003	passenger footpeg	2	R 183.61
3	GB882-96	pin axle 6x35 cp	2	R 18.36
4	DD250E-6-1402-303	Rubber sleeve( II)	6	R 9.18
5	DD300E-6-1913-200	side pedal mount L	1	R 91.81
6	GB6187-86	Self-locing nut M8	2	R 6.12
7	GB5787-86	Bolt M8x28	2	R 6.12
8	DD90E-1902-002	Ring	2	R 69.16
9	GB97.1-85	Washer 8	2	R 6.12
10	GB91-86	Split Pin 2*20	2	R 12.24
11	DD300E-6-1911-100	side pedal mount R	1	R 91.81
12	DD300E-6-1911-103	side foot pedal assy. L	1	R 483.51
13	DD300E-6-1912-103	side foot pedal assy. R	1	R 483.51

**IMPORTANT NOTICE !!!! PRICES QUOTED ARE INCLUSIVE OF VAT AND EX JHB.  
PRICES MAY VARY FROM DEALER TO DEALER. PRICES MAY CHANGE WITHOUT NOTICE.**

**F-20 水壶(water bottle)**



NO.	PART CODE	description	Quantity	Price Incl
1	DD250E-9A-000-003	Radiator cap	1	R 9.18
2	GB818-85	BoltM6*12	1	R 6.12
3	DD250E-9A-0000-002	Radiator hull	1	R 36.72
4	DD150E-2-1804-005	Hoop 17	2	R 24.48
5	DD300E-6-0000-005	radiator filler hose	1	R 18.36
6	DD300E-6-0000-001	Water bottle	1	R 55.08
7	DD300E-6-0000-002	kettle cover	1	R 183.61
8	GB818-85	BoltM6*12	1	R 6.12
9	DD300E-6-0000-005	radiator filler hose	1	R 12.24