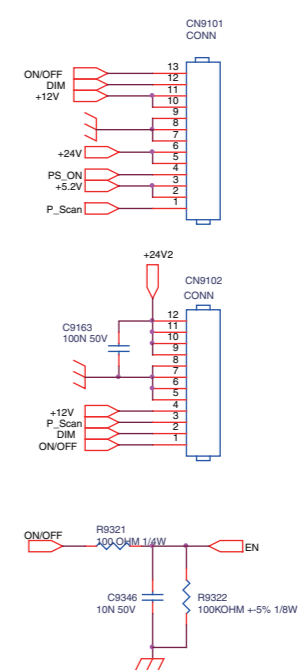
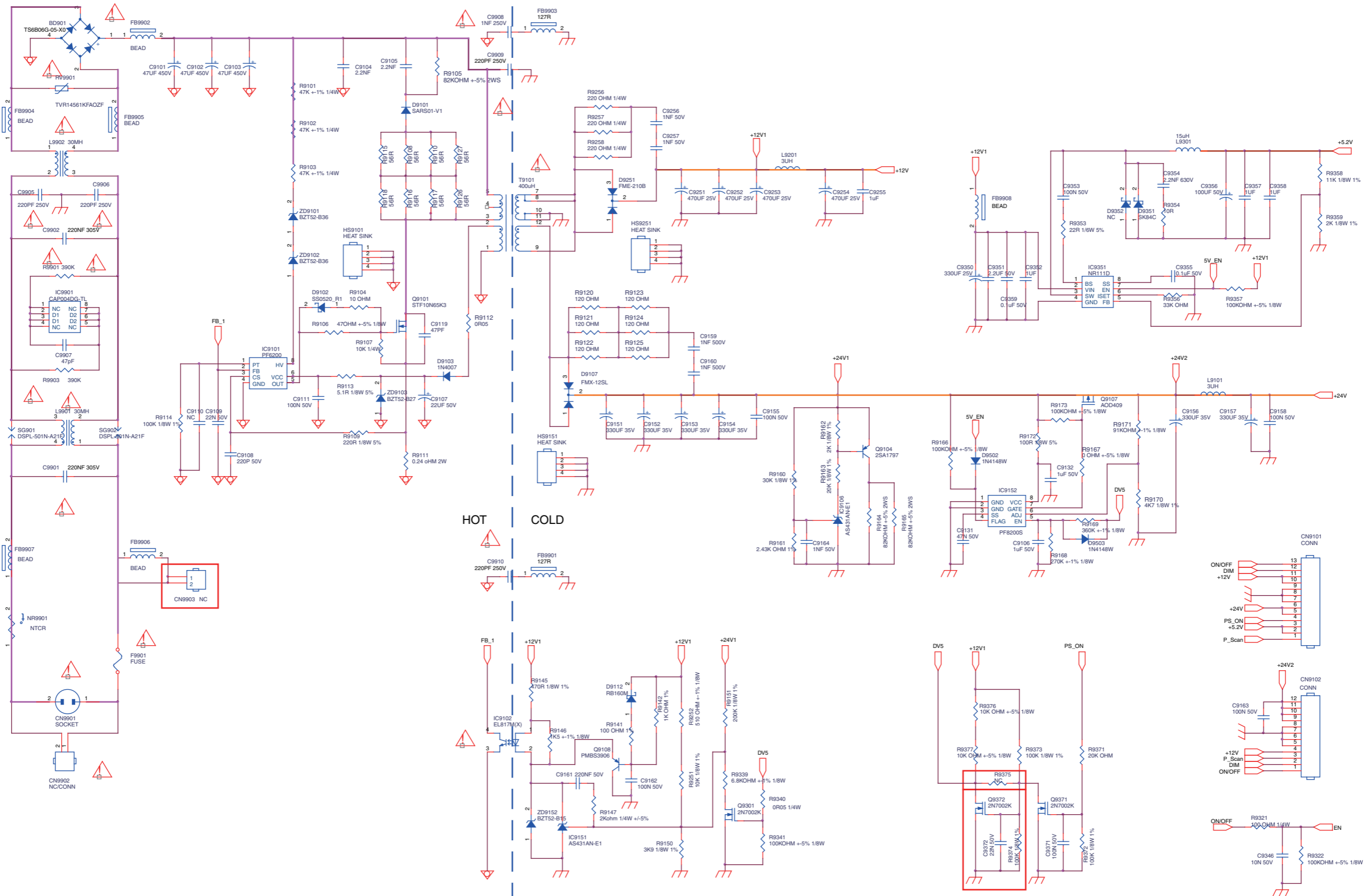


10.5 A 715G5793 PSU
10-5-1 Power

A01

Power

A01

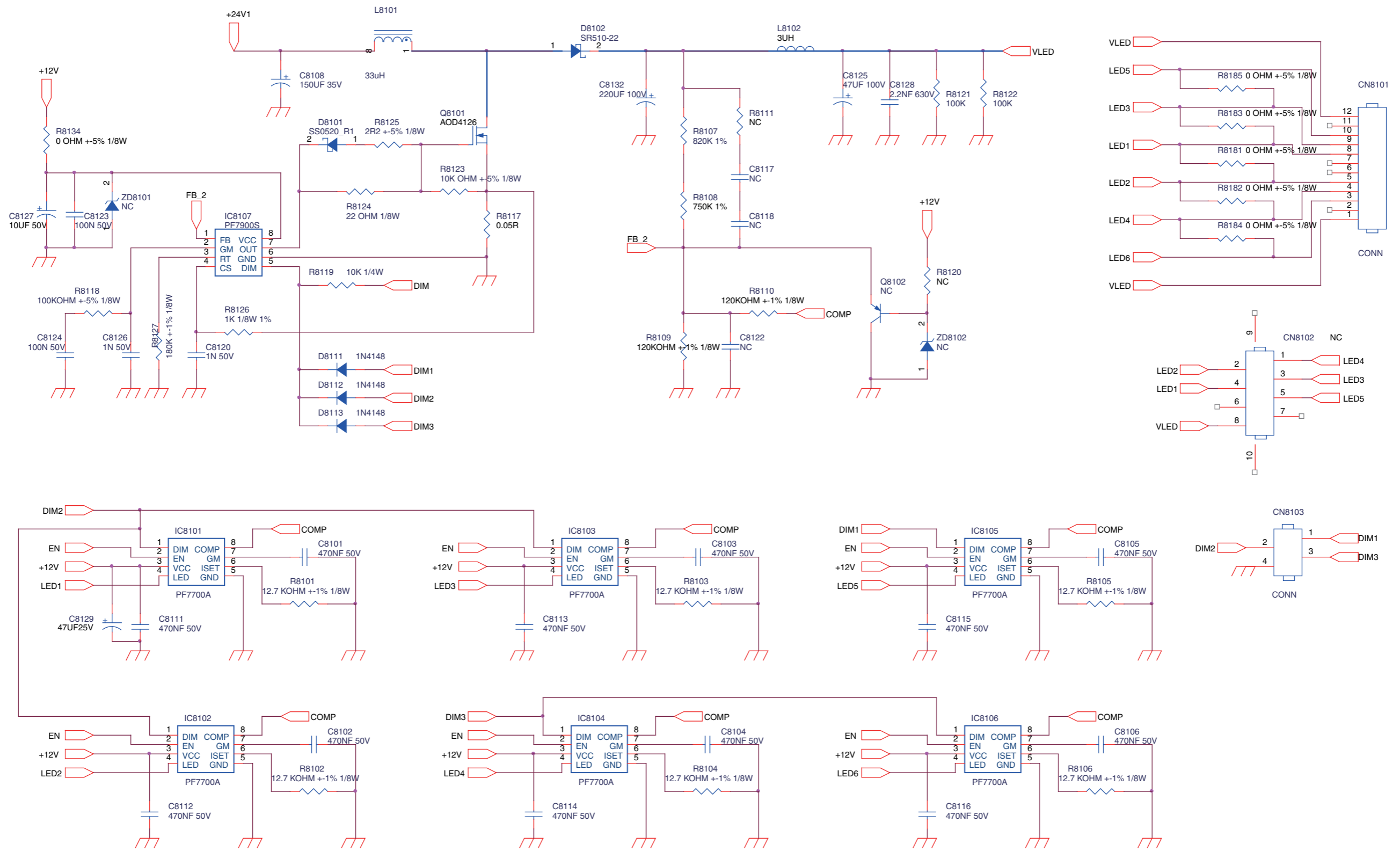


| | | | |
|-------|----------|---|------------|
| Power | 715G5793 | c | 2012-12-07 |
| | | | |
| | | | |

A02

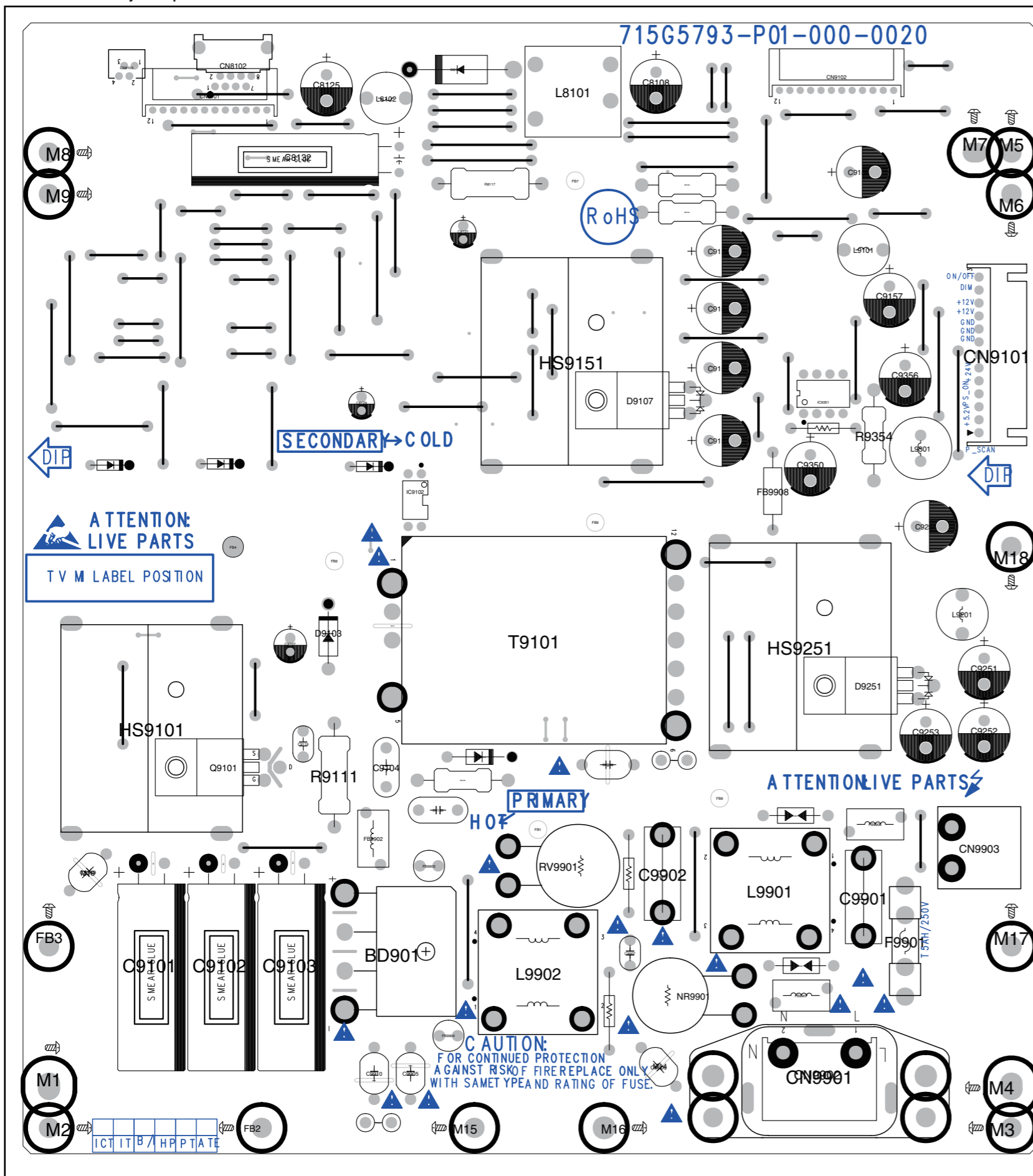
LED Driver

A02



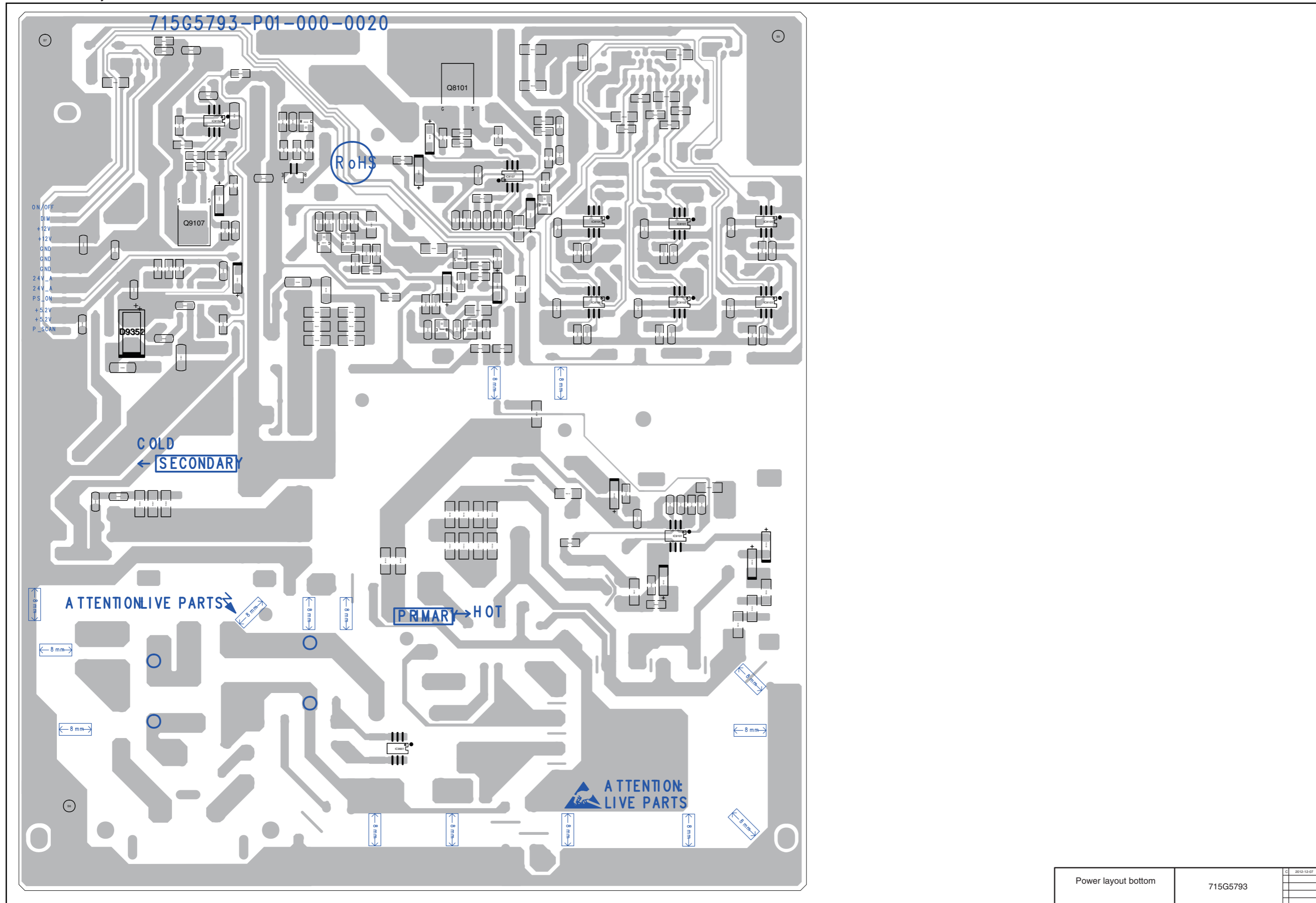
| | | |
|------------|----------|--------------|
| LED Driver | 715G5793 | C 2012-12-07 |
| | | |
| | | |

10-5-3 Power layout top



| | | | |
|------------------|----------|----|--------|
| Power layout top | 715G5793 | 10 | EN 104 |
|------------------|----------|----|--------|

10-5-4 Power layout bottom



| | | | |
|---------------------|----------|---|------------|
| Power layout bottom | 715G5793 | C | 2012-12-07 |
| | | | |
| | | | |