



# CONTENTS

<b>CONTENTS .....</b>	<b>2</b>
<b>PRODUCT SAFETY .....</b>	<b>3</b>
<b>SPECIFICATION .....</b>	<b>6</b>
<b>ADJUSTMENT INSTRUCTION .....</b>	<b>9</b>
<b>BLOCK DIAGRAM.....</b>	<b>15</b>
<b>EXPLODED VIEW .....</b>	<b>16</b>
<b>SVC. SHEET .....</b>	

# SAFETY PRECAUTIONS

## IMPORTANT SAFETY NOTICE

Many electrical and mechanical parts in this chassis have special safety-related characteristics. These parts are identified by  $\triangle$  in the Schematic Diagram and Exploded View.

It is essential that these special safety parts should be replaced with the same components as recommended in this manual to prevent Shock, Fire, or other Hazards.

Do not modify the original design without permission of manufacturer.

### General Guidance

An **isolation Transformer should always be used** during the servicing of a receiver whose chassis is not isolated from the AC power line. Use a transformer of adequate power rating as this protects the technician from accidents resulting in personal injury from electrical shocks.

It will also protect the receiver and its components from being damaged by accidental shorts of the circuitry that may be inadvertently introduced during the service operation.

If any fuse (or Fusible Resistor) in this TV receiver is blown, replace it with the specified.

When replacing a high wattage resistor (Oxide Metal Film Resistor, over 1 W), keep the resistor 10 mm away from PCB.

Keep wires away from high voltage or high temperature parts.

### Before returning the receiver to the customer,

always perform an **AC leakage current check** on the exposed metallic parts of the cabinet, such as antennas, terminals, etc., to be sure the set is safe to operate without damage of electrical shock.

### Leakage Current Cold Check(Antenna Cold Check)

With the instrument AC plug removed from AC source, connect an electrical jumper across the two AC plug prongs. Place the AC switch in the on position, connect one lead of ohm-meter to the AC plug prongs tied together and touch other ohm-meter lead in turn to each exposed metallic parts such as antenna terminals, phone jacks, etc.

If the exposed metallic part has a return path to the chassis, the measured resistance should be between 1 M $\Omega$  and 5.2 M $\Omega$ .

When the exposed metal has no return path to the chassis the reading must be infinite.

An other abnormality exists that must be corrected before the receiver is returned to the customer.

### Leakage Current Hot Check (See below Figure)

Plug the AC cord directly into the AC outlet.

### Do not use a line Isolation Transformer during this check.

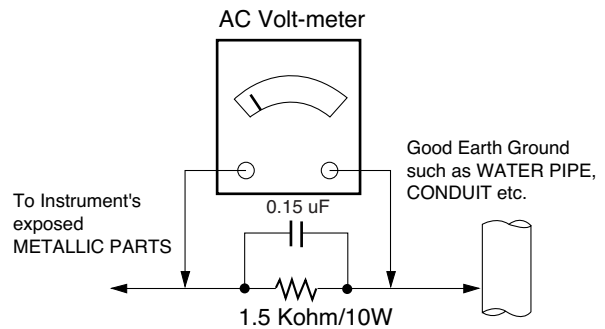
Connect 1.5 K / 10 watt resistor in parallel with a 0.15 uF capacitor between a known good earth ground (Water Pipe, Conduit, etc.) and the exposed metallic parts.

Measure the AC voltage across the resistor using AC voltmeter with 1000 ohms/volt or more sensitivity.

Reverse plug the AC cord into the AC outlet and repeat AC voltage measurements for each exposed metallic part. Any voltage measured must not exceed 0.75 volt RMS which corresponds to 0.5 mA.

In case any measurement is out of the limits specified, there is possibility of shock hazard and the set must be checked and repaired before it is returned to the customer.

### Leakage Current Hot Check circuit



When 25A is impressed between Earth and 2nd Ground for 1 second, Resistance must be less than 0.1  $\Omega$

\*Base on Adjustment standard

# SERVICING PRECAUTIONS

**CAUTION:** Before servicing receivers covered by this service manual and its supplements and addenda, read and follow the SAFETY PRECAUTIONS on page 3 of this publication.

**NOTE:** If unforeseen circumstances create conflict between the following servicing precautions and any of the safety precautions on page 3 of this publication, always follow the safety precautions. Remember: Safety First.

## General Servicing Precautions

1. Always unplug the receiver AC power cord from the AC power source before;
  - a. Removing or reinstalling any component, circuit board module or any other receiver assembly.
  - b. Disconnecting or reconnecting any receiver electrical plug or other electrical connection.
  - c. Connecting a test substitute in parallel with an electrolytic capacitor in the receiver.  
**CAUTION:** A wrong part substitution or incorrect polarity installation of electrolytic capacitors may result in an explosion hazard.

2. Test high voltage only by measuring it with an appropriate high voltage meter or other voltage measuring device (DVM, FETVOM, etc) equipped with a suitable high voltage probe. Do not test high voltage by "drawing an arc".

3. Do not spray chemicals on or near this receiver or any of its assemblies.

4. Unless specified otherwise in this service manual, clean electrical contacts only by applying the following mixture to the contacts with a pipe cleaner, cotton-tipped stick or comparable non-abrasive applicator; 10 % (by volume) Acetone and 90 % (by volume) isopropyl alcohol (90 % - 99 % strength)

**CAUTION:** This is a flammable mixture.

Unless specified otherwise in this service manual, lubrication of contacts is not required.

5. Do not defeat any plug/socket B+ voltage interlocks with which receivers covered by this service manual might be equipped.
6. Do not apply AC power to this instrument and/or any of its electrical assemblies unless all solid-state device heat sinks are correctly installed.

7. Always connect the test receiver ground lead to the receiver chassis ground before connecting the test receiver positive lead.

Always remove the test receiver ground lead last.

8. Use with this receiver only the test fixtures specified in this service manual.

**CAUTION:** Do not connect the test fixture ground strap to any heat sink in this receiver.

## Electrostatically Sensitive (ES) Devices

Some semiconductor (solid-state) devices can be damaged easily by static electricity. Such components commonly are called Electrostatically Sensitive (ES) Devices. Examples of typical ES devices are integrated circuits and some field-effect transistors and semiconductor "chip" components. The following techniques should be used to help reduce the incidence of component damage caused by static by static electricity.

1. Immediately before handling any semiconductor component or semiconductor-equipped assembly, drain off any electrostatic charge on your body by touching a known earth ground. Alternatively, obtain and wear a commercially available discharging wrist strap device, which should be removed to prevent potential shock reasons prior to applying power to the unit under test.

2. After removing an electrical assembly equipped with ES devices, place the assembly on a conductive surface such as aluminum foil, to prevent electrostatic charge buildup or exposure of the assembly.

3. Use only a grounded-tip soldering iron to solder or unsolder ES devices.

4. Use only an anti-static type solder removal device. Some solder removal devices not classified as "anti-static" can generate electrical charges sufficient to damage ES devices.

5. Do not use freon-propelled chemicals. These can generate electrical charges sufficient to damage ES devices.

6. Do not remove a replacement ES device from its protective package until immediately before you are ready to install it. (Most replacement ES devices are packaged with leads electrically shorted together by conductive foam, aluminum foil or comparable conductive material).

7. Immediately before removing the protective material from the leads of a replacement ES device, touch the protective material to the chassis or circuit assembly into which the device will be installed.

**CAUTION:** Be sure no power is applied to the chassis or circuit, and observe all other safety precautions.

8. Minimize bodily motions when handling unpackaged replacement ES devices. (Otherwise harmless motion such as the brushing together of your clothes fabric or the lifting of your foot from a carpeted floor can generate static electricity sufficient to damage an ES device.)

## General Soldering Guidelines

1. Use a grounded-tip, low-wattage soldering iron and appropriate tip size and shape that will maintain tip temperature within the range or 500 °F to 600 °F.

2. Use an appropriate gauge of RMA resin-core solder composed of 60 parts tin/40 parts lead.

3. Keep the soldering iron tip clean and well tinned.

4. Thoroughly clean the surfaces to be soldered. Use a mall wire-bristle (0.5 inch, or 1.25 cm) brush with a metal handle. Do not use freon-propelled spray-on cleaners.

5. Use the following unsoldering technique

- a. Allow the soldering iron tip to reach normal temperature. (500 °F to 600 °F)

- b. Heat the component lead until the solder melts.

- c. Quickly draw the melted solder with an anti-static, suction-type solder removal device or with solder braid.

**CAUTION:** Work quickly to avoid overheating the circuit board printed foil.

6. Use the following soldering technique.

- a. Allow the soldering iron tip to reach a normal temperature (500 °F to 600 °F)

- b. First, hold the soldering iron tip and solder the strand against the component lead until the solder melts.

- c. Quickly move the soldering iron tip to the junction of the component lead and the printed circuit foil, and hold it there only until the solder flows onto and around both the component lead and the foil.

**CAUTION:** Work quickly to avoid overheating the circuit board printed foil.

- d. Closely inspect the solder area and remove any excess or splashed solder with a small wire-bristle brush.

### IC Remove/Replacement

Some chassis circuit boards have slotted holes (oblong) through which the IC leads are inserted and then bent flat against the circuit foil. When holes are the slotted type, the following technique should be used to remove and replace the IC. When working with boards using the familiar round hole, use the standard technique as outlined in paragraphs 5 and 6 above.

#### Removal

1. Desolder and straighten each IC lead in one operation by gently prying up on the lead with the soldering iron tip as the solder melts.
2. Draw away the melted solder with an anti-static suction-type solder removal device (or with solder braid) before removing the IC.

#### Replacement

1. Carefully insert the replacement IC in the circuit board.
2. Carefully bend each IC lead against the circuit foil pad and solder it.
3. Clean the soldered areas with a small wire-bristle brush. (It is not necessary to reapply acrylic coating to the areas).

### "Small-Signal" Discrete Transistor

#### Removal/Replacement

1. Remove the defective transistor by clipping its leads as close as possible to the component body.
2. Bend into a "U" shape the end of each of three leads remaining on the circuit board.
3. Bend into a "U" shape the replacement transistor leads.
4. Connect the replacement transistor leads to the corresponding leads extending from the circuit board and crimp the "U" with long nose pliers to insure metal to metal contact then solder each connection.

### Power Output, Transistor Device

#### Removal/Replacement

1. Heat and remove all solder from around the transistor leads.
2. Remove the heat sink mounting screw (if so equipped).
3. Carefully remove the transistor from the heat sink of the circuit board.
4. Insert new transistor in the circuit board.
5. Solder each transistor lead, and clip off excess lead.
6. Replace heat sink.

### Diode Removal/Replacement

1. Remove defective diode by clipping its leads as close as possible to diode body.
2. Bend the two remaining leads perpendicular y to the circuit board.
3. Observing diode polarity, wrap each lead of the new diode around the corresponding lead on the circuit board.
4. Securely crimp each connection and solder it.
5. Inspect (on the circuit board copper side) the solder joints of the two "original" leads. If they are not shiny, reheat them and if necessary, apply additional solder.

### Fuse and Conventional Resistor

#### Removal/Replacement

1. Clip each fuse or resistor lead at top of the circuit board hollow stake.
2. Securely crimp the leads of replacement component around notch at stake top.
3. Solder the connections.  
**CAUTION:** Maintain original spacing between the replaced component and adjacent components and the circuit board to prevent excessive component temperatures.

### Circuit Board Foil Repair

Excessive heat applied to the copper foil of any printed circuit board will weaken the adhesive that bonds the foil to the circuit board causing the foil to separate from or "lift-off" the board. The following guidelines and procedures should be followed whenever this condition is encountered.

#### At IC Connections

To repair a defective copper pattern at IC connections use the following procedure to install a jumper wire on the copper pattern side of the circuit board. (Use this technique only on IC connections).

1. Carefully remove the damaged copper pattern with a sharp knife. (Remove only as much copper as absolutely necessary).
2. Carefully scratch away the solder resist and acrylic coating (if used) from the end of the remaining copper pattern.
3. Bend a small "U" in one end of a small gauge jumper wire and carefully crimp it around the IC pin. Solder the IC connection.
4. Route the jumper wire along the path of the out-away copper pattern and let it overlap the previously scraped end of the good copper pattern. Solder the overlapped area and clip off any excess jumper wire.

#### At Other Connections

Use the following technique to repair the defective copper pattern at connections other than IC Pins. This technique involves the installation of a jumper wire on the component side of the circuit board.

1. Remove the defective copper pattern with a sharp knife. Remove at least 1/4 inch of copper, to ensure that a hazardous condition will not exist if the jumper wire opens.
2. Trace along the copper pattern from both sides of the pattern break and locate the nearest component that is directly connected to the affected copper pattern.
3. Connect insulated 20-gauge jumper wire from the lead of the nearest component on one side of the pattern break to the lead of the nearest component on the other side. Carefully crimp and solder the connections.  
**CAUTION:** Be sure the insulated jumper wire is dressed so the it does not touch components or sharp edges.

# SPECIFICATION

NOTE : Specifications and others are subject to change without notice for improvement.

## 1. Application range

This specification is applied to the LCD TV used LB01B chassis.

## 2. Requirement for Test

Each part is tested as below without special appointment.

- 1) Temperature : 25 °C ± 5 °C (77 °F ± 9 °F), CST : 40 °C ± 5 °C
- 2) Relative Humidity : 65 % ± 10 %
- 3) Power Voltage : Standard input voltage (AC 100-240 V~ 50 / 60 Hz)  
\* Standard Voltage of each products is marked by models.
- 4) Specification and performance of each parts are followed each drawing and specification by part number in accordance with BOM.
- 5) The receiver must be operated for about 5 minutes prior to the adjustment.

## 3. Test method

- 1) Performance: LGE TV test method followed
- 2) Demanded other specification
  - Safety: CE, IEC specification
  - EMC:CE, IEC

## 5. Module optical specifications

### (1) LGD Module

No.	Item	Specification	Min.	Typ.	Max.	Remark	
1.	Viewing Angle (CR > 10)	Right/Left/Up/Down	178			Degree	
2.	Luminance	Luminance (cd/m <sup>2</sup> )	400	500			
		Variation		-	1.3	MAX / MIN	
3.	Contrast Ratio	CR	1100	1500			
4.	CIE Color Coordinates	White	Typ. -0.03	Wx	0.279	Typ. +0.03	
				Wy	0.292		
		RED		Rx	0.636		
				Ry	0.335		
		Green		Gx	0.291		
				Gy	0.603		
		Blue		Bx	0.146		
				By	0.061		

- 1) Standard Test Condition (The unit has been 'ON')
- 2) Stable for approximately 30 minutes in a dark environment at 25 °C ± 2 °C.
- 3) The values specified are at approximate distance 50 cm from the LCD surface.
- 4) Ta = 25 °C ± 2 °C, VLCD = 12.0 V, fv = 60 Hz, Dclk = 74.25 MHz, VBR\_A = 1.65 V, EXTV<sub>BR-B</sub> = 100 %

## 6. Component Video Input (Y, Cb/Pb, Cr/Pr)

No.	Specification				Remark
	Resolution	H-freq(kHz)	V-freq(Hz)		
1.	720x480	15.73	60.00	SDTV,DVD 480i	
2.	720x480	15.63	59.94	SDTV,DVD 480i	
3.	720x480	31.47	59.94	480p	
4.	720x480	31.50	60.00	480p	
5.	720x576	15.625	50.00	SDTV,DVD 625 Line	
6.	720x576	31.25	50.00	HDTV 576p	
7.	1280x720	45.00	50.00	HDTV 720p	
8.	1280x720	44.96	59.94	HDTV 720p	
9.	1280x720	45.00	60.00	HDTV 720p	
10.	1920x1080	31.25	50.00	HDTV 1080i	
11.	1920x1080	33.75	60.00	HDTV 1080i	
12.	1920x1080	33.72	59.94	HDTV 1080i	
13.	1920x1080	56.250	50	HDTV 1080p	
14.	1920x1080	67.5	60	HDTV 1080p	

## 7. RGB (PC)

No.	Specification				Proposed	Remark
	Resolution	H-freq(kHz)	V-freq(Hz)	Pixel Clock(MHz)		
1.	720*400	31.468	70.08	28.321		For only DOS mode
2.	640*480	31.469	59.94	25.17	VESA	Input 848*480 60 Hz, 852*480 60 Hz -> 640*480 60 Hz Display
3.	800*600	37.879	60.31	40.00	VESA	
4.	1024*768	48.363	60.00	65.00	VESA(XGA)	
5.	1280*768	47.78	59.87	79.5	WXGA	
6.	1360*768	47.72	59.8	84.75	WXGA	
7.	1280*1024	63.981	60.02	108.875	SXGA	FHD Model
8.	1920*1080	66.587	59.93	138.625	WUXGA	FHD model

## 8. HDMI Input

### (1) DTV Mode

No.	Resolution	H-freq(kHz)	V-freq.(Hz)	Pixel clock(MHz)	Proposed	Remark
1.	720*480	31.469 /31.5	59.94 /60	27.00/27.03	SDTV 480P	
2.	720*576	31.25	50	54	SDTV 576P	
3.	1280*720	37.500	50	74.25	HDTV 720P	
4.	1280*720	44.96 /45	59.94 /60	74.17/74.25	HDTV 720P	
5.	1920*1080	33.72 /33.75	59.94 /60	74.17/74.25	HDTV 1080I	
6.	1920*1080	28.125	50.00	74.25	HDTV 1080I	
7.	1920*1080	26.97 /27	23.97 /24	74.17/74.25	HDTV 1080P	
8.	1920*1080	33.716 /33.75	29.976 /30.00	74.25	HDTV 1080P	
9.	1920*1080	56.250	50	148.5	HDTV 1080P	
10.	1920*1080	67.43 /67.5	59.94 /60	148.35/148.50	HDTV 1080P	

### (2) PC Mode

No.	Resolution	H-freq(kHz)	V-freq.(Hz)	Pixel clock(MHz)	Proposed	Remark
1.	720*400	31.468	70.08	28.321		HDCP
2.	640*480	31.469	59.94	25.17	VESA	HDCP
3.	800*600	37.879	60.31	40.00	VESA	HDCP
4.	1024*768	48.363	60.00	65.00	VESA(XGA)	HDCP
5.	1280*768	47.78	59.87	79.5	WXGA	HDCP
6.	1360*768	47.72	59.8	84.75	WXGA	HDCP
7.	1280*1024	63.981	60.02	108.875	SXGA	HDCP/FHD model
8.	1920*1080	67.5	60.00	138.625	WUXGA	HDCP/FHD model



# ADJUSTMENT INSTRUCTION

## 1. Application Range

This specification sheet is applied to all of the LCD TV with LB01B chassis.

## 2. Designation

- 1) The adjustment is according to the order which is designated and which must be followed, according to the plan which can be changed only on agreeing.
- 2) Power Adjustment: Free Voltage
- 3) Magnetic Field Condition: Nil.
- 4) Input signal Unit: Product Specification Standard
- 5) Reserve after operation: Above 5 Minutes (Heat Run)  
Temperature : at 25 °C ± 5 °C  
Relative humidity : 65 % ± 10 %  
Input voltage : 220 V, 60 Hz
- 6) Adjustment equipments: Color Analyzer(CA-210 or CA-110), DDC Adjustment Jig equipment, Service remote control.
- 7) Push the "IN STOP" key - For memory initialization.

### Case1 : Software version up

1. After downloading S/W by USB, TV set will reboot automatically
2. Push "In-stop" key
3. Push "Power on" key
4. Function inspection
5. After function inspection, Push "In-stop" key.

### Case2 : Function check at the assembly line

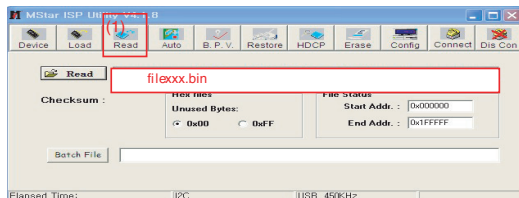
1. When TV set is entering on the assembly line, Push "In-stop" key at first.
2. Push "Power on" key for turning it on.  
-> If you push "Power on" key, TV set will recover channel information by itself.
3. After function inspection, Push "In-stop" key.

## 3. Main PCB check process

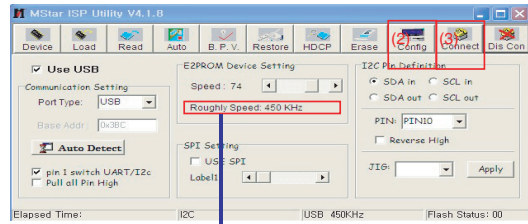
\* APC - After Manual-Insult, executing APC

### \* Boot file Download

- 1) Execute ISP program "Mstar ISP Utility" and then click "Config" tab.

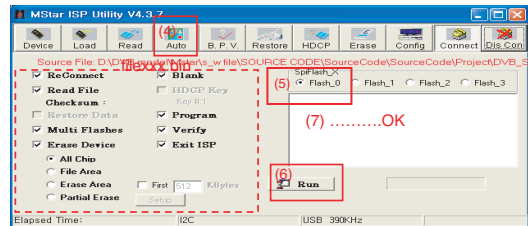


- 2) Set as below, and then click "Auto Detect" and check "OK" message  
If "Error" is displayed, Check connection between computer, jig, and set.
- 3) Click "Read" tab, and then load download file (XXXX.bin) by clicking "Read"
- 4) Click "Connect" tab. If "Can't" is displayed, check connection between computer, jig, and set.



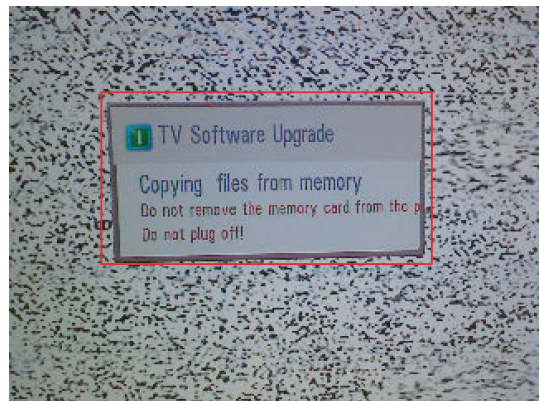
Please Check the Speed :  
To use speed between  
from 200KHz to 400KHz

- 5) Click "Auto" tab and set as below
- 6) Click "Run".
- 7) After downloading, check "OK" message.

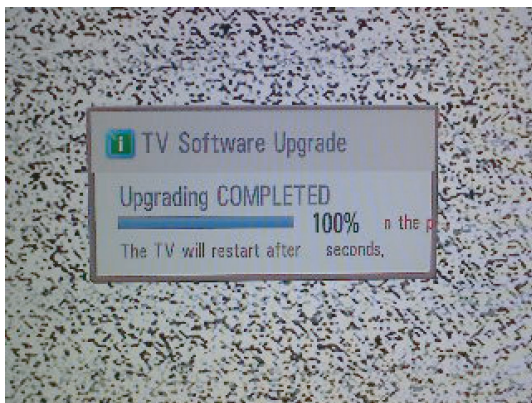
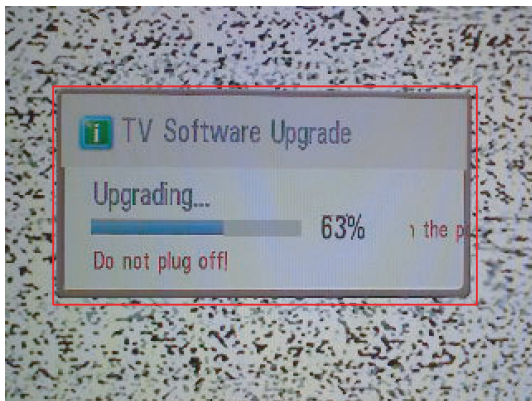


### \* USB DOWNLOAD

- 1) Put the USB Stick to the USB socket
- 2) Automatically detecting update file in USB Stick  
- If your downloaded program version in USB Stick is Low, it didn't work. But your downloaded version is High, USB data is automatically detecting
- 3) Show the message "Copying files from memory"



4) Updating is starting.



- 5) Uploading completed, The TV will restart automatically.  
 6) If your TV is turned on, check your updated version and Tool option.(explain the Tool option, next stage)  
 \* If downloading version is more high than your TV have, TV can lost all channel data. In this case, you have to channel recover. if all channel data is cleared, you didn't have a DTV/ATV test on production line.

**\* After downloading, have to adjust Tool Option again.**

- 1) Push "IN-START" key in service remote control.
- 2) Select "Tool Option 1" and Push "OK" button.
- 3) Punch in the number. (Each model has their number)

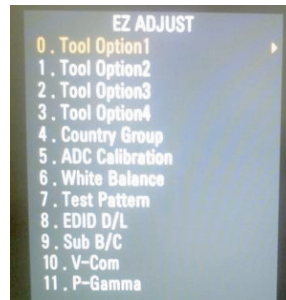
Module	Tool option1	Tool option2	Tool option3	Tool option4	Tool option5
LGD	25313	10770	52228	26892	32
CMO	25317	10770	52228	26892	32

4) Completed selecting Tool option.

### 3.1. ADC Process

(1) ADC

- Enter Service Mode by pushing "ADJ" key,
- Enter Internal ADC mode by pushing "▶" key at "5. ADC Calibration"



<Caution> Using 'power on' button of the Adjustment R/C, power on TV.

\* ADC Calibration Protocol (RS232)

No	Item	CMD1	CMD2	Data0	
Enter Adjust Mode	Adjust 'Mode In'	A	A	0 0	When transfer the 'Mode In', Carry the command.
ADC adjust	ADC Adjust	A	D	1 0	Automatically adjustment (The use of a internal pattern)

Adjust Sequence

- aa 00 00 [Enter Adjust Mode]
- xb 00 40 [Component1 Input (480i)]
- ad 00 10 [Adjust 480i Comp1]
- xb 00 60 [RGB Input (1024\*768)]
- ad 00 10 [Adjust 1024\*768 RGB]
- aa 00 90 End Adjust mode
- \* Required equipment : Adjustment R/C.

### 3.2. Function Check

- \* Check display and sound
- Check Input and Signal items. (cf. work instructions)
  - 1) TV
  - 2) AV (SCART1/SCART2/ CVBS)
  - 3) COMPONENT (480i)
  - 4) RGB (PC : 1024 x 768 @ 60 Hz)
  - 5) HDMI
  - 6) PC Audio In
- \* Display and Sound check is executed by Remote control.

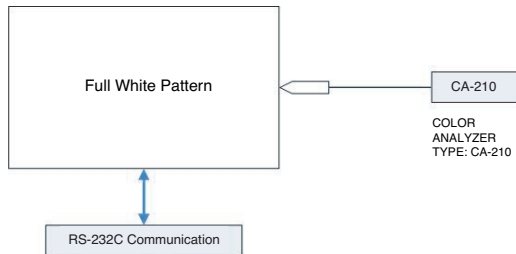
## 4. Total Assembly line process

### 4.1. Adjustment Preparation

- W/B Equipment condition  
CA210 : CH 9, Test signal : Inner pattern (85IRE)
- Above 5 minutes H/run in the inner pattern. ("power on" key of adjust remote control)

Cool	13,000	K	X=0.269(±0.002)	<Test Signal> Inner pattern (216gray,85IRE)
			Y=0.273(±0.002)	
Medium	9,300	K	X=0.285(±0.002)	
			Y=0.293(±0.002)	
Warm	6,500	K	X=0.313(±0.002)	
			Y=0.329(±0.002)	

- Connecting picture of the measuring instrument (On Automatic control)  
Inside PATTERN is used when W/B is controlled. Connect to auto controller or push Adjustment R/C POWER ON -> Enter the mode of White-Balance, the pattern will come out.



- Auto-control interface and directions
  - Adjust in the place where the influx of light like floodlight around is blocked. (illumination is less than 10 lux).
  - Adhere closely the Color Analyzer (CA210) to the module less than 10 cm distance, keep it with the surface of the Module and Color Analyzer's prove vertically.(80° ~ 100°).
  - Aging time
    - After aging start, keep the power on (no suspension of power supply) and heat-run over 5 minutes.
    - Using 'no signal' or 'full white pattern' or the others, check the back light on.

- Auto adjustment Map(RS-232C)

RS-232C COMMAND

[CMD ID DATA]

Wb 00 00 White Balance Start

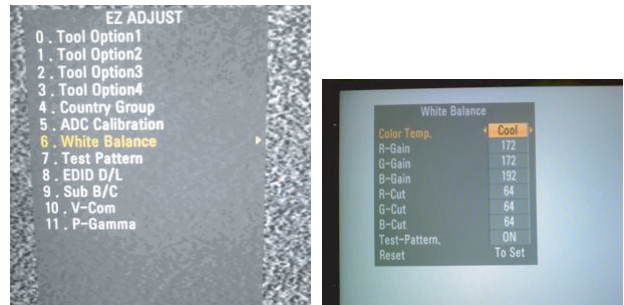
Wb 00 ff White Balance End

	RS-232C COMMAND			MIN	CENTER (DEFAULT)			MAX
	[CMD ID DATA]				Cool	Mid	Warm	
R Gain	yg	Ja	jd	00	172	192	192	192
G Gain	jh	Jb	je	00	172	192	192	192
B Gain	ji	Jc	jf	00	192	192	172	192
R Cut					64	64	64	128
G Cut					64	64	64	128
B Cut					64	64	64	128

<Caution>

Color Temperature : COOL, Medium, Warm.  
One of R Gain/G Gain/ B Gain should be kept on 0xC0, and adjust other two lower than C0.  
(when R/G/B Gain are all C0, it is the FULL Dynamic Range of Module)

- Manual W/B process using adjusts Remote control.
  - After enter Service Mode by pushing "ADJ" key,
  - Enter White Balance by pushing "▶" key at "6. White Balance".



- After done all adjustments, Press "In-start" button and compare Tool option and Area option value with its BOM, if it is correctly same then unplug the AC cable. If it is not same, then correct it same with BOM and unplug AC cable. For correct it to the model's module from factory Jig model.
- Push the "IN STOP" key after completing the function inspection. And Mechanical Power Switch must be set "ON".

### 4.2. DDC EDID Write (RGB 128Byte)

- Connect D-sub Signal Cable to D-sub Jack.
- Write EDID Data to EEPROM(24C02) by using DDC2B protocol.
- Check whether written EDID data is correct or not.
- For SVC main Assembly, EDID have to be downloaded to Insert Process in advance.

### 4.3. DDC EDID Write (HDMI 256Byte)

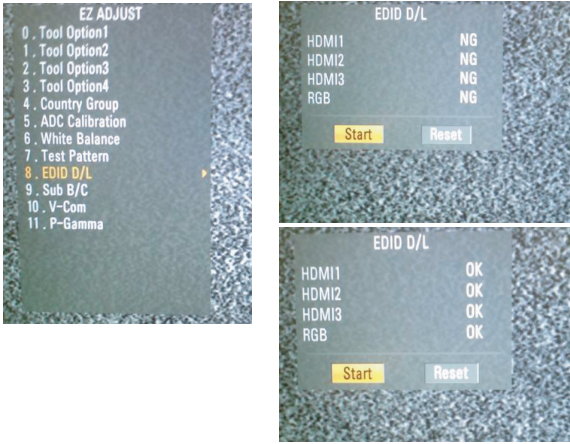
- Connect HDMI Signal Cable to HDMI Jack.
- Write EDID Data to EEPROM(24C02) by using DDC2B protocol.
- Check whether written EDID data is correct or not.
- For SVC main Assembly, EDID have to be downloaded to Insert Process in advance.

### 4.4. EDID DATA

- All Data : HEXA Value
- Changeable Data :
  - \*: Serial No : Controlled / Data:01
  - \*\* : Month : Controlled / Data:00
  - \*\*\*:Year : Controlled
  - \*\*\*\*:Check sum

### 4.5. Auto Download

- 1) Press Adj. key on the Adj. Remote control.
- 2) Select EDID D/L menu.
- 3) By pressing Enter key, EDID download will begin
- 4) If Download is successful, OK is display, but If Download if failure, NG is displayed.
- 5) If Download is failure, Re-try downloads.




\* Edid data and Model option download (RS232)

NO	Item	CMD1	CMD2	Data0	
Enter download Mode	Download 'Mode In'	A	A	0 0	When transfer the 'Mode In', Carry the command.
EDID data and Model option download	Download	A	E	00 10	Automatically Download (The use of a internal pattern)

### - Manual Download

\* Caution

- 1) Use the proper signal cable for EDID Download
  - Analog EDID : Pin3 exists
  - Digital EDID : Pin3 exists
- 2) Never connect HDMI & D-sub Cable at the same time.
- 3) Use the proper cables below for EDID Writing
- 4) Download HDMI1, HDMI2, separately because HDMI1 is different from HDMI2

For Analog EDID	For HDMI EDID	
D-sub to D-sub	DVI-D to HDMI or HDMI to HDMI	
		

Item	Condition	Data(Hex)
Manufacturer ID	GSM	1E6D
Version	Digital : 1	01
Revision	Digital : 3	03

### 1) FHD RGB EDID data

	0	1	2	3	4	5	6	7	8	9	A	B	C	D	E	F	
00	00	FF	FF	FF	FF	FF	FF	00	1E	6D	a			b			
10	c	01	03	68	10	09	78	0A	EE	91	A3	54	4C	99	26		
20	0F	50	54	A1	08	00	81	80	61	40	45	40	31	40	01	01	
30	01	01	01	01	01	01	02	3A	80	18	71	38	2D	40	58	2C	
40	45	00	A0	5A	00	00	00	1E	01	1D	00	72	51	D0	1E	20	
50	6E	28	55	00	A0	5A	00	00	00	1E	00	00	00	FD	00	3A	
60	3E	1E	53	10	00	0A	20	20	20	20	20	20	d			00	e
70	d															00	e
80	FF	FF	FF	FF	FF	FF	FF	FF	FF	FF	FF	FF	FF	FF	FF	FF	
90	FF	FF	FF	FF	FF	FF	FF	FF	FF	FF	FF	FF	FF	FF	FF	FF	
A0	FF	FF	FF	FF	FF	FF	FF	FF	FF	FF	FF	FF	FF	FF	FF	FF	
B0	FF	FF	FF	FF	FF	FF	FF	FF	FF	FF	FF	FF	FF	FF	FF	FF	
C0	FF	FF	FF	FF	FF	FF	FF	FF	FF	FF	FF	FF	FF	FF	FF	FF	
D0	FF	FF	FF	FF	FF	FF	FF	FF	FF	FF	FF	FF	FF	FF	FF	FF	
E0	FF	FF	FF	FF	FF	FF	FF	FF	FF	FF	FF	FF	FF	FF	FF	FF	
F0	FF	FF	FF	FF	FF	FF	FF	FF	FF	FF	FF	FF	FF	FF	FF	FF	

### 2) FHD HDMI EDID data

	0	1	2	3	4	5	6	7	8	9	A	B	C	D	E	F	
00	00	FF	FF	FF	FF	FF	FF	00	1E	6D	a			b			
10	c	01	03	80	10	09	78	0A	EE	91	A3	54	4C	99	26		
20	0F	50	54	A1	08	00	71	4F	81	01	01	01	01	01	01	01	
30	01	01	01	01	01	01	02	3A	80	18	71	38	2D	40	58	2C	
40	45	00	A0	5A	00	00	00	1E	01	1D	00	72	51	D0	1E	20	
50	6E	28	55	00	A0	5A	00	00	00	1E	00	00	00	FD	00	3A	
60	3E	1E	53	10	00	0A	20	20	20	20	20	20	d			00	e
70	d															00	e
80	02	03	26	F1	4E	10	1F	84	13	05	14	03	02	12	20	21	
90	22	15	01	26	15	07	50	09	57	07	f						
A0	f	E3	05	03	01	01	1D	80	18	71	1C	16	20	58	2C		
B0	25	00	A0	5A	00	00	00	9E	01	1D	00	80	51	D0	0C	20	
C0	40	80	35	00	A0	5A	00	00	00	1E	02	3A	80	18	71	38	
D0	2D	40	58	2C	45	00	A0	5A	00	00	1E	66	21	50	B0		
E0	51	00	1B	30	40	70	36	00	A0	5A	00	00	00	1E	00	00	
F0	00	00	00	00	00	00	00	00	00	00	00	00	00	00	00	F9	

\* Detail EDID Options are below  
Product ID

Model Name	HEX	EDID Table	DDC Function
FHD Model	0001	01 00	Analog/Digital

Serial No: Controlled on production line.  
Month, Year: Controlled on production line:  
ex) Monthly : '02' -> '01'  
Year : '2010' -> '14'  
Model Name(Hex):

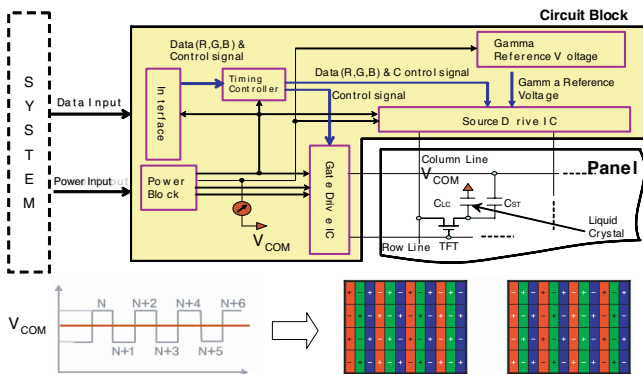
MODEL	MODEL NAME(HEX)
all	00 00 00 FC 00 4C 47 20 54 56 0A 20 20 20 20 20 20

Checksum: Changeable by total EDID data.  
Vendor Specific(HDMI)

INPUT	MODEL NAME(HEX)
HDMI1	67030C001000B82D
HDMI2	67030C002000B82D
HDMI3	67030C003000B82D
HDMI4	67030C004000B82D

### 4.5. V-COM Adjust(Only LGD(M+S) Module)

- Why need Vcom adjustment?
  - The Vcom (Common Voltage) is a Reference Voltage of Liquid Crystal Driving.
  - > Liquid Crystal need for Polarity Change with every frame.



- Adjust sequence
  - Press the PIP key of th ADJ remote control.(This PIP key is hot key to enter the VCOM adjusting mode)
  - (Or After enter Service Mode by pushing “ADJ” key, then Enter V-Com Adjust mode by pushing “▶” key at “10. V-Com”)
  - As pushing the right or the left key on the remote control, and find the V-COM value which is no or minimized the Flicker. (If there is no flicker at default value, Press the exit key and finish the VCOM adjustment.)
  - Push the “OK” key to store value. Then the message “Saving OK” is pop.
  - Press the exit key to finish VCOM adjustment.



(Visual Adjust and control the Voltage level)

### 4.6. Outgoing condition Configuration

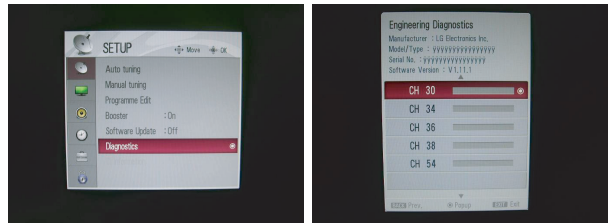
- When pressing IN-STOP key by SVC remocon, Red LED are blinked alternatively. And then Automatically turn off. (Must not AC power OFF during blinking)

### 4.7. Internal pressure

Confirm whether is normal or not when between power board’s ac block and GND is impacted on 1.5 kV(dc) or 2.2 kV(dc) for one second.

### 5. Model name & Serial number D/L

- Press “Power on” key of service remocon. (Baud rate : 115200 bps)
- Connect RS232 Signal Cable to RS-232 Jack.
- Write Serial number by use RS-232.
- Must check the serial number at the Diagnostics of SET UP menu. (Refer to below).



### 5.1. Signal TABLE

CMD	LENGTH	ADH	ADL	DATA_1	...	Data_n	CS	DELAY
-----	--------	-----	-----	--------	-----	--------	----	-------

CMD : A0h  
 LENGTH : 85~94h (1~16 bytes)  
 ADH : EEPROM Sub Address high (00~1F)  
 ADL : EEPROM Sub Address low (00~FF)  
 Data : Write data  
 CS : CMD + LENGTH + ADH + ADL + Data\_1 +...+ Data\_n  
 Delay : 20ms

### 5.2. Command Set

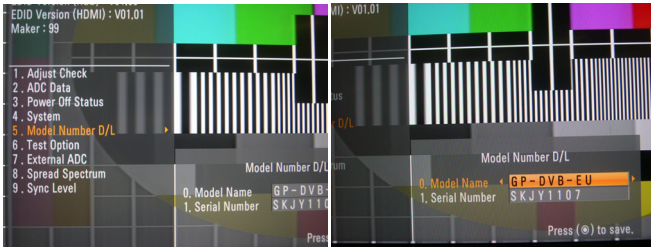
No.	Adjust mode	CMD(hex)	LENGTH(hex)	Description
1	EEPROM WRITE	A0h	84h+n	n-bytes Write (n = 1~16)

\* Description  
 FOS Default write : <7mode data> write  
 Vtotal, V\_Frequency, Sync\_Polarity, Htotal, Hstart, Vstart, 0, Phase  
 Data write : Model Name and Serial Number write in EEPROM,.

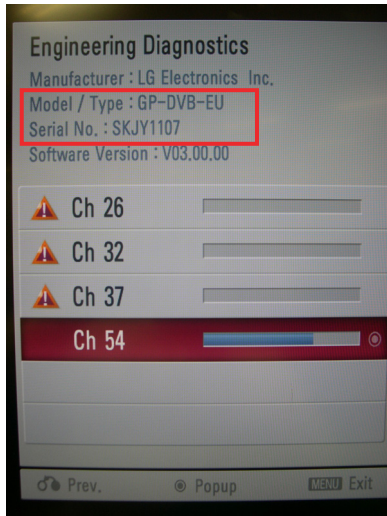
### 5.3. Method & notice

- Serial number D/L is using of scan equipment.
- Setting of scan equipment operated by Manufacturing Technology Group.
- Serial number D/L must be conformed when it is produced in production line, because serial number D/L is mandatory by D-book 4.0.

- \* Manual Download (Model Name and Serial Number)  
 If the TV set is downloaded by OTA or Service man, Sometimes model name or serial number is initialized.(Not always)  
 There is impossible to download by bar code scan, so It need Manual download.
  - 1) Press the ‘instart’ key of ADJ remote controller.
  - 2) Go to the menu ‘5.Model Number D/L’ like below photo.
  - 3) Input the Factory model name(ex 42LD450-ZA) or Serial number like photo.



- 4) Check the model name Instart menu -> Factory name displayed (ex 42LD450-ZA)
- 5) Check the Diagnostics (DTV country only) -> Buyer model displayed (ex 42LD450)



## 6. CI+ key download(Only for CI model)

### 6-1. Download Procedure

- (1) Press "Power on" button of a service R/C.(Baud rate : 115200 bps)
- (2) Connect RS232-C Signal Cable.
- (3) Write CI+ Key through RS-232-C.
- (4) Check whether the key was downloaded or not at 'In Start' menu. (Refer to below).



=> Check the Download to CI+ Key value in LGset.

## 6-2. check the method of CI+ Key value

- (1) Check the method on Instart menu



- (2) check the method of RS232C Command
  - 1) into the main ass'y mode (RS232 : aa 00 00)

CMD 1	CMD 2	Data 0	Data 1
A	A	0	0

- 2) check the key download for transmitted command (RS232 : ci 00 10)

CMD 1	CMD 2	Data 0	Data 1
C	I	1	0

- 3) result value
  - normally status for download : OKx
  - abnormally status for download : NGx

## 6-3. Check the method of CI+ key value (RS232)

- (1) into the main ass'y mode (RS232 : aa 00 00)

CMD 1	CMD 2	Data 0	Data 1
A	A	0	0

- (2) Check the method of CI+ key by command (RS232 : ci 00 20)

CMD 1	CMD 2	Data 0	Data 1
C	I	2	0

- (3) Result value
 

i 01 OK 1d1852d21c1ed5dcx

└──────────────────┘

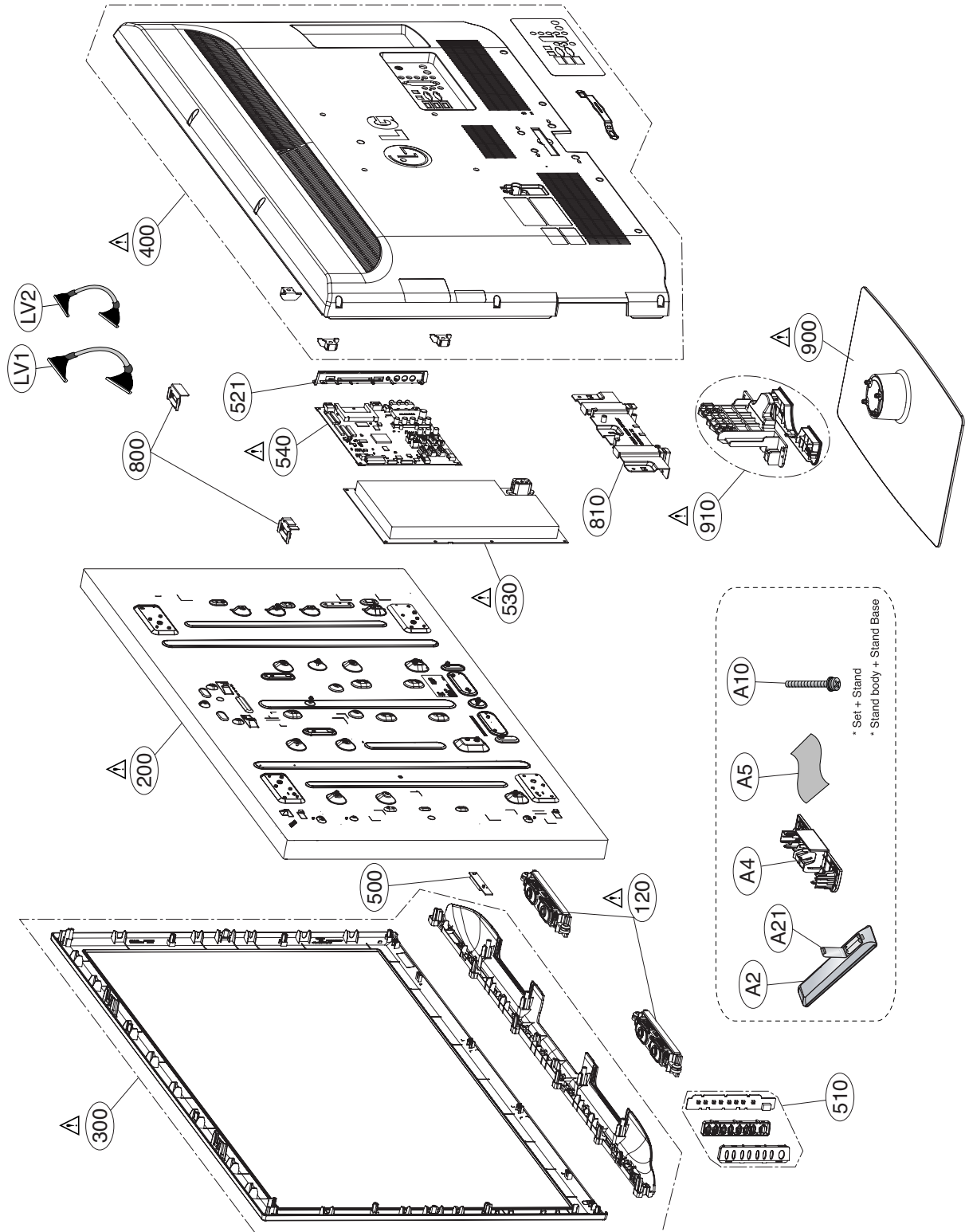
                          ▶ CI+ key Value



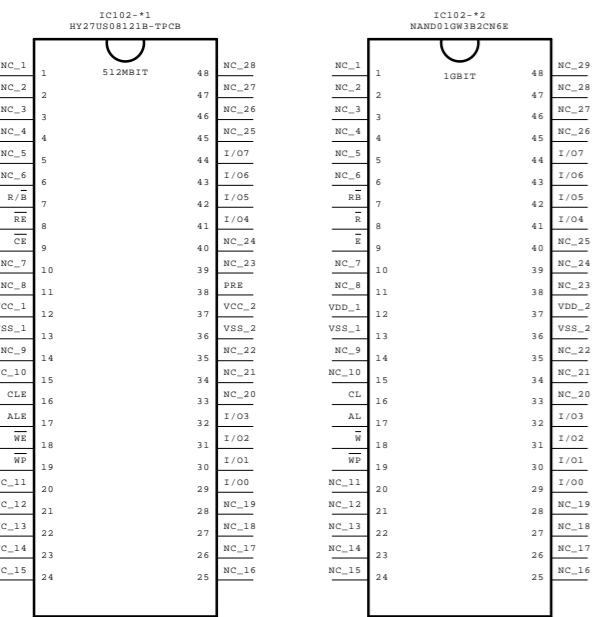
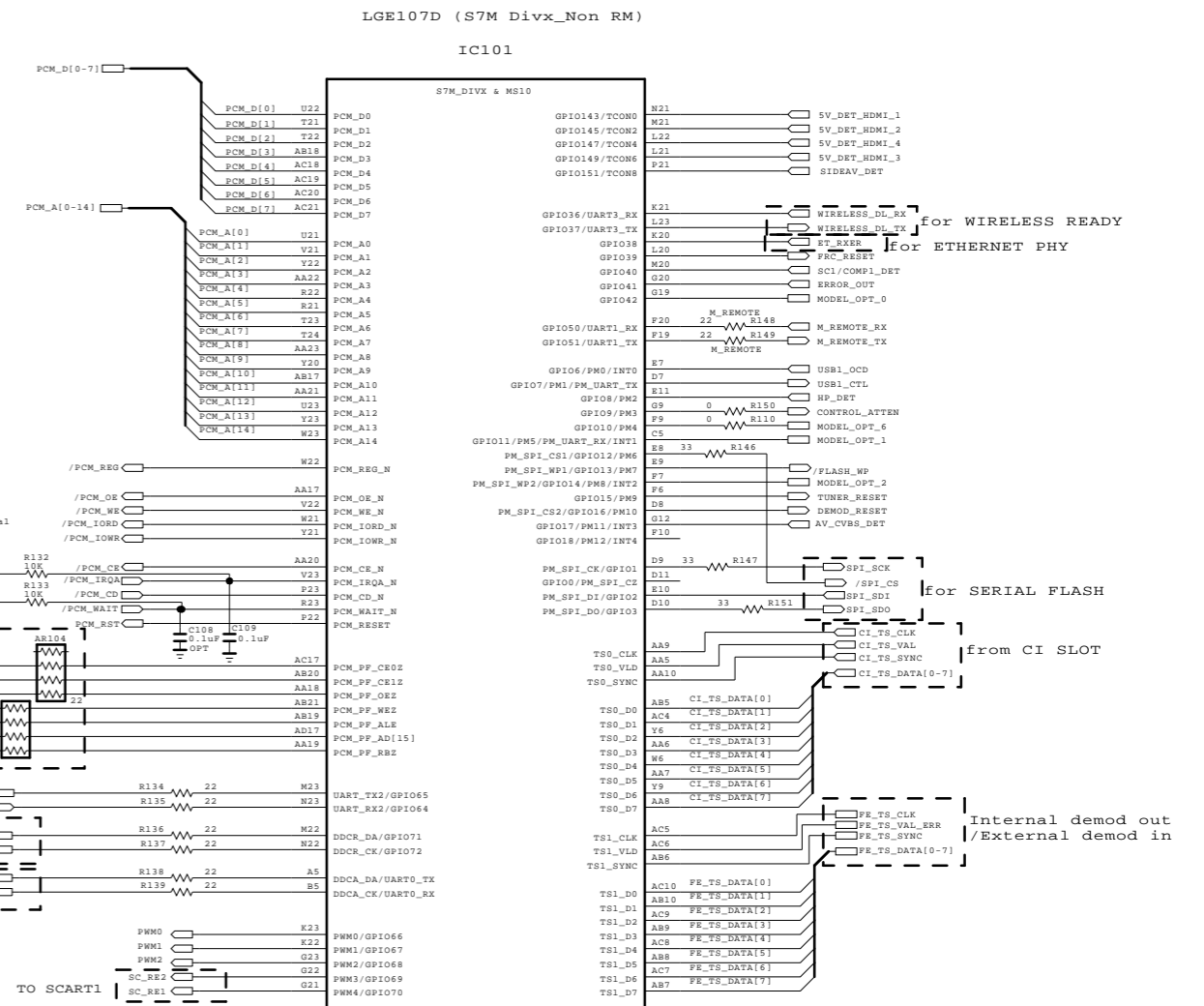
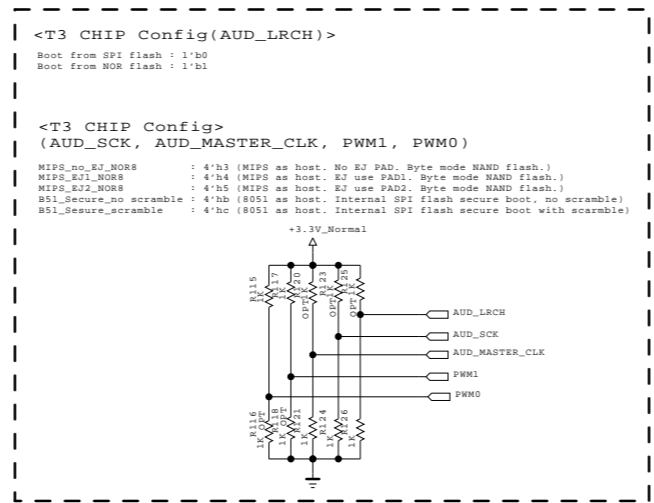
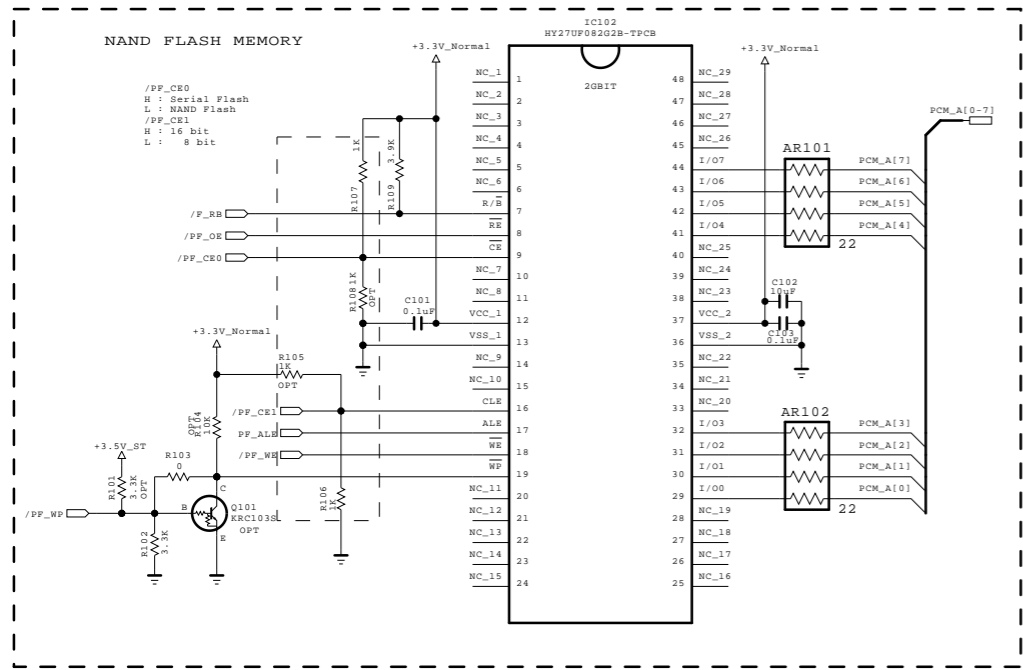
# EXPLODED VIEW

## IMPORTANT SAFETY NOTICE

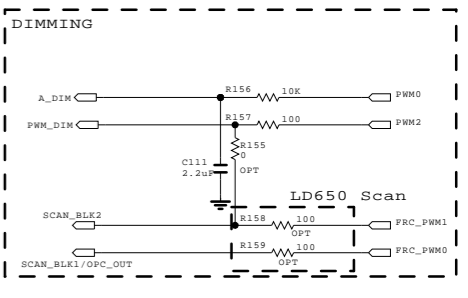
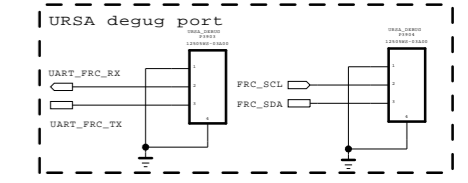
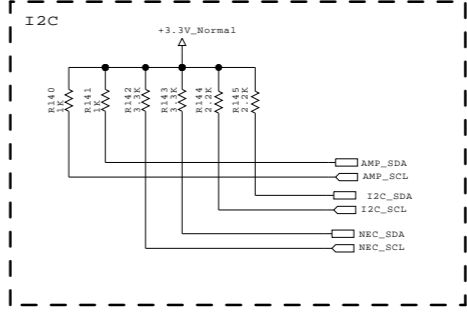
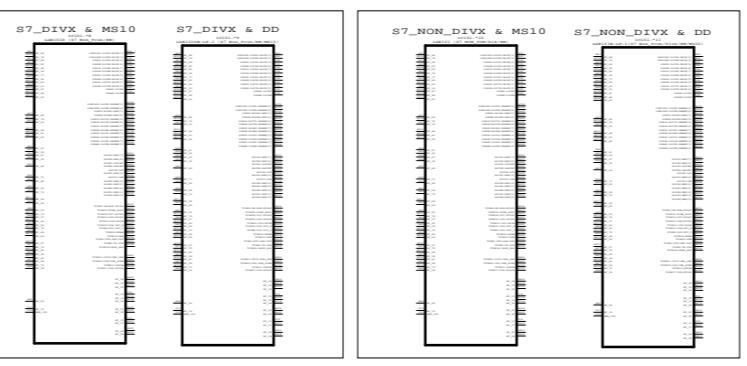
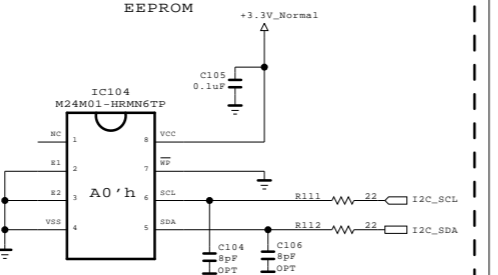
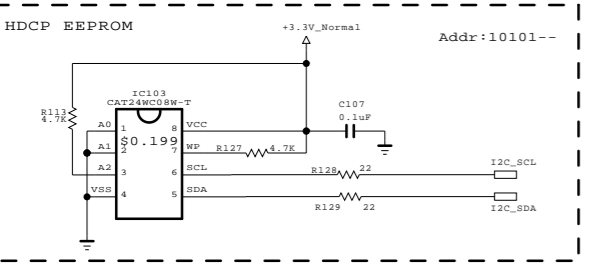
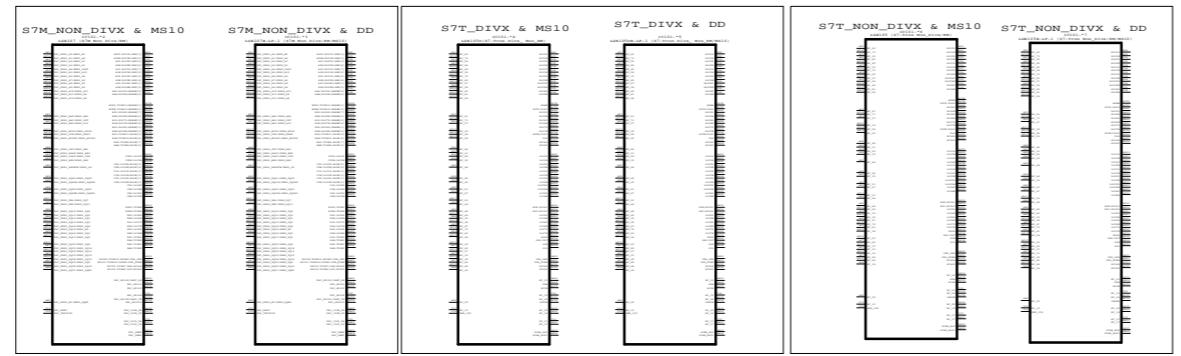
Many electrical and mechanical parts in this chassis have special safety-related characteristics. These parts are identified by  $\Delta$  in the Schematic Diagram and EXPLODED VIEW. It is essential that these special safety parts should be replaced with the same components as recommended in this manual to prevent X-RADIATION, Shock, Fire, or other Hazards. Do not modify the original design without permission of manufacturer.







& MS10 :Region that support MS10(ex:DTV Country)  
& DD :Region that support only Dolby Digital(ex:AISA Analog/KOREA)

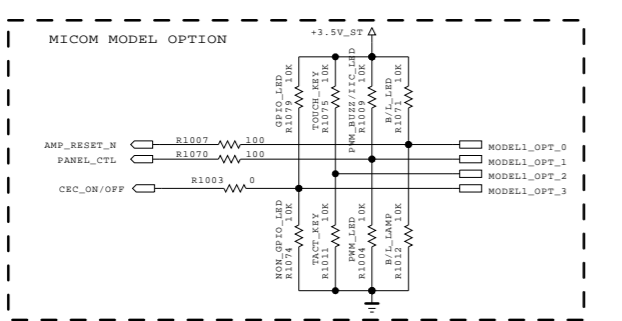
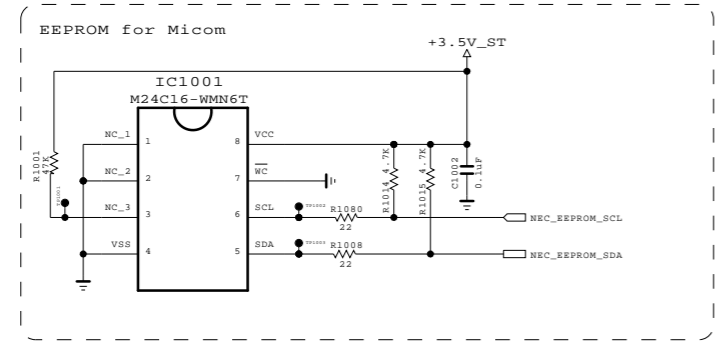
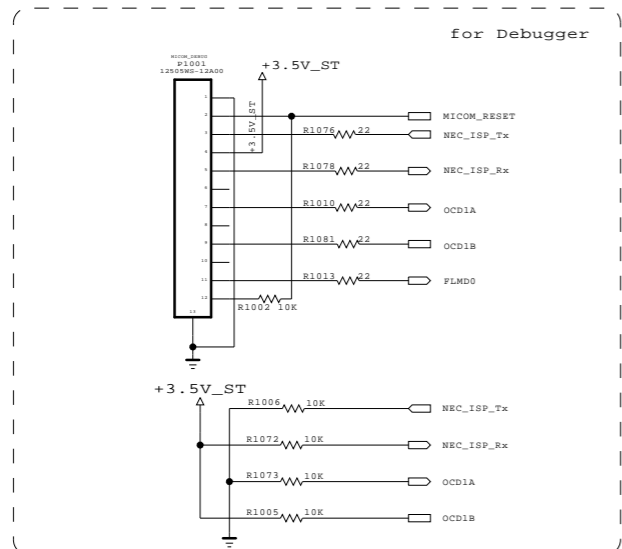


THE  $\Delta$  SYMBOL MARK OF THIS SCHEMATIC DIAGRAM INCORPORATES SPECIAL FEATURES IMPORTANT FOR PROTECTION FROM X-RADIATION. FILRE AND ELECTRICAL SHOCK HAZARDS, WHEN SERVICING IF IS ESSENTIAL THAT ONLY MANUFACTURES SPECIFIED PARTS BE USED FOR THE CRITICAL COMPONENTS IN THE  $\Delta$  SYMBOL MARK OF THE SCHEMATIC.

SECRET  
LGElectronics



MODEL	GP2_Saturn7M	DATE	Ver. 1.3
BLOCK	FLASH/EEPROM/GPIO	SHEET	1

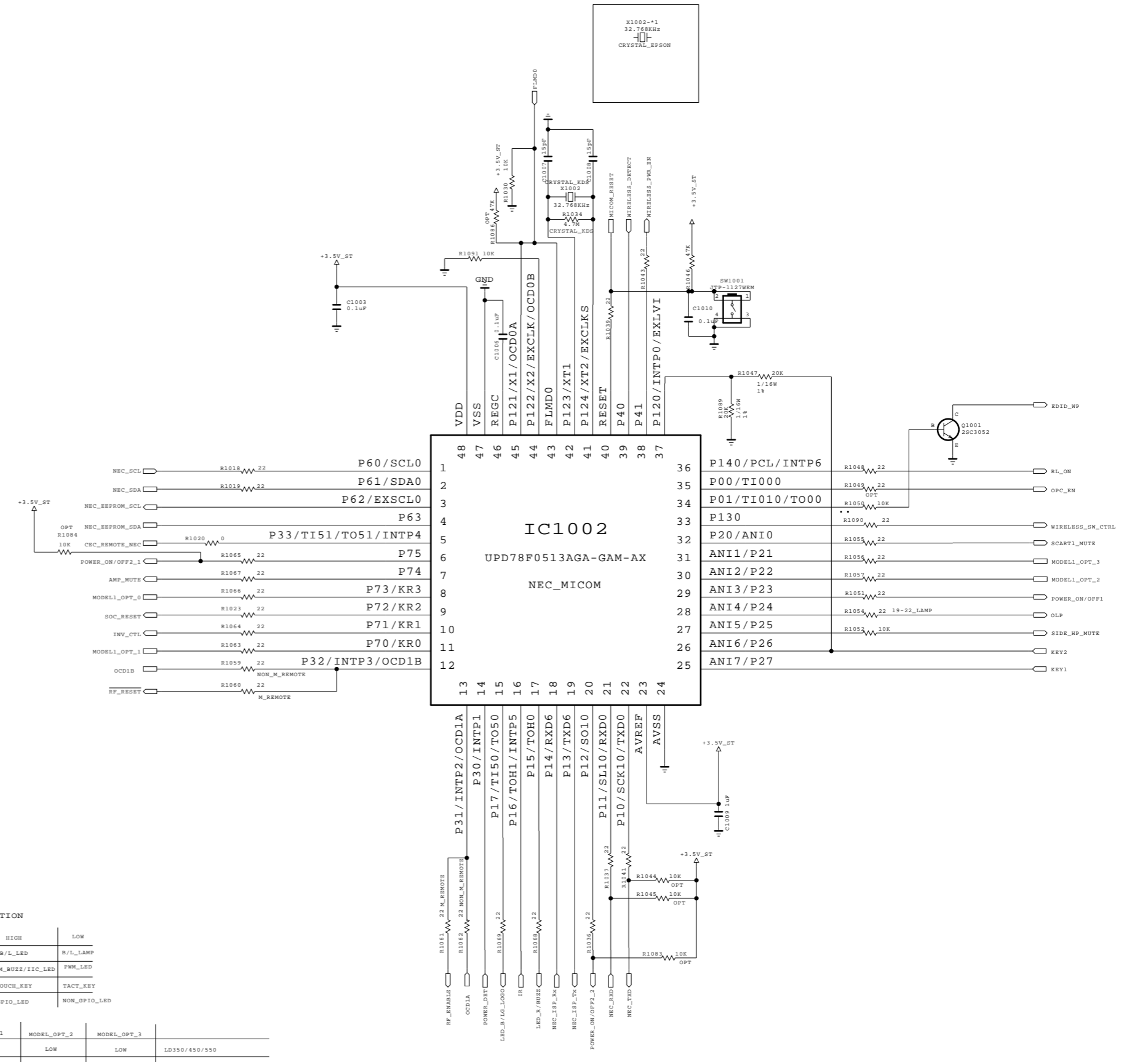


**MODEL OPTION**

PIN NAME	PIN NO.	HIGH	LOW	
MODEL_OPT_0	8	R/L_LED	B/L_LAMP	
MODEL_OPT_1	11	PWM_BUZZ/TIC_LED	PWM_LED	
MODEL_OPT_2	30	TOUCH_KEY	TACT_KEY	
MODEL_OPT_3	31	GPIO_LED	NON_GPIO_LED	

MODEL_OPT_0	MODEL_OPT_1	MODEL_OPT_2	MODEL_OPT_3	
LOW	LOW	LOW	LOW	LD350/450/550
HIGH	LOW	HIGH	LOW	19/22/26LB3300(5500)
HIGH	HIGH	HIGH	LOW	32/37/42/47/55LE5300(10)
LOW	HIGH	LOW	LOW	LD420
HIGH	LOW	LOW	HIGH	LE7300
	HIGH		HIGH	TBD



THE SYMBOL MARK OF THIS SCHEMATIC DIAGRAM INCORPORATES SPECIAL FEATURES IMPORTANT FOR PROTECTION FROM X-RADIATION. FILRE AND ELECTRICAL SHOCK HAZARDS, WHEN SERVICING IF IS ESSENTIAL THAT ONLY MANUFACTURES SPECIFIED PARTS BE USED FOR THE CRITICAL COMPONENTS IN THE SYMBOL MARK OF THE SCHEMATIC.

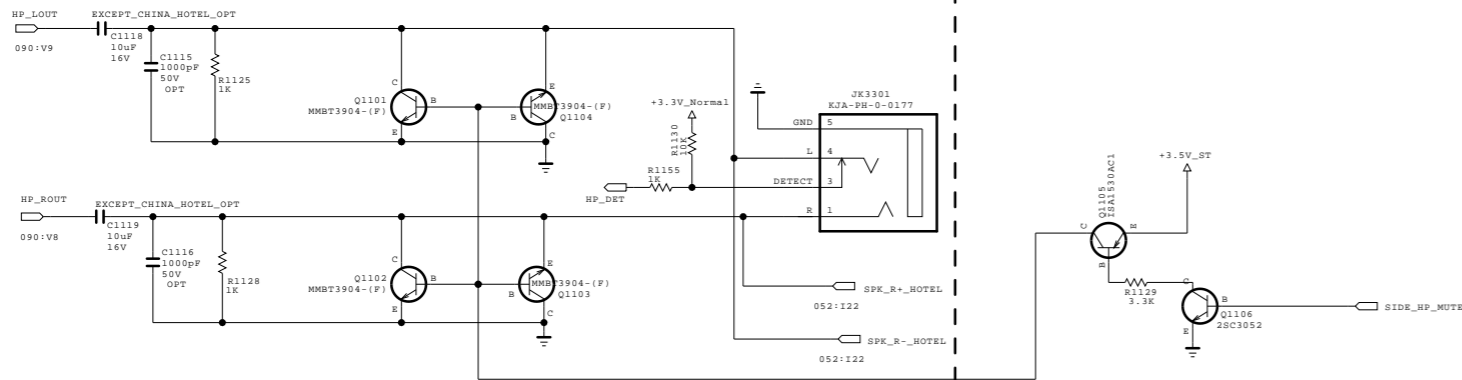
**SECRET**  
LGElectronics



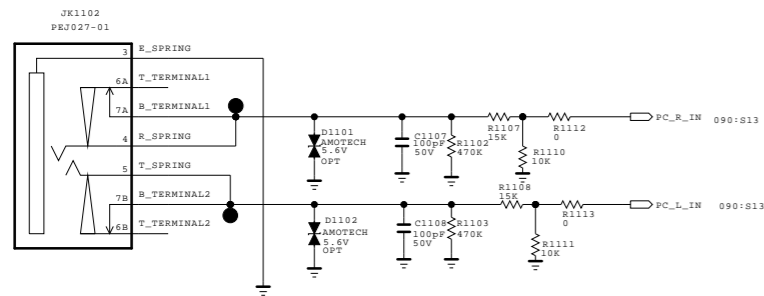
MODEL	GP2_Saturn7M	DATE	Ver. 1.4
BLOCK	MICOM	SHEET	5 /

# COMMON AREA

## New Item Development EARPHONE BLOCK

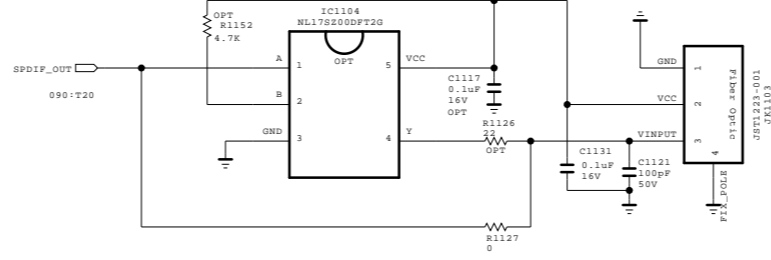


## PC AUDIO

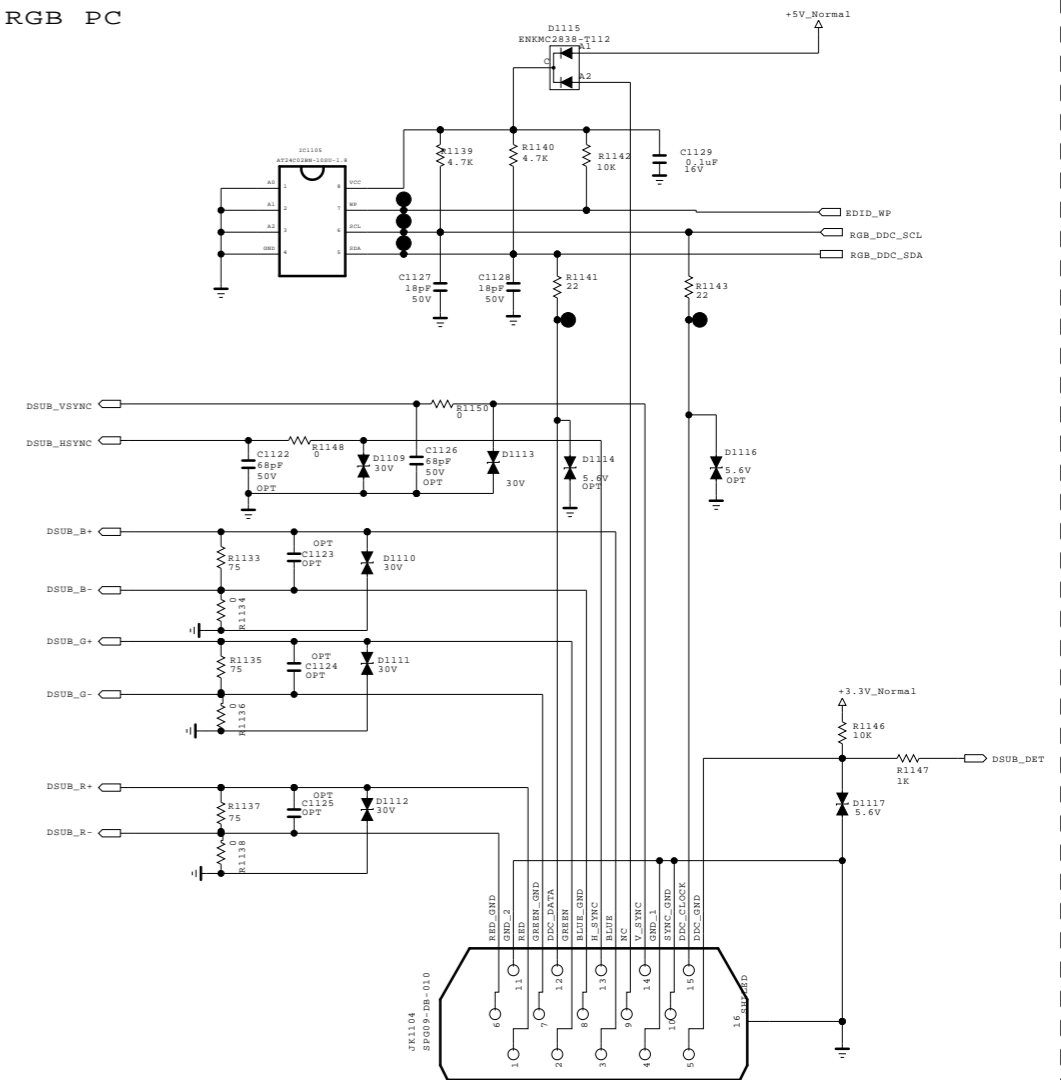


## SPDIF OPTIC JACK

5.15 Matar Circuit Application



## RGB PC



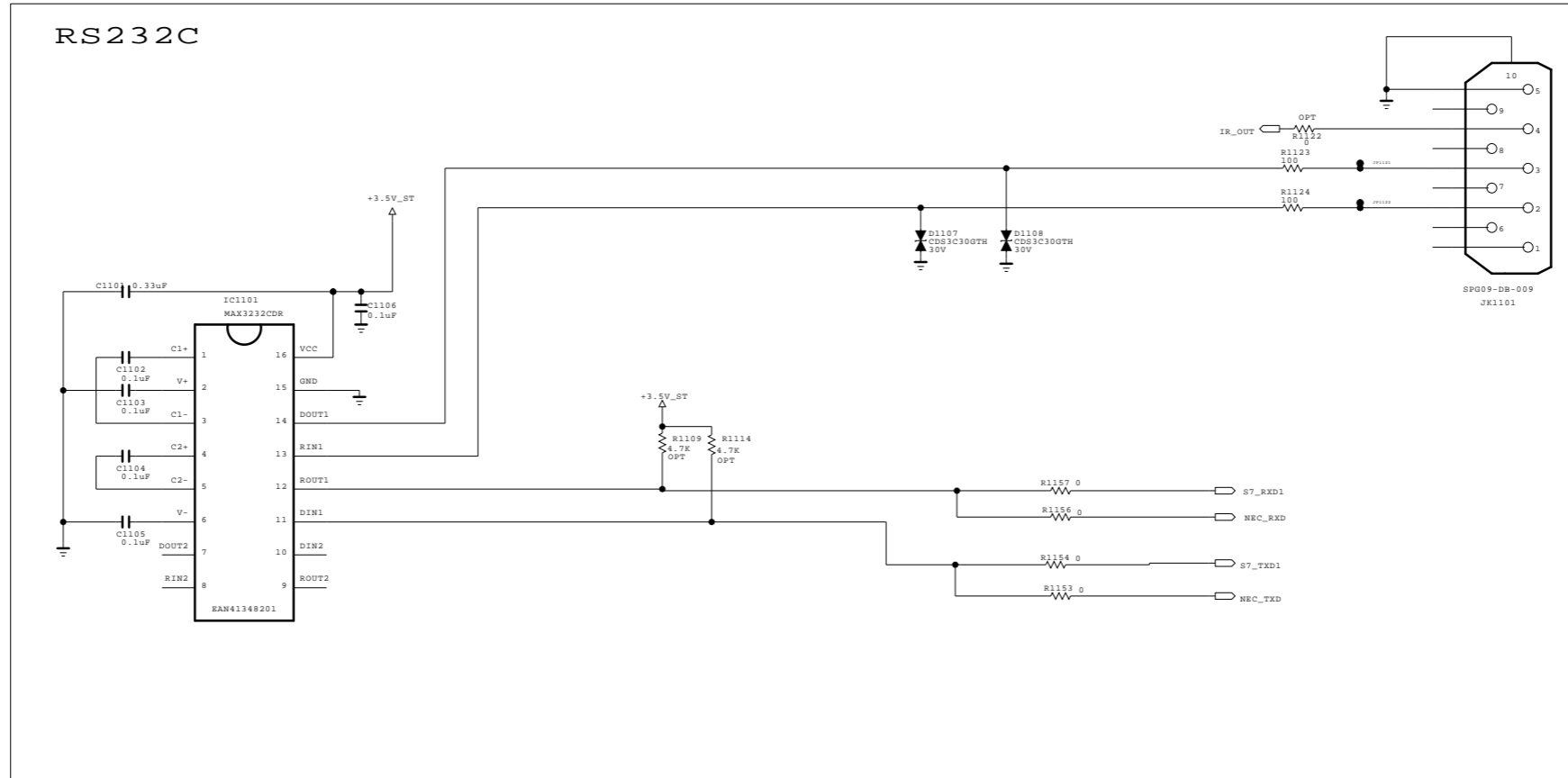
THE SYMBOL MARK OF THIS SCHEMATIC DIAGRAM INCORPORATES SPECIAL FEATURES IMPORTANT FOR PROTECTION FROM X-RADIATION. FILRE AND ELECTRICAL SHOCK HAZARDS, WHEN SERVICING IF IS ESSENTIAL THAT ONLY MANUFACTURES SPECIFIED PARTS BE USED FOR THE CRITICAL COMPONENTS IN THE SYMBOL MARK OF THE SCHEMATIC.

**SECRET**  
LGElectronics



MODEL	GP2_Saturn7M	DATE	Ver. 1.0
BLOCK	COMMON AREA	SHEET	9 /

RS232C

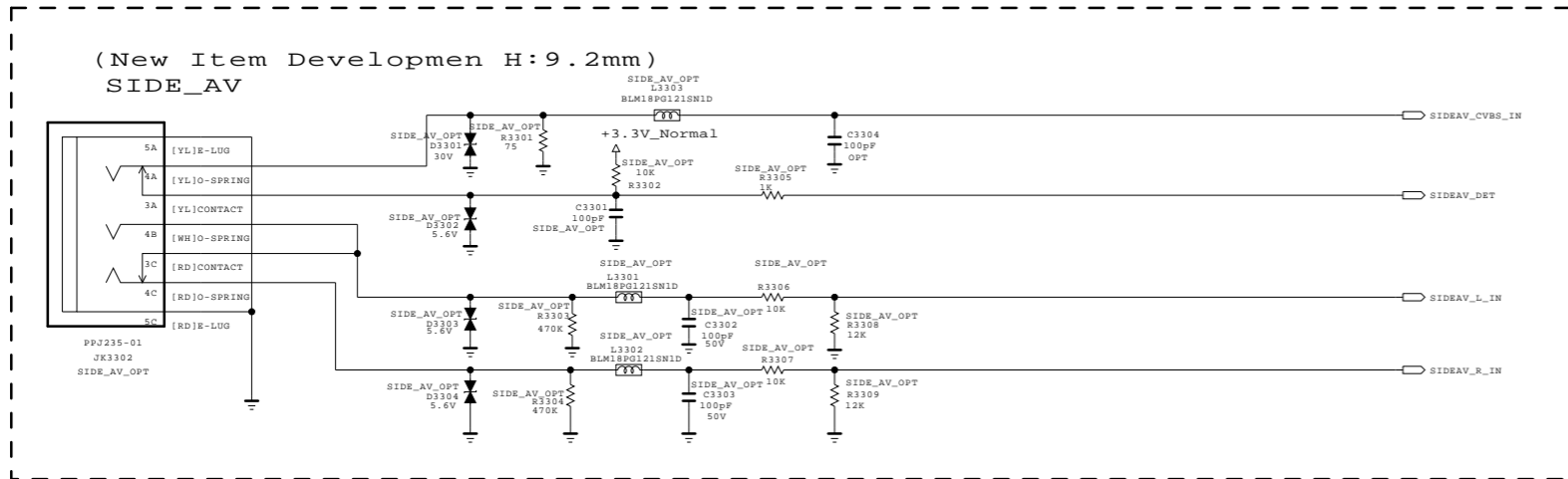


THE SYMBOL MARK OF THIS SCHEMATIC DIAGRAM INCORPORATES SPECIAL FEATURES IMPORTANT FOR PROTECTION FROM X-RADIATION. FILRE AND ELECTRICAL SHOCK HAZARDS, WHEN SERVICING IF IS ESSENTIAL THAT ONLY MANUFACTURES SPECIFIED PARTS BE USED FOR THE CRITICAL COMPONENTS IN THE SYMBOL MARK OF THE SCHEMATIC.

SECRET  
LGElectronics



MODEL	GP2_Saturn7M	DATE	Ver. 1.0
BLOCK	RS232C 9PIN	SHEET	10 /



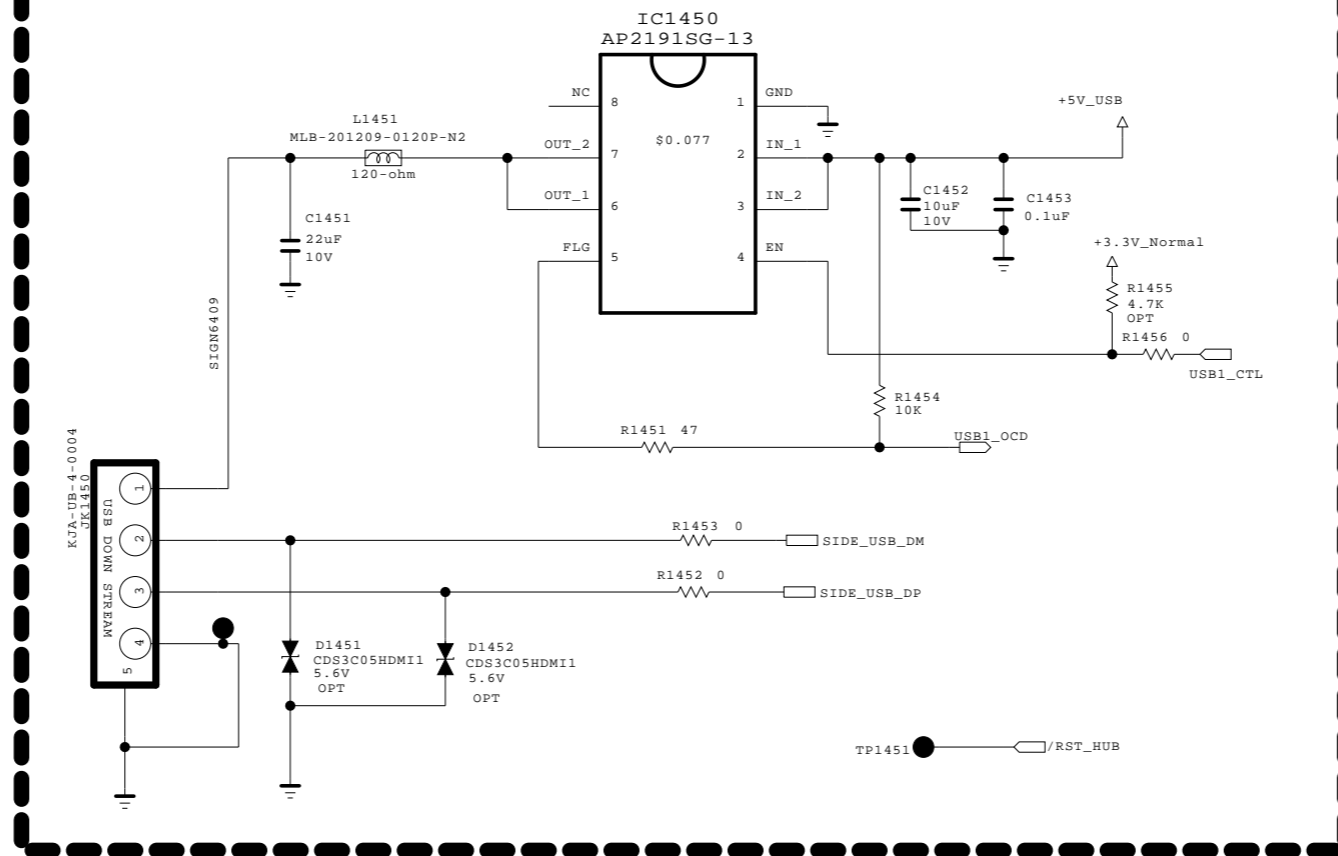
THE SYMBOL MARK OF THIS SCHEMATIC DIAGRAM INCORPORATES SPECIAL FEATURES IMPORTANT FOR PROTECTION FROM X-RADIATION. FILRE AND ELECTRICAL SHOCK HAZARDS, WHEN SERVICING IF IS ESSENTIAL THAT ONLY MANUFACTURES SPECIFIED PARTS BE USED FOR THE CRITICAL COMPONENTS IN THE SYMBOL MARK OF THE SCHEMATIC.

SECRET  
LGElectronics



MODEL	GP2_Saturn7M	DATE	Ver. 1.0
BLOCK	SIDE AV	SHEET	11 /

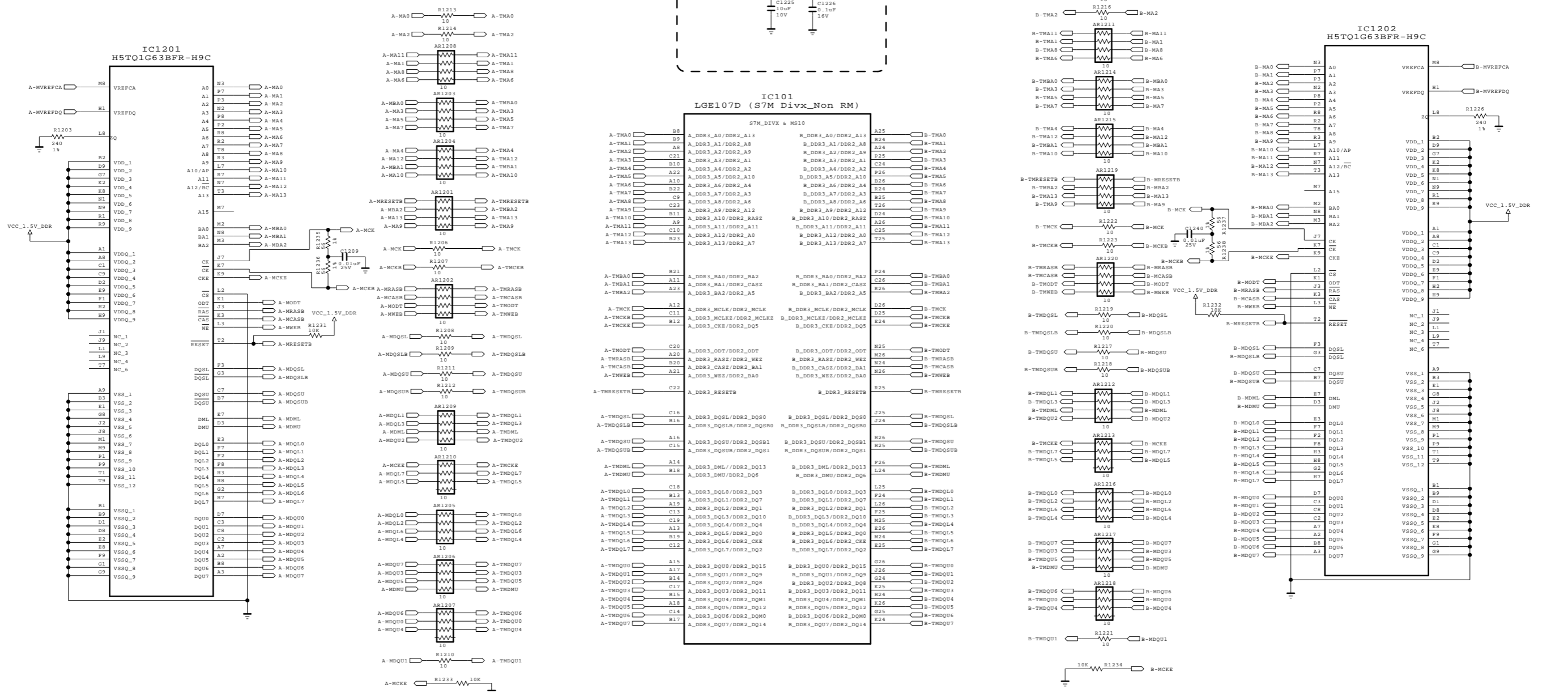
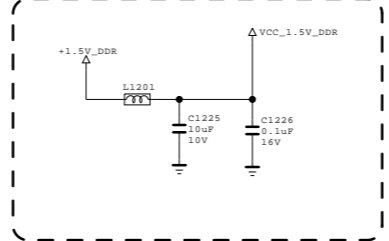
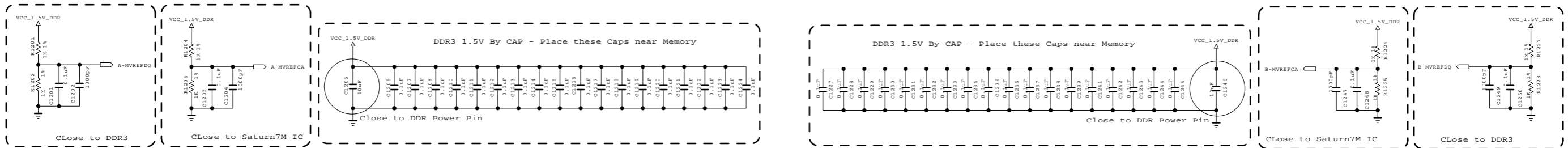
# USB\_DIODES



THE SYMBOL MARK OF THIS SCHEMATIC DIAGRAM INCORPORATES SPECIAL FEATURES IMPORTANT FOR PROTECTION FROM X-RADIATION. FILRE AND ELECTRICAL SHOCK HAZARDS, WHEN SERVICING IF IS ESSENTIAL THAT ONLY MANUFACTURES SPECIFIED PARTS BE USED FOR THE CRITICAL COMPONENTS IN THE SYMBOL MARK OF THE SCHEMATIC.

SECRET	LG ELECTRONICS
LGElectronics	

MODEL		DATE	
BLOCK		SHEET	/

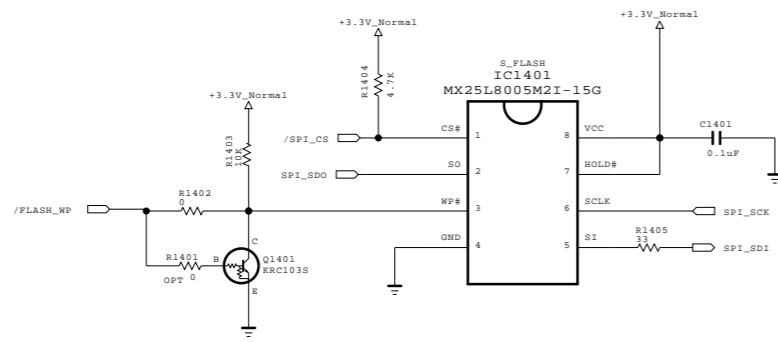


THE  $\Delta$  SYMBOL MARK OF THIS SCHEMATIC DIAGRAM INCORPORATES SPECIAL FEATURES IMPORTANT FOR PROTECTION FROM X-RADIATION. FILRE AND ELECTRICAL SHOCK HAZARDS, WHEN SERVICING IF IS ESSENTIAL THAT ONLY MANUFACTURES SPECIFIED PART BE USED FOR THE CRITICAL COMPONENTS IN THE  $\Delta$  SYMBOL MARK OF THE SCHEMATIC.

SECRET  
LGElectronics



MODEL	GP2_Saturn7M	DATE	Ver. 1.0
BLOCK	DDR3 (256MB)	SHEET	21



THE SYMBOL MARK OF THIS SCHEMATIC DIAGRAM INCORPORATES SPECIAL FEATURES IMPORTANT FOR PROTECTION FROM X-RADIATION. FILRE AND ELECTRICAL SHOCK HAZARDS, WHEN SERVICING IF IS ESSENTIAL THAT ONLY MANUFACTURES SPECIFIED PARTS BE USED FOR THE CRITICAL COMPONENTS IN THE SYMBOL MARK OF THE SCHEMATIC.

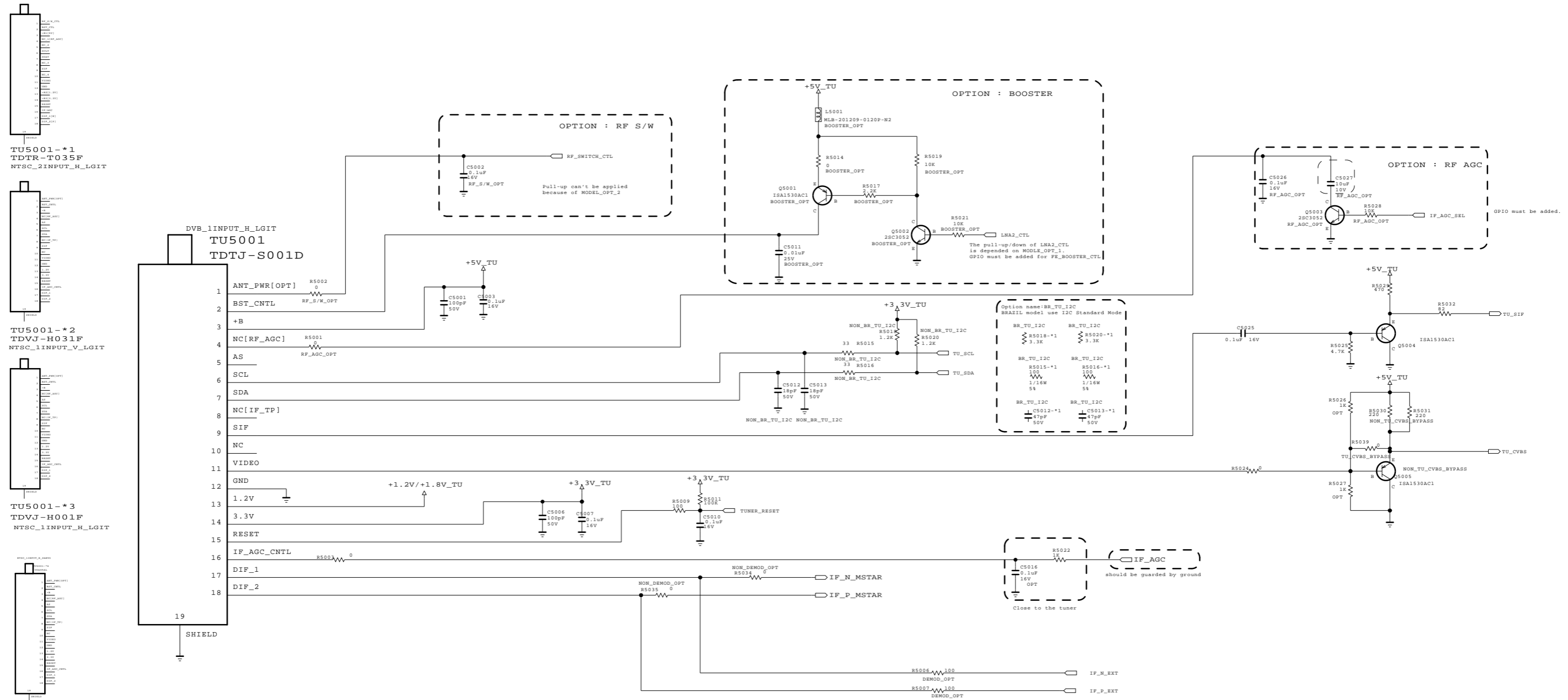
**SECRET**  
LGElectronics



MODEL	GP2_Saturn7M	DATE	Ver. 1.2
BLOCK	S-Flash(1MB)	SHEET	23 /



# LGIT CAN H/N TUNER for US&KOR&BRAZIL&TAIWAN&AUS



TU5001-\*1  
TDTR-T035F  
NTSC\_2INPUT\_H\_LGIT

TU5001-\*2  
TDVJ-H031F  
NTSC\_1INPUT\_V\_LGIT

TU5001-\*3  
TDVJ-H001F  
NTSC\_1INPUT\_H\_LGIT

\*Change History.  
Ver 1.0 --> 1.1: Change of chip type, 091019, w.s.jeong  
Ver 1.1 --> 1.2: Change of chip type, Add of Tuner P/N for NTSC\_1INPUT \* 091116, w.s.jeong  
1. De-rating  
1) R5029, R5030, R5031 : 1005 Type => 1608 Type (w.s.jeong\_1019)  
2) R5030, R5031 : 200/1608 Type => 220/2012 Type (w.s.jeong\_1116)  
2. ADD of TUNER P/N (w.s.jeong\_1116)

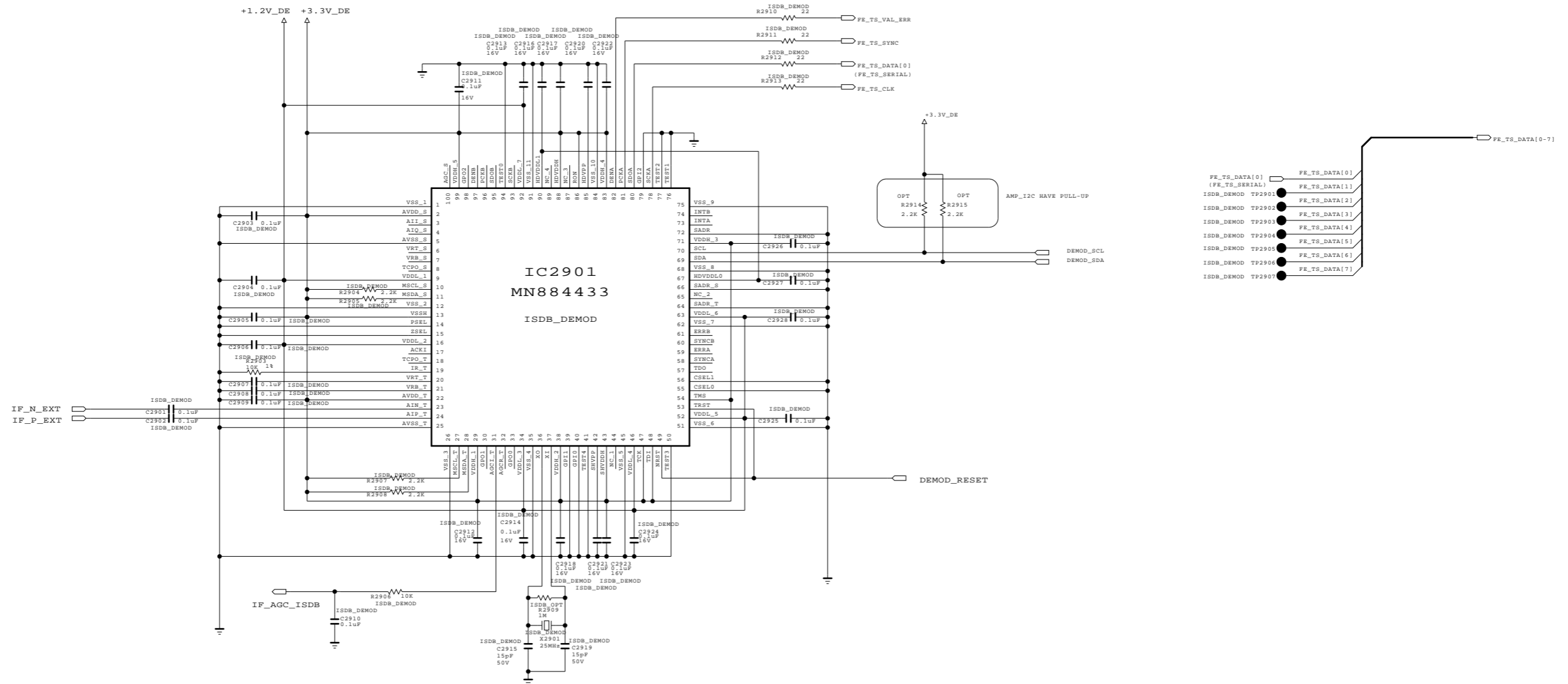
THE  $\Delta$  SYMBOL MARK OF THIS SCHEMATIC DIAGRAM INCORPORATES SPECIAL FEATURES IMPORTANT FOR PROTECTION FROM X-RADIATION. FILRE AND ELECTRICAL SHOCK HAZARDS, WHEN SERVICING IF IS ESSENTIAL THAT ONLY MANUFACTURES SPECIFIED PARTS BE USED FOR THE CRITICAL COMPONENTS IN THE  $\Delta$  SYMBOL MARK OF THE SCHEMATIC.

SECRET  
LGElectronics



MODEL	GP2 Saturn7M	DATE	Ver. 1.1
BLOCK	ATSC CAN TUNER	SHEET	26

# PANASONIC (ISDB-T) MN884433



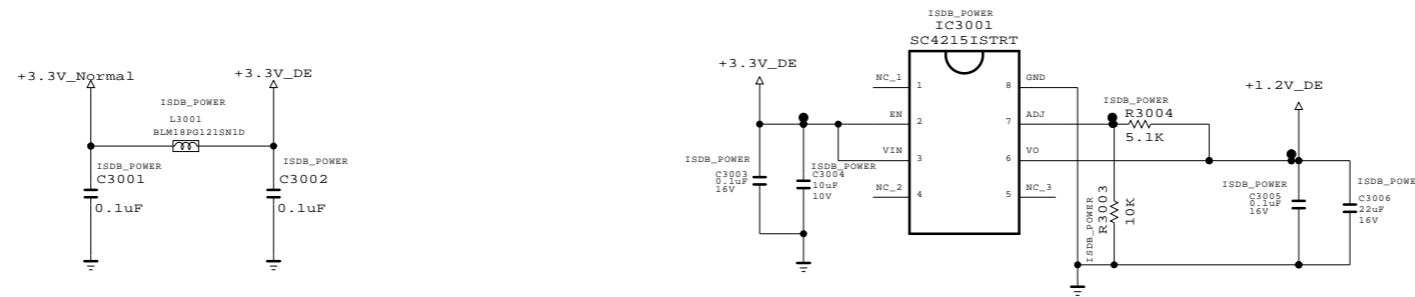
THE SYMBOL MARK OF THIS SCHEMATIC DIAGRAM INCORPORATES SPECIAL FEATURES IMPORTANT FOR PROTECTION FROM X-RADIATION. FILRE AND ELECTRICAL SHOCK HAZARDS, WHEN SERVICING IF IS ESSENTIAL THAT ONLY MANUFACTURES SPECIFIED PARTS BE USED FOR THE CRITICAL COMPONENTS IN THE SYMBOL MARK OF THE SCHEMATIC.

**SECRET**  
LGElectronics

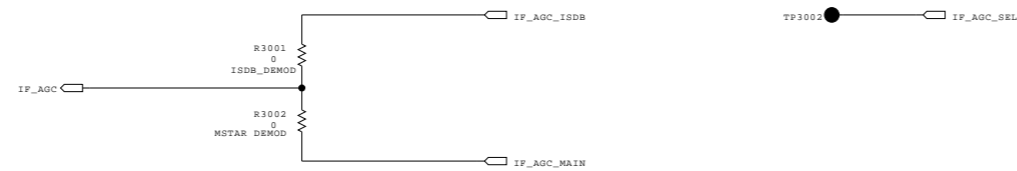


MODEL	GP2_Saturn7M	DATE	Ver. 1.0
BLOCK	ISDB-T Demodulator	SHEET	28 /

# Panasonic Demodulator Power (3.3V, 1.2V)



## IF AGC SELECTION



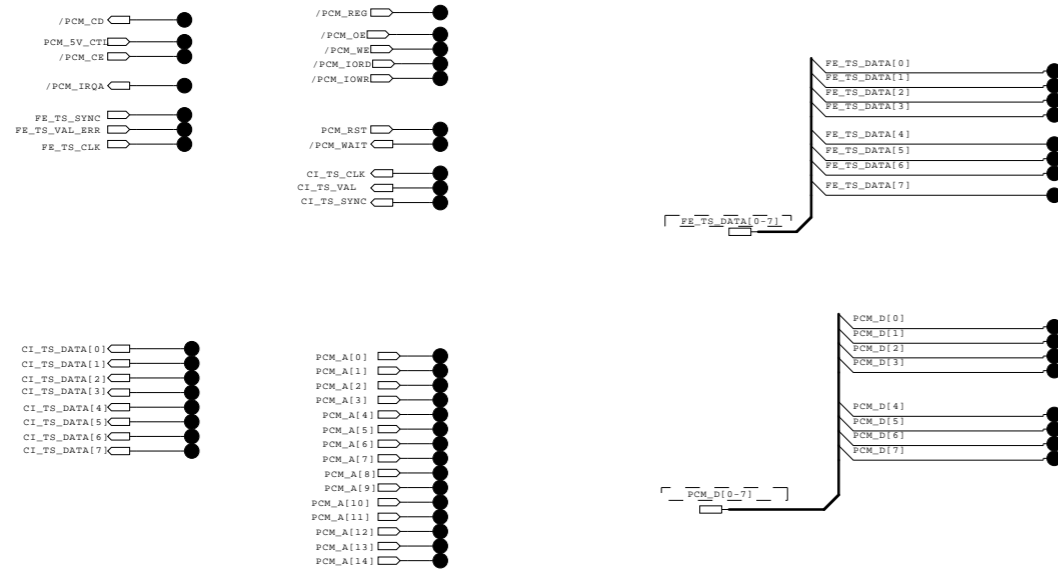
THE SYMBOL MARK OF THIS SCHEMATIC DIAGRAM INCORPORATES SPECIAL FEATURES IMPORTANT FOR PROTECTION FROM X-RADIATION. FILRE AND ELECTRICAL SHOCK HAZARDS, WHEN SERVICING IF IS ESSENTIAL THAT ONLY MANUFACTURES SPECIFIED PARTS BE USED FOR THE CRITICAL COMPONENTS IN THE SYMBOL MARK OF THE SCHEMATIC.

SECRET  
LGElectronics

LG ELECTRONICS

MODEL	GP2_Saturn7M	DATE	Ver. 1.0
BLOCK	Demodulator	SHEET	29 /

# NON CI Region



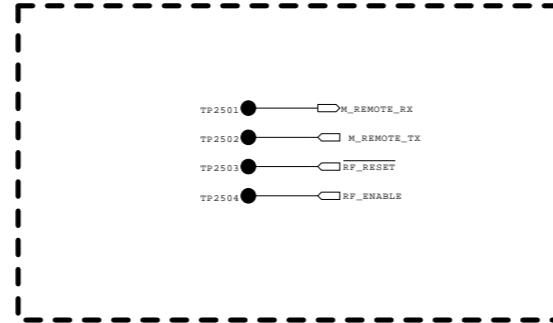
THE SYMBOL MARK OF THIS SCHEMATIC DIAGRAM INCORPORATES SPECIAL FEATURES IMPORTANT FOR PROTECTION FROM X-RADIATION. FILRE AND ELECTRICAL SHOCK HAZARDS, WHEN SERVICING IF IS ESSENTIAL THAT ONLY MANUFACTURES SPECIFIED PARTS BE USED FOR THE CRITICAL COMPONENTS IN THE SYMBOL MARK OF THE SCHEMATIC.

**SECRET**  
LGElectronics



MODEL	GP2_Saturn7M	DATE	Ver. 1.0
BLOCK	PCMCI	SHEET	46 /

# NON Motion Remocon Region



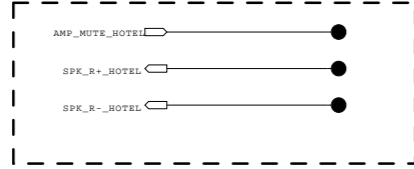
THE SYMBOL MARK OF THIS SCHEMATIC DIAGRAM INCORPORATES SPECIAL FEATURES IMPORTANT FOR PROTECTION FROM X-RADIATION. FILRE AND ELECTRICAL SHOCK HAZARDS, WHEN SERVICING IF IS ESSENTIAL THAT ONLY MANUFACTURES SPECIFIED PARTS BE USED FOR THE CRITICAL COMPONENTS IN THE SYMBOL MARK OF THE SCHEMATIC.



**SECRET**  
 LGElectronics



MODEL	GP2_Saturn7M	DATE	Ver. 1.0
BLOCK	NON M REMOCON	SHEET	50 /

NON CHINA HOTEL



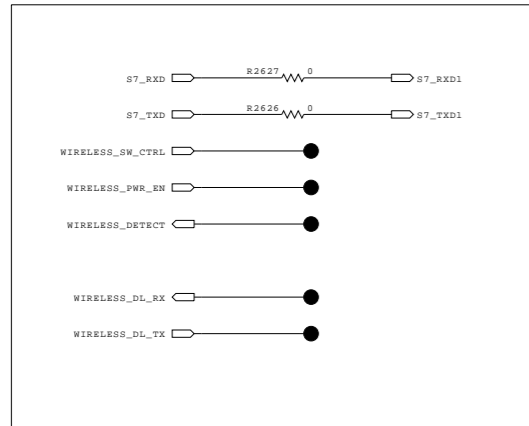
THE  SYMBOL MARK OF THIS SCHEMATIC DIAGRAM INCORPORATES SPECIAL FEATURES IMPORTANT FOR PROTECTION FROM X-RADIATION. FILRE AND ELECTRICAL SHOCK HAZARDS, WHEN SERVICING IF IS ESSENTIAL THAT ONLY MANUFACTURES SPECIFIED PARTS BE USED FOR THE CRITICAL COMPONENTS IN THE  SYMBOL MARK OF THE SCHEMATIC.

SECRET  
LGElectronics



MODEL	GP2_Saturn7M	DATE	Ver. 1.0
BLOCK	NON CHINA HOTEL	SHEET	52 /

NON-WIRELESS MODEL

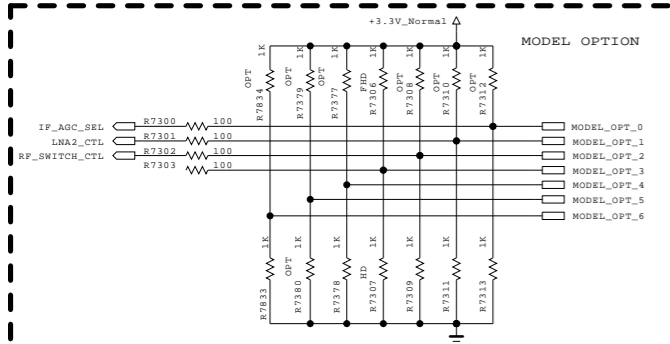


THE SYMBOL MARK OF THIS SCHEMATIC DIAGRAM INCORPORATES SPECIAL FEATURES IMPORTANT FOR PROTECTION FROM X-RADIATION. FILRE AND ELECTRICAL SHOCK HAZARDS, WHEN SERVICING IF IS ESSENTIAL THAT ONLY MANUFACTURES SPECIFIED PARTS BE USED FOR THE CRITICAL COMPONENTS IN THE SYMBOL MARK OF THE SCHEMATIC.

SECRET  
LGElectronics

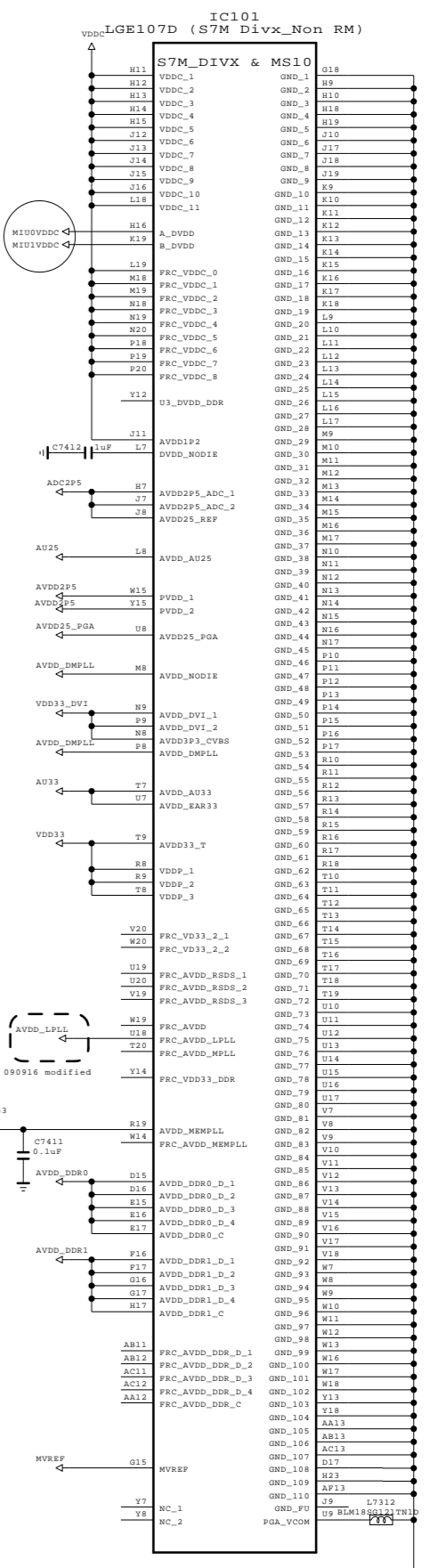
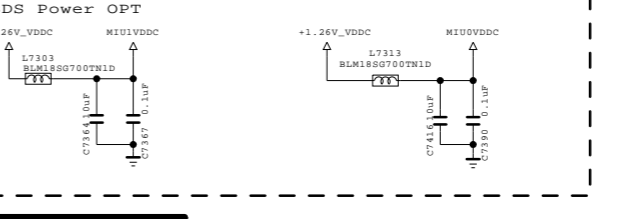
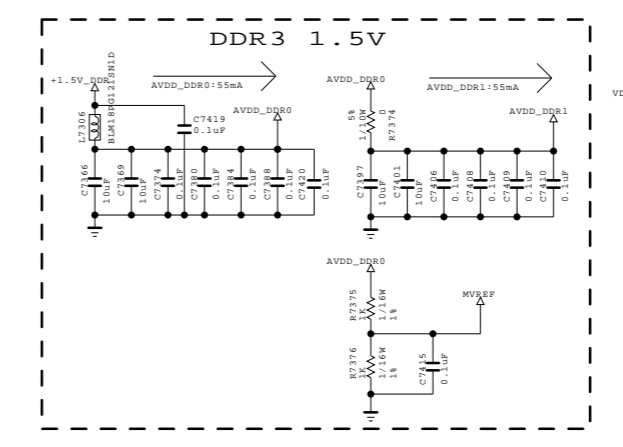
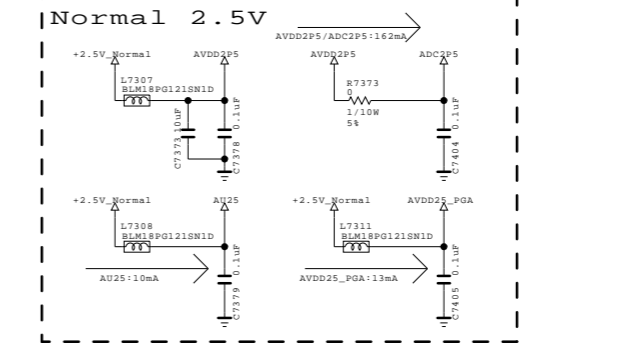
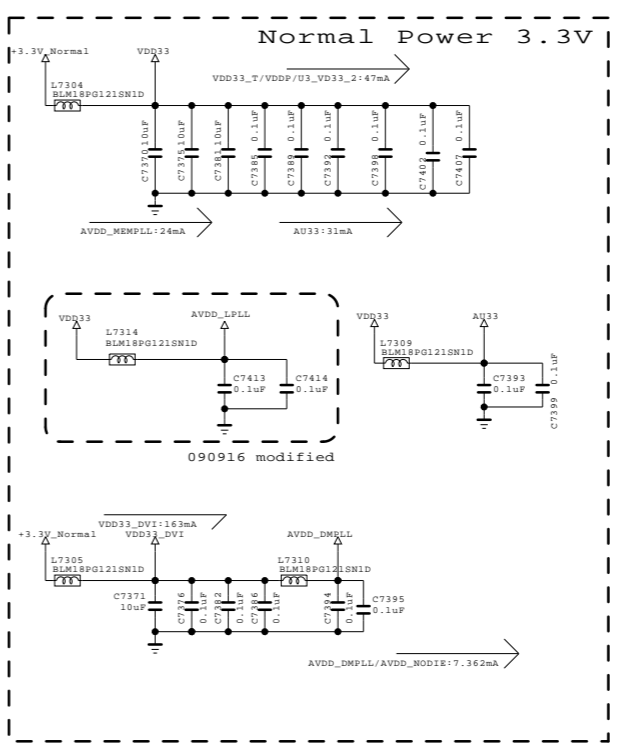
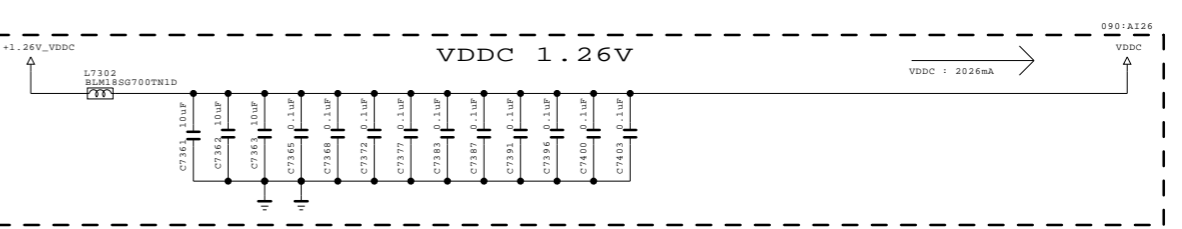
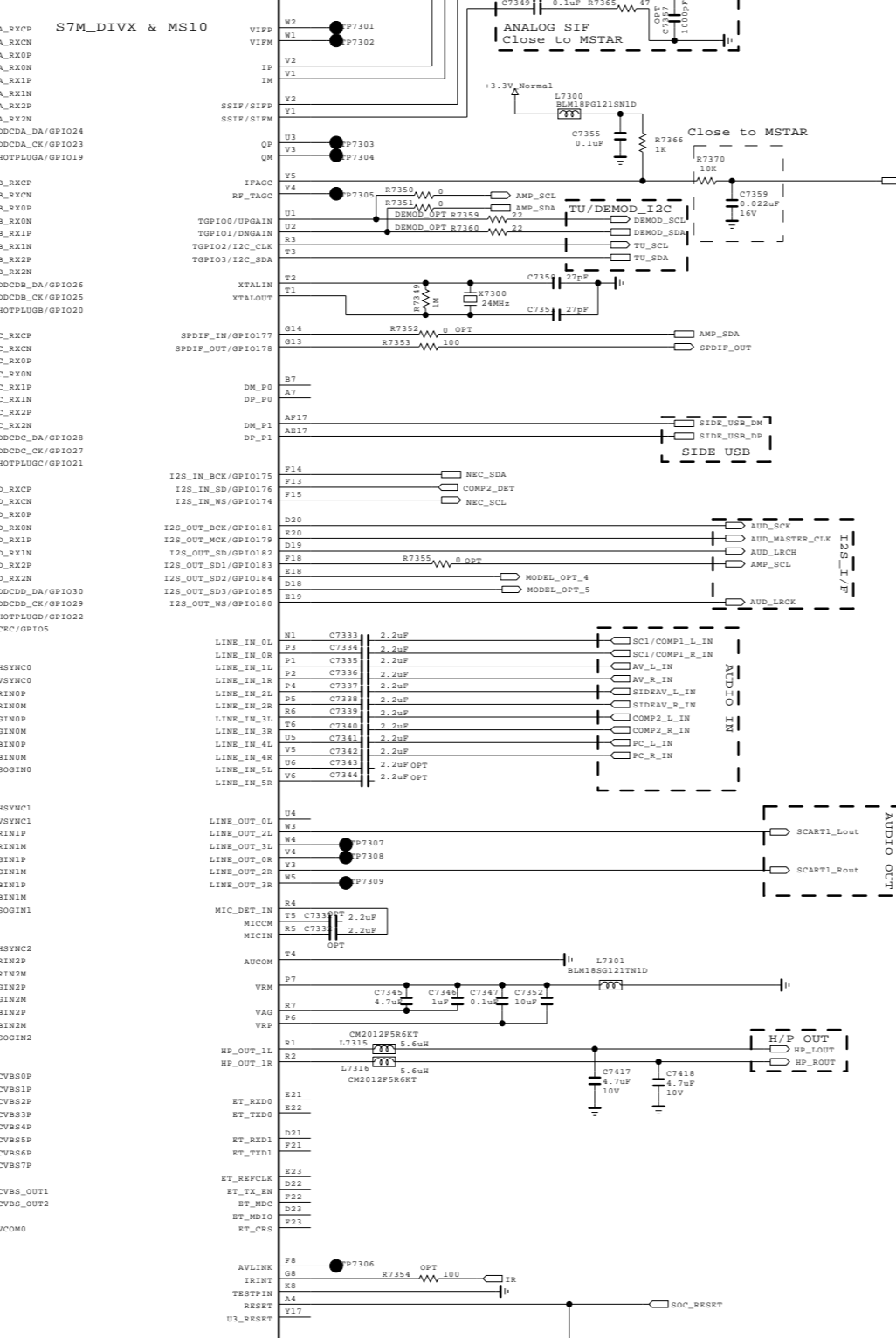
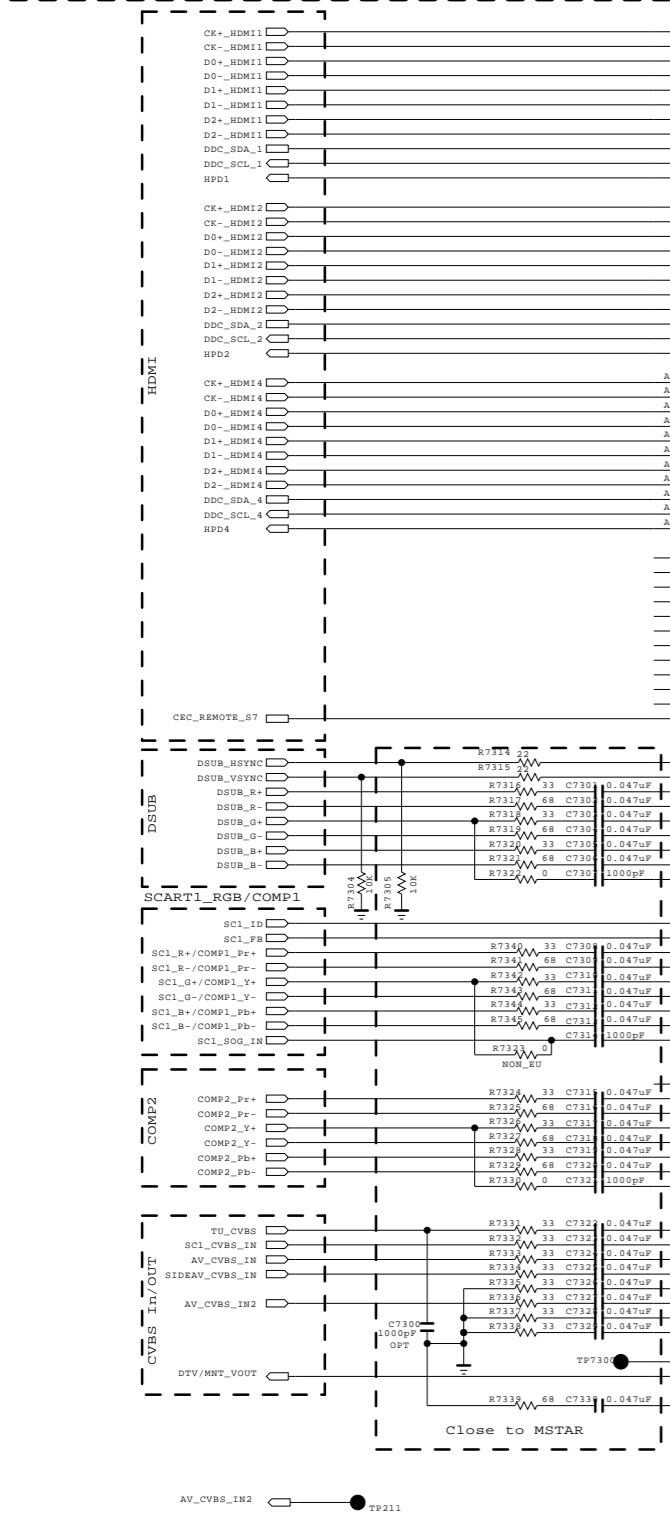


MODEL	GP2_Saturn7M	DATE	Ver. 1.0
BLOCK	NON WIRELESS READY	SHEET	54 /



MODEL OPTION			
PIN NAME	PIN NO.	HIGH	LOW
MODEL_OPT_0	G19	FRC	NO FRC
MODEL_OPT_1	C5	MINI LVDS	LVDS
MODEL_OPT_2	F7	DDR_512MB	DDR_256MB
MODEL_OPT_3	B6	FRD	HD
MODEL_OPT_4	R18	100/100Hz LVDS	50/60Hz LVDS
MODEL_OPT_5	D18	GIP	NON_GIP
MODEL_OPT_6	P9	OLED	LCD

IC101 LGE107D (S7M Divx\_Non RM)



THE  $\Delta$  SYMBOL MARK OF THIS SCHEMATIC DIAGRAM INCORPORATES SPECIAL FEATURES IMPORTANT FOR PROTECTION FROM X-RADIATION. FILRE AND ELECTRICAL SHOCK HAZARDS, WHEN SERVICING IF IS ESSENTIAL THAT ONLY MANUFACTURES SPECIFIED PARTS BE USED FOR THE CRITICAL COMPONENTS IN THE  $\Delta$  SYMBOL MARK OF THE SCHEMATIC.

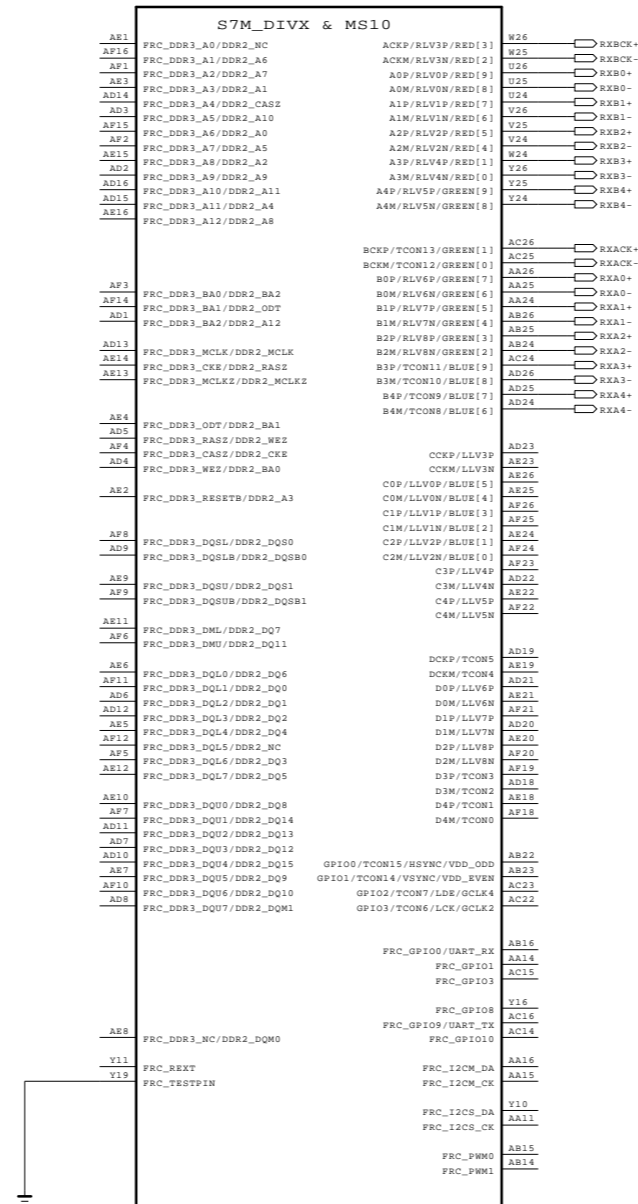
SECRET  
LGElectronics


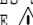


MODEL BLOCK	GP2 Saturn7M	DATE SHEET	Ver. 1.4
	MAIN_2	90	



IC101  
LGE107D (S7M Divx\_Non RM)

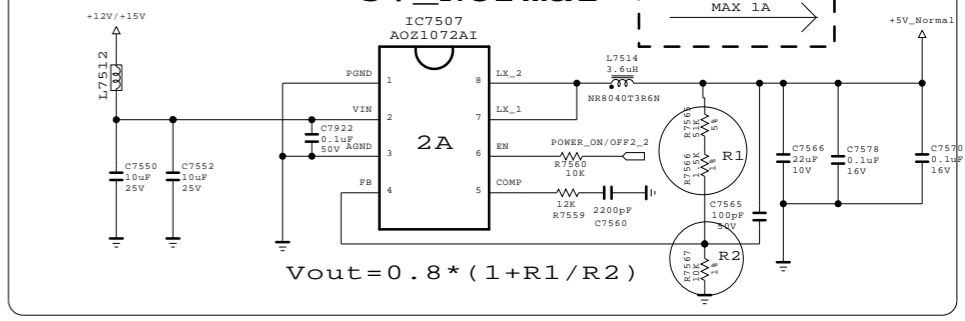
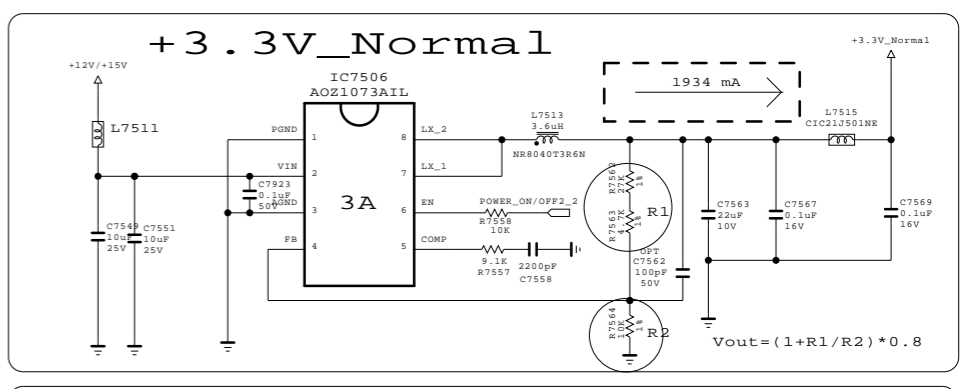
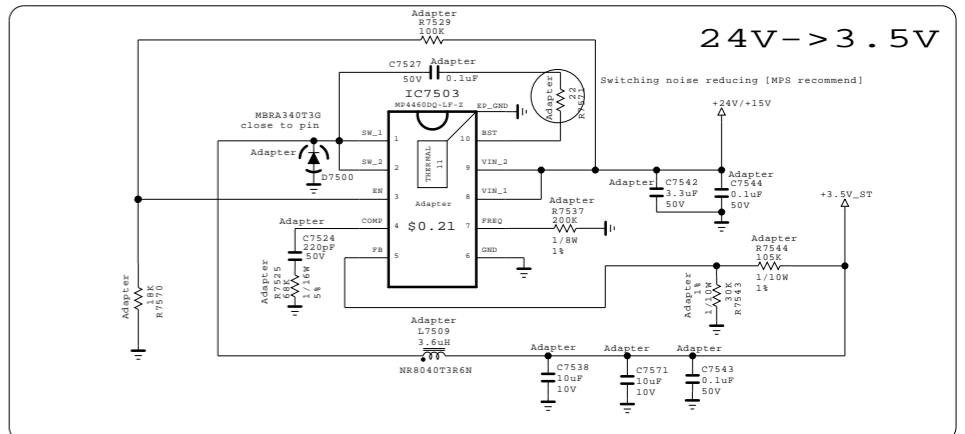
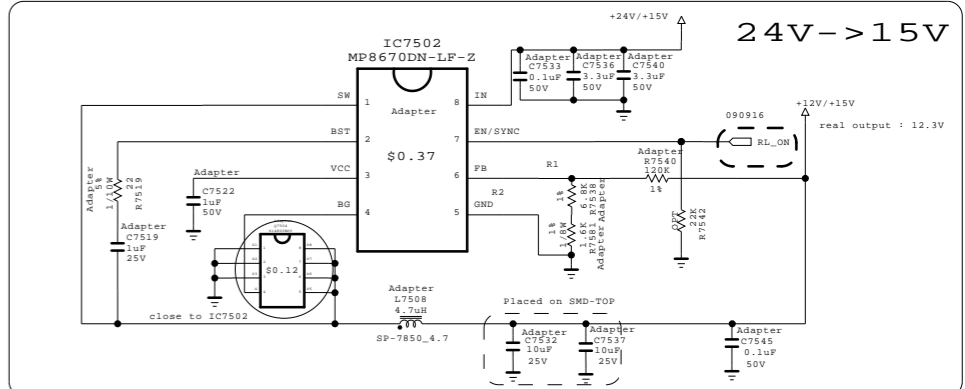
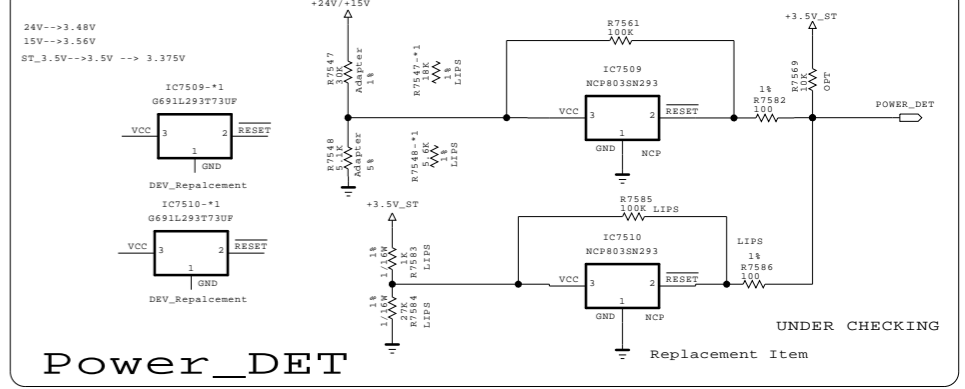
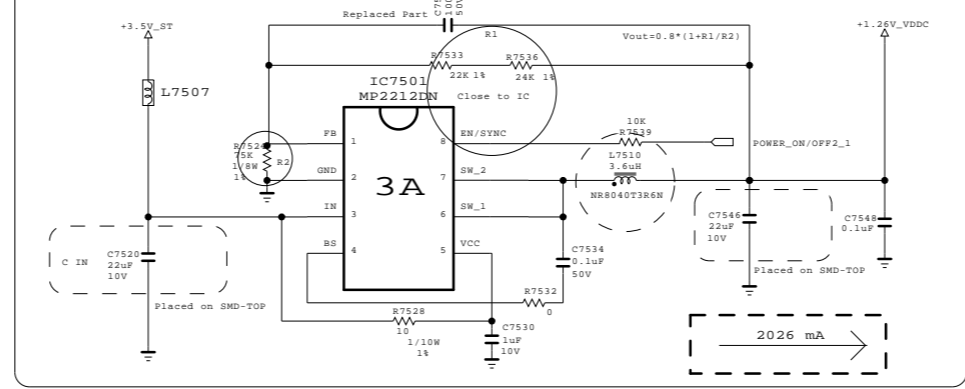
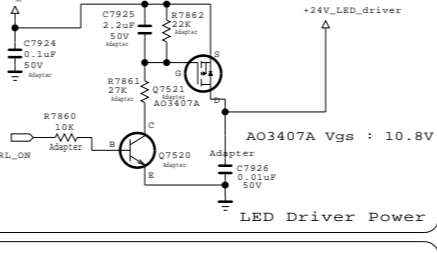
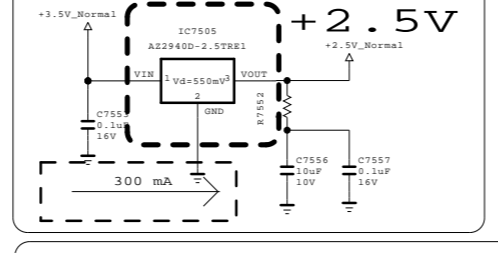
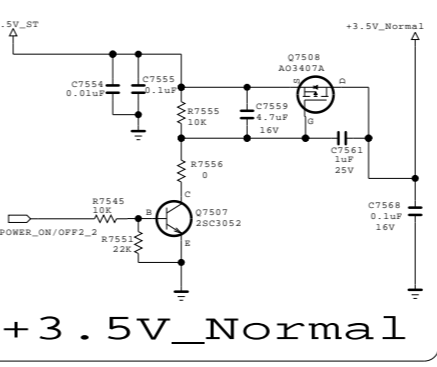
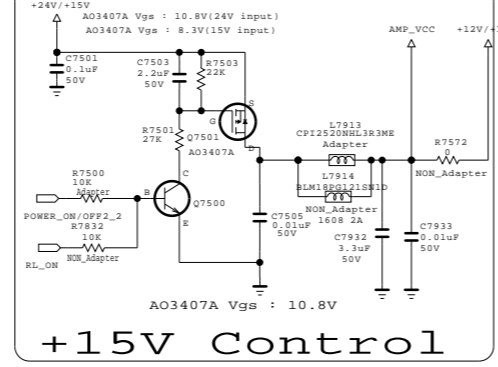
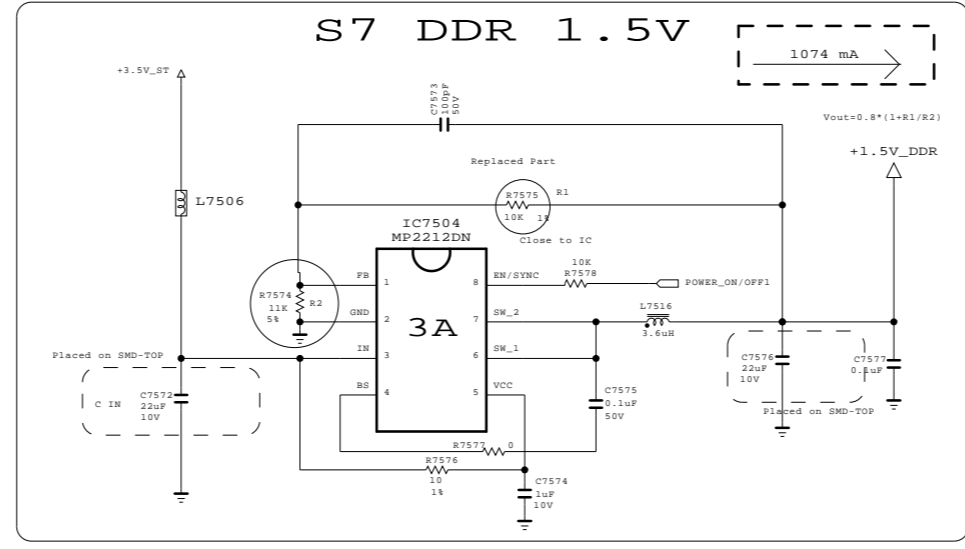
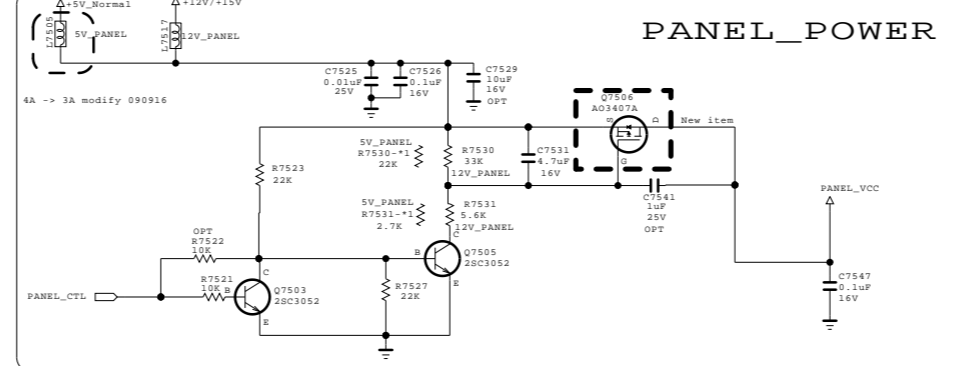
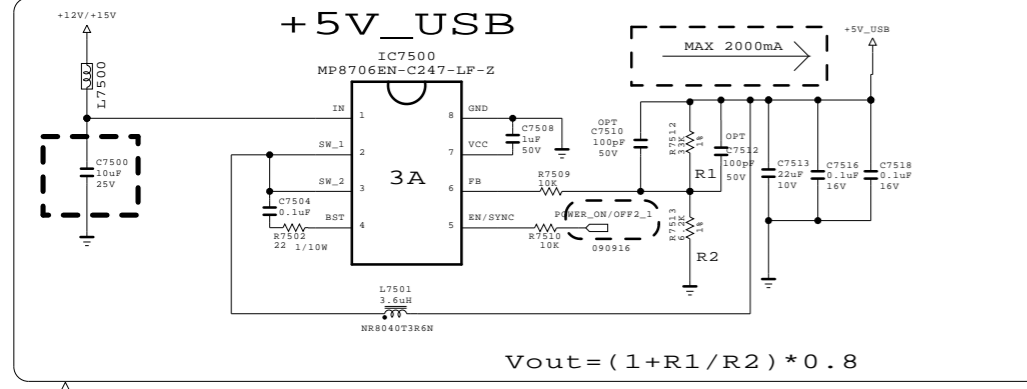
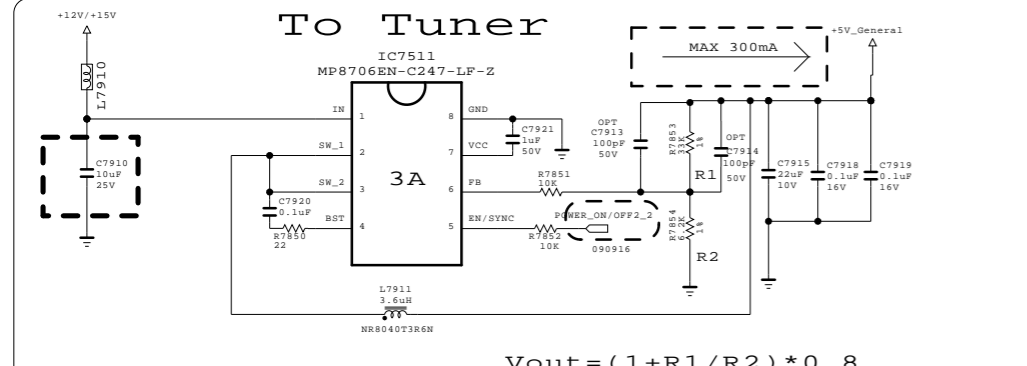
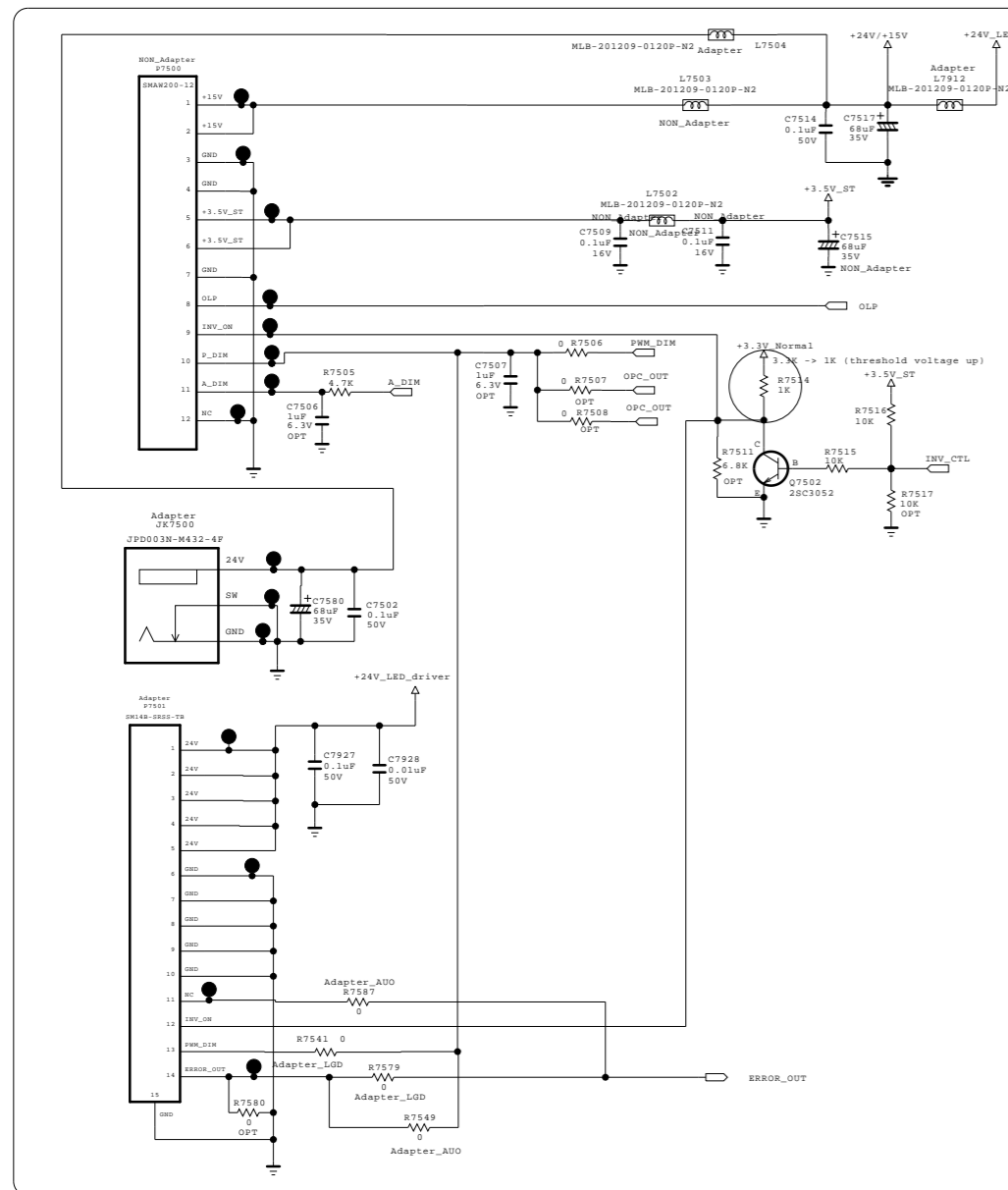


THE  SYMBOL MARK OF THIS SCHEMATIC DIAGRAM INCORPORATES SPECIAL FEATURES IMPORTANT FOR PROTECTION FROM X-RADIATION. FILRE AND ELECTRICAL SHOCK HAZARDS, WHEN SERVICING IF IS ESSENTIAL THAT ONLY MANUFACTURES SPECIFIED PARTS BE USED FOR THE CRITICAL COMPONENTS IN THE  SYMBOL MARK OF THE SCHEMATIC.

SECRET  
LGElectronics



MODEL	GP2_Saturn7M	DATE	Ver. 1.4
BLOCK	DDR3 (FRC)	SHEET	92 /



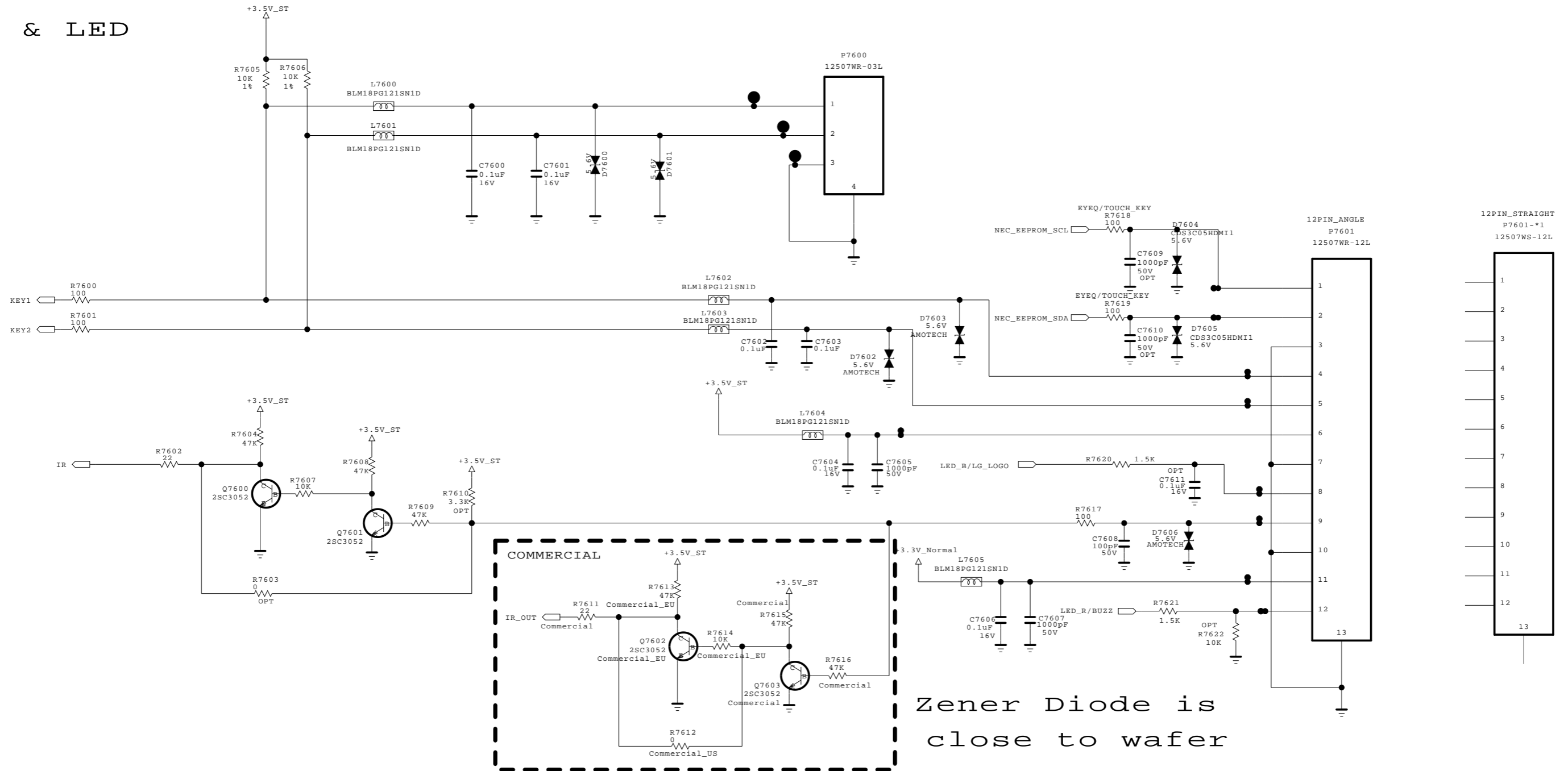
THE  $\Delta$  SYMBOL MARK OF THIS SCHEMATIC DIAGRAM INCORPORATES SPECIAL FEATURES IMPORTANT FOR PROTECTION FROM X-RADIATION. FILRE AND ELECTRICAL SHOCK HAZARDS, WHEN SERVICING IF IS ESSENTIAL THAT ONLY MANUFACTURES SPECIFIED PARTS BE USED FOR THE CRITICAL COMPONENTS IN THE  $\Delta$  SYMBOL MARK OF THE SCHEMATIC.

**SECRET**  
LGElectronics



MODEL	GP2_Saturn7	DATE	Ver. 1.00
BLOCK	POWER_SMALL	SHEET	92

# CONTROL IR & LED

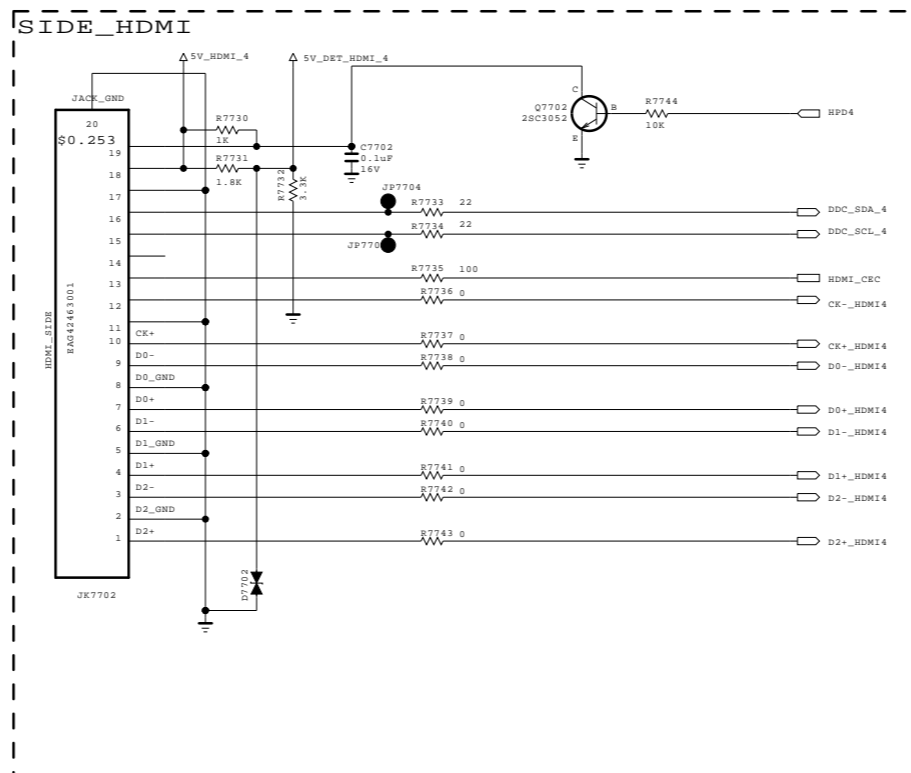
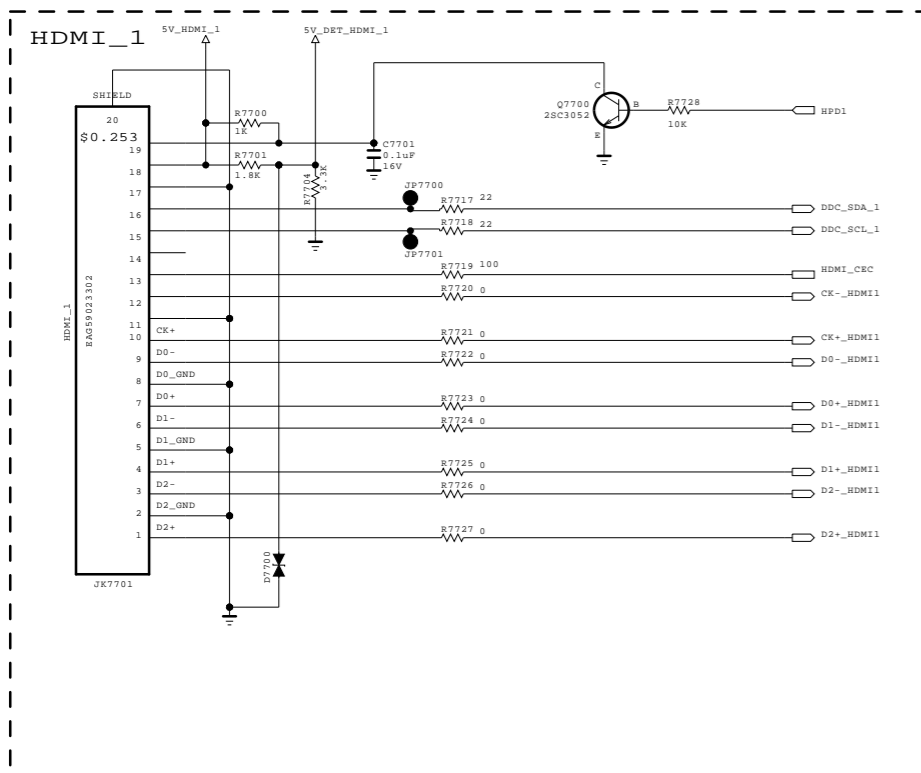


Zener Diode is  
close to wafer

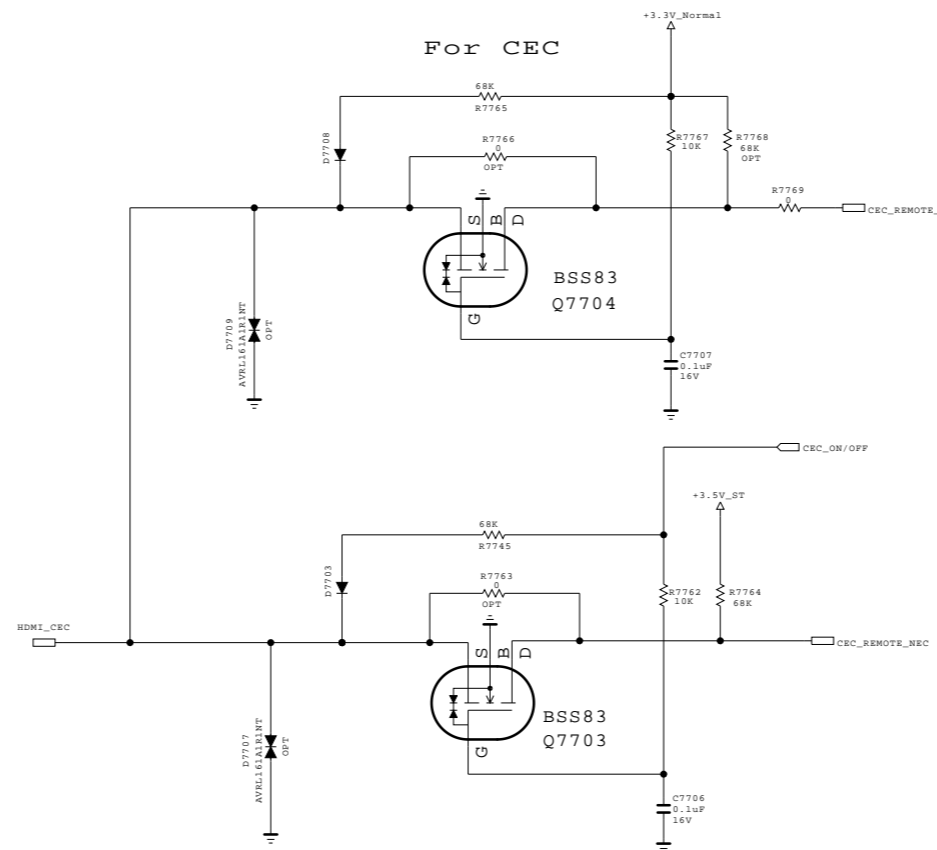
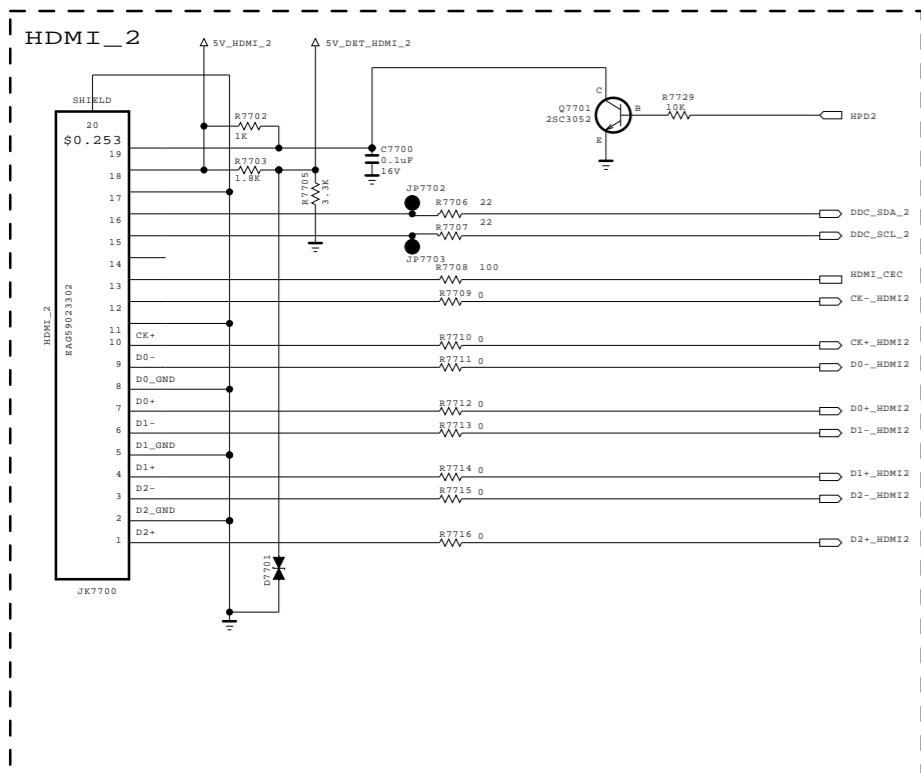
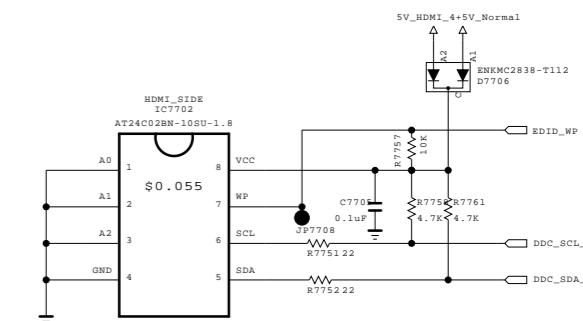
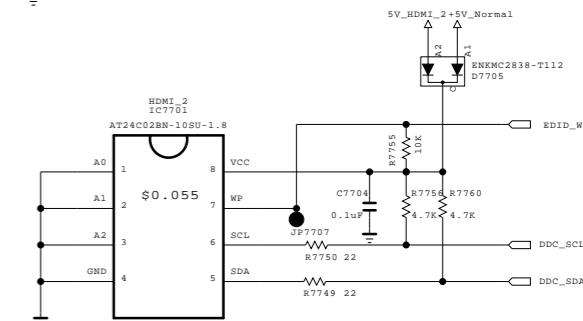
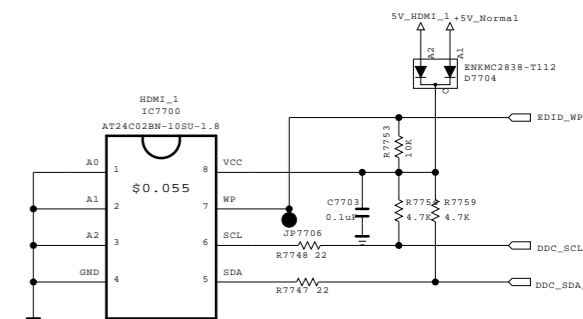
THE ⚠ SYMBOL MARK OF THIS SCHEMATIC DIAGRAM INCORPORATES SPECIAL FEATURES IMPORTANT FOR PROTECTION FROM X-RADIATION. FILRE AND ELECTRICAL SHOCK HAZARDS, WHEN SERVICING IF IS ESSENTIAL THAT ONLY MANUFACTURES SPECIFIED PARTS BE USED FOR THE CRITICAL COMPONENTS IN THE ⚠ SYMBOL MARK OF THE SCHEMATIC.

SECRET	
LG Electronics	

MODEL	GP2_Saturn7M	DATE	Ver. 1.2
BLOCK	IR & LED	SHEET	6 /



HDMI EEPROM



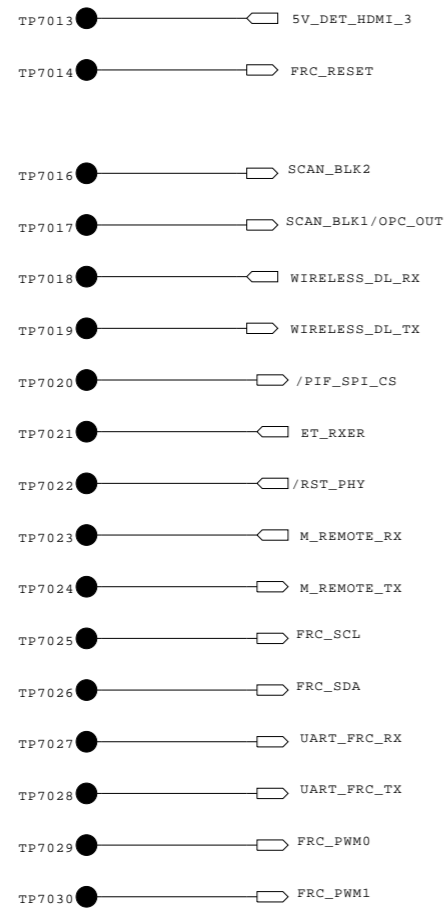
THE SYMBOL MARK OF THIS SCHEMATIC DIAGRAM INCORPORATES SPECIAL FEATURES IMPORTANT FOR PROTECTION FROM X-RADIATION. FILRE AND ELECTRICAL SHOCK HAZARDS, WHEN SERVICING IF IS ESSENTIAL THAT ONLY MANUFACTURES SPECIFIED PARTS BE USED FOR THE CRITICAL COMPONENTS IN THE SYMBOL MARK OF THE SCHEMATIC.

SECRET  
LGElectronics

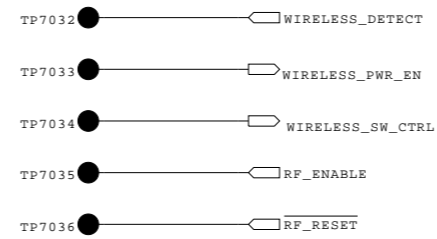


MODEL	GP2_Saturn7M	DATE	Ver. 1.2
BLOCK	HDMI	SHEET	94

## MAIN1 BLOCK



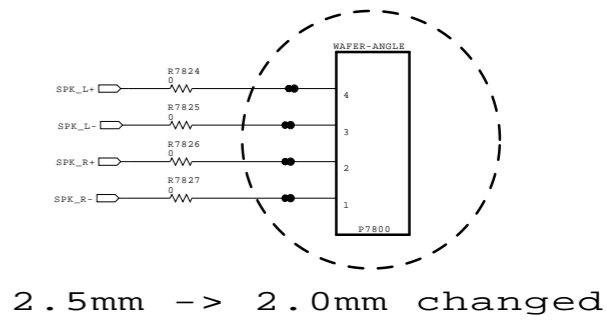
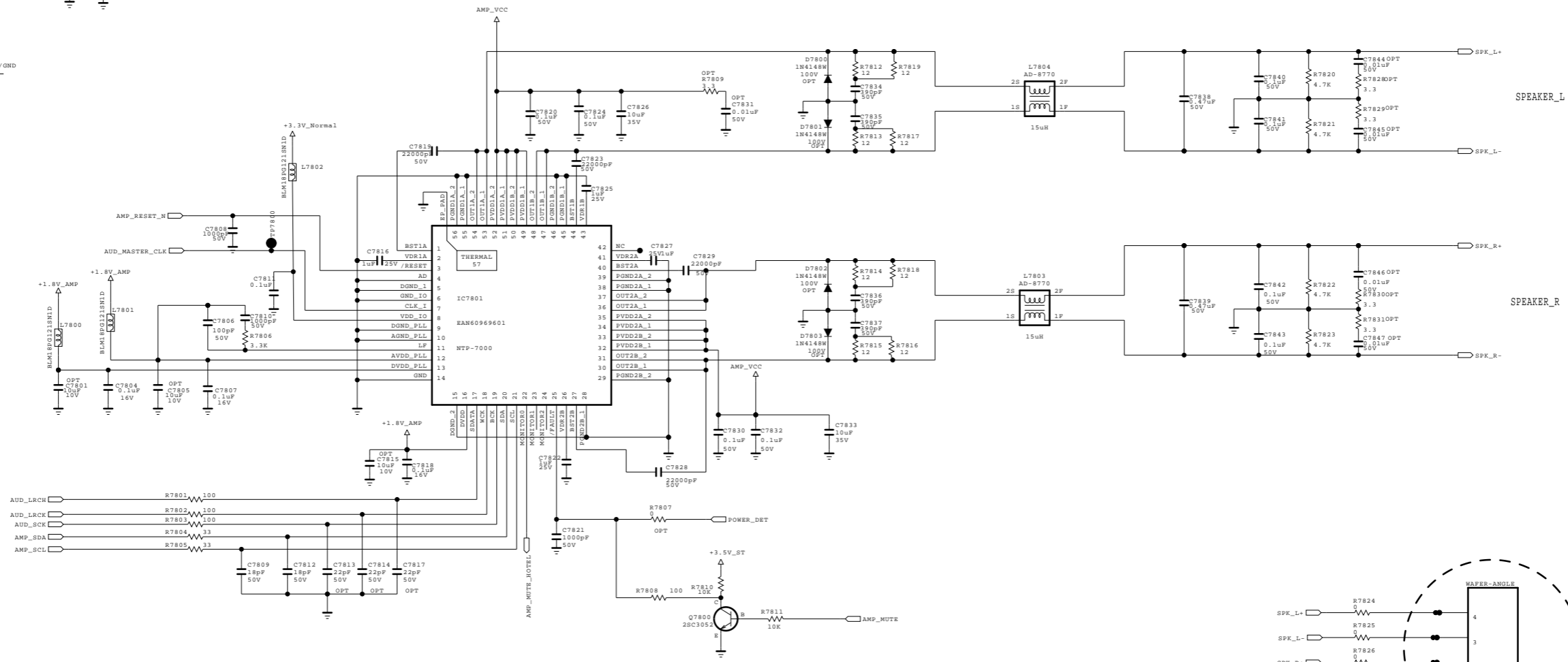
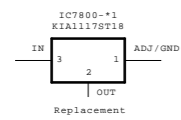
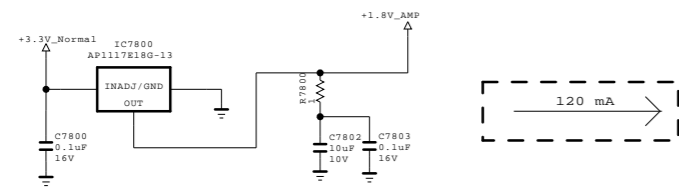
## MICOM BLOCK



THE ⚠ SYMBOL MARK OF THIS SCHEMATIC DIAGRAM INCORPORATES SPECIAL FEATURES IMPORTANT FOR PROTECTION FROM X-RADIATION. FILRE AND ELECTRICAL SHOCK HAZARDS, WHEN SERVICING IF IS ESSENTIAL THAT ONLY MANUFATURES SPECIFIED PARTS BE USED FOR THE CRITICAL COMPONENTS IN THE ⚠ SYMBOL MARK OF THE SCHEMATIC.

SECRET	LG ELECTRONICS
LGElectronics	

MODEL	GP2_Saturn7	DATE	Ver. 1.0
BLOCK	TP_SMALL	SHEET	75 /



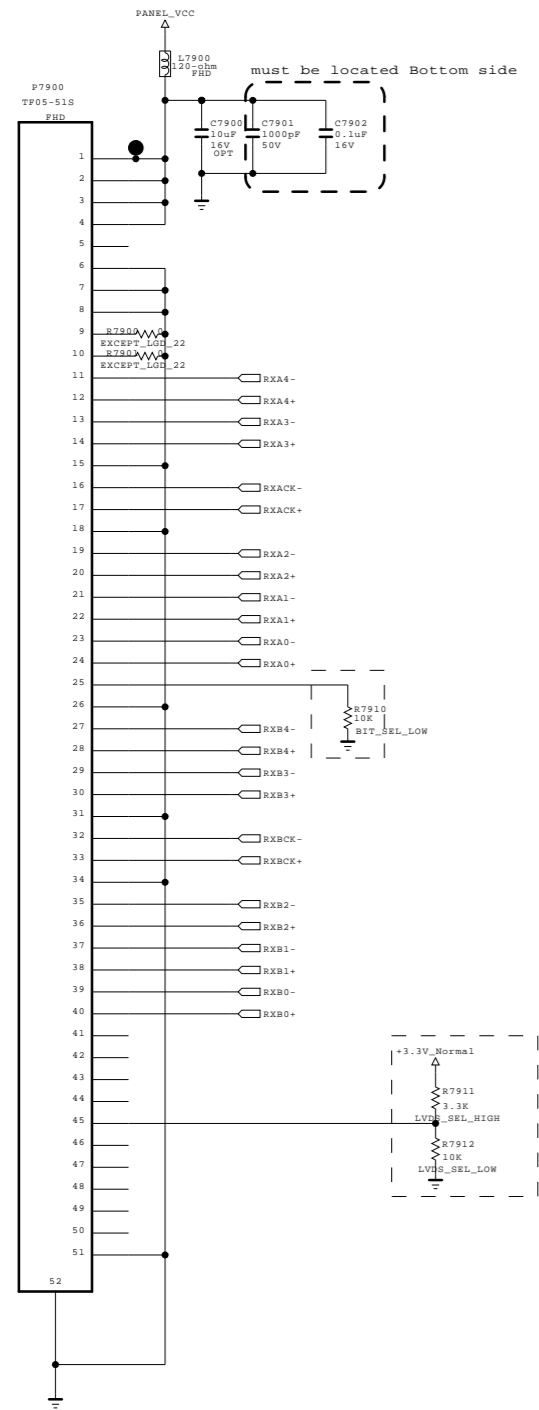
THE SYMBOL MARK OF THIS SCHEMATIC DIAGRAM INCORPORATES SPECIAL FEATURES IMPORTANT FOR PROTECTION FROM X-RADIATION. FILRE AND ELECTRICAL SHOCK HAZARDS, WHEN SERVICING IF IS ESSENTIAL THAT ONLY MANUFACTURES SPECIFIED PARTS BE USED FOR THE CRITICAL COMPONENTS IN THE SYMBOL MARK OF THE SCHEMATIC.

**SECRET**  
LGElectronics

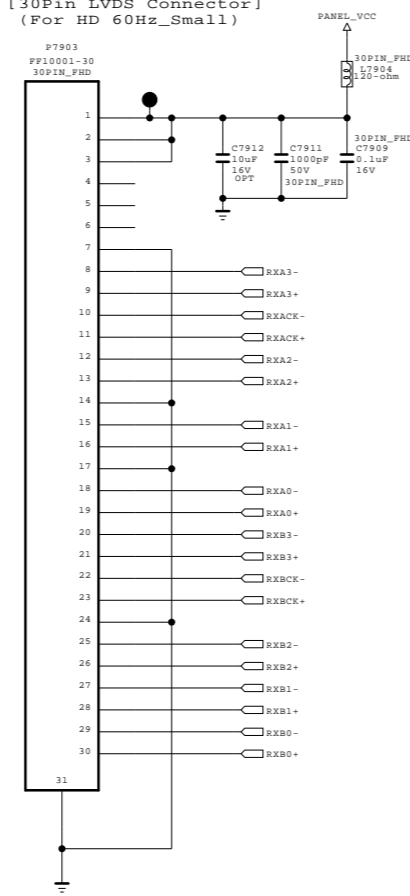


MODEL	GP2_Saturn7M	DATE	Ver. 1.1
BLOCK	AUDIO[NTP]	SHEET	96 /

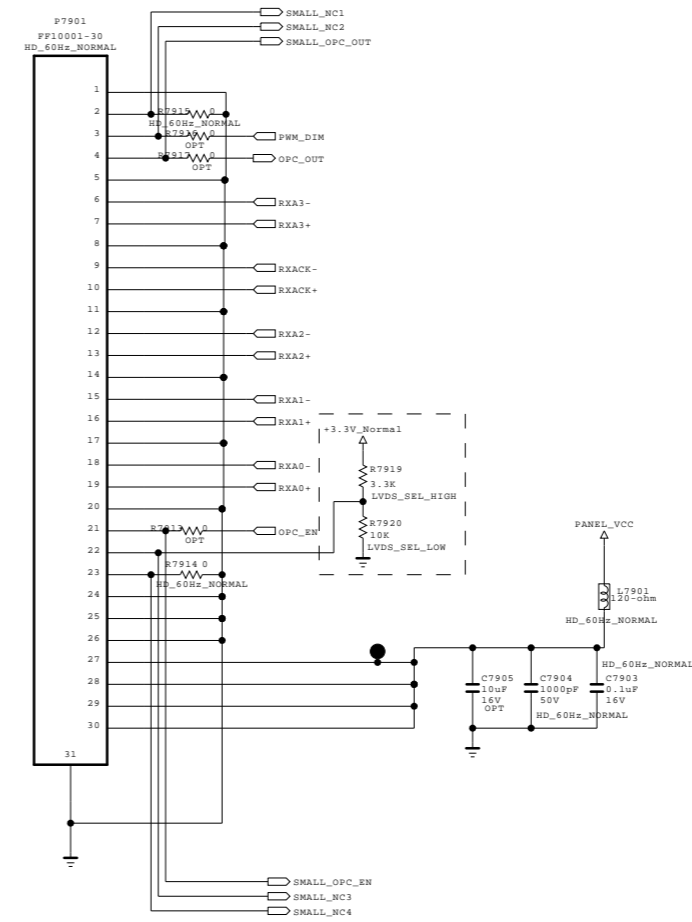
[51Pin LVDS Connector]  
(For FHD 60Hz)



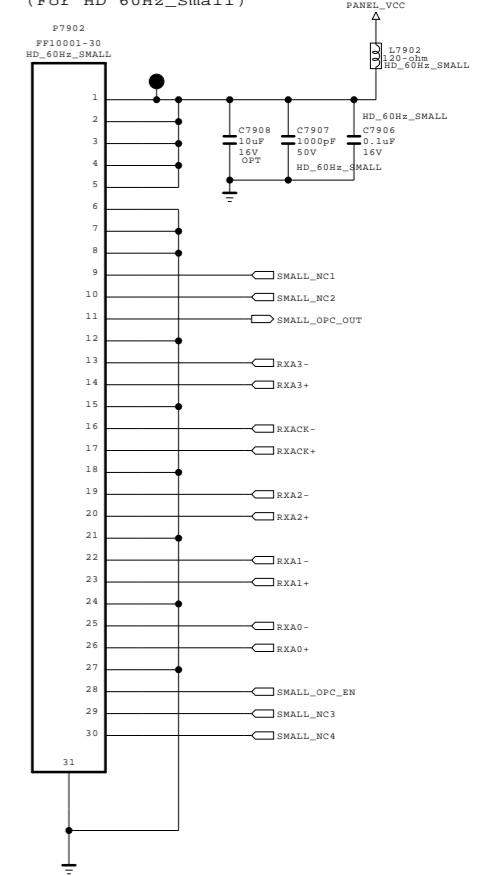
[30Pin LVDS Connector]  
(For HD 60Hz\_Small)



[30Pin LVDS Connector]  
(For HD 60Hz\_Normal)



[30Pin LVDS Connector]  
(For HD 60Hz\_Small)

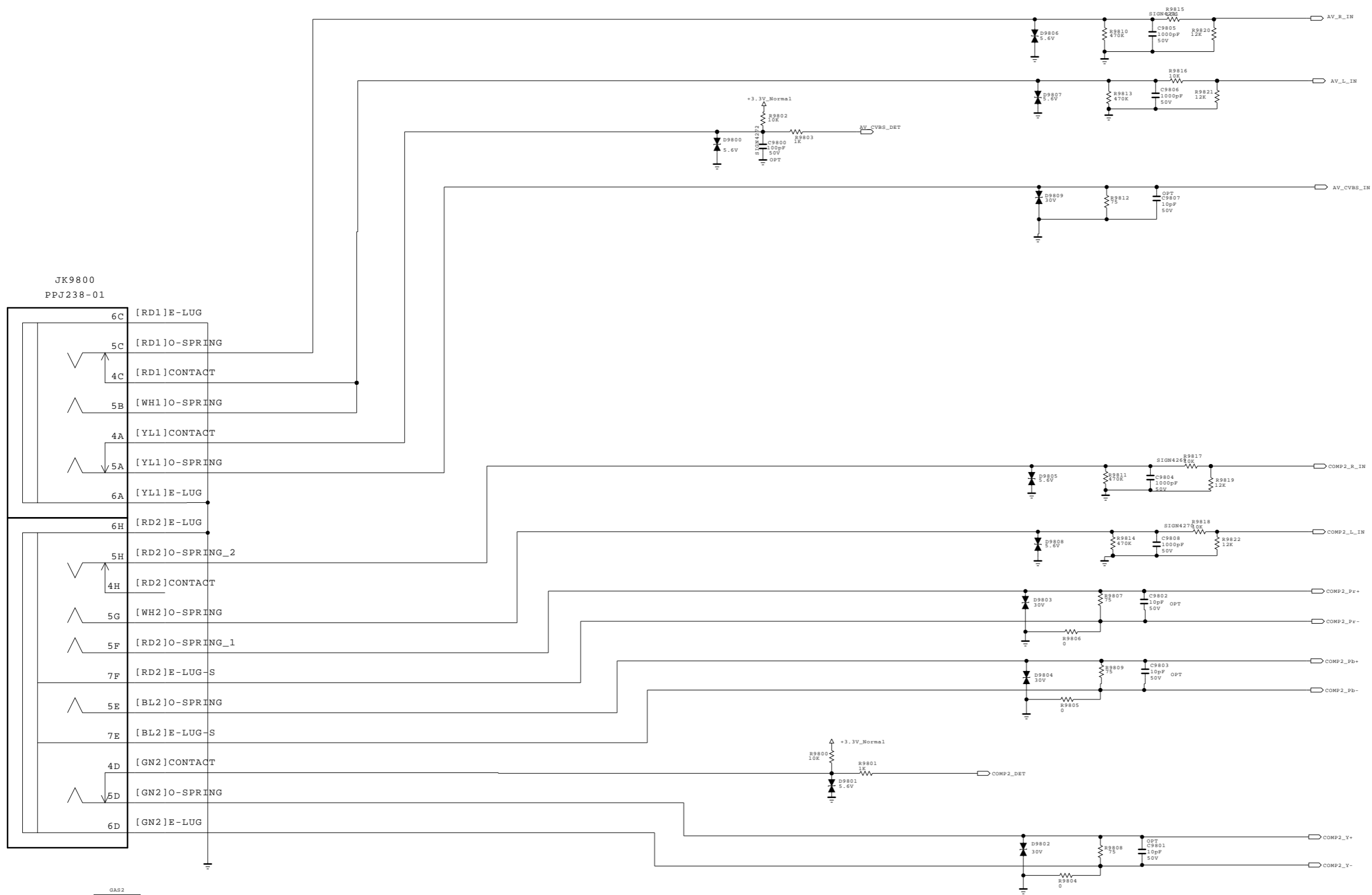


THE SYMBOL MARK OF THIS SCHEMATIC DIAGRAM INCORPORATES SPECIAL FEATURES IMPORTANT FOR PROTECTION FROM X-RADIATION. FILRE AND ELECTRICAL SHOCK HAZARDS, WHEN SERVICING IF IS ESSENTIAL THAT ONLY MANUFACTURES SPECIFIED PARTS BE USED FOR THE CRITICAL COMPONENTS IN THE SYMBOL MARK OF THE SCHEMATIC.

SECRET  
LGElectronics

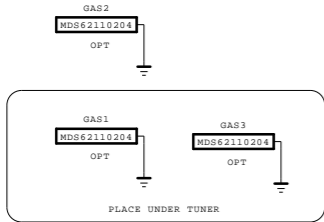


MODEL	GP2_Saturn7M	DATE	Ver. 1.0
BLOCK	LVDS	SHEET	33 /

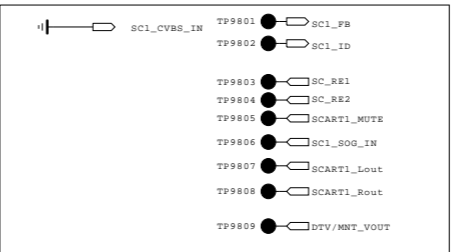


JK9800  
PPJ238-01

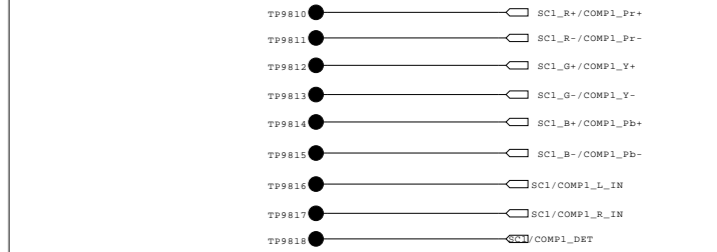
- 6C [RD1]E-LUG
- 5C [RD1]O-SPRING
- 4C [RD1]CONTACT
- 5B [WH1]O-SPRING
- 4A [YL1]CONTACT
- 5A [YL1]O-SPRING
- 6A [YL1]E-LUG
- 6H [RD2]E-LUG
- 5H [RD2]O-SPRING\_2
- 4H [RD2]CONTACT
- 5G [WH2]O-SPRING
- 5F [RD2]O-SPRING\_1
- 7F [RD2]E-LUG-S
- 5E [BL2]O-SPRING
- 7E [BL2]E-LUG-S
- 4D [GN2]CONTACT
- 5D [GN2]O-SPRING
- 6D [GN2]E-LUG



SCART OPTION BLOCK



Component2 OPTION BLOCK



SMALL\_US\_KR\_EM\_JACK\_PACK\_HONGSU\_090818

THE SYMBOL MARK OF THIS SCHEMATIC DIAGRAM INCORPORATES SPECIAL FEATURES IMPORTANT FOR PROTECTION FROM X-RADIATION. FILRE AND ELECTRICAL SHOCK HAZARDS, WHEN SERVICING IF IS ESSENTIAL THAT ONLY MANUFACTURES SPECIFIED PARTS BE USED FOR THE CRITICAL COMPONENTS IN THE SYMBOL MARK OF THE SCHEMATIC.

SECRET  
LGElectronics



MODEL	GP2_Saturn7M	DATE	Ver. 1.0
BLOCK	US_REAR_COMP_AV_SMALL	SHEET	98 /



