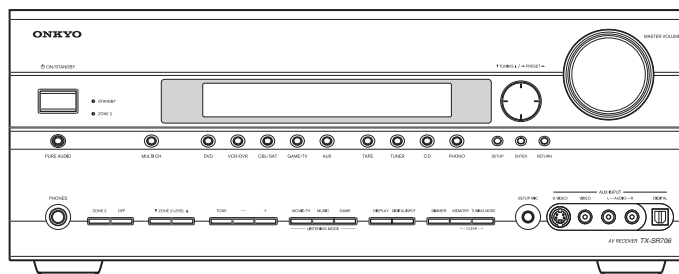


ONKYO SERVICE MANUAL

AV RECEIVER MODEL TX-SR706 MODEL TX-SA706



RC-717M


TX-SR706 Black, Golden and Silver models

B MDC, S MDD, G MDT	120V AC, 60Hz
B MMP, MMA, S MMP, MMA	220-240V AC, 50Hz
B MMO, S MMO	220-240V AC, 50/60Hz
G MMQ, MMT	220-240V AC, 50/60Hz

TX-SA706 Golden model

G MMR	220-240V AC, 50/60Hz
-------	----------------------

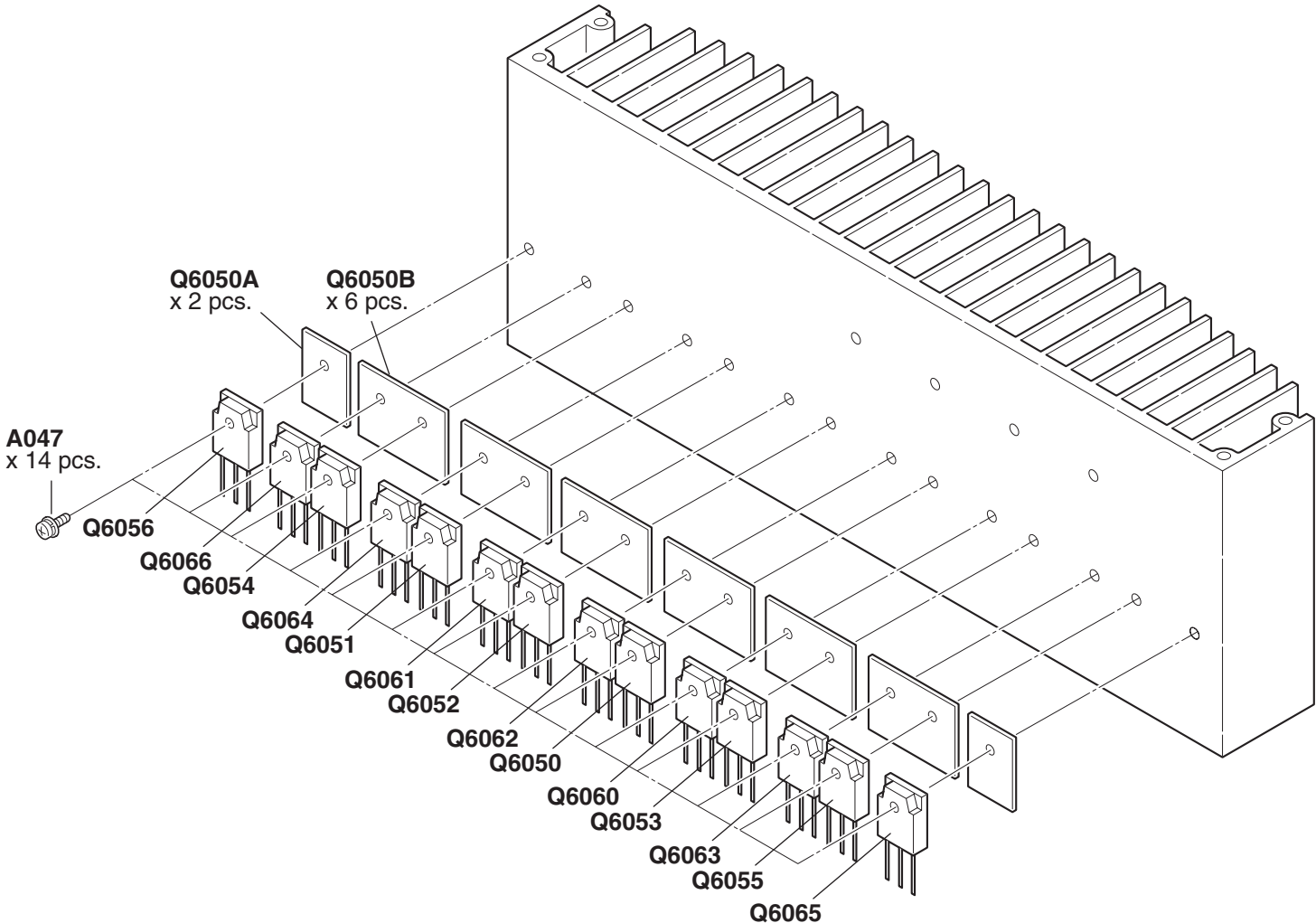
SAFETY-RELATED COMPONENT WARNING!!

COMPONENTS IDENTIFIED BY MARK  ON THE SCHEMATIC DIAGRAM AND IN THE PARTS LIST ARE CRITICAL FOR RISK OF FIRE AND ELECTRIC SHOCK. REPLACE THESE COMPONENTS WITH ONKYO PARTS WHOSE PART NUMBERS APPEAR AS SHOWN IN THIS MANUAL.

MAKE LEAKAGE-CURRENT OR RESISTANCE MEASUREMENTS TO DETERMINE THAT EXPOSED PARTS ARE ACCEPTABLY INSULATED FROM THE SUPPLY CIRCUIT BEFORE RETURNING THE APPLIANCE TO THE CUSTOMER.

EXPLODED VIEWS-2

<Fig-1>



A B C D

BLOCK DIAGRAMS-1
AUDIO SECTION

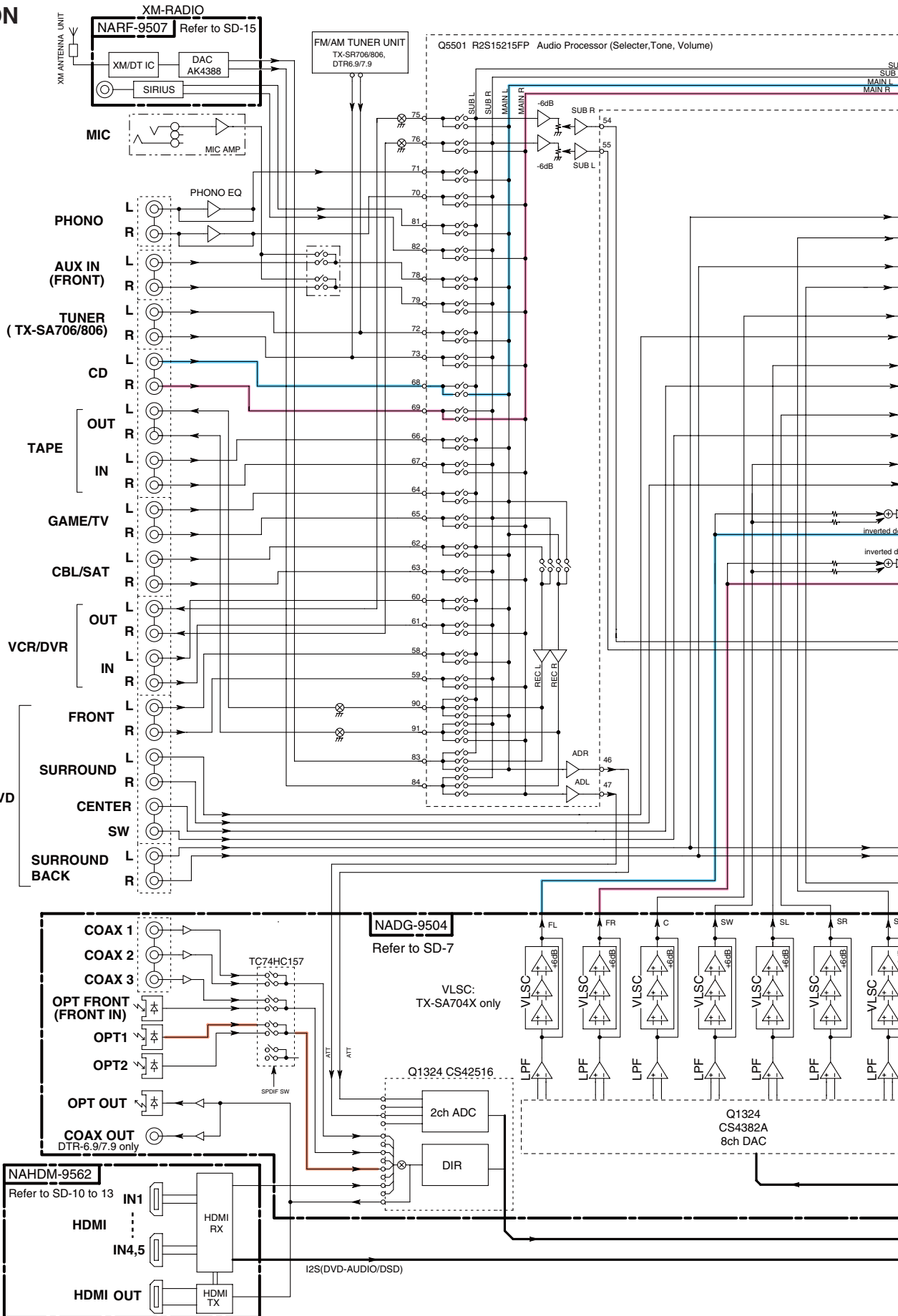
1

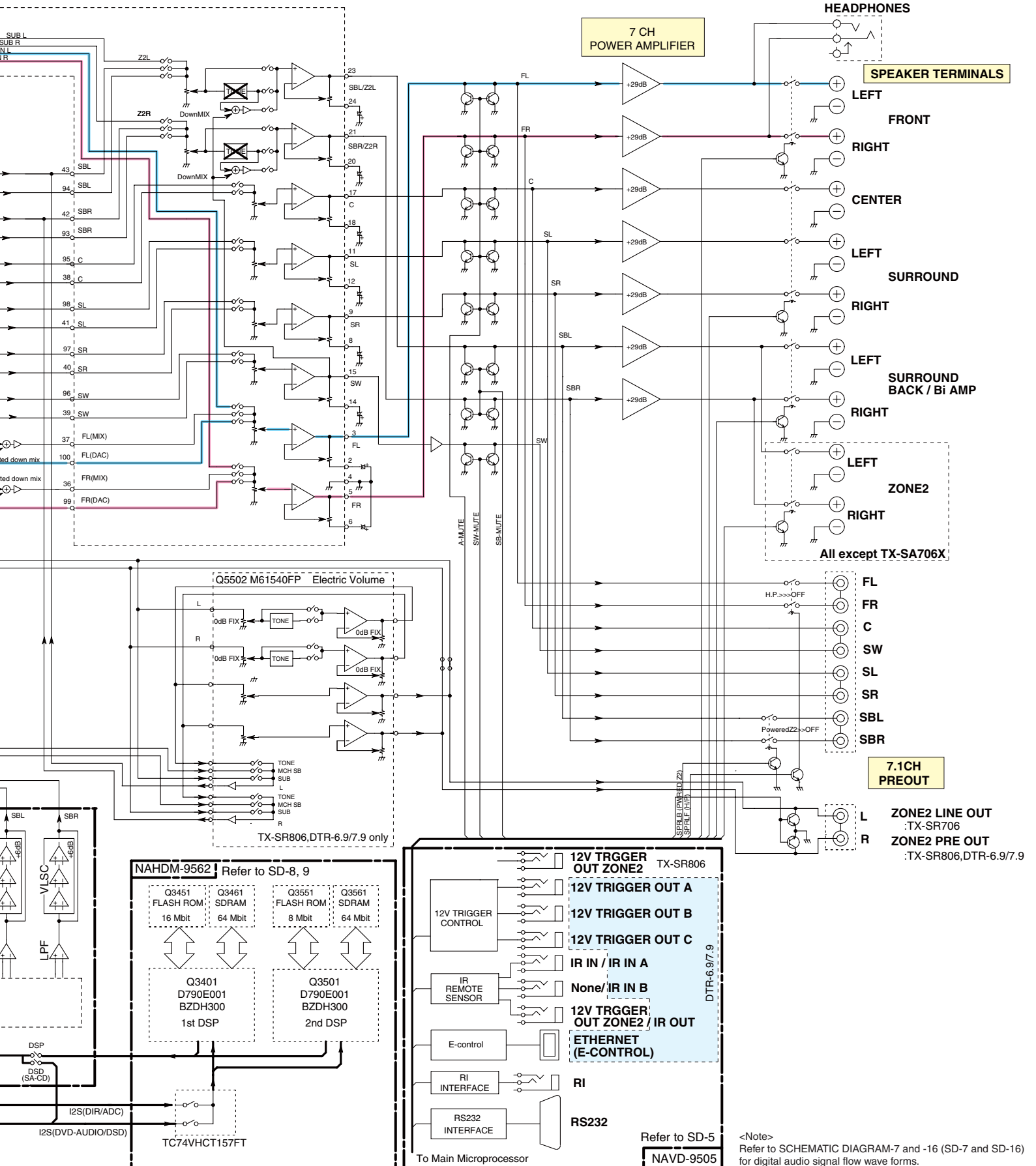
2

3

4

5





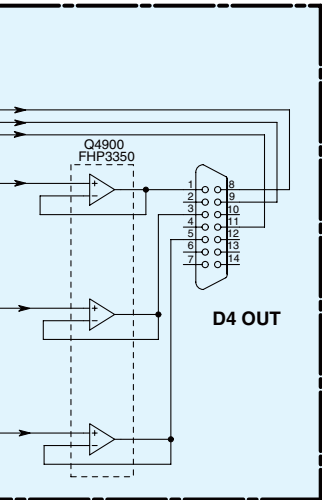
<Note>
Refer to SCHEMATIC DIAGRAM-7 and -16 (SD-7 and SD-16) for digital audio signal flow wave forms.

E

F

G

H

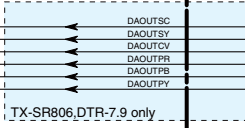


NAHDM-9562/NAHDM-9702

TX-SR706, TX-SA706: NAHDM-9562
TX-SR806, TX-SA806: NAHDM-9702

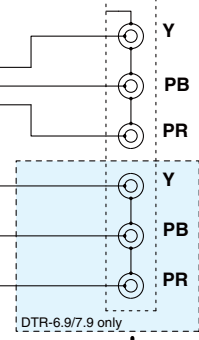
HDMI BOARD
Refer to BLOCK DIAGRAM-3
and SD-10 to SD-13

<Note>
Refer to SCHEMATIC DIAGRAM-5 and -16
(SD-5 and SD-16)
for analog video signal waveforms.



ADINPY
ADINPB
ADINPR
ADINCV
ADINSY
ADINSC

ANALOG VIDEO BOARD
Refer to SD-5 and SD-6



**COMPONENT
OUTPUT**

**COMPOSITE
VIDEO OUTPUT**

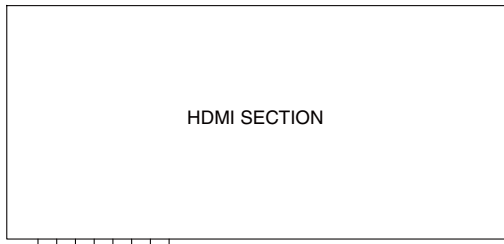
**S VIDEO
OUTPUT**

OPROCESSOR.

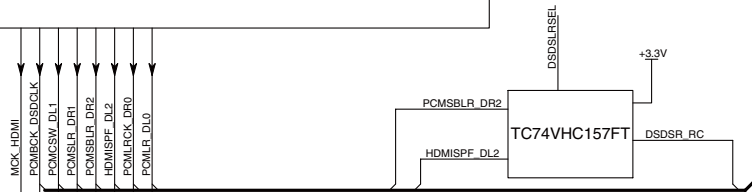
A B C D

BLOCK DIAGRAMS-4
DSP SECTION

NAHDM-9562/NAHDM-9702 TX-SR706, TX-SA706: NAHDM-9562
TX-SR806, TX-SA806: NAHDM-9702
Refer to SD-8, 9

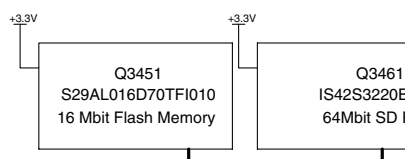


DSPFLR
CX_LRCK
CX_SCLK
RMCK



MCK_HDMI
PCMBCK_DSCLK
PCMSW_DL1
PCMSLR_DR1
PCMSBLR_DR2
HDMISPF_DL2
PCMLRCK_DR0
PCMLR_DL0

PCMSBLR_DR2
HDMISPF_DL2
DSDSLRSEL
+3.3V
DSDSR_RC



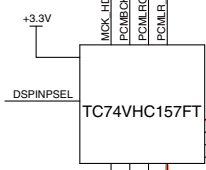
Q3451
S29AL016D70TFI010
16 Mbit Flash Memory

Q3461
IS42S3220E-
64Mbit SD R

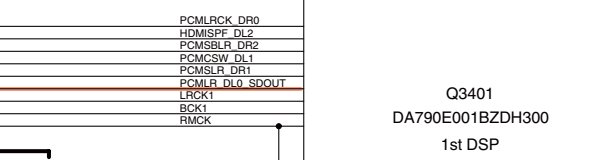
+1.26V

+3.3V

+3.3V



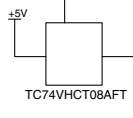
+3.3V
DSPINPSEL
MCK_HDMI
PCMBCK_DSCLK
PCMLRCK_DR0
PCMLR_DL0



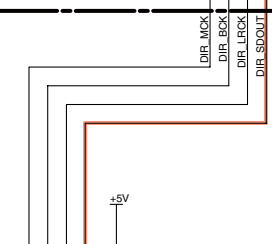
Q3401
DA790E001BZDH300
1st DSP

PCMLRCK_DR0
HDMISPF_DL2
PCMSBLR_DR2
PCMSW_DL1
PCMSLR_DR1
PCMLR_DL0_SDOOUT
LRCK1
BCK1
RMCK

NADG-9504 Refer to SD-7

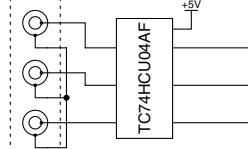
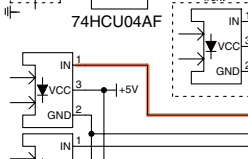
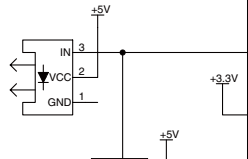


TC74VHCT08AFT

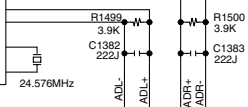


Q1324
CS42516-CQ
DIR

DIR_MCK
DIR_BCK
DIR_LRCK
DIR_SDOOUT



TC74HCU04AF

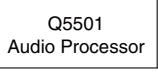


R1499 3.9K
C1382 222J
R1500 3.9K
C1383 222J

24.576MHz



NJM4580M-D



Q5501
Audio Processor

NAAF-9477 Refer to SD-1

1

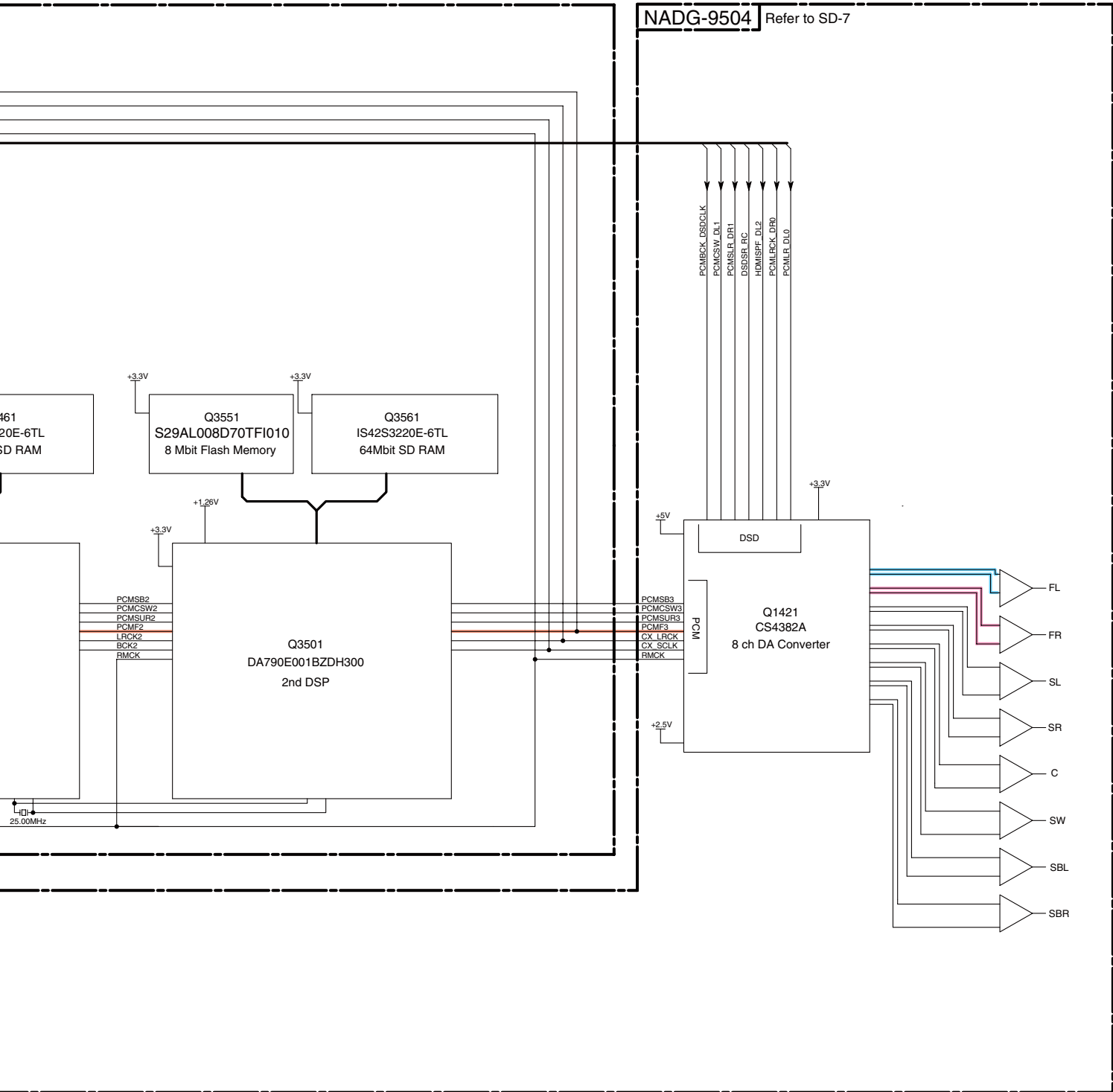
2

3

4

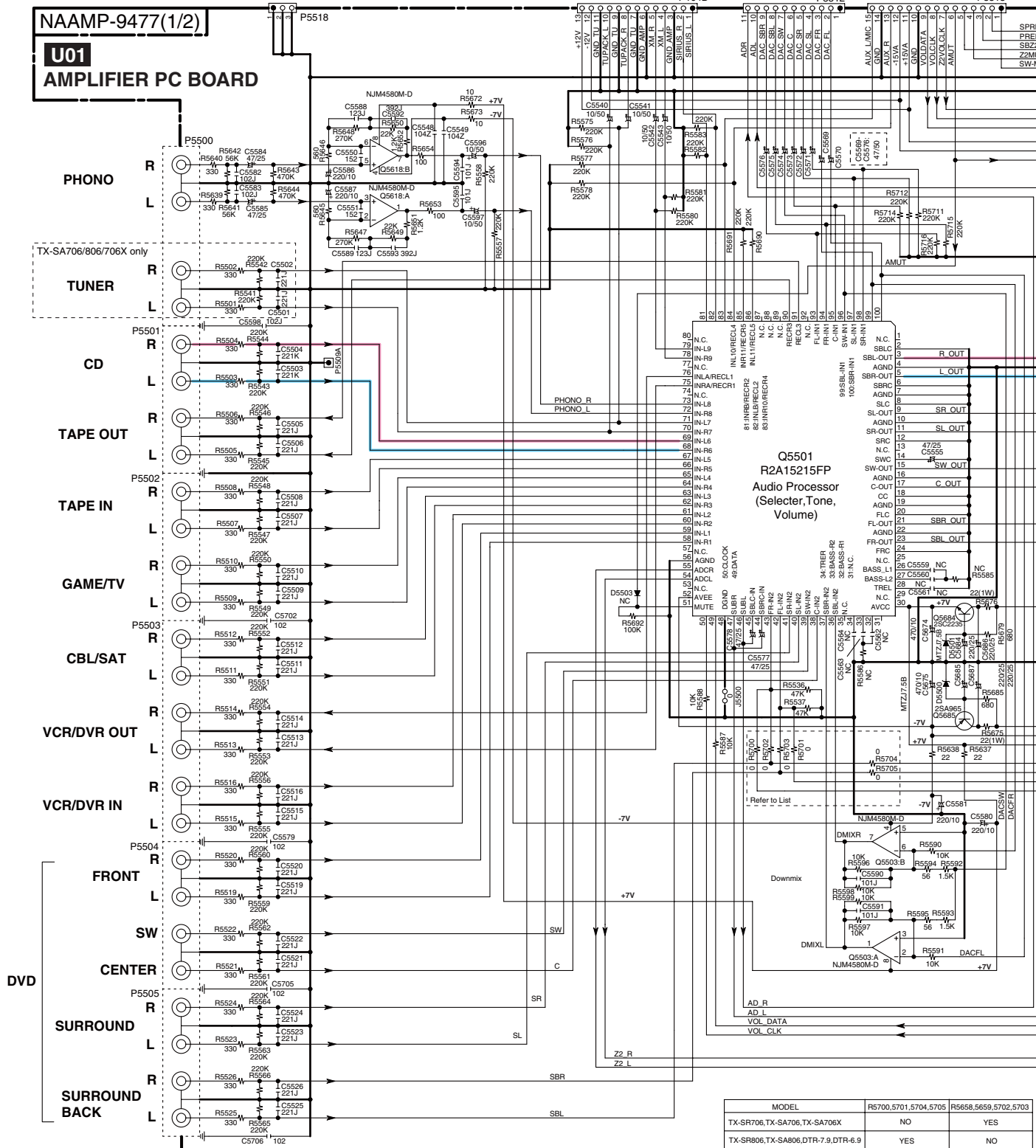
5

COAX IN
OPT IN
COAX OUT
OPT OUT



<Note>
 Refer to SCHEMATIC DIAGRAM-7 and -16 (SD-7 and SD-16)
 for digital audio signal flow wave forms.

SCHEMATIC DIAGRAMS-1 (SD-1)
AUDIO SECTION



MODEL	DEST.	R5670	J5999	R5671	J5994	R5664	J5997	R5663	J5998	R5665	J5995	R5662	J5996
TX-SR706, DTR-6.9	ALL	2.2(2W)	---	2.2(2W)	---	2.2(2W)	---	2.2(2W)	---	2.2(2W)	---	2.2(2W)	---
TX-SA706X	MR	---	YES	15(2W)	---	---	YES	---	YES	15(2W)	---	---	YES
TX-SR806, DTR-7.9	ALL	---	YES	2.2(2W)	---	---	---	5W-15	---	---	---	---	YES
TX-SA806	MR	---	YES	6.8(2W)	---	---	---	5W-15	---	6.8(2W)	---	---	YES

MODEL	R5700,5701,5704,5705	R5658,5659,5702,5703
TX-SR706, TX-SA706, TX-SA706X	NO	YES
TX-SR806, TX-SA806, DTR-7.9, DTR-6.9	YES	NO

1

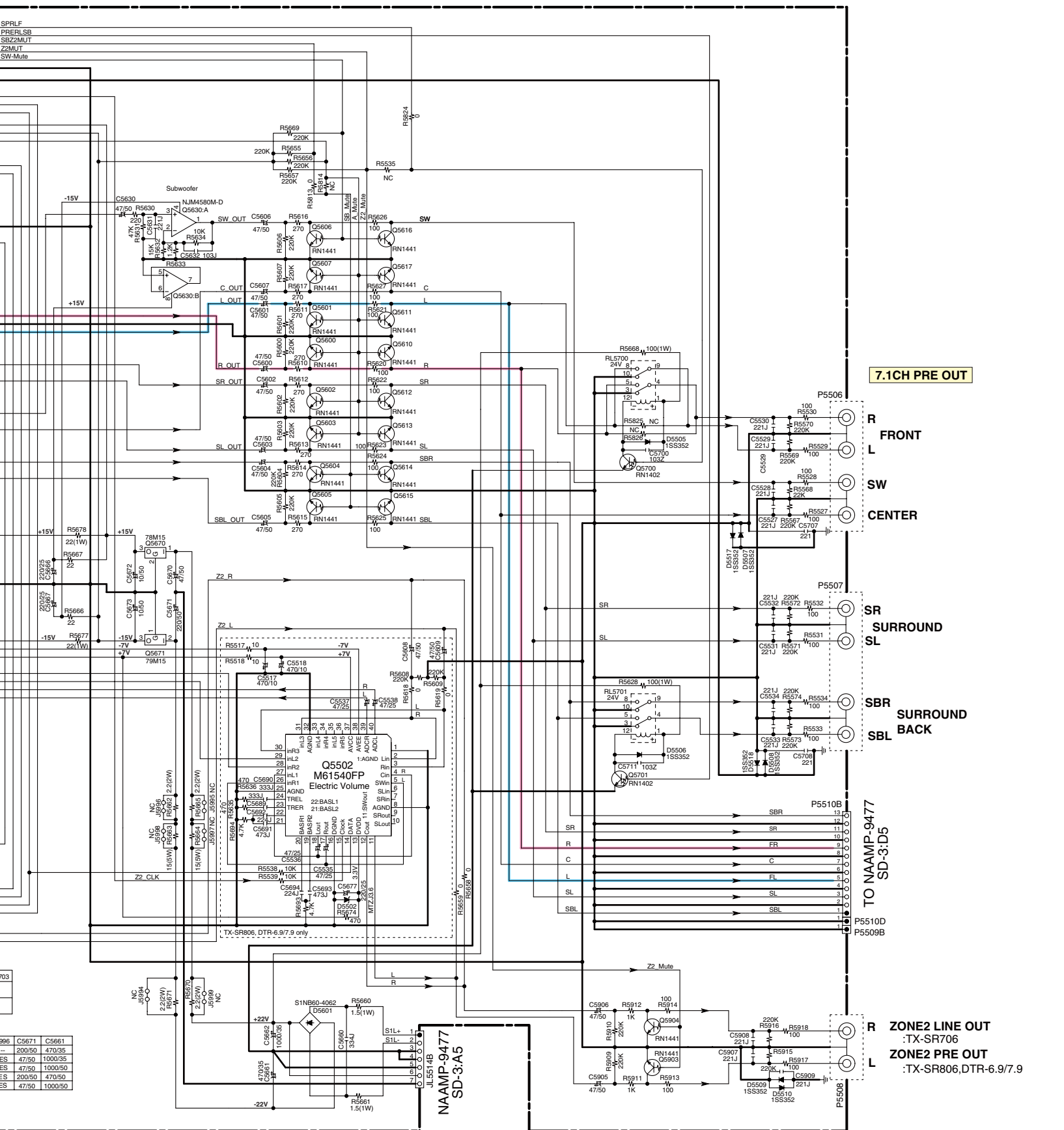
2

3

4

5

<Note>
SD-x:XY is short for Schematic Diagram-x and each socket's location, X=A to H, Y=1 to 5.



7.1CH PRE OUT

R FRONT
L
SW
CENTER

SR SURROUND
SL

SBR SURROUND
SBL

TO NAAMP-9477
SD-3:D5

R ZONE2 LINE OUT
:TX-SR706
L ZONE2 PRE OUT
:TX-SR806,DTR-6.9/7.9

03		
06	C5671	C5661
07	200/50	470/35
08	47/50	1000/35
09	47/50	1000/50
10	200/50	470/50
11	47/50	1000/50

**SCHEMATIC DIAGRAMS-3 (SD-3)
POWER AMPLIFIER SECTION-2**

A **B** **C** **D**

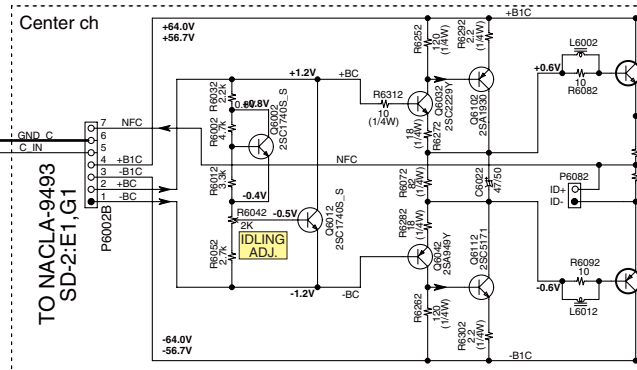
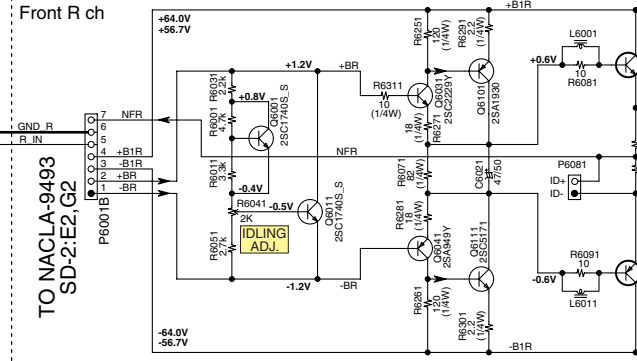
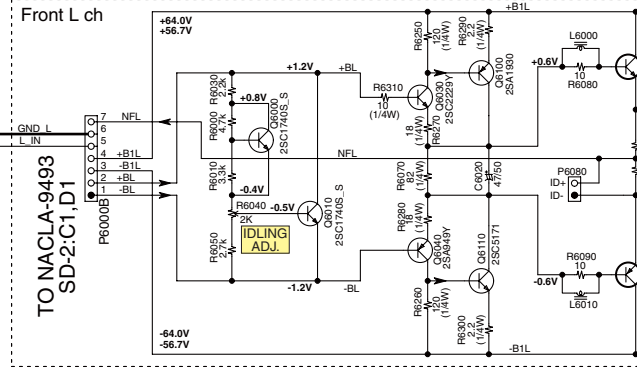
1

NAAMP-9477(2/2)
U01 AMPLIFIER PC BOARD

NCETC-9478
U02 THERMAL SENSOR PC BOARD

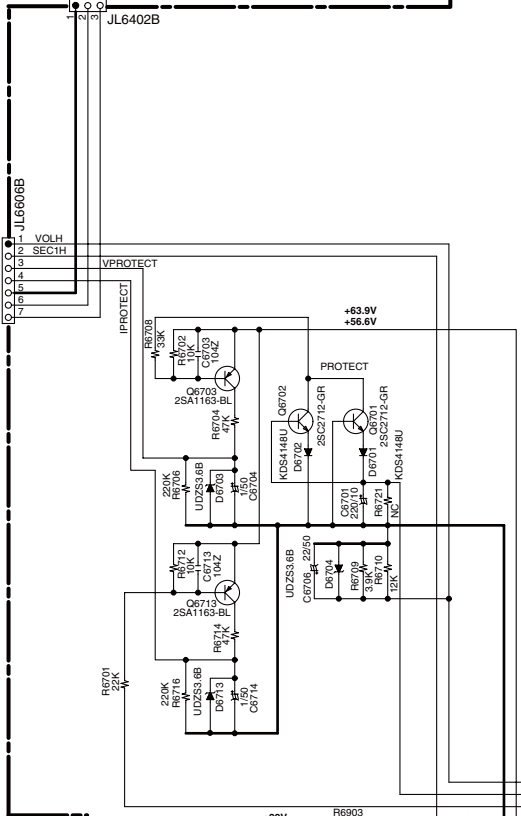
NAETC-9480
U04 TO COOLING FAN TERMINAL PC BOARD

2



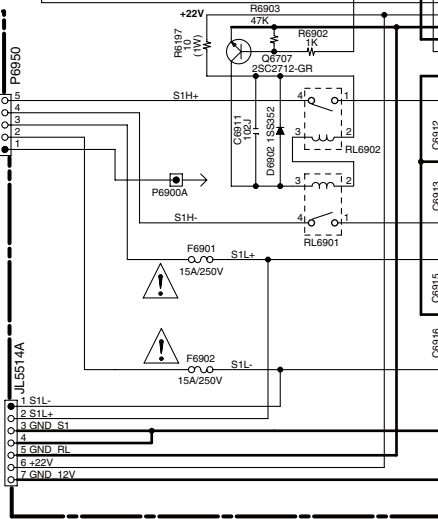
3

TO NATRM-9488 SD-4:A3



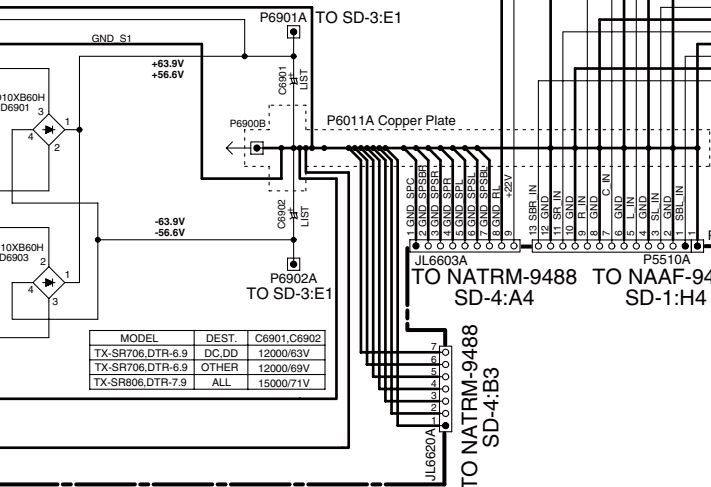
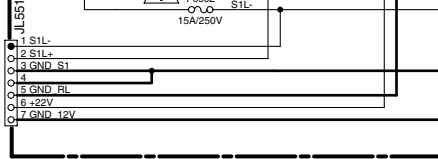
4

TO POWER TRANS T901 SD-4:H1



5

TO NAAF-9477 SD-1:F5



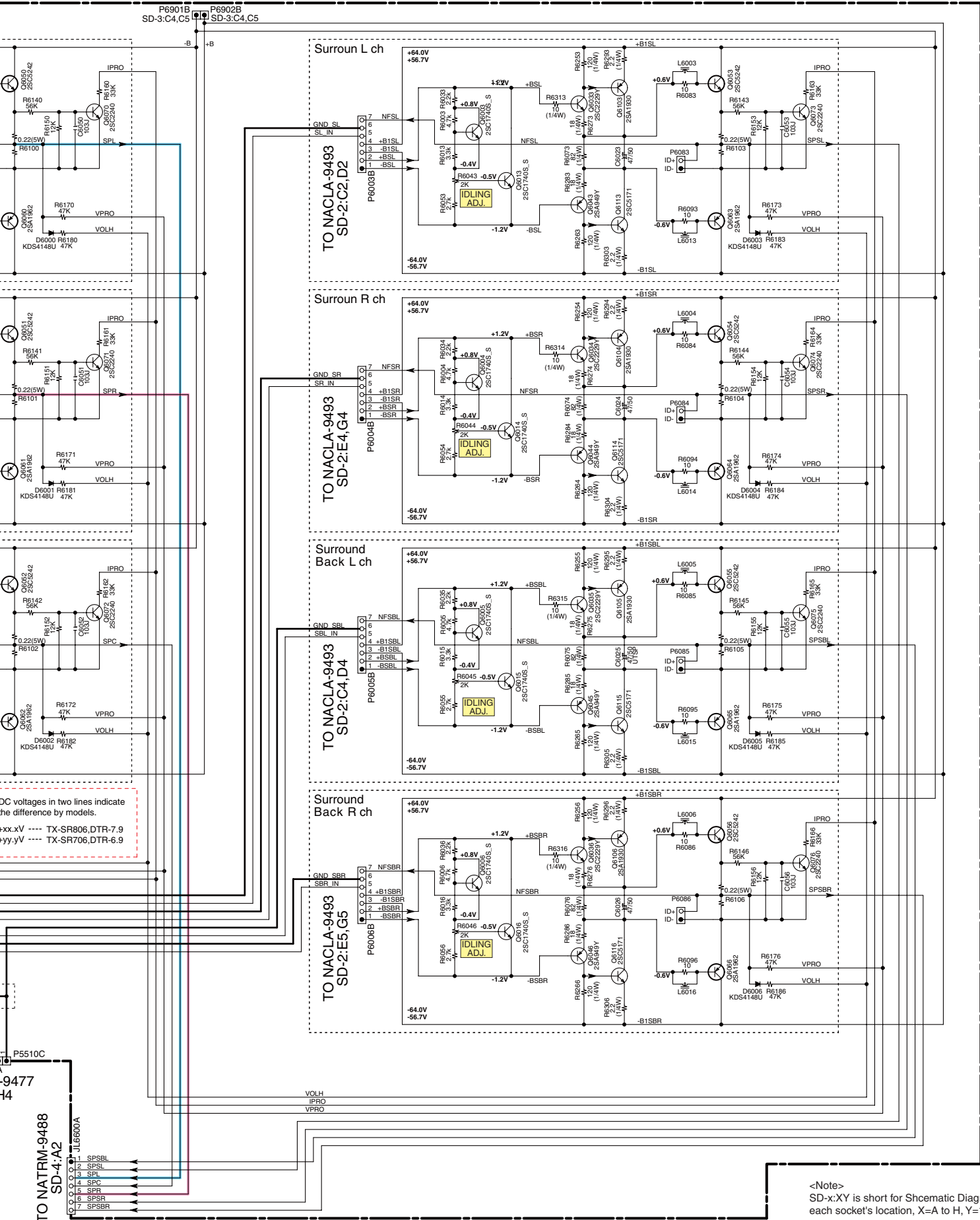
MODEL	DEST.	C6901,C6902
TX-SR706.DTR-6.9	DC.DD	12000/63V
TX-SR706.DTR-6.9	OTHER	12000/69V
TX-SR806.DTR-7.9	ALL	15000/71V

TO NATRM-9488 SD-4:A4

TO NAAF-9477 SD-1:H4

TO NATRM-9488 SD-4:B3

DC voltage
the di
+xx.x
+yy.y



DC voltages in two lines indicate the difference by models.

xx.xV --- TX-SR806,DTR-7.9
yy.yV --- TX-SR706,DTR-6.9

TO NATRM-9488
SD-4:A2

- 1 SPSBL
- 2 SPSL
- 3 SPL
- 4 SPC
- 5 SPSR
- 6 SPSR
- 7 SPSBR

<Note>
SD-x:XY is short for Schematic Diagram-x and each socket's location, X=A to H, Y=1 to 5.

SCHEMATIC DIAGRAMS-4 (SD-4)
SP TERMINAL AND POWER SUPPLY SECTION

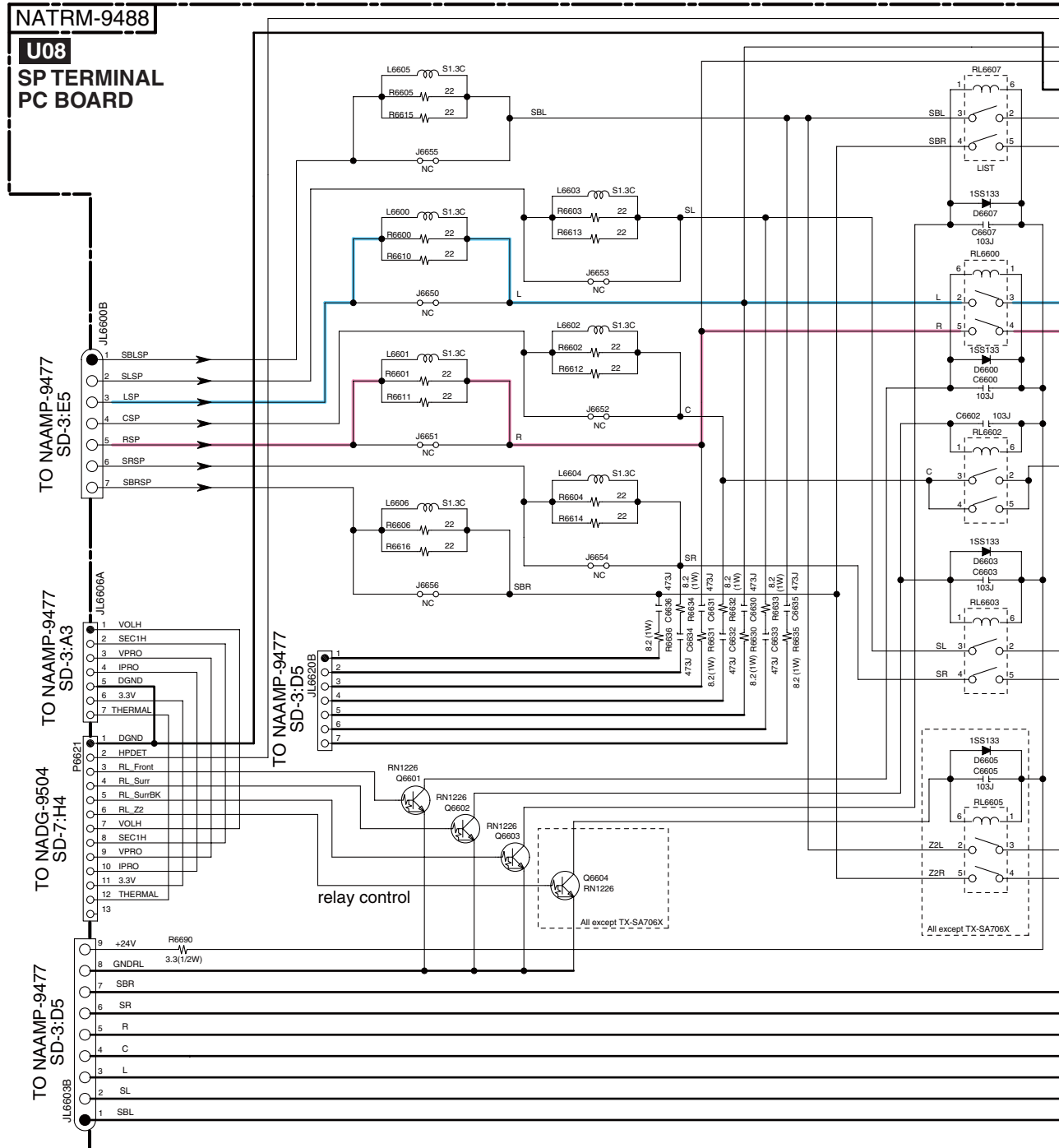
1

2

3

4

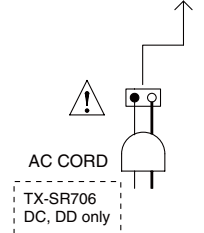
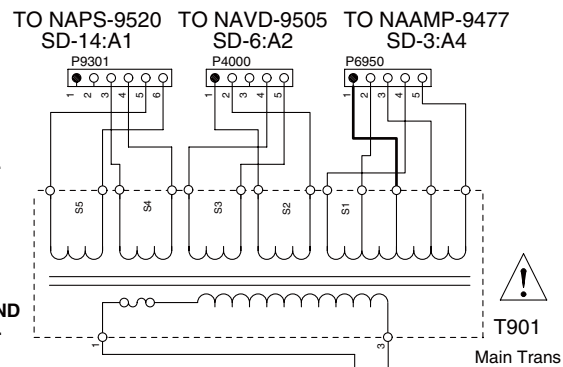
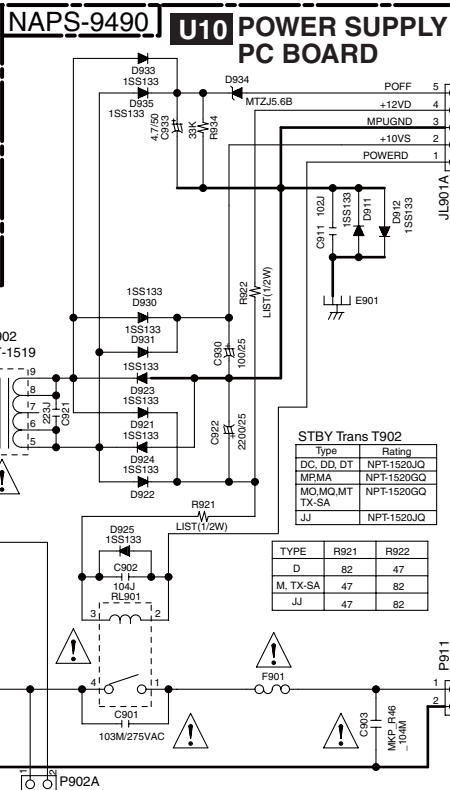
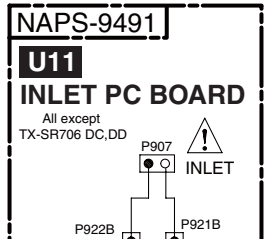
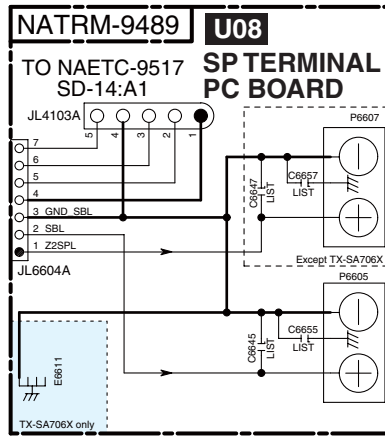
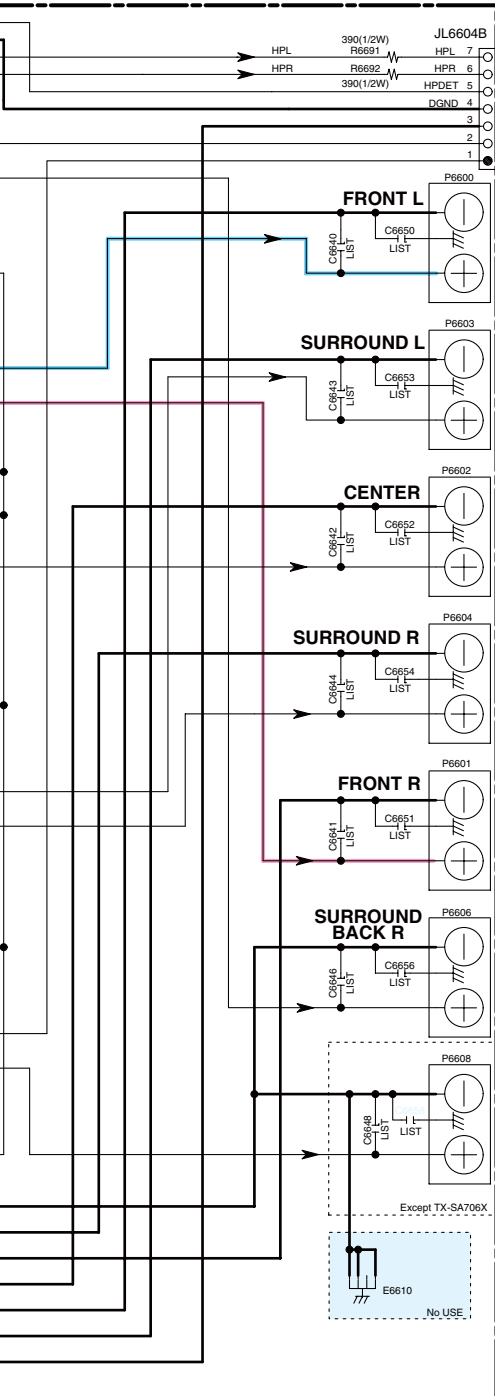
5



NOTE

- THE COMPONENTS IDENTIFIED BY MARK \triangle ARE CRITICAL FOR SAFETY. REPLACE ONLY WITH PART NUMBER SPECIFIED.
- BOLD VOLTAGE (MEASURED WITH VOLTMETER) IS DC VOLTAGE. (NO INPUT SIGNAL).
- ALL PNP TRANSISTORS ARE EQUIVALENT TO 2SA1015-GR UNLESS OTHERWISE NOTED.
- ALL NPN TRANSISTORS ARE EQUIVALENT TO 2SC1815-GR UNLESS OTHERWISE NOTED.
- ALL DIODES ARE EQUIVALENT TO 1SS133 UNLESS OTHERWISE NOTED.
- ELECTROLYTIC CAPACITORS ($\text{---} \text{||} \text{---}$) ARE IN $\mu\text{F}/\text{WV}$.
- ALL CAPACITORS ARE IN pF/50WV UNLESS OTHERWISE NOTED.
 EX) 030- 3pF, 330- 33pF, 331- 330pF, 333- 0.03 μF
- ALL RESISTORS ARE IN OHMS 1/4WATTS UNLESS OTHERWISE NOTED.
- THE THICK LINES ON PC BOARD ARE THE PRINTING SIDE OF THE PARTS.
 EX) $\text{---} \text{||} \text{---}$ PRINTING SIDE
- CIRCUIT IS SUBJECT TO CHANGE FOR IMPROVEMENT.

<Note>
 SD-x:XY is short for Schematic Diagram-x and each socket's location, X=A to H, Y=1 to 5.



F901 RATING

	TX-SR706	TX-SR806
DC, DD, DT	10A/125V	12A/125V
MP, MA, MQ	5A/250V	6.3A/250V
MT, MO	5A/250V	6.3A/250V
TX-SA	10A/125V	---
JJ	---	---

Main Trans T901

Type	TX-SR706	TX-SR806
DC, DD, DT	NPT-1570D	NPT-1571D
MP, MA	NPT-1570M	NPT-1571M
MQ, MQ, MT	NPT-1570M	NPT-1571M
TX-SA	---	---
JJ	NPT-1571J	---

C6640-6648

TYPE	TX-SR706	TX-SA706	TX-SR806	TX-SA806	TX-SA706X
D	NC	---	NC	---	---
J	---	---	---	---	NC
M	472J	472J	472J	472J	---

C6650-6658

TYPE	TX-SR706	TX-SA706	TX-SR806	TX-SA806	TX-SA706X
D	102J	---	102J	---	---
J	---	---	---	---	NC
M	102J	102J	102J	102J	---

SCHEMATIC DIAGRAMS-5 (SD-5) VIDEO SECTION-1

TO NAHDM-9562 SD-11:H1 TO NAHDM-9562 SD-11:H3

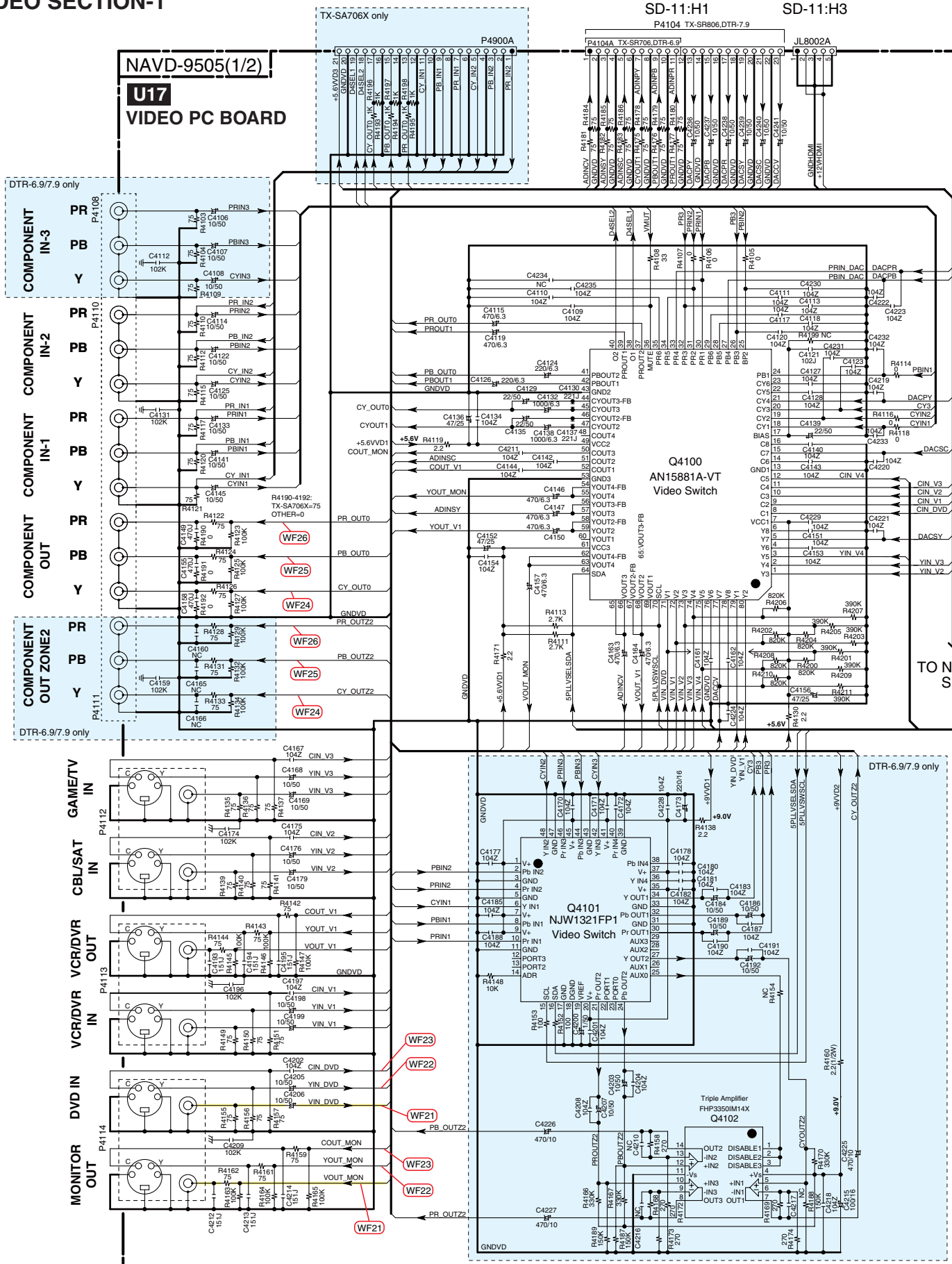
1

2

3

4

5



NAVD-9505(1/2)
U17
VIDEO PC BOARD

P4104 TX-SR806.DTR-7.9

P4104A TX-SR706.DTR-6.3

JL8002A

DTR-6.9/7.9 only

COMPONENT IN-3

COMPONENT IN-2

COMPONENT IN-1

COMPONENT OUT

COMPONENT OUT ZONE2

DTR-6.9/7.9 only

GAME/TV IN

CBL/SAT IN

VCR/DVR OUT

VCR/DVR IN

DVD IN

MONITOR OUT

Q4100
AN15881A-VT
Video Switch

Q4101
NJW1321FP1
Video Switch

Triple Amplifier
FHP3350M14X
Q4102

WF26

WF25

WF24

WF26

WF25

WF24

WF23

WF22

WF21

WF23

WF22

WF23

WF22

WF21

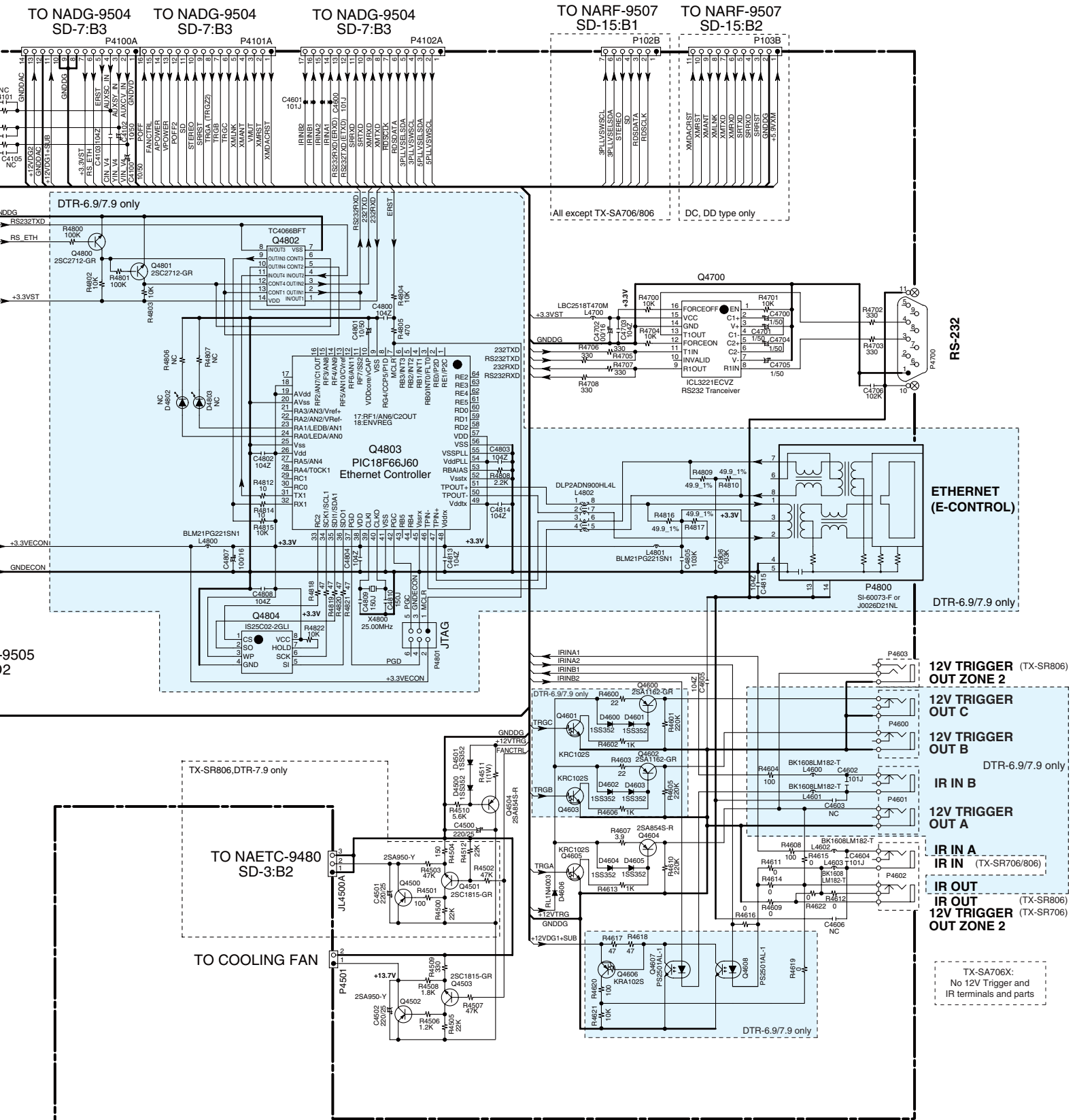
TO NADG-9506 SD-6:D2

E

F

G

H



<Note>
Refer to SCHEMATIC DIAGRAM-16 (SD-16) for analog video signal waveforms.

<Note>
SD-x:XY is short for Schematic-x and each socket's location, X=A to H, Y=1 to 5.

TX-SA706X:
No 12V Trigger and IR terminals and parts

SCHEMATIC DIAGRAMS-6 (SD-6)
VIDEO SECTION-2

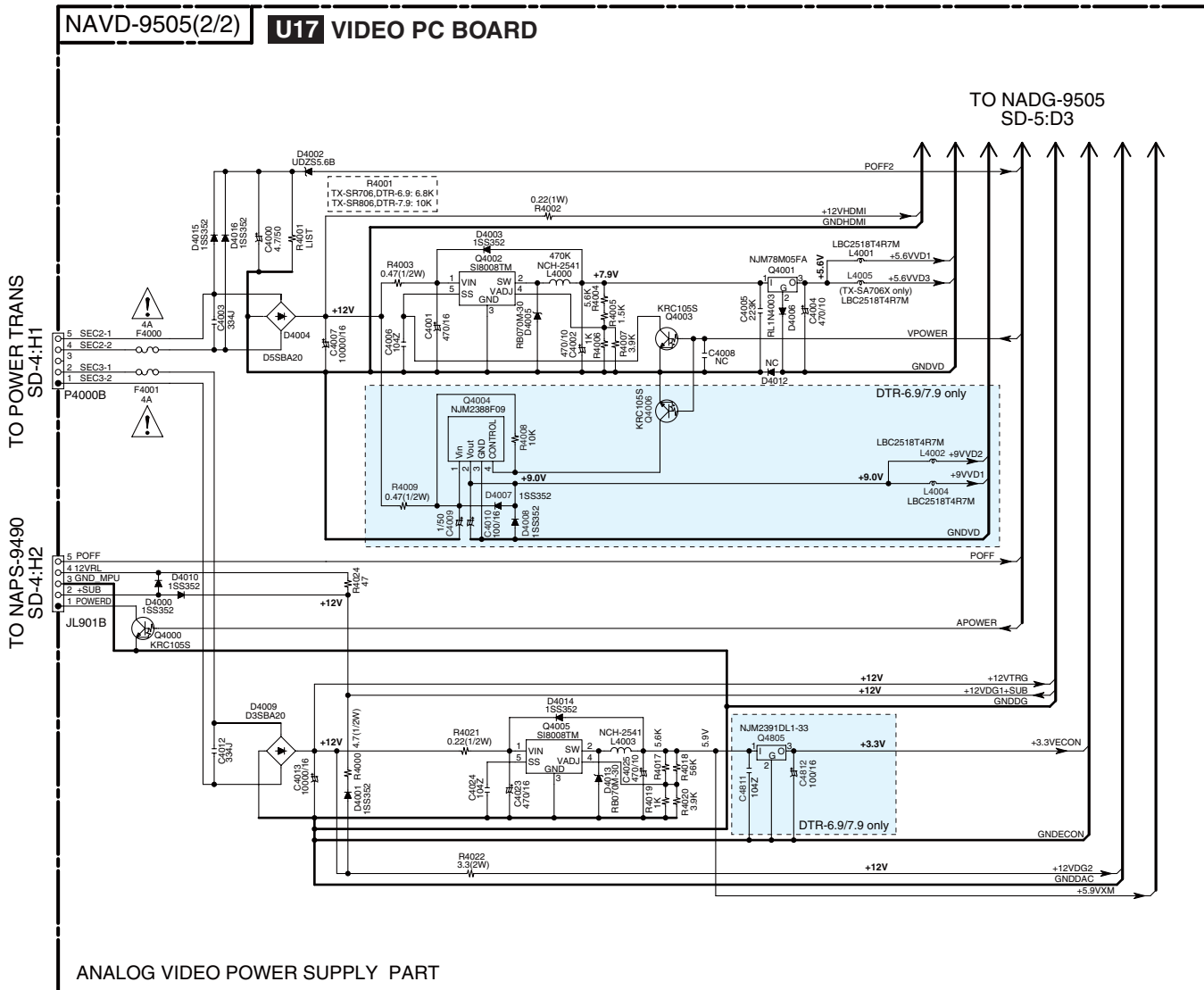
1

2

3

4

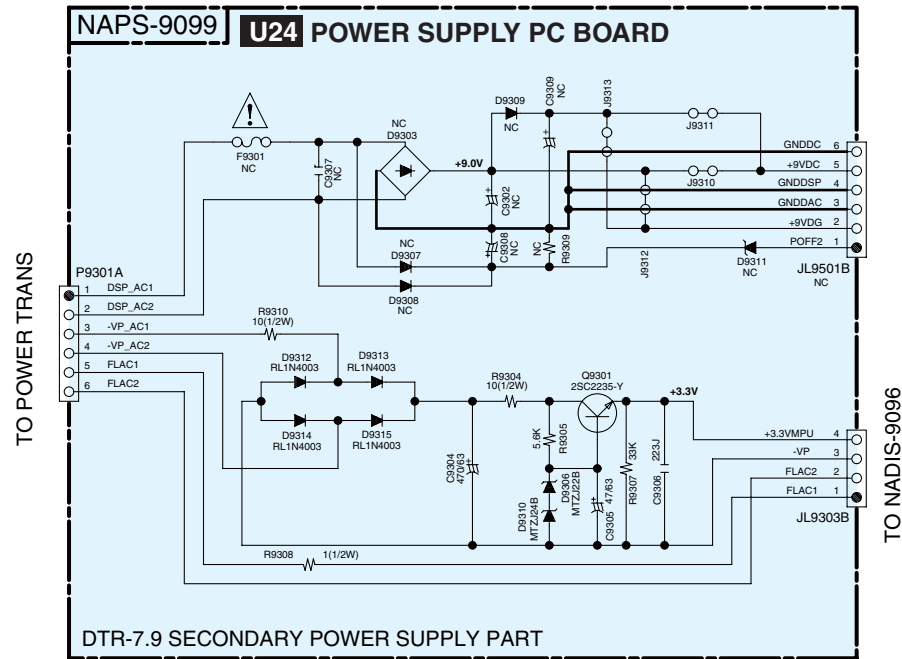
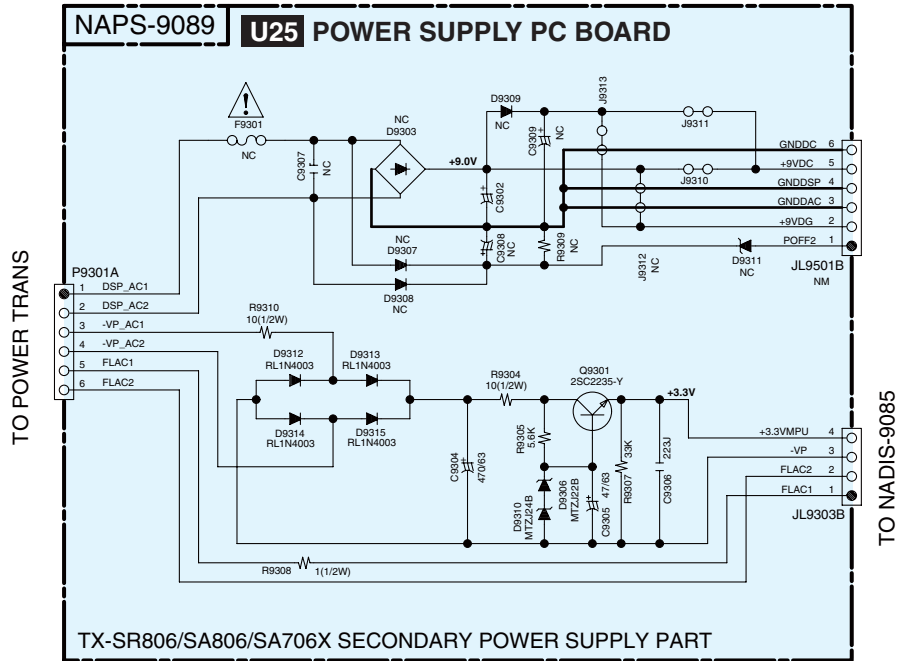
5



NOTE

- THE COMPONENTS IDENTIFIED BY MARK ARE CRITICAL FOR SAFETY. REPLACE ONLY WITH PART NUMBER SPECIFIED.
- BOLD VOLTAGE (MEASURED WITH VOLTMETER) IS DC VOLTAGE.(NO INPUT SIGNAL).
- ALL PNP TRANSISTORS ARE EQUIVALENT TO 2SA1015-GR UNLESS OTHERWISE NOTED.
- ALL NPN TRANSISTORS ARE EQUIVALENT TO 2SC1815-GR UNLESS OTHERWISE NOTED.
- ALL DIODES ARE EQUIVALENT TO 1SS133 UNLESS OTHERWISE NOTED.
- ELECTROLYTIC CAPACITORS () ARE IN uF/WV.
- ALL CAPACITORS ARE IN pF/50WV UNLESS OTHERWISE NOTED.
EX) 030- 3pF, 330- 33pF, 331- 330pF, 333- 0.033uF
- ALL RESISTORS ARE IN OHMS 1/4WATTS UNLESS OTHERWISE NOTED.
- THE THICK LINES ON PC BOARD ARE THE PRINTING SIDE OF THE PARTS.
EX) PRINTING SIDE
- CIRCUIT IS SUBJECT TO CHANGE FOR IMPROVEMENT.

<Note>
SD-x:XY is short for Shcematic Diagram-x and each socket's location, X=A to H, Y=1 to 5.



SCHEMATIC DIAGRAMS-7 (SD-7)
MICROPROCESSOR
AND DAC SECTION

A

B

C

D

1

2

3

4

5

NADG-9504

U16

MICROPROCESSOR
AND DAC PC BOARD

TO DEBUGER

TO FLASH WRITER

TO NAHDM-9562
SD-8:A4

TO NAHDM-9562
SD-8:A4

TO NADIS-9515
(P7501B)
SD-14:B2

TO NAVD-9505
SD-5:E1

TO NAVD-9505
SD-5:F1

COAX1

COAX2

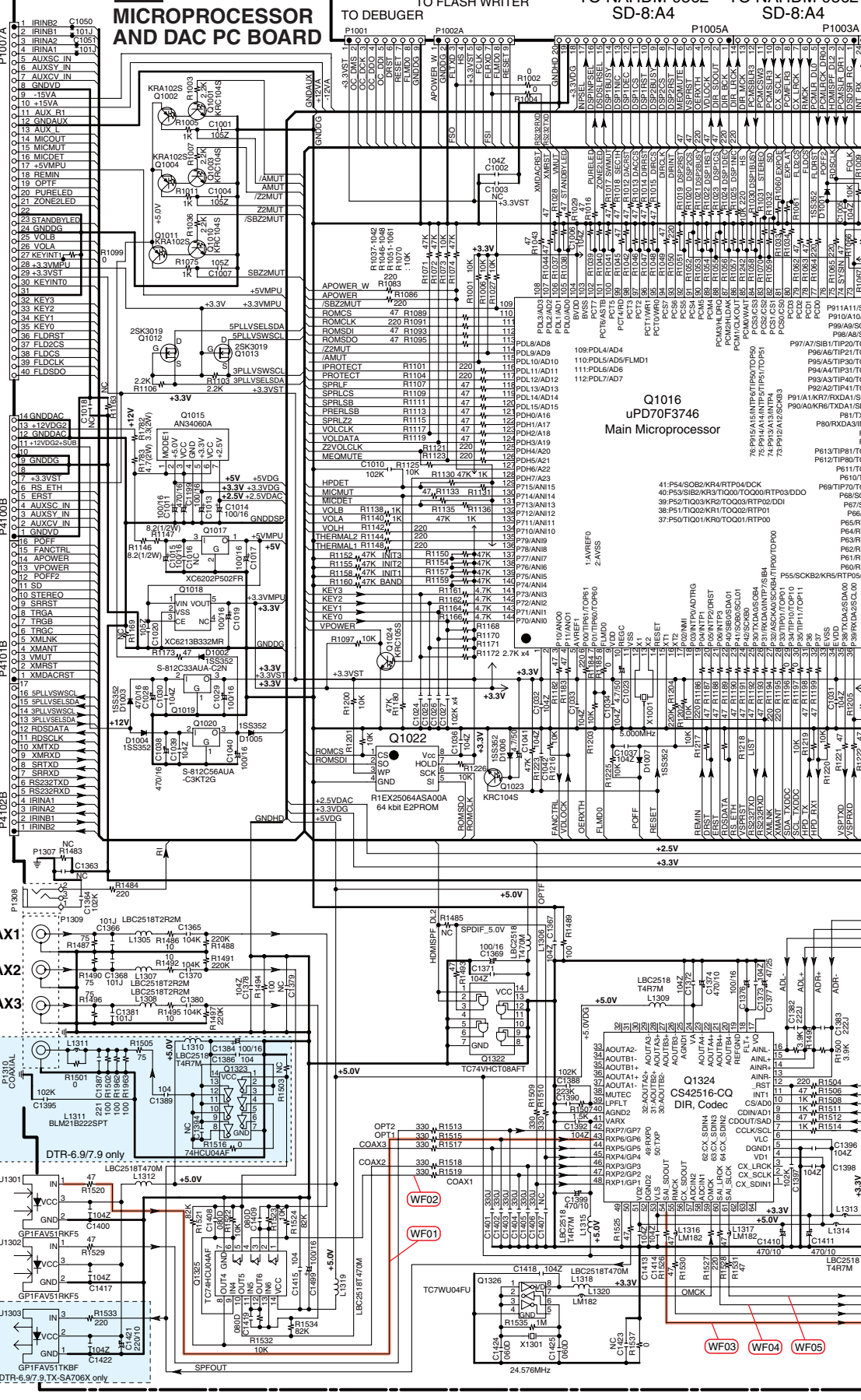
COAX3

COAX OUT

OPT1

OPT2

OPTOUT



DTR-6.9/7.9 TX-SA706 only.

WF02

WF01

Q1324

CS42516-CQ

DIR, Codec

DIR, Codec

DIR, Codec

DIR, Codec

DIR, Codec

DIR, Codec

DIR, Codec

DIR, Codec

DIR, Codec

DIR, Codec

DIR, Codec

DIR, Codec

DIR, Codec

DIR, Codec

DIR, Codec

DIR, Codec

DIR, Codec

DIR, Codec

DIR, Codec

DIR, Codec

DIR, Codec

DIR, Codec

DIR, Codec

DIR, Codec

DIR, Codec

DIR, Codec

DIR, Codec

DIR, Codec

DIR, Codec

DIR, Codec

DIR, Codec

DIR, Codec

DIR, Codec

DIR, Codec

DIR, Codec

DIR, Codec

DIR, Codec

DIR, Codec

DIR, Codec

DIR, Codec

DIR, Codec

DIR, Codec

DIR, Codec

DIR, Codec

DIR, Codec

DIR, Codec

DIR, Codec

DIR, Codec

DIR, Codec

DIR, Codec

DIR, Codec

DIR, Codec

DIR, Codec

DIR, Codec

DIR, Codec

DIR, Codec

DIR, Codec

DIR, Codec

DIR, Codec

DIR, Codec

DIR, Codec

DIR, Codec

DIR, Codec

DIR, Codec

DIR, Codec

DIR, Codec

DIR, Codec

DIR, Codec

DIR, Codec

DIR, Codec

DIR, Codec

DIR, Codec

DIR, Codec

DIR, Codec

DIR, Codec

DIR, Codec

DIR, Codec

DIR, Codec

DIR, Codec

DIR, Codec

DIR, Codec

DIR, Codec

DIR, Codec

DIR, Codec

DIR, Codec

DIR, Codec

DIR, Codec

DIR, Codec

DIR, Codec

DIR, Codec

DIR, Codec

DIR, Codec

DIR, Codec

DIR, Codec

DIR, Codec

DIR, Codec

DIR, Codec

DIR, Codec

DIR, Codec

DIR, Codec

DIR, Codec

DIR, Codec

DIR, Codec

DIR, Codec

DIR, Codec

DIR, Codec

DIR, Codec

DIR, Codec

DIR, Codec

DIR, Codec

DIR, Codec

DIR, Codec

DIR, Codec

DIR, Codec

DIR, Codec

SCHEMATIC DIAGRAMS-8 (SD-8)
DSP SECTION-1

TX-SR706, TX-SA706: NAHDM-9562
TX-SR806, TX-SA806: NAHDM-9702

NAHDM-9562/NAHDM-9702(1/6) **U20** HDMI PC BOARD

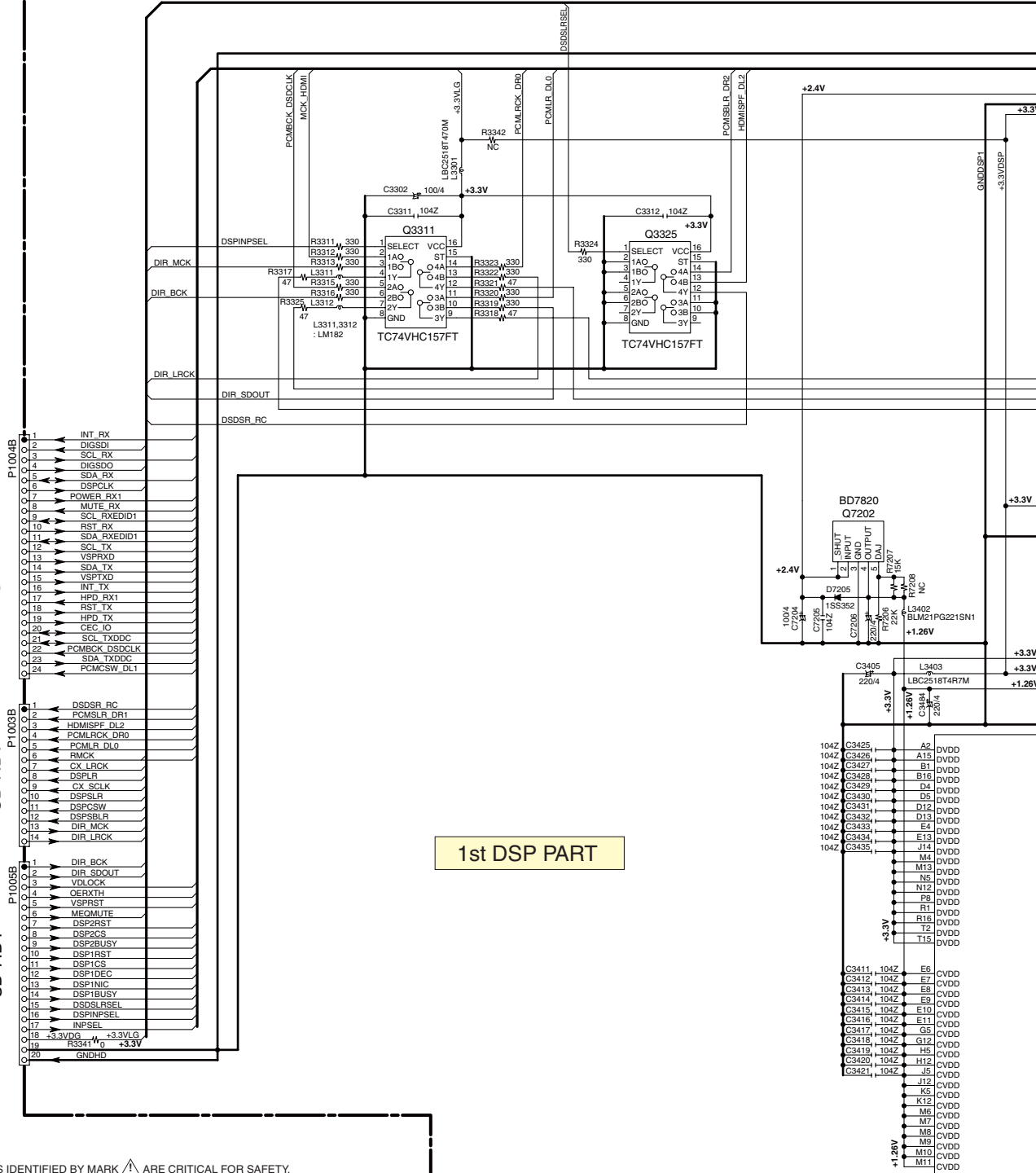
1

2

3

4

5



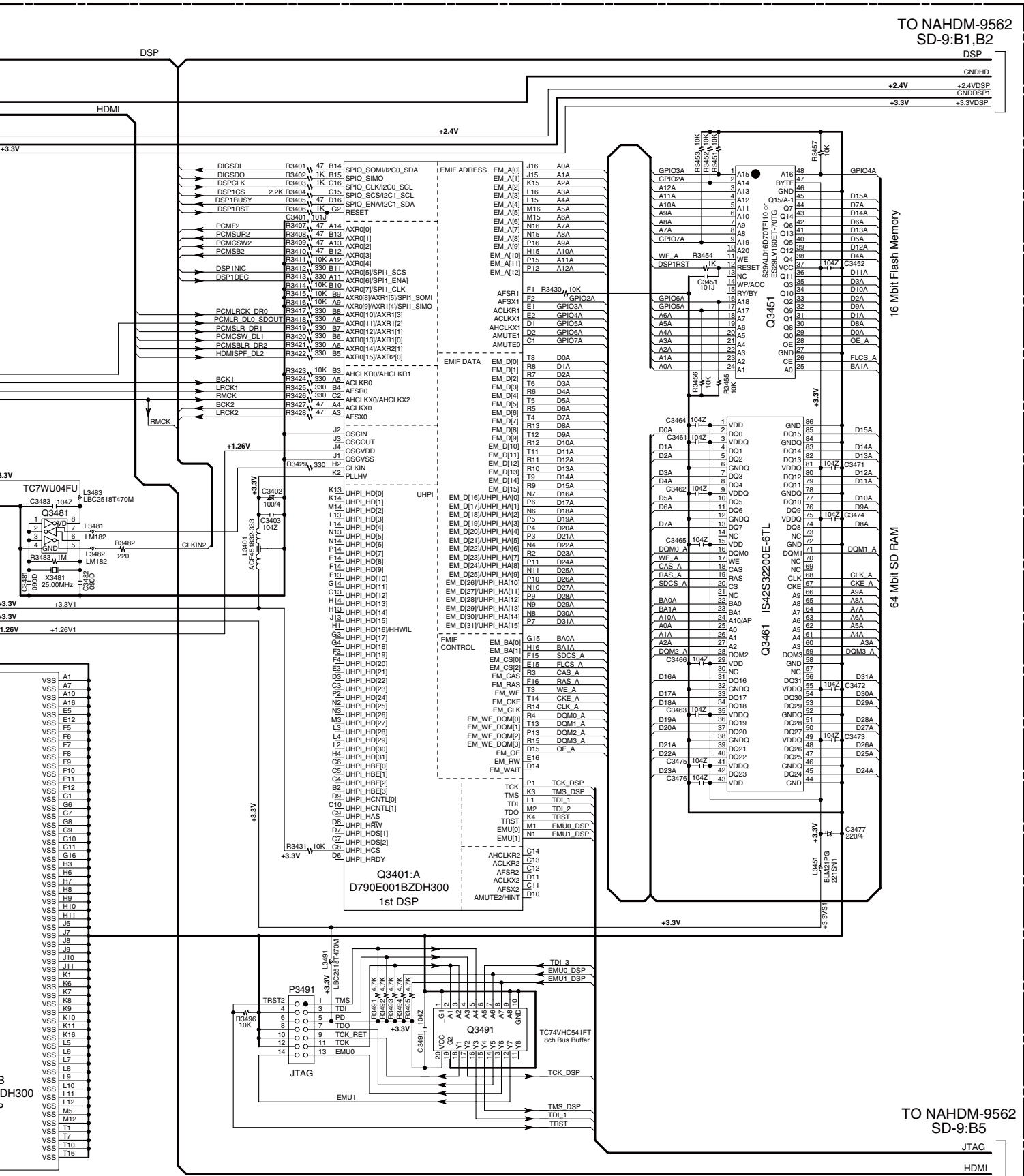
1st DSP PART

NOTE

- THE COMPONENTS IDENTIFIED BY MARK Δ ARE CRITICAL FOR SAFETY. REPLACE ONLY WITH PART NUMBER SPECIFIED.
- BOLD VOLTAGE (MEASURED WITH VOLTMETER) IS DC VOLTAGE. (NO INPUT SIGNAL).
- ALL PNP TRANSISTORS ARE EQUIVALENT TO 2SA1015-GR UNLESS OTHERWISE NOTED.
- ALL NPN TRANSISTORS ARE EQUIVALENT TO 2SC1815-GR UNLESS OTHERWISE NOTED.
- ALL DIODES ARE EQUIVALENT TO 1SS133 UNLESS OTHERWISE NOTED.
- ELECTROLYTIC CAPACITORS (---) ARE IN $\mu\text{F/WV}$.
- ALL CAPACITORS ARE IN $\text{pF}/50\text{V}$ UNLESS OTHERWISE NOTED.
EX) 030-3pF, 330-33pF, 331-330pF, 333-0.033uF
- ALL RESISTORS ARE IN OHMS 1/4WATTS UNLESS OTHERWISE NOTED.
- THE THICK LINES ON PC BOARD ARE THE PRINTING SIDE OF THE PARTS.
EX) --- PRINTING SIDE
- CIRCUIT IS SUBJECT TO CHANGE FOR IMPROVEMENT.

Q3401:B
D790E001BZDH3
1st DSP

<Note>
SD-x:XY is short for Schematic Diagram-x and each socket's location, X=A to H, Y=1 to 5.



TO NAHDM-9562
SD-9:B1,B2

DSP
GNDHD
+2.4V
+2.4V/DSP
GND/DSP1
+3.3V
+3.3V/DSP

16 Mbit Flash Memory

64 Mbit SD RAM

TO NAHDM-9562
SD-9:B5

JTAG
HDMI

- VSS A1
- VSS A7
- VSS A10
- VSS A16
- VSS E5
- VSS F5
- VSS F6
- VSS F7
- VSS F8
- VSS F9
- VSS F10
- VSS F11
- VSS F12
- VSS G1
- VSS G6
- VSS G7
- VSS G8
- VSS G9
- VSS G10
- VSS G11
- VSS G16
- VSS H3
- VSS H6
- VSS H7
- VSS H8
- VSS H9
- VSS H10
- VSS H11
- VSS J6
- VSS J7
- VSS J8
- VSS J9
- VSS J10
- VSS J11
- VSS J16
- VSS K1
- VSS K6
- VSS K7
- VSS K8
- VSS K9
- VSS K10
- VSS K11
- VSS K16
- VSS L5
- VSS L7
- VSS L8
- VSS L9
- VSS L10
- VSS L11
- VSS L12
- VSS M5
- VSS M12
- VSS T10
- VSS T11
- VSS T16

A

B

C

D

SCHEMATIC DIAGRAMS-9 (SD-9) DSP SECTION-2

TX-SR706, TX-SA706: NAHDM-9562 TX-SR806, TX-SA806: NAHDM-9702

NAHDM-9562/NAHDM-9702(2/6)

U20 HDMI PC BOARD

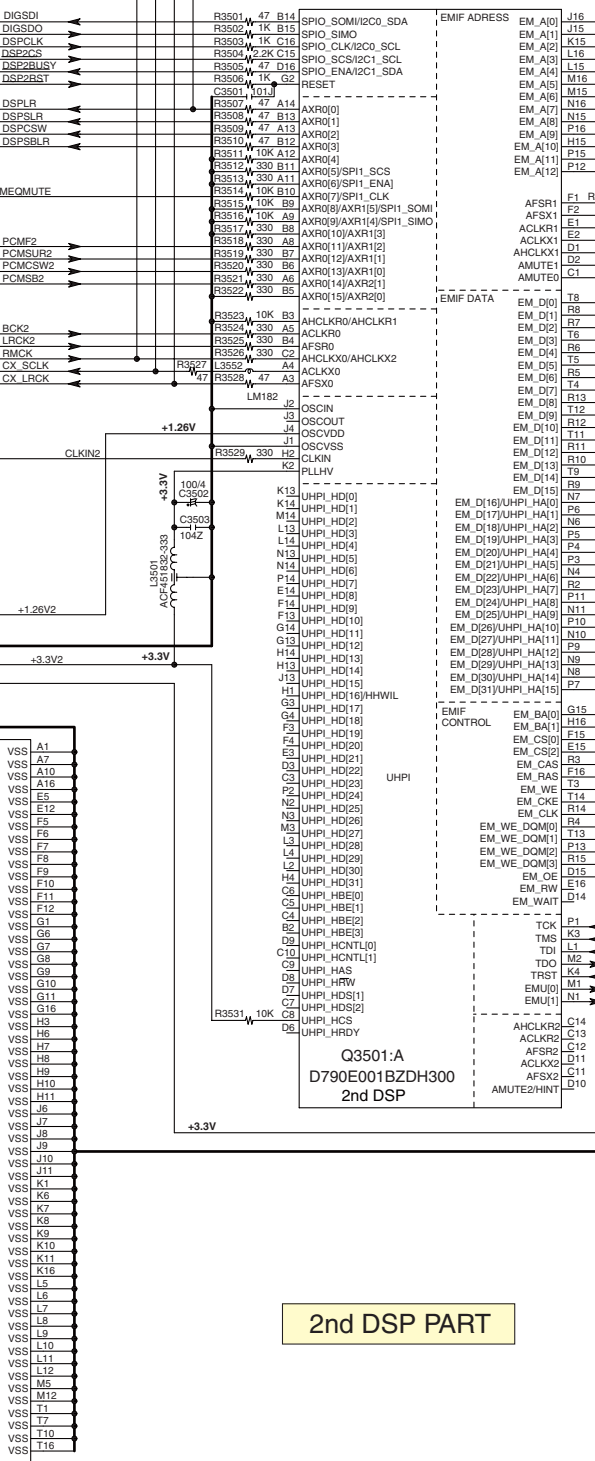
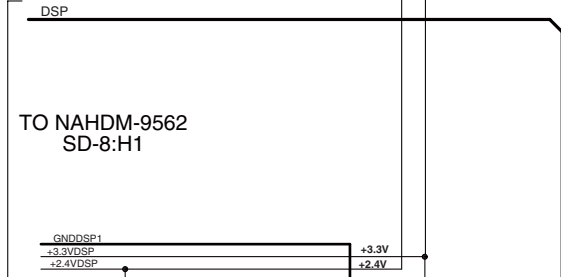
1

2

3

4

5



TO NAHDM-9562 SD-8:H1

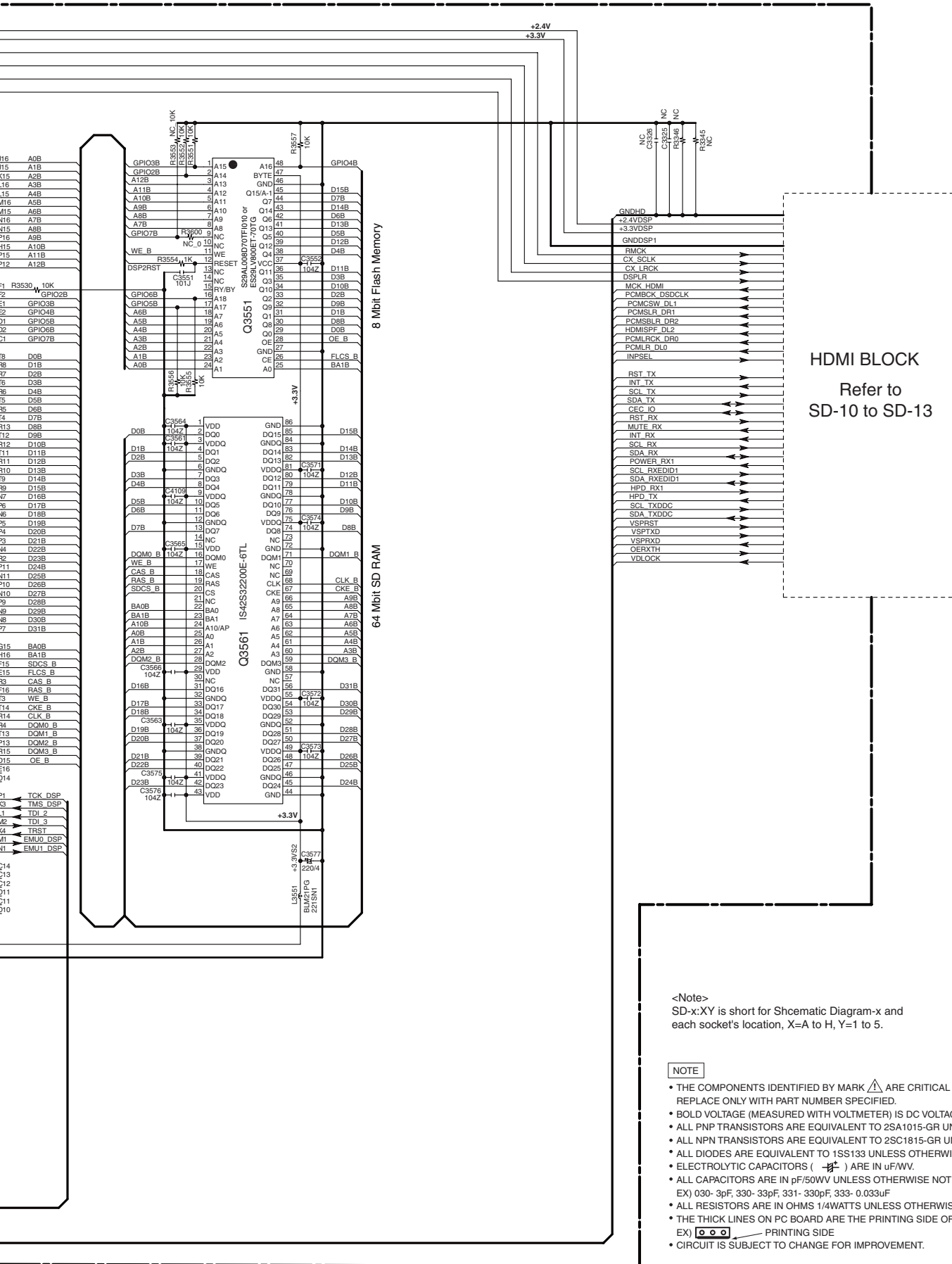
TO NAHDM-9562 SD-8:H5

JTAG

HDMI

Q3501:B D790E001BZDH300 2nd DSP

2nd DSP PART



<Note>
SD-x:XY is short for Shoematic Diagram-x and each socket's location, X=A to H, Y=1 to 5.

- NOTE**
- THE COMPONENTS IDENTIFIED BY MARK ARE CRITICAL FOR SAFETY. REPLACE ONLY WITH PART NUMBER SPECIFIED.
 - BOLD VOLTAGE (MEASURED WITH VOLTMETER) IS DC VOLTAGE.(NO INPUT SIGNAL).
 - ALL PNP TRANSISTORS ARE EQUIVALENT TO 2SA1015-GR UNLESS OTHERWISE NOTED.
 - ALL NPN TRANSISTORS ARE EQUIVALENT TO 2SC1815-GR UNLESS OTHERWISE NOTED.
 - ALL DIODES ARE EQUIVALENT TO 1SS133 UNLESS OTHERWISE NOTED.
 - ELECTROLYTIC CAPACITORS () ARE IN uF/WV.
 - ALL CAPACITORS ARE IN pF/50WV UNLESS OTHERWISE NOTED.
EX) 030- 3pF, 330- 33pF, 331- 330pF, 333- 0.033uF
 - ALL RESISTORS ARE IN OHMS 1/4WATTS UNLESS OTHERWISE NOTED.
 - THE THICK LINES ON PC BOARD ARE THE PRINTING SIDE OF THE PARTS.
EX) — PRINTING SIDE
 - CIRCUIT IS SUBJECT TO CHANGE FOR IMPROVEMENT.

SCHEMATIC DIAGRAMS-10 (SD-10) HDMI SECTION-1

TX-SR706, TX-SA706: NAHDM-9562
TX-SR806, TX-SA806: NAHDM-9702

NAHDM-9562/NAHDM-9702(3/6) U20 HDMI PC BOARD

1

HDMI IN4 (NO USE)

2

HDMI IN3 HDMI IN5

3

HDMI IN2 HDMI IN4

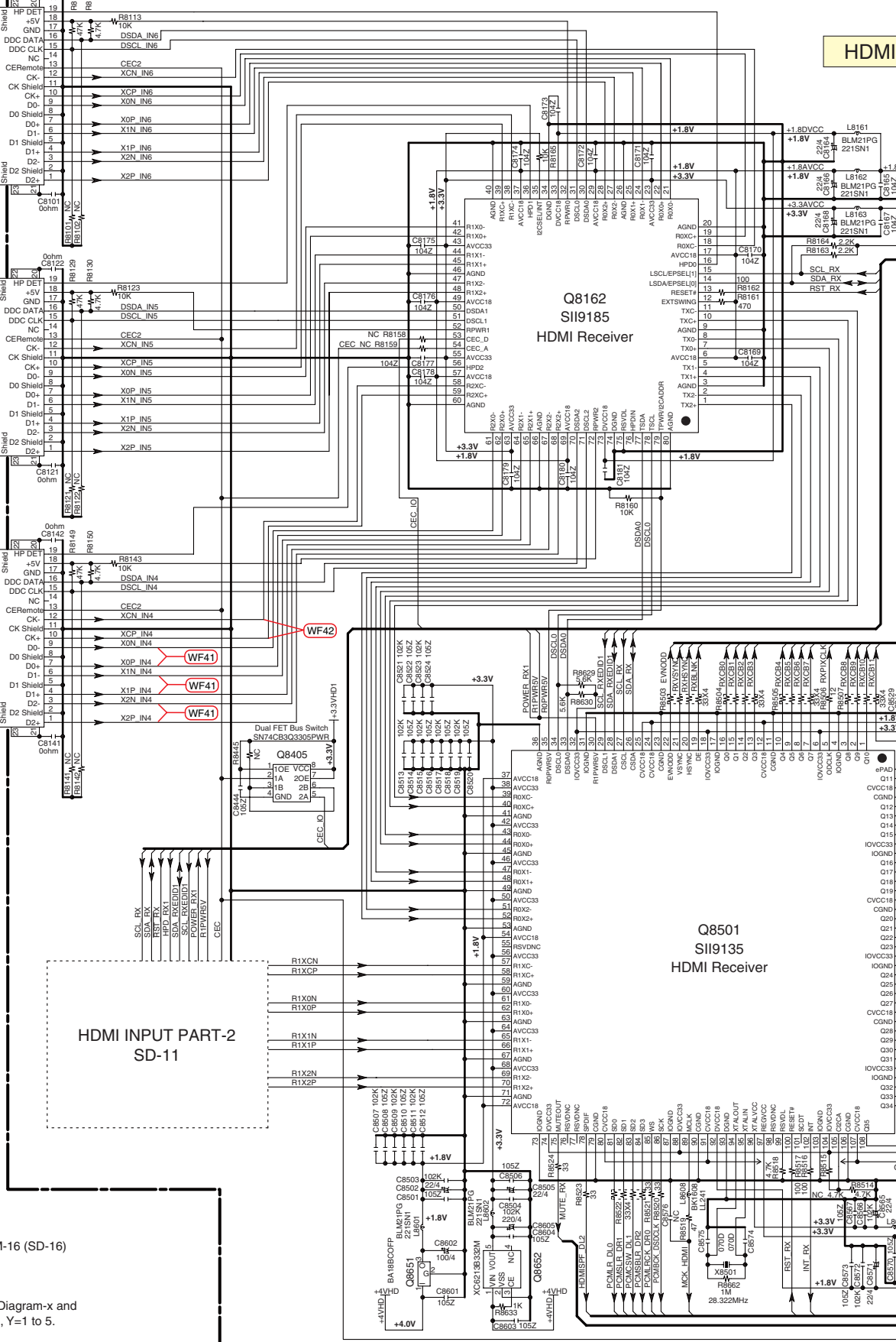
4

TX-SR706 TX-SR806
TX-SA706 TX-SA806
DTR-6.9 DTR-7.9
TX-SA706X

5

<Note>
Refer to SCHEMATIC DIAGRAM-16 (SD-16)
for HDMI signal waveforms.

<Note>
SD-x:XY is short for Schematic Diagram-x and
each socket's location, X=A to H, Y=1 to 5.



HDMI

HDMI INPUT PART-2 SD-11

Q8162
SI19185
HDMI Receiver

Q8501
SI19135
HDMI Receiver

Q8405
Dual FET Bus Switch
SN74CB30305PWR

WF41
WF42
WF43

- Q101
- Q102
- Q103
- Q104
- Q105
- Q106
- Q107
- Q108
- Q109
- Q110
- Q111
- Q112
- Q113
- Q114
- Q115
- Q116
- Q117
- Q118
- Q119
- Q120
- Q121
- Q122
- Q123
- Q124
- Q125
- Q126
- Q127
- Q128
- Q129
- Q130
- Q131
- Q132
- Q133
- Q134
- Q135
- Q136
- Q137
- Q138
- Q139
- Q140
- Q141
- Q142
- Q143
- Q144
- Q145
- Q146
- Q147
- Q148
- Q149
- Q150
- Q151
- Q152
- Q153
- Q154
- Q155
- Q156
- Q157
- Q158
- Q159
- Q160
- Q161
- Q162
- Q163
- Q164
- Q165
- Q166
- Q167
- Q168
- Q169
- Q170
- Q171
- Q172
- Q173
- Q174
- Q175
- Q176
- Q177
- Q178
- Q179
- Q180
- Q181
- Q182
- Q183
- Q184
- Q185
- Q186
- Q187
- Q188
- Q189
- Q190
- Q191
- Q192
- Q193
- Q194
- Q195
- Q196
- Q197
- Q198
- Q199
- Q200

SCHEMATIC DIAGRAMS-11 (SD-11) HDMI SECTION-2

1

<Note> SD-x:XY is short for Schematic Diagram-x and each socket's location, X=A to H, Y=1 to 5.

<Note> Refer to SCHEMATIC DIAGRAM-16 (SD-16) for HDMI signal waveforms.

NOTE

- THE COMPONENTS IDENTIFIED BY MARK Δ ARE CRITICAL FOR SAFETY. REPLACE ONLY WITH PART NUMBER SPECIFIED.
- BOLD VOLTAGE (MEASURED WITH VOLTMETER) IS DC VOLTAGE.(NO INPUT SIGNAL).
- ALL PNP TRANSISTORS ARE EQUIVALENT TO 2SA1015-GR UNLESS OTHERWISE NOTED.
- ALL NPN TRANSISTORS ARE EQUIVALENT TO 2SC1815-GR UNLESS OTHERWISE NOTED.
- ALL DIODES ARE EQUIVALENT TO 1SS133 UNLESS OTHERWISE NOTED.
- ELECTROLYTIC CAPACITORS (---) ARE IN uF/WV.
- ALL CAPACITORS ARE IN pF/50V/VV UNLESS OTHERWISE NOTED. EX) 030- 3pF, 330- 33pF, 331- 330pF, 333- 0.033uF
- ALL RESISTORS ARE IN OHMS 1/4WATTS UNLESS OTHERWISE NOTED.
- THE THICK LINES ON PC BOARD ARE THE PRINTING SIDE OF THE PARTS. EX) $\square \circ \square$ PRINTING SIDE
- CIRCUIT IS SUBJECT TO CHANGE FOR IMPROVEMENT.

TX-SR706, TX-SA706: NAHDM-9562
TX-SR806, TX-SA806: NAHDM-9702

NAHDM-9562/NAHDM-9702(4/6) U20 HDMI PC BOARD

2

HDMI INPUT PART-1 SD-10

HDMI INPUT PART-2

3

TX-SR706 TX-SR806
TX-SA706 TX-SA806
DTR-6.9 DTR-7.9
TX-SA706X

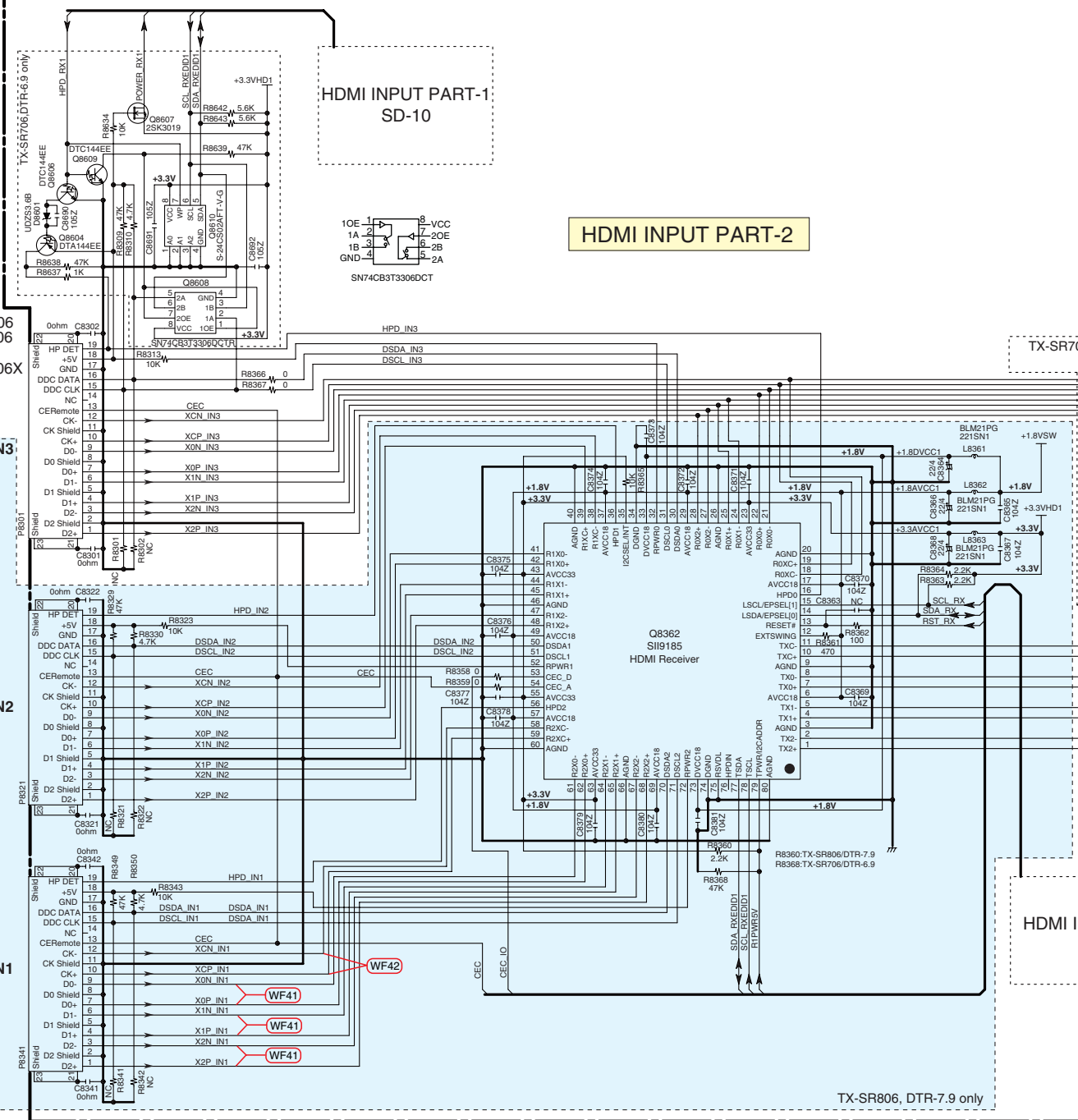
HDMI IN1 HDMI IN3

4

(NO USE) HDMI IN2

5

(NO USE) HDMI IN1



TX-SR806, DTR-7.9 only

A

B

C

D

SCHEMATIC DIAGRAMS-12 (SD-12)
HDMI SECTION-3

TX-SR706, TX-SA706: NAHDM-9562
TX-SR806, TX-SA806: NAHDM-9702

NAHDM-9562/NAHDM-9702(5/6) U20 HDMI PC BOARD

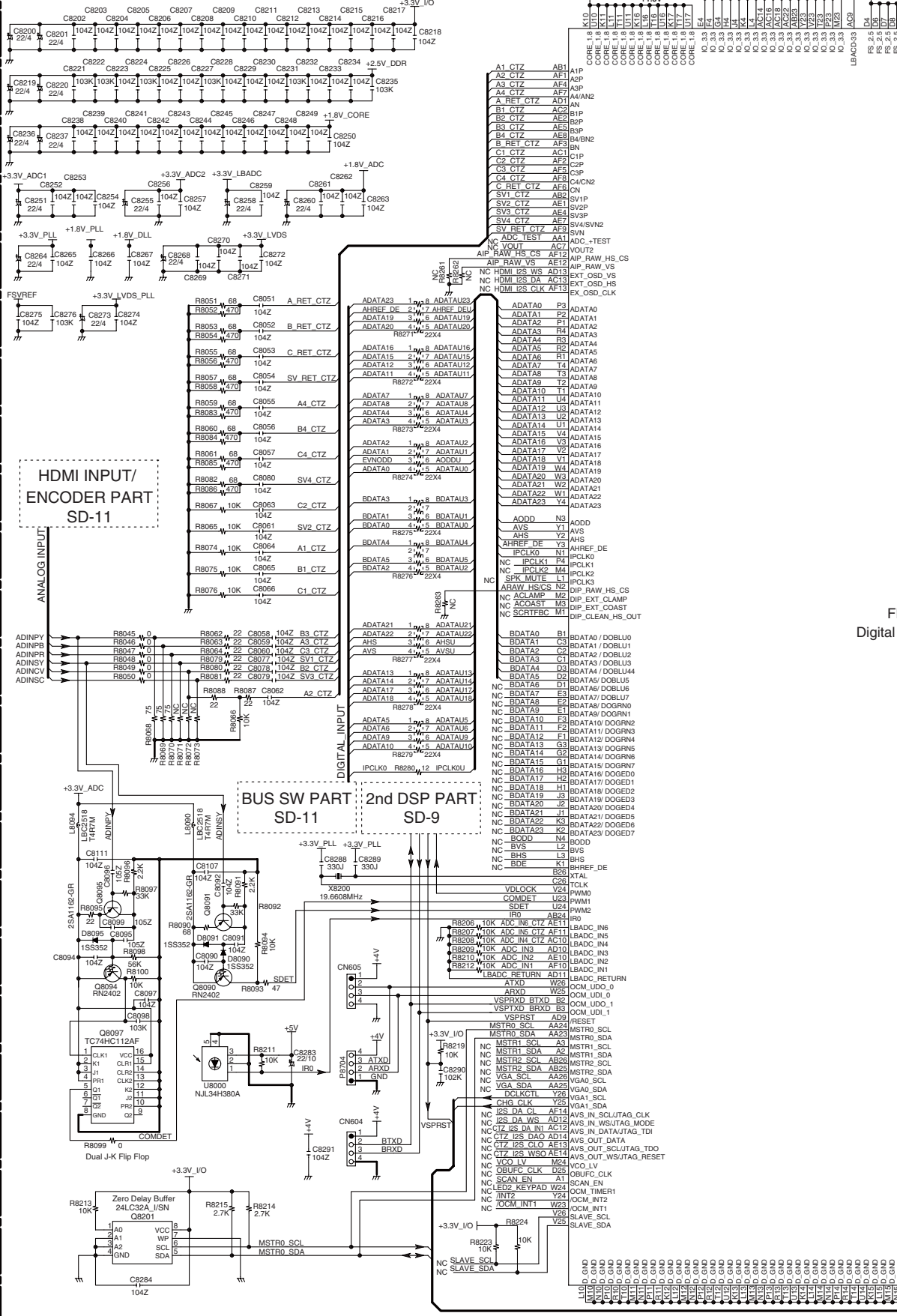
1

2

3

4

5



SCHEMATIC DIAGRAMS-13 (SD-13)
HDMI SECTION-4

1

NAHDM-9562/NAHDM-9702(6/6) **U20** HDMI PC BOARD

TX-SR706, TX-SA706: NAHDM-9562
 TX-SR806, TX-SA806: NAHDM-9702

MEMORY PART

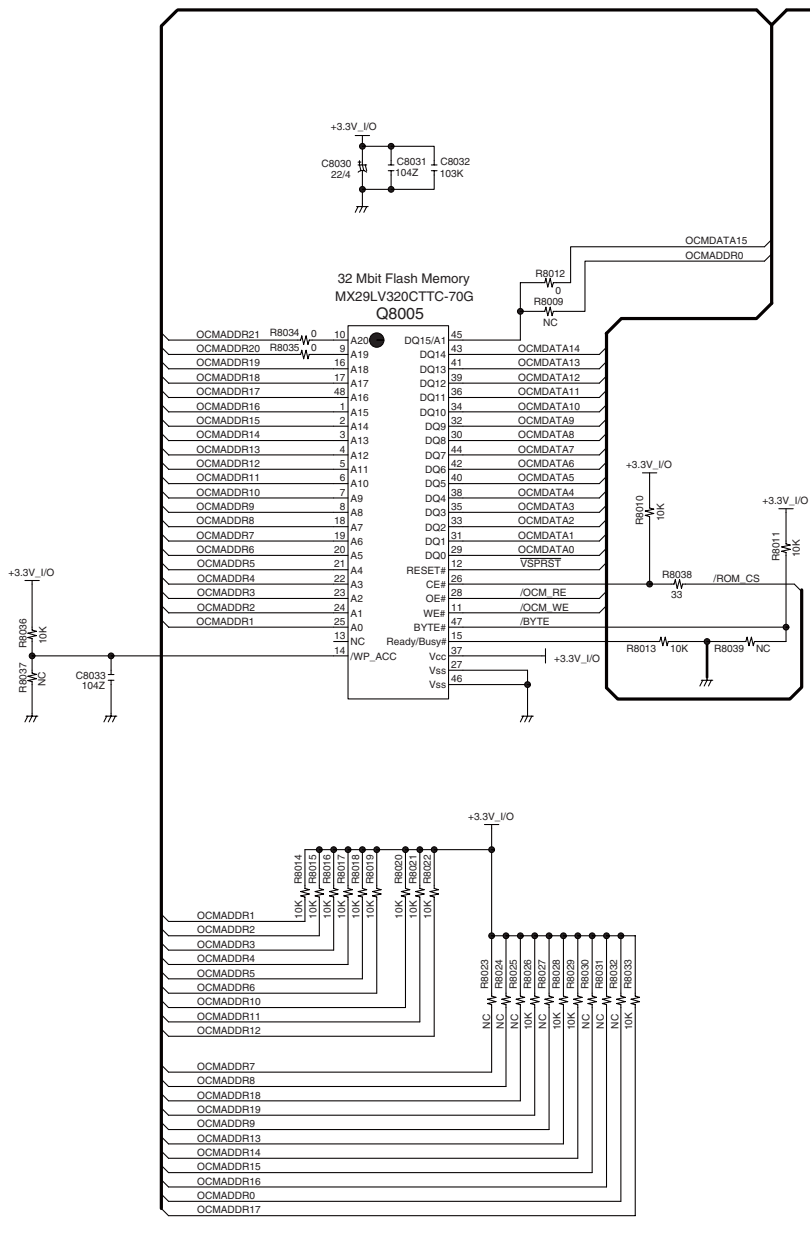
TORINO PART
 SD-12

2

3

4

5



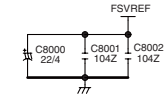
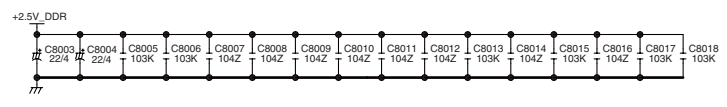
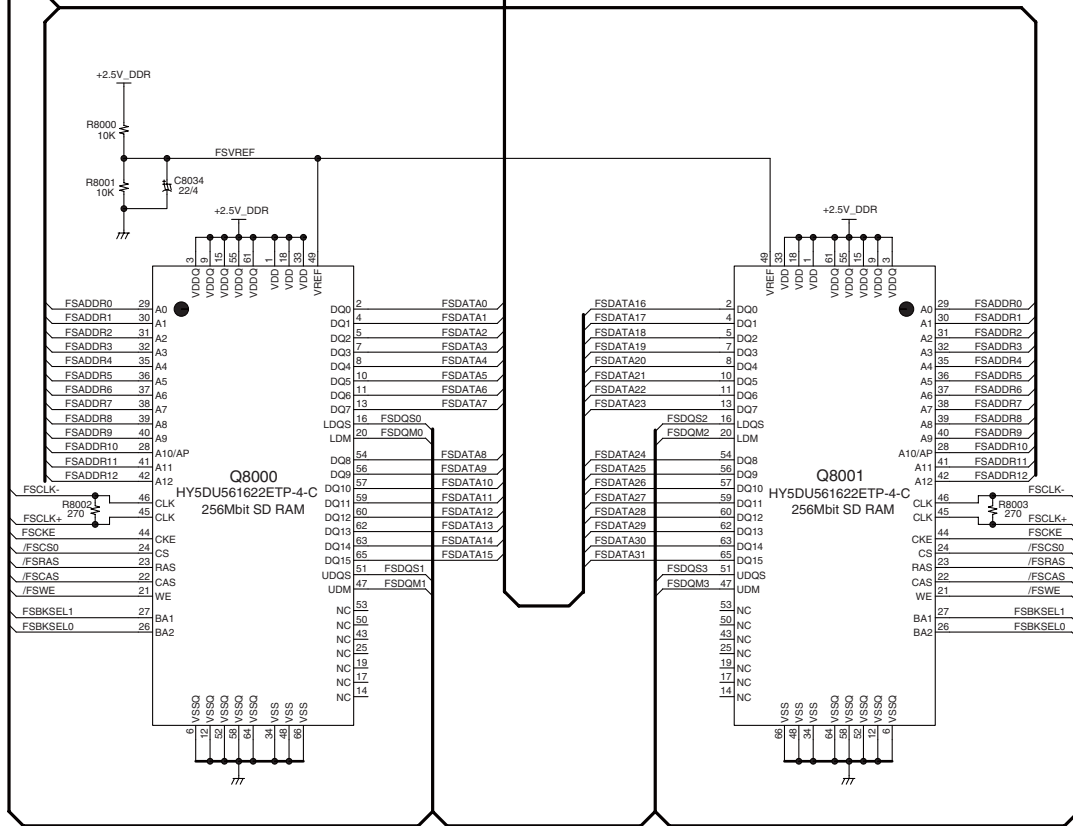
NOTE

- THE COMPONENTS IDENTIFIED BY MARK Δ ARE CRITICAL FOR SAFETY. REPLACE ONLY WITH PART NUMBER SPECIFIED.
- BOLD VOLTAGE (MEASURED WITH VOLTMETER) IS DC VOLTAGE.(NO INPUT SIGNAL).
- ALL PNP TRANSISTORS ARE EQUIVALENT TO 2SA1015-GR UNLESS OTHERWISE NOTED.
- ALL NPN TRANSISTORS ARE EQUIVALENT TO 2SC1815-GR UNLESS OTHERWISE NOTED.
- ALL DIODES ARE EQUIVALENT TO 1SS133 UNLESS OTHERWISE NOTED.
- ELECTROLYTIC CAPACITORS (---) ARE IN $\mu\text{F}/\text{V.V}$.
- ALL CAPACITORS ARE IN pF/50V UNLESS OTHERWISE NOTED.
 EX) 030- 3pF, 330- 33pF, 331- 330pF, 333- 0.033 μF
- ALL RESISTORS ARE IN OHMS 1/4WATTS UNLESS OTHERWISE NOTED.
- THE THICK LINES ON PC BOARD ARE THE PRINTING SIDE OF THE PARTS.
 EX) --- PRINTING SIDE
- CIRCUIT IS SUBJECT TO CHANGE FOR IMPROVEMENT.

<Note>
 SD-x:XY is short for Shcematic Diagram-x and each socket's location, X=A to H, Y=1 to 5.

MEMORY PART

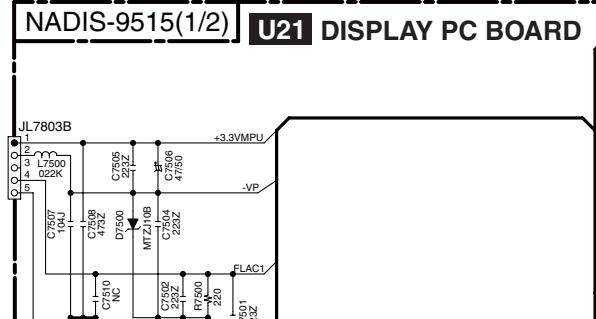
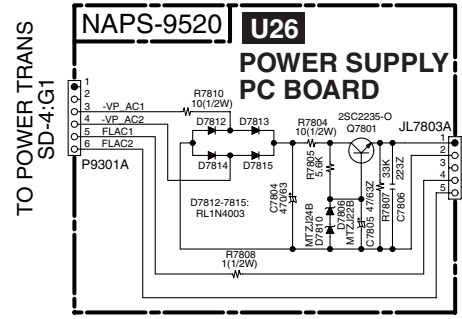
FSDATA[0..31]
FSADDR[0..12]
FSDQS[0..3], FSDQM[0..3]



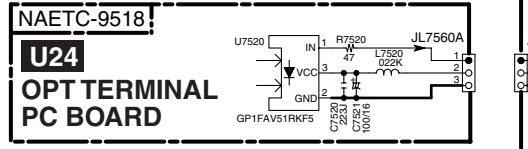
SCHEMATIC DIAGRAMS-14 (SD-14) DISPLAY SECTION

A B C D

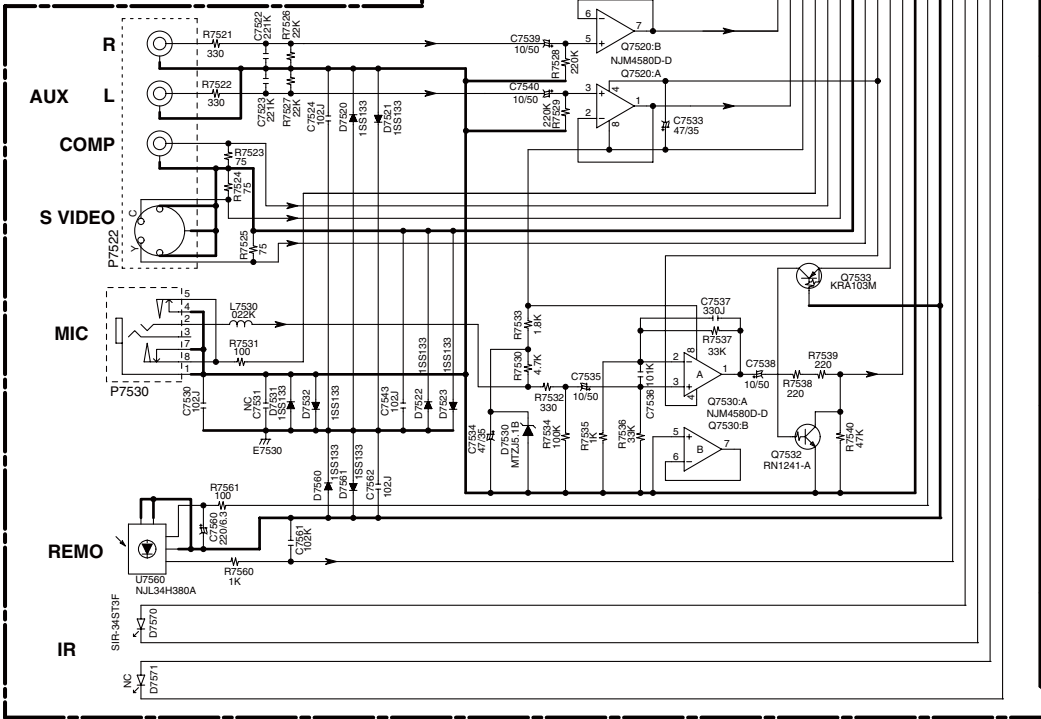
1



2

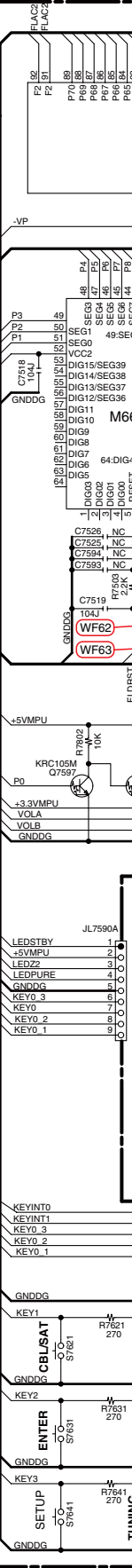


3



4

5



SCHEMATIC DIAGRAMS-15 (SD-15)
XM AND SIRIUS SECTION

1

2

3

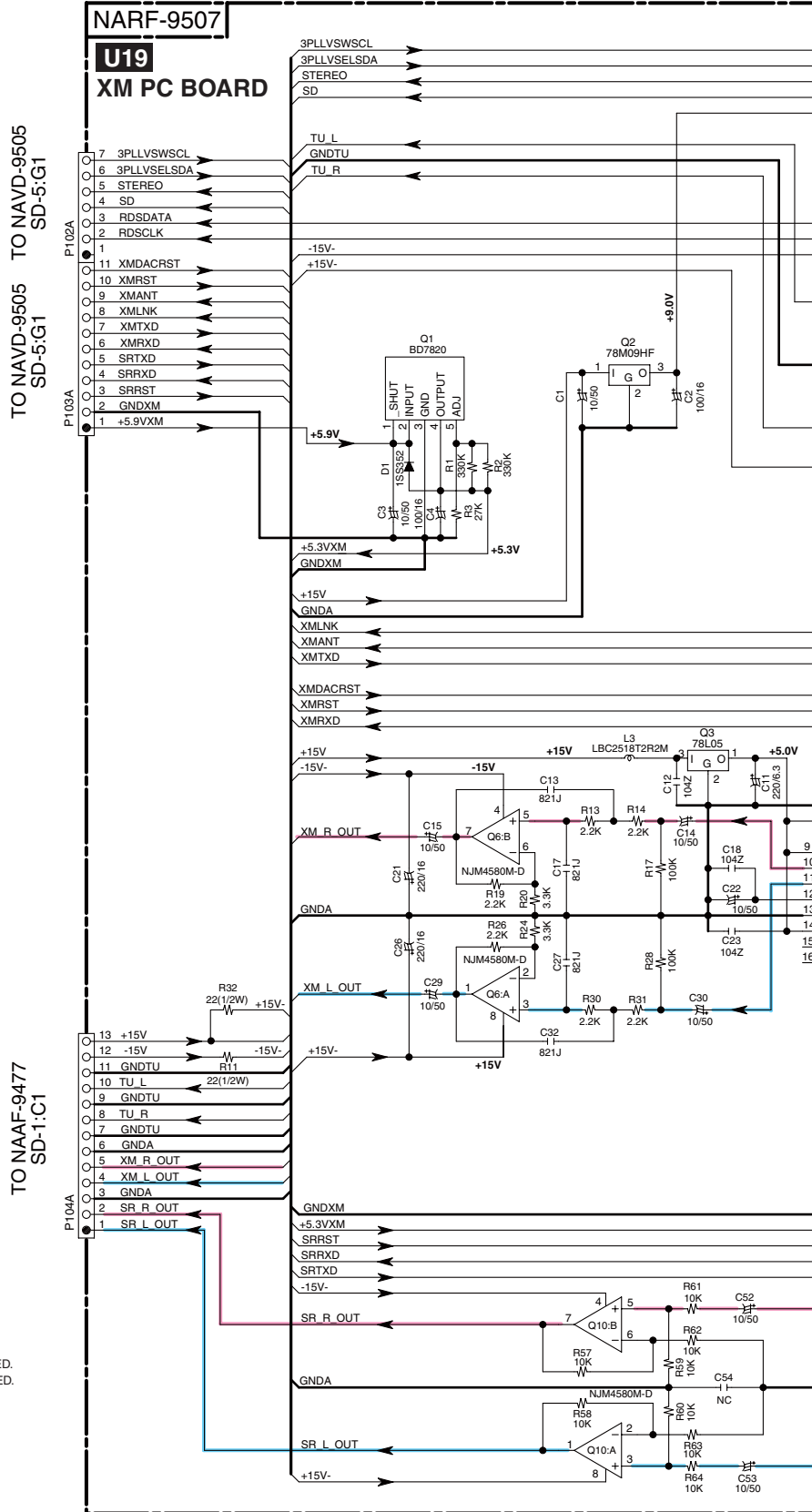
4

5

<Note>
SD-x:XY is short for Shcematic Diagram-x and each socket's location, X=A to H, Y=1 to 5.

NOTE

- THE COMPONENTS IDENTIFIED BY MARK \triangle ARE CRITICAL FOR SAFETY. REPLACE ONLY WITH PART NUMBER SPECIFIED.
- BOLD VOLTAGE (MEASURED WITH VOLTMETER) IS DC VOLTAGE.(NO INPUT SIGNAL).
- ALL PNP TRANSISTORS ARE EQUIVALENT TO 2SA1015-GR UNLESS OTHERWISE NOTED.
- ALL NPN TRANSISTORS ARE EQUIVALENT TO 2SC1815-GR UNLESS OTHERWISE NOTED.
- ALL DIODES ARE EQUIVALENT TO 1SS133 UNLESS OTHERWISE NOTED.
- ELECTROLYTIC CAPACITORS (---) ARE IN $\mu\text{F/WV}$.
- ALL CAPACITORS ARE IN $\text{pF}/50\text{VW}$ UNLESS OTHERWISE NOTED.
EX) 030- 3pF, 330- 33pF, 331- 330pF, 333- 0.033 μF
- ALL RESISTORS ARE IN OHMS 1/4WATTS UNLESS OTHERWISE NOTED.
- THE THICK LINES ON PC BOARD ARE THE PRINTING SIDE OF THE PARTS.
EX) \square PRINTING SIDE
- CIRCUIT IS SUBJECT TO CHANGE FOR IMPROVEMENT.

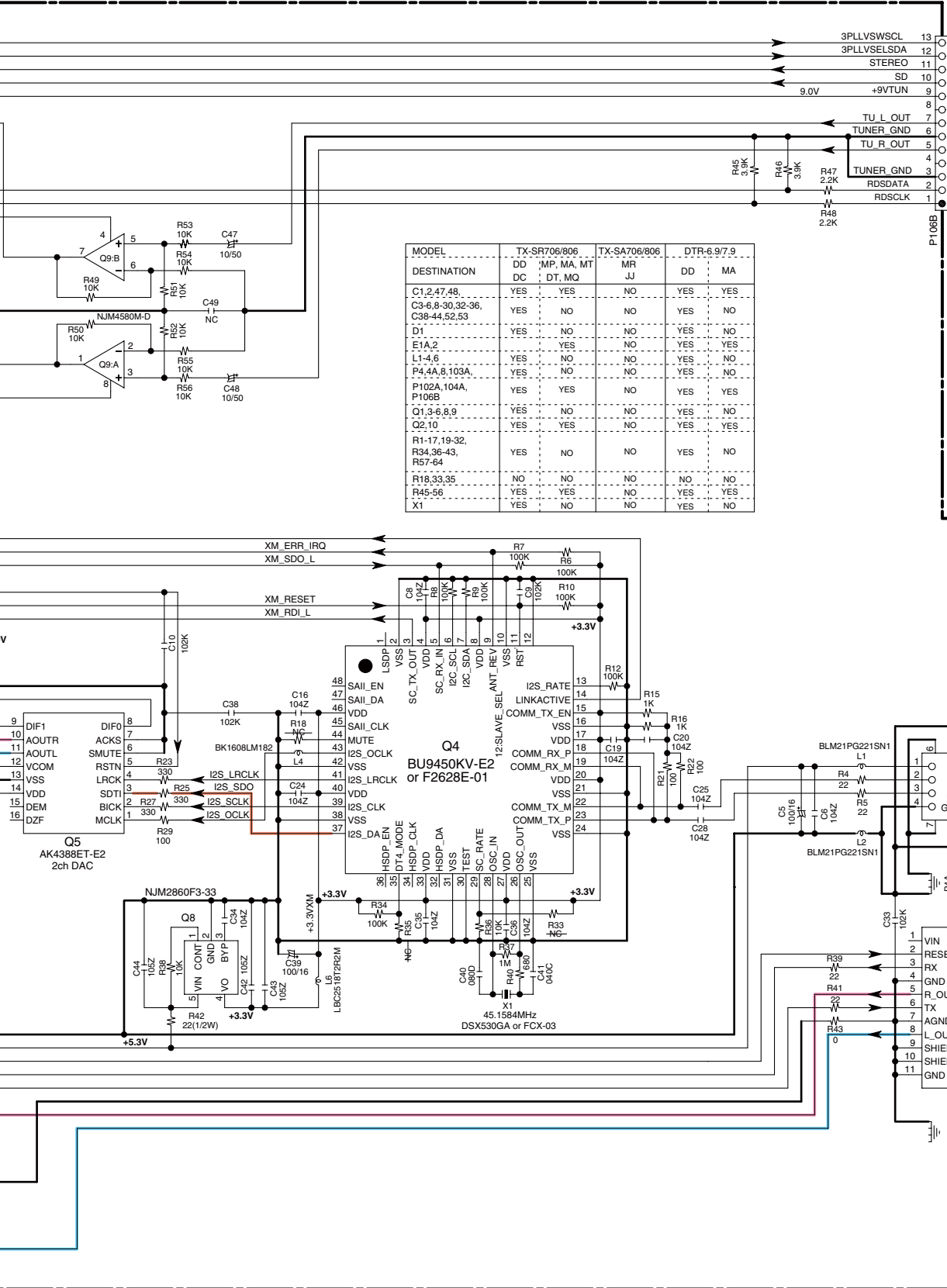


E

F

G

H



MODEL	TX-SR706/806	TX-SA706/806	DTR-6.9/7.9
DESTINATION	DD DC	MP, MA, MT DT, MO	MR JJ
C1,2,47,48	YES	YES	NO
C3-6,8-30,32-36, C38-44,52,53	YES	NO	NO
D1	YES	NO	NO
E1A,2	YES	YES	NO
L1-4,6	YES	NO	YES
P4,4A,8,103A, P102A,104A, P106B	YES	NO	NO
Q1,3-6,8,9	YES	YES	NO
Q2,10	YES	YES	NO
R1-17,19-32, R34,36-43, R57-64	YES	NO	YES
R18,33,35	NO	NO	NO
R45-56	YES	YES	NO
X1	YES	NO	YES

TO FM/AM
TUNER UNIT

XM

SIRIUS

3PLLVSWSCL 13
3PLLVSLSDA 12
STEREO 11
SD 10
+9VTUN 9
TU_L_OUT 8
TUNER_GND 7
TU_R_OUT 6
TUNER_GND 5
RDSDATA 4
RDSCLK 3
P106B 2
1

BLM21PG221SN1
L1
+V
D-
D+
GND

BLM21PG221SN1
L5
L6
R4
R5
R6

VIN
RESET
RX
GND
R_OUT
TX
AGND
L_OUT
SHIELD
SHIELD
GND

A

B

C

D

**SCHEMATIC DIAGRAM-16(SD-16)
WAVEFORM SECTION**

Digital Audio Waveform Part

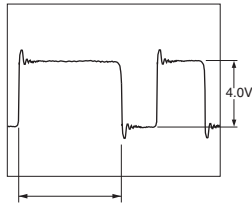
NOTE:

1. (WF01) is short for (Waveform01)
2. Refer to SD-7(SCHEMATIC DIAGRAM-9) for the location of each waveform on circuit.
3. SD-x:XY is short for Shcematic Diagram-x and each socket's location, X=A to H, Y=1 to 5.

LR CLOCK (SAI_LRCK, CX_LRCK)
Fs=48kHz : DVD, Clock width=20.8us
Fs=44.1kHz : CD, Clock width=22.7us

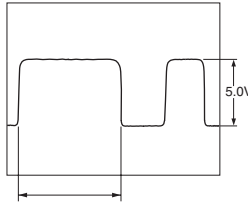
BIT CLOCK (SAI_SLCK, CX_SLCK)
64Fs=3072kHz : DVD, Clock width=325ns
64Fs=2822.4kHz : CD, Clock width=354ns

(WF01) OPT1 (SD-7:C5)



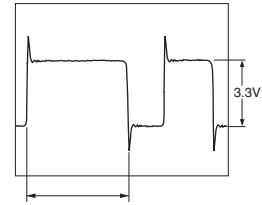
Duty varies according to audio data

(WF02) COAX1 (SD-7:C5)



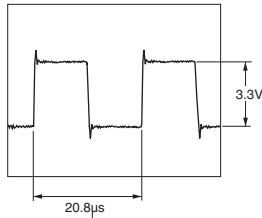
Duty always varies according to audio data

(WF03) SAI_SDOUT (SD-7:D5)

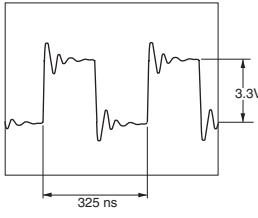


Duty varies according to audio data

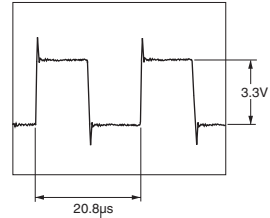
(WF04) SAI_LRCK (SD-7:D5)



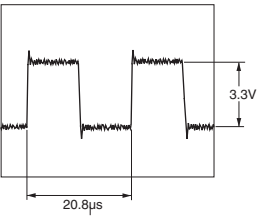
(WF05) SAI_SLCK (SD-7:D5)



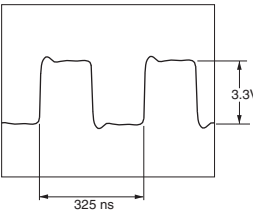
(WF06) PCMFLR3 (SD-7:E4)



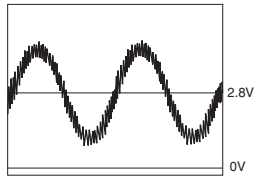
(WF07) CX_LRCK (SD-7:E4)



(WF08) CX_SCLK (SD-7:E4)

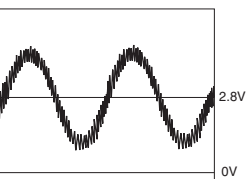


(WF09) FL+ (SD-7:F5)



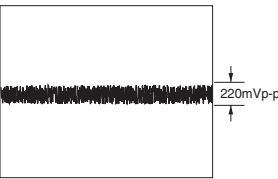
Analog audio waveform with aliasing noise

(WF10) DAC_FL (SD-7:H2)



Analog audio waveform with aliasing noise

(WF10) DAC_FL (SD-7:H2)



Aliasing noise in no audio data

1

2

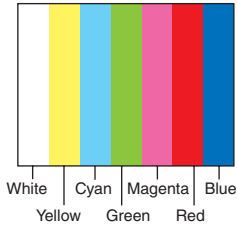
3

4

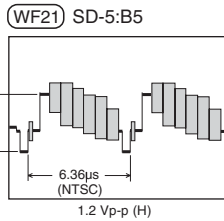
5

Video Waveform Part

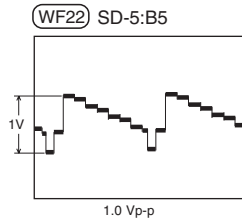
Video source color and pattern



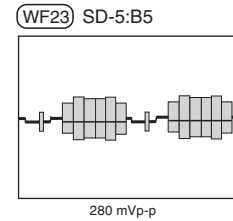
Composite waveform



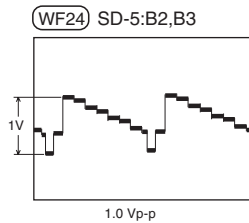
S-Video Y waveform



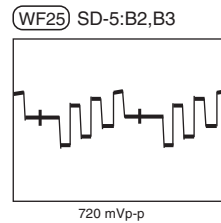
S-Video C waveform



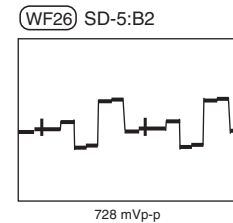
Component Y waveform



Component PB waveform



Component PR waveform



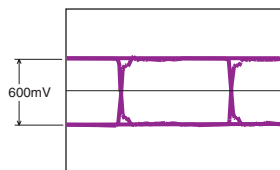
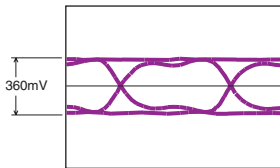
NOTE:

- (WF21) is short for (Waveform21)
- Refer to SD-5(SCHEMATIC DIAGRAM-6) for the location of each waveform on circuit.
- SD-x:XY is short for Schematic Diagram-x and each socket's location, X=A to H, Y=1 to 5.
- In the case that video outputs are not connected to video devices, video signal output levels are doubled.

HDMI Waveform Part

HDMI D0,D1,D2 waveform

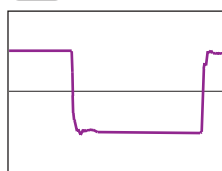
(WF41) SD-10:B3, H4 SD-11:B5



D0,D1,D2 Eye-pattern waveform, frequency and level vary according to video resolution, aspect and profile. Waveforms above are examples.

HDMI CK waveform

(WF42) SD-10:B3, H4 SD-11:B5

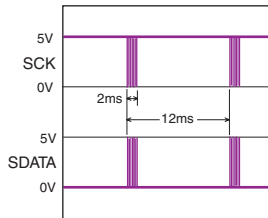


CK waveform, frequency and level differ according to video resolution, aspect and profile. D0,D1,D2 are just CK x10.

FL Driver IC Control Waveform Part

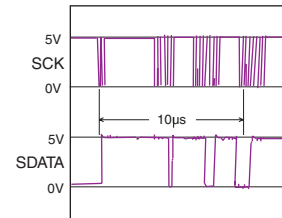
SCK/SDATA waveform

(WF61) SD-14:D3,F2



SCK/SDATA waveform

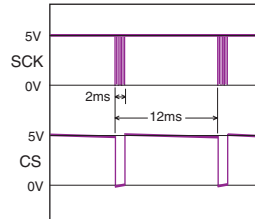
(WF61) SD-14:D3,F2



SDATA waveform varies according to the data content

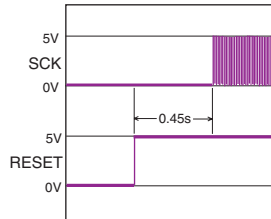
SCK/CS waveform

(WF62) SD-14:D3,F2



SCK/RESET waveform

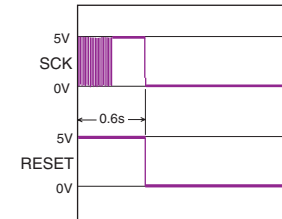
(WF63) SD-14:D3,F2



When power on

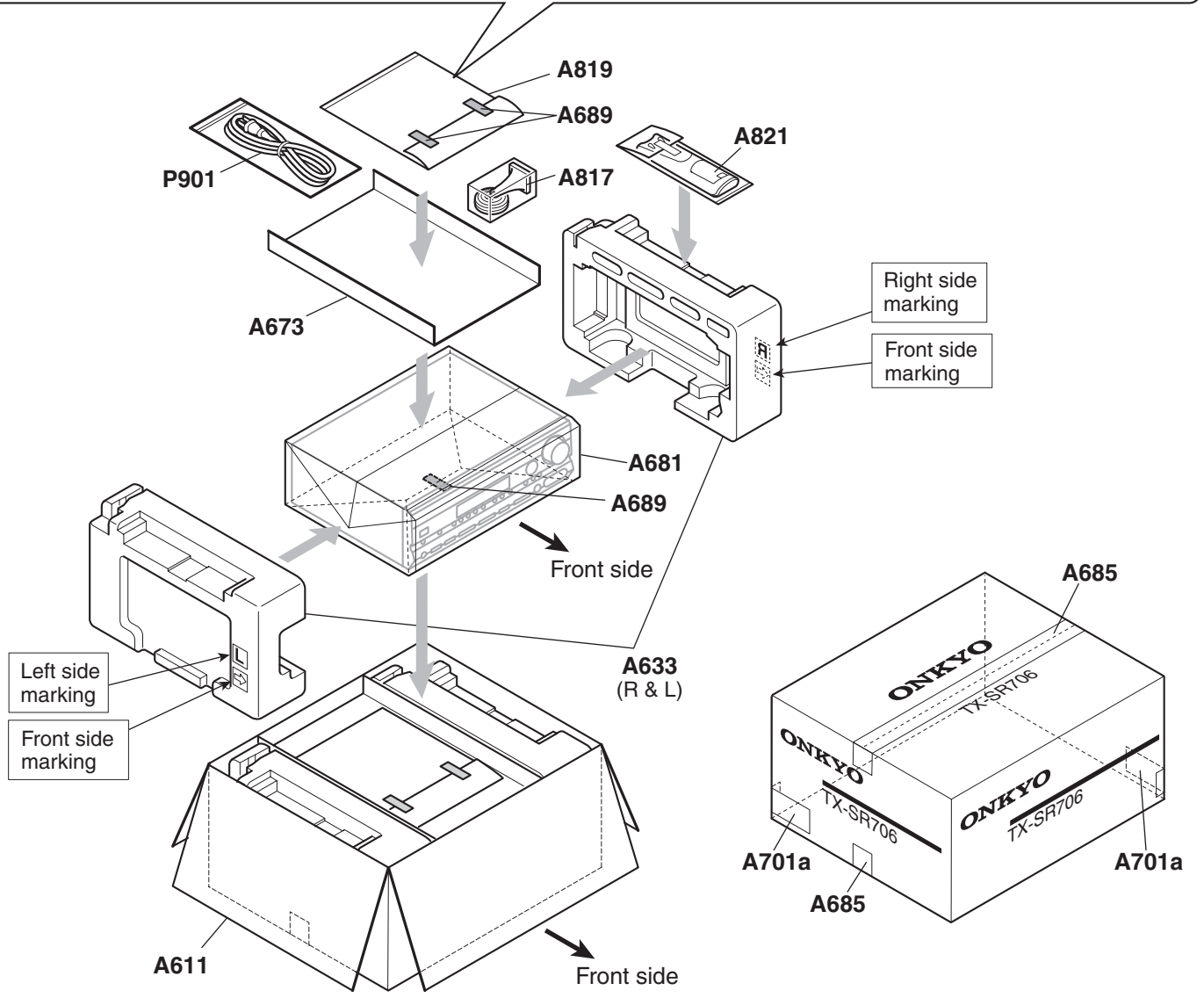
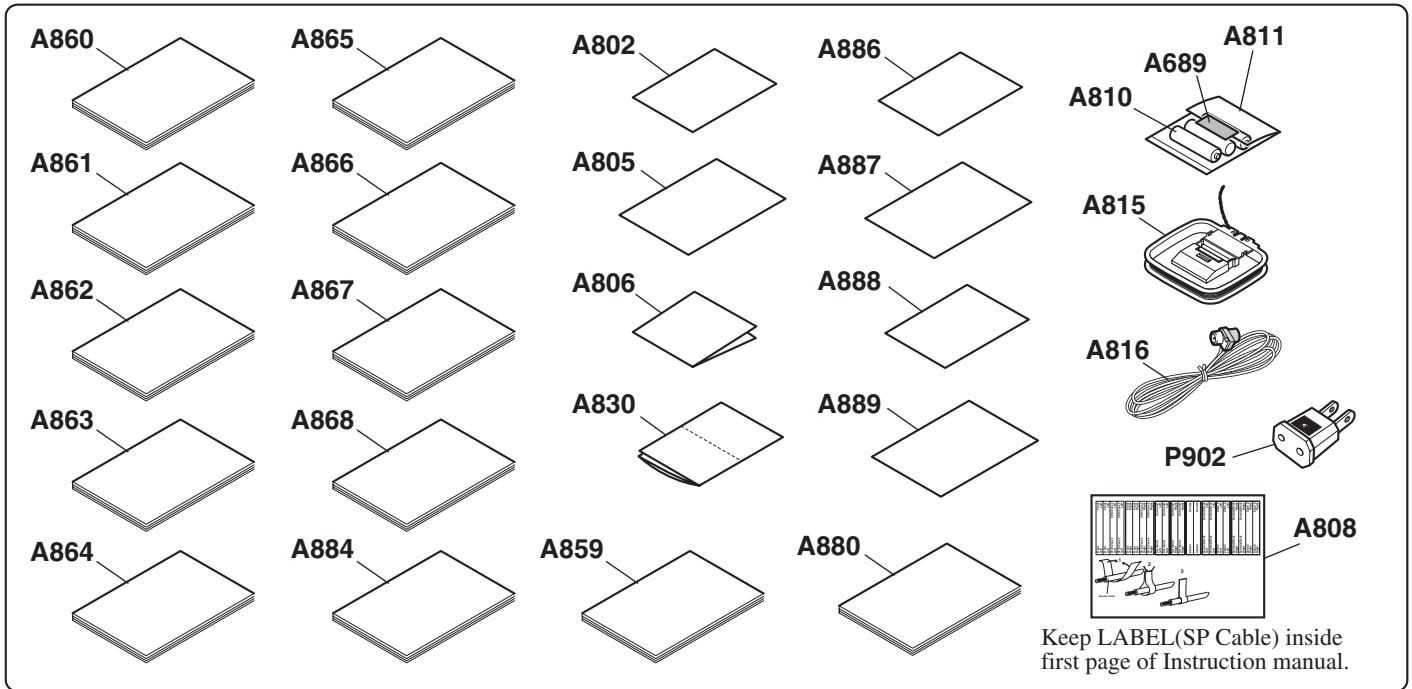
SCK/RESET waveform

(WF63) SD-14:D3,F2



When power off

PACKING PROCEDURE



TX-SR706/SA706

<Note>

- 1.Parts marked by "NSP" are generally unavailable because they are not in our Master Spare Parts List.
- 2.ICs marked by "NRP" are not replaceable because some pins on bottom are unable to see and touch.

NOTE : THE COMPONENTS IDENTIFIED BY THE MARK
! ARE CRITICAL FOR RISK OF FIRE AND
ELECTRIC SHOCK. REPLACE ONLY WITH PART
NUMBER SPECIFIED.

<Notes>

- | | |
|---------------------------------|--|
| (B) : TX-SR706 Black model | <DC> : TX-SR706 USA & Canadian model |
| (G) : TX-SR706 Golden model | <DD> : TX-SR706 USA model |
| (S) : TX-SR706 Silver model | <MP> : TX-SR706 European model |
| <SA706> : TX-SA706 Golden model | <MA> : TX-SR706 Australian model |
| <SR706> : TX-SR706 All model | <MO> : TX-SR706 Saudi model |
| | <DT> : TX-SR706 Asian model for 120V |
| | <MQ> : TX-SR706 Hong kong model |
| | <MT> : TX-SR706 Asian model for 220-240V |
| | <SA706> : TX-SA706 Chinese model |

EXPLODED VIEW PARTS LIST

REF. NO.	PART NAME	DESCRIPTION	Q'TY	PART NO. (SN)	REMARKS
A001	CHASSIS	.	1	---	NSP
A003	SCREW	4TTC+8C(3BC)	4	830440089GR	
A004	SPACER	.	1	27270439	
A015	SCREW	3TTB+8B(3CM)SR	45	801637	
A019	SCREW	3TTB+8B(3BC)	43	838430088GR	
A025	BOTTOM LEG	TX-SR506	4	27175441A	
A033	SCREW	3TTB+10B(3BC)	4	838430108GR	
A035	WASHER	W3*8F(3CM)	4	87613008GR	
A043	HEAT SINK	.	1	27160609A	
A047	SCREW	3SMS8W.SW+14B(CU)	14	801634	
A051	RETAINER	(HT-L7)	1	27142113	
A053	RETAINER	(HT-R7)	1	27142114	
A059	BRACKET	(FAN-S)	1	27131047	
A061	BUSHING	(FAN-S)	4	28170090	
A081	TAPE	TAPE(CLOTH-16U)	1	29110083	
A089	HOLDER	HOLDER KGLS-8S	5	27190480	
A091	HOLDER	KGLS-4S	1	27190009	
A093	HOLDER	KGPS-14RF	7	27190802	
A095	HOLDER	KGLS-14S	1	27190164	
A097	HOLDER	HOLDER KGLS-18S	4	27190470	
A101	HOLDER	KGLS-12RT	1	27190266	
A103	HOLDER	KGLS-10RT	1	27190428A	
A105	CLAMP	WS-2NS	1	27300833	
A107	RIVET	P-RIVET NRP-345	2	880009	
A108	RETAINER	(PC)	1	27142125	
A109	CUSHION	.	4	28141783	
A110	CUSHION	(PCB)	2	28141789	

A111	CUSHION	(BUTYL)	1	28141748	
A125	LABEL	(PT)	1	29363379-1	
A130	REAR PANEL	MDC	1	27123822	<DC, DD>
A130	REAR PANEL	MMP	1	27123823A	<MP, MA, MO, MT, MQ>
A130	REAR PANEL	MDT	1	27123826A	<DT>
A130	REAR PANEL	MMR	1	27123827	<SA706>
A131	LABEL	(SP)	1	29390382A	
A133	TAPE	TAPE(CLOTH-8U)	1	29110082	
A137	SCREW	3P+6FN(3BC)	5	82143006GR	
A139	SCREW	3P+6FN(3BC)	1	82143006GR	<DC, DD>
A141	SCREW	4TTB+8C(3BC)	2	838440089GR	<DT, MP, MA, MO, MT, MQ, SA706>
A143	SCREW	3TTB+8B(3CM)SR	1	801637	<DC, DD>
A145	SCREW	3TTB+8B(3CM)SR	1	801637	
A149	WASHER	W3*10F(3BC)	1	87643010GR	
A163	COVER	(B) (Bent)	1	28184972	(B)
A163	COVER	(S) (Bent)	1	28184973	(S)
A163	COVER	(G) (Bent)	1	28184974	(G), <SA706>
A163	COVER	(B) (Not bent)	1	28184972Z	<DC>
A163	COVER	(S) (Not bent)	1	28184973Z	<DD>
A179	SCREW	3TTB+8B(3BC)	6	838430088GR	(B)
A179	SCREW	3TTB+8B(3CM)SR	6	801637	(G), (S), <SA706>
A185	LABEL	(CAUTION)	1	29363796	(B)
A187	LABEL	(CAUTION)	1	29363797	(S)
A189	LABEL	(CAUTION)	1	29363798	(G), <SA706>
A191	LABEL	HOOKUP-ONKYO	1	29363194	<DC, DD>
A201	F BRACKET	TXSR706(B)	1	27111504	(B)
A201 or	F BRACKET	TXSR706(B)	(1)	27111504-1	(B)
A201	F BRACKET	TX-SR706(S)	1	27111508	(S)
A201 or	F BRACKET	TX-SR706(S)	(1)	27111508-1	(S)
A201	F BRACKET	TXSR706(G)	1	27111509	(G), <SA706>
A201 or	F BRACKET	TXSR706(G)	(1)	27111509-1	(G), <SA706>
A209	BADGE	BADGE	1	28135244	(B)
A209	BADGE	BADGE	1	28135245	(G), <SA706>
A209	BADGE	.	1	28135298	(S)
A211	B PLATE	706(B)	1	28133434	(B)
A211	B PLATE	706(S)/(G)	1	28133435	(G), (S), <SA706>
A213	IB CUSHION	W15*3t TAPE	1	28141585	
A301	KNOB	VOLAS(B)	1	28326654	(B)
A301	KNOB	VOLAS(S)	1	28326655	(S)
A301	KNOB	VOLAS(G)	1	28326656	(G), <SA706>
A303	GUIDE	(VOL) MILKY	1	27268210	
A305	KNOB	(PURE)AS BLACK	1	28326582B	(B)
A305	KNOB	(PURE)AS SILVER	1	28326583B	(S)
A305	KNOB	(PURE) AS GOLD	1	28326634A	(G), <SA706>
A307	KNOB	(SETUP) BLACK	1	28326517B	
A309	SPRING	.	1	27180596	
A311	CAP	(AUX) BLACK	1	28330178	(B)<MP>
A311	CAP	(AUX) SILVER	1	28330179	(S)<MP>
A317	HOLDER	KGLS-4S	3	27190009	
A351	F PANEL	(B)MDC	1	27213121A	<DC>
A351	F PANEL	(S)MDC	1	27213122A	<DD>
A351	F PANEL	(B)MMP	1	27213123A	(B)<MP, MA, MO>
A351	F PANEL	(S)MMP	1	27213124A	(S)

A351	F PANEL	(G)MMT	1	27213125A	(G)
A351	F PANEL	(G)MGR	1	27213126A	<SA706>
A355	CLEAR PLT	(B)MDC	1	28192199A	
A583	CUSHION	(T3*W35*D10)	1	28141741	
A585	CUSHION	t5*30*5	1	28141562	
F4000	FUSE	4A-UL/T-233	1	252325GR	!
F4000 or	FUSE	4A-T/UL-ST2	(1)	252257GR	!
F4001	FUSE	4A-UL/T-233	1	252325GR	!
F4001 or	FUSE	4A-T/UL-ST2	(1)	252257GR	!
F6901	FUSE	15A-TUL-250V	1	252303GR	!
F6902	FUSE	15A-TUL-250V	1	252303GR	!
F901	FUSE	10A-UL/T-233	1	252330GR	!
F901 or	FUSE	10A-T/UL-ST2	(1)	252333GR	!, <DC, DD, DT>
F901	FUSE	5A-SE-EAK FUSE	1	252078GR	!, <MP, MA, MO, MT, MQ, SA706>
F901 or	FUSE	5A-SE-TL250V	(1)	252278GR	!, <MP, MA, MO, MT, MQ, SA706>
F901A	FUSE LABEL	10A/125V	1	29362241	!, <DC, DD, DT>
F901A	LABEL	T5AL250V	1	29361938	!, <MP, MA, MO, MT, MQ, SA706>
P1007	FFC	NCFC7-401522	1	2047401522	
P106	FFC	NCFC7-130522	1	2047130522	<SR706>
P4102	FFC	NCFC7-172012	1	2047172012	
P4103	FFC	NCFC7-111012	1	2047111012	
P500	WIRE TIE	BSK-1	9	260208	
P6600A	P RIVET	JB-407A-C	18	880052	<DT, MP, MA, MO, MT, MQ, SA706>
P691	FAN	D05X-12TL	1	24502317	
P901	AC CORD	AS-UC-2	1	253368BLTK	!, <DC, DD>
P901 or	AC CORD	AS-UC-2	(1)	253333VOL	!, <DC, DD>
P901 or	AC CORD	AS-UC-2	(1)	253368AYUN	!, <DC, DD>
P901D	BUSHING	S-RELIEF #2271	1	27300750	<DC, DD>
Q6050	TR	2SC5242-O	1	2202843	
Q6050 or	TR	2SC5242-R	(1)	2202842	
Q6050A	ISO SHEET	AC238	2	223024	
Q6050B	ISO SHEET	ISO SHEET	6	223041	
Q6051	TR	2SC5242-O	1	2202843	
Q6051 or	TR	2SC5242-R	(1)	2202842	
Q6052	TR	2SC5242-O	1	2202843	
Q6052 or	TR	2SC5242-R	(1)	2202842	
Q6053	TR	2SC5242-O	1	2202843	
Q6053 or	TR	2SC5242-R	(1)	2202842	
Q6054	TR	2SC5242-O	1	2202843	
Q6054 or	TR	2SC5242-R	(1)	2202842	
Q6055	TR	2SC5242-O	1	2202843	
Q6055 or	TR	2SC5242-R	(1)	2202842	
Q6056	TR	2SC5242-O	1	2202843	
Q6056 or	TR	2SC5242-R	(1)	2202842	
Q6060	TR	2SA1962-O	1	2202833	
Q6060 or	TR	2SA1962-R	(1)	2202832	
Q6061	TR	2SA1962-O	1	2202833	
Q6061 or	TR	2SA1962-R	(1)	2202832	
Q6062	TR	2SA1962-O	1	2202833	
Q6062 or	TR	2SA1962-R	(1)	2202832	
Q6063	TR	2SA1962-O	1	2202833	
Q6063 or	TR	2SA1962-R	(1)	2202832	
Q6064	TR	2SA1962-O	1	2202833	

Q6064 or	TR	2SA1962-R	(1)	2202832	
Q6065	TR	2SA1962-O	1	2202833	
Q6065 or	TR	2SA1962-R	(1)	2202832	
Q6066	TR	2SA1962-O	1	2202833	
Q6066 or	TR	2SA1962-R	(1)	2202832	

<Notes>

When replacing the following the transistors, use ones of the same hfe rank as the original type.

Ref. No. : Q6050 - 6060, Q6051 - 6061, Q6052 - 6062, Q6053 - 6063, Q6054 - 6064, Q6055 - 6065, Q6056 - 6066

T901	P TRANS	NPT-1570D	1	2301931	!, <DC, DD, DT>
T901	P TRANS	NPT-1570M	1	2301932	!, <MP, MA, MO, MT, MQ, SA706>
U01	AMPLIFIER PC board ass'y	NAAMP-9477-1A	1	1B209577-1A	<DC, DD>
		NAAMP-9477-1B	1	1B209577-1B	<DT, MP, MA, MO, MQ, MT>
		NAAMP-9477-1D	1	1B209577-1D	<SA706>
U02	THERMAL SENSOR PC board ass'y	NAETC-9478-1A	1	1B209578-1A	<DC, DD>
		NAETC-9478-1B	1	1B209578-1B	<DT, MP, MA, MO, MQ, MT>
		NAETC-9478-1D	1	1B209578-1D	<SA706>
U07	AMPLIFIER PC board ass'y	NAASP-9483-1A	1	1B209583-1A	<DC, DD>
		NAASP-9483-1B	1	1B209583-1B	<DT, MP, MA, MO, MQ, MT>
		NAASP-9483-1D	1	1B209583-1D	<SA706>
U08	SP TERMINAL PC board ass'y	NATRM-9488-1A	1	1B209588-1A	<DC, DD>
		NATRM-9488-1B	1	1B209588-1B	<MP, MA, MO, MT, MQ, SA706>
		NATRM-9488-1C	1	1B209588-1C	<DT>
U09	SP TERMINAL PC board ass'y	NATRM-9489-1A	1	1B209589-1A	<DC, DD>
		NATRM-9489-1B	1	1B209589-1B	<MP, MA, MO, MT, MQ, SA706>
		NATRM-9489-1C	1	1B209589-1C	<DT>
U10	POWER SUPPLY PC board ass'y	NAPS-9490-1A	1	1B209590-1A	<DC, DD>
		NAPS-9490-1B	1	1B209590-1B	<MP, MA, MO, MT, MQ, SA706>
		NAPS-9490-1C	1	1B209590-1C	<DT>
U11	INLET PC board ass'y	NAETC-9491-1A	0	---	<DC, DD>
		NAETC-9491-1B	1	1B209591-1B	<MP, MA, MO, MT, MQ, SA706>
		NAETC-9491-1C	1	1B209591-1C	<DT>
U12	SWITCH PC board ass'y	NASW-9492-1A	0	---	<DC, DD>
		NASW-9492-1B	1	1B209592-1B	<MP, MA, MO, MT, MQ, SA706>
		NASW-9492-1C	1	1B209592-1C	<DT>
U13	AMPLIFIER PC board ass'y	NACLA-9493-1A	1	1B209593-1A	<DC, DD>
		NACLA-9493-1B	1	1B209593-1B	<MP, MA, MO, MT, MQ, SA706>
		NACLA-9493-1C	1	1B209593-1C	<DT>
U15	HOLDER PC board ass'y	NAETC-9495-1A	1	1B209595-1A	<DC, DD>
		NAETC-9495-1B	1	1B209595-1B	<MP, MA, MO, MT, MQ, SA706>
		NAETC-9495-1C	1	1B209595-1C	<DT>
U16	MICROPROCESSOR AND DAC PC board ass'y	NADG-9504-1A	1	1B209504-1A	<DC, DD>
		NADG-9504-1B	1	1B209504-1B	<DT, MP, MA, MO, MT, MQ>
		NADG-9504-1D	1	1B209504-1D	<SA706>
U17	VIDEO PC board ass'y	NAVD-9505-1A	1	1B209505-1A	<DC, DD>
		NAVD-9505-1B	1	1B209505-1B	<DT, MP, MA, MO, MT, MQ>
		NAVD-9505-1D	1	1B209505-1D	<SA706>
U19	XM PC board ass'y	NARF-9507-1A	1	1B209507-1A	<DC, DD>
		NARF-9507-1B	1	1B209507-1B	<DT, MP, MA, MO, MT, MQ>
		NARF-9507-1D	0	---	<SA706>
U20	HDMI PC board ass'y	NAHDM-9562-1A	1	1B209562-1A	
U21	DISPLAY PC board ass'y	NADIS-9515-1A	1	1B209515-1A	
U22	SWITCH PC board ass'y	NASW-9516-1A	1	1B209516-1A	
U23	HEADPHONE PC board ass'y	NAETC-9517-1A	1	1B209517-1A	

U24	OPT TERMINAL PC board ass'y	NAETC-9518-1A	1	1B209518-1A	
U25	DISPLAY PC board ass'y	NAETC-9519-1A	1	1B209519-1A	
U26	POWER SUPPLY PC board ass'y	NAPS-9520-1A	1	1B209520-1A	
U27	HOLDER PC board ass'y	NAETC-9521-1A	1	1B209521-1A	
U28	HOLDER PC board ass'y	NAETC-9522-1A	1	1B209522-1A	
U011	TUNER UNIT	ENG06507QFUS	1	240156	<DC, DD>
U011 or	TUNER UNIT	FAE385-A11US	(1)	240152	<DC, DD>
U011	TUNER UNIT	FAE485-E11EU	1	240154	<DT, MP, MA, MO, MT, MQ>

TX-SR706/SA706

PC BOARD PARTS LIST

U01	AMPLIFIER PC BOARD(NAAMP-9477-1A/1B/1D)
U02	THERMAL SENSOR PC BOARD(NAETC-9478-1A/1B/1D)
U07	AMPLIFIER PC BOARD(NAASP-9483-1A/1B/1D)

CIRCUIT NO.	PART NAME	DESCRIPTION	Q'TY	PART NO. (SN)	REMARKS
Q5501	IC	R2A15215FP	1	22242516R3	
Q5503	IC	NJM4580M-D	1	22241448R2	
Q5600	TR	RN1441	1	2215410R2	
Q5601	TR	RN1441	1	2215410R2	
Q5602	TR	RN1441	1	2215410R2	
Q5603	TR	RN1441	1	2215410R2	
Q5604	TR	RN1441	1	2215410R2	
Q5605	TR	RN1441	1	2215410R2	
Q5606	TR	RN1441	1	2215410R2	
Q5607	TR	RN1441	1	2215410R2	
Q5610	TR	RN1441	1	2215410R2	
Q5611	TR	RN1441	1	2215410R2	
Q5612	TR	RN1441	1	2215410R2	
Q5613	TR	RN1441	1	2215410R2	
Q5614	TR	RN1441	1	2215410R2	
Q5615	TR	RN1441	1	2215410R2	
Q5616	TR	RN1441	1	2215410R2	
Q5617	TR	RN1441	1	2215410R2	
Q5618	IC	NJM4580M-D	1	22241448R2	
Q5630	IC	NJM4580M-D	1	22241448R2	
Q5670	IC	78M15HF(NJM78M15FA)	1	222780155JRC	
Q5670 or	IC	UPC78M15AHF-AZ	(1)	222780155NEC	
Q5670A	HEAT SINK	RAD-196	1	27160545	
Q5670B	SCREW	3P+10FN(3BC)	1	82143010GR	
Q5671	IC	79M15HF(NJM79M15FA)	1	222790155JRC	
Q5671 or	IC	79M15F(AN79M15F)	(1)	222790155MAT	
Q5671 or	IC	UPC79M15HF-AZ	(1)	222790155NEC	
Q5671B	SCREW	3P+10FN(3BC)	1	82143010GR	
Q5684	TR	2SC2235-O(TPE6_F)	1	2211653T	
Q5685	TR	2SA965-O(TPE6_F)	1	2211643T	
Q5700	TR	RN1402	1	2214470R2	
Q5701	TR	RN1402	1	2214470R2	
Q5903	TR	RN1441	1	2215410R2	
Q5904	TR	RN1441	1	2215410R2	
Q6000	TR	2SC1740S-S	1	2213285T	

Q6001	TR	2SC1740S-S	1	2213285T
Q6002	TR	2SC1740S-S	1	2213285T
Q6003	TR	2SC1740S-S	1	2213285T
Q6004	TR	2SC1740S-S	1	2213285T
Q6005	TR	2SC1740S-S	1	2213285T
Q6006	TR	2SC1740S-S	1	2213285T
Q6010	TR	2SC1740S-S	1	2213285T
Q6011	TR	2SC1740S-S	1	2213285T
Q6012	TR	2SC1740S-S	1	2213285T
Q6013	TR	2SC1740S-S	1	2213285T
Q6014	TR	2SC1740S-S	1	2213285T
Q6015	TR	2SC1740S-S	1	2213285T
Q6016	TR	2SC1740S-S	1	2213285T
Q6030	TR	2SC2229-Y(TPE6_F)	1	2211634T
Q6030 or	TR	2SC2229-O(TPE6_F)	(1)	2211633T
Q6031	TR	2SC2229-Y(TPE6_F)	1	2211634T
Q6031 or	TR	2SC2229-O(TPE6_F)	(1)	2211633T
Q6032	TR	2SC2229-Y(TPE6_F)	1	2211634T
Q6032 or	TR	2SC2229-O(TPE6_F)	(1)	2211633T
Q6033	TR	2SC2229-Y(TPE6_F)	1	2211634T
Q6033 or	TR	2SC2229-O(TPE6_F)	(1)	2211633T
Q6034	TR	2SC2229-Y(TPE6_F)	1	2211634T
Q6034 or	TR	2SC2229-O(TPE6_F)	(1)	2211633T
Q6035	TR	2SC2229-Y(TPE6_F)	1	2211634T
Q6035 or	TR	2SC2229-O(TPE6_F)	(1)	2211633T
Q6036	TR	2SC2229-Y(TPE6_F)	1	2211634T
Q6036 or	TR	2SC2229-O(TPE6_F)	(1)	2211633T
Q6040	TR	2SA949-O(TPE6_F)	1	2211353T
Q6040 or	TR	2SA949-Y(TPE6_F)	(1)	2211354T
Q6041	TR	2SA949-O(TPE6_F)	1	2211353T
Q6041 or	TR	2SA949-Y(TPE6_F)	(1)	2211354T
Q6042	TR	2SA949-O(TPE6_F)	1	2211353T
Q6042 or	TR	2SA949-Y(TPE6_F)	(1)	2211354T
Q6043	TR	2SA949-O(TPE6_F)	1	2211353T
Q6043 or	TR	2SA949-Y(TPE6_F)	(1)	2211354T
Q6044	TR	2SA949-O(TPE6_F)	1	2211353T
Q6044 or	TR	2SA949-Y(TPE6_F)	(1)	2211354T
Q6045	TR	2SA949-O(TPE6_F)	1	2211353T
Q6045 or	TR	2SA949-Y(TPE6_F)	(1)	2211354T
Q6046	TR	2SA949-O(TPE6_F)	1	2211353T
Q6046 or	TR	2SA949-Y(TPE6_F)	(1)	2211354T
Q6070	TR	2SC2229-O(TPE6_F)	1	2211633T
Q6070 or	TR	2SC2229-Y(TPE6_F)	(1)	2211634T
Q6071	TR	2SC2229-O(TPE6_F)	1	2211633T
Q6071 or	TR	2SC2229-Y(TPE6_F)	(1)	2211634T
Q6072	TR	2SC2229-O(TPE6_F)	1	2211633T
Q6072 or	TR	2SC2229-Y(TPE6_F)	(1)	2211634T
Q6073	TR	2SC2229-O(TPE6_F)	1	2211633T
Q6073 or	TR	2SC2229-Y(TPE6_F)	(1)	2211634T
Q6074	TR	2SC2229-O(TPE6_F)	1	2211633T
Q6074 or	TR	2SC2229-Y(TPE6_F)	(1)	2211634T
Q6075	TR	2SC2229-O(TPE6_F)	1	2211633T
Q6075 or	TR	2SC2229-Y(TPE6_F)	(1)	2211634T

Q6076	TR	2SC2229-Q(TPE6_F)	1	2211633T
Q6076 or	TR	2SC2229-Y(TPE6_F)	(1)	2211634T
Q6100	TR	2SA1930(ONK_Q)	1	2203000
Q6100 or	TR	2SA2140-Q_P	(1)	2217151
Q6101	TR	2SA1930(ONK_Q)	1	2203000
Q6101 or	TR	2SA2140-Q_P	(1)	2217151
Q6102	TR	2SA1930(ONK_Q)	1	2203000
Q6102 or	TR	2SA2140-Q_P	(1)	2217151
Q6103	TR	2SA1930(ONK_Q)	1	2203000
Q6103 or	TR	2SA2140-Q_P	(1)	2217151
Q6104	TR	2SA1930(ONK_Q)	1	2203000
Q6104 or	TR	2SA2140-Q_P	(1)	2217151
Q6105	TR	2SA1930(ONK_Q)	1	2203000
Q6105 or	TR	2SA2140-Q_P	(1)	2217151
Q6106	TR	2SA1930(ONK_Q)	1	2203000
Q6106 or	TR	2SA2140-Q_P	(1)	2217151
Q6110	TR	2SC5171(ONK_Q)	1	2203010
Q6110 or	TR	2SC5993-Q_P	(1)	2217161
Q6111	TR	2SC5171(ONK_Q)	1	2203010
Q6111 or	TR	2SC5993-Q_P	(1)	2217161
Q6112	TR	2SC5171(ONK_Q)	1	2203010
Q6112 or	TR	2SC5993-Q_P	(1)	2217161
Q6113	TR	2SC5171(ONK_Q)	1	2203010
Q6113 or	TR	2SC5993-Q_P	(1)	2217161
Q6114	TR	2SC5171(ONK_Q)	1	2203010
Q6114 or	TR	2SC5993-Q_P	(1)	2217161
Q6115	TR	2SC5171(ONK_Q)	1	2203010
Q6115 or	TR	2SC5993-Q_P	(1)	2217161
Q6116	TR	2SC5171(ONK_Q)	1	2203010
Q6116 or	TR	2SC5993-Q_P	(1)	2217161
Q6380	IC	LM61CIZ	1	22242212
Q6380A	RETAINER	(PTH)	1	27141884-1
Q6701	TR	2SC2712-GR	1	2213145R2
Q6701 or	TR	KTC3875-GR	(1)	2216175R2
Q6702	TR	2SC2712-GR	1	2213145R2
Q6702 or	TR	KTC3875-GR	(1)	2216175R2
Q6703	TR	2SA1163-BL(TE85L_F)	1	2216756R2
Q6707	TR	2SC2712-GR	1	2213145R2
Q6707 or	TR	KTC3875-GR	(1)	2216175R2
Q6713	TR	2SA1163-BL(TE85L_F)	1	2216756R2
D5500	ZENER D	MTZJ7.5B	1	224470752T
D5501	ZENER D	MTZJ7.5B	1	224470752T
D5505	C-DIODE	1SS352	1	223234R2
D5506	C-DIODE	1SS352	1	223234R2
D5507	C-DIODE	1SS352	1	223234R2
D5507 or	C-DIODE	1SS355	(1)	223269R2
D5507 or	C-DIODE	KDS4148U	(1)	223283R2
D5507 or	C-DIODE	MA2J1110GL	(1)	223302R2
D5508	C-DIODE	1SS352	1	223234R2
D5508 or	C-DIODE	1SS355	(1)	223269R2
D5508 or	C-DIODE	KDS4148U	(1)	223283R2
D5508 or	C-DIODE	MA2J1110GL	(1)	223302R2
D5509	C-DIODE	1SS352	1	223234R2

D5509 or	C-DIODE	1SS355	(1)	223269R2
D5509 or	C-DIODE	KDS4148U	(1)	223283R2
D5509 or	C-DIODE	MA2J1110GL	(1)	223302R2
D5510	C-DIODE	1SS352	1	223234R2
D5510 or	C-DIODE	1SS355	(1)	223269R2
D5510 or	C-DIODE	KDS4148U	(1)	223283R2
D5510 or	C-DIODE	MA2J1110GL	(1)	223302R2
D5517	C-DIODE	1SS352	1	223234R2
D5517 or	C-DIODE	1SS355	(1)	223269R2
D5517 or	C-DIODE	KDS4148U	(1)	223283R2
D5517 or	C-DIODE	MA2J1110GL	(1)	223302R2
D5518	C-DIODE	1SS352	1	223234R2
D5518 or	C-DIODE	1SS355	(1)	223269R2
D5518 or	C-DIODE	KDS4148U	(1)	223283R2
D5518 or	C-DIODE	MA2J1110GL	(1)	223302R2
D5601	C-DIODE	S1NB60-4062	1	22380318R2
D6000	C-DIODE	1SS352	1	223234R2
D6000 or	C-DIODE	1SS355	(1)	223269R2
D6000 or	C-DIODE	KDS4148U	(1)	223283R2
D6000 or	C-DIODE	MA2J1110GL	(1)	223302R2
D6001	C-DIODE	1SS352	1	223234R2
D6001 or	C-DIODE	1SS355	(1)	223269R2
D6001 or	C-DIODE	KDS4148U	(1)	223283R2
D6001 or	C-DIODE	MA2J1110GL	(1)	223302R2
D6002	C-DIODE	1SS352	1	223234R2
D6002 or	C-DIODE	1SS355	(1)	223269R2
D6002 or	C-DIODE	KDS4148U	(1)	223283R2
D6002 or	C-DIODE	MA2J1110GL	(1)	223302R2
D6003	C-DIODE	1SS352	1	223234R2
D6003 or	C-DIODE	1SS355	(1)	223269R2
D6003 or	C-DIODE	KDS4148U	(1)	223283R2
D6003 or	C-DIODE	MA2J1110GL	(1)	223302R2
D6004	C-DIODE	1SS352	1	223234R2
D6004 or	C-DIODE	1SS355	(1)	223269R2
D6004 or	C-DIODE	KDS4148U	(1)	223283R2
D6004 or	C-DIODE	MA2J1110GL	(1)	223302R2
D6005	C-DIODE	1SS352	1	223234R2
D6005 or	C-DIODE	1SS355	(1)	223269R2
D6005 or	C-DIODE	KDS4148U	(1)	223283R2
D6005 or	C-DIODE	MA2J1110GL	(1)	223302R2
D6006	C-DIODE	1SS352	1	223234R2
D6006 or	C-DIODE	1SS355	(1)	223269R2
D6006 or	C-DIODE	KDS4148U	(1)	223283R2
D6006 or	C-DIODE	MA2J1110GL	(1)	223302R2
D6701	C-DIODE	1SS352	1	223234R2
D6701 or	C-DIODE	1SS355	(1)	223269R2
D6701 or	C-DIODE	KDS4148U	(1)	223283R2
D6701 or	C-DIODE	MA2J1110GL	(1)	223302R2
D6702	C-DIODE	1SS352	1	223234R2
D6702 or	C-DIODE	1SS355	(1)	223269R2
D6702 or	C-DIODE	KDS4148U	(1)	223283R2
D6702 or	C-DIODE	MA2J1110GL	(1)	223302R2
D6703	ZENER D	UDZS3.6B	1	224550360R2

D6704	ZENER D	UDZS3.6B	1	224550360R2
D6713	ZENER D	UDZS3.6B	1	224550360R2
D6901	DIODE	D10XB60H	1	22380337
D6901A	HEAT SINK	RAD-196	1	27160545
D6901B	TAPE	TAPE(CLOTH-8U)	1	29110082
D6901C	SCREW	3P+10FN(3BC)	2	82143010GR
D6902	C-DIODE	1SS352	1	223234R2
D6902 or	C-DIODE	1SS355	(1)	223269R2
D6902 or	C-DIODE	KDS4148U	(1)	223283R2
D6902 or	C-DIODE	MA2J1110GL	(1)	223302R2
D6903	DIODE	D10XB60H	1	22380337
L6000	FR CORE	*	1	5597-45502
L6001	FR CORE	*	1	5597-45502
L6002	FR CORE	*	1	5597-45502
L6003	FR CORE	*	1	5597-45502
L6004	FR CORE	*	1	5597-45502
L6005	FR CORE	*	1	5597-45502
L6006	FR CORE	*	1	5597-45502
L6010	FR CORE	*	1	5597-45502
L6011	FR CORE	*	1	5597-45502
L6012	FR CORE	*	1	5597-45502
L6013	FR CORE	*	1	5597-45502
L6014	FR CORE	*	1	5597-45502
L6015	FR CORE	*	1	5597-45502
L6016	FR CORE	*	1	5597-45502
C5501	C-CERA C	CC725CH1H-221J1	1	342102214R1
C5502	C-CERA C	CC725CH1H-221J1	1	342102214R1
C5503	TF C	ECQ-B50V-221K	1	374722215T
C5504	TF C	ECQ-B50V-221K	1	374722215T
C5507	C-CERA C	CC725CH1H-221J1	1	342102214R1
C5508	C-CERA C	CC725CH1H-221J1	1	342102214R1
C5509	C-CERA C	CC725CH1H-221J1	1	342102214R1
C5510	C-CERA C	CC725CH1H-221J1	1	342102214R1
C5511	C-CERA C	CC725CH1H-221J1	1	342102214R1
C5512	C-CERA C	CC725CH1H-221J1	1	342102214R1
C5515	C-CERA C	CC725CH1H-221J1	1	342102214R1
C5516	C-CERA C	CC725CH1H-221J1	1	342102214R1
C5519	TF C	ECQ-B50V-221K	1	374722215T
C5520	TF C	ECQ-B50V-221K	1	374722215T
C5521	TF C	ECQ-B50V-221K	1	374722215T
C5522	C-CERA C	CC725CH1H-221J1	1	342102214R1
C5523	C-CERA C	CC725CH1H-221J1	1	342102214R1
C5524	C-CERA C	CC725CH1H-221J1	1	342102214R1
C5525	C-CERA C	CC725CH1H-221J1	1	342102214R1
C5526	C-CERA C	CC725CH1H-221J1	1	342102214R1
C5527	C-CERA C	CC725CH1H-221J1	1	342102214R1
C5528	C-CERA C	CC725CH1H-221J1	1	342102214R1
C5529	C-CERA C	CC725CH1H-221J1	1	342102214R1
C5530	C-CERA C	CC725CH1H-221J1	1	342102214R1
C5531	C-CERA C	CC725CH1H-221J1	1	342102214R1
C5532	C-CERA C	CC725CH1H-221J1	1	342102214R1
C5533	C-CERA C	CC725CH1H-221J1	1	342102214R1
C5534	C-CERA C	CC725CH1H-221J1	1	342102214R1

C5540	UTSP C	CE04W50V-10M(UTSP)	1	397581007T	
C5541	UTSP C	CE04W50V-10M(UTSP)	1	397581007T	
C5542	UTSP C	CE04W50V-10M(UTSP)	1	397581007T	
C5543	UTSP C	CE04W50V-10M(UTSP)	1	397581007T	
C5548	C-CERA C	CK725F1E-104Z1	1	332161040R1	
C5549	C-CERA C	CK725F1E-104Z1	1	332161040R1	
C5550	C-CERA C	CK725B1H-152K1	1	332101525R1	
C5551	C-CERA C	CK725B1H-152K1	1	332101525R1	
C5555	UTSP C	CE04W25V-47M(UTSP)	1	397554707T	
C5569	UTSP C	CE04W50V 47M(UTSP)	1	397584707T	
C5570	UTSP C	CE04W50V 47M(UTSP)	1	397584707T	
C5571	UTSP C	CE04W50V 47M(UTSP)	1	397584707T	
C5572	UTSP C	CE04W50V 47M(UTSP)	1	397584707T	
C5573	UTSP C	CE04W50V 47M(UTSP)	1	397584707T	
C5574	UTSP C	CE04W50V 47M(UTSP)	1	397584707T	
C5575	UTSP C	CE04W50V 47M(UTSP)	1	397584707T	
C5576	UTSP C	CE04W50V 47M(UTSP)	1	397584707T	
C5577	UTSP C	CE04W25V-47M(UTSP)	1	397554707T	
C5578	UTSP C	CE04W25V-47M(UTSP)	1	397554707T	
C5579	C-CERA C	CC725CH1H-102J1	1	342101024R1	
C5580	UTSP C	CE04W10V-470M(UTSP)	1	397534717T	
C5581	UTSP C	CE04W10V-470M(UTSP)	1	397534717T	
C5582	C-CERA C	CC725CH1H-102J1	1	342101024R1	
C5583	C-CERA C	CC725CH1H-102J1	1	342101024R1	
C5584	UTSP C	CE04W25V-47M(UTSP)	1	397554707T	
C5585	UTSP C	CE04W25V-47M(UTSP)	1	397554707T	
C5586	UTSP C	CE04W10V-220M(UTSP)	1	397532217T	
C5587	UTSP C	CE04W10V-220M(UTSP)	1	397532217T	
C5588	TF C	ECQ-B50V-123J	1	374721234T	
C5589	TF C	ECQ-B50V-123J	1	374721234T	
C5590	C-CERA C	CC725CH1H-101J1	1	342101014R1	
C5591	C-CERA C	CC725CH1H-101J1	1	342101014R1	
C5592	TF C	ECQ-B50V-392J	1	374723924T	
C5593	TF C	ECQ-B50V-392J	1	374723924T	
C5594	C-CERA C	CC725CH1H-101J1	1	342101014R1	
C5595	C-CERA C	CC725CH1H-101J1	1	342101014R1	
C5596	UTSP C	CE04W50V-10M(UTSP)	1	397581007T	
C5597	UTSP C	CE04W50V-10M(UTSP)	1	397581007T	
C5598	C-CERA C	CC725CH1H-102J1	1	342101024R1	
C5600	UTSP C	CE04W50V 47M(UTSP)	1	397584707T	
C5601	UTSP C	CE04W50V 47M(UTSP)	1	397584707T	
C5602	UTSP C	CE04W50V 47M(UTSP)	1	397584707T	
C5603	UTSP C	CE04W50V 47M(UTSP)	1	397584707T	
C5604	UTSP C	CE04W50V 47M(UTSP)	1	397584707T	
C5605	UTSP C	CE04W50V 47M(UTSP)	1	397584707T	
C5606	UTSP C	CE04W50V 47M(UTSP)	1	397584707T	
C5607	UTSP C	CE04W50V 47M(UTSP)	1	397584707T	
C5630	UTSP C	CE04W50V 47M(UTSP)	1	397584707T	
C5631	C-CERA C	CC725CH1H-221J1	1	342102214R1	
C5632	TF C	ECQ-B50V-103J	1	374721034T	
C5660	MMT C	MMT50V-334J	1	375523344T	
C5661	VR C	CE04W35V-470M(VR)	1	394664717T	<SR706>
C5661	VR C	CE04W35V-1000M(VR)	1	394661027S	<SA706>

C5662	VR C	CE04W35V-1000M(VR)	1	394661027S	
C5666	UTSP C	CE04W25V-220M(UTSP)	1	397552217T	
C5667	UTSP C	CE04W25V-220M(UTSP)	1	397552217T	
C5670	UTSP C	CE04W50V-47M(UTSP)	1	397584707T	
C5671	UTSP C	CE04W50V-220M(UTSP)	1	397582217T	<SR706>
C5671	UTSP C	CE04W50V-47M(UTSP)	1	397584707T	<SA706>
C5672	UTSP C	CE04W50V-10M(UTSP)	1	397581007T	
C5673	UTSP C	CE04W50V-10M(UTSP)	1	397581007T	
C5674	UTSP C	CE04W10V-470M(UTSP)	1	397534717T	
C5675	UTSP C	CE04W10V-470M(UTSP)	1	397534717T	
C5684	UTSP C	CE04W25V-220M(UTSP)	1	397552217T	
C5685	UTSP C	CE04W25V-220M(UTSP)	1	397552217T	
C5686	UTSP C	CE04W25V-220M(UTSP)	1	397552217T	
C5687	UTSP C	CE04W25V-220M(UTSP)	1	397552217T	
C5700	C-CERA C	CK725B1H-103K1	1	332101035R1	
C5702	C-CERA C	CC725CH1H-102J1	1	342101024R1	
C5705	C-CERA C	CC725CH1H-102J1	1	342101024R1	
C5706	C-CERA C	CC725CH1H-102J1	1	342101024R1	
C5707	C-CERA C	CC725CH1H-221J1	1	342102214R1	
C5708	C-CERA C	CC725CH1H-221J1	1	342102214R1	
C5711	C-CERA C	CK725B1H-103K1	1	332101035R1	
C5905	UTSP C	CE04W50V-47M(UTSP)	1	397584707T	
C5906	UTSP C	CE04W50V-47M(UTSP)	1	397584707T	
C5907	C-CERA C	CC725CH1H-221J1	1	342102214R1	
C5908	C-CERA C	CC725CH1H-221J1	1	342102214R1	
C5909	C-CERA C	CC725CH1H-221J1	1	342102214R1	
C6020	UTSP C	CE04W50V-47M(UTSP)	1	397584707T	
C6021	UTSP C	CE04W50V-47M(UTSP)	1	397584707T	
C6022	UTSP C	CE04W50V-47M(UTSP)	1	397584707T	
C6023	UTSP C	CE04W50V-47M(UTSP)	1	397584707T	
C6024	UTSP C	CE04W50V-47M(UTSP)	1	397584707T	
C6025	UTSP C	CE04W50V-47M(UTSP)	1	397584707T	
C6026	UTSP C	CE04W50V-47M(UTSP)	1	397584707T	
C6050	TF C	ECQ-V50V-104J	1	374721044T	
C6051	TF C	ECQ-V50V-104J	1	374721044T	
C6052	TF C	ECQ-V50V-104J	1	374721044T	
C6053	TF C	ECQ-V50V-104J	1	374721044T	
C6054	TF C	ECQ-V50V-104J	1	374721044T	
C6055	TF C	ECQ-V50V-104J	1	374721044T	
C6056	TF C	ECQ-V50V-104J	1	374721044T	
C6701	UTSP C	CE04W10V-220M(UTSP)	1	397532217T	
C6703	C-CERA C	CK725F1H-104Z1	1	332151040R1	
C6704	UTSP C	CE04W50V-1M(UTSP)	1	397580107T	
C6706	UTSP C	CE04W50V-22M(UTSP)	1	397582207T	
C6710	C-CERA C	CK725F1A-105Z1	1	332181050R1	
C6713	C-CERA C	CK725F1H-104Z1	1	332151040R1	
C6714	UTSP C	CE04W50V-2.2M(UTSP)	1	397580227T	
C6901	ELECT C	CE69W63V-12000MA	1	3504423	<DC, DD>
C6901	ELECT C	CE69W71V-12000M	1	3504460A	<DT, MP, MA, MO, MQ, MT, SA706>
C6902	ELECT C	CE69W63V-12000MA	1	3504423	<DC, DD>
C6902	ELECT C	CE69W71V-12000M	1	3504460A	<DT, MP, MA, MO, MQ, MT, SA706>
C6911	C-CERA C	CC725CH1H-102J1	1	342101024R1	
C6912	TF C	ECQ-V100-334J	1	374733344T	

C6913	TF C	ECQ-V100-334J	1	374733344T
C6915	TF C	ECQ-V50V-104J	1	374721044T
C6916	TF C	ECQ-V50V-104J	1	374721044T
R5501	C-CARBON R	RN72K1J-331JE	1	435033314R1
R5502	C-CARBON R	RN72K1J-331JE	1	435033314R1
R5503	C-CARBON R	RN72K1J-331JE	1	435033314R1
R5504	C-CARBON R	RN72K1J-331JE	1	435033314R1
R5505	C-CARBON R	RN72K1J-331JE	1	435033314R1
R5506	C-CARBON R	RN72K1J-331JE	1	435033314R1
R5507	C-CARBON R	RN72K1J-331JE	1	435033314R1
R5508	C-CARBON R	RN72K1J-331JE	1	435033314R1
R5509	C-CARBON R	RN72K1J-331JE	1	435033314R1
R5510	C-CARBON R	RN72K1J-331JE	1	435033314R1
R5511	C-CARBON R	RN72K1J-331JE	1	435033314R1
R5512	C-CARBON R	RN72K1J-331JE	1	435033314R1
R5513	C-CARBON R	RN72K1J-331JE	1	435033314R1
R5514	C-CARBON R	RN72K1J-331JE	1	435033314R1
R5515	C-CARBON R	RN72K1J-331JE	1	435033314R1
R5516	C-CARBON R	RN72K1J-331JE	1	435033314R1
R5519	C-CARBON R	RN72K1J-331JE	1	435033314R1
R5520	C-CARBON R	RN72K1J-331JE	1	435033314R1
R5521	C-CARBON R	RN72K1J-331JE	1	435033314R1
R5522	C-CARBON R	RN72K1J-331JE	1	435033314R1
R5523	C-CARBON R	RN72K1J-331JE	1	435033314R1
R5524	C-CARBON R	RN72K1J-331JE	1	435033314R1
R5525	C-CARBON R	RN72K1J-331JE	1	435033314R1
R5526	C-CARBON R	RN72K1J-331JE	1	435033314R1
R5527	C-CARBON R	RN72K1J-101JE	1	435031014R1
R5528	C-CARBON R	RN72K1J-101JE	1	435031014R1
R5529	C-CARBON R	RN72K1J-101JE	1	435031014R1
R5530	C-CARBON R	RN72K1J-101JE	1	435031014R1
R5531	C-CARBON R	RN72K1J-101JE	1	435031014R1
R5532	C-CARBON R	RN72K1J-101JE	1	435031014R1
R5533	C-CARBON R	RN72K1J-101JE	1	435031014R1
R5534	C-CARBON R	RN72K1J-101JE	1	435031014R1
R5536	C-CARBON R	RN72K1J-473JE	1	435034734R1
R5537	C-CARBON R	RN72K1J-473JE	1	435034734R1
R5541	C-CARBON R	RN72K1J-224JE	1	435032244R1
R5542	C-CARBON R	RN72K1J-224JE	1	435032244R1
R5543	C-CARBON R	RN72K1J-224JE	1	435032244R1
R5544	C-CARBON R	RN72K1J-224JE	1	435032244R1
R5545	C-CARBON R	RN72K1J-224JE	1	435032244R1
R5546	C-CARBON R	RN72K1J-224JE	1	435032244R1
R5547	C-CARBON R	RN72K1J-224JE	1	435032244R1
R5548	C-CARBON R	RN72K1J-224JE	1	435032244R1
R5549	C-CARBON R	RN72K1J-224JE	1	435032244R1
R5550	C-CARBON R	RN72K1J-224JE	1	435032244R1
R5551	C-CARBON R	RN72K1J-224JE	1	435032244R1
R5552	C-CARBON R	RN72K1J-224JE	1	435032244R1
R5553	C-CARBON R	RN72K1J-224JE	1	435032244R1
R5554	C-CARBON R	RN72K1J-224JE	1	435032244R1
R5555	C-CARBON R	RN72K1J-224JE	1	435032244R1
R5556	C-CARBON R	RN72K1J-224JE	1	435032244R1

R5557	C-CARBON R	RN72K1J-224JE	1	435032244R1
R5558	C-CARBON R	RN72K1J-224JE	1	435032244R1
R5559	C-CARBON R	RN72K1J-224JE	1	435032244R1
R5560	C-CARBON R	RN72K1J-224JE	1	435032244R1
R5561	C-CARBON R	RN72K1J-224JE	1	435032244R1
R5562	C-CARBON R	RN72K1J-224JE	1	435032244R1
R5563	C-CARBON R	RN72K1J-224JE	1	435032244R1
R5564	C-CARBON R	RN72K1J-224JE	1	435032244R1
R5565	C-CARBON R	RN72K1J-224JE	1	435032244R1
R5566	C-CARBON R	RN72K1J-224JE	1	435032244R1
R5567	C-CARBON R	RN72K1J-224JE	1	435032244R1
R5568	C-CARBON R	RN72K1J-223JE	1	435032234R1
R5569	C-CARBON R	RN72K1J-224JE	1	435032244R1
R5570	C-CARBON R	RN72K1J-224JE	1	435032244R1
R5571	C-CARBON R	RN72K1J-224JE	1	435032244R1
R5572	C-CARBON R	RN72K1J-224JE	1	435032244R1
R5573	C-CARBON R	RN72K1J-224JE	1	435032244R1
R5574	C-CARBON R	RN72K1J-224JE	1	435032244R1
R5575	C-CARBON R	RN72K1J-224JE	1	435032244R1
R5576	C-CARBON R	RN72K1J-224JE	1	435032244R1
R5577	C-CARBON R	RN72K1J-223JE	1	435032234R1
R5578	C-CARBON R	RN72K1J-223JE	1	435032234R1
R5580	C-CARBON R	RN72K1J-224JE	1	435032244R1
R5581	C-CARBON R	RN72K1J-224JE	1	435032244R1
R5582	C-CARBON R	RN72K1J-224JE	1	435032244R1
R5583	C-CARBON R	RN72K1J-224JE	1	435032244R1
R5587	C-CARBON R	RN72K1J-103JE	1	435031034R1
R5588	C-CARBON R	RN72K1J-103JE	1	435031034R1
R5590	C-CARBON R	RN72K1J-103JE	1	435031034R1
R5591	C-CARBON R	RN72K1J-103JE	1	435031034R1
R5592	C-CARBON R	RN72K1J-152JE	1	435031524R1
R5593	C-CARBON R	RN72K1J-152JE	1	435031524R1
R5594	C-CARBON R	RN72K1J-560JE	1	435035604R1
R5595	C-CARBON R	RN72K1J-560JE	1	435035604R1
R5596	C-CARBON R	RN72K1J-103JE	1	435031034R1
R5597	C-CARBON R	RN72K1J-103JE	1	435031034R1
R5598	C-CARBON R	RN72K1J-103JE	1	435031034R1
R5599	C-CARBON R	RN72K1J-103JE	1	435031034R1
R5600	C-CARBON R	RN72K1J-224JE	1	435032244R1
R5601	C-CARBON R	RN72K1J-224JE	1	435032244R1
R5602	C-CARBON R	RN72K1J-224JE	1	435032244R1
R5603	C-CARBON R	RN72K1J-224JE	1	435032244R1
R5604	C-CARBON R	RN72K1J-224JE	1	435032244R1
R5605	C-CARBON R	RN72K1J-224JE	1	435032244R1
R5606	C-CARBON R	RN72K1J-224JE	1	435032244R1
R5607	C-CARBON R	RN72K1J-224JE	1	435032244R1
R5610	C-CARBON R	RN72K1J-271JE	1	435032714R1
R5611	C-CARBON R	RN72K1J-271JE	1	435032714R1
R5612	C-CARBON R	RN72K1J-271JE	1	435032714R1
R5613	C-CARBON R	RN72K1J-271JE	1	435032714R1
R5614	C-CARBON R	RN72K1J-271JE	1	435032714R1
R5615	C-CARBON R	RN72K1J-271JE	1	435032714R1
R5616	C-CARBON R	RN72K1J-271JE	1	435032714R1

R5617	C-CARBON R	RN72K1J-271JE	1	435032714R1	
R5620	C-CARBON R	RN72K1J-101JE	1	435031014R1	
R5621	C-CARBON R	RN72K1J-101JE	1	435031014R1	
R5622	C-CARBON R	RN72K1J-101JE	1	435031014R1	
R5623	C-CARBON R	RN72K1J-101JE	1	435031014R1	
R5624	C-CARBON R	RN72K1J-101JE	1	435031014R1	
R5625	C-CARBON R	RN72K1J-101JE	1	435031014R1	
R5626	C-CARBON R	RN72K1J-101JE	1	435031014R1	
R5627	C-CARBON R	RN72K1J-101JE	1	435031014R1	
R5628	METAL O R	RS1WBJ-100	1	443621014T	
R5630	C-CARBON R	RN72K1J-221JE	1	435032214R1	
R5631	C-CARBON R	RN72K1J-473JE	1	435034734R1	
R5632	C-CARBON R	RN72K1J-153JE	1	435031534R1	
R5633	C-CARBON R	RN72K1J-122JE	1	435031224R1	
R5634	C-CARBON R	RN72K1J-103JE	1	435031034R1	
R5637	METAL O R	RS1/2WBJ-10	1	443521004T	
R5638	METAL O R	RS1/2WBJ-10	1	443521004T	
R5639	C-CARBON R	RN72K1J-331JE	1	435033314R1	
R5640	C-CARBON R	RN72K1J-331JE	1	435033314R1	
R5641	C-CARBON R	RN72K1J-563JE	1	435035634R1	
R5642	C-CARBON R	RN72K1J-563JE	1	435035634R1	
R5643	C-CARBON R	RN72K1J-474JE	1	435034744R1	
R5644	C-CARBON R	RN72K1J-474JE	1	435034744R1	
R5645	C-CARBON R	RN72K1J-561JE	1	435035614R1	
R5646	C-CARBON R	RN72K1J-561JE	1	435035614R1	
R5647	C-CARBON R	RN72K1J-274JE	1	435032744R1	
R5648	C-CARBON R	RN72K1J-274JE	1	435032744R1	
R5649	C-CARBON R	RN72K1J-223JE	1	435032234R1	
R5650	C-CARBON R	RN72K1J-223JE	1	435032234R1	
R5651	C-CARBON R	RN72K1J-122JE	1	435031224R1	
R5652	C-CARBON R	RN72K1J-122JE	1	435031224R1	
R5653	C-CARBON R	RN72K1J-101JE	1	435031014R1	
R5654	C-CARBON R	RN72K1J-101JE	1	435031014R1	
R5655	C-CARBON R	RN72K1J-224JE	1	435032244R1	
R5656	C-CARBON R	RN72K1J-224JE	1	435032244R1	
R5657	C-CARBON R	RN72K1J-224JE	1	435032244R1	
R5658	C-CARBON R	RN72K1J-000JE	1	435030004R1	
R5659	C-CARBON R	RN72K1J-000JE	1	435030004R1	
R5660	METAL R	RNU1WCJ-1.5	1	453630154T	
R5661	METAL R	RNU1WCJ-1.5	1	453630154T	
R5662	METAL R	RNU2WCJ-2.2	1	452730224F	<SR706>
R5665	METAL R	RNU2WCJ-2.2	1	452730224F	<SR706>
R5665	METAL O R	RS2WBJ-15	1	442721504F	<SA706>
R5666	CARBON R	R16J-22	1	417342204T	
R5667	CARBON R	R16J-22	1	417342204T	
R5668	METAL O R	RS1WBJ-100	1	443621014T	
R5669	C-CARBON R	RN72K1J-224JE	1	435032244R1	
R5670	METAL R	RNU2WCJ-2.2	1	452730224F	<SR706>
R5671	METAL R	RNU2WCJ-2.2	1	452730224F	<SR706>
R5671	METAL O R	RS2WBJ-15	1	442721504F	<SA706>
R5672	C-CARBON R	RN72K1J-100JE	1	435031004R1	
R5673	C-CARBON R	RN72K1J-100JE	1	435031004R1	
R5675	METAL O R	RS1WBJ-22	1	443622204T	

R5676	METAL O R	RS1WBJ-22	1	443622204T
R5677	METAL O R	RS1WBJ-22	1	443622204T
R5678	METAL O R	RS1WBJ-22	1	443622204T
R5679	CARBON R	R16J-680	1	417346814T
R5685	CARBON R	R16J-680	1	417346814T
R5690	C-CARBON R	RN72K1J-224JE	1	435032244R1
R5691	C-CARBON R	RN72K1J-224JE	1	435032244R1
R5692	C-CARBON R	RN72K1J-104JE	1	435031044R1
R5702	C-CARBON R	RN72K1J-000JE	1	435030004R1
R5703	C-CARBON R	RN72K1J-000JE	1	435030004R1
R5711	C-CARBON R	RN72K1J-224JE	1	435032244R1
R5712	C-CARBON R	RN72K1J-224JE	1	435032244R1
R5714	C-CARBON R	RN72K1J-224JE	1	435032244R1
R5715	C-CARBON R	RN72K1J-224JE	1	435032244R1
R5716	C-CARBON R	RN72K1J-224JE	1	435032244R1
R5813	C-CARBON R	RN72K1J-000JE	1	435030004R1
R5824	C-CARBON R	RN72K1J-000JE	1	435030004R1
R5909	C-CARBON R	RN72K1J-224JE	1	435032244R1
R5910	C-CARBON R	RN72K1J-224JE	1	435032244R1
R5911	C-CARBON R	RN72K1J-102JE	1	435031024R1
R5912	C-CARBON R	RN72K1J-102JE	1	435031024R1
R5913	C-CARBON R	RN72K1J-101JE	1	435031014R1
R5914	C-CARBON R	RN72K1J-101JE	1	435031014R1
R5915	C-CARBON R	RN72K1J-224JE	1	435032244R1
R5916	C-CARBON R	RN72K1J-224JE	1	435032244R1
R5917	C-CARBON R	RN72K1J-101JE	1	435031014R1
R5918	C-CARBON R	RN72K1J-101JE	1	435031014R1
R5950	C-CARBON R	RN72K1J-000JE	1	435030004R1
R5951	C-CARBON R	RN72K1J-000JE	1	435030004R1
R5952	C-CARBON R	RN72K1J-000JE	1	435030004R1
R5953	C-CARBON R	RN72K1J-000JE	1	435030004R1
R5954	C-CARBON R	RN72K1J-000JE	1	435030004R1
R5955	C-CARBON R	RN72K1J-000JE	1	435030004R1
R5956	C-CARBON R	RN72K1J-000JE	1	435030004R1
R5957	C-CARBON R	RN72K1J-000JE	1	435030004R1
R6000	CARBON R	R16J-4.7K	1	417344724T
R6001	CARBON R	R16J-4.7K	1	417344724T
R6002	CARBON R	R16J-4.7K	1	417344724T
R6003	CARBON R	R16J-4.7K	1	417344724T
R6004	CARBON R	R16J-4.7K	1	417344724T
R6005	CARBON R	R16J-4.7K	1	417344724T
R6006	CARBON R	R16J-4.7K	1	417344724T
R6010	CARBON R	R16J-3.3K	1	417343324T
R6011	CARBON R	R16J-3.3K	1	417343324T
R6012	CARBON R	R16J-3.3K	1	417343324T
R6013	CARBON R	R16J-3.3K	1	417343324T
R6014	CARBON R	R16J-3.3K	1	417343324T
R6015	CARBON R	R16J-3.3K	1	417343324T
R6016	CARBON R	R16J-3.3K	1	417343324T
R6030	CARBON R	R16J-2.2K	1	417342224T
R6031	CARBON R	R16J-2.2K	1	417342224T
R6032	CARBON R	R16J-2.2K	1	417342224T
R6033	CARBON R	R16J-2.2K	1	417342224T

R6034	CARBON R	R16J-2.2K	1	417342224T
R6035	CARBON R	R16J-2.2K	1	417342224T
R6036	CARBON R	R16J-2.2K	1	417342224T
R6040	TRIM R	N06HR2KBC	1	5210390T
R6041	TRIM R	N06HR2KBC	1	5210390T
R6042	TRIM R	N06HR2KBC	1	5210390T
R6043	TRIM R	N06HR2KBC	1	5210390T
R6044	TRIM R	N06HR2KBC	1	5210390T
R6045	TRIM R	N06HR2KBC	1	5210390T
R6046	TRIM R	N06HR2KBC	1	5210390T
R6050	CARBON R	R16J-2.7K	1	417342724T
R6051	CARBON R	R16J-2.7K	1	417342724T
R6052	CARBON R	R16J-2.7K	1	417342724T
R6053	CARBON R	R16J-2.7K	1	417342724T
R6054	CARBON R	R16J-2.7K	1	417342724T
R6055	CARBON R	R16J-2.7K	1	417342724T
R6056	CARBON R	R16J-2.7K	1	417342724T
R6070	NF CARBON R	R25J-82	1	415478204T
R6071	NF CARBON R	R25J-82	1	415478204T
R6072	NF CARBON R	R25J-82	1	415478204T
R6073	NF CARBON R	R25J-82	1	415478204T
R6074	NF CARBON R	R25J-82	1	415478204T
R6075	NF CARBON R	R25J-82	1	415478204T
R6076	NF CARBON R	R25J-82	1	415478204T
R6080	CARBON R	R16J-10	1	417341004T
R6081	CARBON R	R16J-10	1	417341004T
R6082	CARBON R	R16J-10	1	417341004T
R6083	CARBON R	R16J-10	1	417341004T
R6084	CARBON R	R16J-10	1	417341004T
R6085	CARBON R	R16J-10	1	417341004T
R6086	CARBON R	R16J-10	1	417341004T
R6090	CARBON R	R16J-10	1	417341004T
R6091	CARBON R	R16J-10	1	417341004T
R6092	CARBON R	R16J-10	1	417341004T
R6093	CARBON R	R16J-10	1	417341004T
R6094	CARBON R	R16J-10	1	417341004T
R6095	CARBON R	R16J-10	1	417341004T
R6096	CARBON R	R16J-10	1	417341004T
R6100	METAL PR	MPR5W+5W OR22	1	4000233
R6100 or	METAL PR	RGC55 0.22	(1)	4000132
R6101	METAL PR	MPR5W+5W OR22	1	4000233
R6101 or	METAL PR	RGC55 0.22	(1)	4000132
R6102	METAL PR	MPR5W+5W OR22	1	4000233
R6102 or	METAL PR	RGC55 0.22	(1)	4000132
R6103	METAL PR	MPR5W+5W OR22	1	4000233
R6103 or	METAL PR	RGC55 0.22	(1)	4000132
R6104	METAL PR	MPR5W+5W OR22	1	4000233
R6104 or	METAL PR	RGC55 0.22	(1)	4000132
R6105	METAL PR	MPR5W+5W OR22	1	4000233
R6105 or	METAL PR	RGC55 0.22	(1)	4000132
R6106	METAL PR	MPR5W+5W OR22	1	4000233
R6106 or	METAL PR	RGC55 0.22	(1)	4000132
R6140	C-CARBON R	RN72K1J-563JE	1	435035634R1

R6141	C-CARBON R	RN72K1J-563JE	1	435035634R1
R6142	C-CARBON R	RN72K1J-563JE	1	435035634R1
R6143	C-CARBON R	RN72K1J-563JE	1	435035634R1
R6144	C-CARBON R	RN72K1J-563JE	1	435035634R1
R6145	C-CARBON R	RN72K1J-563JE	1	435035634R1
R6146	C-CARBON R	RN72K1J-563JE	1	435035634R1
R6150	C-CARBON R	RN72K1J-103JE	1	435031034R1
R6151	C-CARBON R	RN72K1J-103JE	1	435031034R1
R6152	C-CARBON R	RN72K1J-103JE	1	435031034R1
R6153	C-CARBON R	RN72K1J-103JE	1	435031034R1
R6154	C-CARBON R	RN72K1J-103JE	1	435031034R1
R6155	C-CARBON R	RN72K1J-103JE	1	435031034R1
R6156	C-CARBON R	RN72K1J-103JE	1	435031034R1
R6160	CARBON R	R16J-33K	1	417343334T
R6161	CARBON R	R16J-33K	1	417343334T
R6162	CARBON R	R16J-33K	1	417343334T
R6163	CARBON R	R16J-33K	1	417343334T
R6164	CARBON R	R16J-33K	1	417343334T
R6165	CARBON R	R16J-33K	1	417343334T
R6166	CARBON R	R16J-33K	1	417343334T
R6170	CARBON R	R16J-47K	1	417344734T
R6171	CARBON R	R16J-47K	1	417344734T
R6172	CARBON R	R16J-47K	1	417344734T
R6173	CARBON R	R16J-47K	1	417344734T
R6174	CARBON R	R16J-47K	1	417344734T
R6175	CARBON R	R16J-47K	1	417344734T
R6176	CARBON R	R16J-47K	1	417344734T
R6180	CARBON R	R16J-47K	1	417344734T
R6181	CARBON R	R16J-47K	1	417344734T
R6182	CARBON R	R16J-47K	1	417344734T
R6183	CARBON R	R16J-47K	1	417344734T
R6184	CARBON R	R16J-47K	1	417344734T
R6185	CARBON R	R16J-47K	1	417344734T
R6186	CARBON R	R16J-47K	1	417344734T
R6197	METAL O R	RS1/2WBJ-33	1	443523304T
R6250	NF CARBON R	R25J-120	1	415471214T
R6251	NF CARBON R	R25J-120	1	415471214T
R6252	NF CARBON R	R25J-120	1	415471214T
R6253	NF CARBON R	R25J-120	1	415471214T
R6254	NF CARBON R	R25J-120	1	415471214T
R6255	NF CARBON R	R25J-120	1	415471214T
R6256	NF CARBON R	R25J-120	1	415471214T
R6260	NF CARBON R	R25J-120	1	415471214T
R6261	NF CARBON R	R25J-120	1	415471214T
R6262	NF CARBON R	R25J-120	1	415471214T
R6263	NF CARBON R	R25J-120	1	415471214T
R6264	NF CARBON R	R25J-120	1	415471214T
R6265	NF CARBON R	R25J-120	1	415471214T
R6266	NF CARBON R	R25J-120	1	415471214T
R6270	NF CARBON R	R25J-18	1	415471804T
R6271	NF CARBON R	R25J-18	1	415471804T
R6272	NF CARBON R	R25J-18	1	415471804T
R6273	NF CARBON R	R25J-18	1	415471804T

R6274	NF CARBON R	R25J-18	1	415471804T	
R6275	NF CARBON R	R25J-18	1	415471804T	
R6276	NF CARBON R	R25J-18	1	415471804T	
R6280	NF CARBON R	R25J-18	1	415471804T	
R6281	NF CARBON R	R25J-18	1	415471804T	
R6282	NF CARBON R	R25J-18	1	415471804T	
R6283	NF CARBON R	R25J-18	1	415471804T	
R6284	NF CARBON R	R25J-18	1	415471804T	
R6285	NF CARBON R	R25J-18	1	415471804T	
R6286	NF CARBON R	R25J-18	1	415471804T	
R6290	NF CARBON R	R25J-2.2	1	415470224T	
R6291	NF CARBON R	R25J-2.2	1	415470224T	
R6292	NF CARBON R	R25J-2.2	1	415470224T	
R6293	NF CARBON R	R25J-2.2	1	415470224T	
R6294	NF CARBON R	R25J-2.2	1	415470224T	
R6295	NF CARBON R	R25J-2.2	1	415470224T	
R6296	NF CARBON R	R25J-2.2	1	415470224T	
R6300	NF CARBON R	R25J-2.2	1	415470224T	
R6301	NF CARBON R	R25J-2.2	1	415470224T	
R6302	NF CARBON R	R25J-2.2	1	415470224T	
R6303	NF CARBON R	R25J-2.2	1	415470224T	
R6304	NF CARBON R	R25J-2.2	1	415470224T	
R6305	NF CARBON R	R25J-2.2	1	415470224T	
R6306	NF CARBON R	R25J-2.2	1	415470224T	
R6310	NF CARBON R	R25J-10	1	415471004T	
R6311	NF CARBON R	R25J-10	1	415471004T	
R6312	NF CARBON R	R25J-10	1	415471004T	
R6313	NF CARBON R	R25J-10	1	415471004T	
R6314	NF CARBON R	R25J-10	1	415471004T	
R6315	NF CARBON R	R25J-10	1	415471004T	
R6316	NF CARBON R	R25J-10	1	415471004T	
R6701	C-CARBON R	RN72K1J-223JE	1	435032234R1	
R6702	C-CARBON R	RN72K1J-103JE	1	435031034R1	
R6704	C-CARBON R	RN72K1J-473JE	1	435034734R1	
R6706	C-CARBON R	RN72K1J-224JE	1	435032244R1	
R6708	C-CARBON R	RN72K1J-333JE	1	435033334R1	
R6709	C-CARBON R	RN72K1J-392JE	1	435033924R1	
R6710	C-CARBON R	RN72K1J-123JE	1	435031234R1	
R6712	C-CARBON R	RN72K1J-103JE	1	435031034R1	
R6714	C-CARBON R	RN72K1J-333JE	1	435033334R1	
R6716	C-CARBON R	RN72K1J-563JE	1	435035634R1	
R6902	C-CARBON R	RN72K1J-102JE	1	435031024R1	
R6903	C-CARBON R	RN72K1J-473JE	1	435034734R1	
E5507A	TRM	NTM-1P232(M1700)	1	25060301	
E5509A	TRM	NTM-1P232(M1700)	1	25060301	
E5519	TRM(SCREW)	NEJITANSI M3	1	25065425	
F6901A	FUSE HOLDER	SN5051	1	250113	!
F6901B	FUSE HOLDER	SN5051	1	250113	!
F6902A	FUSE HOLDER	SN5051	1	250113	!
F6902B	FUSE HOLDER	SN5051	1	250113	!
J5664	PVC	UL1430#24 BLK	1	72910250505	
JL5514A	WIRE HOL	NSCT-7P898	1	25051111	
JL5514B	SOCKET	NSCT-7P99	1	25050271	

JL6402A	WIRE HOL	NSCT-3P874	1	25051087	
JL6402B	WIRE HOL	NSCT-3P874	1	25051087	
JL6600A	WIRE HOL	NSCT-7P898	1	25051111	
JL6603A	WIRE HOL	NSCT-9P900	1	25051113	
JL6606B	WIRE TRAP	NPLG-7P590	1	25055628	
JL6620A	WIRE HOL	NSCT-7P878	1	25051091	
P104B	SOCKET	NSCT-13P2193	1	25052296	
P5500	PIN JACK	NPJ-2PDWR558	1	25045776	<SR706>
P5500	PIN JACK	NPJ-4PDBL162	1	25045303	<SA706>
P5501	PIN JACK	NPJ-4PDBL162	1	25045303	
P5502	PIN JACK	NPJ-4PDBL162	1	25045303	
P5503	PIN JACK	NPJ-6PDBL159	1	25045300	
P5504	PIN JACK	NPJ-4PDGPRW661	1	25045890	
P5505	PIN JACK	NPJ-4PELNT662	1	25045891	
P5506	PIN JACK	NPJ-4PDGPRW661	1	25045890	
P5507	PIN JACK	NPJ-4PELNT662	1	25045891	
P5508	PIN JACK	NPJ-2PDWR558	1	25045776	
P5510A	SOCKET AS	NSAS-26P1742	1	2009991118UL	
P5510B	PLUG	NPLG-13P360	1	25055377	
P5510C	CRIMP AS	CRIMP SR805_2	1	20799170UL	
P5510D	CRIMP AS	CRIMP SR805_1	1	20799169UL	
P5512	SOCKET	NSCT-11P2191	1	25052294	
P5513	SOCKET	NSCT-15P2195	1	25052298	
P5518	SOCKET	NSCT-3P2183	1	25052286	
P5521	HOLDER	HOLDER(CLAMP)	1	27190540-1	
P5522	HOLDER	HOLDER(CLAMP)	1	27190540-1	
P5523	HOLDER	HOLDER(CLAMP)	1	27190540-1	
P6000B	PLUG	NPLG-7P0962	1	25056012	
P6001B	PLUG	NPLG-7P0962	1	25056012	
P6002B	PLUG	NPLG-7P0962	1	25056012	
P6003B	PLUG	NPLG-7P0962	1	25056012	
P6004B	PLUG	NPLG-7P0962	1	25056012	
P6005B	PLUG	NPLG-7P0962	1	25056012	
P6006B	PLUG	NPLG-7P0962	1	25056012	
P6011A	RETAINER	(BUS-D)	1	27142115A	
P6020	HOLDER	HOLDER(CLAMP)	1	27190540-1	
P6080	PLUG	NPLG-2P130	1	25055146	
P6081	PLUG	NPLG-2P130	1	25055146	
P6082	PLUG	NPLG-2P130	1	25055146	
P6083	PLUG	NPLG-2P130	1	25055146	
P6084	PLUG	NPLG-2P130	1	25055146	
P6085	PLUG	NPLG-2P130	1	25055146	
P6086	PLUG	NPLG-2P130	1	25055146	
P6900	CRIMP AS	CRIMP AS	1	2069925170UL	
P6901	CRIMP AS	CRIMP AS	1	2069925142UL	
P6902	CRIMP AS	CRIMP AS	1	2069925208UL	
P6950	PLUG	NPLG-5P152	1	25055168	
RL5700	RELAY	NRL-2P2A-DC24-174	1	25065659	
RL5701	RELAY	NRL-2P2A-DC24-174	1	25065659	
RL6901	RELAY	NRL-1P10A-DC12-140	1	25065584	
RL6902	RELAY	NRL-1P10A-DC12-140	1	25065584	

TX-SR706/SA706

PC BOARD PARTS LIST

U08	SP TERMINAL PC BOARD(NATRM-9488-1A/1B/1C)
U09	SP TERMINAL PC BOARD(NATRM-9489-1A/1B/1C)
U10	POWER SUPPLY PC BOARD(NAPS-9490-1A/1B/1C)
U11	INLET PC BOARD(NAETC-9491-1B/1C)
U12	SWITCH PC BOARD(NASW-9492-1B/1C)
U13	AMPLIFIER PC BOARD(NACLA-9493-1A/1B/1C)
U15	HOLDER PC BOARD(NAETC-9495-1A/1B/1C)

CIRCUIT NO.	PART NAME	DESCRIPTION	Q'TY	PART NO. (SN)	REMARKS
Q5000	TR	2SC2240-BL(TPE2_F)	1	2211406T	
Q5001	TR	2SC2240-BL(TPE2_F)	1	2211406T	
Q5002	TR	2SC2240-BL(TPE2_F)	1	2211406T	
Q5003	TR	2SC2240-BL(TPE2_F)	1	2211406T	
Q5004	TR	2SC2240-BL(TPE2_F)	1	2211406T	
Q5005	TR	2SC2240-BL(TPE2_F)	1	2211406T	
Q5006	TR	2SC2240-BL(TPE2_F)	1	2211406T	
Q5010	TR	2SC2240-BL(TPE2_F)	1	2211406T	
Q5011	TR	2SC2240-BL(TPE2_F)	1	2211406T	
Q5012	TR	2SC2240-BL(TPE2_F)	1	2211406T	
Q5013	TR	2SC2240-BL(TPE2_F)	1	2211406T	
Q5014	TR	2SC2240-BL(TPE2_F)	1	2211406T	
Q5015	TR	2SC2240-BL(TPE2_F)	1	2211406T	
Q5016	TR	2SC2240-BL(TPE2_F)	1	2211406T	
Q5030	TR	2SA949-Y(TPE6_F)	1	2211354T	
Q5031	TR	2SA949-Y(TPE6_F)	1	2211354T	
Q5032	TR	2SA949-Y(TPE6_F)	1	2211354T	
Q5033	TR	2SA949-Y(TPE6_F)	1	2211354T	
Q5034	TR	2SA949-Y(TPE6_F)	1	2211354T	
Q5035	TR	2SA949-Y(TPE6_F)	1	2211354T	
Q5036	TR	2SA949-Y(TPE6_F)	1	2211354T	
Q5040	TR	2SA949-Y(TPE6_F)	1	2211354T	
Q5041	TR	2SA949-Y(TPE6_F)	1	2211354T	
Q5042	TR	2SA949-Y(TPE6_F)	1	2211354T	
Q5043	TR	2SA949-Y(TPE6_F)	1	2211354T	
Q5044	TR	2SA949-Y(TPE6_F)	1	2211354T	
Q5045	TR	2SA949-Y(TPE6_F)	1	2211354T	
Q5046	TR	2SA949-Y(TPE6_F)	1	2211354T	
Q5050	TR	2SC2240-BL(TPE2_F)	1	2211406T	
Q5050 or	TR	2SC2240-GR	(1)	2211405T	
Q5051	TR	2SC2240-BL(TPE2_F)	1	2211406T	
Q5051 or	TR	2SC2240-GR	(1)	2211405T	
Q5052	TR	2SC2240-BL(TPE2_F)	1	2211406T	
Q5052 or	TR	2SC2240-GR	(1)	2211405T	
Q5053	TR	2SC2240-BL(TPE2_F)	1	2211406T	
Q5053 or	TR	2SC2240-GR	(1)	2211405T	
Q5054	TR	2SC2240-BL(TPE2_F)	1	2211406T	
Q5054 or	TR	2SC2240-GR	(1)	2211405T	
Q5055	TR	2SC2240-BL(TPE2_F)	1	2211406T	
Q5055 or	TR	2SC2240-GR	(1)	2211405T	

Q5056	TR	2SC2240-BL(TPE2_F)	1	2211406T	
Q5056 or	TR	2SC2240-GR	(1)	2211405T	
Q5060	TR	2SA949-Y(TPE6_F)	1	2211354T	
Q5061	TR	2SA949-Y(TPE6_F)	1	2211354T	
Q5062	TR	2SA949-Y(TPE6_F)	1	2211354T	
Q5063	TR	2SA949-Y(TPE6_F)	1	2211354T	
Q5064	TR	2SA949-Y(TPE6_F)	1	2211354T	
Q5065	TR	2SA949-Y(TPE6_F)	1	2211354T	
Q5066	TR	2SA949-Y(TPE6_F)	1	2211354T	
Q5070	TR	2SC2229-Y(TPE6_F)	1	2211634T	
Q5071	TR	2SC2229-Y(TPE6_F)	1	2211634T	
Q5072	TR	2SC2229-Y(TPE6_F)	1	2211634T	
Q5073	TR	2SC2229-Y(TPE6_F)	1	2211634T	
Q5074	TR	2SC2229-Y(TPE6_F)	1	2211634T	
Q5075	TR	2SC2229-Y(TPE6_F)	1	2211634T	
Q5076	TR	2SC2229-Y(TPE6_F)	1	2211634T	
Q6601	TR	RN1226	1	2214680T	
Q6602	TR	RN1226	1	2214680T	
Q6603	TR	RN1226	1	2214680T	
Q6604	TR	RN1226	1	2214680T	<DC, DD, MP, MA, MO, MQ, MT, SA706>
D911	DIODE	1SS133	1	223163T	
D912	DIODE	1SS133	1	223163T	
D921	DIODE	1SS133	1	223163T	
D922	DIODE	1SS133	1	223163T	
D923	DIODE	1SS133	1	223163T	
D924	DIODE	1SS133	1	223163T	
D925	DIODE	1SS133	1	223163T	
D930	DIODE	1SS133	1	223163T	
D931	DIODE	1SS133	1	223163T	
D933	DIODE	1SS133	1	223163T	
D934	ZENER D	MTZJ5.6B	1	224470562T	
D935	DIODE	1SS133	1	223163T	
Q6604	TR	RN1226	1	2214680T	<DT>
D5000	ZENER D	MTZJ5.6B	1	224470562T	
D5001	ZENER D	MTZJ5.6B	1	224470562T	
D5002	ZENER D	MTZJ5.6B	1	224470562T	
D5003	ZENER D	MTZJ5.6B	1	224470562T	
D5004	ZENER D	MTZJ5.6B	1	224470562T	
D5005	ZENER D	MTZJ5.6B	1	224470562T	
D5006	ZENER D	MTZJ5.6B	1	224470562T	
D6600	DIODE	1SS133	1	223163T	
D6603	DIODE	1SS133	1	223163T	
D6605	DIODE	1SS133	1	223163T	
D6607	DIODE	1SS133	1	223163T	
T902	P TRANS	NPT-1520JQ	1	2301812A	!, <DC, DD, DT>
T902	P TRANS	NPT-1520GQ	1	2301813A	!, <MP, MA, MO, MQ, MT, SA706>
L6600	S COIL	S-1.3C	1	231176S	
L6601	S COIL	S-1.3C	1	231176S	
L6602	S COIL	S-1.3C	1	231176S	
L6603	S COIL	S-1.3C	1	231176S	
L6604	S COIL	S-1.3C	1	231176S	
L6605	S COIL	S-1.3C	1	231176S	
L6606	S COIL	S-1.3C	1	231176S	

C901	IS C	ECQU2A103MLC	1	3800039S	!
C901 or	IS C	LE103-C3.5	(1)	3800042S	!
C901 or	IS C	RE275V-103M	(1)	3500196S	!
C902	TF C	ECQ-V50V-104J	1	374721044T	
C903	PLA C	MKP R46 104M	1	3800041S	
C911	TF C	ECQ-B50V-102J	1	374721024T	
C921	TF C	ECQ-B50V-223J	1	374722234T	
C922	VR C	CE04W25V-2200M(VR)	1	394652227S	
C930	UTSP C	CE04W25V-100M(UTSP)	1	397551017T	
C933	UTSP C	CE04W50V-4.7M(UTSP)	1	397580477T	
C5000	TF C	ECQ-B50V-101K	1	374721015T	
C5001	TF C	ECQ-B50V-101K	1	374721015T	
C5002	TF C	ECQ-B50V-101K	1	374721015T	
C5003	TF C	ECQ-B50V-101K	1	374721015T	
C5004	TF C	ECQ-B50V-101K	1	374721015T	
C5005	TF C	ECQ-B50V-101K	1	374721015T	
C5006	TF C	ECQ-B50V-101K	1	374721015T	
C5010	UTSP C	CE04W50V-47M(UTSP)	1	397584707T	<DC, DD>
C5010	UTSJ C	CE04W25V-47M(UTSJ)	1	398054707T	<DT, MP, MA, MO, MQ, MT, SA706>
C5011	UTSP C	CE04W50V-47M(UTSP)	1	397584707T	<DC, DD>
C5011	UTSJ C	CE04W25V-47M(UTSJ)	1	398054707T	<DT, MP, MA, MO, MQ, MT, SA706>
C5012	UTSP C	CE04W50V-47M(UTSP)	1	397584707T	<DC, DD>
C5012	UTSJ C	CE04W25V-47M(UTSJ)	1	398054707T	<DT, MP, MA, MO, MQ, MT, SA706>
C5013	UTSP C	CE04W50V-47M(UTSP)	1	397584707T	<DC, DD>
C5013	UTSJ C	CE04W25V-47M(UTSJ)	1	398054707T	<DT, MP, MA, MO, MQ, MT, SA706>
C5014	UTSP C	CE04W50V-47M(UTSP)	1	397584707T	<DC, DD>
C5014	UTSJ C	CE04W25V-47M(UTSJ)	1	398054707T	<DT, MP, MA, MO, MQ, MT, SA706>
C5015	UTSP C	CE04W50V-47M(UTSP)	1	397584707T	<DC, DD>
C5015	UTSJ C	CE04W25V-47M(UTSJ)	1	398054707T	<DT, MP, MA, MO, MQ, MT, SA706>
C5016	UTSP C	CE04W50V-47M(UTSP)	1	397584707T	<DC, DD>
C5016	UTSJ C	CE04W25V-47M(UTSJ)	1	398054707T	<DT, MP, MA, MO, MQ, MT, SA706>
C5020	UTSP C	CE04W50V-10M(UTSP)	1	397581007T	
C5021	UTSP C	CE04W50V-10M(UTSP)	1	397581007T	
C5022	UTSP C	CE04W50V-10M(UTSP)	1	397581007T	
C5023	UTSP C	CE04W50V-10M(UTSP)	1	397581007T	
C5024	UTSP C	CE04W50V-10M(UTSP)	1	397581007T	
C5025	UTSP C	CE04W50V-10M(UTSP)	1	397581007T	
C5026	UTSP C	CE04W50V-10M(UTSP)	1	397581007T	
C5040	UTSP C	CE04W10V-470M(UTSP)	1	397534717T	
C5041	UTSP C	CE04W10V-470M(UTSP)	1	397534717T	
C5042	UTSP C	CE04W10V-470M(UTSP)	1	397534717T	
C5043	UTSP C	CE04W10V-470M(UTSP)	1	397534717T	
C5044	UTSP C	CE04W10V-470M(UTSP)	1	397534717T	
C5045	UTSP C	CE04W10V-470M(UTSP)	1	397534717T	
C5046	UTSP C	CE04W10V-470M(UTSP)	1	397534717T	
C5050	UTSP C	CE04W50V-47M(UTSP)	1	397584707T	
C5051	UTSP C	CE04W50V-47M(UTSP)	1	397584707T	
C5052	UTSP C	CE04W50V-47M(UTSP)	1	397584707T	
C5053	UTSP C	CE04W50V-47M(UTSP)	1	397584707T	
C5054	UTSP C	CE04W50V-47M(UTSP)	1	397584707T	
C5055	UTSP C	CE04W50V-47M(UTSP)	1	397584707T	
C5056	UTSP C	CE04W50V-47M(UTSP)	1	397584707T	
C5080	CERA C	CC45SL50V-040C	1	345020401T	

C5081	CERA C	CC45SL50V-040C	1	345020401T	
C5082	CERA C	CC45SL50V-040C	1	345020401T	
C5083	CERA C	CC45SL50V-040C	1	345020401T	
C5084	CERA C	CC45SL50V-040C	1	345020401T	
C5085	CERA C	CC45SL50V-040C	1	345020401T	
C5086	CERA C	CC45SL50V-040C	1	345020401T	
C5090	TF C	ECQ-B50V-101K	1	374721015T	
C5091	TF C	ECQ-B50V-101K	1	374721015T	
C5092	TF C	ECQ-B50V-101K	1	374721015T	
C5093	TF C	ECQ-B50V-101K	1	374721015T	
C5094	TF C	ECQ-B50V-101K	1	374721015T	
C5095	TF C	ECQ-B50V-101K	1	374721015T	
C5096	TF C	ECQ-B50V-101K	1	374721015T	
C5100	VR C	CE04W100V-22M(VR)	1	394692207T	
C5101	VR C	CE04W100V-22M(VR)	1	394692207T	
C5102	VR C	CE04W100V-22M(VR)	1	394692207T	
C5103	VR C	CE04W100V-22M(VR)	1	394692207T	
C5104	VR C	CE04W100V-22M(VR)	1	394692207T	
C5105	VR C	CE04W100V-22M(VR)	1	394692207T	
C5106	VR C	CE04W100V-22M(VR)	1	394692207T	
C5110	VR C	CE04W100V-22M(VR)	1	394692207T	
C5111	VR C	CE04W100V-22M(VR)	1	394692207T	
C5112	VR C	CE04W100V-22M(VR)	1	394692207T	
C5113	VR C	CE04W100V-22M(VR)	1	394692207T	
C5114	VR C	CE04W100V-22M(VR)	1	394692207T	
C5115	VR C	CE04W100V-22M(VR)	1	394692207T	
C5116	VR C	CE04W100V-22M(VR)	1	394692207T	
C6600	TF C	ECQ-B50V-103J	1	374721034T	
C6602	TF C	ECQ-B50V-103J	1	374721034T	
C6603	TF C	ECQ-B50V-103J	1	374721034T	
C6605	TF C	ECQ-B50V-103J	1	374721034T	
C6607	TF C	ECQ-B50V-103J	1	374721034T	
C6630	TF C	ECQ-V50V-473J	1	374724734T	
C6631	TF C	ECQ-V50V-473J	1	374724734T	
C6632	TF C	ECQ-V50V-473J	1	374724734T	
C6633	TF C	ECQ-V50V-473J	1	374724734T	
C6634	TF C	ECQ-V50V-473J	1	374724734T	
C6635	TF C	ECQ-V50V-473J	1	374724734T	
C6636	TF C	ECQ-V50V-473J	1	374724734T	
C6640	TF C	ECQ-B50V-472J	1	374724724T	<MP, MA, MO, MQ, MT, SA706>
C6641	TF C	ECQ-B50V-472J	1	374724724T	<MP, MA, MO, MQ, MT, SA706>
C6642	TF C	ECQ-B50V-472J	1	374724724T	<MP, MA, MO, MQ, MT, SA706>
C6643	TF C	ECQ-B50V-472J	1	374724724T	<MP, MA, MO, MQ, MT, SA706>
C6644	TF C	ECQ-B50V-472J	1	374724724T	<MP, MA, MO, MQ, MT, SA706>
C6645	TF C	ECQ-B50V-472J	1	374724724T	<MP, MA, MO, MQ, MT, SA706>
C6646	TF C	ECQ-B50V-472J	1	374724724T	<MP, MA, MO, MQ, MT, SA706>
C6647	TF C	ECQ-B50V-472J	1	374724724T	<MP, MA, MO, MQ, MT, SA706>
C6648	TF C	ECQ-B50V-472J	1	374724724T	<MP, MA, MO, MQ, MT, SA706>
C6650	TF C	ECQ-B50V-102J	1	374721024T	
C6650	TF C	ECQ-B50V-102J	1	374721024T	
C6650	TF C	ECQ-B50V-102J	1	374721024T	
C6651	TF C	ECQ-B50V-102J	1	374721024T	
C6651	TF C	ECQ-B50V-102J	1	374721024T	

C6651	TF C	ECQ-B50V-102J	1	374721024T	
C6652	TF C	ECQ-B50V-102J	1	374721024T	
C6652	TF C	ECQ-B50V-102J	1	374721024T	
C6652	TF C	ECQ-B50V-102J	1	374721024T	
C6653	TF C	ECQ-B50V-102J	1	374721024T	
C6653	TF C	ECQ-B50V-102J	1	374721024T	
C6653	TF C	ECQ-B50V-102J	1	374721024T	
C6654	TF C	ECQ-B50V-102J	1	374721024T	
C6654	TF C	ECQ-B50V-102J	1	374721024T	
C6654	TF C	ECQ-B50V-102J	1	374721024T	
C6655	TF C	ECQ-B50V-102J	1	374721024T	
C6655	TF C	ECQ-B50V-102J	1	374721024T	
C6655	TF C	ECQ-B50V-102J	1	374721024T	
C6655	TF C	ECQ-B50V-102J	1	374721024T	
C6656	TF C	ECQ-B50V-102J	1	374721024T	
C6656	TF C	ECQ-B50V-102J	1	374721024T	
C6656	TF C	ECQ-B50V-102J	1	374721024T	
C6657	TF C	ECQ-B50V-102J	1	374721024T	
C6657	TF C	ECQ-B50V-102J	1	374721024T	
C6657	TF C	ECQ-B50V-102J	1	374721024T	
C6658	TF C	ECQ-B50V-102J	1	374721024T	
C6658	TF C	ECQ-B50V-102J	1	374721024T	
C6658	TF C	ECQ-B50V-102J	1	374721024T	
R921	METAL O R	RS1/2WBJ-82	1	443528204T	<DC, DD, DT>
R921	METAL O R	RS1/2WBJ-47	1	443524704T	<MP, MA, MO, MQ, MT, SA706>
R922	METAL O R	RS1/2WBJ-47	1	443524704T	<DC, DD, DT>
R922	METAL O R	RS1/2WBJ-82	1	443528204T	<MP, MA, MO, MQ, MT, SA706>
R934	CARBON R	R16J-33K	1	417343334T	
R5000	CARBON R	R16J-1.5K	1	417341524T	
R5001	CARBON R	R16J-1.5K	1	417341524T	
R5002	CARBON R	R16J-1.5K	1	417341524T	
R5003	CARBON R	R16J-1.5K	1	417341524T	
R5004	CARBON R	R16J-1.5K	1	417341524T	
R5005	CARBON R	R16J-1.5K	1	417341524T	
R5006	CARBON R	R16J-1.5K	1	417341524T	
R5010	CARBON R	R16J-33K	1	417343334T	
R5011	CARBON R	R16J-33K	1	417343334T	
R5012	CARBON R	R16J-33K	1	417343334T	
R5013	CARBON R	R16J-33K	1	417343334T	
R5014	CARBON R	R16J-33K	1	417343334T	
R5015	CARBON R	R16J-33K	1	417343334T	
R5016	CARBON R	R16J-33K	1	417343334T	
R5020	CARBON R	R16J-330	1	417343314T	
R5021	CARBON R	R16J-330	1	417343314T	
R5022	CARBON R	R16J-330	1	417343314T	
R5023	CARBON R	R16J-330	1	417343314T	
R5024	CARBON R	R16J-330	1	417343314T	
R5025	CARBON R	R16J-330	1	417343314T	
R5026	CARBON R	R16J-330	1	417343314T	
R5030	CARBON R	R16J-33K	1	417343334T	
R5031	CARBON R	R16J-33K	1	417343334T	
R5032	CARBON R	R16J-33K	1	417343334T	
R5033	CARBON R	R16J-33K	1	417343334T	
R5034	CARBON R	R16J-33K	1	417343334T	

R5035	CARBON R	R16J-33K	1	417343334T
R5036	CARBON R	R16J-33K	1	417343334T
R5040	CARBON R	R16J-1K	1	417341024T
R5041	CARBON R	R16J-1K	1	417341024T
R5042	CARBON R	R16J-1K	1	417341024T
R5043	CARBON R	R16J-1K	1	417341024T
R5044	CARBON R	R16J-1K	1	417341024T
R5045	CARBON R	R16J-1K	1	417341024T
R5046	CARBON R	R16J-1K	1	417341024T
R5050	CARBON R	R16J-5.6K	1	417345624T
R5051	CARBON R	R16J-5.6K	1	417345624T
R5052	CARBON R	R16J-5.6K	1	417345624T
R5053	CARBON R	R16J-5.6K	1	417345624T
R5054	CARBON R	R16J-5.6K	1	417345624T
R5055	CARBON R	R16J-5.6K	1	417345624T
R5056	CARBON R	R16J-5.6K	1	417345624T
R5060	CARBON R	R16J-2.7K	1	417342724T
R5061	CARBON R	R16J-2.7K	1	417342724T
R5062	CARBON R	R16J-2.7K	1	417342724T
R5063	CARBON R	R16J-2.7K	1	417342724T
R5064	CARBON R	R16J-2.7K	1	417342724T
R5065	CARBON R	R16J-2.7K	1	417342724T
R5066	CARBON R	R16J-2.7K	1	417342724T
R5080	NF CARBON R	R25J-1.0K	1	415471024T
R5081	NF CARBON R	R25J-1.0K	1	415471024T
R5082	NF CARBON R	R25J-1.0K	1	415471024T
R5083	NF CARBON R	R25J-1.0K	1	415471024T
R5084	NF CARBON R	R25J-1.0K	1	415471024T
R5085	NF CARBON R	R25J-1.0K	1	415471024T
R5086	NF CARBON R	R25J-1.0K	1	415471024T
R5090	CARBON R	R16J-100K	1	417341044T
R5091	CARBON R	R16J-100K	1	417341044T
R5092	CARBON R	R16J-100K	1	417341044T
R5093	CARBON R	R16J-100K	1	417341044T
R5094	CARBON R	R16J-100K	1	417341044T
R5095	CARBON R	R16J-100K	1	417341044T
R5096	CARBON R	R16J-100K	1	417341044T
R5100	CARBON R	R16J-100K	1	417341044T
R5101	CARBON R	R16J-100K	1	417341044T
R5102	CARBON R	R16J-100K	1	417341044T
R5103	CARBON R	R16J-100K	1	417341044T
R5104	CARBON R	R16J-100K	1	417341044T
R5105	CARBON R	R16J-100K	1	417341044T
R5106	CARBON R	R16J-100K	1	417341044T
R5110	CARBON R	R16J-2.2K	1	417342224T
R5111	CARBON R	R16J-2.2K	1	417342224T
R5112	CARBON R	R16J-2.2K	1	417342224T
R5113	CARBON R	R16J-2.2K	1	417342224T
R5114	CARBON R	R16J-2.2K	1	417342224T
R5115	CARBON R	R16J-2.2K	1	417342224T
R5116	CARBON R	R16J-2.2K	1	417342224T
R5120	CARBON R	R16J-2.2K	1	417342224T
R5121	CARBON R	R16J-2.2K	1	417342224T

R5122	CARBON R	R16J-2.2K	1	417342224T
R5123	CARBON R	R16J-2.2K	1	417342224T
R5124	CARBON R	R16J-2.2K	1	417342224T
R5125	CARBON R	R16J-2.2K	1	417342224T
R5126	CARBON R	R16J-2.2K	1	417342224T
R5130	CARBON R	R16J-18K	1	417341834T
R5131	CARBON R	R16J-18K	1	417341834T
R5132	CARBON R	R16J-18K	1	417341834T
R5133	CARBON R	R16J-18K	1	417341834T
R5134	CARBON R	R16J-18K	1	417341834T
R5135	CARBON R	R16J-18K	1	417341834T
R5136	CARBON R	R16J-18K	1	417341834T
R5140	NF CARBON R	R25J-820	1	415478214T
R5141	NF CARBON R	R25J-820	1	415478214T
R5142	NF CARBON R	R25J-820	1	415478214T
R5143	NF CARBON R	R25J-820	1	415478214T
R5144	NF CARBON R	R25J-820	1	415478214T
R5145	NF CARBON R	R25J-820	1	415478214T
R5146	NF CARBON R	R25J-820	1	415478214T
R5150	NF CARBON R	R25J-1.0K	1	415471024T
R5151	NF CARBON R	R25J-1.0K	1	415471024T
R5152	NF CARBON R	R25J-1.0K	1	415471024T
R5153	NF CARBON R	R25J-1.0K	1	415471024T
R5154	NF CARBON R	R25J-1.0K	1	415471024T
R5155	NF CARBON R	R25J-1.0K	1	415471024T
R5156	NF CARBON R	R25J-1.0K	1	415471024T
R5160	NF CARBON R	R25J-820	1	415478214T
R5161	NF CARBON R	R25J-820	1	415478214T
R5162	NF CARBON R	R25J-820	1	415478214T
R5163	NF CARBON R	R25J-820	1	415478214T
R5164	NF CARBON R	R25J-820	1	415478214T
R5165	NF CARBON R	R25J-820	1	415478214T
R5166	NF CARBON R	R25J-820	1	415478214T
R5170	NF CARBON R	R25J-820	1	415478214T
R5171	NF CARBON R	R25J-820	1	415478214T
R5172	NF CARBON R	R25J-820	1	415478214T
R5173	NF CARBON R	R25J-820	1	415478214T
R5174	NF CARBON R	R25J-820	1	415478214T
R5175	NF CARBON R	R25J-820	1	415478214T
R5176	NF CARBON R	R25J-820	1	415478214T
R5180	NF CARBON R	R25J-10	1	415471004T
R5181	NF CARBON R	R25J-10	1	415471004T
R5182	NF CARBON R	R25J-10	1	415471004T
R5183	NF CARBON R	R25J-10	1	415471004T
R5184	NF CARBON R	R25J-10	1	415471004T
R5185	NF CARBON R	R25J-10	1	415471004T
R5186	NF CARBON R	R25J-10	1	415471004T
R5190	NF CARBON R	R25J-10	1	415471004T
R5191	NF CARBON R	R25J-10	1	415471004T
R5192	NF CARBON R	R25J-10	1	415471004T
R5193	NF CARBON R	R25J-10	1	415471004T
R5194	NF CARBON R	R25J-10	1	415471004T
R5195	NF CARBON R	R25J-10	1	415471004T

R5196	NF CARBON R	R25J-10	1	415471004T
R5200	CARBON R	R16J-18K	1	417341834T
R5201	CARBON R	R16J-18K	1	417341834T
R5202	CARBON R	R16J-18K	1	417341834T
R5203	CARBON R	R16J-18K	1	417341834T
R5204	CARBON R	R16J-18K	1	417341834T
R5205	CARBON R	R16J-18K	1	417341834T
R5206	CARBON R	R16J-18K	1	417341834T
R5210	NF CARBON R	R25J-120	1	415471214T
R5211	NF CARBON R	R25J-120	1	415471214T
R5212	NF CARBON R	R25J-120	1	415471214T
R5213	NF CARBON R	R25J-120	1	415471214T
R5214	NF CARBON R	R25J-120	1	415471214T
R5215	NF CARBON R	R25J-120	1	415471214T
R5216	NF CARBON R	R25J-120	1	415471214T
R5220	NF CARBON R	R25J-120	1	415471214T
R5221	NF CARBON R	R25J-120	1	415471214T
R5222	NF CARBON R	R25J-120	1	415471214T
R5223	NF CARBON R	R25J-120	1	415471214T
R5224	NF CARBON R	R25J-120	1	415471214T
R5225	NF CARBON R	R25J-120	1	415471214T
R5226	NF CARBON R	R25J-120	1	415471214T
R5300	CARBON R	R16J-330	1	417343314T
R5301	CARBON R	R16J-330	1	417343314T
R5302	CARBON R	R16J-330	1	417343314T
R5303	CARBON R	R16J-330	1	417343314T
R5304	CARBON R	R16J-330	1	417343314T
R5305	CARBON R	R16J-330	1	417343314T
R5306	CARBON R	R16J-330	1	417343314T
R5310	CARBON R	R16J-330	1	417343314T
R5311	CARBON R	R16J-330	1	417343314T
R5312	CARBON R	R16J-330	1	417343314T
R5313	CARBON R	R16J-330	1	417343314T
R5314	CARBON R	R16J-330	1	417343314T
R5315	CARBON R	R16J-330	1	417343314T
R5316	CARBON R	R16J-330	1	417343314T
R6600	CARBON R	R16J-22	1	417342204T
R6601	CARBON R	R16J-22	1	417342204T
R6602	CARBON R	R16J-22	1	417342204T
R6603	CARBON R	R16J-22	1	417342204T
R6604	CARBON R	R16J-22	1	417342204T
R6605	CARBON R	R16J-22	1	417342204T
R6606	CARBON R	R16J-22	1	417342204T
R6610	CARBON R	R16J-22	1	417342204T
R6611	CARBON R	R16J-22	1	417342204T
R6612	CARBON R	R16J-22	1	417342204T
R6613	CARBON R	R16J-22	1	417342204T
R6614	CARBON R	R16J-22	1	417342204T
R6615	CARBON R	R16J-22	1	417342204T
R6616	CARBON R	R16J-22	1	417342204T
R6630	METAL R	RNU1WCJ-8.2	1	453630824T
R6631	METAL R	RNU1WCJ-8.2	1	453630824T
R6632	METAL R	RNU1WCJ-8.2	1	453630824T

R6633	METAL R	RNU1WCJ-8.2	1	453630824T	
R6634	METAL R	RNU1WCJ-8.2	1	453630824T	
R6635	METAL R	RNU1WCJ-8.2	1	453630824T	
R6636	METAL R	RNU1WCJ-8.2	1	453630824T	
R6690	METAL R	RNU1WCJ-8.2	1	453630824T	
R6691	METAL O R	RS1/2WBJ-390	1	443523914T	
R6692	METAL O R	RS1/2WBJ-390	1	443523914T	
E901	TRM(SCREW)	NEJITANSI M3	1	25065425	
E902	TRM(SCREW)	NEJITANSI M3	1	25065425	
E5507B	TRM	NTM-1P233(M1969)	1	25060302	
E5509B	TRM	NTM-1P233(M1969)	1	25060302	
E7601	TRM(SCREW)	NEJITANSI M3	1	25065425	
F901C	FUSE HOL	NSCT-1P2031	1	25052133T	!
F901D	FUSE HOL	NSCT-1P2031	1	25052133T	!
JL4103A	SOCKET	NSCT-5P97	1	25050269	
JL6600B	SOCKET	NSCT-7P99	1	25050271	
JL6603B	SOCKET	NSCT-9P101	1	25050273	
JL6604A	WIRE HOL	NSCT-7P878	1	25051091	
JL6604B	WIRE HOL	NSCT-7P878	1	25051091	
JL6606A	WIRE HOL	NSCT-7P878	1	25051091	
JL6620B	WIRE TRAP	NPLG-7P590	1	25055628	
JL901A	WIRE HOL	NSCT-5P876	1	25051089	
P901A	PLUG	NPLG-2P631	1	25055675	!, <DC, DD>
P901A or	PLUG	1-1123724-2	(1)	25056402	!, <DC, DD>
P907	AC INLET	NPLG-2P913	1	25055960	!, <MP, MA, DT, MO, MQ, MT, SA706>
P911	PLUG	NPLG-2P631	1	25055675	!
P911 or	PLUG	1-1123724-2	(1)	25056402	!
P921	CRIMP AS	CRIMP AS	1	206CC45109UL	<MP, MA, DT, MO, MQ, MT, SA706>
P922	CRIMP AS	CRIMP AS	1	206CC45101UL	<MP, MA, DT, MO, MQ, MT, SA706>
P6000A	SOCKET	NSCT-7P2187	1	25052290	
P6001A	SOCKET	NSCT-7P2187	1	25052290	
P6002A	SOCKET	NSCT-7P2187	1	25052290	
P6003A	SOCKET	NSCT-7P2187	1	25052290	
P6004A	SOCKET	NSCT-7P2187	1	25052290	
P6005	SOCKET	NSCT-7P2187	1	25052290	
P6006	SOCKET	NSCT-7P2187	1	25052290	
P6600	TRM	NTM-2PDMCR400	1	25060472	
P6601	TRM	NTM-2PDMCR400	1	25060472	
P6602	TRM	NTM-2PDMCR400	1	25060472	
P6603	TRM	NTM-2PDMCR400	1	25060472	
P6604	TRM	NTM-2PDMCR400	1	25060472	
P6605	TRM	NTM-2PDMCR400	1	25060472	
P6606	TRM	NTM-2PDMCR400	1	25060472	
P6607	TRM	NTM-2PDMCR400	1	25060472	
P6608	TRM	NTM-2PDMCR400	1	25060472	
P6621	PLUG	NPLG-13P0968	1	25056018	
RL901	RELAY	NRL-1P10A-DC9-186	1	25065683	!
RL6600	RELAY	NRL-2P5A-DC24-158	1	25065618	
RL6600 or	RELAY	NRL-2P5A-DC24-193	(1)	25065703	
RL6602	RELAY	NRL-2P5A-DC24-158	1	25065618	
RL6602 or	RELAY	NRL-2P5A-DC24-193	(1)	25065703	
RL6603	RELAY	NRL-2P5A-DC24-158	1	25065618	
RL6603 or	RELAY	NRL-2P5A-DC24-193	(1)	25065703	

RL6605	RELAY	NRL-2P5A-DC24-158	1	25065618
RL6605 or	RELAY	NRL-2P5A-DC24-193	(1)	25065703
RL6607	RELAY	NRL-2P5A-DC24-158	1	25065618
RL6607 or	RELAY	NRL-2P5A-DC24-193	(1)	25065703

TX-SR706/SA706

PC BOARD PARTS LIST

U16	MICROPROCESSOR AND DAC PC BOARD(NADG-9504-1A/1B/1D)
U17	VIDEO PC BOARD(NAVD-9505-1A/1B/1D)
U19	XM PC BOARD(NARF-9507-1A/1B)

CIRCUIT NO.	PART NAME	DESCRIPTION	Q'TY	PART NO. (SN)	REMARKS
U1301	PHT CP	JSR1165-001recieving	1	24120143	
U1301 or	PHT CP	GP1FAV51RK0F	(1)	24120129	
U1302	PHT CP	JSR1165-001recieving	1	24120143	
U1302 or	PHT CP	GP1FAV51RK0F	(1)	24120129	
Q1	IC	BD7820	1	22242300R2	<DC, DD>
Q2	IC	78M09HF(NJM78M09FA)	1	222780095JRC	<SR706>
Q3	IC	78L05(NJM78L05UA)	1	222780053R2JR	<DC, DD>
Q4	IC	BU9450KV-E2	1	22242505R2	<DC, DD>
Q4 or	IC	F2628E-01	(1)	22242436R2	<DC, DD>
Q5	IC	AK4388ET-E2	1	22242519R2	<DC, DD>
Q6	IC	NJM4580M-D	1	22241448R2	<DC, DD>
Q8	IC	NJM2860F3-33	1	22242087R2	<DC, DD>
Q9	IC	NJM4580M-D	1	22241448R2	<SR706>
Q10	IC	NJM4580M-D	1	22241448R2	<DC, DD>
Q1001	TR	KRC104S	1	2216210R2	
Q1001 or	TR	RN1404	(1)	2214490R2	
Q1002	TR	KRA102S	1	2216220R2	
Q1002 or	TR	RN2402	(1)	2214530R2	
Q1003	TR	KRC104S	1	2216210R2	
Q1003 or	TR	RN1404	(1)	2214490R2	
Q1004	TR	KRA102S	1	2216220R2	
Q1004 or	TR	RN2402	(1)	2214530R2	
Q1005	TR	KRC102S	1	2216190R2	
Q1005 or	TR	DTC114EKA	(1)	2216250R2	
Q1005 or	TR	RN1402	(1)	2214470R2	
Q1006	TR	KRA107S	1	2216350R2	
Q1006 or	TR	DTA114YKA	(1)	2216480R2	
Q1006 or	TR	RN2407(TE85L_F)	(1)	2216360R2	
Q1007	TR	KRC102S	1	2216190R2	
Q1007 or	TR	DTC114EKA	(1)	2216250R2	
Q1007 or	TR	RN1402	(1)	2214470R2	
Q1008	TR	KRA107S	1	2216350R2	
Q1008 or	TR	DTA114YKA	(1)	2216480R2	
Q1008 or	TR	RN2407(TE85L_F)	(1)	2216360R2	
Q1009	TR	KRC102S	1	2216190R2	
Q1009 or	TR	DTC114EKA	(1)	2216250R2	
Q1009 or	TR	RN1402	(1)	2214470R2	
Q1010	TR	KRC104S	1	2216210R2	
Q1010 or	TR	RN1404	(1)	2214490R2	

Q1011	TR	KRA102S	1	2216220R2	
Q1011 or	TR	RN2402	(1)	2214530R2	
Q1012	TR	2SK3019	1	2216520R2	
Q1013	TR	2SK3019	1	2216520R2	
Q1014B	HEAT-SINK	HEAT-SINK(RAD-07)	1	27160029	
Q1014C	SCREW	3P+10FN(3BC)	1	82143010GR	
Q1015	IC	AN34060A	1	22242205	
Q1016	IC(MAIN MICROPROCESSOR)	MPD70F3746(02630)	1	222W0079R302630	
Q1017	IC	XC6202P502FR	1	22242331R2	
Q1018	IC	XC6213B332MR	1	22242277R2	
Q1019	IC	S-812C33AUA-C2N	1	22242222R2	
Q1020	IC	S-812C56AUA-C3K	1	22242207R2	
Q1021	IC	74HC595F	1	222745955R2	
Q1022	IC	R1EX25064ASA00A	1	22242581R2	
Q1023	TR	KRC104S	1	2216210R2	
Q1023 or	TR	RN1404	(1)	2214490R2	
Q1024	TR	KRC105S	1	2217290R2	
Q1024 or	TR	DTC123JKA	(1)	2216690R2	
Q1024 or	TR	RN1405	(1)	2214500R2	
Q1025	TR	KRA102S	1	2216220R2	
Q1025 or	TR	RN2402	(1)	2214530R2	
Q1026	TR	KRC104S	1	2216210R2	
Q1026 or	TR	RN1404	(1)	2214490R2	
Q1290	TR	2SC2712-GR	1	2213145R2	
Q1291	IC	TC4066BFT	1	22284066MR2TO	
Q1301	TR	2SC2712-GR	1	2213145R2	
Q1322	IC	TC74VHCT08AFT	1	22274008GR2TO	
Q1322 or	IC	TC74VHCT08AFT (EKJ)	(1)	22274008G1R2TO	
Q1324	IC	CS42516-CQZ(R)-D	1	22242294R2	
Q1325	IC	74HCU04F	1	222740046R2	
Q1326	IC	TC7WU04FU(TE12L_F)	1	22240935R2	
Q1421	IC	CS4382A	1	22242529R2	
Q1601	IC	NJM4580M-D	1	22241448R2	
Q1602	IC	NJM4580M-D	1	22241448R2	
Q1603	IC	NJM4580M-D	1	22241448R2	
Q1604	IC	NJM4580M-D	1	22241448R2	
Q1900	IC	NJM4580M-D	1	22241448R2	
Q1901	IC	NJM4580M-D	1	22241448R2	
Q4000	TR	KRC105S	1	2217290R2	
Q4000 or	TR	RN1405	(1)	2214500R2	
Q4001	IC	78M05(NJM78M05FA)	1	222780055JRC	
Q4002	IC	SI8008TM	1	22242323R2	
Q4003	TR	KRC105S	1	2217290R2	
Q4003 or	TR	RN1405	(1)	2214500R2	
Q4005	IC	SI8008TM	1	22242323R2	<DC, DD>
Q4100	IC	AN15881A-VT	1	22242318R3	
Q4502	TR	2SA950-Y	1	2211504T	
Q4502 or	TR	2SA950-O	(1)	2211503T	
Q4503	TR	2SC1815-GR	1	2211255T	
Q4503 or	TR	2SC1815-Y	(1)	2211254T	
Q4504	TR	2SA854S-R	1	2217394T	
Q4504 or	TR	2SB1240-R	(1)	2213794T	
Q4604	TR	2SA854S-R	1	2217394T	

Q4604 or	TR	2SB1240-R	(1)	2213794T	
Q4605	TR	KRC102S	1	2216190R2	
Q4605 or	TR	RN1402	(1)	2214470R2	
Q4700	IC	ICL3221ECVZ	1	22242268R2	
D1	C-DIODE	1SS352	1	223234R2	<DC, DD>
D1 or	C-DIODE	KDS4148U	(1)	223283R2	<DC, DD>
D1 or	C-DIODE	MA2J111	(1)	223279R2	<DC, DD>
D1001	C-DIODE	1SS352	1	223234R2	
D1001 or	C-DIODE	KDS4148U	(1)	223283R2	
D1001 or	C-DIODE	MA2J111	(1)	223279R2	
D1002	C-DIODE	1SS352	1	223234R2	
D1002 or	C-DIODE	KDS4148U	(1)	223283R2	
D1002 or	C-DIODE	MA2J111	(1)	223279R2	
D1005	C-DIODE	1SS352	1	223234R2	
D1005 or	C-DIODE	KDS4148U	(1)	223283R2	
D1005 or	C-DIODE	MA2J111	(1)	223279R2	
D1006	C-DIODE	1SS352	1	223234R2	
D1006 or	C-DIODE	KDS4148U	(1)	223283R2	
D1006 or	C-DIODE	MA2J111	(1)	223279R2	
D1007	C-DIODE	1SS352	1	223234R2	
D1007 or	C-DIODE	KDS4148U	(1)	223283R2	
D1007 or	C-DIODE	MA2J111	(1)	223279R2	
D4000	C-DIODE	1SS352	1	223234R2	
D4000 or	C-DIODE	KDS4148U	(1)	223283R2	
D4000 or	C-DIODE	MA2J111	(1)	223279R2	
D4001	C-DIODE	1SS352	1	223234R2	
D4001 or	C-DIODE	KDS4148U	(1)	223283R2	
D4001 or	C-DIODE	MA2J111	(1)	223279R2	
D4002	ZENER D	UDZS5.6B	1	224550560R2	
D4002 or	ZENER D	MAZ8056-M	(1)	224750562R2	
D4003	C-DIODE	1SS352	1	223234R2	
D4003 or	C-DIODE	KDS4148U	(1)	223283R2	
D4003 or	C-DIODE	MA2J111	(1)	223279R2	
D4004	DIODE	D5SBA20	1	22380130F	
D4005	DIODE	RB070M-30	1	22380361R2	
D4006	DIODE	RL1N4003	1	22380260T	
D4009	DIODE	D3SBA20	1	22380271F	
D4013	DIODE	RB070M-30	1	22380361R2	<DC, DD>
D4014	C-DIODE	1SS352	1	223234R2	<DC, DD>
D4014 or	C-DIODE	KDS4148U	(1)	223283R2	<DC, DD>
D4014 or	C-DIODE	MA2J111	(1)	223279R2	<DC, DD>
D4015	C-DIODE	1SS352	1	223234R2	
D4015 or	C-DIODE	KDS4148U	(1)	223283R2	
D4015 or	C-DIODE	MA2J111	(1)	223279R2	
D4016	C-DIODE	1SS352	1	223234R2	
D4016 or	C-DIODE	KDS4148U	(1)	223283R2	
D4016 or	C-DIODE	MA2J111	(1)	223279R2	
D4500	C-DIODE	1SS352	1	223234R2	
D4500 or	C-DIODE	KDS4148U	(1)	223283R2	
D4500 or	C-DIODE	MA2J111	(1)	223279R2	
D4501	C-DIODE	1SS352	1	223234R2	
D4501 or	C-DIODE	KDS4148U	(1)	223283R2	
D4501 or	C-DIODE	MA2J111	(1)	223279R2	

D4604	C-DIODE	1SS352	1	223234R2	
D4604 or	C-DIODE	KDS4148U	(1)	223283R2	
D4604 or	C-DIODE	MA2J111	(1)	223279R2	
D4605	C-DIODE	1SS352	1	223234R2	
D4605 or	C-DIODE	KDS4148U	(1)	223283R2	
D4605 or	C-DIODE	MA2J111	(1)	223279R2	
D4606	DIODE	RL1N4003	1	22380260T	
X1	CRYSTAL	DSX530GA 45.1584MHZ	1	3010418R2	<DC, DD>
X1 or	CRYSTAL	FCX-03 45.15840MHZ	(1)	3010466R2	<DC, DD>
X1001	CERA LOCK	CSTCR5M00G53-B0	1	3010356R2	
X1301	CRYSTAL	HC-49US24.576MHZ	1	3010423T	
L1	CHOKE COIL	BLM21PG221SN1	1	230949R2	<DC, DD>
L2	CHOKE COIL	BLM21PG221SN1	1	230949R2	<DC, DD>
L3	CHOKE COIL	LBC2518T2R2M	1	231364M022R2	<DC, DD>
L4	EMIFIL	BK1608LM182-T	1	230958R1	<DC, DD>
L6	CHOKE COIL	LBC2518T2R2M	1	231364M022R2	<DC, DD>
L1290	CHOKE COIL	LBC2518T470M	1	231364M470R2	
L1305	CHOKE COIL	LBC2518T2R2M	1	231364M022R2	
L1306	CHOKE COIL	LBC2518T470M	1	231364M470R2	
L1307	CHOKE COIL	LBC2518T2R2M	1	231364M022R2	
L1308	CHOKE COIL	LBC2518T2R2M	1	231364M022R2	
L1309	CHOKE COIL	LBC2518T4R7M	1	231364M047R2	
L1312	CHOKE COIL	LBC2518T470M	1	231364M470R2	
L1313	CHOKE COIL	LBC2518T4R7M	1	231364M047R2	
L1314	CHOKE COIL	LBC2518T4R7M	1	231364M047R2	
L1315	CHOKE COIL	LBC2518T4R7M	1	231364M047R2	
L1316	EMIFIL	BK1608LM182-T	1	230958R1	
L1317	EMIFIL	BK1608LM182-T	1	230958R1	
L1318	CHOKE COIL	LBC2518T470M	1	231364M470R2	
L1319	CHOKE COIL	LBC2518T470M	1	231364M470R2	
L1320	EMIFIL	BK1608LM182-T	1	230958R1	
L1402	CHOKE COIL	LBC2518T4R7M	1	231364M047R2	
L1403	CHOKE COIL	LBC2518T4R7M	1	231364M047R2	
L1404	CHOKE COIL	LBC2518T4R7M	1	231364M047R2	
L4000	CHOKE COIL	NCH-2541	1	231363K470A	
L4001	CHOKE COIL	LBC2518T4R7M	1	231364M047R2	
L4003	CHOKE COIL	NCH-2541	1	231363K470A	<DC, DD>
L4602	EMIFIL	BK1608LM182-T	1	230958R1	
L4603	EMIFIL	BK1608LM182-T	1	230958R1	
L4700	CHOKE COIL	LBC2518T470M	1	231364M470R2	
C1	UTSP C	CE04W50V-10M(UTSP)	1	397581007T	<SR706>
C2	VR C	CE04W16V-100M(VR)	1	394641017T	<SR706>
C3	UTSP C	CE04W50V-10M(UTSP)	1	397581007T	<DC, DD>
C4	VR C	CE04W16V-100M(VR)	1	394641017T	<DC, DD>
C5	VR C	CE04W16V-100M(VR)	1	394641017T	<DC, DD>
C6	C-CERA C	CK725F1E-104Z1	1	332161040R1	<DC, DD>
C8	C-CERA C	CK725F1E-104Z1	1	332161040R1	<DC, DD>
C9	C-CERA C	CK725B1H-102K1	1	332101025R1	<DC, DD>
C10	C-CERA C	CK725B1H-102K1	1	332101025R1	<DC, DD>
C11	VR C	CE04W6.3V-220M(VR)	1	394622217T	<DC, DD>
C12	C-CERA C	CK725F1E-104Z1	1	332161040R1	<DC, DD>
C13	C-CERA C	CC725CH1H-821J1	1	342108214R1	<DC, DD>
C14	UTSP C	CE04W50V-10M(UTSP)	1	397581007T	<DC, DD>

C15	UTSP C	CE04W50V-10M(UTSP)	1	397581007T	<DC, DD>
C16	C-CERA C	CK725F1E-104Z1	1	332161040R1	<DC, DD>
C17	C-CERA C	CC725CH1H-821J1	1	342108214R1	<DC, DD>
C18	C-CERA C	CK725F1E-104Z1	1	332161040R1	<DC, DD>
C19	C-CERA C	CK725F1E-104Z1	1	332161040R1	<DC, DD>
C20	C-CERA C	CK725F1E-104Z1	1	332161040R1	<DC, DD>
C21	VR C	CE04W16V-220M(VR)	1	394642217T	<SR706>
C22	UTSP C	CE04W50V-10M(UTSP)	1	397581007T	<DC, DD>
C23	C-CERA C	CK725F1E-104Z1	1	332161040R1	<DC, DD>
C24	C-CERA C	CK725F1E-104Z1	1	332161040R1	<DC, DD>
C25	C-CERA C	CK725F1E-104Z1	1	332161040R1	<DC, DD>
C26	VR C	CE04W16V-220M(VR)	1	394642217T	<SR706>
C27	C-CERA C	CC725CH1H-821J1	1	342108214R1	<DC, DD>
C28	C-CERA C	CK725F1E-104Z1	1	332161040R1	<DC, DD>
C29	UTSP C	CE04W50V-10M(UTSP)	1	397581007T	<DC, DD>
C30	UTSP C	CE04W50V-10M(UTSP)	1	397581007T	<DC, DD>
C32	C-CERA C	CC725CH1H-821J1	1	342108214R1	<DC, DD>
C33	C-CERA C	CK725B1H-102K1	1	332101025R1	<DC, DD>
C34	C-CERA C	CK725F1E-104Z1	1	332161040R1	<DC, DD>
C35	C-CERA C	CK725F1E-104Z1	1	332161040R1	<DC, DD>
C36	C-CERA C	CK725F1E-104Z1	1	332161040R1	<DC, DD>
C38	C-CERA C	CK725B1H-102K1	1	332101025R1	<DC, DD>
C39	VR C	CE04W16V-100M(VR)	1	394641017T	<DC, DD>
C40	C-CERA C	CC725CH1H-080D1	1	342100802R1	<DC, DD>
C41	C-CERA C	CC725CH1H-040C1	1	342100401R1	<DC, DD>
C42	C-CERA C	CK725F1A-105Z1	1	332181050R1	<DC, DD>
C43	C-CERA C	CK725F1A-105Z1	1	332181050R1	<DC, DD>
C44	C-CERA C	CK725F1A-105Z1	1	332181050R1	<DC, DD>
C47	UTSP C	CE04W50V-10M(UTSP)	1	397581007T	<SR706>
C48	UTSP C	CE04W50V-10M(UTSP)	1	397581007T	<SR706>
C52	UTSP C	CE04W50V-10M(UTSP)	1	397581007T	<DC, DD>
C53	UTSP C	CE04W50V-10M(UTSP)	1	397581007T	<DC, DD>
C1001	C-CERA C	CK725F1A-105Z1	1	332181050R1	
C1002	C-CERA C	CK725F1E-104Z1	1	332161040R1	
C1004	C-CERA C	CK725F1A-105Z1	1	332181050R1	
C1005	C-CERA C	CK725F1E-104Z1	1	332161040R1	
C1006	C-CERA C	CK725F1E-104Z1	1	332161040R1	
C1007	C-CERA C	CK725F1A-105Z1	1	332181050R1	
C1008	C-CERA C	CC725CH1H-101J1	1	342101014R1	
C1009	C-CERA C	CC725CH1H-101J1	1	342101014R1	
C1010	C-CERA C	CK725B1H-102K1	1	332101025R1	
C1011	VR C	CE04W16V-100M(VR)	1	394641017T	
C1013	VR C	CE04W16V-100M(VR)	1	394641017T	
C1014	VR C	CE04W16V-100M(VR)	1	394641017T	
C1015	VR C	CE04W16V-100M(VR)	1	394641017T	
C1017	VR C	CE04W16V-100M(VR)	1	394641017T	
C1019	VR C	CE04W16V-100M(VR)	1	394641017T	
C1020	C-CERA C	CK725F1A-105Z1	1	332181050R1	
C1021	C-CERA C	CK725B1H-102K1	1	332101025R1	
C1022	C-CERA C	CK725B1H-102K1	1	332101025R1	
C1023	UTSP C	CE04W50V-4.7M(UTSP)	1	397580477T	
C1024	C-CERA C	CK725B1H-102K1	1	332101025R1	
C1025	C-CERA C	CK725B1H-102K1	1	332101025R1	

C1026	C-CERA C	CK725B1H-102K1	1	332101025R1
C1027	C-CERA C	CK725B1H-102K1	1	332101025R1
C1028	VR C	CE04W50V-10M(VR)	1	394681007T
C1029	VR C	CE04W16V-100M(VR)	1	394641017T
C1030	C-CERA C	CK725F1E-104Z1	1	332161040R1
C1031	C-CERA C	CK725F1E-104Z1	1	332161040R1
C1032	C-CERA C	CK725F1E-104Z1	1	332161040R1
C1033	C-CERA C	CK725F1E-104Z1	1	332161040R1
C1034	C-CERA C	CK725F1E-104Z1	1	332161040R1
C1035	C-CERA C	CK725F1E-104Z1	1	332161040R1
C1036	C-CERA C	CK725F1E-104Z1	1	332161040R1
C1037	C-CERA C	CK725F1E-104Z1	1	332161040R1
C1038	VR C	CE04W50V-10M(VR)	1	394681007T
C1039	C-CERA C	CK725F1E-104Z1	1	332161040R1
C1040	VR C	CE04W6.3V-470M(VR)	1	394624717T
C1041	UTSP C	CE04W50V-4.7M(UTSP)	1	397580477T
C1042	C-CERA C	CK725F1E-104Z1	1	332161040R1
C1050	C-CERA C	CC725CH1H-101J1	1	342101014R1
C1051	C-CERA C	CC725CH1H-101J1	1	342101014R1
C1199	VR C	CE04W16V-470M(VR)	1	394644717T
C1290	VR C	CE04W16V-100M(VR)	1	394641017T
C1291	C-CERA C	CK725F1E-104Z1	1	332161040R1
C1292	UTSP C	CE04W50V-10M(UTSP)	1	397581007T
C1293	UTSP C	CE04W50V-10M(UTSP)	1	397581007T
C1294	UTSP C	CE04W50V 47M(UTSP)	1	397584707T
C1295	UTSP C	CE04W50V 47M(UTSP)	1	397584707T
C1296	UTSP C	CE04W50V 47M(UTSP)	1	397584707T
C1364	C-CERA C	CK725B1H-102K1	1	332101025R1
C1365	C-CERA C	CK725B1C-104K1	1	332121045R1
C1366	C-CERA C	CC725CH1H-101J1	1	342101014R1
C1367	C-CERA C	CK725F1E-104Z1	1	332161040R1
C1368	C-CERA C	CC725CH1H-101J1	1	342101014R1
C1369	VR C	CE04W16V-100M(VR)	1	394641017T
C1370	C-CERA C	CK725B1C-104K1	1	332121045R1
C1371	C-CERA C	CK725F1E-104Z1	1	332161040R1
C1372	C-CERA C	CK725F1E-104Z1	1	332161040R1
C1373	C-CERA C	CK725F1E-104Z1	1	332161040R1
C1374	UTSP C	CE04W10V-470M(UTSP)	1	397534717T
C1376	VR C	CE04W16V-100M(VR)	1	394641017T
C1377	UTSJ C	CE04W25V-47M(UTSJ)	1	398054707T
C1378	C-CERA C	CK725F1E-104Z1	1	332161040R1
C1380	C-CERA C	CK725B1C-104K1	1	332121045R1
C1381	C-CERA C	CC725CH1H-101J1	1	342101014R1
C1382	C-FILM C	ECHU50V-222J	1	37302224R2
C1383	C-FILM C	ECHU50V-222J	1	37302224R2
C1388	C-CERA C	CK725B1H-102K1	1	332101025R1
C1390	C-CERA C	CK725B1H-223K1	1	332102235R1
C1392	C-CERA C	CK725F1E-104Z1	1	332161040R1
C1396	C-CERA C	CK725F1E-104Z1	1	332161040R1
C1397	C-CERA C	CK725B1H-102K1	1	332101025R1
C1398	C-CERA C	CK725F1E-104Z1	1	332161040R1
C1399	UTSP C	CE04W10V-470M(UTSP)	1	397534717T
C1400	C-CERA C	CK725F1E-104Z1	1	332161040R1

C1401	C-CERA C	CC725CH1H-330J1	1	342103304R1
C1402	C-CERA C	CC725CH1H-330J1	1	342103304R1
C1403	C-CERA C	CC725CH1H-330J1	1	342103304R1
C1404	C-CERA C	CC725CH1H-330J1	1	342103304R1
C1405	C-CERA C	CC725CH1H-330J1	1	342103304R1
C1406	C-CERA C	CC725CH1H-330J1	1	342103304R1
C1408	C-CERA C	CC725CH1H-080D1	1	342100802R1
C1409	C-CERA C	CC725CH1H-080D1	1	342100802R1
C1410	UTSP C	CE04W10V-470M(UTSP)	1	397534717T
C1411	UTSP C	CE04W10V-470M(UTSP)	1	397534717T
C1413	C-CERA C	CK725F1E-104Z1	1	332161040R1
C1414	C-CERA C	CK725F1E-104Z1	1	332161040R1
C1415	C-CERA C	CK725F1E-104Z1	1	332161040R1
C1417	C-CERA C	CK725F1E-104Z1	1	332161040R1
C1418	C-CERA C	CK725F1E-104Z1	1	332161040R1
C1419	C-CERA C	CC725CH1H-080D1	1	342100802R1
C1420	C-CERA C	CK725B1H-102K1	1	332101025R1
C1424	C-CERA C	CC725CH1H-060D1	1	342100602R1
C1425	C-CERA C	CC725CH1H-060D1	1	342100602R1
C1451	C-FILM C	ECHU16V-104J	1	373041044R2
C1452	UTSP C	CE04W10V-470M(UTSP)	1	397534717T
C1453	UTSP C	CE04W10V-470M(UTSP)	1	397534717T
C1454	C-FILM C	ECHU16V-104J	1	373041044R2
C1455	C-FILM C	ECHU16V-104J	1	373041044R2
C1456	UTSP C	CE04W25V-47M(UTSP)	1	397554707T
C1457	C-FILM C	ECHU16V-104J	1	373041044R2
C1458	UTSJ C	CE04W25V-47M(UTSJ)	1	398054707T
C1460	UTSP C	CE04W10V-470M(UTSP)	1	397534717T
C1461	C-FILM C	ECHU16V-104J	1	373041044R2
C1499	VR C	CE04W16V-100M(VR)	1	394641017T
C1600	TF C	ECQ-B50V-471J	1	374724714T
C1601	TF C	ECQ-B50V-471J	1	374724714T
C1602	TF C	ECQ-B50V-471J	1	374724714T
C1603	TF C	ECQ-B50V-471J	1	374724714T
C1604	TF C	ECQ-B50V-471J	1	374724714T
C1605	TF C	ECQ-B50V-471J	1	374724714T
C1606	TF C	ECQ-B50V-471J	1	374724714T
C1607	TF C	ECQ-B50V-471J	1	374724714T
C1610	TF C	ECQ-B50V-151K	1	374721515T
C1611	TF C	ECQ-B50V-151K	1	374721515T
C1612	TF C	ECQ-B50V-151K	1	374721515T
C1613	TF C	ECQ-B50V-151K	1	374721515T
C1614	TF C	ECQ-B50V-151K	1	374721515T
C1615	TF C	ECQ-B50V-151K	1	374721515T
C1616	TF C	ECQ-B50V-151K	1	374721515T
C1617	TF C	ECQ-B50V-151K	1	374721515T
C1620	TF C	ECQ-B50V-151K	1	374721515T
C1621	TF C	ECQ-B50V-151K	1	374721515T
C1622	TF C	ECQ-B50V-151K	1	374721515T
C1623	TF C	ECQ-B50V-151K	1	374721515T
C1624	TF C	ECQ-B50V-151K	1	374721515T
C1625	TF C	ECQ-B50V-151K	1	374721515T
C1626	TF C	ECQ-B50V-151K	1	374721515T

C1627	TF C	ECQ-B50V-151K	1	374721515T	
C1650	UTSP C	CE04W25V-220M(UTSP)	1	397552217T	
C1651	UTSP C	CE04W25V-220M(UTSP)	1	397552217T	
C1900	UTSP C	CE04W25V-47M(UTSP)	1	397554707T	
C1901	UTSP C	CE04W25V-47M(UTSP)	1	397554707T	
C1910	UTSP C	CE04W25V-47M(UTSP)	1	397554707T	
C1911	UTSP C	CE04W25V-47M(UTSP)	1	397554707T	
C1912	C-CERA C	CK725F1A-105Z1	1	332181050R1	
C4000	UTSP C	CE04W50V-4.7M(UTSP)	1	397580477T	
C4001	VR C	CE04W16V-470M(VR)	1	394644717T	
C4002	UTSP C	CE04W10V-470M(UTSP)	1	397534717T	
C4003	TF C	ECQ-V50V-334J	1	374723344T	
C4004	UTSP C	CE04W10V-470M(UTSP)	1	397534717T	
C4005	C-CERA C	CK725B1H-223K1	1	332102235R1	
C4006	C-CERA C	CK725F1E-104Z1	1	332161040R1	
C4007	ELECT C	CE04W18V-10000M(VZ)	1	3945H1037S	
C4012	TF C	ECQ-V50V-334J	1	374723344T	
C4013	ELECT C	CE04W18V-10000M(VZ)	1	3945H1037S	
C4023	VR C	CE04W16V-470M(VR)	1	394644717T	<DC, DD>
C4024	C-CERA C	CK725F1E-104Z1	1	332161040R1	<DC, DD>
C4025	UTSP C	CE04W10V-470M(UTSP)	1	397534717T	<DC, DD>
C4100	UTSP C	CE04W50V-10M(UTSP)	1	397581007T	
C4102	UTSP C	CE04W50V-10M(UTSP)	1	397581007T	
C4103	C-CERA C	CK725F1E-104Z1	1	332161040R1	
C4109	C-CERA C	CK725F1E-104Z1	1	332161040R1	
C4110	C-CERA C	CK725F1E-104Z1	1	332161040R1	
C4111	C-CERA C	CK725F1E-104Z1	1	332161040R1	
C4113	C-CERA C	CK725F1E-104Z1	1	332161040R1	
C4114	UTSP C	CE04W50V-10M(UTSP)	1	397581007T	
C4115	VR C	CE04W6.3V-470M(VR)	1	394624717T	
C4117	C-CERA C	CK725F1E-104Z1	1	332161040R1	
C4118	C-CERA C	CK725F1E-104Z1	1	332161040R1	
C4119	VR C	CE04W6.3V-470M(VR)	1	394624717T	
C4120	C-CERA C	CK725F1E-104Z1	1	332161040R1	
C4121	C-CERA C	CC725CH1H-102J1	1	342101024R1	
C4122	UTSP C	CE04W50V-10M(UTSP)	1	397581007T	
C4123	C-CERA C	CK725F1E-104Z1	1	332161040R1	
C4124	VR C	CE04W6.3V-220M(VR)	1	394622217T	
C4125	UTSP C	CE04W25V-47M(UTSP)	1	397554707T	
C4126	VR C	CE04W6.3V-220M(VR)	1	394622217T	
C4127	C-CERA C	CK725F1E-104Z1	1	332161040R1	
C4128	C-CERA C	CK725F1E-104Z1	1	332161040R1	
C4129	UTSP C	CE04W50V-22M(UTSP)	1	397582207T	
C4130	C-CERA C	CC725CH1H-221J1	1	342102214R1	
C4131	C-CERA C	CK725F1E-104Z1	1	332161040R1	
C4132	VR C	CE04W6.3V-220M(VR)	1	394622217T	
C4133	UTSP C	CE04W50V-10M(UTSP)	1	397581007T	
C4134	C-CERA C	CK725F1E-104Z1	1	332161040R1	
C4135	UTSP C	CE04W50V-22M(UTSP)	1	397582207T	
C4136	UTSP C	CE04W25V-47M(UTSP)	1	397554707T	
C4137	C-CERA C	CC725CH1H-221J1	1	342102214R1	
C4138	VR C	CE04W6.3V-220M(VR)	1	394622217T	
C4139	UTSP C	CE04W50V-22M(UTSP)	1	397582207T	

C4140	C-CERA C	CK725F1E-104Z1	1	332161040R1
C4141	UTSP C	CE04W50V-10M(UTSP)	1	397581007T
C4142	C-CERA C	CK725F1E-104Z1	1	332161040R1
C4143	C-CERA C	CK725F1E-104Z1	1	332161040R1
C4144	C-CERA C	CK725F1E-104Z1	1	332161040R1
C4145	UTSP C	CE04W25V-47M(UTSP)	1	397554707T
C4146	VR C	CE04W6.3V-470M(VR)	1	394624717T
C4147	VR C	CE04W6.3V-470M(VR)	1	394624717T
C4149	C-CERA C	CC725CH1H-470J1	1	342104704R1
C4150	VR C	CE04W6.3V-470M(VR)	1	394624717T
C4151	C-CERA C	CK725F1E-104Z1	1	332161040R1
C4152	UTSP C	CE04W25V-47M(UTSP)	1	397554707T
C4153	C-CERA C	CK725F1E-104Z1	1	332161040R1
C4154	C-CERA C	CK725F1E-104Z1	1	332161040R1
C4155	C-CERA C	CC725CH1H-470J1	1	342104704R1
C4156	UTSP C	CE04W25V-47M(UTSP)	1	397554707T
C4157	VR C	CE04W6.3V-470M(VR)	1	394624717T
C4158	C-CERA C	CC725CH1H-470J1	1	342104704R1
C4161	C-CERA C	CK725F1E-104Z1	1	332161040R1
C4162	C-CERA C	CK725F1E-104Z1	1	332161040R1
C4163	VR C	CE04W6.3V-470M(VR)	1	394624717T
C4164	VR C	CE04W6.3V-470M(VR)	1	394624717T
C4167	C-CERA C	CK725F1E-104Z1	1	332161040R1
C4168	UTSP C	CE04W50V-10M(UTSP)	1	397581007T
C4169	UTSP C	CE04W50V-10M(UTSP)	1	397581007T
C4174	C-CERA C	CK725B1H-102K1	1	332101025R1
C4175	C-CERA C	CK725F1E-104Z1	1	332161040R1
C4176	UTSP C	CE04W50V-10M(UTSP)	1	397581007T
C4179	UTSP C	CE04W50V-10M(UTSP)	1	397581007T
C4193	C-CERA C	CC725CH1H-151J1	1	342101514R1
C4194	C-CERA C	CC725CH1H-151J1	1	342101514R1
C4195	C-CERA C	CC725CH1H-151J1	1	342101514R1
C4196	C-CERA C	CK725B1H-102K1	1	332101025R1
C4197	C-CERA C	CK725F1E-104Z1	1	332161040R1
C4198	UTSP C	CE04W50V-10M(UTSP)	1	397581007T
C4199	UTSP C	CE04W50V-10M(UTSP)	1	397581007T
C4202	C-CERA C	CK725F1E-104Z1	1	332161040R1
C4205	UTSP C	CE04W50V-10M(UTSP)	1	397581007T
C4206	UTSP C	CE04W50V-10M(UTSP)	1	397581007T
C4209	C-CERA C	CK725B1H-102K1	1	332101025R1
C4211	C-CERA C	CK725F1E-104Z1	1	332161040R1
C4212	C-CERA C	CC725CH1H-151J1	1	342101514R1
C4213	C-CERA C	CC725CH1H-151J1	1	342101514R1
C4214	C-CERA C	CC725CH1H-151J1	1	342101514R1
C4219	C-CERA C	CK725F1E-104Z1	1	332161040R1
C4220	C-CERA C	CK725F1E-104Z1	1	332161040R1
C4221	C-CERA C	CK725F1E-104Z1	1	332161040R1
C4222	C-CERA C	CK725F1E-104Z1	1	332161040R1
C4223	C-CERA C	CK725F1E-104Z1	1	332161040R1
C4224	C-CERA C	CK725F1E-104Z1	1	332161040R1
C4229	C-CERA C	CK725F1E-104Z1	1	332161040R1
C4500	UTSP C	CE04W25V-220M(UTSP)	1	397552217T
C4502	UTSP C	CE04W25V-220M(UTSP)	1	397552217T

C4600	C-CERA C	CC725CH1H-101J1	1	342101014R1	
C4604	C-CERA C	CC725CH1H-101J1	1	342101014R1	
C4605	C-CERA C	CK725F1E-104Z1	1	332161040R1	
C4700	UTSP C	CE04W50V-1M(UTSP)	1	397580107T	
C4701	UTSP C	CE04W50V-1M(UTSP)	1	397580107T	
C4702	VR C	CE04W16V-100M(VR)	1	394641017T	
C4703	C-CERA C	CK725F1E-104Z1	1	332161040R1	
C4704	UTSP C	CE04W50V-1M(UTSP)	1	397580107T	
C4705	UTSP C	CE04W50V-1M(UTSP)	1	397580107T	
C4706	C-CERA C	CK725B1H-102K1	1	332101025R1	
R1	C-CARBON R	RN72K1J-334JE	1	435033344R1	<DC, DD>
R2	C-CARBON R	RN72K1J-334JE	1	435033344R1	<DC, DD>
R3	C-CARBON R	RN72K1J-273JE	1	435032734R1	<DC, DD>
R4	C-CARBON R	RN72K1J-220JE	1	435032204R1	<DC, DD>
R5	C-CARBON R	RN72K1J-220JE	1	435032204R1	<DC, DD>
R6	C-CARBON R	RN72K1J-104JE	1	435031044R1	<DC, DD>
R7	C-CARBON R	RN72K1J-104JE	1	435031044R1	<DC, DD>
R8	C-CARBON R	RN72K1J-104JE	1	435031044R1	<DC, DD>
R9	C-CARBON R	RN72K1J-104JE	1	435031044R1	<DC, DD>
R10	C-CARBON R	RN72K1J-104JE	1	435031044R1	<DC, DD>
R11	METAL O R	RS1/2WBJ-22	1	443522204T	<SR706>
R12	C-CARBON R	RN72K1J-104JE	1	435031044R1	<DC, DD>
R13	C-CARBON R	RN72K1J-222JE	1	435032224R1	<DC, DD>
R14	C-CARBON R	RN72K1J-222JE	1	435032224R1	<DC, DD>
R15	C-CARBON R	RN72K1J-102JE	1	435031024R1	<DC, DD>
R16	C-CARBON R	RN72K1J-102JE	1	435031024R1	<DC, DD>
R17	C-CARBON R	RN72K1J-104JE	1	435031044R1	<DC, DD>
R19	C-CARBON R	RN72K1J-222JE	1	435032224R1	<DC, DD>
R20	C-CARBON R	RN72K1J-332JE	1	435033324R1	<DC, DD>
R21	C-CARBON R	RN72K1J-101JE	1	435031014R1	<DC, DD>
R22	C-CARBON R	RN72K1J-101JE	1	435031014R1	<DC, DD>
R23	C-CARBON R	RN72K1J-331JE	1	435033314R1	<DC, DD>
R24	C-CARBON R	RN72K1J-332JE	1	435033324R1	<DC, DD>
R25	C-CARBON R	RN72K1J-331JE	1	435033314R1	<DC, DD>
R26	C-CARBON R	RN72K1J-222JE	1	435032224R1	<DC, DD>
R27	C-CARBON R	RN72K1J-331JE	1	435033314R1	<DC, DD>
R28	C-CARBON R	RN72K1J-104JE	1	435031044R1	<DC, DD>
R29	C-CARBON R	RN72K1J-101JE	1	435031014R1	<DC, DD>
R30	C-CARBON R	RN72K1J-222JE	1	435032224R1	<DC, DD>
R31	C-CARBON R	RN72K1J-222JE	1	435032224R1	<DC, DD>
R32	METAL O R	RS1/2WBJ-22	1	443522204T	<SR706>
R34	C-CARBON R	RN72K1J-104JE	1	435031044R1	<DC, DD>
R36	C-CARBON R	RN72K1J-103JE	1	435031034R1	<DC, DD>
R37	C-CARBON R	RN72K1J-105JE	1	435031054R1	<DC, DD>
R38	C-CARBON R	RN72K1J-103JE	1	435031034R1	<DC, DD>
R39	C-CARBON R	RN72K1J-220JE	1	435032204R1	<DC, DD>
R40	C-CARBON R	RN72K1J-681JE	1	435036814R1	<DC, DD>
R41	C-CARBON R	RN72K1J-220JE	1	435032204R1	<DC, DD>
R42	METAL O R	RS1/2WBJ-22	1	443522204T	<DC, DD>
R43	C-CARBON R	RN72K1J-000JE	1	435030004R1	<DC, DD>
R45	C-CARBON R	RN72K1J-392JE	1	435033924R1	<DT, MP, MA, MO, MQ, MT>
R46	C-CARBON R	RN72K1J-392JE	1	435033924R1	<DT, MP, MA, MO, MQ, MT>
R47	C-CARBON R	RN72K1J-222JE	1	435032224R1	<DT, MP, MA, MO, MQ, MT>

R48	C-CARBON R	RN72K1J-222JE	1	435032224R1	<DT, MP, MA, MO, MQ, MT>
R49	C-CARBON R	RN72K1J-103JE	1	435031034R1	<SR706>
R50	C-CARBON R	RN72K1J-103JE	1	435031034R1	<SR706>
R51	C-CARBON R	RN72K1J-103JE	1	435031034R1	<SR706>
R52	C-CARBON R	RN72K1J-103JE	1	435031034R1	<SR706>
R53	C-CARBON R	RN72K1J-103JE	1	435031034R1	<SR706>
R54	C-CARBON R	RN72K1J-103JE	1	435031034R1	<SR706>
R55	C-CARBON R	RN72K1J-103JE	1	435031034R1	<SR706>
R56	C-CARBON R	RN72K1J-103JE	1	435031034R1	<SR706>
R57	C-CARBON R	RN72K1J-103JE	1	435031034R1	<DC, DD>
R58	C-CARBON R	RN72K1J-103JE	1	435031034R1	<DC, DD>
R59	C-CARBON R	RN72K1J-103JE	1	435031034R1	<DC, DD>
R60	C-CARBON R	RN72K1J-103JE	1	435031034R1	<DC, DD>
R61	C-CARBON R	RN72K1J-103JE	1	435031034R1	<DC, DD>
R62	C-CARBON R	RN72K1J-103JE	1	435031034R1	<DC, DD>
R63	C-CARBON R	RN72K1J-103JE	1	435031034R1	<DC, DD>
R64	C-CARBON R	RN72K1J-103JE	1	435031034R1	<DC, DD>
R1001	C-CARBON R	RN72K1J-103JE	1	435031034R1	
R1002	C-CARBON R	RN72K1J-000JE	1	435030004R1	
R1003	C-CARBON R	RN72K1J-222JE	1	435032224R1	
R1004	C-CARBON R	RN72K1J-000JE	1	435030004R1	
R1005	C-CARBON R	RN72K1J-102JE	1	435031024R1	
R1006	C-CARBON R	RN72K1J-103JE	1	435031034R1	
R1007	C-CARBON R	RN72K1J-222JE	1	435032224R1	
R1008	C-CARBON R	RN72K1J-101JE	1	435031014R1	
R1009	C-CARBON R	RN72K1J-103JE	1	435031034R1	
R1010	C-CARBON R	RN72K1J-103JE	1	435031034R1	<DC, DD, SA706>
R1011	C-CARBON R	RN72K1J-102JE	1	435031024R1	
R1012	C-CARBON R	RN72K1J-470JE	1	435034704R1	
R1013	C-CARBON R	RN72K1J-470JE	1	435034704R1	
R1014	C-CARBON R	RN72K1J-470JE	1	435034704R1	
R1015	C-CARBON R	RN72K1J-470JE	1	435034704R1	
R1016	C-CARBON R	RN72K1J-470JE	1	435034704R1	
R1017	C-CARBON R	RN72K1J-470JE	1	435034704R1	
R1019	C-CARBON R	RN72K1J-470JE	1	435034704R1	
R1020	C-CARBON R	RN72K1J-470JE	1	435034704R1	
R1021	C-CARBON R	RN72K1J-221JE	1	435032214R1	
R1022	C-CARBON R	RN72K1J-470JE	1	435034704R1	
R1023	C-CARBON R	RN72K1J-470JE	1	435034704R1	
R1024	C-CARBON R	RN72K1J-221JE	1	435032214R1	
R1025	C-CARBON R	RN72K1J-221JE	1	435032214R1	
R1026	C-CARBON R	RN72K1J-224JE	1	435032244R1	
R1027	C-CARBON R	RN72K1J-103JE	1	435031034R1	
R1028	C-CARBON R	RN72K1J-470JE	1	435034704R1	
R1029	C-CARBON R	RN72K1J-470JE	1	435034704R1	
R1030	C-CARBON R	RN72K1J-221JE	1	435032214R1	
R1031	C-CARBON R	RN72K1J-221JE	1	435032214R1	
R1032	C-CARBON R	RN72K1J-221JE	1	435032214R1	
R1033	C-CARBON R	RN72K1J-470JE	1	435034704R1	
R1034	C-CARBON R	RN72K1J-470JE	1	435034704R1	
R1035	C-CARBON R	RN72K1J-103JE	1	435031034R1	
R1036	C-CARBON R	RN72K1J-222JE	1	435032224R1	
R1037	C-CARBON R	RN72K1J-103JE	1	435031034R1	

R1038	C-CARBON R	RN72K1J-103JE	1	435031034R1
R1039	C-CARBON R	RN72K1J-103JE	1	435031034R1
R1040	C-CARBON R	RN72K1J-103JE	1	435031034R1
R1041	C-CARBON R	RN72K1J-103JE	1	435031034R1
R1042	C-CARBON R	RN72K1J-103JE	1	435031034R1
R1043	C-CARBON R	RN72K1J-470JE	1	435034704R1
R1044	C-CARBON R	RN72K1J-470JE	1	435034704R1
R1045	C-CARBON R	RN72K1J-470JE	1	435034704R1
R1046	C-CARBON R	RN72K1J-103JE	1	435031034R1
R1047	C-CARBON R	RN72K1J-103JE	1	435031034R1
R1048	C-CARBON R	RN72K1J-103JE	1	435031034R1
R1049	C-CARBON R	RN72K1J-470JE	1	435034704R1
R1050	C-CARBON R	RN72K1J-221JE	1	435032214R1
R1051	C-CARBON R	RN72K1J-103JE	1	435031034R1
R1052	C-CARBON R	RN72K1J-103JE	1	435031034R1
R1053	C-CARBON R	RN72K1J-103JE	1	435031034R1
R1054	C-CARBON R	RN72K1J-103JE	1	435031034R1
R1055	C-CARBON R	RN72K1J-103JE	1	435031034R1
R1056	C-CARBON R	RN72K1J-103JE	1	435031034R1
R1057	C-CARBON R	RN72K1J-103JE	1	435031034R1
R1058	C-CARBON R	RN72K1J-103JE	1	435031034R1
R1059	C-CARBON R	RN72K1J-103JE	1	435031034R1
R1060	C-CARBON R	RN72K1J-103JE	1	435031034R1
R1061	C-CARBON R	RN72K1J-103JE	1	435031034R1
R1062	C-CARBON R	RN72K1J-470JE	1	435034704R1
R1063	C-CARBON R	RN72K1J-470JE	1	435034704R1
R1064	C-CARBON R	RN72K1J-221JE	1	435032214R1
R1065	C-CARBON R	RN72K1J-221JE	1	435032214R1
R1066	C-CARBON R	RN72K1J-470JE	1	435034704R1
R1067	C-CARBON R	RN72K1J-224JE	1	435032244R1
R1068	C-CARBON R	RN72K1J-273JE	1	435032734R1
R1069	C-CARBON R	RN72K1J-101JE	1	435031014R1
R1070	C-CARBON R	RN72K1J-103JE	1	435031034R1
R1071	C-CARBON R	RN72K1J-473JE	1	435034734R1
R1072	C-CARBON R	RN72K1J-473JE	1	435034734R1
R1073	C-CARBON R	RN72K1J-103JE	1	435031034R1
R1074	C-CARBON R	RN72K1J-473JE	1	435034734R1
R1075	C-CARBON R	RN72K1J-102JE	1	435031024R1
R1079	C-CARBON R	RN72K1J-103JE	1	435031034R1
R1080	C-CARBON R	RN72K1J-272JE	1	435032724R1
R1081	C-CARBON R	RN72K1J-272JE	1	435032724R1
R1082	C-CARBON R	RN72K1J-272JE	1	435032724R1
R1083	C-CARBON R	RN72K1J-221JE	1	435032214R1
R1084	C-CARBON R	RN72K1J-272JE	1	435032724R1
R1085	C-CARBON R	RN72K1J-221JE	1	435032214R1
R1086	C-CARBON R	RN72K1J-221JE	1	435032214R1
R1088	C-CARBON R	RN72K1J-470JE	1	435034704R1
R1089	C-CARBON R	RN72K1J-470JE	1	435034704R1
R1090	C-CARBON R	RN72K1J-470JE	1	435034704R1
R1091	C-CARBON R	RN72K1J-221JE	1	435032214R1
R1092	C-CARBON R	RN72K1J-221JE	1	435032214R1
R1093	C-CARBON R	RN72K1J-470JE	1	435034704R1
R1094	C-CARBON R	RN72K1J-221JE	1	435032214R1

R1095	C-CARBON R	RN72K1J-470JE	1	435034704R1
R1096	C-CARBON R	RN72K1J-000JE	1	435030004R1
R1097	C-CARBON R	RN72K1J-103JE	1	435031034R1
R1098	C-CARBON R	RN72K1J-000JE	1	435030004R1
R1100	C-CARBON R	RN72K1J-103JE	1	435031034R1
R1101	C-CARBON R	RN72K1J-221JE	1	435032214R1
R1102	C-CARBON R	RN72K1J-470JE	1	435034704R1
R1103	C-CARBON R	RN72K1J-222JE	1	435032224R1
R1104	C-CARBON R	RN72K1J-221JE	1	435032214R1
R1105	C-CARBON R	RN72K1J-470JE	1	435034704R1
R1106	C-CARBON R	RN72K1J-222JE	1	435032224R1
R1107	C-CARBON R	RN72K1J-470JE	1	435034704R1
R1108	C-CARBON R	RN72K1J-470JE	1	435034704R1
R1109	C-CARBON R	RN72K1J-470JE	1	435034704R1
R1110	C-CARBON R	RN72K1J-470JE	1	435034704R1
R1111	C-CARBON R	RN72K1J-470JE	1	435034704R1
R1112	C-CARBON R	RN72K1J-470JE	1	435034704R1
R1113	C-CARBON R	RN72K1J-470JE	1	435034704R1
R1114	C-CARBON R	RN72K1J-470JE	1	435034704R1
R1115	C-CARBON R	RN72K1J-470JE	1	435034704R1
R1116	C-CARBON R	RN72K1J-470JE	1	435034704R1
R1117	C-CARBON R	RN72K1J-470JE	1	435034704R1
R1118	C-CARBON R	RN72K1J-470JE	1	435034704R1
R1119	C-CARBON R	RN72K1J-470JE	1	435034704R1
R1120	C-CARBON R	RN72K1J-470JE	1	435034704R1
R1121	C-CARBON R	RN72K1J-221JE	1	435032214R1
R1122	C-CARBON R	RN72K1J-470JE	1	435034704R1
R1123	C-CARBON R	RN72K1J-221JE	1	435032214R1
R1124	C-CARBON R	RN72K1J-221JE	1	435032214R1
R1125	C-CARBON R	RN72K1J-103JE	1	435031034R1
R1126	C-CARBON R	RN72K1J-103JE	1	435031034R1
R1128	C-CARBON R	RN72K1J-470JE	1	435034704R1
R1129	C-CARBON R	RN72K1J-103JE	1	435031034R1
R1130	C-CARBON R	RN72K1J-473JE	1	435034734R1
R1131	C-CARBON R	RN72K1J-102JE	1	435031024R1
R1132	C-CARBON R	RN72K1J-470JE	1	435034704R1
R1133	C-CARBON R	RN72K1J-470JE	1	435034704R1
R1134	C-CARBON R	RN72K1J-470JE	1	435034704R1
R1135	C-CARBON R	RN72K1J-473JE	1	435034734R1
R1136	C-CARBON R	RN72K1J-102JE	1	435031024R1
R1137	C-CARBON R	RN72K1J-470JE	1	435034704R1
R1138	C-CARBON R	RN72K1J-102JE	1	435031024R1
R1139	C-CARBON R	RN72K1J-221JE	1	435032214R1
R1140	C-CARBON R	RN72K1J-102JE	1	435031024R1
R1141	C-CARBON R	RN72K1J-470JE	1	435034704R1
R1142	C-CARBON R	RN72K1J-221JE	1	435032214R1
R1143	C-CARBON R	RN72K1J-470JE	1	435034704R1
R1144	C-CARBON R	RN72K1J-221JE	1	435032214R1
R1145	C-CARBON R	RN72K1J-470JE	1	435034704R1
R1146	METAL R	RNU1/2WCJ-8.2	1	453530824T
R1147	METAL R	RNU1/2WCJ-8.2	1	453530824T
R1148	C-CARBON R	RN72K1J-221JE	1	435032214R1
R1149	C-CARBON R	RN72K1J-102JE	1	435031024R1

R1151	C-CARBON R	RN72K1J-473JE	1	435034734R1	
R1152	C-CARBON R	RN72K1J-000JE	1	435030004R1	
R1153	C-CARBON R	RN72K1J-000JE	1	435030004R1	
R1155	C-CARBON R	RN72K1J-000JE	1	435030004R1	
R1156	C-CARBON R	RN72K1J-000JE	1	435030004R1	
R1157	C-CARBON R	RN72K1J-103JE	1	435031034R1	
R1159	C-CARBON R	RN72K1J-103JE	1	435031034R1	<DT, MP, MA, MO, MQ, MT, SA706>
R1160	C-CARBON R	RN72K1J-000JE	1	435030004R1	<DC, DD, SA706>
R1161	C-CARBON R	RN72K1J-472JE	1	435034724R1	
R1162	C-CARBON R	RN72K1J-472JE	1	435034724R1	
R1164	C-CARBON R	RN72K1J-472JE	1	435034724R1	
R1165	C-CARBON R	RN72K1J-472JE	1	435034724R1	
R1166	C-CARBON R	RN72K1J-472JE	1	435034724R1	
R1167	C-CARBON R	RN72K1J-472JE	1	435034724R1	
R1168	C-CARBON R	RN72K1J-272JE	1	435032724R1	
R1170	C-CARBON R	RN72K1J-272JE	1	435032724R1	
R1171	C-CARBON R	RN72K1J-272JE	1	435032724R1	
R1172	C-CARBON R	RN72K1J-272JE	1	435032724R1	
R1173	C-CARBON R	RN72K1J-470JE	1	435034704R1	
R1174	C-CARBON R	RN72K1J-103JE	1	435031034R1	
R1175	C-CARBON R	RN72K1J-272JE	1	435032724R1	
R1176	C-CARBON R	RN72K1J-272JE	1	435032724R1	
R1177	C-CARBON R	RN72K1J-272JE	1	435032724R1	
R1178	C-CARBON R	RN72K1J-272JE	1	435032724R1	
R1180	C-CARBON R	RN72K1J-473JE	1	435034734R1	
R1182	C-CARBON R	RN72K1J-470JE	1	435034704R1	
R1183	C-CARBON R	RN72K1J-470JE	1	435034704R1	
R1184	C-CARBON R	RN72K1J-221JE	1	435032214R1	
R1185	C-CARBON R	RN72K1J-000JE	1	435030004R1	
R1186	C-CARBON R	RN72K1J-221JE	1	435032214R1	
R1187	C-CARBON R	RN72K1J-470JE	1	435034704R1	
R1188	C-CARBON R	RN72K1J-470JE	1	435034704R1	
R1189	C-CARBON R	RN72K1J-470JE	1	435034704R1	
R1190	C-CARBON R	RN72K1J-470JE	1	435034704R1	
R1191	C-CARBON R	RN72K1J-470JE	1	435034704R1	
R1192	C-CARBON R	RN72K1J-470JE	1	435034704R1	
R1193	C-CARBON R	RN72K1J-470JE	1	435034704R1	
R1194	C-CARBON R	RN72K1J-221JE	1	435032214R1	
R1195	C-CARBON R	RN72K1J-221JE	1	435032214R1	
R1196	C-CARBON R	RN72K1J-000JE	1	435030004R1	
R1197	C-CARBON R	RN72K1J-000JE	1	435030004R1	
R1198	C-CARBON R	RN72K1J-470JE	1	435034704R1	
R1199	C-CARBON R	RN72K1J-470JE	1	435034704R1	
R1200	C-CARBON R	RN72K1J-103JE	1	435031034R1	
R1201	C-CARBON R	RN72K1J-103JE	1	435031034R1	
R1202	C-CARBON R	RN72K1J-103JE	1	435031034R1	
R1203	C-CARBON R	RN72K1J-103JE	1	435031034R1	
R1204	C-CARBON R	RN72K1J-224JE	1	435032244R1	
R1205	C-CARBON R	RN72K1J-103JE	1	435031034R1	
R1206	C-CARBON R	RN72K1J-103JE	1	435031034R1	
R1207	C-CARBON R	RN72K1J-103JE	1	435031034R1	
R1208	C-CARBON R	RN72K1J-103JE	1	435031034R1	
R1209	C-CARBON R	RN72K1J-103JE	1	435031034R1	

R1210	C-CARBON R	RN72K1J-103JE	1	435031034R1	
R1211	C-CARBON R	RN72K1J-103JE	1	435031034R1	
R1212	C-CARBON R	RN72K1J-103JE	1	435031034R1	
R1213	C-CARBON R	RN72K1J-103JE	1	435031034R1	
R1214	C-CARBON R	RN72K1J-103JE	1	435031034R1	
R1215	C-CARBON R	RN72K1J-221JE	1	435032214R1	
R1216	C-CARBON R	RN72K1J-103JE	1	435031034R1	
R1217	C-CARBON R	RN72K1J-103JE	1	435031034R1	
R1218	C-CARBON R	RN72K1J-103JE	1	435031034R1	<DC, DD, SA706>
R1219	C-CARBON R	RN72K1J-103JE	1	435031034R1	
R1220	C-CARBON R	RN72K1J-103JE	1	435031034R1	
R1221	C-CARBON R	RN72K1J-470JE	1	435034704R1	
R1222	C-CARBON R	RN72K1J-470JE	1	435034704R1	
R1223	C-CARBON R	RN72K1J-473JE	1	435034734R1	
R1224	C-CARBON R	RN72K1J-470JE	1	435034704R1	
R1225	C-CARBON R	RN72K1J-103JE	1	435031034R1	
R1226	C-CARBON R	RN72K1J-103JE	1	435031034R1	
R1227	C-CARBON R	RN72K1J-470JE	1	435034704R1	
R1228	C-CARBON R	RN72K1J-470JE	1	435034704R1	
R1229	C-CARBON R	RN72K1J-470JE	1	435034704R1	
R1230	C-CARBON R	RN72K1J-221JE	1	435032214R1	
R1231	C-CARBON R	RN72K1J-103JE	1	435031034R1	
R1234	C-CARBON R	RN72K1J-470JE	1	435034704R1	
R1235	C-CARBON R	RN72K1J-103JE	1	435031034R1	
R1240	C-CARBON R	RN72K1J-103JE	1	435031034R1	
R1241	C-CARBON R	RN72K1J-272JE	1	435032724R1	
R1242	C-CARBON R	RN72K1J-103JE	1	435031034R1	
R1252	C-CARBON R	RN72K1J-470JE	1	435034704R1	
R1290	C-CARBON R	RN72K1J-103JE	1	435031034R1	
R1291	C-CARBON R	RN72K1J-104JE	1	435031044R1	
R1292	C-CARBON R	RN72K1J-103JE	1	435031034R1	
R1293	C-CARBON R	RN72K1J-473JE	1	435034734R1	
R1294	C-CARBON R	RN72K1J-473JE	1	435034734R1	
R1295	C-CARBON R	RN72K1J-473JE	1	435034734R1	
R1296	C-CARBON R	RN72K1J-473JE	1	435034734R1	
R1297	C-CARBON R	RN72K1J-473JE	1	435034734R1	
R1298	C-CARBON R	RN72K1J-473JE	1	435034734R1	
R1301	C-CARBON R	RN72K1J-104JE	1	435031044R1	
R1484	C-CARBON R	RN72K1J-221JE	1	435032214R1	
R1486	C-CARBON R	RN72K1J-100JE	1	435031004R1	
R1487	C-CARBON R	RN72K1J-750JE	1	435037504R1	
R1488	C-CARBON R	RN72K1J-224JE	1	435032244R1	
R1489	C-CARBON R	RN72K1J-101JE	1	435031014R1	
R1490	C-CARBON R	RN72K1J-750JE	1	435037504R1	
R1491	C-CARBON R	RN72K1J-224JE	1	435032244R1	
R1492	C-CARBON R	RN72K1J-100JE	1	435031004R1	
R1493	C-CARBON R	RN72K1J-470JE	1	435034704R1	
R1494	C-CARBON R	RN72K1J-101JE	1	435031014R1	
R1495	C-CARBON R	RN72K1J-100JE	1	435031004R1	
R1496	C-CARBON R	RN72K1J-750JE	1	435037504R1	
R1497	C-CARBON R	RN72K1J-224JE	1	435032244R1	
R1499	C-CARBON R	RN72K1J-392JE	1	435033924R1	
R1500	C-CARBON R	RN72K1J-392JE	1	435033924R1	

R1504	C-CARBON R	RN72K1J-221JE	1	435032214R1
R1506	C-CARBON R	RN72K1J-470JE	1	435034704R1
R1507	C-CARBON R	RN72K1J-152JE	1	435031524R1
R1508	C-CARBON R	RN72K1J-102JE	1	435031024R1
R1509	C-CARBON R	RN72K1J-331JE	1	435033314R1
R1510	C-CARBON R	RN72K1J-331JE	1	435033314R1
R1511	C-CARBON R	RN72K1J-102JE	1	435031024R1
R1512	C-CARBON R	RN72K1J-470JE	1	435034704R1
R1513	C-CARBON R	RN72K1J-331JE	1	435033314R1
R1514	C-CARBON R	RN72K1J-102JE	1	435031024R1
R1515	C-CARBON R	RN72K1J-331JE	1	435033314R1
R1517	C-CARBON R	RN72K1J-331JE	1	435033314R1
R1518	C-CARBON R	RN72K1J-331JE	1	435033314R1
R1519	C-CARBON R	RN72K1J-331JE	1	435033314R1
R1520	C-CARBON R	RN72K1J-470JE	1	435034704R1
R1521	C-CARBON R	RN72K1J-823JE	1	435038234R1
R1522	C-CARBON R	RN72K1J-103JE	1	435031034R1
R1523	C-CARBON R	RN72K1J-103JE	1	435031034R1
R1524	C-CARBON R	RN72K1J-823JE	1	435038234R1
R1525	C-CARBON R	RN72K1J-470JE	1	435034704R1
R1526	C-CARBON R	RN72K1J-470JE	1	435034704R1
R1527	C-CARBON R	RN72K1J-221JE	1	435032214R1
R1528	C-CARBON R	RN72K1J-470JE	1	435034704R1
R1529	C-CARBON R	RN72K1J-470JE	1	435034704R1
R1530	C-CARBON R	RN72K1J-470JE	1	435034704R1
R1531	C-CARBON R	RN72K1J-470JE	1	435034704R1
R1532	C-CARBON R	RN72K1J-103JE	1	435031034R1
R1534	C-CARBON R	RN72K1J-823JE	1	435038234R1
R1535	C-CARBON R	RN72K1J-105JE	1	435031054R1
R1537	C-CARBON R	RN72K1J-000JE	1	435030004R1
R1563	C-CARBON R	RN72K1J-471JE	1	435034714R1
R1564	C-CARBON R	RN72K1J-471JE	1	435034714R1
R1565	C-CARBON R	RN72K1J-471JE	1	435034714R1
R1566	C-CARBON R	RN72K1J-471JE	1	435034714R1
R1567	C-CARBON R	RN72K1J-221JE	1	435032214R1
R1568	C-CARBON R	RN72K1J-471JE	1	435034714R1
R1569	C-CARBON R	RN72K1J-471JE	1	435034714R1
R1570	C-CARBON R	RN72K1J-471JE	1	435034714R1
R1571	C-CARBON R	RN72K1J-471JE	1	435034714R1
R1572	C-CARBON R	RN72K1J-471JE	1	435034714R1
R1573	C-CARBON R	RN72K1J-471JE	1	435034714R1
R1574	C-CARBON R	RN72K1J-471JE	1	435034714R1
R1575	C-CARBON R	RN72K1J-331JE	1	435033314R1
R1576	C-CARBON R	RN72K1J-471JE	1	435034714R1
R1577	C-CARBON R	RN72K1J-331JE	1	435033314R1
R1578	C-CARBON R	RN72K1J-471JE	1	435034714R1
R1579	C-CARBON R	RN72K1J-331JE	1	435033314R1
R1580	C-CARBON R	RN72K1J-471JE	1	435034714R1
R1581	C-CARBON R	RN72K1J-331JE	1	435033314R1
R1582	C-CARBON R	RN72K1J-471JE	1	435034714R1
R1600	C-CARBON R	RN72K1J-182JE	1	435031824R1
R1601	C-CARBON R	RN72K1J-182JE	1	435031824R1
R1602	C-CARBON R	RN72K1J-182JE	1	435031824R1

R1670	C-CARBON R	RN72K1J-181JE	1	435031814R1	
R1671	C-CARBON R	RN72K1J-181JE	1	435031814R1	
R1672	C-CARBON R	RN72K1J-181JE	1	435031814R1	
R1673	C-CARBON R	RN72K1J-181JE	1	435031814R1	
R1674	C-CARBON R	RN72K1J-181JE	1	435031814R1	
R1675	C-CARBON R	RN72K1J-181JE	1	435031814R1	
R1676	C-CARBON R	RN72K1J-181JE	1	435031814R1	
R1677	C-CARBON R	RN72K1J-181JE	1	435031814R1	
R1770	C-CARBON R	RN72K1J-000JE	1	435030004R1	
R1771	C-CARBON R	RN72K1J-000JE	1	435030004R1	
R1772	C-CARBON R	RN72K1J-000JE	1	435030004R1	
R1773	C-CARBON R	RN72K1J-000JE	1	435030004R1	
R1774	C-CARBON R	RN72K1J-000JE	1	435030004R1	
R1775	C-CARBON R	RN72K1J-000JE	1	435030004R1	
R1776	C-CARBON R	RN72K1J-000JE	1	435030004R1	
R1777	C-CARBON R	RN72K1J-000JE	1	435030004R1	
R1780	METAL O R	RS1/2WBJ-22	1	443522204T	
R1781	METAL O R	RS1/2WBJ-22	1	443522204T	
R1782	METAL O R	RS2WBJ-3.3	1	441720334F	
R1783	METAL O R	RS2WBJ-4.7	1	441720474F	
R1900	C-CARBON R	RN72K1J-560JE	1	435035604R1	
R1901	C-CARBON R	RN72K1J-560JE	1	435035604R1	
R1910	C-CARBON R	RN72K1J-560JE	1	435035604R1	
R1911	C-CARBON R	RN72K1J-560JE	1	435035604R1	
R1920	C-CARBON R	RN72K1J-103JE	1	435031034R1	
R1921	C-CARBON R	RN72K1J-103JE	1	435031034R1	
R1930	C-CARBON R	RN72K1J-103JE	1	435031034R1	
R1931	C-CARBON R	RN72K1J-103JE	1	435031034R1	
R1940	C-CARBON R	RN72K1J-103JE	1	435031034R1	
R1941	C-CARBON R	RN72K1J-103JE	1	435031034R1	
R1950	C-CARBON R	RN72K1J-103JE	1	435031034R1	
R1951	C-CARBON R	RN72K1J-103JE	1	435031034R1	
R1960	C-CARBON R	RN72K1J-103JE	1	435031034R1	
R1961	C-CARBON R	RN72K1J-103JE	1	435031034R1	
R1964	C-CARBON R	RN72K1J-222JE	1	435032224R1	
R1965	C-CARBON R	RN72K1J-102JE	1	435031024R1	
R4000	METAL R	RNU1/2WCJ-4.7	1	453530474T	
R4001	C-CARBON R	RN72K1J-682JE	1	435036824R1	
R4002	METAL R	RNU1WCJ-0.22	1	453632294T	
R4003	METAL R	RNU1/2WCJ-0.47	1	453534794T	
R4004	C-CARBON R	RN72K1J-562JE	1	435035624R1	
R4005	C-CARBON R	RN72K1J-152JE	1	435031524R1	
R4006	C-CARBON R	RN72K1J-102JE	1	435031024R1	
R4007	C-CARBON R	RN72K1J-392JE	1	435033924R1	
R4017	C-CARBON R	RN72K1J-562JE	1	435035624R1	<DC, DD>
R4018	C-CARBON R	RN72K1J-563JE	1	435035634R1	<DC, DD>
R4019	C-CARBON R	RN72K1J-102JE	1	435031024R1	<DC, DD>
R4020	C-CARBON R	RN72K1J-392JE	1	435033924R1	<DC, DD>
R4021	METAL R	RNU1/2WCJ-0.22	1	453532294T	<DC, DD>
R4022	METAL O R	RS2WBJ-3.3	1	441720334F	
R4024	C-CARBON R	RN72K1J-470JE	1	435034704R1	
R4105	C-CARBON R	RN72K1J-000JE	1	435030004R1	
R4106	C-CARBON R	RN72K1J-000JE	1	435030004R1	

R4107	C-CARBON R	RN72K1J-000JE	1	435030004R1
R4108	C-CARBON R	RN72K1J-330JE	1	435033304R1
R4110	C-CARBON R	RN72K1J-750JE	1	435037504R1
R4111	C-CARBON R	RN72K1J-272JE	1	435032724R1
R4112	C-CARBON R	RN72K1J-750JE	1	435037504R1
R4113	C-CARBON R	RN72K1J-272JE	1	435032724R1
R4114	C-CARBON R	RN72K1J-000JE	1	435030004R1
R4115	C-CARBON R	RN72K1J-750JE	1	435037504R1
R4116	C-CARBON R	RN72K1J-000JE	1	435030004R1
R4117	C-CARBON R	RN72K1J-750JE	1	435037504R1
R4118	C-CARBON R	RN72K1J-000JE	1	435030004R1
R4119	C-CARBON R	RN72K2E-022JE	1	435220224R1
R4120	C-CARBON R	RN72K1J-750JE	1	435037504R1
R4121	C-CARBON R	RN72K1J-750JE	1	435037504R1
R4122	C-CARBON R	RN72K1J-750JE	1	435037504R1
R4123	C-CARBON R	RN72K1J-104JE	1	435031044R1
R4124	C-CARBON R	RN72K1J-750JE	1	435037504R1
R4125	C-CARBON R	RN72K1J-104JE	1	435031044R1
R4126	C-CARBON R	RN72K1J-750JE	1	435037504R1
R4127	C-CARBON R	RN72K1J-104JE	1	435031044R1
R4130	C-CARBON R	RN72K2E-022JE	1	435220224R1
R4135	C-CARBON R	RN72K1J-750JE	1	435037504R1
R4136	C-CARBON R	RN72K1J-750JE	1	435037504R1
R4137	C-CARBON R	RN72K1J-750JE	1	435037504R1
R4139	C-CARBON R	RN72K1J-750JE	1	435037504R1
R4140	C-CARBON R	RN72K1J-750JE	1	435037504R1
R4141	C-CARBON R	RN72K1J-750JE	1	435037504R1
R4142	C-CARBON R	RN72K1J-750JE	1	435037504R1
R4143	C-CARBON R	RN72K1J-750JE	1	435037504R1
R4144	C-CARBON R	RN72K1J-750JE	1	435037504R1
R4145	C-CARBON R	RN72K1J-104JE	1	435031044R1
R4146	C-CARBON R	RN72K1J-104JE	1	435031044R1
R4147	C-CARBON R	RN72K1J-104JE	1	435031044R1
R4149	C-CARBON R	RN72K1J-750JE	1	435037504R1
R4150	C-CARBON R	RN72K1J-750JE	1	435037504R1
R4151	C-CARBON R	RN72K1J-750JE	1	435037504R1
R4155	C-CARBON R	RN72K1J-750JE	1	435037504R1
R4156	C-CARBON R	RN72K1J-750JE	1	435037504R1
R4157	C-CARBON R	RN72K1J-750JE	1	435037504R1
R4159	C-CARBON R	RN72K1J-750JE	1	435037504R1
R4161	C-CARBON R	RN72K1J-750JE	1	435037504R1
R4162	C-CARBON R	RN72K1J-750JE	1	435037504R1
R4163	C-CARBON R	RN72K1J-104JE	1	435031044R1
R4164	C-CARBON R	RN72K1J-104JE	1	435031044R1
R4165	C-CARBON R	RN72K1J-104JE	1	435031044R1
R4171	C-CARBON R	RN72K2E-022JE	1	435220224R1
R4175	C-CARBON R	RN72K1J-750JE	1	435037504R1
R4176	C-CARBON R	RN72K1J-750JE	1	435037504R1
R4177	C-CARBON R	RN72K1J-750JE	1	435037504R1
R4181	C-CARBON R	RN72K1J-750JE	1	435037504R1
R4182	C-CARBON R	RN72K1J-750JE	1	435037504R1
R4183	C-CARBON R	RN72K1J-750JE	1	435037504R1
R4184	C-CARBON R	RN72K1J-750JE	1	435037504R1

R4185	C-CARBON R	RN72K1J-750JE	1	435037504R1	
R4186	C-CARBON R	RN72K1J-750JE	1	435037504R1	
R4190	C-CARBON R	RN72K1J-000JE	1	435030004R1	
R4191	C-CARBON R	RN72K1J-000JE	1	435030004R1	
R4192	C-CARBON R	RN72K1J-000JE	1	435030004R1	
R4505	C-CARBON R	RN72K1J-223JE	1	435032234R1	
R4506	C-CARBON R	RN72K1J-122JE	1	435031224R1	
R4507	C-CARBON R	RN72K1J-473JE	1	435034734R1	
R4508	C-CARBON R	RN72K1J-182JE	1	435031824R1	
R4509	C-CARBON R	RN72K1J-331JE	1	435033314R1	
R4510	C-CARBON R	RN72K1J-562JE	1	435035624R1	
R4511	METAL R	RNU1WCJ-1	1	453630104T	
R4607	C-CARBON R	RN72K1J-039JE	1	435030394R1	
R4608	C-CARBON R	RN72K1J-101JE	1	435031014R1	
R4609	C-CARBON R	RN72K1J-000JE	1	435030004R1	
R4610	C-CARBON R	RN72K1J-224JE	1	435032244R1	
R4611	C-CARBON R	RN72K1J-000JE	1	435030004R1	
R4613	C-CARBON R	RN72K1J-102JE	1	435031024R1	
R4615	C-CARBON R	RN72K1J-000JE	1	435030004R1	
R4616	C-CARBON R	RN72K1J-000JE	1	435030004R1	
R4700	C-CARBON R	RN72K1J-103JE	1	435031034R1	
R4701	C-CARBON R	RN72K1J-103JE	1	435031034R1	
R4702	C-CARBON R	RN72K1J-331JE	1	435033314R1	
R4703	C-CARBON R	RN72K1J-331JE	1	435033314R1	
R4704	C-CARBON R	RN72K1J-103JE	1	435031034R1	
R4706	C-CARBON R	RN72K1J-331JE	1	435033314R1	
R4708	C-CARBON R	RN72K1J-331JE	1	435033314R1	
E1A	TRM	NTM-1P233(M1969)	1	25060302	<SR706>
E1B	TRM	NTM-1P232(M1700)	1	25060301	<SR706>
E2	TRM(SCREW)	NEJITANSI M3	1	25065425	<SR706>
F4000A	FUSE HOL	NSCT-1P2031	1	25052133T	!
F4000B	FUSE HOL	NSCT-1P2031	1	25052133T	!
F4001A	FUSE HOL	NSCT-1P2031	1	25052133T	!
F4001B	FUSE HOL	NSCT-1P2031	1	25052133T	!
JL8002A	WIRE HOL	NSCT-5P876	1	25051089	
JL901B	WIRE TRAP	NPLG-5P588	1	25055626	
P4	SOCKET	CAM-C16	1	25053104R2	<DC, DD>
P4A	RETAINER	(XM)	1	27142048	<DC, DD>
P8	SOCKET	YKF51-5397N	1	25053201	<DC, DD>
P1002A	SOCKET	NSCT-9P2427	1	25052530	
P1003A	SOCKET	IMSA-9142S-14A	1	25053229	
P1004A	PLUG	IMSA-9111B-24	1	25056625	
P1005A	SOCKET	IMSA-9142S-20A	1	25053232	
P1007A	SOCKET	NSCT-40P2133	1	25052236	
P102A	PLUG	NPLG-7P0962	1	25056012	<SR706>
P102B	SOCKET	NSCT-7P2187	1	25052290	<SR706>
P103A	PLUG	NPLG-11P0966	1	25056016	<DC, DD>
P103B	SOCKET	NSCT-11P2191	1	25052294	<DC, DD>
P104A	PLUG	NPLG-13P0968	1	25056018	<SR706>
P106B	SOCKET	NSCT-13P2143	1	25052246	<SR706>
P1307	TRM(SCREW)	NEJITANSI M3	1	25065425	
P1308	JACK	YKB21-5130	1	25045387	
P1309	PIN JACK	NPJ-3PDO656	1	25045884	

P1309 or	PIN JACK	NPJ-3PDO465	(1)	25045666
P4000B	PLUG	NPLG-5P119	1	25055135
P4100A	PLUG	IMSA-9142B-14A	1	25056597
P4100B	SOCKET	IMSA-9142S-14A	1	25053229
P4101A	PLUG	IMSA-9142B-16A	1	25056598
P4101B	SOCKET	IMSA-9142S-16A	1	25053230
P4102A	SOCKET	NSCT-17P2110	1	25052213
P4102B	SOCKET	NSCT-17P2110	1	25052213
P4104A	SOCKET	NSCT-11P2104	1	25052207
P4110	PIN JACK	NPJ-9PDGLRGLRGLR563	1	25045781
P4110 or	PIN JACK	NPJ-9PDGLR519	(1)	25045731
P4112	PIN JACK	NPJ-10PDBY621	1	25045842
P4112 or	PIN JACK	NPJ-10PDBY478	(1)	25045681
P4113	PIN JACK	NPJ-10PDBY621	1	25045842
P4113 or	PIN JACK	NPJ-10PDBY478	(1)	25045681
P4114	PIN JACK	NPJ-10PDBY621	1	25045842
P4114 or	PIN JACK	NPJ-10PDBY478	(1)	25045681
P4501	PLUG	NPLG-2P83	1	25055099
P4602	ST JACK	HSJ1002-01-6020	1	25045647
P4700	SOCKET	7906-09FHA	1	25053103
P4701	RETAINER	(JOINT)	1	27142069
P5512A	PLUG	NPLG-11P0966	1	25056016
P5513A	PLUG	NPLG-15P0970	1	25056020
P5518A	PLUG	NPLG-3P0958	1	25056008
P6621B	SOCKET	NSCT-13P2193	1	25052296

TX-SR706/SA706

PC BOARD PARTS LIST

U20 HDMI PC BOARD(NAHDM-9562-1A)

CIRCUIT NO.	PART NAME	DESCRIPTION	Q'TY	PART NO. (SN)	REMARKS
Q205	IC	TC74VHC541FT(EKJ)	1	22274541E1R2TO	
Q3311	IC	TC74VHC157FT	1	22274157ER2TO	
Q3325	IC	TC74VHC157FT	1	22274157ER2TO	
Q3401	IC	D790E001BZDH300	1	---	NRP
Q3451	IC(DSP1 MEMORY)	S29AL016D70TFI010(02726)	1	222W0063R302726	
Q3451 or	IC(DSP1 MEMORY)	ES29LV160ET-70TG(02726)	(1)	222W0069R302726	
Q3461	IC	IS42S32200E-6TL	1	22242553R3	
Q3481	IC	TC7WU04FU(TE12L_F)	1	22240935R2	
Q3491	IC	TC74VHC541FT(EKJ)	1	22274541E1R2TO	
Q3501	IC	D790E001BZDH300	1	---	NRP
Q3551	IC(DSP2 MEMORY)	S29AL008D70TFI010(02737)	1	222W0062R302737	
Q3551 or	IC(DSP2 MEMORY)	ES29LV800ET-70TG(02737)	(1)	222W0068R302737	
Q3561	IC	IS42S32200E-6TL	1	22242553R3	
Q7202	IC	BD7820	1	22242300R2	
Q7302	IC	BD7820	1	22242300R2	
Q8000	IC	HY5DU561622ETP-4-C	1	22242450R3	
Q8000 or	IC	HY5DU561622FTP-4-C	(1)	22242577R3	
Q8001	IC	HY5DU561622ETP-4-C	1	22242450R3	
Q8001 or	IC	HY5DU561622FTP-4-C	(1)	22242577R3	
Q8005	IC(VIDEO MEMORY)	MX29LV320CTTC-70G(0264A)	1	222W0052R30264A	

Q8023	IC	TA48033AF(TE16L_NQ)	1	22278033DR2TO	
Q8023 or	IC	TA48033BF(TE16L_NQ)	(1)	22278033DBR2TO	
Q8041	IC	TA48018AF(TE16L_NQ)	1	22278018DR2TO	
Q8090	TR	RN2402	1	2214530R2	
Q8090 or	TR	KRA102S	(1)	2216220R2	
Q8091	TR	2SA1162-GR	1	2214375R2	
Q8094	TR	RN2402	1	2214530R2	
Q8094 or	TR	KRA102S	(1)	2216220R2	
Q8095	TR	2SA1162-GR	1	2214375R2	
Q8097	IC	74HC112(TC74HC112AF)	1	222741125R2TO	
Q8161	IC	TA48018AF(TE16L_NQ)	1	22278018DR2TO	
Q8162	IC	SI19185ACTU	1	22242471R3	
Q8200	IC	FLI30336	1	---	NRP
Q8201	IC	24LC32A-I/SN	1	22242521R2	
Q8201 or	IC	BR24S32FJ-WE2	(1)	22242569R2	
Q8305	IC	S-812C50BUC-C5ET2G	1	22242407R2	
Q8306	IC	NC7SZ08P5X_F042	1	22242482R2	
Q8306 or	IC	TC7SZ08FU(TE85L_F)	(1)	22242071R2TO	
Q8309	TR ARRAY	UM6K1N	1	226066R2	
Q8401	IC	SI19134CTU	1	22242394R3	
Q8404	IC	XC6213B182MR	1	22242443R2	
Q8405	IC	SN74CB3Q3305PWR	1	22242258R2	
Q8501	IC	SI19135CTU	1	---	NRP
Q8501 or	IC	SI19135ACTU	(1)	---	NRP
Q8595	IC	TA48018AF(TE16L_NQ)	1	22278018DR2TO	
Q8604	TR	DTA144EE	1	2216380R2	
Q8604 or	TR	KRA304E	(1)	2216440R2	
Q8606	TR	DTC144EE	1	2216390R2	
Q8606 or	TR	KRC404E	(1)	2216450R2	
Q8607	TR	2SK3019	1	2216520R2	
Q8608	IC	SN74CB3T3306DCT	1	22242454R2	
Q8609	TR	DTC144EE	1	2216390R2	
Q8609 or	TR	KRC404E	(1)	2216450R2	
Q8610	IC	S-24CS02AFT-V-G	1	22242360R2	
Q8651	IC	TA48018AF(TE16L_NQ)	1	22278018DR2TO	
Q8652	IC	XC6213B332MR	1	22242277R2	
Q8653	IC	TA48033AF(TE16L_NQ)	1	22278033DR2TO	
Q8653 or	IC	TA48033BF(TE16L_NQ)	(1)	22278033DBR2TO	
Q8654	IC	TA48018AF(TE16L_NQ)	1	22278018DR2TO	
Q8813	IC	TC74VCX162827	1	22242395R2	
Q8814	IC	TC74VCX162827	1	22242395R2	
Q8817	IC	TC74VCX162827	1	22242395R2	
Q8818	IC	TC74VCX162827	1	22242395R2	
Q8902	IC	TA48033AF(TE16L_NQ)	1	22278033DR2TO	
Q8902 or	IC	TA48033BF(TE16L_NQ)	(1)	22278033DBR2TO	
Q8952	IC	SPI-8010A	1	22242437R2	
Q8953	IC	SPI-8010A	1	22242437R2	
Q8954	IC	SPI-8010A	1	22242437R2	
Q8957	TR	DTC144EE	1	2216390R2	
Q8957 or	TR	KRC404E	(1)	2216450R2	
Q8958	TR	DTC144EE	1	2216390R2	
Q8958 or	TR	KRC404E	(1)	2216450R2	
Q8963	TR	DTC144EE	1	2216390R2	

Q8963 or	TR	KRC404E	(1)	2216450R2
Q8964	TR	DTC144EE	1	2216390R2
Q8964 or	TR	KRC404E	(1)	2216450R2
D4100	C-DIODE	1SS352	1	223234R2
D4100 or	C-DIODE	KDS4148U	(1)	223283R2
D4100 or	C-DIODE	MA2J111	(1)	223279R2
D7205	C-DIODE	1SS352	1	223234R2
D7205 or	C-DIODE	KDS4148U	(1)	223283R2
D7205 or	C-DIODE	MA2J111	(1)	223279R2
D8041	DIODE	RB070M-30	1	22380361R2
D8090	C-DIODE	1SS352	1	223234R2
D8090 or	C-DIODE	KDS4148U	(1)	223283R2
D8090 or	C-DIODE	MA2J111	(1)	223279R2
D8091	C-DIODE	1SS352	1	223234R2
D8091 or	C-DIODE	KDS4148U	(1)	223283R2
D8091 or	C-DIODE	MA2J111	(1)	223279R2
D8095	C-DIODE	1SS352	1	223234R2
D8095 or	C-DIODE	KDS4148U	(1)	223283R2
D8095 or	C-DIODE	MA2J111	(1)	223279R2
D8096	C-DIODE	1SS352	1	223234R2
D8096 or	C-DIODE	KDS4148U	(1)	223283R2
D8096 or	C-DIODE	MA2J111	(1)	223279R2
D8301	C-DIODE	1SS226(TE85L_F)	1	223266R2
D8302	C-DIODE	1SS352	1	223234R2
D8302 or	C-DIODE	KDS4148U	(1)	223283R2
D8302 or	C-DIODE	MA2J111	(1)	223279R2
D8601	ZENER D	UDZS3.6B	1	224550360R2
D8952	DIODE	RSX501L-20	1	22380359R2
D8953	DIODE	RSX501L-20	1	22380359R2
D8954	DIODE	RSX501L-20	1	22380359R2
D8958	C-DIODE	1SS352	1	223234R2
D8958 or	C-DIODE	KDS4148U	(1)	223283R2
D8958 or	C-DIODE	MA2J111	(1)	223279R2
X3481	CRYSTAL	HC-49USSMD25.00MHz	1	3010444R2
X8200	CRYSTAL	HC-49USSMD19.6608M	1	3010458R2
X8501	CRYSTAL	HC-49-28.332MHz	1	3010417R2
L251	CHOKE COIL	BLM21PG221SN1	1	230949R2
L261	EMIFIL	BK1608LL241-T	1	230959R1
L3301	CHOKE COIL	LBC2518T470M	1	231364M470R2
L3311	EMIFIL	BK1608LM182-T	1	230958R1
L3312	EMIFIL	BK1608LM182-T	1	230958R1
L3401	EMIFIL	ACF451832-333-T	1	230978R2
L3402	CHOKE COIL	BLM21PG221SN1	1	230949R2
L3403	CHOKE COIL	LBC2518T47M	1	231364M047R2
L3451	CHOKE COIL	BLM21PG221SN1	1	230949R2
L3481	EMIFIL	BK1608LM182-T	1	230958R1
L3482	EMIFIL	BK1608LM182-T	1	230958R1
L3483	CHOKE COIL	LBC2518T470M	1	231364M470R2
L3491	CHOKE COIL	LBC2518T470M	1	231364M470R2
L3501	EMIFIL	ACF451832-333-T	1	230978R2
L3502	CHOKE COIL	BLM21PG221SN1	1	230949R2
L3503	CHOKE COIL	LBC2518T47M	1	231364M047R2
L3551	CHOKE COIL	BLM21PG221SN1	1	230949R2

L3552	EMIFIL	BK1608LM182-T	1	230958R1
L8021	CHOKE COIL	BLM21PG221SN1	1	230949R2
L8022	CHOKE COIL	BLM21PG221SN1	1	230949R2
L8023	CHOKE COIL	BLM21PG221SN1	1	230949R2
L8024	CHOKE COIL	BLM21PG221SN1	1	230949R2
L8025	CHOKE COIL	BLM21PG221SN1	1	230949R2
L8026	CHOKE COIL	BLM21PG221SN1	1	230949R2
L8027	CHOKE COIL	BLM21PG221SN1	1	230949R2
L8041	CHOKE COIL	BLM21PG221SN1	1	230949R2
L8042	CHOKE COIL	BLM21PG221SN1	1	230949R2
L8043	CHOKE COIL	BLM21PG221SN1	1	230949R2
L8090	CHOKE COIL	LBC2518T4R7M	1	231364M047R2
L8094	CHOKE COIL	LBC2518T4R7M	1	231364M047R2
L8161	CHOKE COIL	BLM21PG221SN1	1	230949R2
L8162	CHOKE COIL	BLM21PG221SN1	1	230949R2
L8163	CHOKE COIL	BLM21PG221SN1	1	230949R2
L8401	CHOKE COIL	BLM21PG221SN1	1	230949R2
L8402	CHOKE COIL	BLM21PG221SN1	1	230949R2
L8403	CHOKE COIL	BLM21PG221SN1	1	230949R2
L8404	CHOKE COIL	BLM21PG221SN1	1	230949R2
L8405	CHOKE COIL	BLM21PG221SN1	1	230949R2
L8406	C-R NET	MNR12E0APJ000	1	43464900002R2
L8407	C-R NET	MNR12E0APJ000	1	43464900002R2
L8408	CHOKE COIL	BLM21PG221SN1	1	230949R2
L8409	C-R NET	MNR12E0APJ000	1	43464900002R2
L8410	C-R NET	MNR12E0APJ000	1	43464900002R2
L8601	CHOKE COIL	BLM21PG221SN1	1	230949R2
L8602	CHOKE COIL	BLM21PG221SN1	1	230949R2
L8603	CHOKE COIL	BLM21PG221SN1	1	230949R2
L8604	CHOKE COIL	BLM21PG221SN1	1	230949R2
L8605	CHOKE COIL	BLM21PG221SN1	1	230949R2
L8606	CHOKE COIL	BLM21PG221SN1	1	230949R2
L8607	CHOKE COIL	BLM21PG221SN1	1	230949R2
L8608	EMIFIL	BK1608LL241-T	1	230959R1
L8813	C-CARBON R	RN72K1J-000JE	1	435030004R1
L8814	C-CARBON R	RN72K1J-000JE	1	435030004R1
L8952	CHOKE COIL	RCP1317NP470M	1	231375M470
L8953	CHOKE COIL	RCP1317NP470M	1	231375M470
L8954	CHOKE COIL	RCP1317NP470M	1	231375M470
L8956	CHOKE COIL	BLM21PG221SN1	1	230949R2
L8957	CHOKE COIL	BLM21PG221SN1	1	230949R2
L8958	CHOKE COIL	BLM21PG221SN1	1	230949R2
L8960	CHOKE COIL	BLM21PG221SN1	1	230949R2
L8961	CHOKE COIL	BLM21PG221SN1	1	230949R2
L8962	CHOKE COIL	BLM21PG221SN1	1	230949R2
L8963	CHOKE COIL	BLM21PG221SN1	1	230949R2
L8964	CHOKE COIL	BLM21PG221SN1	1	230949R2
L8965	CHOKE COIL	BLM21PG221SN1	1	230949R2
C251	C-CERA C	CK725F1E-104Z1	1	332161040R1
C3302	CHIP ELECT C	CEWX4V-100M	1	3981G1017R2
C3311	C-CERA C	CK725F1E-104Z1	1	332161040R1
C3312	C-CERA C	CK725F1E-104Z1	1	332161040R1
C3401	C-CERA C	CC725CH1H-101J1	1	342101014R1

C3402	CHIP ELECT C	CEWX4V-100M	1	3981G1017R2
C3403	C-CERA C	CK725F1E-104Z1	1	332161040R1
C3405	CHIP ELECT C	CEWX4V-220M	1	3981G2217R2
C3411	C-CERA C	CK725F1E-104Z1	1	332161040R1
C3412	C-CERA C	CK725F1E-104Z1	1	332161040R1
C3413	C-CERA C	CK725F1E-104Z1	1	332161040R1
C3414	C-CERA C	CK725F1E-104Z1	1	332161040R1
C3415	C-CERA C	CK725F1E-104Z1	1	332161040R1
C3416	C-CERA C	CK725F1E-104Z1	1	332161040R1
C3417	C-CERA C	CK725F1E-104Z1	1	332161040R1
C3418	C-CERA C	CK725F1E-104Z1	1	332161040R1
C3419	C-CERA C	CK725F1E-104Z1	1	332161040R1
C3420	C-CERA C	CK725F1E-104Z1	1	332161040R1
C3421	C-CERA C	CK725F1E-104Z1	1	332161040R1
C3425	C-CERA C	CK725F1E-104Z1	1	332161040R1
C3426	C-CERA C	CK725F1E-104Z1	1	332161040R1
C3427	C-CERA C	CK725F1E-104Z1	1	332161040R1
C3428	C-CERA C	CK725F1E-104Z1	1	332161040R1
C3429	C-CERA C	CK725F1E-104Z1	1	332161040R1
C3430	C-CERA C	CK725F1E-104Z1	1	332161040R1
C3431	C-CERA C	CK725F1E-104Z1	1	332161040R1
C3432	C-CERA C	CK725F1E-104Z1	1	332161040R1
C3433	C-CERA C	CK725F1E-104Z1	1	332161040R1
C3434	C-CERA C	CK725F1E-104Z1	1	332161040R1
C3435	C-CERA C	CK725F1E-104Z1	1	332161040R1
C3451	C-CERA C	CC725CH1H-101J1	1	342101014R1
C3452	C-CERA C	CK725F1E-104Z1	1	332161040R1
C3461	C-CERA C	CK725F1E-104Z1	1	332161040R1
C3462	C-CERA C	CK725F1E-104Z1	1	332161040R1
C3463	C-CERA C	CK725F1E-104Z1	1	332161040R1
C3464	C-CERA C	CK725F1E-104Z1	1	332161040R1
C3465	C-CERA C	CK725F1E-104Z1	1	332161040R1
C3466	C-CERA C	CK725F1E-104Z1	1	332161040R1
C3471	C-CERA C	CK725F1E-104Z1	1	332161040R1
C3472	C-CERA C	CK725F1E-104Z1	1	332161040R1
C3473	C-CERA C	CK725F1E-104Z1	1	332161040R1
C3474	C-CERA C	CK725F1E-104Z1	1	332161040R1
C3475	C-CERA C	CK725F1E-104Z1	1	332161040R1
C3476	C-CERA C	CK725F1E-104Z1	1	332161040R1
C3477	CHIP ELECT C	CEWX4V-220M	1	3981G2217R2
C3481	C-CERA C	CC725CH1H-090D1	1	342100902R1
C3482	C-CERA C	CC725CH1H-090D1	1	342100902R1
C3483	C-CERA C	CK725F1E-104Z1	1	332161040R1
C3484	CHIP ELECT C	CEWX4V-220M	1	3981G2217R2
C3491	C-CERA C	CK725F1E-104Z1	1	332161040R1
C3501	C-CERA C	CC725CH1H-101J1	1	342101014R1
C3502	CHIP ELECT C	CEWX4V-100M	1	3981G1017R2
C3503	C-CERA C	CK725F1E-104Z1	1	332161040R1
C3505	CHIP ELECT C	CEWX4V-220M	1	3981G2217R2
C3511	C-CERA C	CK725F1E-104Z1	1	332161040R1
C3512	C-CERA C	CK725F1E-104Z1	1	332161040R1
C3513	C-CERA C	CK725F1E-104Z1	1	332161040R1
C3514	C-CERA C	CK725F1E-104Z1	1	332161040R1

C3515	C-CERA C	CK725F1E-104Z1	1	332161040R1
C3516	C-CERA C	CK725F1E-104Z1	1	332161040R1
C3517	C-CERA C	CK725F1E-104Z1	1	332161040R1
C3518	C-CERA C	CK725F1E-104Z1	1	332161040R1
C3519	C-CERA C	CK725F1E-104Z1	1	332161040R1
C3520	C-CERA C	CK725F1E-104Z1	1	332161040R1
C3521	C-CERA C	CK725F1E-104Z1	1	332161040R1
C3525	C-CERA C	CK725F1E-104Z1	1	332161040R1
C3526	C-CERA C	CK725F1E-104Z1	1	332161040R1
C3527	C-CERA C	CK725F1E-104Z1	1	332161040R1
C3528	C-CERA C	CK725F1E-104Z1	1	332161040R1
C3529	C-CERA C	CK725F1E-104Z1	1	332161040R1
C3530	C-CERA C	CK725F1E-104Z1	1	332161040R1
C3531	C-CERA C	CK725F1E-104Z1	1	332161040R1
C3532	C-CERA C	CK725F1E-104Z1	1	332161040R1
C3533	C-CERA C	CK725F1E-104Z1	1	332161040R1
C3534	C-CERA C	CK725F1E-104Z1	1	332161040R1
C3535	C-CERA C	CK725F1E-104Z1	1	332161040R1
C3551	C-CERA C	CC725CHI1H-101J1	1	342101014R1
C3552	C-CERA C	CK725F1E-104Z1	1	332161040R1
C3561	C-CERA C	CK725F1E-104Z1	1	332161040R1
C3563	C-CERA C	CK725F1E-104Z1	1	332161040R1
C3564	C-CERA C	CK725F1E-104Z1	1	332161040R1
C3565	C-CERA C	CK725F1E-104Z1	1	332161040R1
C3566	C-CERA C	CK725F1E-104Z1	1	332161040R1
C3571	C-CERA C	CK725F1E-104Z1	1	332161040R1
C3572	C-CERA C	CK725F1E-104Z1	1	332161040R1
C3573	C-CERA C	CK725F1E-104Z1	1	332161040R1
C3574	C-CERA C	CK725F1E-104Z1	1	332161040R1
C3575	C-CERA C	CK725F1E-104Z1	1	332161040R1
C3576	C-CERA C	CK725F1E-104Z1	1	332161040R1
C3577	CHIP ELECT C	CEWX4V-220M	1	3981G2217R2
C3584	CHIP ELECT C	CEWX4V-220M	1	3981G2217R2
C4109	C-CERA C	CK725F1E-104Z1	1	332161040R1
C7204	CHIP ELECT C	CEWX4V-100M	1	3981G1017R2
C7205	C-CERA C	CK725F1E-104Z1	1	332161040R1
C7206	CHIP ELECT C	CEWX4V-220M	1	3981G2217R2
C7304	CHIP ELECT C	CEWX4V-100M	1	3981G1017R2
C7305	C-CERA C	CK725F1E-104Z1	1	332161040R1
C7306	CHIP ELECT C	CEWX4V-220M	1	3981G2217R2
C8000	CHIP TANTAL	TCSCS0J226MAAR	1	396522207R2
C8000 or	CHIP TANTAL	F93-6.3V-22M	(1)	395522207R2
C8001	C-CERA C	CK725F1E-104Z1	1	332161040R1
C8002	C-CERA C	CK725F1E-104Z1	1	332161040R1
C8003	CHIP TANTAL	TCSCS0J226MAAR	1	396522207R2
C8003 or	CHIP TANTAL	F93-6.3V-22M	(1)	395522207R2
C8004	CHIP TANTAL	TCSCS0J226MAAR	1	396522207R2
C8004 or	CHIP TANTAL	F93-6.3V-22M	(1)	395522207R2
C8005	C-CERA C	CK725B1H-103K1	1	332101035R1
C8006	C-CERA C	CK725F1A-105Z1	1	332181050R1
C8007	C-CERA C	CK725F1A-105Z1	1	332181050R1
C8008	C-CERA C	CK725F1A-105Z1	1	332181050R1
C8009	C-CERA C	CK725F1A-105Z1	1	332181050R1

C8010	C-CERA C	CK725F1A-105Z1	1	332181050R1
C8011	C-CERA C	CK725F1A-105Z1	1	332181050R1
C8012	C-CERA C	CK725F1A-105Z1	1	332181050R1
C8013	C-CERA C	CK725F1A-105Z1	1	332181050R1
C8014	C-CERA C	CK725F1A-105Z1	1	332181050R1
C8015	C-CERA C	CK725F1A-105Z1	1	332181050R1
C8016	C-CERA C	CK725F1A-105Z1	1	332181050R1
C8017	C-CERA C	CK725F1A-105Z1	1	332181050R1
C8018	C-CERA C	CK725F1A-105Z1	1	332181050R1
C8021	CHIP ELECT C	CEWX16V-100M	1	398141017R2
C8022	C-CERA C	CK725F1A-105Z1	1	332181050R1
C8023	CHIP ELECT C	CEWX4V-100M	1	3981G1017R2
C8024	CHIP ELECT C	CEWX16V-100M	1	398141017R2
C8025	C-CERA C	CK725F1E-104Z1	1	332161040R1
C8026	CHIP ELECT C	CEWX4V-220M	1	3981G2217R2
C8030	CHIP TANTAL	TCSCS0J226MAAR	1	396522207R2
C8030 or	CHIP TANTAL	F93-6.3V-22M	(1)	395522207R2
C8031	C-CERA C	CK725F1E-104Z1	1	332161040R1
C8032	C-CERA C	CK725B1H-103K1	1	332101035R1
C8033	C-CERA C	CK725F1E-104Z1	1	332161040R1
C8034	CHIP TANTAL	TCSCS0J226MAAR	1	396522207R2
C8034 or	CHIP TANTAL	F93-6.3V-22M	(1)	395522207R2
C8041	CHIP ELECT C	CEWX16V-100M	1	398141017R2
C8042	C-CERA C	CK725F1E-104Z1	1	332161040R1
C8043	CHIP ELECT C	CEWX4V-220M	1	3981G2217R2
C8044	CHIP ELECT C	CEWX4V-220M	1	3981G2217R2
C8051	C-CERA C	CK725F1E-104Z1	1	332161040R1
C8052	C-CERA C	CK725F1E-104Z1	1	332161040R1
C8053	C-CERA C	CK725F1E-104Z1	1	332161040R1
C8054	C-CERA C	CK725F1E-104Z1	1	332161040R1
C8055	C-CERA C	CK725F1E-104Z1	1	332161040R1
C8056	C-CERA C	CK725F1E-104Z1	1	332161040R1
C8057	C-CERA C	CK725F1E-104Z1	1	332161040R1
C8058	C-CERA C	CK725F1E-104Z1	1	332161040R1
C8059	C-CERA C	CK725F1E-104Z1	1	332161040R1
C8060	C-CERA C	CK725F1E-104Z1	1	332161040R1
C8061	C-CERA C	CK725F1E-104Z1	1	332161040R1
C8062	C-CERA C	CK725F1E-104Z1	1	332161040R1
C8063	C-CERA C	CK725F1E-104Z1	1	332161040R1
C8064	C-CERA C	CK725F1E-104Z1	1	332161040R1
C8065	C-CERA C	CK725F1E-104Z1	1	332161040R1
C8066	C-CERA C	CK725F1E-104Z1	1	332161040R1
C8077	C-CERA C	CK725F1E-104Z1	1	332161040R1
C8078	C-CERA C	CK725F1E-104Z1	1	332161040R1
C8079	C-CERA C	CK725F1E-104Z1	1	332161040R1
C8080	C-CERA C	CK725F1E-104Z1	1	332161040R1
C8090	C-CERA C	CK725F1E-104Z1	1	332161040R1
C8091	C-CERA C	CK725F1E-104Z1	1	332161040R1
C8092	C-CERA C	CK725F1E-104Z1	1	332161040R1
C8094	C-CERA C	CK725F1E-104Z1	1	332161040R1
C8095	C-CERA C	CK725F1A-105Z1	1	332181050R1
C8096	CHIP ELECT C	CEWX50V-2.2M	1	398180227R2
C8097	C-CERA C	CK725F1E-104Z1	1	332161040R1

C8098	C-CERA C	CK725B1H-103K1	1	332101035R1
C8099	CHIP ELECT C	CEWX50V-2.2M	1	398180227R2
C8101	C-CARBON R	RN72K1J-000JE	1	435030004R1
C8102	C-CARBON R	RN72K1J-000JE	1	435030004R1
C8107	C-CERA C	CK725F1E-104Z1	1	332161040R1
C8111	C-CERA C	CK725F1E-104Z1	1	332161040R1
C8121	C-CARBON R	RN72K1J-000JE	1	435030004R1
C8122	C-CARBON R	RN72K1J-000JE	1	435030004R1
C8141	C-CARBON R	RN72K1J-000JE	1	435030004R1
C8142	C-CARBON R	RN72K1J-000JE	1	435030004R1
C8161	C-CERA C	CK725F1E-104Z1	1	332161040R1
C8162	CHIP ELECT C	CEWX4V-100M	1	3981G1017R2
C8164	CHIP ELECT C	CEWX4V-22M	1	3981G2207R2
C8165	C-CERA C	CK725F1E-104Z1	1	332161040R1
C8166	CHIP ELECT C	CEWX4V-22M	1	3981G2207R2
C8167	C-CERA C	CK725F1E-104Z1	1	332161040R1
C8168	CHIP ELECT C	CEWX4V-22M	1	3981G2207R2
C8169	C-CERA C	CK725F1E-104Z1	1	332161040R1
C8170	C-CERA C	CK725F1E-104Z1	1	332161040R1
C8171	C-CERA C	CK725F1E-104Z1	1	332161040R1
C8172	C-CERA C	CK725F1E-104Z1	1	332161040R1
C8173	C-CERA C	CK725F1E-104Z1	1	332161040R1
C8174	C-CERA C	CK725F1E-104Z1	1	332161040R1
C8175	C-CERA C	CK725F1E-104Z1	1	332161040R1
C8176	C-CERA C	CK725F1E-104Z1	1	332161040R1
C8177	C-CERA C	CK725F1E-104Z1	1	332161040R1
C8178	C-CERA C	CK725F1E-104Z1	1	332161040R1
C8179	C-CERA C	CK725F1E-104Z1	1	332161040R1
C8180	C-CERA C	CK725F1E-104Z1	1	332161040R1
C8181	C-CERA C	CK725F1E-104Z1	1	332161040R1
C8200	CHIP TANTAL	TCSCS0J226MAAR	1	396522207R2
C8200 or	CHIP TANTAL	F93-6.3V-22M	(1)	395522207R2
C8201	CHIP TANTAL	TCSCS0J226MAAR	1	396522207R2
C8201 or	CHIP TANTAL	F93-6.3V-22M	(1)	395522207R2
C8202	C-CERA C	CK725F1E-104Z1	1	332161040R1
C8203	C-CERA C	CK725F1E-104Z1	1	332161040R1
C8204	C-CERA C	CK725F1E-104Z1	1	332161040R1
C8205	C-CERA C	CK725F1E-104Z1	1	332161040R1
C8206	C-CERA C	CK725F1E-104Z1	1	332161040R1
C8207	C-CERA C	CK725F1E-104Z1	1	332161040R1
C8208	C-CERA C	CK725F1E-104Z1	1	332161040R1
C8209	C-CERA C	CK725F1E-104Z1	1	332161040R1
C8210	C-CERA C	CK725F1E-104Z1	1	332161040R1
C8211	C-CERA C	CK725F1E-104Z1	1	332161040R1
C8212	C-CERA C	CK725F1E-104Z1	1	332161040R1
C8213	C-CERA C	CK725F1E-104Z1	1	332161040R1
C8214	C-CERA C	CK725F1E-104Z1	1	332161040R1
C8215	C-CERA C	CK725F1E-104Z1	1	332161040R1
C8216	C-CERA C	CK725F1E-104Z1	1	332161040R1
C8217	C-CERA C	CK725F1E-104Z1	1	332161040R1
C8218	C-CERA C	CK725F1E-104Z1	1	332161040R1
C8219	CHIP TANTAL	TCSCS0J226MAAR	1	396522207R2
C8219 or	CHIP TANTAL	F93-6.3V-22M	(1)	395522207R2

C8220	CHIP TANTAL	TCSCS0J226MAAR	1	396522207R2
C8220 or	CHIP TANTAL	F93-6.3V-22M	(1)	395522207R2
C8221	C-CERA C	CK725B1H-103K1	1	332101035R1
C8222	C-CERA C	CK725B1H-103K1	1	332101035R1
C8223	C-CERA C	CK725F1E-104Z1	1	332161040R1
C8224	C-CERA C	CK725B1H-103K1	1	332101035R1
C8225	C-CERA C	CK725F1E-104Z1	1	332161040R1
C8226	C-CERA C	CK725F1E-104Z1	1	332161040R1
C8227	C-CERA C	CK725B1H-103K1	1	332101035R1
C8228	C-CERA C	CK725F1E-104Z1	1	332161040R1
C8229	C-CERA C	CK725F1E-104Z1	1	332161040R1
C8230	C-CERA C	CK725F1E-104Z1	1	332161040R1
C8231	C-CERA C	CK725B1H-103K1	1	332101035R1
C8232	C-CERA C	CK725F1E-104Z1	1	332161040R1
C8233	C-CERA C	CK725F1E-104Z1	1	332161040R1
C8234	C-CERA C	CK725F1E-104Z1	1	332161040R1
C8235	C-CERA C	CK725B1H-103K1	1	332101035R1
C8236	CHIP TANTAL	TCSCS0J226MAAR	1	396522207R2
C8236 or	CHIP TANTAL	F93-6.3V-22M	(1)	395522207R2
C8237	CHIP TANTAL	TCSCS0J226MAAR	1	396522207R2
C8237 or	CHIP TANTAL	F93-6.3V-22M	(1)	395522207R2
C8238	C-CERA C	CK725F1E-104Z1	1	332161040R1
C8239	C-CERA C	CK725F1E-104Z1	1	332161040R1
C8240	C-CERA C	CK725F1E-104Z1	1	332161040R1
C8241	C-CERA C	CK725F1E-104Z1	1	332161040R1
C8242	C-CERA C	CK725F1E-104Z1	1	332161040R1
C8243	C-CERA C	CK725F1E-104Z1	1	332161040R1
C8244	C-CERA C	CK725F1E-104Z1	1	332161040R1
C8245	C-CERA C	CK725F1E-104Z1	1	332161040R1
C8246	C-CERA C	CK725F1E-104Z1	1	332161040R1
C8247	C-CERA C	CK725F1E-104Z1	1	332161040R1
C8248	C-CERA C	CK725F1E-104Z1	1	332161040R1
C8249	C-CERA C	CK725F1E-104Z1	1	332161040R1
C8250	C-CERA C	CK725F1E-104Z1	1	332161040R1
C8251	CHIP TANTAL	TCSCS0J226MAAR	1	396522207R2
C8251 or	CHIP TANTAL	F93-6.3V-22M	(1)	395522207R2
C8252	C-CERA C	CK725F1E-104Z1	1	332161040R1
C8253	C-CERA C	CK725F1E-104Z1	1	332161040R1
C8254	C-CERA C	CK725F1E-104Z1	1	332161040R1
C8255	CHIP TANTAL	TCSCS0J226MAAR	1	396522207R2
C8255 or	CHIP TANTAL	F93-6.3V-22M	(1)	395522207R2
C8256	C-CERA C	CK725F1E-104Z1	1	332161040R1
C8257	C-CERA C	CK725F1E-104Z1	1	332161040R1
C8258	CHIP TANTAL	TCSCS0J226MAAR	1	396522207R2
C8258 or	CHIP TANTAL	F93-6.3V-22M	(1)	395522207R2
C8259	C-CERA C	CK725F1E-104Z1	1	332161040R1
C8260	CHIP TANTAL	TCSCS0J226MAAR	1	396522207R2
C8260 or	CHIP TANTAL	F93-6.3V-22M	(1)	395522207R2
C8261	C-CERA C	CK725F1E-104Z1	1	332161040R1
C8262	C-CERA C	CK725F1E-104Z1	1	332161040R1
C8263	C-CERA C	CK725F1E-104Z1	1	332161040R1
C8264	CHIP TANTAL	TCSCS0J226MAAR	1	396522207R2
C8264 or	CHIP TANTAL	F93-6.3V-22M	(1)	395522207R2

C8265	C-CERA C	CK725F1E-104Z1	1	332161040R1
C8266	C-CERA C	CK725F1E-104Z1	1	332161040R1
C8267	C-CERA C	CK725F1E-104Z1	1	332161040R1
C8268	CHIP TANTAL	TCSCS0J226MAAR	1	396522207R2
C8268 or	CHIP TANTAL	F93-6.3V-22M	(1)	395522207R2
C8269	C-CERA C	CK725F1E-104Z1	1	332161040R1
C8270	C-CERA C	CK725F1E-104Z1	1	332161040R1
C8271	C-CERA C	CK725F1E-104Z1	1	332161040R1
C8272	C-CERA C	CK725F1E-104Z1	1	332161040R1
C8273	CHIP TANTAL	TCSCS0J226MAAR	1	396522207R2
C8273 or	CHIP TANTAL	F93-6.3V-22M	(1)	395522207R2
C8274	C-CERA C	CK725F1E-104Z1	1	332161040R1
C8275	C-CERA C	CK725F1E-104Z1	1	332161040R1
C8276	C-CERA C	CK725B1H-103K1	1	332101035R1
C8282	C-CERA C	CK725F1E-104Z1	1	332161040R1
C8284	C-CERA C	CK725F1E-104Z1	1	332161040R1
C8288	C-CERA C	CC725CH1H-330J1	1	342103304R1
C8289	C-CERA C	CC725CH1H-330J1	1	342103304R1
C8290	C-CERA C	CK725B1H-102K1	1	332101025R1
C8291	C-CERA C	CK725F1E-104Z1	1	332161040R1
C8301	C-CARBON R	RN72K1J-000JE	1	435030004R1
C8302	C-CARBON R	RN72K1J-000JE	1	435030004R1
C8326	C-CERA C	CK725F1E-104Z1	1	332161040R1
C8327	C-CERA C	CK725F1A-105Z1	1	332181050R1
C8328	CHIP ELECT C	CEWX16V-22M	1	398142207R2
C8329	C-CERA C	CK725F1A-105Z1	1	332181050R1
C8330	C-CERA C	CK725F1A-105Z1	1	332181050R1
C8348	C-CARBON R	RN72K1J-000JE	1	435030004R1
C8399	C-CARBON R	RN72K1J-000JE	1	435030004R1
C8401	CHIP ELECT C	CEWX4V-22M	1	3981G2207R2
C8402	CHIP ELECT C	CEWX4V-22M	1	3981G2207R2
C8403	C-CERA C	CK725F1A-105Z1	1	332181050R1
C8404	C-CERA C	CK725B1H-102K1	1	332101025R1
C8405	C-CERA C	CK725F1A-105Z1	1	332181050R1
C8406	C-CERA C	CK725B1H-102K1	1	332101025R1
C8408	CHIP ELECT C	CEWX4V-22M	1	3981G2207R2
C8409	CHIP ELECT C	CEWX4V-22M	1	3981G2207R2
C8410	C-CERA C	CK725F1A-105Z1	1	332181050R1
C8411	C-CERA C	CK725B1H-102K1	1	332101025R1
C8412	C-CERA C	CK725F1A-105Z1	1	332181050R1
C8413	C-CERA C	CK725B1H-102K1	1	332101025R1
C8414	C-CERA C	CK725F1A-105Z1	1	332181050R1
C8415	C-CERA C	CK725B1H-102K1	1	332101025R1
C8416	C-CERA C	CK725B1H-102K1	1	332101025R1
C8417	C-CERA C	CK725F1A-105Z1	1	332181050R1
C8418	CHIP ELECT C	CEWX4V-22M	1	3981G2207R2
C8419	C-CERA C	CK725B1H-102K1	1	332101025R1
C8420	C-CERA C	CK725F1A-105Z1	1	332181050R1
C8421	C-CERA C	CK725B1H-102K1	1	332101025R1
C8422	C-CERA C	CK725F1A-105Z1	1	332181050R1
C8423	C-CERA C	CK725B1H-102K1	1	332101025R1
C8424	C-CERA C	CK725F1A-105Z1	1	332181050R1
C8425	C-CERA C	CK725B1H-102K1	1	332101025R1

C8426	C-CERA C	CK725F1A-105Z1	1	332181050R1
C8427	C-CERA C	CK725B1H-102K1	1	332101025R1
C8428	C-CERA C	CK725F1A-105Z1	1	332181050R1
C8429	C-CERA C	CK725B1H-102K1	1	332101025R1
C8430	C-CERA C	CK725F1A-105Z1	1	332181050R1
C8431	C-CERA C	CK725B1H-102K1	1	332101025R1
C8432	C-CERA C	CK725F1A-105Z1	1	332181050R1
C8433	C-CERA C	CK725B1H-102K1	1	332101025R1
C8434	C-CERA C	CK725F1A-105Z1	1	332181050R1
C8435	C-CERA C	CK725F1A-105Z1	1	332181050R1
C8436	C-CERA C	CK725F1A-105Z1	1	332181050R1
C8437	CHIP ELECT C	CEWX4V-22M	1	3981G2207R2
C8441	C-CERA C	CK725F1A-105Z1	1	332181050R1
C8442	C-CERA C	CK725F1A-105Z1	1	332181050R1
C8443	CHIP ELECT C	CEWX4V-220M	1	3981G2217R2
C8444	C-CERA C	CK725F1A-105Z1	1	332181050R1
C8451	C-CERA C	CC725CH1H-010C1	1	342100101R1
C8452	C-CERA C	CC725CH1H-010C1	1	342100101R1
C8453	C-CERA C	CC725CH1H-010C1	1	342100101R1
C8454	C-CERA C	CC725CH1H-010C1	1	342100101R1
C8455	C-CERA C	CC725CH1H-010C1	1	342100101R1
C8456	C-CERA C	CC725CH1H-010C1	1	342100101R1
C8457	C-CERA C	CC725CH1H-010C1	1	342100101R1
C8458	C-CERA C	CC725CH1H-010C1	1	342100101R1
C8501	C-CERA C	CK725F1A-105Z1	1	332181050R1
C8502	CHIP ELECT C	CEWX4V-22M	1	3981G2207R2
C8503	C-CERA C	CK725B1H-102K1	1	332101025R1
C8504	C-CERA C	CK725B1H-102K1	1	332101025R1
C8505	CHIP ELECT C	CEWX4V-22M	1	3981G2207R2
C8506	C-CERA C	CK725F1A-105Z1	1	332181050R1
C8507	C-CERA C	CK725B1H-102K1	1	332101025R1
C8508	C-CERA C	CK725F1A-105Z1	1	332181050R1
C8509	C-CERA C	CK725B1H-102K1	1	332101025R1
C8510	C-CERA C	CK725F1A-105Z1	1	332181050R1
C8511	C-CERA C	CK725B1H-102K1	1	332101025R1
C8512	C-CERA C	CK725F1A-105Z1	1	332181050R1
C8513	C-CERA C	CK725B1H-102K1	1	332101025R1
C8514	C-CERA C	CK725F1A-105Z1	1	332181050R1
C8515	C-CERA C	CK725B1H-102K1	1	332101025R1
C8516	C-CERA C	CK725F1A-105Z1	1	332181050R1
C8517	C-CERA C	CK725B1H-102K1	1	332101025R1
C8518	C-CERA C	CK725F1A-105Z1	1	332181050R1
C8519	C-CERA C	CK725B1H-102K1	1	332101025R1
C8520	C-CERA C	CK725F1A-105Z1	1	332181050R1
C8521	C-CERA C	CK725B1H-102K1	1	332101025R1
C8522	C-CERA C	CK725F1A-105Z1	1	332181050R1
C8523	C-CERA C	CK725B1H-102K1	1	332101025R1
C8524	C-CERA C	CK725F1A-105Z1	1	332181050R1
C8529	CHIP ELECT C	CEWX4V-22M	1	3981G2207R2
C8530	C-CERA C	CK725F1A-105Z1	1	332181050R1
C8531	C-CERA C	CK725B1H-102K1	1	332101025R1
C8532	C-CERA C	CK725F1A-105Z1	1	332181050R1
C8533	C-CERA C	CK725B1H-102K1	1	332101025R1

C8534	C-CERA C	CK725F1A-105Z1	1	332181050R1
C8535	C-CERA C	CK725B1H-102K1	1	332101025R1
C8536	C-CERA C	CK725F1A-105Z1	1	332181050R1
C8537	C-CERA C	CK725B1H-102K1	1	332101025R1
C8538	C-CERA C	CK725F1A-105Z1	1	332181050R1
C8539	C-CERA C	CK725B1H-102K1	1	332101025R1
C8540	C-CERA C	CK725F1A-105Z1	1	332181050R1
C8541	C-CERA C	CK725B1H-102K1	1	332101025R1
C8542	C-CERA C	CK725F1A-105Z1	1	332181050R1
C8543	C-CERA C	CK725B1H-102K1	1	332101025R1
C8544	C-CERA C	CK725F1A-105Z1	1	332181050R1
C8545	C-CERA C	CK725B1H-102K1	1	332101025R1
C8546	C-CERA C	CK725F1A-105Z1	1	332181050R1
C8547	C-CERA C	CK725B1H-102K1	1	332101025R1
C8548	C-CERA C	CK725F1A-105Z1	1	332181050R1
C8549	C-CERA C	CK725B1H-102K1	1	332101025R1
C8550	C-CERA C	CK725F1A-105Z1	1	332181050R1
C8551	C-CERA C	CK725B1H-102K1	1	332101025R1
C8552	C-CERA C	CK725F1A-105Z1	1	332181050R1
C8553	C-CERA C	CK725B1H-102K1	1	332101025R1
C8554	C-CERA C	CK725F1A-105Z1	1	332181050R1
C8555	C-CERA C	CK725B1H-102K1	1	332101025R1
C8556	C-CERA C	CK725F1A-105Z1	1	332181050R1
C8557	C-CERA C	CK725B1H-102K1	1	332101025R1
C8558	C-CERA C	CK725F1A-105Z1	1	332181050R1
C8559	C-CERA C	CK725B1H-102K1	1	332101025R1
C8560	C-CERA C	CK725F1A-105Z1	1	332181050R1
C8561	C-CERA C	CK725B1H-102K1	1	332101025R1
C8562	C-CERA C	CK725F1A-105Z1	1	332181050R1
C8563	C-CERA C	CK725B1H-102K1	1	332101025R1
C8564	CHIP ELECT C	CEWX4V-22M	1	3981G2207R2
C8565	CHIP ELECT C	CEWX4V-22M	1	3981G2207R2
C8566	C-CERA C	CK725B1H-102K1	1	332101025R1
C8567	C-CERA C	CK725F1A-105Z1	1	332181050R1
C8568	CHIP ELECT C	CEWX4V-22M	1	3981G2207R2
C8569	C-CERA C	CK725B1H-102K1	1	332101025R1
C8570	C-CERA C	CK725F1A-105Z1	1	332181050R1
C8571	CHIP ELECT C	CEWX4V-22M	1	3981G2207R2
C8572	C-CERA C	CK725B1H-102K1	1	332101025R1
C8573	C-CERA C	CK725F1A-105Z1	1	332181050R1
C8574	C-CERA C	CC725CH1H-070D1	1	342100702R1
C8575	C-CERA C	CC725CH1H-070D1	1	342100702R1
C8601	C-CERA C	CK725F1A-105Z1	1	332181050R1
C8602	CHIP ELECT C	CEWX4V-100M	1	3981G1017R2
C8603	C-CERA C	CK725F1A-105Z1	1	332181050R1
C8604	C-CERA C	CK725F1A-105Z1	1	332181050R1
C8605	CHIP ELECT C	CEWX4V-220M	1	3981G2217R2
C8606	C-CERA C	CK725F1E-104Z1	1	332161040R1
C8607	CHIP ELECT C	CEWX4V-100M	1	3981G1017R2
C8608	C-CERA C	CK725F1A-105Z1	1	332181050R1
C8609	CHIP ELECT C	CEWX4V-100M	1	3981G1017R2
C8675	CHIP ELECT C	CEWX4V-100M	1	3981G1017R2
C8676	C-CERA C	CK725F1A-105Z1	1	332181050R1

C8690	C-CERA C	CK725F1A-105Z1	1	332181050R1
C8691	C-CERA C	CK725F1A-105Z1	1	332181050R1
C8692	C-CERA C	CK725F1A-105Z1	1	332181050R1
C8838	C-CERA C	CC725CH1H-470J1	1	342104704R1
C8839	C-CERA C	CC725CH1H-470J1	1	342104704R1
C8840	C-CERA C	CC725CH1H-470J1	1	342104704R1
C8855	C-CERA C	CK725F1E-104Z1	1	332161040R1
C8856	C-CERA C	CK725F1E-104Z1	1	332161040R1
C8857	C-CERA C	CK725F1E-104Z1	1	332161040R1
C8858	C-CERA C	CK725F1E-104Z1	1	332161040R1
C8859	C-CERA C	CK725F1E-104Z1	1	332161040R1
C8860	C-CERA C	CK725F1E-104Z1	1	332161040R1
C8861	C-CERA C	CK725F1E-104Z1	1	332161040R1
C8862	C-CERA C	CK725F1E-104Z1	1	332161040R1
C8863	C-CERA C	CK725F1E-104Z1	1	332161040R1
C8864	C-CERA C	CK725F1E-104Z1	1	332161040R1
C8865	C-CERA C	CK725F1E-104Z1	1	332161040R1
C8866	C-CERA C	CK725F1E-104Z1	1	332161040R1
C8867	C-CERA C	CK725F1E-104Z1	1	332161040R1
C8868	C-CERA C	CK725F1E-104Z1	1	332161040R1
C8869	C-CERA C	CK725F1E-104Z1	1	332161040R1
C8870	C-CERA C	CK725F1E-104Z1	1	332161040R1
C8919	CHIP ELECT C	CEWX4V-100M	1	3981G1017R2
C8920	C-CERA C	CK725F1A-105Z1	1	332181050R1
C8956	CD C	UCD1A471MNL1GS	1	396634717R2
C8957	CD C	UCD1A471MNL1GS	1	396634717R2
C8958	CD C	UCD1A471MNL1GS	1	396634717R2
C8960	C-CERA C	CK725B1H-682K1	1	332106825R1
C8961	C-CERA C	CK725B1H-682K1	1	332106825R1
C8962	C-CERA C	CK725B1H-682K1	1	332106825R1
C8964	C-CERA C	CK725B1H-223K1	1	332102235R1
C8965	C-CERA C	CK725B1H-223K1	1	332102235R1
C8966	C-CERA C	CC725CH1H-102J1	1	342101024R1
C8968	C-CERA C	CK725F1A-105Z1	1	332181050R1
C8969	C-CERA C	CK725F1A-105Z1	1	332181050R1
C8970	C-CERA C	CK725F1A-105Z1	1	332181050R1
C8972	C-CERA C	CK725B1H-473K1	1	332104735R1
C8973	C-CERA C	CK725B1H-473K1	1	332104735R1
C8974	C-CERA C	CK725B1H-473K1	1	332104735R1
C8976	C-CERA C	CK725F1E-104Z1	1	332161040R1
C8977	C-CERA C	CK725F1E-104Z1	1	332161040R1
C8978	C-CERA C	CK725F1E-104Z1	1	332161040R1
C8980	C-CERA C	CK725F1A-105Z1	1	332181050R1
C8981	C-CERA C	CK725F1A-105Z1	1	332181050R1
C8982	C-CERA C	CK725F1A-105Z1	1	332181050R1
C8984	C-CERA C	CK725F1E-104Z1	1	332161040R1
C8985	C-CERA C	CK725F1E-104Z1	1	332161040R1
C8986	C-CERA C	CK725F1E-104Z1	1	332161040R1
C8990	C-CERA C	CK725F1A-105Z1	1	332181050R1
C8991	C-CERA C	CK725F1A-105Z1	1	332181050R1
C8992	C-CERA C	CK725F1A-105Z1	1	332181050R1
C8994	CD C	UCD1E221MNL1GS	1	396652217R2
C8995	CD C	UCD1E221MNL1GS	1	396652217R2

C8996	CD C	UCD1E221MNL1GS	1	396652217R2
C8998	C-CERA C	CK725F1A-105Z1	1	332181050R1
C8999	C-CERA C	CK725F1A-105Z1	1	332181050R1
R265	C-CARBON R	RN72K1J-331JE	1	435033314R1
R266	C-CARBON R	RN72K1J-331JE	1	435033314R1
R267	C-CARBON R	RN72K1J-331JE	1	435033314R1
R268	C-CARBON R	RN72K1J-331JE	1	435033314R1
R269	C-CARBON R	RN72K1J-331JE	1	435033314R1
R273	C-CARBON R	RN72K1J-331JE	1	435033314R1
R274	C-CARBON R	RN72K1J-470JE	1	435034704R1
R275	C-CARBON R	RN72K1J-331JE	1	435033314R1
R3311	C-CARBON R	RN72K1J-331JE	1	435033314R1
R3312	C-CARBON R	RN72K1J-331JE	1	435033314R1
R3313	C-CARBON R	RN72K1J-331JE	1	435033314R1
R3315	C-CARBON R	RN72K1J-331JE	1	435033314R1
R3316	C-CARBON R	RN72K1J-331JE	1	435033314R1
R3317	C-CARBON R	RN72K1J-470JE	1	435034704R1
R3318	C-CARBON R	RN72K1J-470JE	1	435034704R1
R3319	C-CARBON R	RN72K1J-331JE	1	435033314R1
R3320	C-CARBON R	RN72K1J-331JE	1	435033314R1
R3321	C-CARBON R	RN72K1J-470JE	1	435034704R1
R3322	C-CARBON R	RN72K1J-331JE	1	435033314R1
R3323	C-CARBON R	RN72K1J-331JE	1	435033314R1
R3324	C-CARBON R	RN72K1J-331JE	1	435033314R1
R3325	C-CARBON R	RN72K1J-470JE	1	435034704R1
R3341	C-CARBON R	RN72K1J-000JE	1	435030004R1
R3401	C-CARBON R	RN72K1J-470JE	1	435034704R1
R3402	C-CARBON R	RN72K1J-102JE	1	435031024R1
R3403	C-CARBON R	RN72K1J-102JE	1	435031024R1
R3404	C-CARBON R	RN72K1J-222JE	1	435032224R1
R3405	C-CARBON R	RN72K1J-470JE	1	435034704R1
R3406	C-CARBON R	RN72K1J-102JE	1	435031024R1
R3407	C-CARBON R	RN72K1J-470JE	1	435034704R1
R3408	C-CARBON R	RN72K1J-470JE	1	435034704R1
R3409	C-CARBON R	RN72K1J-470JE	1	435034704R1
R3410	C-CARBON R	RN72K1J-470JE	1	435034704R1
R3411	C-CARBON R	RN72K1J-103JE	1	435031034R1
R3412	C-CARBON R	RN72K1J-331JE	1	435033314R1
R3413	C-CARBON R	RN72K1J-331JE	1	435033314R1
R3414	C-CARBON R	RN72K1J-103JE	1	435031034R1
R3415	C-CARBON R	RN72K1J-103JE	1	435031034R1
R3416	C-CARBON R	RN72K1J-103JE	1	435031034R1
R3417	C-CARBON R	RN72K1J-331JE	1	435033314R1
R3418	C-CARBON R	RN72K1J-331JE	1	435033314R1
R3419	C-CARBON R	RN72K1J-331JE	1	435033314R1
R3420	C-CARBON R	RN72K1J-331JE	1	435033314R1
R3421	C-CARBON R	RN72K1J-331JE	1	435033314R1
R3422	C-CARBON R	RN72K1J-331JE	1	435033314R1
R3423	C-CARBON R	RN72K1J-103JE	1	435031034R1
R3424	C-CARBON R	RN72K1J-331JE	1	435033314R1
R3425	C-CARBON R	RN72K1J-331JE	1	435033314R1
R3426	C-CARBON R	RN72K1J-331JE	1	435033314R1
R3427	C-CARBON R	RN72K1J-470JE	1	435034704R1

R3428	C-CARBON R	RN72K1J-470JE	1	435034704R1
R3429	C-CARBON R	RN72K1J-331JE	1	435033314R1
R3430	C-CARBON R	RN72K1J-103JE	1	435031034R1
R3431	C-CARBON R	RN72K1J-103JE	1	435031034R1
R3451	C-CARBON R	RN72K1J-103JE	1	435031034R1
R3452	C-CARBON R	RN72K1J-103JE	1	435031034R1
R3453	C-CARBON R	RN72K1J-103JE	1	435031034R1
R3454	C-CARBON R	RN72K1J-102JE	1	435031024R1
R3455	C-CARBON R	RN72K1J-103JE	1	435031034R1
R3456	C-CARBON R	RN72K1J-103JE	1	435031034R1
R3457	C-CARBON R	RN72K1J-103JE	1	435031034R1
R3482	C-CARBON R	RN72K1J-221JE	1	435032214R1
R3483	C-CARBON R	RN72K1J-105JE	1	435031054R1
R3491	C-CARBON R	RN72K1J-472JE	1	435034724R1
R3492	C-CARBON R	RN72K1J-472JE	1	435034724R1
R3493	C-CARBON R	RN72K1J-472JE	1	435034724R1
R3494	C-CARBON R	RN72K1J-472JE	1	435034724R1
R3495	C-CARBON R	RN72K1J-472JE	1	435034724R1
R3496	C-CARBON R	RN72K1J-103JE	1	435031034R1
R3501	C-CARBON R	RN72K1J-470JE	1	435034704R1
R3502	C-CARBON R	RN72K1J-102JE	1	435031024R1
R3503	C-CARBON R	RN72K1J-102JE	1	435031024R1
R3504	C-CARBON R	RN72K1J-222JE	1	435032224R1
R3505	C-CARBON R	RN72K1J-470JE	1	435034704R1
R3506	C-CARBON R	RN72K1J-102JE	1	435031024R1
R3507	C-CARBON R	RN72K1J-470JE	1	435034704R1
R3508	C-CARBON R	RN72K1J-470JE	1	435034704R1
R3509	C-CARBON R	RN72K1J-470JE	1	435034704R1
R3510	C-CARBON R	RN72K1J-470JE	1	435034704R1
R3511	C-CARBON R	RN72K1J-103JE	1	435031034R1
R3512	C-CARBON R	RN72K1J-331JE	1	435033314R1
R3513	C-CARBON R	RN72K1J-331JE	1	435033314R1
R3514	C-CARBON R	RN72K1J-103JE	1	435031034R1
R3515	C-CARBON R	RN72K1J-103JE	1	435031034R1
R3516	C-CARBON R	RN72K1J-103JE	1	435031034R1
R3517	C-CARBON R	RN72K1J-331JE	1	435033314R1
R3518	C-CARBON R	RN72K1J-331JE	1	435033314R1
R3519	C-CARBON R	RN72K1J-331JE	1	435033314R1
R3520	C-CARBON R	RN72K1J-331JE	1	435033314R1
R3521	C-CARBON R	RN72K1J-331JE	1	435033314R1
R3522	C-CARBON R	RN72K1J-331JE	1	435033314R1
R3523	C-CARBON R	RN72K1J-103JE	1	435031034R1
R3524	C-CARBON R	RN72K1J-331JE	1	435033314R1
R3525	C-CARBON R	RN72K1J-331JE	1	435033314R1
R3526	C-CARBON R	RN72K1J-331JE	1	435033314R1
R3527	C-CARBON R	RN72K1J-470JE	1	435034704R1
R3528	C-CARBON R	RN72K1J-470JE	1	435034704R1
R3529	C-CARBON R	RN72K1J-331JE	1	435033314R1
R3530	C-CARBON R	RN72K1J-103JE	1	435031034R1
R3531	C-CARBON R	RN72K1J-103JE	1	435031034R1
R3551	C-CARBON R	RN72K1J-103JE	1	435031034R1
R3552	C-CARBON R	RN72K1J-103JE	1	435031034R1
R3554	C-CARBON R	RN72K1J-102JE	1	435031024R1

R3555	C-CARBON R	RN72K1J-103JE	1	435031034R1
R3556	C-CARBON R	RN72K1J-103JE	1	435031034R1
R3557	C-CARBON R	RN72K1J-103JE	1	435031034R1
R7206	C-CARBON R	RN72K1J-223JE	1	435032234R1
R7207	C-CARBON R	RN72K1J-153JE	1	435031534R1
R7306	C-CARBON R	RN72K1J-223JE	1	435032234R1
R7307	C-CARBON R	RN72K1J-153JE	1	435031534R1
R8000	C-CARBON R	RN72K1J-103JE	1	435031034R1
R8001	C-CARBON R	RN72K1J-103JE	1	435031034R1
R8002	C-CARBON R	RN72K1J-271JE	1	435032714R1
R8003	C-CARBON R	RN72K1J-271JE	1	435032714R1
R8005	C-CARBON R	RN72K1J-104JE	1	435031044R1
R8010	C-CARBON R	RN72K1J-103JE	1	435031034R1
R8011	C-CARBON R	RN72K1J-103JE	1	435031034R1
R8012	C-CARBON R	RN72K1J-000JE	1	435030004R1
R8013	C-CARBON R	RN72K1J-103JE	1	435031034R1
R8014	C-CARBON R	RN72K1J-103JE	1	435031034R1
R8015	C-CARBON R	RN72K1J-103JE	1	435031034R1
R8016	C-CARBON R	RN72K1J-103JE	1	435031034R1
R8017	C-CARBON R	RN72K1J-103JE	1	435031034R1
R8018	C-CARBON R	RN72K1J-103JE	1	435031034R1
R8019	C-CARBON R	RN72K1J-103JE	1	435031034R1
R8020	C-CARBON R	RN72K1J-103JE	1	435031034R1
R8021	C-CARBON R	RN72K1J-103JE	1	435031034R1
R8022	C-CARBON R	RN72K1J-103JE	1	435031034R1
R8026	C-CARBON R	RN72K1J-103JE	1	435031034R1
R8028	C-CARBON R	RN72K1J-103JE	1	435031034R1
R8029	C-CARBON R	RN72K1J-103JE	1	435031034R1
R8033	C-CARBON R	RN72K1J-103JE	1	435031034R1
R8034	C-CARBON R	RN72K1J-000JE	1	435030004R1
R8035	C-CARBON R	RN72K1J-000JE	1	435030004R1
R8036	C-CARBON R	RN72K1J-103JE	1	435031034R1
R8038	C-CARBON R	RN72K1J-330JE	1	435033304R1
R8045	C-CARBON R	RN72K1J-000JE	1	435030004R1
R8046	C-CARBON R	RN72K1J-000JE	1	435030004R1
R8047	C-CARBON R	RN72K1J-000JE	1	435030004R1
R8048	C-CARBON R	RN72K1J-000JE	1	435030004R1
R8049	C-CARBON R	RN72K1J-000JE	1	435030004R1
R8050	C-CARBON R	RN72K1J-000JE	1	435030004R1
R8051	C-CARBON R	RN72K1J-680JE	1	435036804R1
R8052	C-CARBON R	RN72K1J-471JE	1	435034714R1
R8053	C-CARBON R	RN72K1J-680JE	1	435036804R1
R8054	C-CARBON R	RN72K1J-471JE	1	435034714R1
R8055	C-CARBON R	RN72K1J-680JE	1	435036804R1
R8056	C-CARBON R	RN72K1J-471JE	1	435034714R1
R8057	C-CARBON R	RN72K1J-680JE	1	435036804R1
R8058	C-CARBON R	RN72K1J-471JE	1	435034714R1
R8059	C-CARBON R	RN72K1J-680JE	1	435036804R1
R8060	C-CARBON R	RN72K1J-680JE	1	435036804R1
R8061	C-CARBON R	RN72K1J-680JE	1	435036804R1
R8062	C-CARBON R	RN72K1J-220JE	1	435032204R1
R8063	C-CARBON R	RN72K1J-220JE	1	435032204R1
R8064	C-CARBON R	RN72K1J-220JE	1	435032204R1

R8065	C-CARBON R	RN72K1J-103JE	1	435031034R1
R8066	C-CARBON R	RN72K1J-103JE	1	435031034R1
R8067	C-CARBON R	RN72K1J-103JE	1	435031034R1
R8068	C-CARBON R	RN72K1J-750JE	1	435037504R1
R8069	C-CARBON R	RN72K1J-750JE	1	435037504R1
R8070	C-CARBON R	RN72K1J-750JE	1	435037504R1
R8074	C-CARBON R	RN72K1J-103JE	1	435031034R1
R8075	C-CARBON R	RN72K1J-103JE	1	435031034R1
R8076	C-CARBON R	RN72K1J-103JE	1	435031034R1
R8079	C-CARBON R	RN72K1J-220JE	1	435032204R1
R8080	C-CARBON R	RN72K1J-220JE	1	435032204R1
R8081	C-CARBON R	RN72K1J-220JE	1	435032204R1
R8082	C-CARBON R	RN72K1J-680JE	1	435036804R1
R8083	C-CARBON R	RN72K1J-471JE	1	435034714R1
R8084	C-CARBON R	RN72K1J-471JE	1	435034714R1
R8085	C-CARBON R	RN72K1J-471JE	1	435034714R1
R8086	C-CARBON R	RN72K1J-471JE	1	435034714R1
R8087	C-CARBON R	RN72K1J-220JE	1	435032204R1
R8088	C-CARBON R	RN72K1J-220JE	1	435032204R1
R8089	C-CARBON R	RN72K1J-271JE	1	435032714R1
R8090	C-CARBON R	RN72K1J-270JE	1	435032704R1
R8091	C-CARBON R	RN72K1J-222JE	1	435032224R1
R8092	C-CARBON R	RN72K1J-563JE	1	435035634R1
R8093	C-CARBON R	RN72K1J-470JE	1	435034704R1
R8094	C-CARBON R	RN72K1J-103JE	1	435031034R1
R8095	C-CARBON R	RN72K1J-220JE	1	435032204R1
R8096	C-CARBON R	RN72K1J-222JE	1	435032224R1
R8097	C-CARBON R	RN72K1J-563JE	1	435035634R1
R8098	C-CARBON R	RN72K1J-223JE	1	435032234R1
R8099	C-CARBON R	RN72K1J-000JE	1	435030004R1
R8100	C-CARBON R	RN72K1J-103JE	1	435031034R1
R8109	C-CARBON R	RN72K1J-473JE	1	435034734R1
R8110	C-CARBON R	RN72K1J-472JE	1	435034724R1
R8113	C-CARBON R	RN72K1J-103JE	1	435031034R1
R8123	C-CARBON R	RN72K1J-103JE	1	435031034R1
R8129	C-CARBON R	RN72K1J-473JE	1	435034734R1
R8130	C-CARBON R	RN72K1J-472JE	1	435034724R1
R8143	C-CARBON R	RN72K1J-103JE	1	435031034R1
R8149	C-CARBON R	RN72K1J-473JE	1	435034734R1
R8150	C-CARBON R	RN72K1J-472JE	1	435034724R1
R8160	C-CARBON R	RN72K1J-103JE	1	435031034R1
R8161	C-CARBON R	RN72K1J-471JE	1	435034714R1
R8162	C-CARBON R	RN72K1J-101JE	1	435031014R1
R8163	C-CARBON R	RN72K1J-222JE	1	435032224R1
R8164	C-CARBON R	RN72K1J-222JE	1	435032224R1
R8165	C-CARBON R	RN72K1J-103JE	1	435031034R1
R8201	C-CARBON R	RN72K1J-330JE	1	435033304R1
R8202	C-CARBON R	RN72K1J-000JE	1	435030004R1
R8203	C-CARBON R	RN72K1J-000JE	1	435030004R1
R8205	C-CARBON R	RN72K1J-220JE	1	435032204R1
R8206	C-CARBON R	RN72K1J-103JE	1	435031034R1
R8207	C-CARBON R	RN72K1J-103JE	1	435031034R1
R8208	C-CARBON R	RN72K1J-103JE	1	435031034R1

R8209	C-CARBON R	RN72K1J-103JE	1	435031034R1
R8210	C-CARBON R	RN72K1J-103JE	1	435031034R1
R8212	C-CARBON R	RN72K1J-103JE	1	435031034R1
R8213	C-CARBON R	RN72K1J-103JE	1	435031034R1
R8214	C-CARBON R	RN72K1J-272JE	1	435032724R1
R8215	C-CARBON R	RN72K1J-272JE	1	435032724R1
R8219	C-CARBON R	RN72K1J-103JE	1	435031034R1
R8223	C-CARBON R	RN72K1J-103JE	1	435031034R1
R8224	C-CARBON R	RN72K1J-103JE	1	435031034R1
R8230	C-R NET	RM7LJ330X04	1	43484733004R2
R8231	C-R NET	RM7LJ330X04	1	43484733004R2
R8232	C-R NET	RM7LJ330X04	1	43484733004R2
R8233	C-R NET	RM7LJ330X04	1	43484733004R2
R8234	C-R NET	RM7LJ330X04	1	43484733004R2
R8235	C-R NET	RM7LJ330X04	1	43484733004R2
R8236	C-R NET	RM7LJ330X04	1	43484733004R2
R8238	C-R NET	RM7LJ330X04	1	43484733004R2
R8239	C-R NET	RM7LJ330X04	1	43484733004R2
R8240	C-R NET	RM7LJ330X04	1	43484733004R2
R8241	C-R NET	RM7LJ330X04	1	43484733004R2
R8243	C-R NET	RM7LJ330X04	1	43484733004R2
R8245	C-R NET	RM7LJ330X04	1	43484733004R2
R8248	C-R NET	RM7LJ330X04	1	43484733004R2
R8249	C-R NET	RM7LJ330X04	1	43484733004R2
R8251	C-R NET	RM7LJ220X04	1	43484722004R2
R8252	C-R NET	RM7LJ220X04	1	43484722004R2
R8253	C-R NET	RM7LJ220X04	1	43484722004R2
R8254	C-R NET	RM7LJ220X04	1	43484722004R2
R8255	C-R NET	RM7LJ220X04	1	43484722004R2
R8256	C-R NET	RM7LJ220X04	1	43484722004R2
R8257	C-R NET	RM7LJ220X04	1	43484722004R2
R8258	C-R NET	RM7LJ220X04	1	43484722004R2
R8259	C-R NET	RM7LJ220X04	1	43484722004R2
R8264	C-CARBON R	RN72K1J-103JE	1	435031034R1
R8271	C-R NET	RM7LJ220X04	1	43484722004R2
R8272	C-R NET	RM7LJ220X04	1	43484722004R2
R8273	C-R NET	RM7LJ220X04	1	43484722004R2
R8274	C-R NET	RM7LJ220X04	1	43484722004R2
R8275	C-R NET	RM7LJ220X04	1	43484722004R2
R8276	C-R NET	RM7LJ220X04	1	43484722004R2
R8277	C-R NET	RM7LJ220X04	1	43484722004R2
R8278	C-R NET	RM7LJ220X04	1	43484722004R2
R8279	C-R NET	RM7LJ220X04	1	43484722004R2
R8280	C-CARBON R	RN72K1J-120JE	1	435031204R1
R8282	C-CARBON R	RN72K1J-000JE	1	435030004R1
R8283	C-CARBON R	RN72K1J-000JE	1	435030004R1
R8284	C-CARBON R	RN72K1J-330JE	1	435033304R1
R8285	C-CARBON R	RN72K1J-000JE	1	435030004R1
R8309	C-CARBON R	RN72K1J-473JE	1	435034734R1
R8310	C-CARBON R	RN72K1J-472JE	1	435034724R1
R8333	C-CARBON R	RN72K1J-103JE	1	435031034R1
R8334	C-CARBON R	RN72K1J-222JE	1	435032224R1
R8335	C-CARBON R	RN72K1J-222JE	1	435032224R1

R8336	C-CARBON R	RN72K1J-472JE	1	435034724R1
R8337	C-CARBON R	RN72K1J-473JE	1	435034734R1
R8338	C-CARBON R	RN72K1J-473JE	1	435034734R1
R8339	C-CARBON R	RN72K2E-101JE	1	435221014R1
R8368	C-CARBON R	RN72K1J-473JE	1	435034734R1
R8401	C-R NET	RM7LJ220X04	1	43484722004R2
R8402	C-CARBON R	RN72K1J-220JE	1	435032204R1
R8403	C-R NET	RM7LJ220X04	1	43484722004R2
R8404	C-CARBON R	RN72K1J-220JE	1	435032204R1
R8405	C-CARBON R	RN72K1J-220JE	1	435032204R1
R8408	C-CARBON R	RN72K1J-220JE	1	435032204R1
R8409	C-CARBON R	RN72K1J-472JE	1	435034724R1
R8410	C-CARBON R	RN72K1J-681JE	1	435036814R1
R8411	C-CARBON R	RN72K1J-472JE	1	435034724R1
R8414	C-CARBON R	RN72K1J-472JE	1	435034724R1
R8415	C-CARBON R	RN72K1J-472JE	1	435034724R1
R8416	C-R NET	RM7LJ220X04	1	43484722004R2
R8417	C-R NET	RM7LJ220X04	1	43484722004R2
R8418	C-R NET	RM7LJ220X04	1	43484722004R2
R8419	C-R NET	RM7LJ220X04	1	43484722004R2
R8420	C-R NET	RM7LJ220X04	1	43484722004R2
R8421	C-R NET	RM7LJ220X04	1	43484722004R2
R8422	C-R NET	RM7LJ220X04	1	43484722004R2
R8423	C-R NET	RM7LJ220X04	1	43484722004R2
R8424	C-R NET	RM7LJ220X04	1	43484722004R2
R8425	C-CARBON R	RN72K1J-220JE	1	435032204R1
R8426	C-CARBON R	RN72K1J-103JE	1	435031034R1
R8427	C-CARBON R	RN72K1J-103JE	1	435031034R1
R8429	C-CARBON R	RN72K1J-220JE	1	435032204R1
R8431	C-CARBON R	RN72K1J-472JE	1	435034724R1
R8432	C-CARBON R	RN72K1J-220JE	1	435032204R1
R8442	C-CARBON R	RN72K1J-102JE	1	435031024R1
R8503	C-R NET	RM7LJ330X04	1	43484733004R2
R8504	C-R NET	RM7LJ330X04	1	43484733004R2
R8505	C-R NET	RM7LJ330X04	1	43484733004R2
R8506	C-CARBON R	RN72K1J-120JE	1	435031204R1
R8507	C-R NET	RM7LJ330X04	1	43484733004R2
R8508	C-R NET	RM7LJ330X04	1	43484733004R2
R8509	C-R NET	RM7LJ330X04	1	43484733004R2
R8510	C-R NET	RM7LJ330X04	1	43484733004R2
R8511	C-R NET	RM7LJ330X04	1	43484733004R2
R8512	C-R NET	RM7LJ330X04	1	43484733004R2
R8513	C-R NET	RM7LJ330X04	1	43484733004R2
R8514	C-CARBON R	RN72K1J-472JE	1	435034724R1
R8516	C-CARBON R	RN72K1J-101JE	1	435031014R1
R8517	C-CARBON R	RN72K1J-101JE	1	435031014R1
R8518	C-CARBON R	RN72K1J-472JE	1	435034724R1
R8519	C-CARBON R	RN72K1J-470JE	1	435034704R1
R8520	C-CARBON R	RN72K1J-330JE	1	435033304R1
R8521	C-CARBON R	RN72K1J-330JE	1	435033304R1
R8522	C-R NET	RM7LJ330X04	1	43484733004R2
R8523	C-CARBON R	RN72K1J-330JE	1	435033304R1
R8524	C-CARBON R	RN72K1J-330JE	1	435033304R1

R8629	C-CARBON R	RN72K1J-562JE	1	435035624R1
R8630	C-CARBON R	RN72K1J-562JE	1	435035624R1
R8633	C-CARBON R	RN72K1J-102JE	1	435031024R1
R8634	C-CARBON R	RN72K1J-103JE	1	435031034R1
R8637	C-CARBON R	RN72K1J-102JE	1	435031024R1
R8638	C-CARBON R	RN72K1J-473JE	1	435034734R1
R8639	C-CARBON R	RN72K1J-473JE	1	435034734R1
R8642	C-CARBON R	RN72K1J-562JE	1	435035624R1
R8643	C-CARBON R	RN72K1J-562JE	1	435035624R1
R8662	C-CARBON R	RN72K1J-105JE	1	435031054R1
R8937	C-CARBON R	RN72K1J-103JE	1	435031034R1
R8952	C-CARBON R	RN72K1J-470JE	1	435034704R1
R8953	C-CARBON R	RN72K1J-470JE	1	435034704R1
R8954	C-CARBON R	RN72K1J-470JE	1	435034704R1
R8956	C-CARBON R	RN72K1J-821JE	1	435038214R1
R8957	C-CARBON R	RN72K1J-152JE	1	435031524R1
R8960	C-CARBON R	RN72K1J-102JE	1	435031024R1
R8961	C-CARBON R	RN72K1J-102JE	1	435031024R1
R8962	C-CARBON R	RN72K1J-102JE	1	435031024R1
R8964	C-CARBON R	RN72K1J-821JE	1	435038214R1
R8965	C-CARBON R	RN72K1J-152JE	1	435031524R1
R8966	C-CARBON R	RN72K1J-152JE	1	435031524R1
R8968	C-CARBON R	RN72K1J-102JE	1	435031024R1
R8969	C-CARBON R	RN72K1J-102JE	1	435031024R1
R8970	C-CARBON R	RN72K1J-102JE	1	435031024R1
R8975	C-CARBON R	RN72K1J-473JE	1	435034734R1
JL8002B	WIRE TRAP	NPLG-5P588	1	25055626
P1003B	PLUG	IMSA-9142B-14A	1	25056597
P1004B	SOCKET	IMSA-9111S-24L	1	25053259
P1005B	PLUG	IMSA-9142B-20A	1	25056600
P4104A	SOCKET	NSCT-11P2104	1	25052207
P4104A or	SOCKET	NSCT-11P1605	(1)	25051818
P8005A	TRM(SCREW)	NEJITANSI M3	1	25065425
P8006	HOLDER	HOLDER(CLAMP)	1	27190540-1
P8101	SOCKET	YKF45-7037V	1	25053253R3
P8121	SOCKET	YKF45-7037V	1	25053253R3
P8141	SOCKET	YKF45-7037V	1	25053253R3
P8301	SOCKET	YKF45-7037V	1	25053253R3
P8302	SOCKET	YKF45-7037V	1	25053253R3
P8704	SOCKET	04FMN-SMT-A-TF	1	25052821R2

TX-SR706/SA706

PC BOARD PARTS LIST

U21	DISPLAY PC BOARD(NADIS-9515-1A)
U22	SWITCH PC BOARD(NASW-9516-1A)
U23	HEADPHONE PC BOARD(NAETC-9517-1A)
U24	OPT TERMINAL PC BOARD(NAETC-9518-1A)
U25	DISPLAY PC BOARD(NAETC-9519-1A)
U26	POWER SUPPLY PC BOARD(NAPS-9520-1A)
U27	HOLDER PC BOARD(NAETC-9521-1A)
U28	HOLDER PC BOARD(NAETC-9522-1A)

CIRCUIT NO.	PART NAME	DESCRIPTION	Q'TY	PART NO. (SN)	REMARKS
U7520	PHT CP	GP1FAV51RK0F	1	24120129	
U7560	REMO SENS	NJL34H380A	1	241365	
Q7500	FL TUBE	HNA-16SL04T	1	212266	
Q7501	IC	M66005-0001AHP	1	22242208R3	
Q7502	IC	M66005-0001AHP	1	22242208R3	
Q7503	TR	KTC3198-GR	1	2215985T	
Q7503 or	TR	2SC1815-GR	(1)	2211255T	
Q7504	TR	KTC3198-GR	1	2215985T	
Q7504 or	TR	2SC1815-GR	(1)	2211255T	
Q7520	IC	NJM4580D-D	1	22241112	
Q7530	IC	NJM4580D-D	1	22241112	
Q7532	TR	RN1241-A(TPE4_F)	1	2213631T	
Q7532 or	TR	RN1241-B	(1)	2213632T	
Q7533	TR	KRA103M	1	2215780T	
Q7533 or	TR	DTA124ES	(1)	2212600T	
Q7533 or	TR	RN2203	(1)	2213580T	
Q7591	TR	KRC105M	1	2215830T	
Q7591 or	TR	DTC123JS	(1)	2213640T	
Q7591 or	TR	RN1205	(1)	2214660T	
Q7593	TR	KRC105M	1	2215830T	
Q7593 or	TR	DTC123JS	(1)	2213640T	
Q7593 or	TR	RN1205	(1)	2214660T	
Q7597	TR	KRC105M	1	2215830T	
Q7597 or	TR	DTC123JS	(1)	2213640T	
Q7597 or	TR	RN1205	(1)	2214660T	
Q7598	TR	KRC105M	1	2215830T	
Q7598 or	TR	DTC123JS	(1)	2213640T	
Q7598 or	TR	RN1205	(1)	2214660T	
Q7801	TR	2SC2235-O(TPE6_F)	1	2211653T	
Q7801 or	TR	2SC2235-Y(TPE6_F)	(1)	2211654T	
D7500	ZENER D	MTZJ10B	1	224471002T	
D7520	DIODE	1SS133	1	223163T	
D7521	DIODE	1SS133	1	223163T	
D7522	DIODE	1SS133	1	223163T	
D7523	DIODE	1SS133	1	223163T	
D7530	ZENER D	MTZJ5.1B	1	224470512T	
D7531	DIODE	1SS133	1	223163T	
D7532	DIODE	1SS133	1	223163T	
D7560	DIODE	1SS133	1	223163T	
D7561	DIODE	1SS133	1	223163T	
D7570	SPCF D	SIR-34ST3F	1	225456	
D7590	LED	SDPB3DD0C0000-ABCDEF	1	225473	
D7591	LED	SDPB3DD0C0000-ABCDEF	1	225473	
D7593	LED	SLR-342MGTE7P	1	225455T	
D7595	LED	SLI-343URC-TE7	1	225449T	
D7806	ZENER D	MTZJ22B	1	224472202T	
D7810	ZENER D	MTZJ24B	1	224472402T	
D7812	DIODE	RL1N4003	1	22380260T	
D7813	DIODE	RL1N4003	1	22380260T	
D7814	DIODE	RL1N4003	1	22380260T	
D7815	DIODE	RL1N4003	1	22380260T	

D7816	DIODE	RL1N4003	1	22380260T
L7500	CHOKE COIL	NCH-1561 022K	1	233526K022T
L7520	CHOKE COIL	NCH-1561 022K	1	233526K022T
L7530	CHOKE COIL	NCH-1561 022K	1	233526K022T
L7580	CHOKE COIL	NCH-1561 022K	1	233526K022T
L7581	CHOKE COIL	NCH-1561 022K	1	233526K022T
L7582	CHOKE COIL	NCH-1561 022K	1	233526K022T
C7501	CERA C	CK45F50V-223Z	1	335622230T
C7502	CERA C	CK45F50V-223Z	1	335622230T
C7503	CERA C	CK45F50V-223Z	1	335622230T
C7504	CERA C	CK45F50V-223Z	1	335622230T
C7505	CERA C	CK45F50V-223Z	1	335622230T
C7506	VR C	CE04W50V-47M(VR)	1	394684707T
C7507	MMT C	MMT50V-104J	1	375521044T
C7508	MMT C	MMT50V-473J	1	375524734T
C7511	MMT C	MMT50V-104J	1	375521044T
C7512	CERA C	CC45SL50V-150J	1	345021504T
C7513	MMT C	MMT50V-104J	1	375521044T
C7514	MMT C	MMT50V-104J	1	375521044T
C7518	MMT C	MMT50V-104J	1	375521044T
C7519	MMT C	MMT50V-104J	1	375521044T
C7520	TF C	ECQ-B50V-223J	1	374722234T
C7521	VR C	CE04W16V-100M(VR)	1	394641017T
C7522	TF C	ECQ-B50V-221K	1	374722215T
C7523	TF C	ECQ-B50V-221K	1	374722215T
C7524	TF C	ECQ-B50V-102J	1	374721024T
C7530	TF C	ECQ-B50V-102J	1	374721024T
C7533	VR C	CE04W35V-47M(VR)	1	394664707T
C7534	VR C	CE04W35V-47M(VR)	1	394664707T
C7535	UTSP C	CE04W50V-10M(UTSP)	1	397581007T
C7536	TF C	ECQ-B50V-101K	1	374721015T
C7537	CERA C	CC45SL50V-330J	1	345023304T
C7538	UTSP C	CE04W50V-10M(UTSP)	1	397581007T
C7539	UTSP C	CE04W50V-10M(UTSP)	1	397581007T
C7540	UTSP C	CE04W50V-10M(UTSP)	1	397581007T
C7543	TF C	ECQ-B50V-102J	1	374721024T
C7560	ELECT C	CE04W6.3V-220M	1	355722219T
C7561	CERA C	CK45B50V-102K	1	335321025T
C7562	TF C	ECQ-B50V-102J	1	374721024T
C7580	CERA C	CK45B50V-102K	1	335321025T
C7581	CERA C	CK45B50V-102K	1	335321025T
C7582	CERA C	CK45B50V-102K	1	335321025T
C7583	CERA C	CK45B50V-102K	1	335321025T
C7590	CERA C	CK45F50V-103Z	1	335621030T
C7591	CERA C	CK45F50V-103Z	1	335621030T
C7804	VR C	CE04W63V-470M(VR)	1	394674717S
C7805	VR C	CE04W63V-47M(VR)	1	394674707T
C7806	CERA C	CK45F50V-223Z	1	335622230T
C7900	MMT C	MMT50V-104J	1	375521044T
R7500	CARBON R	R16J-220	1	417342214T
R7501	CARBON R	R16J-220	1	417342214T
R7502	CARBON R	R16J-27K	1	417342734T
R7503	CARBON R	R16J-2.2K	1	417342224T

R7504	CARBON R	R16J-2.2K	1	417342224T
R7505	CARBON R	R16J-2.2K	1	417342224T
R7506	CARBON R	R16J-2.2K	1	417342224T
R7507	CARBON R	R16J-2.2K	1	417342224T
R7508	CARBON R	R16J-2.2K	1	417342224T
R7509	CARBON R	R16J-2.2K	1	417342224T
R7510	CARBON R	R16J-2.2K	1	417342224T
R7520	CARBON R	R16J-47	1	417344704T
R7521	CARBON R	R16J-330	1	417343314T
R7522	CARBON R	R16J-330	1	417343314T
R7523	CARBON R	R16J-75	1	417347504T
R7524	CARBON R	R16J-75	1	417347504T
R7525	CARBON R	R16J-75	1	417347504T
R7526	CARBON R	R16J-22K	1	417342234T
R7527	CARBON R	R16J-22K	1	417342234T
R7528	CARBON R	R16J-220K	1	417342244T
R7529	CARBON R	R16J-220K	1	417342244T
R7530	CARBON R	R16J-4.7K	1	417344724T
R7531	CARBON R	R16J-100	1	417341014T
R7532	CARBON R	R16J-330	1	417343314T
R7533	CARBON R	R16J-1.8K	1	417341824T
R7534	CARBON R	R16J-100K	1	417341044T
R7535	CARBON R	R16J-1K	1	417341024T
R7536	CARBON R	R16J-33K	1	417343334T
R7537	CARBON R	R16J-33K	1	417343334T
R7538	CARBON R	R16J-220	1	417342214T
R7539	CARBON R	R16J-220	1	417342214T
R7540	CARBON R	R16J-47K	1	417344734T
R7560	CARBON R	R16J-1K	1	417341024T
R7561	CARBON R	R16J-100	1	417341014T
R7580	METAL O R	RS1WBJ-33	1	443623304T
R7581	METAL O R	RS1WBJ-33	1	443623304T
R7590	CARBON R	R16J-10K	1	417341034T
R7591	CARBON R	R16J-10K	1	417341034T
R7592	CARBON R	R16J-10K	1	417341034T
R7593	CARBON R	R16J-10K	1	417341034T
R7594	CARBON R	R16J-120	1	417341214T
R7595	CARBON R	R16J-120	1	417341214T
R7597	CARBON R	R16J-180	1	417341814T
R7599	CARBON R	R16J-680	1	417346814T
R7611	CARBON R	R16J-270	1	417342714T
R7612	CARBON R	R16J-330	1	417343314T
R7613	CARBON R	R16J-470	1	417344714T
R7614	CARBON R	R16J-560	1	417345614T
R7615	CARBON R	R16J-820	1	417348214T
R7616	CARBON R	R16J-1.2K	1	417341224T
R7617	CARBON R	R16J-2.2K	1	417342224T
R7618	CARBON R	R16J-3.9K	1	417343924T
R7621	CARBON R	R16J-270	1	417342714T
R7622	CARBON R	R16J-330	1	417343314T
R7623	CARBON R	R16J-470	1	417344714T
R7624	CARBON R	R16J-560	1	417345614T
R7625	CARBON R	R16J-820	1	417348214T

R7626	CARBON R	R16J-1.2K	1	417341224T
R7627	CARBON R	R16J-2.2K	1	417342224T
R7628	CARBON R	R16J-3.9K	1	417343924T
R7629	CARBON R	R16J-12K	1	417341234T
R7631	CARBON R	R16J-270	1	417342714T
R7632	CARBON R	R16J-330	1	417343314T
R7633	CARBON R	R16J-470	1	417344714T
R7634	CARBON R	R16J-560	1	417345614T
R7635	CARBON R	R16J-820	1	417348214T
R7636	CARBON R	R16J-1.2K	1	417341224T
R7637	CARBON R	R16J-2.2K	1	417342224T
R7638	CARBON R	R16J-3.9K	1	417343924T
R7639	CARBON R	R16J-12K	1	417341234T
R7641	CARBON R	R16J-270	1	417342714T
R7642	CARBON R	R16J-330	1	417343314T
R7643	CARBON R	R16J-470	1	417344714T
R7644	CARBON R	R16J-560	1	417345614T
R7645	CARBON R	R16J-820	1	417348214T
R7646	CARBON R	R16J-1.2K	1	417341224T
R7647	CARBON R	R16J-2.2K	1	417342224T
R7648	CARBON R	R16J-3.9K	1	417343924T
R7802	CARBON R	R16J-10K	1	417341034T
R7804	METAL O R	RS1/2WBJ-10	1	443521004T
R7805	CARBON R	R16J-5.6K	1	417345624T
R7807	CARBON R	R16J-33K	1	417343334T
R7808	METAL R	RNU1/2WCJ-1	1	453530104T
R7810	METAL O R	RS1WBJ-22	1	443622204T
R7939	CARBON R	R16J-220K	1	417342244T
R7954	CARBON R	R16J-220K	1	417342244T
E7530	RETAINER	(S)	1	27142074
E7580	TRM(SCREW)	NEJITANSI M3	1	25065425
JL4103B	WIRE HOL	NSCT-5P896	1	25051109
JL7560A	WIRE HOL	NSCT-3P874	1	25051087
JL7560B	WIRE HOL	NSCT-3P874	1	25051087
JL7590A	WIRE HOL	NSCT-9P880	1	25051093
JL7590B	WIRE HOL	NSCT-9P880	1	25051093
JL7803A	SOCKET	NSCT-5P97	1	25050269
JL7803B	WIRE HOL	NSCT-5P896	1	25051109
P7303A	PLUG	NPLG-2P130	1	25055146
P7303B	SOCKET AS	NSAS-4P0867	1	2002E390415
P7501B	SOCKET	NSCT-40P2170	1	25052273
P7522	PIN JACK	NPJ-7PDB477	1	25045680
P7530	ST JACK	MSJ-035-05C B AG SR type	1	25045879
P7580	ST JACK	MSJ-064-05A SR	1	25045783
P7580 or	ST JACK	YKB21-5005	(1)	25045724
P7610	HOLDER	(FL)	1	27191303
P9301A	PLUG	NPLG-6P120	1	25055136
S7590	R ENCODE	EC12E2425WITH WASHER	1	25065655W
S7611	PUSH SW	NPS-111-S681	1	25035718T
S7611 or	PUSH SW	NPS-111-S677	(1)	25035714T
S7612	PUSH SW	NPS-111-S681	1	25035718T
S7612 or	PUSH SW	NPS-111-S677	(1)	25035714T
S7613	PUSH SW	NPS-111-S681	1	25035718T

S7613 or	PUSH SW	NPS-111-S677	(1)	25035714T
S7614	PUSH SW	NPS-111-S681	1	25035718T
S7614 or	PUSH SW	NPS-111-S677	(1)	25035714T
S7616	PUSH SW	NPS-111-S681	1	25035718T
S7616 or	PUSH SW	NPS-111-S677	(1)	25035714T
S7618	PUSH SW	NPS-111-S681	1	25035718T
S7618 or	PUSH SW	NPS-111-S677	(1)	25035714T
S7619	PUSH SW	NPS-111-S681	1	25035718T
S7619 or	PUSH SW	NPS-111-S677	(1)	25035714T
S7621	PUSH SW	NPS-111-S681	1	25035718T
S7621 or	PUSH SW	NPS-111-S677	(1)	25035714T
S7622	PUSH SW	NPS-111-S681	1	25035718T
S7622 or	PUSH SW	NPS-111-S677	(1)	25035714T
S7623	PUSH SW	NPS-111-S681	1	25035718T
S7623 or	PUSH SW	NPS-111-S677	(1)	25035714T
S7624	PUSH SW	NPS-111-S681	1	25035718T
S7624 or	PUSH SW	NPS-111-S677	(1)	25035714T
S7625	PUSH SW	NPS-111-S681	1	25035718T
S7625 or	PUSH SW	NPS-111-S677	(1)	25035714T
S7626	PUSH SW	NPS-111-S681	1	25035718T
S7626 or	PUSH SW	NPS-111-S677	(1)	25035714T
S7627	PUSH SW	NPS-111-S681	1	25035718T
S7627 or	PUSH SW	NPS-111-S677	(1)	25035714T
S7628	PUSH SW	NPS-111-S681	1	25035718T
S7628 or	PUSH SW	NPS-111-S677	(1)	25035714T
S7630	PUSH SW	NPS-111-S681	1	25035718T
S7630 or	PUSH SW	NPS-111-S677	(1)	25035714T
S7631	PUSH SW	NPS-111-S681	1	25035718T
S7631 or	PUSH SW	NPS-111-S677	(1)	25035714T
S7632	PUSH SW	NPS-111-S681	1	25035718T
S7632 or	PUSH SW	NPS-111-S677	(1)	25035714T
S7633	PUSH SW	NPS-111-S681	1	25035718T
S7633 or	PUSH SW	NPS-111-S677	(1)	25035714T
S7634	PUSH SW	NPS-111-S681	1	25035718T
S7634 or	PUSH SW	NPS-111-S677	(1)	25035714T
S7635	PUSH SW	NPS-111-S681	1	25035718T
S7635 or	PUSH SW	NPS-111-S677	(1)	25035714T
S7636	PUSH SW	NPS-111-S681	1	25035718T
S7636 or	PUSH SW	NPS-111-S677	(1)	25035714T
S7637	PUSH SW	NPS-111-S681	1	25035718T
S7637 or	PUSH SW	NPS-111-S677	(1)	25035714T
S7638	PUSH SW	NPS-111-S681	1	25035718T
S7638 or	PUSH SW	NPS-111-S677	(1)	25035714T
S7640	PUSH SW	NPS-111-S681	1	25035718T
S7640 or	PUSH SW	NPS-111-S677	(1)	25035714T
S7641	PUSH SW	NPS-111-S681	1	25035718T
S7641 or	PUSH SW	NPS-111-S677	(1)	25035714T
S7642	PUSH SW	NPS-111-S681	1	25035718T
S7642 or	PUSH SW	NPS-111-S677	(1)	25035714T
S7643	PUSH SW	NPS-111-S681	1	25035718T
S7643 or	PUSH SW	NPS-111-S677	(1)	25035714T
S7644	PUSH SW	NPS-111-S681	1	25035718T
S7644 or	PUSH SW	NPS-111-S677	(1)	25035714T

S7645	PUSH SW	NPS-111-S681	1	25035718T
S7645 or	PUSH SW	NPS-111-S677	(1)	25035714T
S7646	PUSH SW	NPS-111-S681	1	25035718T
S7646 or	PUSH SW	NPS-111-S677	(1)	25035714T
S7647	PUSH SW	NPS-111-S681	1	25035718T
S7647 or	PUSH SW	NPS-111-S677	(1)	25035714T
S7648	PUSH SW	NPS-111-S681	1	25035718T
S7648 or	PUSH SW	NPS-111-S677	(1)	25035714T
S7649	PUSH SW	NPS-111-S681	1	25035718T
S7649 or	PUSH SW	NPS-111-S677	(1)	25035714T

TX-SR706/SA706

PACKING PROCEDURE PARTS LIST

REF. NO.	PART NAME	DESCRIPTION	Q'TY	PART NO. (SN)	REMARKS
A611	CARTON	706MDC	1	29054867A	<DC, DD>
A611	CARTON	706MMA	1	29054868A	<DT, MP, MA, MO, MT, MQ>
A611	CARTON	706MMR	1	29054893A	<SA706>
A633	PAD	(AS)	1	29092364A	
A673	SHEET	(PAD)	1	29096065A	
A681	POLY BAG	w850xd650	1	29100245	
A685	PP TAPE	W50 SBT-70	1	29110200	
A689	TAPE	(SEROHAN)NITTO NO.29	1	29110149	
A700	LABEL	(CHINA)	1	29390395	<SA706>
A701a	LABEL	(SERIAL)	1	29390334	<DC>
A701a	LABEL	(SERIAL)	1	29390335	<DD>
A701a	LABEL	(SERIAL)	1	29390336	(B)<MP>
A701a	LABEL	(SERIAL)	1	29390337	(S)<MP>
A701a	LABEL	(SERIAL)	1	29390338	(B)<MA>
A701a	LABEL	(SERIAL)	1	29390339	(S)<MA>
A701a	LABEL	(SERIAL)	1	29390340	(B)<MO>
A701a	LABEL	(SERIAL)	1	29390341	(S)<MO>
A701a	LABEL	(SERIAL)	1	29390342	<MT>
A701a	LABEL	(SERIAL)	1	29390343	<DT>
A701a	LABEL	(SERIAL)	1	29390344	<MQ>
A701a	EAN LABEL	TXSA706	1	29390345	<SA706>
A702	LABEL	(GW)(15.9kg)	1	29390659	<MT, MO>
A715	LABEL	(APV)	1	29390190	<SA706>
A802	HANDBILL	(DS-A2X)US	1	29380150	<DC, DD>
A802	HANDBILL	(DS-A2X)EU	1	29380151	<MP>
A802	HANDBILL	(DS-A2X)AUS	1	29380152	<MA>
A805	INST SHEET	En(XM RADIO)	1	29355602	<DC, DD>
A806	HANDBILL	(SIRIUS)	1	29380149	<DC, DD>
A808	LABEL	(SPCABLE)	1	29390189	
A810	BATTERY	R6/AA(UM-3)	2	3010194	
A810 or	BATTERY	R6/AA(UM-3)	(2)	3010054	
A815	ANT COIL	NMA-3057	1	232140	<SR706>
A816	FM ANT AS	Type W	1	292191	<SR706>
A817	MIC	MIC-7000	1	245044	
A819	POLY BAG	D250xd300xW300(t0.04)	1	29100256A	
A821	REMO CON	RC-717M	1	24140717	
A830	WRNTY CARD	(ONKYO)	1	29365135	<DC, DD>

A830	WRNTY CARD	MGQ	1	29365099A	<MQ>
A830	WRNTY CARD	(ONKYO-CH)	1	29365098B	<SA706>
A859	INS MANUAL	U9(RC707/708/709/710/711)	1	29344636A	
A860	INS MANUAL	En(TX-SR706)	1	29344723	
A861	INS MANUAL	U2FrEs(TX-SR706)	1	29344724	<DC, MP>
A862	INS MANUAL	U2ItDe(TX-SR706)	1	29344725	<MP>
A863	INS MANUAL	U2NISv(TX-SR706)	1	29344726	<MP>
A864	INS MANUAL	Ct(TX-SR706)	1	29344727	<DT, MT, MQ>
A865	INS MANUAL	Cs(TX-SR706)	1	29344728	<SA706>
A866	INS MANUAL	Ar(TX-SR706)	1	29344729	<MO>
A867	INS MANUAL	En(QSS)(TX-SR706)	1	29344730	<DC>
A868	INS MANUAL	Cs(QSS)(TX-SR706)	1	29344731	<SA706>
A880	INS MANUAL	U3EnFrEs(XM/SIRIUS_706)	1	29344878	<DC, DD>
A884	INS MANUAL	(QC ImportantSheet)	1	29344267A	<MO>
A886	INST SHEET	En(606 RIHD)US	1	29355696	<DC, DD>
A887	INST SHEET	U2FrEs(606 RIHD)US	1	29355697	<DC>
A888	INST SHEET	U8FrEsItDeNISvCtCs(606 RIHD)	1	29355698	<DT, MP, MA, MO, MQ, MT, SA706>
A889	INST SHEET	En(606 RIHD)not US	1	29355699	<DT, MP, MA, MO, MQ, MT, SA706>
P902	CV PLUG	SCP-13A-BLK(UK)	1	25056591	!, <MO>
P901	AC CORD	AS-CEE-3	1	253298VOL	!, <MP, MO, MT>
P901	AC CORD	AS-CNS	1	253431VOL	!, <DT>
P901	AC CORD	AS-SAA	1	253391VOL	!, <MA>
P901	AC CORD	AS-BS	1	253425KAW	!, <MQ>
P901 or	AC CORD	AS-BS	(1)	253425YUN	!, <MQ>
P901	AC CORD	AS-CCC	1	253358VOL	!, <SA706>

ONKYO CORPORATION

Sales & Product Planning Div. : 2-1, Nisshin-cho, Neyagawa-shi, OSAKA 572-8540, JAPAN
Tel: 072-831-8023 Fax: 072-831-8124

ONKYO U.S.A. CORPORATION

18 Park Way, Upper Saddle River, N.J. 07458, U.S.A.
Tel: 201-785-2600 Fax: 201-785-2650 <http://www.us.onkyo.com/>

ONKYO EUROPE ELECTRONICS GmbH

Liegnitzerstrasse 6, 82194 Groebenzell, GERMANY
Tel: +49-8142-4401-0 Fax: +49-8142-4401-555 <http://www.eu.onkyo.com/>

ONKYO EUROPE UK Office

Suite 1, Gregories Court, Gregories Road, Beaconsfield, Buckinghamshire, HP9 1HQ
UNITED KINGDOM Tel: +44-(0)1494-681515 Fax: +44(0)-1494-680452

ONKYO CHINA LIMITED

Units 2102-2107, Metroplaza Tower I, 223 Hing Fong Road, Kwai Chung,
N.T., HONG KONG Tel: 852-2429-3118 Fax: 852-2428-9039
<http://www.ch.onkyo.com/>

