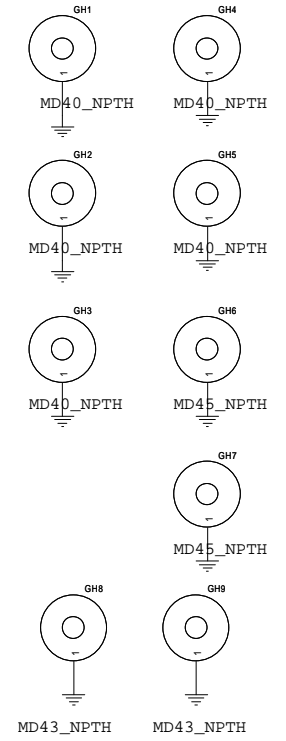


Normal / Mirror Setting Table

	Normal	Mirror
YDIOU	O	X
YDIOD	X	O
U_DF	H	L
U_DB	L	H

LVDSORD Setting Table

LORD_INV	LVDSORD	MODE
0	0	NS
0	1	JEIDA
1	1	NS
1	0	JEIDA



Close to J2

For Multi-Vcom

Close to J2

Close to J2, J3

Close to Tcon

Close to TCON

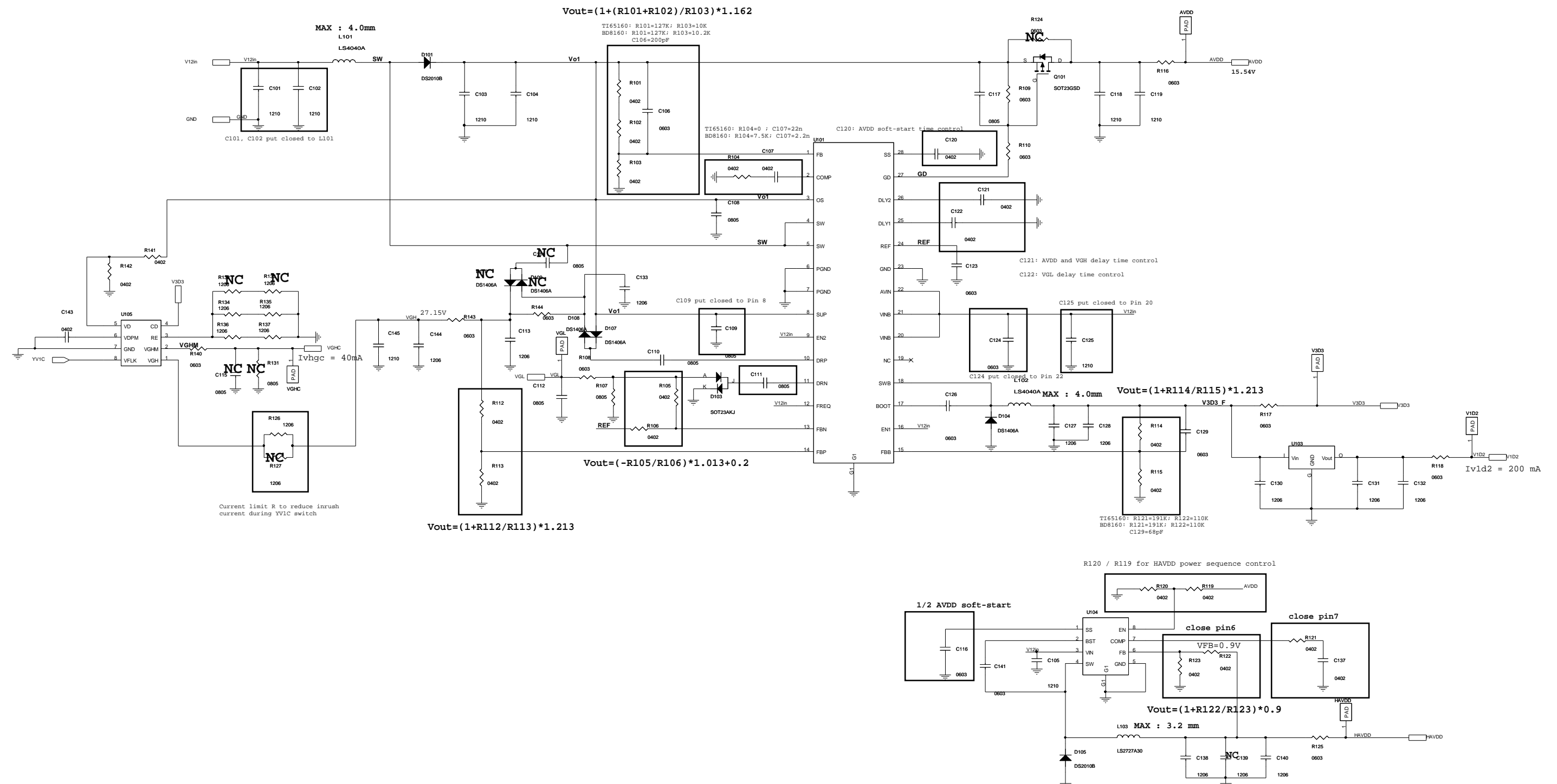
Close to J1

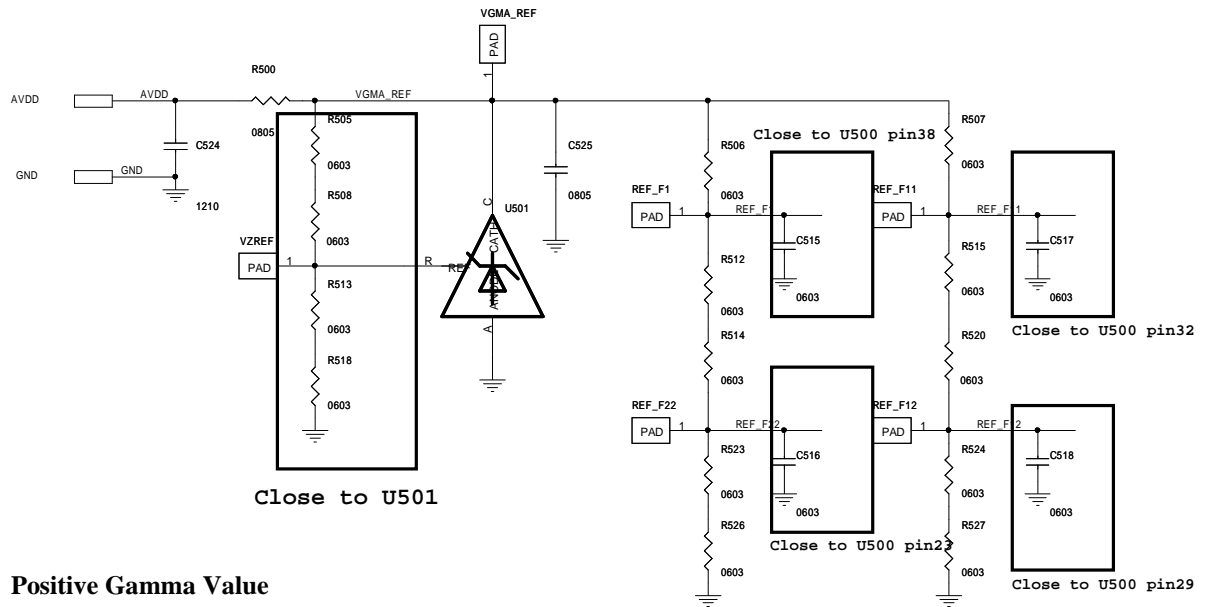
Close to J1

Inverse circuit

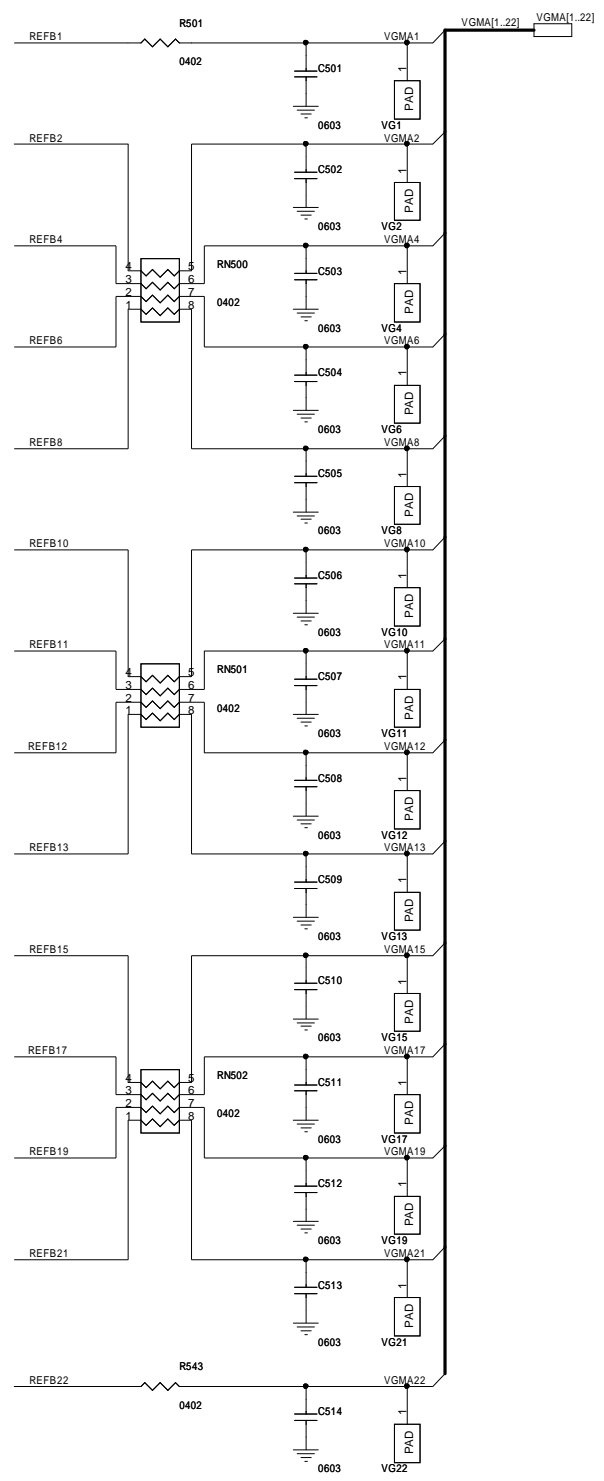
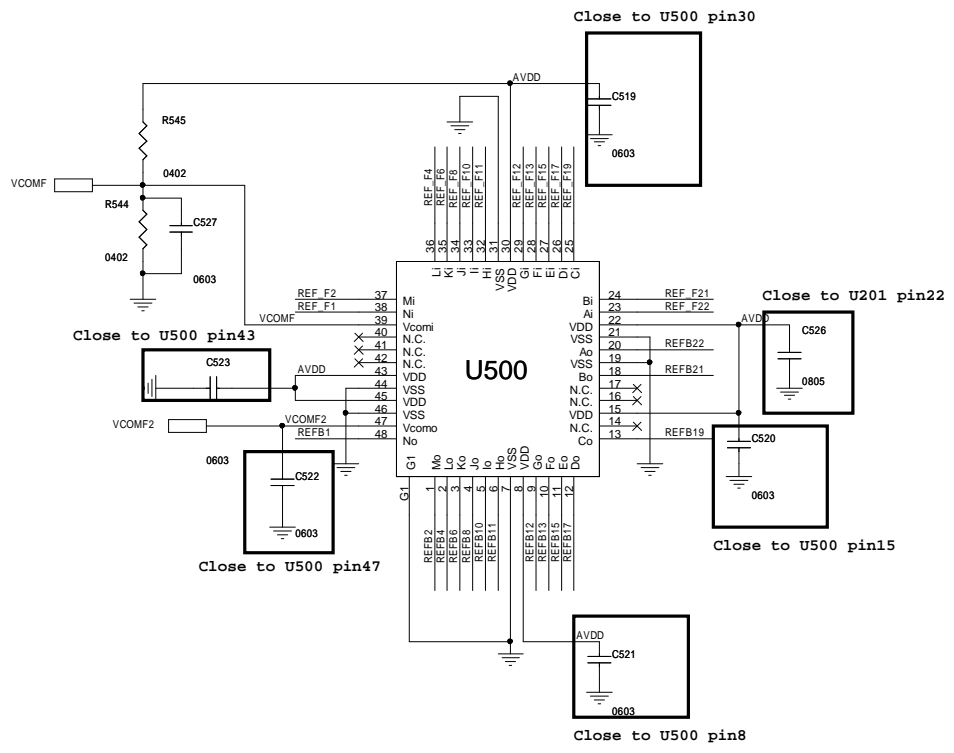
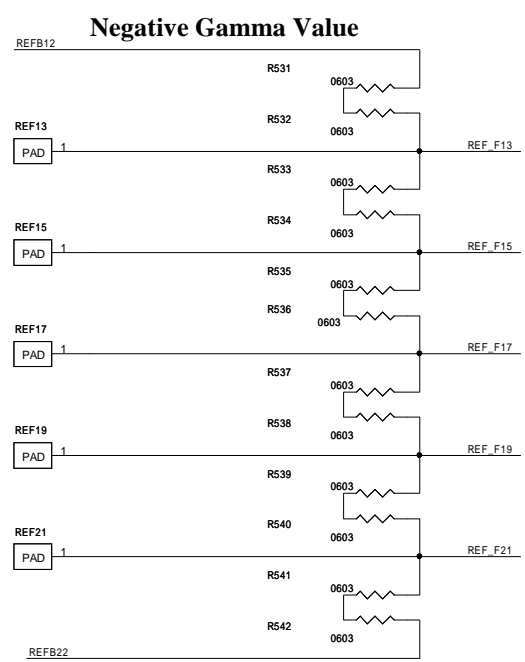
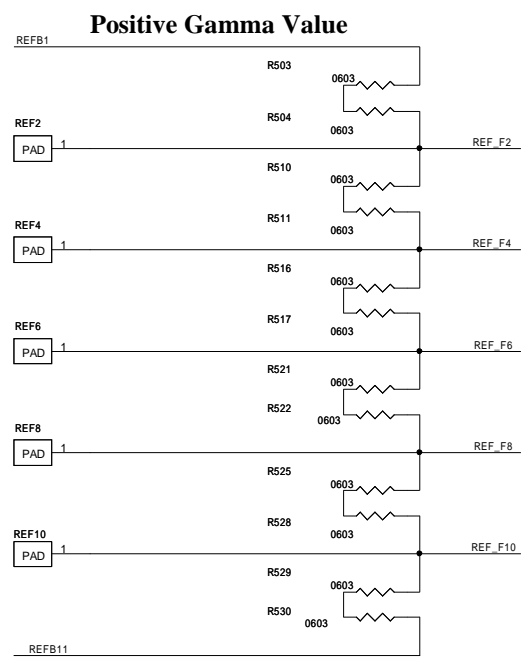
Close to U100

High Aging

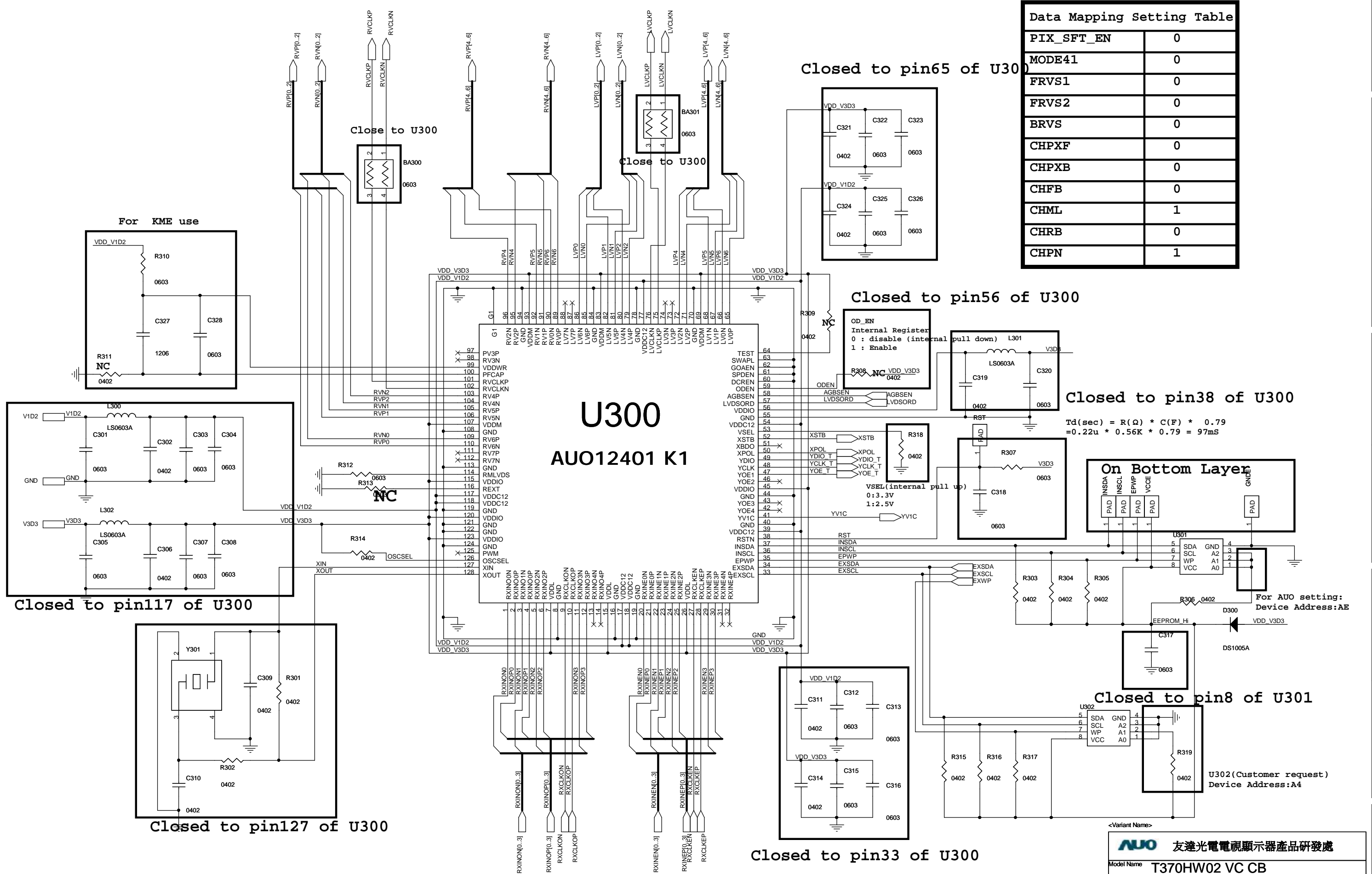




VG1 & VG22 => L255.
 VG2 & VG21 => L254
 VG4 & VG19 => L223
 VG6 & VG17 => L128
 VG8 & VG15 => L32
 VG10 & VG13 => L2
 VG11 & VG12 => L0



Data Mapping Setting Table	
PIX_SFT_EN	0
MODE41	0
FRVS1	0
FRVS2	0
BRVS	0
CHPXF	0
CHPXB	0
CHFB	0
CHML	1
CHRB	0
CHPN	1



<Variant Name>

AUO 友達光電電視顯示器產品研發處

Model Name: T370HW02 VC CB

Size: Custom Document Number: T-CON(12401 K1/B1) Rev: EC02

Date: Wednesday, October 01, 2008 Sheet: 4 of 4