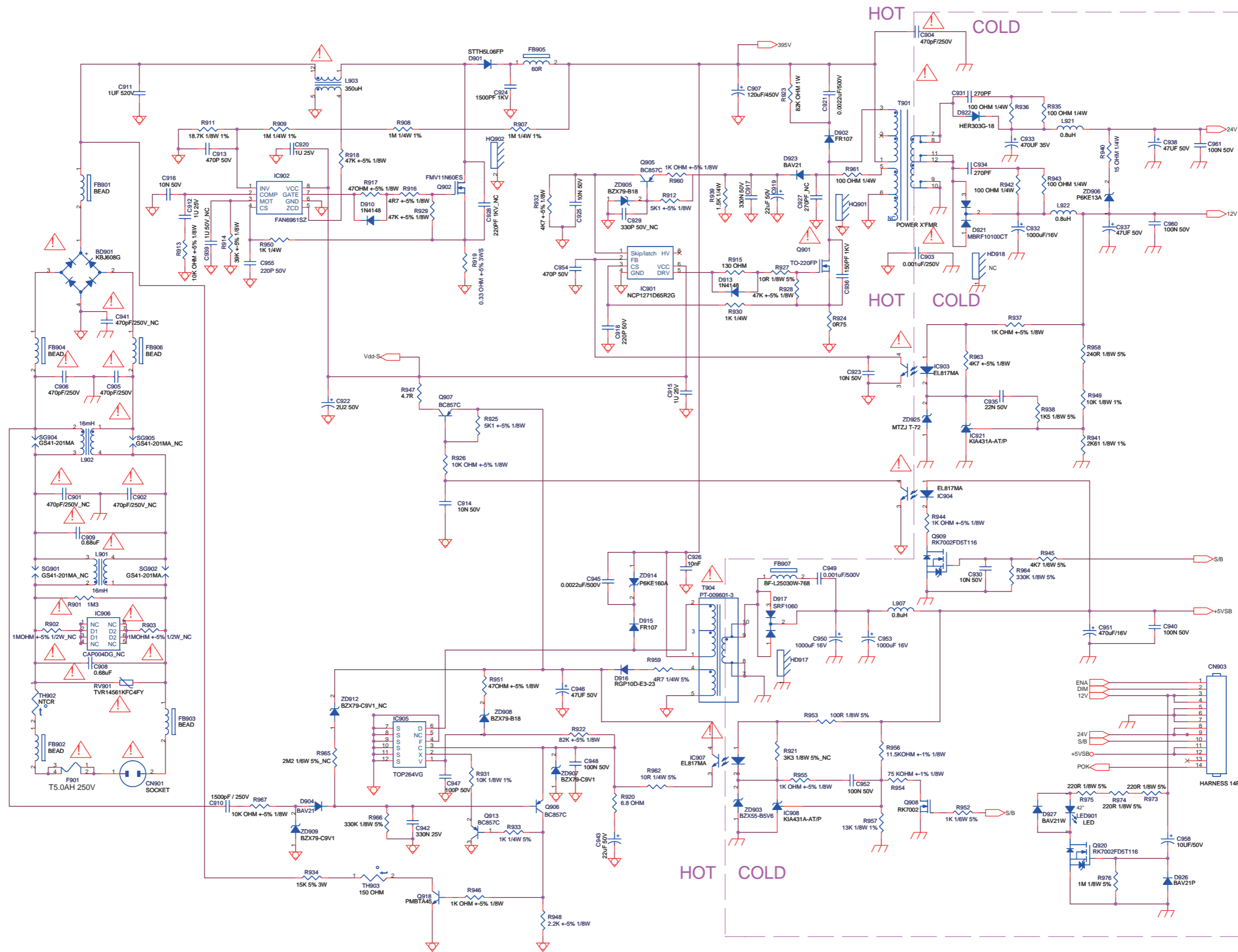
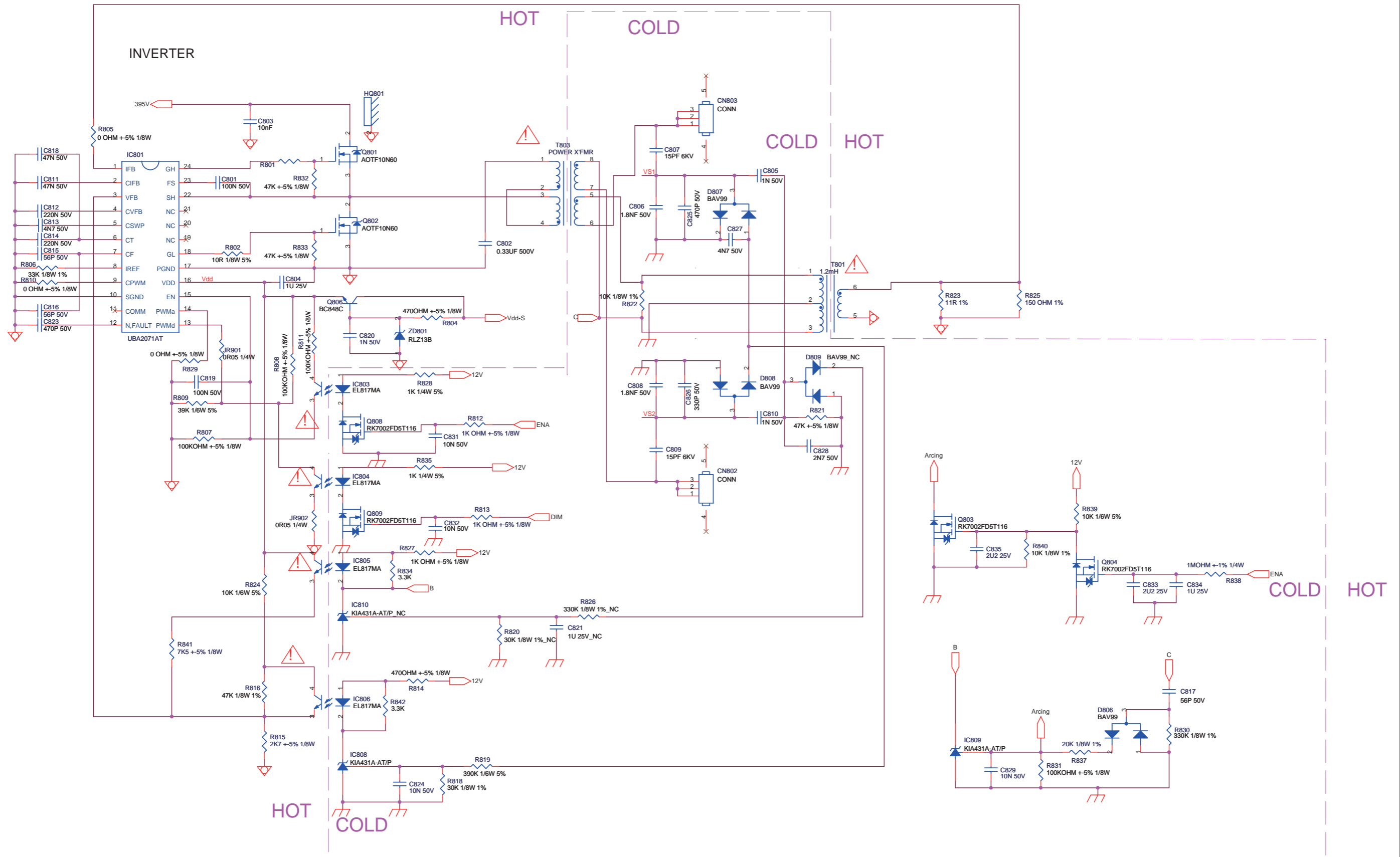


Power



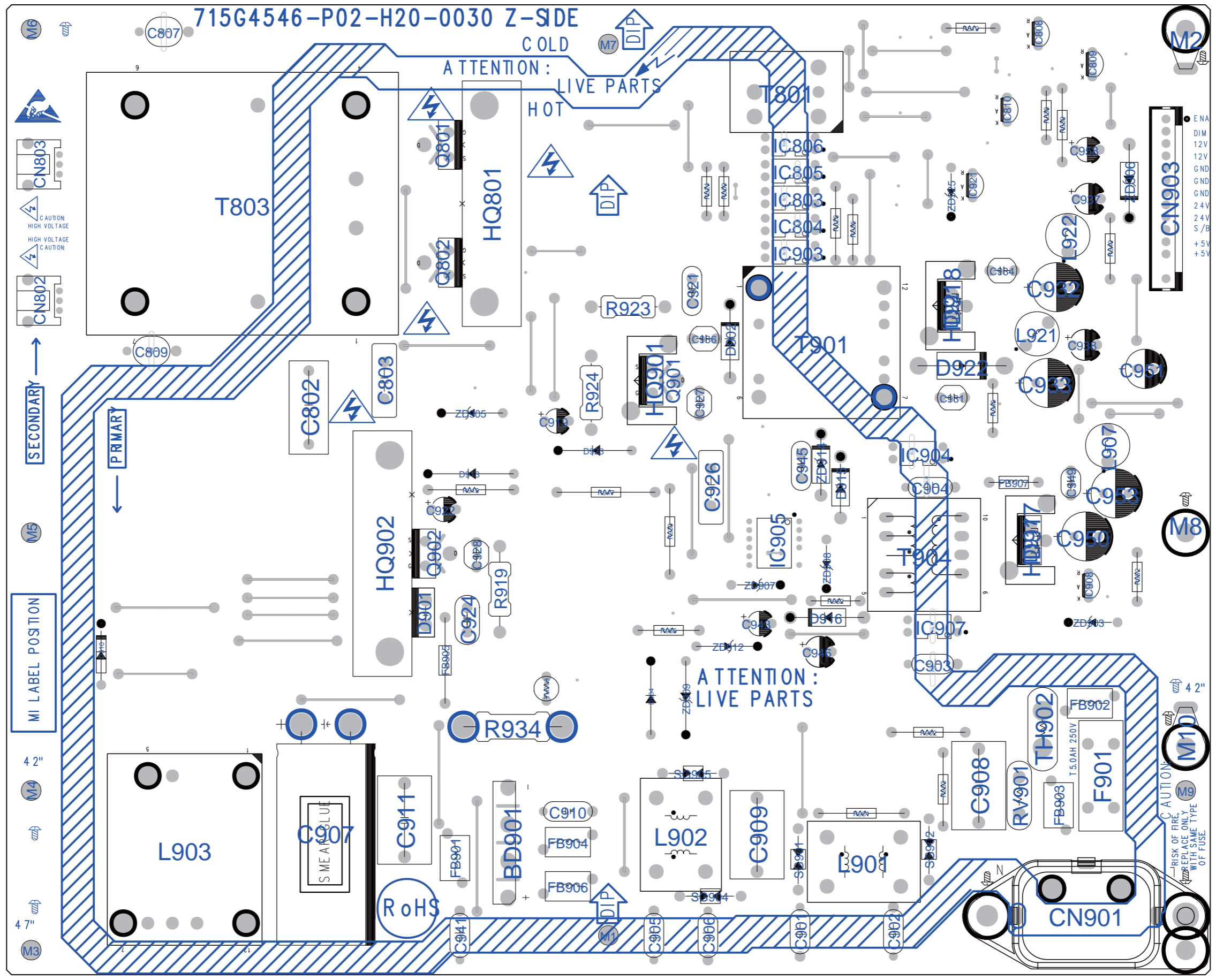
Power	715G4546	A	2011-04-12

Inverter



Inverter	715G4546	A	2011-04-12

715G4546-P02-H20-0030 Z-SIDE



E NA
DIM
12V
GND
GND
24V
24V
S/B
+5V
+5V

SECONDARY
PRIMARY

MI LABEL POSITION

4 2"
M4
4 7"
M3

CAUTION
RISK OF FIRE.
REPLACE ONLY
WITH SAME TYPE
OF FUSE.

Power layout top

715G4546