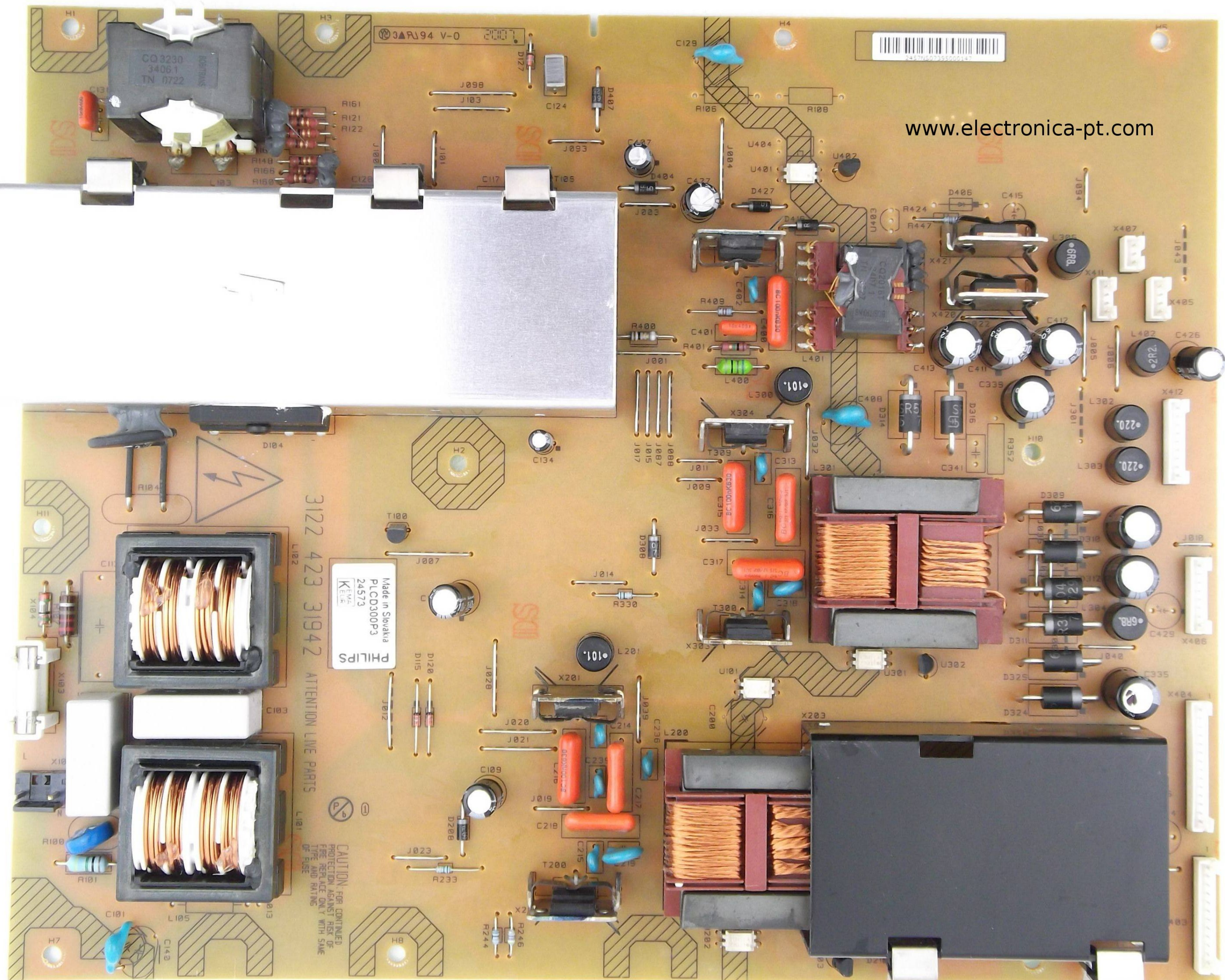
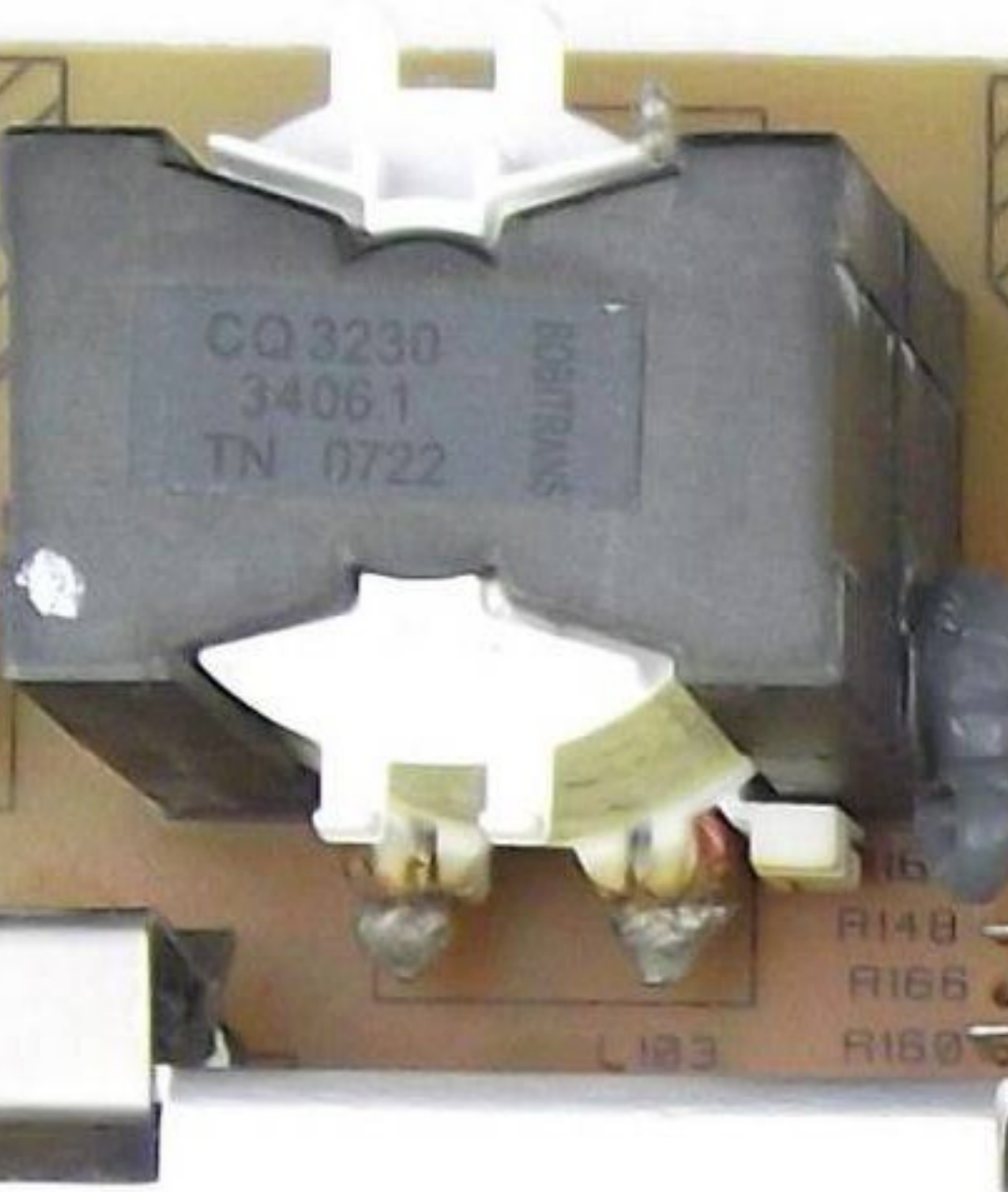
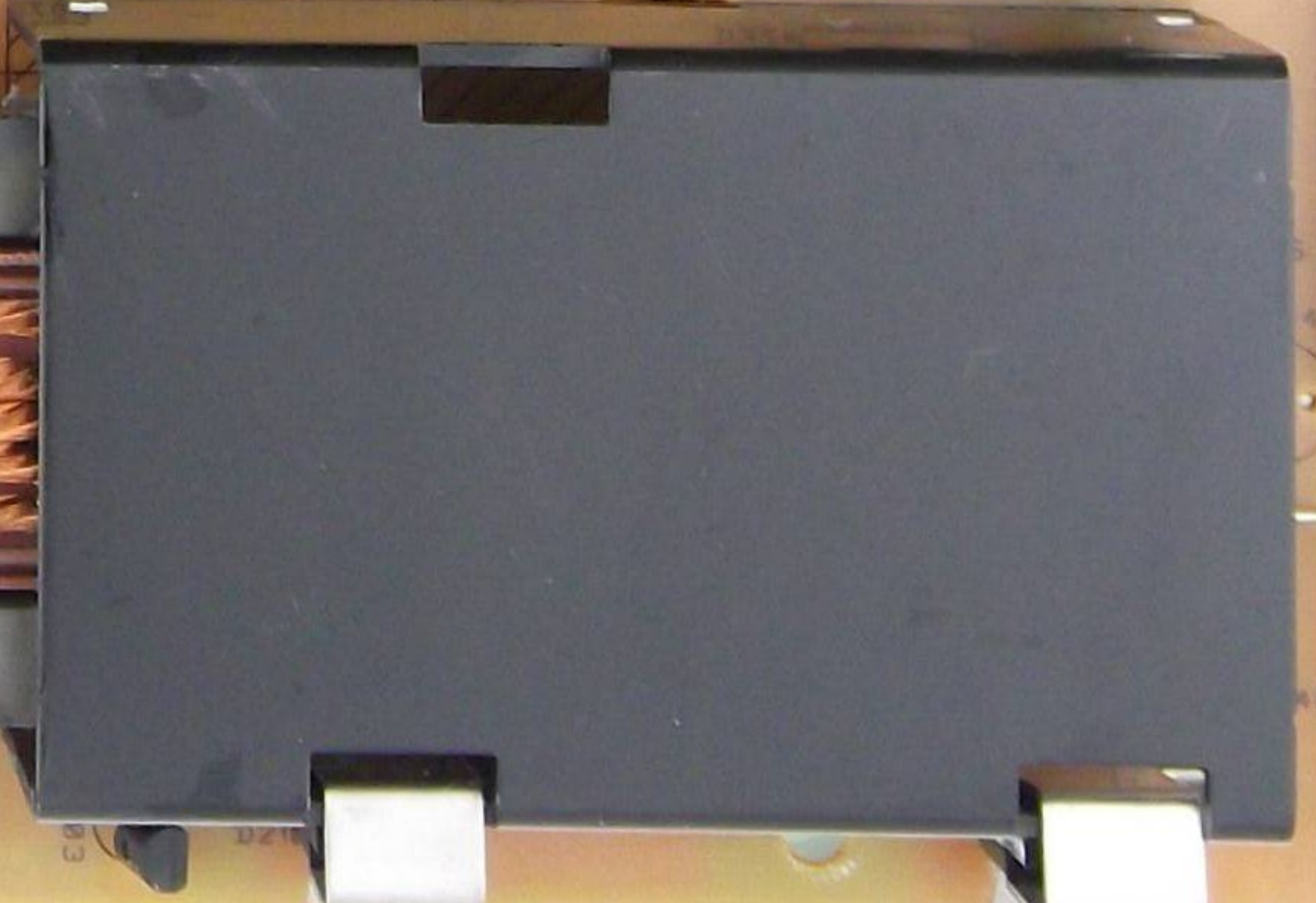
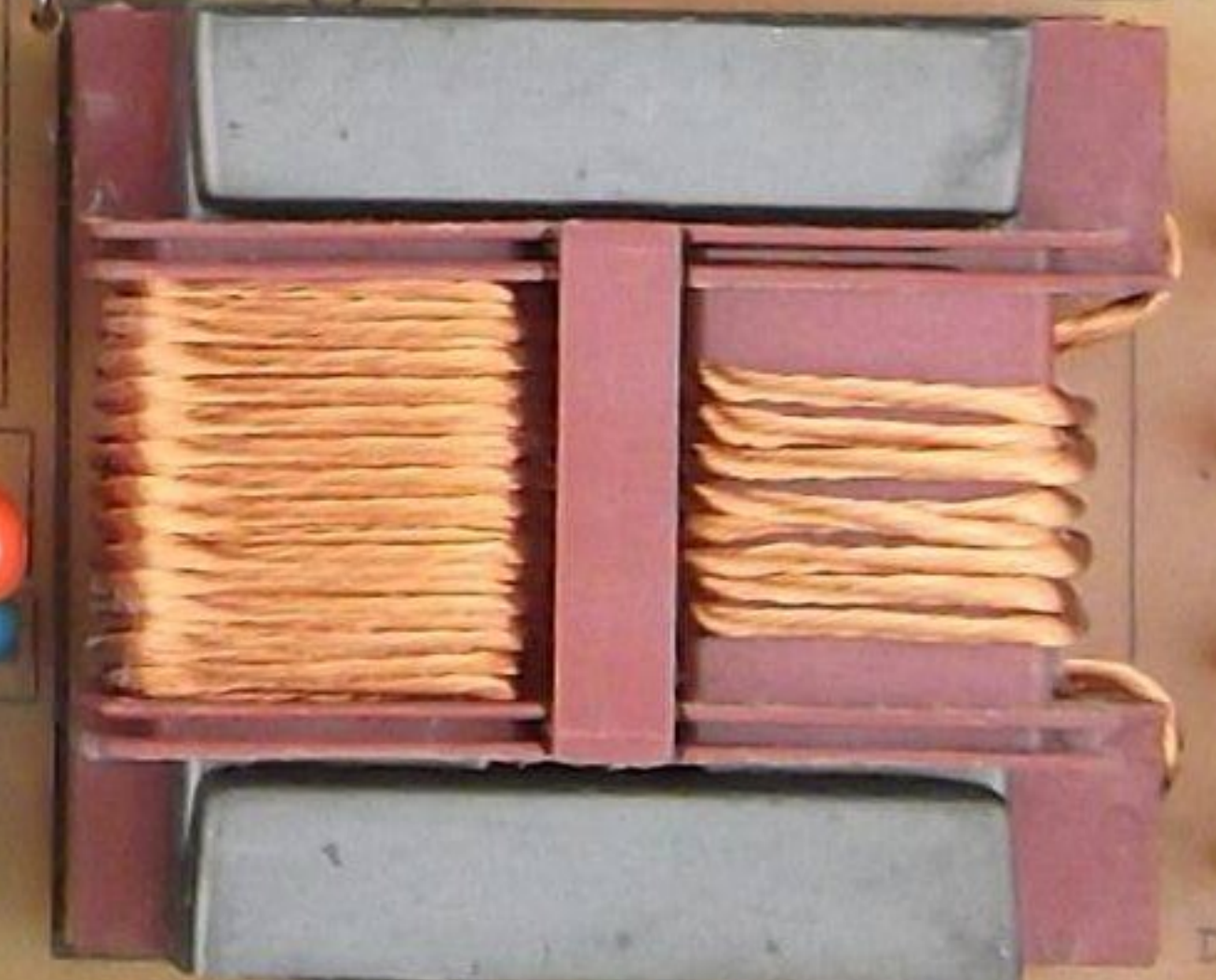


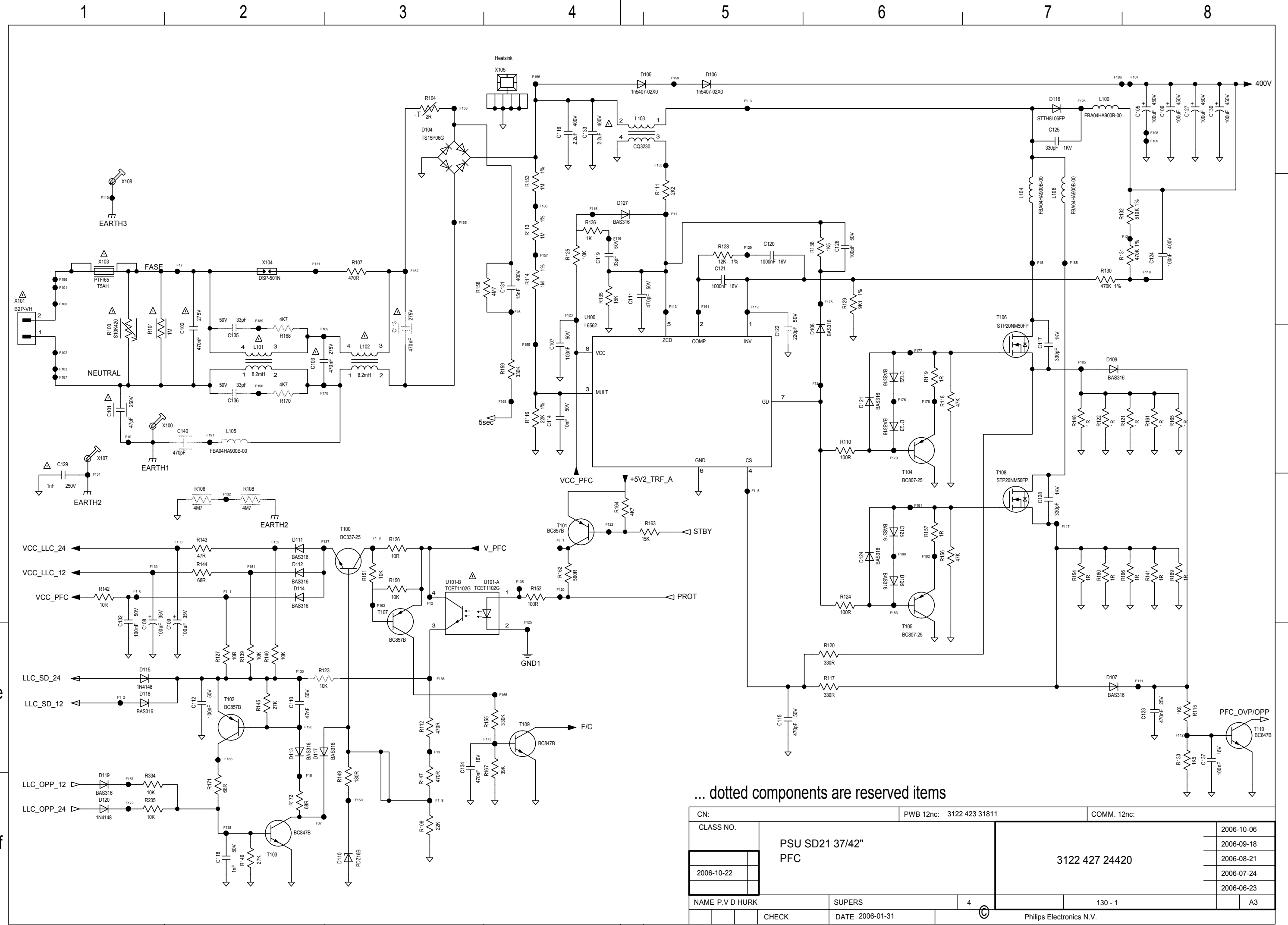
www.electronica-pt.com

Made in Slovakia  
PLCD300P3  
24573  
KEW  
PHILIPS

3122 423 31942 ATTENTION LINE PARTS

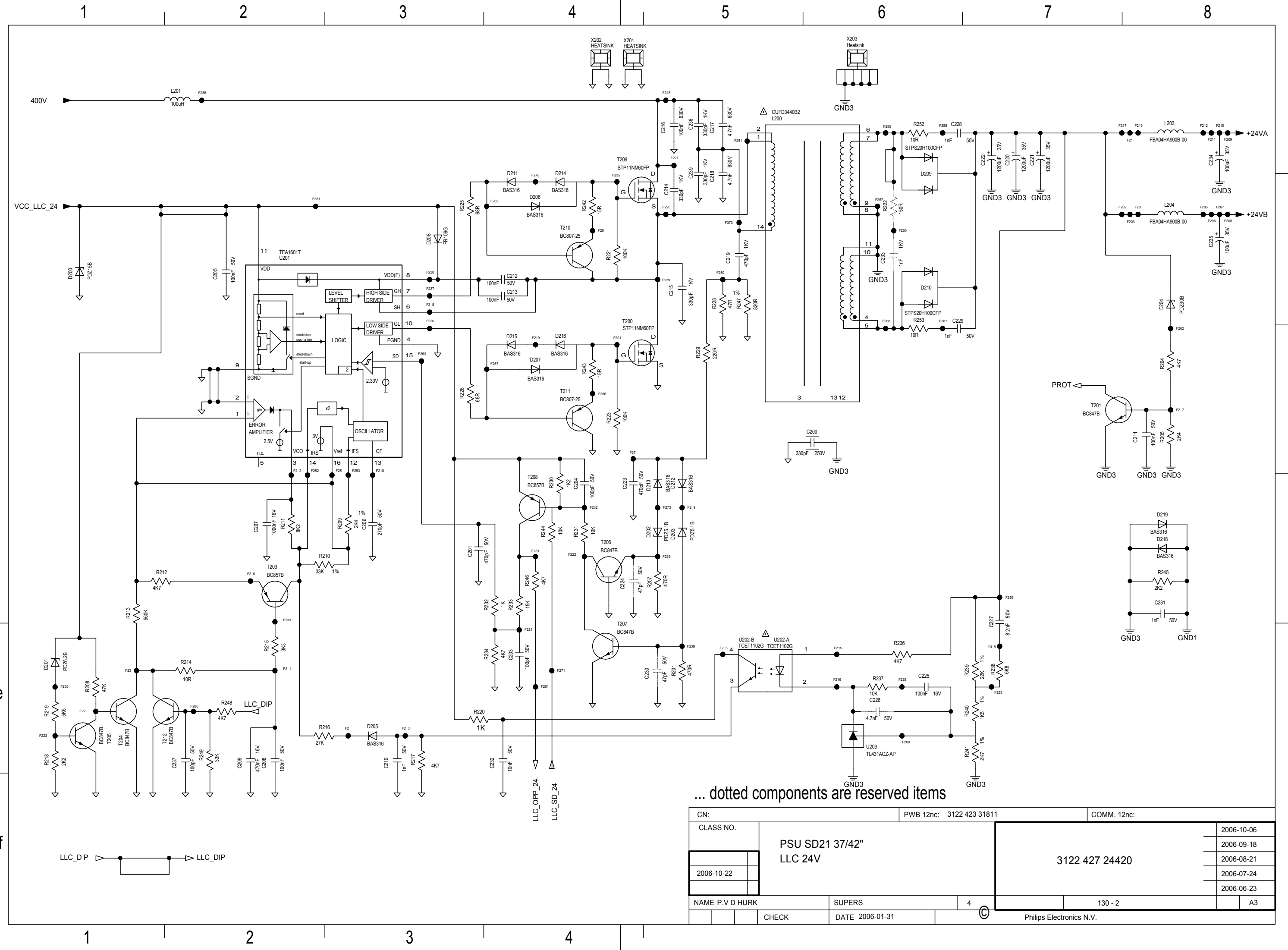
CAUTION: FOR CONTINUED PROTECTION AGAINST RISK OF FIRE, REPLACE ONLY WITH SAME TYPE AND RATING OF FUSE.





... dotted components are reserved items

CN:		PWB 12nc: 3122 423 31811		COMM. 12nc:	
CLASS NO.		PSU SD21 37/42" PFC		2006-10-06	
2006-10-22				2006-09-18	
NAME P.V/D HURK		SUPERS		2006-08-21	
CHECK		DATE 2006-01-31		2006-07-24	
		4		2006-06-23	
				130 - 1	
Philips Electronics N.V.					



... dotted components are reserved items

CN:		PWB 12nc: 3122 423 31811		COMM. 12nc:	
CLASS NO.		PSU SD21 37/42" LLC 24V		2006-10-06	
2006-10-22				2006-09-18	
				2006-08-21	
				2006-07-24	
				2006-06-23	
NAME P.V/D HURK		SUPERS		4	
CHECK		DATE 2006-01-31		130 - 2	
				Philips Electronics N.V.	

3122 427 24420

a

b

c

d

e

f

1

2

3

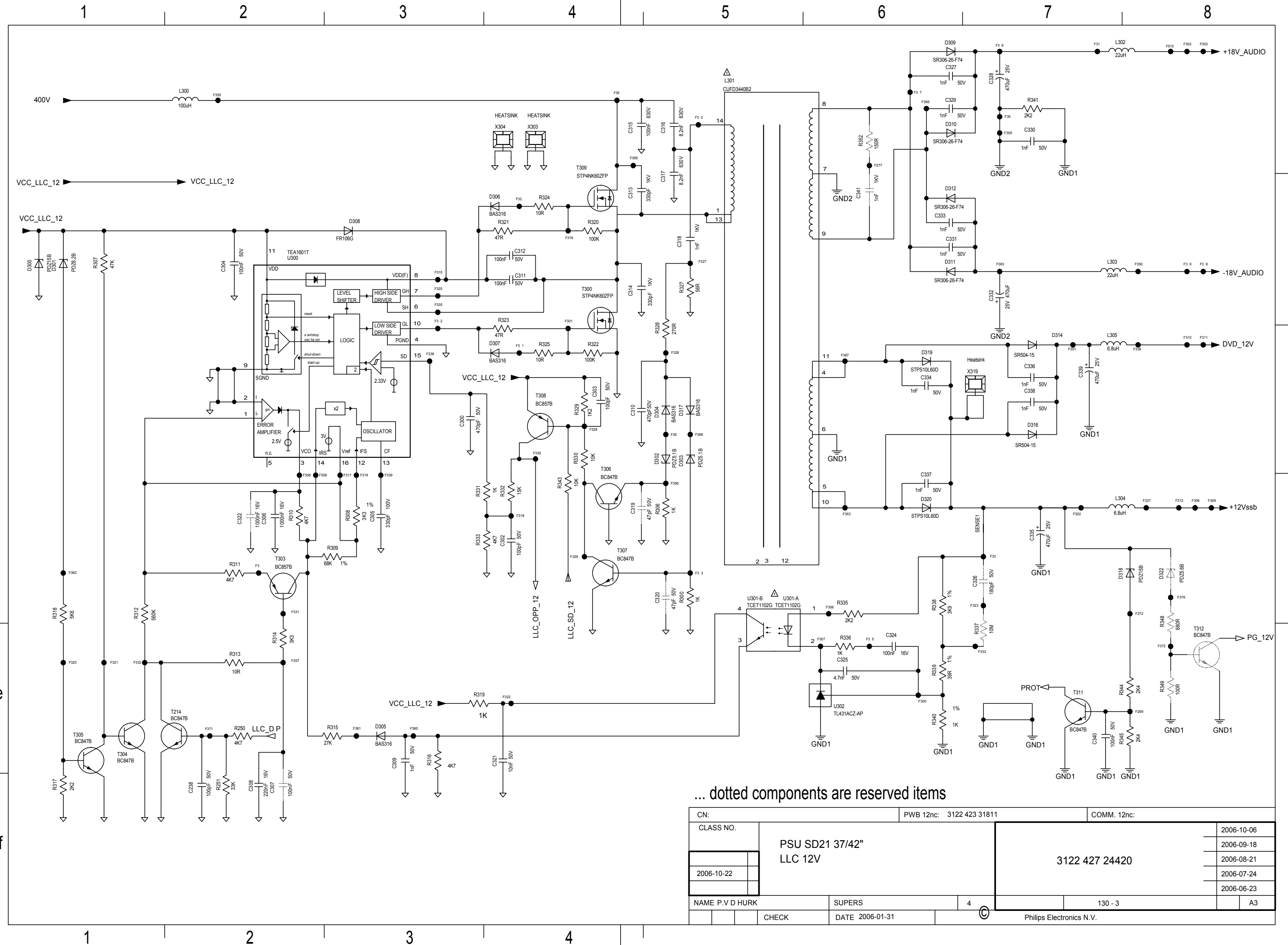
4

5

6

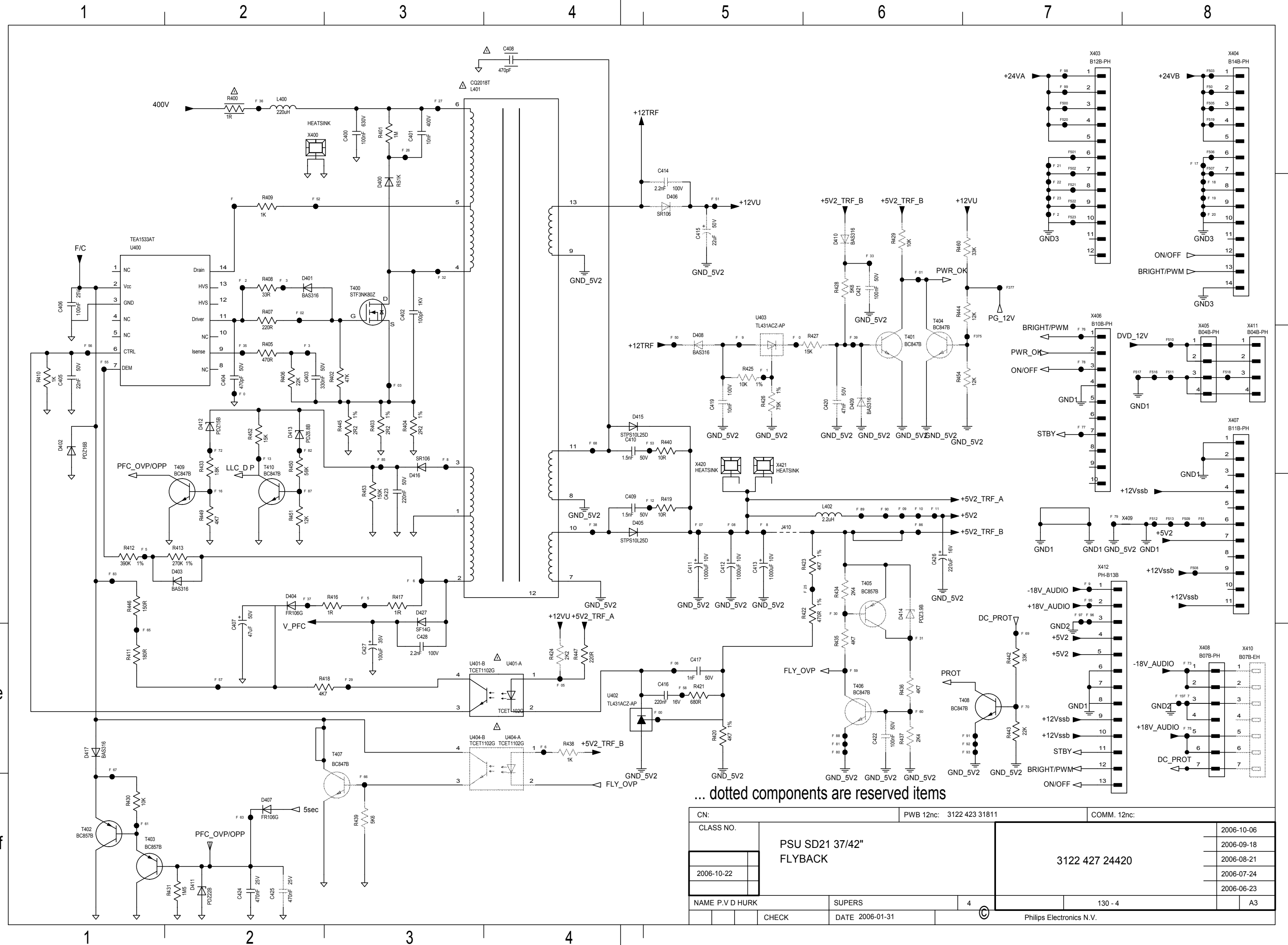
7

8



... dotted components are reserved items

CN:		PWB 12nc: 3122 423 31811		COMM. 12nc:	
CLASS NO.		PSU SD21 37/42" LLC 12V		2006-10-06	
2006-10-22				2006-09-18	
NAME P.V/D HURK		SUPERS		2006-08-21	
CHECK		DATE 2006-01-31		2006-07-24	
		4		2006-06-23	
		130 - 3		A3	
Philips Electronics N.V.					



... dotted components are reserved items

CN:		PWB 12nc: 3122 423 31811		COMM. 12nc:	
CLASS NO.		PSU SD21 37/42" FLYBACK		2006-10-06	
2006-10-22				2006-09-18	
NAME P.V/D HURK		SUPERS		2006-08-21	
CHECK		DATE 2006-01-31		2006-07-24	
		4		2006-06-23	
		130 - 4		A3	
Philips Electronics N.V.					