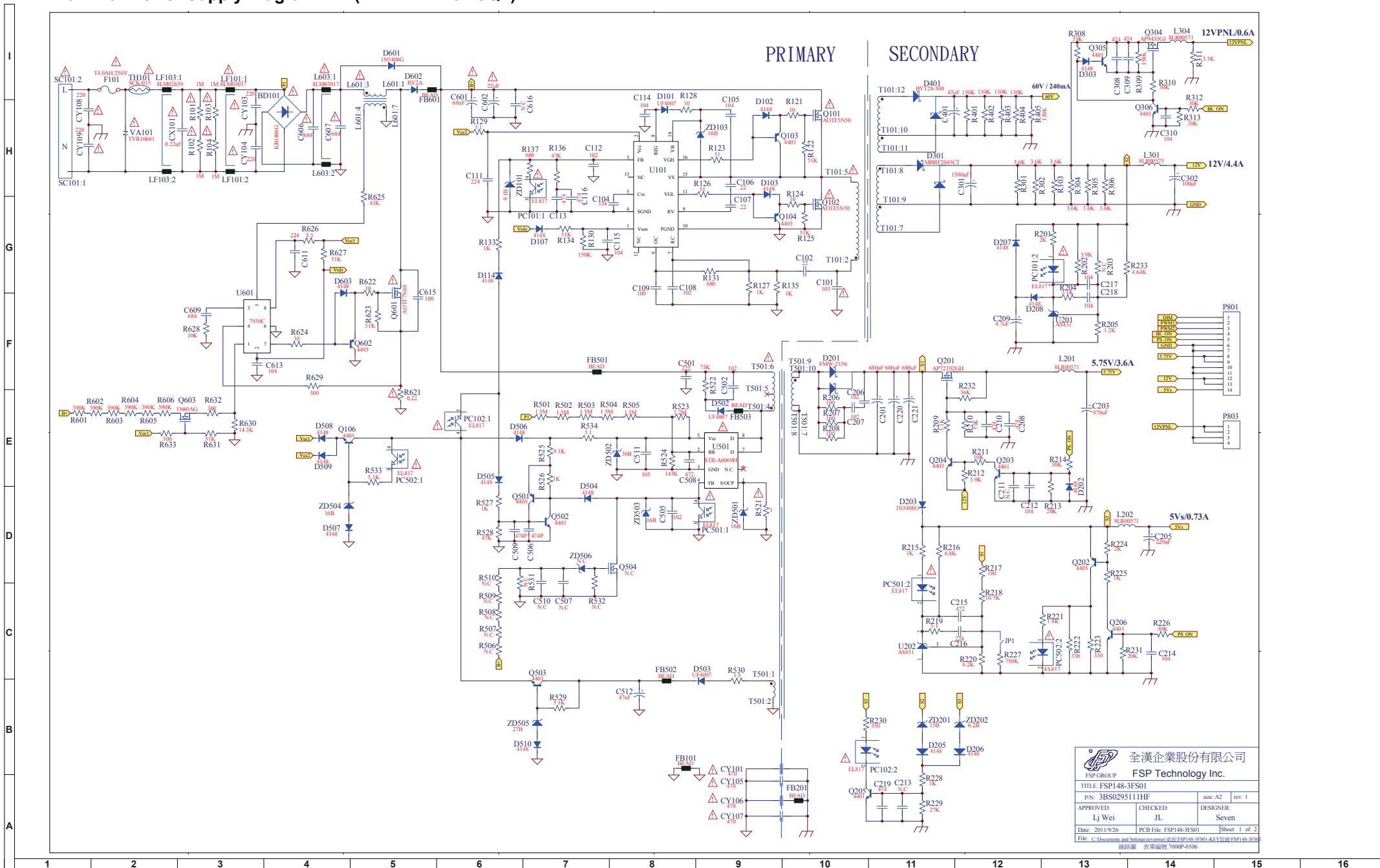


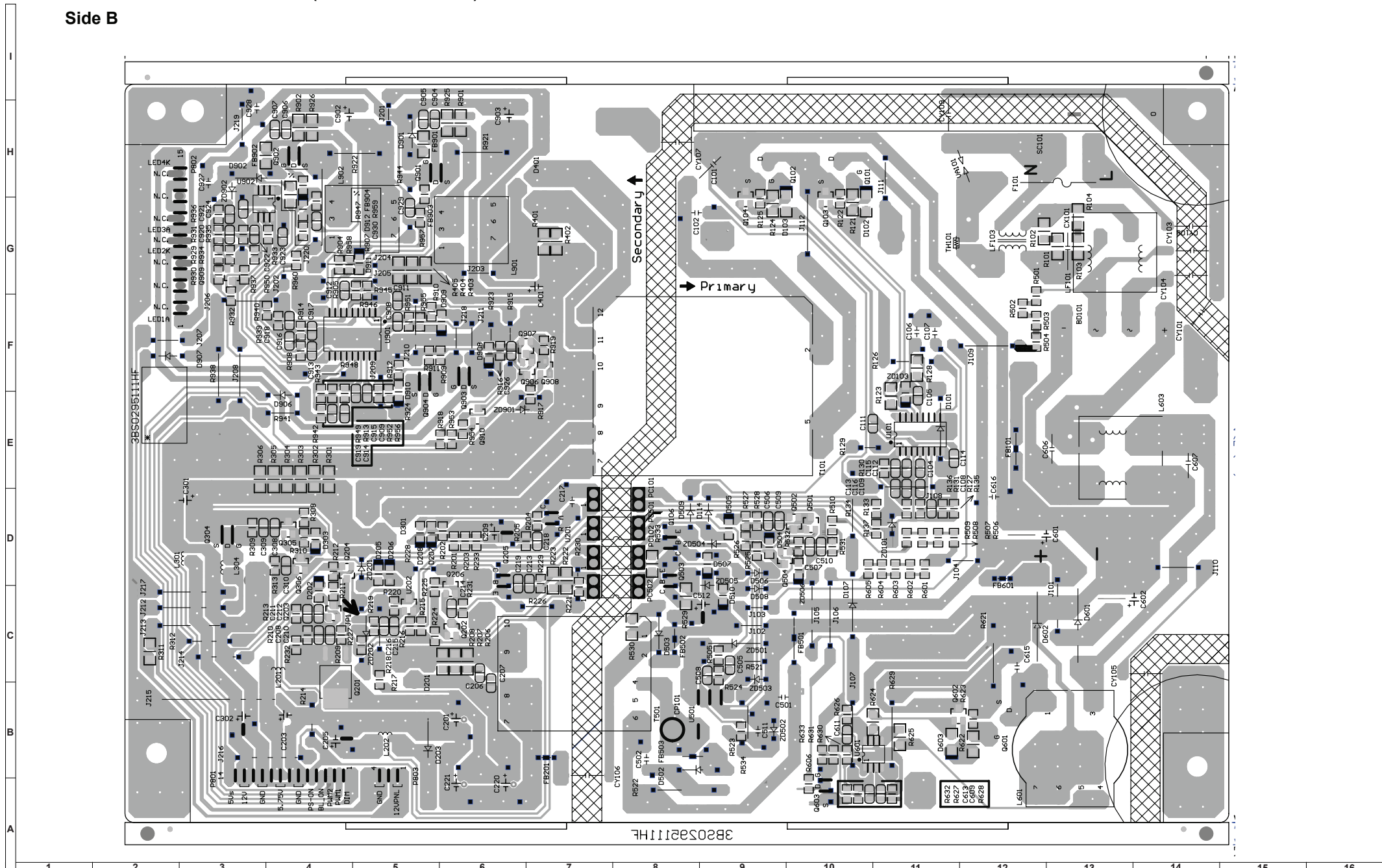
40" / 46" Power Supply Diagram 1/2 (RDENCA440WJQZ)



 全漢企業股份有限公司 FSP Technology Inc.	
TITLE: FSP148-3FS01	
P/N: 3BS0295111HF	size: A2 rev: 1
APPROVED: Lj Wei	CHECKED: JL
DESIGNER: Lj Wei	SEVEN
Date: 2011/9/26	PCB File: FSP148-3FS01
File: C:\documents and settings\seven\桌面\FSP148-3FS01-KEY\原理圖\FSP148-3FS01-線路圖 表單編號:7000P-0106	

40" / 46" Power Unit PWB 2/2 (RDENCA440WJQZ)

Side B



3B2052R111H