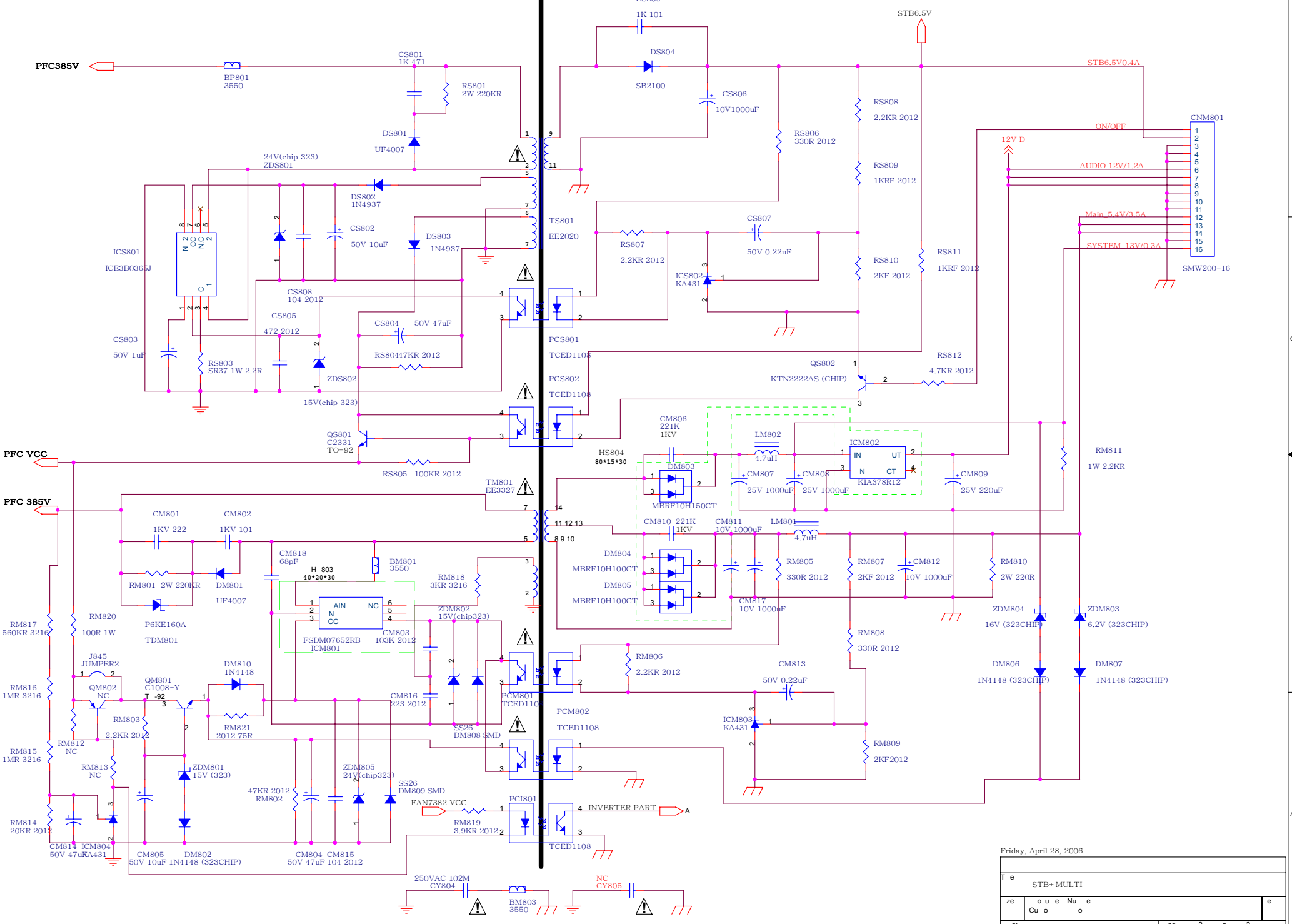


d u e 02 2006			
T e P C			
ze A3	o u e Nu e		e
e: 2005. 06.18		ee 1	o 2

HOT COLD

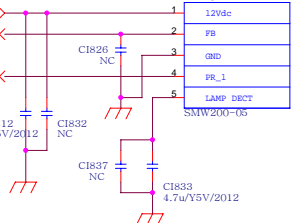
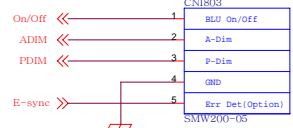
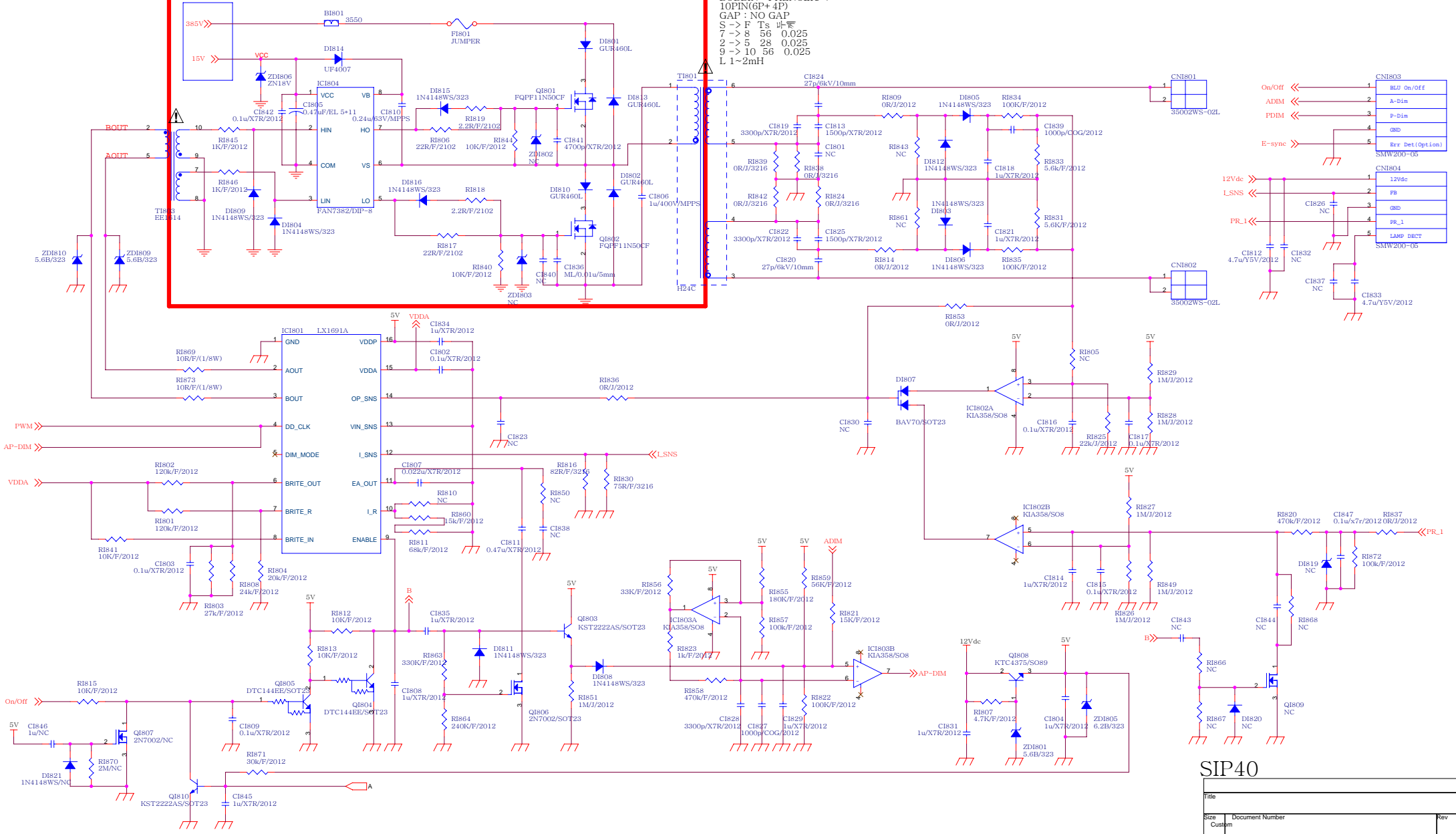


Friday, April 28, 2006

T e		STB+ MULTI	
ze	o u e	Nu e	e
Cu o	o		
e:		ee	2 o 2

POWER PART

CYNC TRANS
 CORE : PL3, 5 PM2A, PM5 EE 1614
 BOBBIN : PHENOLIC V"
 10PIN(GP*4P)
 GAP : NO GAP
 S -> F Ts 1.5
 7 -> 8 56 0.025
 2 -> 5 28 0.025
 9 -> 10 56 0.025
 L 1~2mH



SIP40

Title		
Size	Document Number	Rev
Custom		
Date	Friday, June 16, 2006	Sheet 2 of 4