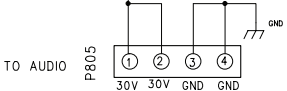
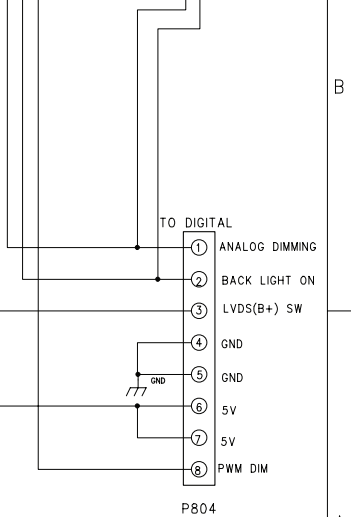
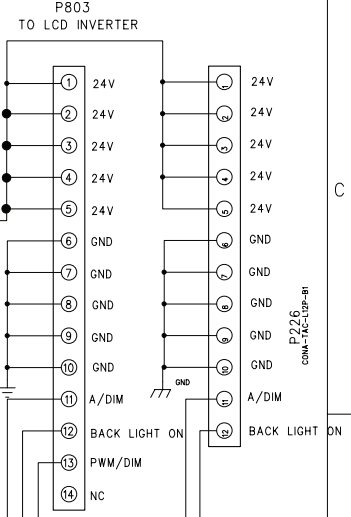
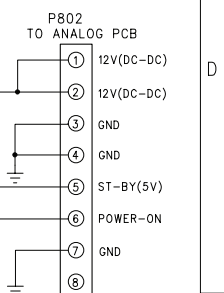


REVISION RECORD			
LTR	ECO NO.	APPROVED:	DATE:



MAIN POWER ASS'Y