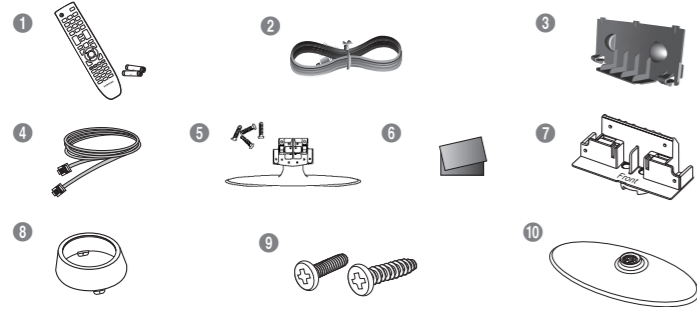


# Quick Setup Guide

To register this product please visit [www.samsung.com/register](http://www.samsung.com/register).

## List of Parts

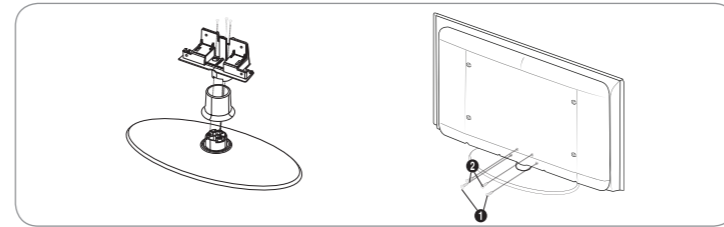


- |  |  |
|--|--|
| 1 Remote Control & Batteries (AAA x 2) | 2 Power Cord                               |
| 3 Cover-Bottom                         | 4 Data Cable                               |
| 5 Stand & Screw (M4xL16)               | 6 • Owner's Instructions<br>• Safety Guide |
| 7 Guide Stand (32inch model only)      | 8 Cover Neck (32inch model only)           |
| 9 Screws (32inch model only)           | 10 Stand (32inch model only)               |



BN68-03592A-02

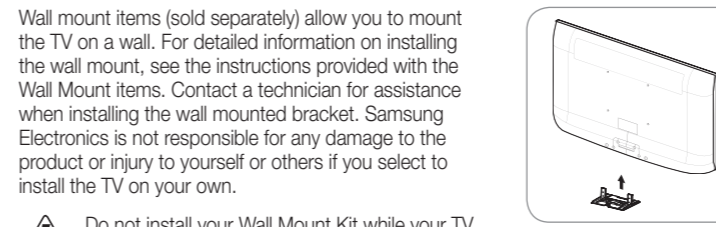
## Installing the Stand



> **Preset:** Place the Guide Stand and Cover Neck onto the stand and fasten it using the screws. Applicable to 32 inch model only.

- Attach your LCD TV to the stand.
  - Two or more people should carry the TV.
  - Make sure to distinguish between the front and back of the stand when attaching it.
  - To make sure the TV is installed on the stand at a proper level, do not apply excess downward pressure to the upper left or right sides of the TV.
- Fasten two screws at position 1 and then fasten two screws at position 2.
  - Stand the product up and fasten the screws. If you fasten the screws with the LCD TV placed down, it may lean to one side.
  - The stand is installed for models with the screen size of 37 inch and above.

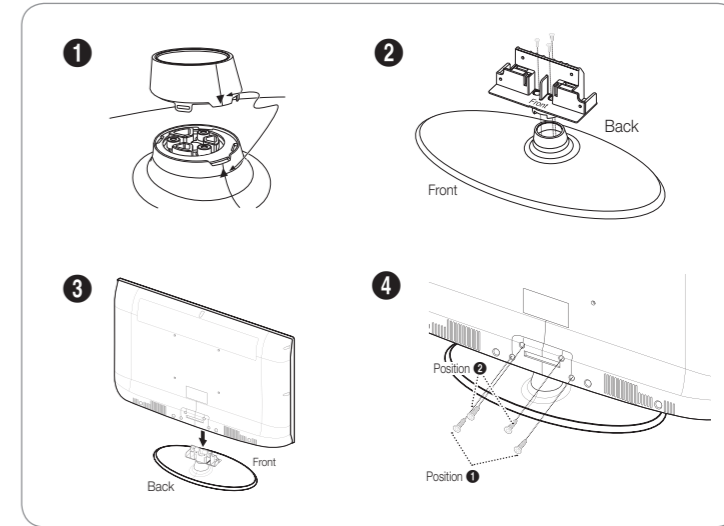
## Installing the Wall Mount Kit



Wall mount items (sold separately) allow you to mount the TV on a wall. For detailed information on installing the wall mount, see the instructions provided with the Wall Mount items. Contact a technician for assistance when installing the wall mounted bracket. Samsung Electronics is not responsible for any damage to the product or injury to yourself or others if you select to install the TV on your own.

- Do not install your Wall Mount Kit while your TV is turned on. It may result in personal injury due to electric shock.
- Remove the stand and cover the bottom hole with the cover.

## Installing the LCD TV Stand (32inch model only)



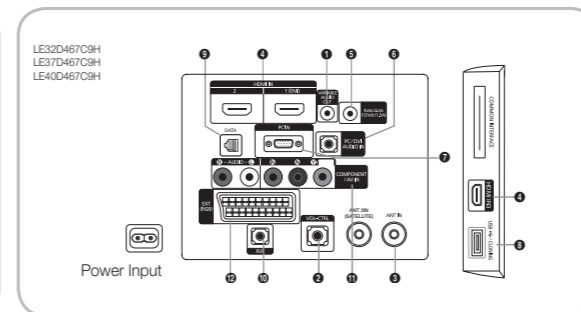
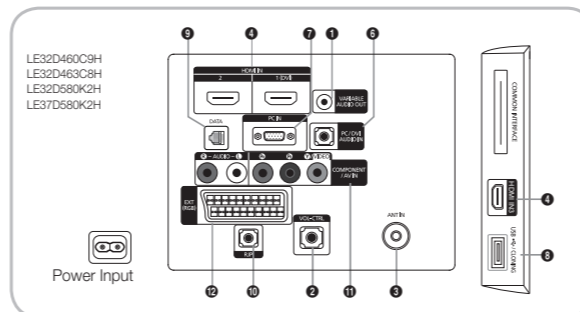
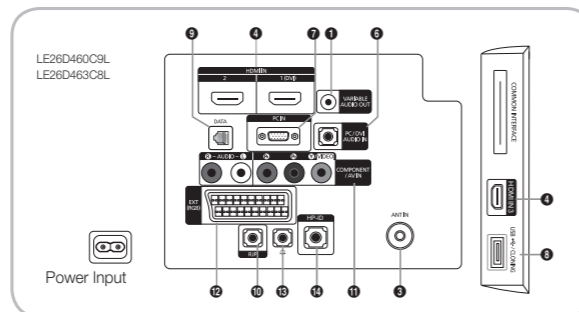
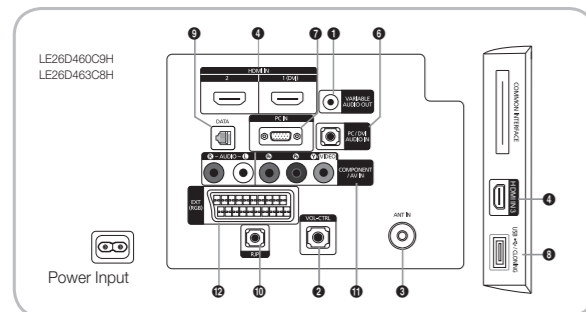
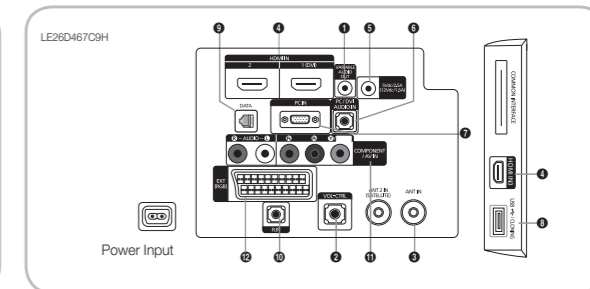
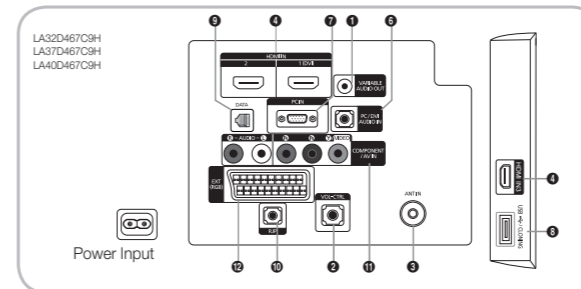
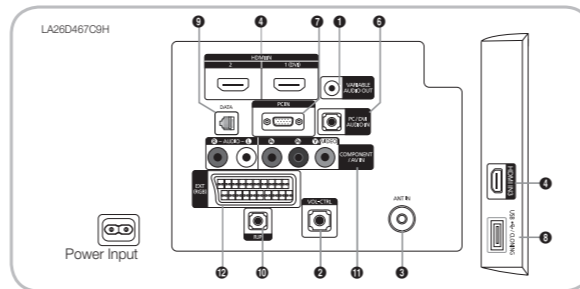
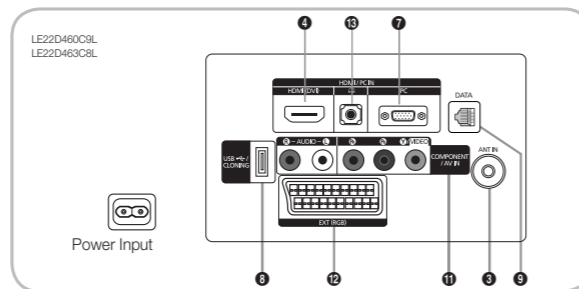
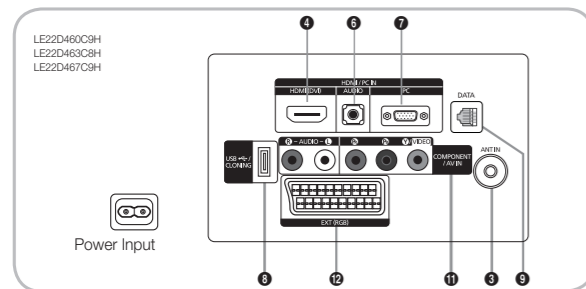
- Insert the Cover Neck into the groove of the stand. Assemble the LCD TV stand by aligning the triangle figures indicated by the arrow marks.
- Place the Guide Stand onto the stand which is assembled in step 1 and fasten it using the three ③ screws.
- Connect your LCD TV and the stand.
- Fasten two ⑥ screws at position 1 and then fasten two ⑥ screws at position 2.

### Caution

- Make sure to distinguish between the front and back of each component when assembling them.
- Make sure that at least two persons lift and move the LCD TV.
- Stand the product up and fasten the screws. If you fasten the screws with the LCD TV placed down, it may lean to one side.

## Viewing the Connection Panel

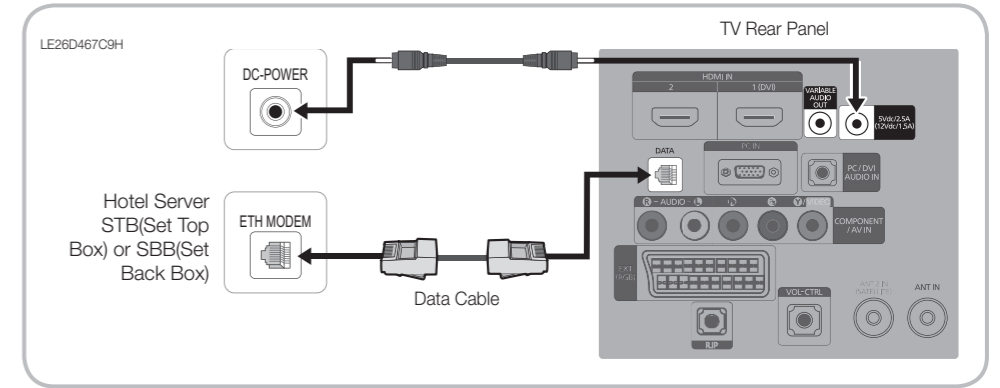
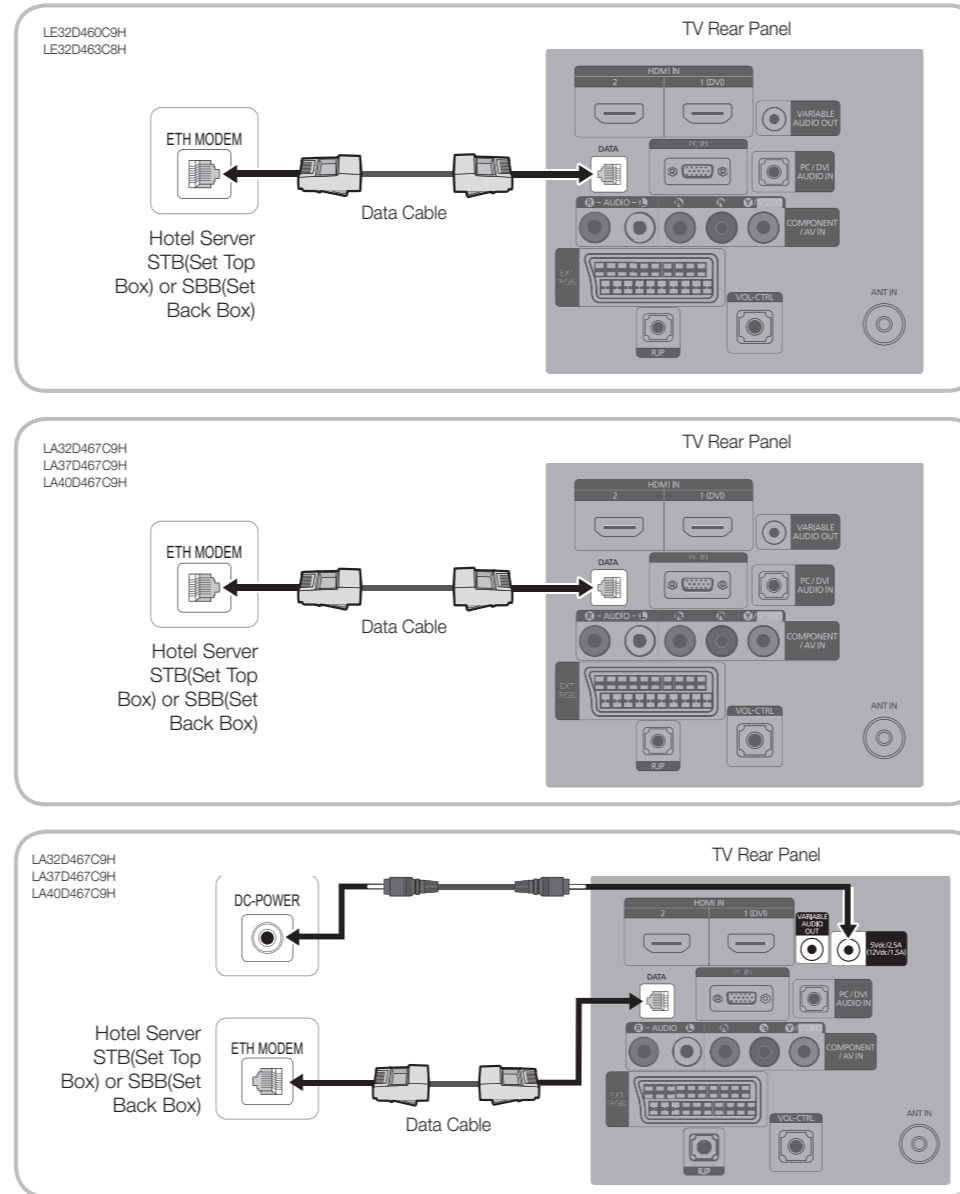
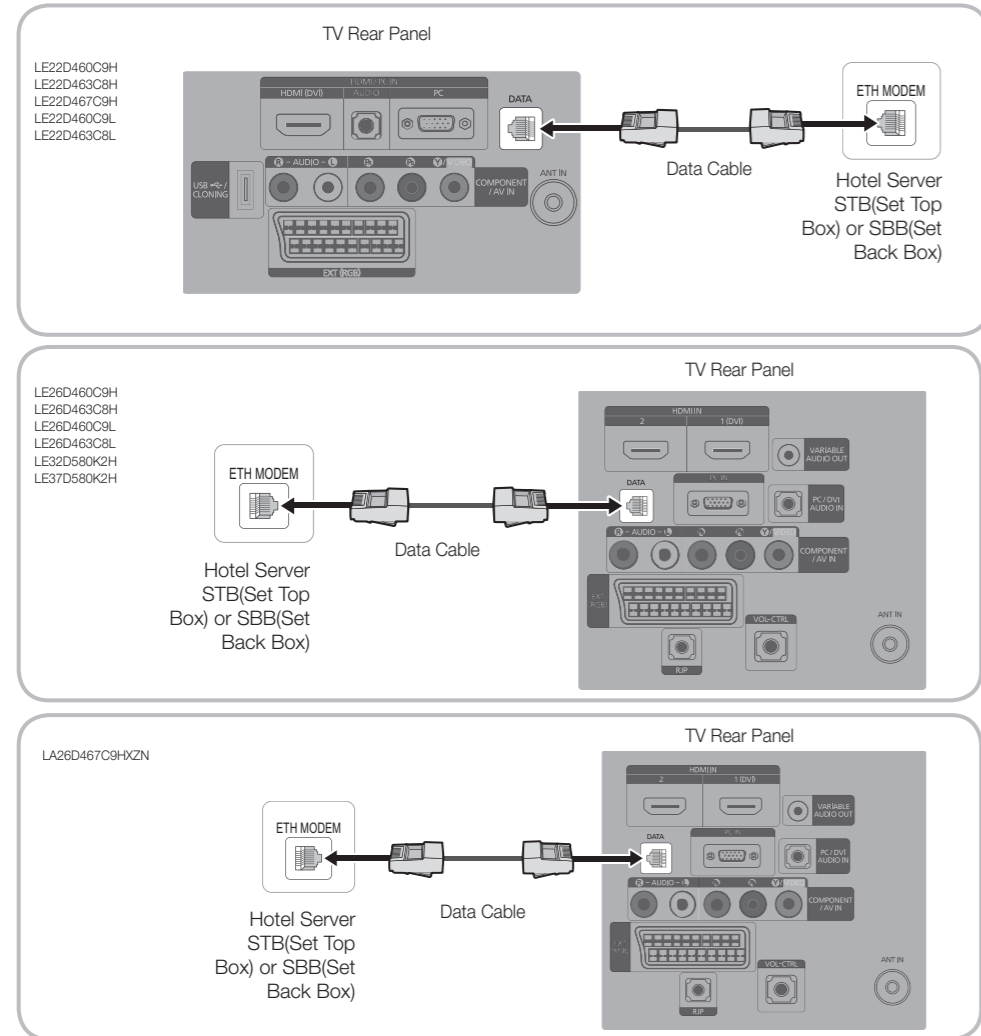
> The product color and shape may vary depending on the model.



- Whenever you connect an external device to your TV, make sure that power on the unit is turned off.
- When connecting an external device, match the color of the connection terminal to the cable.

- |                        |                            |                         |                   |
|------------------------|----------------------------|-------------------------|-------------------|
| 1 VARIABLE AUDIO OUT   | 5 5V DC/2.5A (12V DC/1.5A) | 8 USB / CLONING         | 12 EXT            |
| 2 VOL-CTRL             | 6 PC/DVI AUDIO IN          | 9 DATA                  | 13 HEADPHONE JACK |
| 3 ANT IN               | 7 PC IN                    | 10 RJP                  | 14 HP-ID          |
| 4 HDMI IN 1(DVI), 2, 3 |                            | 11 COMPONENT IN / AV IN |                   |

## Connecting the TV with STB



## Mixed Channel Map

Mixed Channel Map is a function to mix Air and Cable channels.  
[ If there are no Cable channels, you can use this item as channel sorting. ]

- Mixed channel Map, Channel Editor and Channel Auto Store are newly placed in Hotel Option Menu.
- Mixed channel Map should be ON in order to mix Air and Cable channels.
- Use Channel Editor to sort the channels as user-desired channel numbers.

Homepage Menu	Interaction	Music Mode	Backlight	OFF	Homepage Log On	SPICH Channel	BT
BT Vendor	OFF	RJP Priority AV	1	Log On Display Time	SPICH Version	8000	
Power On Channel	User Defined	RJP Priority PC	2	Power On Option	Last Option	External Source Barter	Enable
Power On Channel	1	RJP Priority HDMI	3	Auto Source	OFF	CH PRESCAN MSG	ON
Channel Type	ATV	RJP AV Option	AV1	Energy Saving	OFF	Dynamic SI	OFF
Power On Volume	User Defined	RJP HDMI Option	HDMI.DVI	Clone TV to USB	Channel Setup		
Power On Volume	10	Sub Amp Volume	13	Clone USB to TV	Channel Editor		
Min Volume	0	Sub Amp mode	2	Plan Euro MPEG	OFF		
Max Volume	100	Local time	Manual	Setting Auto Initia	OFF		
Panel Button Lock	Unlock	Time Format	24 Hour	Welcome Message	ON		
Power On Source	TV	CLOCK Test	Failure	Est Welcome Message			
Picture Menu Lock	OFF	CLOCK Normal Dim	4	DC Power Out	SV		
Music Mode AV	OFF	CLOCK Standby Dim	1	Mixed Channel Map	OFF		
Music Mode PC	OFF	Menu Display	ON	SPICH Lockout Time	1 Hour		
Music Mode Comp	OFF	Homepage Log On	OFF	Manual SPICH			

<Depending on model and region, some menu items may not exist>

## Simple Steps for channel mixing under Stand-alone Mode

Step	Broad Outline
1	Turn on 'Mixed Channel Map' in Hotel Option Menu
2	Operate 'Channel Auto Store' in Hotel Option Menu (Antenna Source : Air + Cable)
3	Enter 'Channel Editor' in Hotel Option Menu
4	Compile a table related to the final channel lists you want to have
5	Rearrange channels with TOOLS Button based on the table you compiled
6	Press EXIT or RETURN Button to exit.

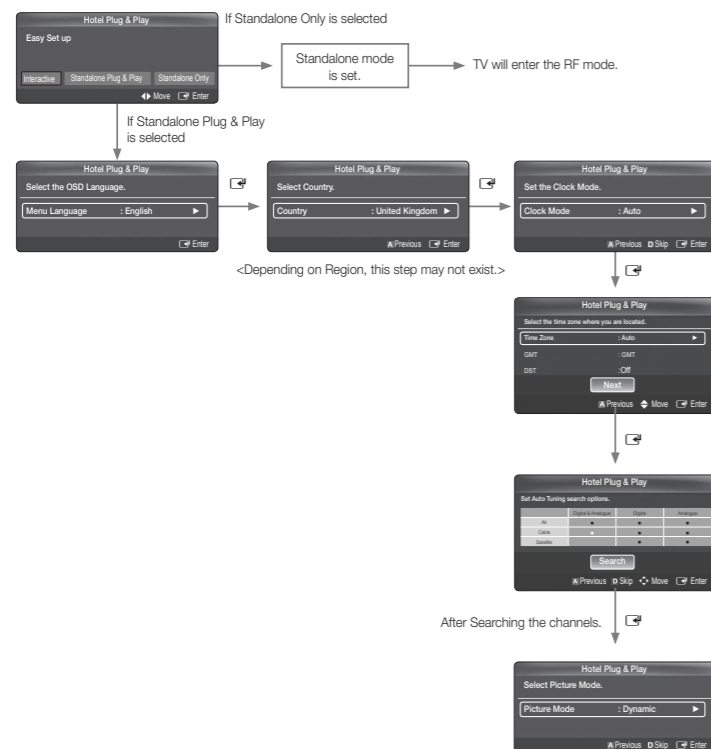
<For better comprehension, please refer to the following details>

## Hotel Plug & Play

Hotel Plug & Play is a function that automatically performs the Hotel mode selection, Country Setup, Clock Setup and Picture mode Setup once.

- Hotel Plug & Play is available only one time when power is first turned ON.
- After setting up first TV and Clone TV to USB.
- Next TV only needs to exit Hotel Plug & Play, connect USB, then Clone USB to TV.

### UI Scenario



## Specifications

Items	Specification	Comment	
TV System	PAL, SECAM, DVB-TC, DVB-TCS, DVB-T2C		
Audio out	Speaker out	22inch : 3W x 2 26inch : 5W x 2 32inch / 37inch / 40inch : 10W x 2	
	Variable Audio	1.2W mono 8 ohm SPK'	RCA Jack output BTL Sound output
	Audio out	500mVrms	Phone Jack, Monitor out
DC out	5V out	Max 2.5A	Initial output Voltage
	12V out	Max 1.5A	Change output voltage
Input	Component	Y, Pb, Pr, Audio-L/R	
	PC	D-sub, Audio-L/R	
	AV	Audio Video Jack	
	EXT	Scart Jack	
	HDMI	Compatible with the HDMI Specifications	
	Antenna	75 ohm Unbalanced, Din Jack, F Jack	VHF/UHF/CATV/DVB-S/DVB-T2C
Data	DATA	RJ-12	
	RJP	RS232	Jack Pack Only, TeleAdapt RJP Only
Operating temperature	10°C ~ 40°C (50°F ~ 104°F)		
Operating Humidity	10% ~ 80%	non-condensing	
Storage Temperature	-20°C ~ 45°C (-4°F ~ 113°F)		
Storage Humidity	5% ~ 95%	non-condensing	

- > Design and specifications are subject to change without prior notice.
- > For the power supply and Power Consumption, refer to the label attached to the product.



### Contact SAMSUNG WORLDWIDE

If you have any questions or comments relating to Samsung products, please contact the SAMSUNG customer care centre.

Country	Customer Care Centre ☎
AUSTRIA	800-112233
FINLAND	0771-400002
FRANCE	0825-022082
GERMANY	01805-471101
HUNGARY	0640-985985
ITALIA	800-194194
NETHERLANDS	015-2197000
POLAND	0-801-B2BSAM (222726)
PORTUGAL	808-B2BSAM
SPAIN	0902024-010
UNITED KINGDOM	+44 (0) 845 8414141
SOUTH AFRICA	0860-SAMSUNG (726-7864)
U.A.E	800-SAMSUNG (726-7864) 8000-4726