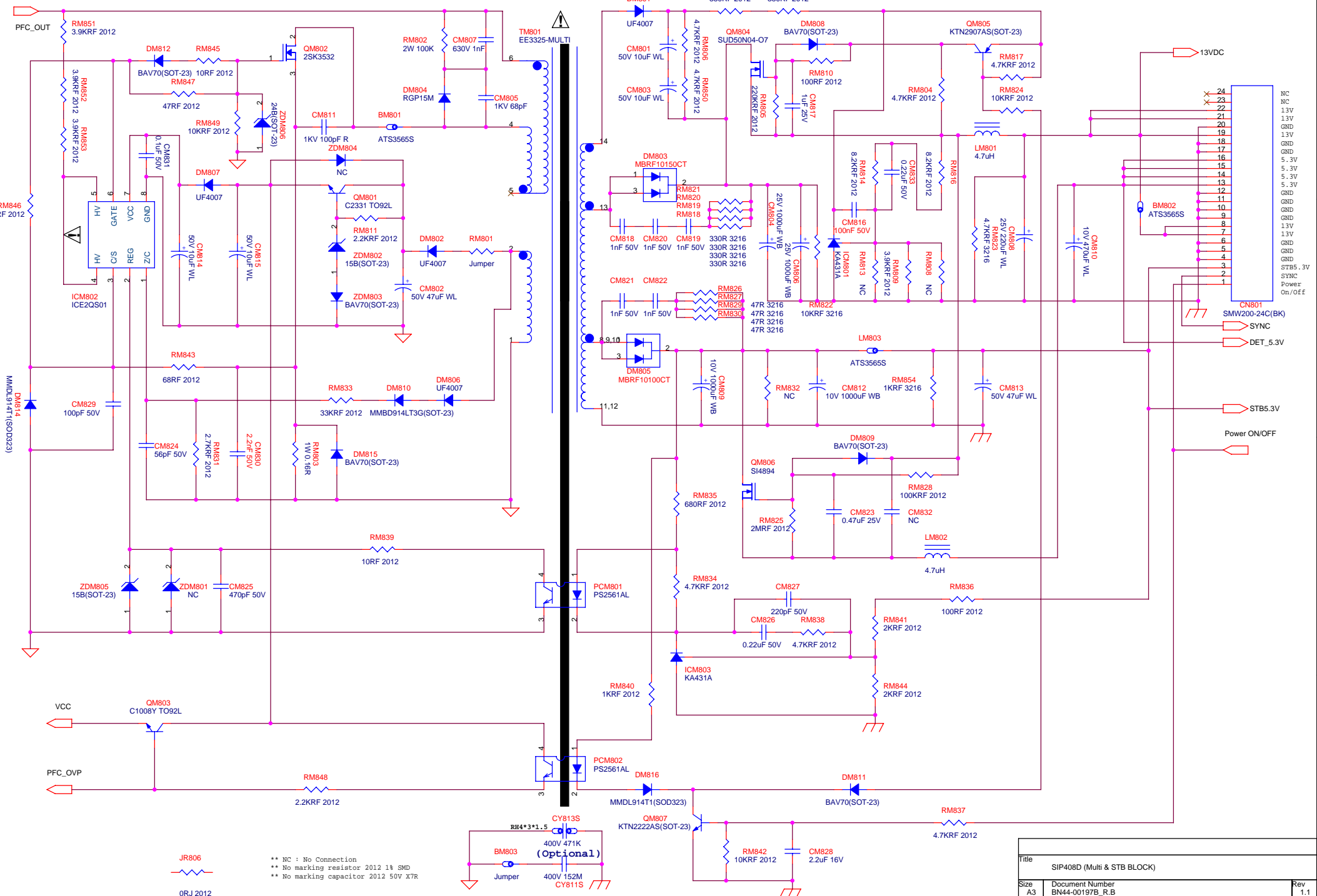


STAND BY & Multi BLOCK

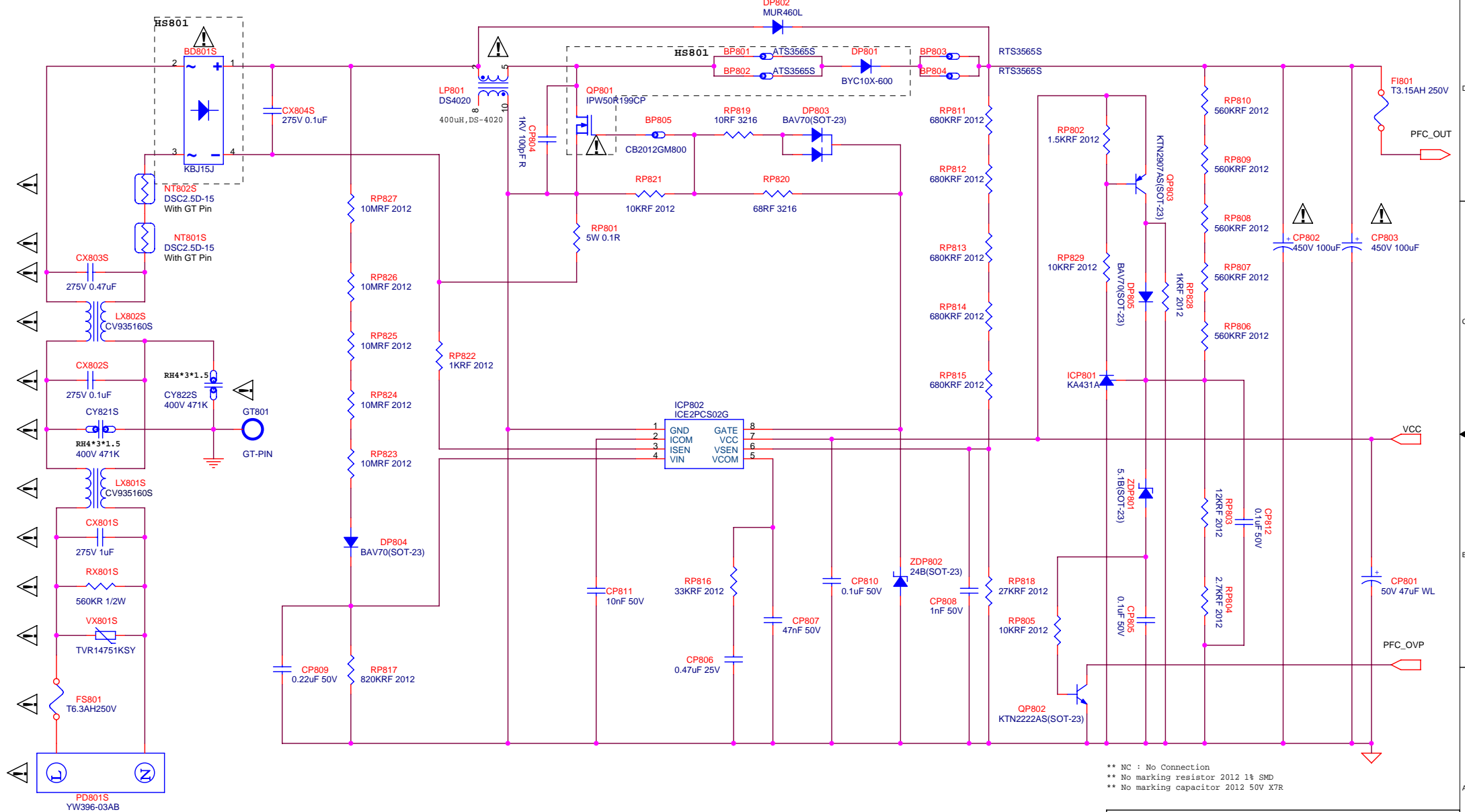
HOT

COLD



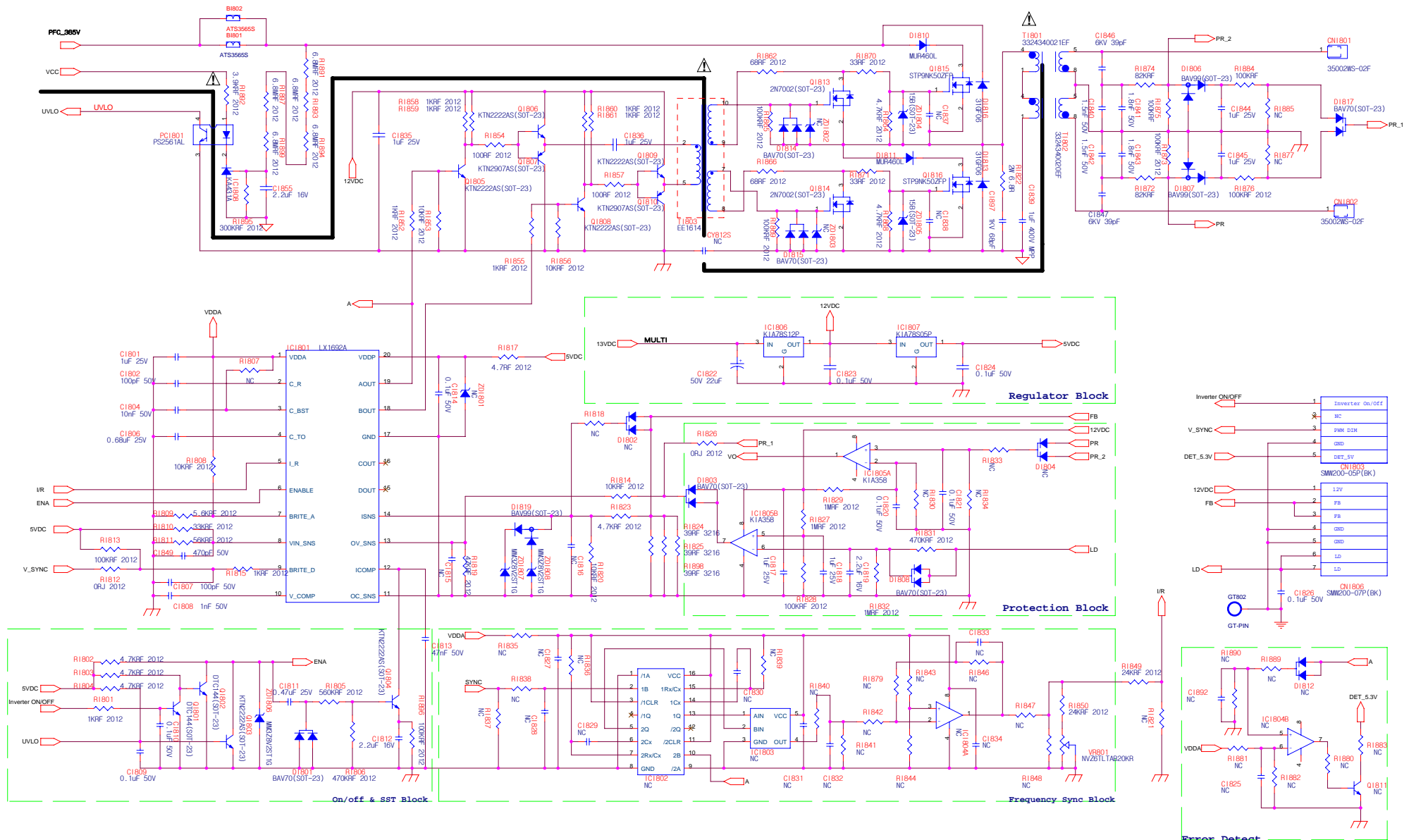
Title		
SIP408D (Multi & STB BLOCK)		
Size	Document Number	Rev
A3	BN44-00197B_R_B	1.1
Date:	Monday, August 04, 2008	Sheet 0 of 3

PFC BLOCK

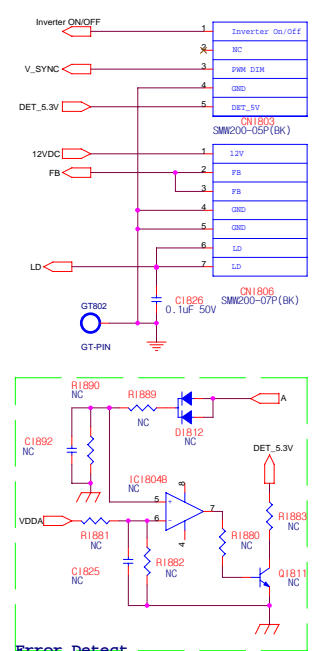


** NC : No Connection
 ** No marking resistor 2012 1% SMD
 ** No marking capacitor 2012 50V X7R

Title		SIP408D (PFC BLOCK)	
Size	Document Number	BN44-00197B_R.B	
B		Rev	1.1
Date:	Monday, August 04, 2008	Sheet	1 of 3



- JUMPER**
- J801 NC
 - J802 0RJ 2012
 - J803 0RJ 2012
 - J804 NC



** NC : No Connection
 ** No marking resistor 2012 1% SMD
 ** No marking capacitor 2012 50V X7R

File	SIP408D(INVERTER BLOCK)		
Size	Document Number	Rev	
A2	BN44-00197B_R.B	1.1	
Date	Tuesday, August 05, 2008	Sheet	3 of 3