

**Self Diagnosis**  
Supported model

# SERVICE MANUAL

# EG1L CHASSIS

MODEL

DEST

**KDL-40W4500**

AEP/UK

**KDL-46W4500**

AEP/UK

**KDL-52W4500**

AEP/UK



RM-ED011

FLAT PANEL COLOR TV  
**SONY®**

# SERVICE MANUAL

*Self Diagnosis*  
Supported model

Differences Manual

## EG1L CHASSIS

MODEL

DEST

**KDL-40W4710**

AEP

**KDL-46W4710**

AEP

**KDL-52W4710**

AEP

Note: This Service Manual shows only the differences from KDL-40/46/52W4500.  
Refer to the Service Manual (9-927-586-xx) of KDL-40/46/52W4500, also for repair.



RM-ED011

FLAT PANEL COLOR TV  
**SONY**®

# TABLE OF CONTENTS

<i>Section</i>	<i>Title</i>	<i>Page</i>	<i>Section</i>	<i>Title</i>	<i>Page</i>
<b>5.</b>	<b>EXPLODED VIEWS</b>				
5-2.	Bezel .....	3			

**WARNING !!**

AN ISOLATION TRANSFORMER SHOULD BE USED DURING ANY SERVICE WORK TO AVOID POSSIBLE SHOCK HAZARD DUE TO LIVE CHASSIS, THE CHASSIS OF THIS RECEIVER IS DIRECTLY CONNECTED TO THE POWER LINE.

***SAFETY-RELATED COMPONENT WARNING !!***

*COMPONENTS IDENTIFIED BY SHADING AND MARKED ON THE EXPLODED VIEWS AND IN THE PARTS LIST ARE CRITICAL FOR SAFE OPERATION. REPLACE THESE COMPONENTS WITH SONY PARTS WHOSE PART NUMBERS APPEAR AS SHOWN IN THIS MANUAL OR IN SUPPLEMENTS PUBLISHED BY SONY.*

△

## 5-2. BEZEL

**Note :** Les composants indentifiés par une trame et par une marque  $\Delta$  sont d'une importance critique pour la sécurité. Ne les remplacer que par des pièces du numéro spécifié.

**Note :** The components identified by shading and marked  $\Delta$  are critical for safety. Replace only with the part numbers specified in the parts list.



REF.NO.	PART.NO	DESCRIPTION	REMARK	REF.NO.	PART.NO	DESCRIPTION	REMARK
51	X-2320-770-1	BEZEL (40) ASSY	40 inches	53	X-2320-675-1	CLEAR PANEL (40EH) PRINTED	40 inches
	X-2320-771-1	BEZEL (46) ASSY	46 inches		X-2320-678-1	CLEAR PANEL (46EH) PRINTED	46 inches
	X-2320-772-1	BEZEL (52) ASSY	52 inches		X-2320-681-1	CLEAR PANEL (52EH) PRINTED	52 inches

# SERVICE MANUAL

*Self Diagnosis*  
Supported model

Differences Manual

## EG1L CHASSIS

MODEL

DEST

**KDL-40W4720**

AEP

**KDL-46W4720**

AEP

Note: This Service Manual shows only the differences from KDL-40/46/52W4500.  
Refer to the Service Manual (9-927-586-xx) of KDL-40/46/52W4500, also for repair.



RM-ED011

FLAT PANEL COLOR TV  
**SONY**®

# TABLE OF CONTENTS

<i>Section</i>	<i>Title</i>	<i>Page</i>	<i>Section</i>	<i>Title</i>	<i>Page</i>
<b>5.</b>	<b>EXPLODED VIEWS</b>				
5-2.	Bezel .....	3			

**WARNING !!**

AN ISOLATION TRANSFORMER SHOULD BE USED DURING ANY SERVICE WORK TO AVOID POSSIBLE SHOCK HAZARD DUE TO LIVE CHASSIS, THE CHASSIS OF THIS RECEIVER IS DIRECTLY CONNECTED TO THE POWER LINE.

**SAFETY-RELATED COMPONENT WARNING !!**

COMPONENTS IDENTIFIED BY SHADING AND MARKED ON THE EXPLODED VIEWS AND IN THE PARTS LIST ARE CRITICAL FOR SAFE OPERATION. REPLACE THESE COMPONENTS WITH SONY PARTS WHOSE PART NUMBERS APPEAR AS SHOWN IN THIS MANUAL OR IN SUPPLEMENTS PUBLISHED BY SONY.

△

## 5-2. BEZEL

**Note :** Les composants indentifiés par une trame et par une marque  $\Delta$  sont d'une importance critique pour la sécurité. Ne les remplacer que par des pièces du numéro spécifié.

**Note :** The components identified by shading and marked  $\Delta$  are critical for safety. Replace only with the part numbers specified in the parts list.



REF.NO.	PART.NO	DESCRIPTION	REMARK	REF.NO.	PART.NO	DESCRIPTION	REMARK
53	X-2320-676-1	CLEAR PANEL (40EH) PRINTED 40 inches					
	X-2320-679-1	CLEAR PANEL (46EH) PRINTED 46 inches					

# SERVICE MANUAL

*Self Diagnosis*  
Supported model

Differences Manual

## EG1L CHASSIS

MODEL

DEST

**KDL-40W4730**

AEP

**KDL-46W4730**

AEP

**KDL-52W4730**

AEP

Note: This Service Manual shows only the differences from KDL-40/46/52W4500.  
Refer to the Service Manual (9-927-586-xx) of KDL-40/46/52W4500, also for repair.



RM-ED011

FLAT PANEL COLOR TV  
**SONY**®



# TABLE OF CONTENTS

<i>Section</i>	<i>Title</i>	<i>Page</i>	<i>Section</i>	<i>Title</i>	<i>Page</i>
<b>5.</b>	<b>EXPLODED VIEWS</b>				
5-2.	Bezel .....	3			

WARNING !!

AN ISOLATION TRANSFORMER SHOULD BE USED DURING ANY SERVICE WORK TO AVOID POSSIBLE SHOCK HAZARD DUE TO LIVE CHASSIS, THE CHASSIS OF THIS RECEIVER IS DIRECTLY CONNECTED TO THE POWER LINE.

*SAFETY-RELATED COMPONENT WARNING !!*

*COMPONENTS IDENTIFIED BY SHADING AND MARKED ON THE EXPLODED VIEWS AND IN THE PARTS LIST ARE CRITICAL FOR SAFE OPERATION. REPLACE THESE COMPONENTS WITH SONY PARTS WHOSE PART NUMBERS APPEAR AS SHOWN IN THIS MANUAL OR IN SUPPLEMENTS PUBLISHED BY SONY.*

△

## 5-2. BEZEL

**Note :** Les composants indentifiés par une trame et par une marque  $\Delta$  sont d'une importance critique pour la sécurité. Ne les remplacer que par des pièces du numéro spécifié.

**Note :** The components identified by shading and marked  $\Delta$  are critical for safety. Replace only with the part numbers specified in the parts list.



REF.NO.	PART.NO	DESCRIPTION	REMARK	REF.NO.	PART.NO	DESCRIPTION	REMARK
51	X-2320-770-1	BEZEL(40) ASSY	40 inches	53	X-2320-677-1	CLEAR PANEL (40EH) PRINTED	40 inches
	X-2320-771-1	BEZEL(46) ASSY	46 inches		X-2320-680-1	CLEAR PANEL (46EH) PRINTED	46 inches
					X-2320-694-1	CLEAR PANEL (52EH) PRINTED	52 inches

*Self Diagnosis*  
Supported model

# SERVICE MANUAL

# EG1L CHASSIS

MODEL

DEST

**KDL-40W4500**

AEP/UK

**KDL-46W4500**

AEP/UK

**KDL-52W4500**

AEP/UK



RM-ED011

FLAT PANEL COLOR TV  
**SONY**®

# TABLE OF CONTENTS

<i>Section</i>	<i>Title</i>	<i>Page</i>	<i>Section</i>	<i>Title</i>	<i>Page</i>
<b>1. GENERAL</b>		3	<b>4. DIAGRAMS</b>		
	Caution .....	3	4-1.	Block Diagram .....	14
	Specifications .....	5	4-2.	Circuit Board Location .....	15
	Connectors .....	6	4-3.	Schematic Diagrams and Printed Wiring Boards .....	15
	Self Diagnosis .....	7		BGE Board Schematic Diagram .....	16
<b>2. DISASSEMBLY</b>				D4 Board Schematic Diagram (52 inches) .....	36
2-1.	Rear Cover Removal .....	8		D5 Board Schematic Diagram (52 inches) .....	37
2-2.	Stand Removal .....	8		G5 Board Schematic Diagram (52 inches) .....	38
2-3.	Loudspeaker Removal .....	8		H3E Board Schematic Diagram .....	37
2-4.	Side Jack Bracket Assy Removal .....	8		H4 Board Schematic Diagram .....	37
2-5.	BGE Board Removal .....	9		IP5 Board Schematic Diagram (40/46 inches) ..	39
2-6.	D4 Board Removal (52 inches) .....	9		BGE Printed Wiring Board .....	41
2-7.	D5 Board Removal (52 inches) .....	9		D4 Printed Wiring Board (52 inches) .....	43
2-8.	G5 Board Board Removal (52 inches) .....	9		D5 Printed Wiring Board (52 inches) .....	44
2-9.	H3E Board Removal .....	10		G5 Printed Wiring Board (52 inches) .....	45
2-10.	H4 Board Removal .....	10		H3E Printed Wiring Board .....	44
2-11.	IP5 Board Removal (40/46 inches) .....	10		H4 Printed Wiring Board .....	44
				IP5 Printed Wiring Board (40/46 inches) .....	47
<b>3. SERVICE MENUS</b>			<b>5. EXPLODED VIEWS</b>		
3-1.	How to enter the Service Mode .....	11	5-1.	Chassis .....	49
3-2.	Product Version .....	11	5-2.	Bezel .....	51
3-3.	Service Config .....	11	5-3.	Rear Cover & Power Supply Cords .....	52
3-3-1.	Set-Up .....	12	<b>6. ELECTRICAL PARTS LIST</b> .....		53
3-3-2.	Sound .....	12			
3-3-3.	IF Adjust .....	12			
3-3-4.	White Balance .....	12			
3-4.	Error Menu .....	13			
3-5.	TT Mode .....	13			

**WARNING !!**

AN ISOLATION TRANSFORMER SHOULD BE USED DURING ANY SERVICE WORK TO AVOID POSSIBLE SHOCK HAZARD DUE TO LIVE CHASSIS, THE CHASSIS OF THIS RECEIVER IS DIRECTLY CONNECTED TO THE POWER LINE.

*SAFETY-RELATED COMPONENT WARNING !!*

*COMPONENTS IDENTIFIED BY SHADING AND MARKED Δ ON THE EXPLODED VIEWS AND IN THE PARTS LIST ARE CRITICAL FOR SAFE OPERATION. REPLACE THESE COMPONENTS WITH SONY PARTS WHOSE PART NUMBERS APPEAR AS SHOWN IN THIS MANUAL OR IN SUPPLEMENTS PUBLISHED BY SONY.*

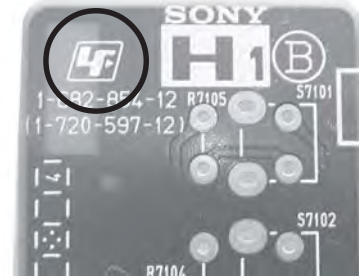
## SECTION 1 GENERAL

### CAUTION

#### Lead Free Soldered Boards

The circuit boards used in these models have been processed using Lead Free Solder. The boards are identified by the LF logo located close to the board designation e.g. H1 etc [ see example ]. The servicing of these boards requires special precautions to be taken as outlined below.

example



Lead Free Solder material must be used to comply with environmental requirements of new solder joints. Lead Free Solder is available under the following part numbers :


Partnumber	Diameter	Remarks
7-640-005-19	0.3mm	0.25Kg
7-640-005-20	0.4mm	0.50Kg
7-640-005-21	0.5mm	0.50Kg
7-640-005-22	0.6mm	0.25Kg
7-640-005-23	0.8mm	1.00Kg
7-640-005-24	1.0mm	1.00Kg
7-640-005-25	1.2mm	1.00Kg
7-640-005-26	1.6mm	1.00Kg

Due to the higher melting point of Lead Free Solder the soldering iron tip temperature needs to be set to 370 degrees centigrade. This requires soldering equipment capable of accurate temperature control coupled with a good heat recovery characteristics.

For more information on the use of Lead Free Solder, please refer to <http://www.sony-training.com>

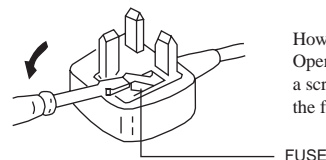
### UK PLUG WARNING

#### WARNING (UK Models only)

The flexible mains lead is supplied connected to a **B.S. 1363** fused plug having a fuse of the correct rating for the set. Should the fuse need to be replaced, use a fuse of the same rating approved by ASTA to **BS 1362**, ie one that carries the  mark.

IF THE PLUG SUPPLIED WITH THIS APPLIANCE IS NOT SUITABLE FOR THE OUTLET SOCKETS IN YOUR HOME, IT SHOULD BE CUT OFF AND AN APPROPRIATE PLUG FITTED. THE PLUG SEVERED FROM THE MAINS LEAD MUST BE DESTROYED AS A PLUG WITH BARED WIRES IS DANGEROUS IF ENGAGED IN A LIVE SOCKET.

When an alternative type of plug is used, it should be fitted with the correct rating fuse, otherwise the circuit should be protected by the same rating fuse at the distribution board.

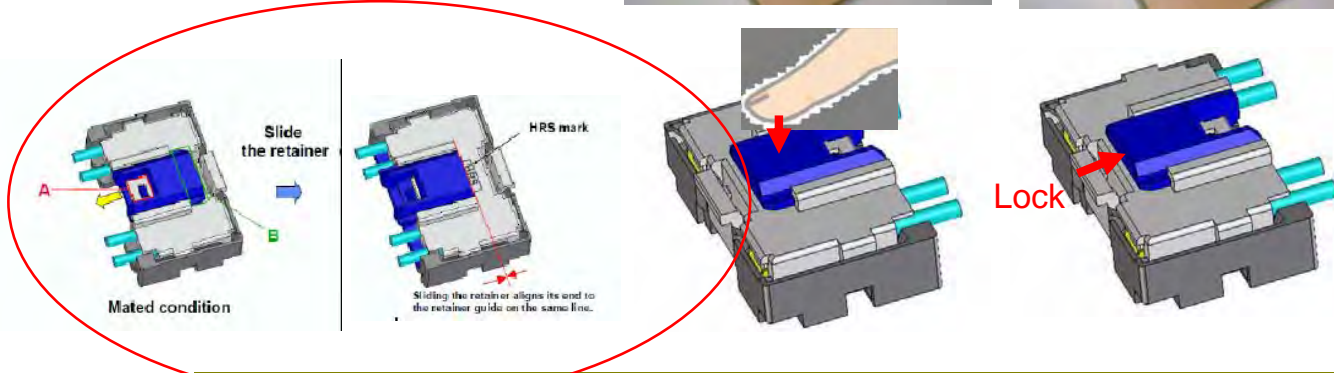


How to replace the fuse.  
Open the fuse compartment with a screwdriver blade and replace the fuse.

## Attachment of HIROSE MDF 61 connector

### 1. Insertion

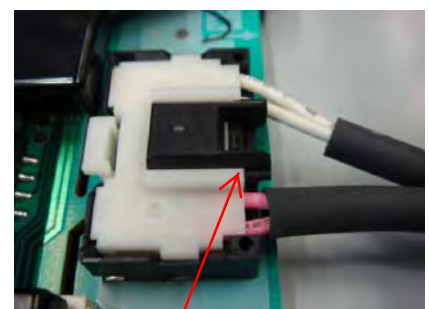
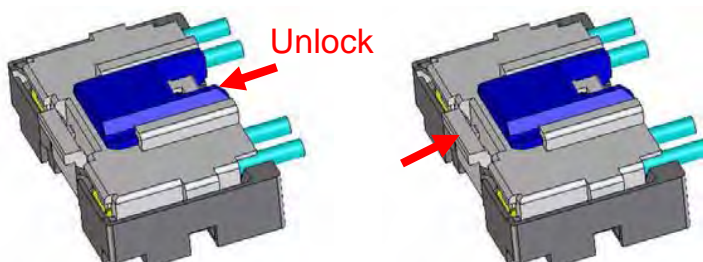
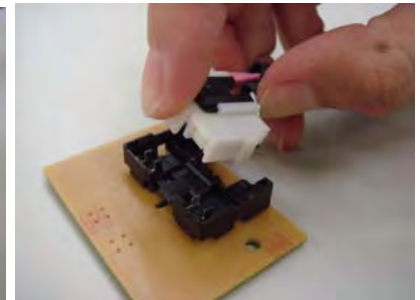
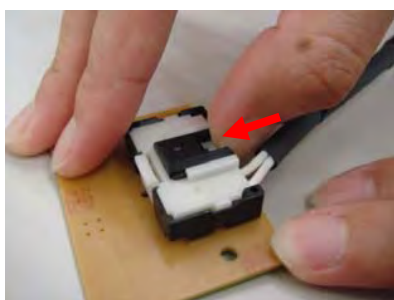
- (1) Hold the center of a connector → (2) Press the center of the connector to insert it → (3) Slide the slider to lock the connector



## Detachment of HIROSE MDF61 connector

### 2. Detachment

- (1) Slide the slider to release the slider lock → (2) Press the center lock tab to release the lock and pull the connector up



locked state

## SPECIFICATIONS

Television System	Channel Coverage	Colour/Video System
Analogue: Depending on your country/region B/G/H, D/K, L, I  Digital: Depending on model DVB-T/DVB-C	Analogue: VHF : E2-E12 UHF : E21-E69 CATV : S1-S20 HYPER : S21-S41 D/K: R1-R12, R21-R69 L: F2-F10, B-Q, F21-F69 I: UHF B21-B69  Digital: VHF/UHF	Analogue: PAL, SECAM NTSC 3.58/4.43 (VIDEO IN)  Digital: MPEG-2 MP@ML/HL, H.264/MPEG-4 AVC HP@L4.0, MP@L3.0

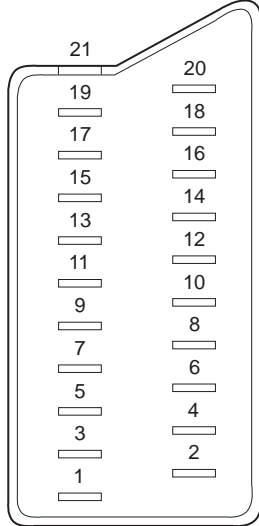
Input/Output Terminals [REAR]		General Specifications	
1: 21-pin Euro connector (CENELEC standard)	Inputs for Audio and Video signals. Inputs for RGB. Outputs of TV Video and Audio signals.	Power Requirements	220 - 240V
		Power Consumption/Standby	(40 inches): Approx 205W/0.2W (Home/Standard mode) Approx 234W/0.2W (Shop/Vivid mode) (46 inches): Approx 256W/0.2W (Home/Standard mode) Approx 282W/0.2W (Shop/Vivid mode) (52 inches): Approx 257W/0.2W (Home/Standard mode) Approx 293W/0.2W (Shop/Vivid mode)
2: 21-pin Euro connector (CENELEC standard)	Inputs for Audio and Video signals. Inputs for RGB and S Video. Outputs of Video and Audio signals (Selectable). SmartLink interface.	Dimensions	(40 inches): Approx 986x684x279mm (With stand) Approx 986x646x110mm (Without stand) (46 inches): Approx 1120x782x307mm (With stand) Approx 1120x742x115mm (Without stand) (52 inches): Approx 1262x871x347mm (With stand) Approx 1262x829x119mm (Without stand)
		Weight	Approx 23.0kg (40 inches with stand) Approx 19.5kg (40 inches without stand) Approx 31.0kg (46 inches with stand) Approx 26.5kg (46 inches without stand) Approx 39.5kg (52 inches with stand) Approx 33.0kg (52 inches without stand)
Component In	Supported formats: 1080p, 1080i, 720p, 576p, 576i, 480p, 480i Y: 1 Vp-p, 75 ohms, 0.3 negative sync PB/CB: 0.7 Vp-p, 75 ohms PR/CR: 0.7 Vp-p, 75 ohms	Other Features	High Picture & Sound Quality, Bravia Sync, Full HD Resolution 1920x1080, XMB, Live Colour Creation / WCG-CCFL Backlight, High Dynamic Contrast Ratio, USB Input, 3 HDMI inputs, PC input, New S-Force, PAP, MPEG Noise Reduction, Digital Media Port, Radio Screen Saver, Picture Frame Mode, 24P True Cinema, PAP, PIP Freeze, Photo Map.
HDMI Inputs	Video: 1080/24p, 1080p, 1080i, 720p, 576p, 576i, 480p, 480i Audio: Two channel linear PCM 32, 44.1 and 48kHz, 16, 20 and 24 bits Analogue audio: 500mVrms, (HDMI IN 2 only)		
PC Input	Video: 15 Pin D Sub Connector Audio: Minijack	<b>Sound Output</b>	
DMPort	Digital Media Port	Right and Left speaker	2 x 10W (RMS)
Digital Out	Digital Optical Jack Audio Output: Phono jack		
LAN	10BASE-T/100BASE-TX connector		
CAM	Conditional Access Module Slot		
Input/Output Terminals [SIDE]		Remote control system : Infrared control	
Headphone jack	Stereo mini jack	Power requirements	3V dc 2 batteries IEC designation R06 (size AA)
Audio input	Phono jacks		
Video input	Phono jack		
USB input	USB port		
HDMI input	HDMI Connector		

**Design and specifications are subject to change without notice.**



# CONNECTORS

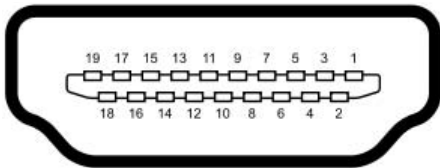
## 21 Pin Connector (SCART)



Pin No	1	2	Signal	Signal level
1	○	○	Audio output B (right)	Standard level : 0.5V rms Output impedance : Less than 1kohm*
2	○	○	Audio input B (right)	Standard level : 0.5V rms Output impedance : More than 10kohm*
3	○	○	Audio output A (left)	Standard level : 0.5V rms Output impedance : Less than 1kohm*
4	○	○	Ground (audio)	
5	○	○	Ground (blue)	
6	○	○	Audio input A (left)	Standard level : 0.5V rms Output impedance : More than 10kohm*
7	○	○	Blue input	0.7 +/- 3dB, 75 ohms positive
8	○	○	Function select (AV control)	High state (9.5-12V) : Part mode Low state (0-2V) : TV mode Input impedance : More than 10K ohms Input capacitance : Less than 2nF
9	○	○	Ground (green)	
10	●	○	AVlink	
11	○	○	Green	Green signal : 0.7 +/- 3dB, 75 ohms, positive
12	●	●	Open	
13	○	○	Ground (red)	
14	○	○	Ground (blanking)	
15	○	○	Red input	0.7 +/- 3dB, 75 ohms, positive
	-	-	(S signal Chroma input)	0.3 +/- 3dB, 75 ohms, positive
16	○	○	Blanking input (Y's signal)	High state (1-3V) Low state (0-0.4V) Input impedance : 75 ohms
17	○	○	Ground (video output)	
18	○	○	Ground (video input)	
19	○	○	Video output	1V +/- 3dB, 75ohms, positive sync 0.3V (-3+10dB)
	○	○	Video input	1V +/- 3dB, 75ohms, positive sync 0.3V (-3+10dB)
20	-	-	Video input Y (S signal)	1V +/- 3dB, 75ohms, positive sync 0.3V (-3+10dB)
21	○	○	Common ground (plug, shield)	

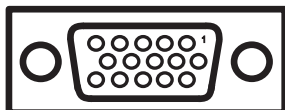
○ Connected ● Not Connected (open) \* at 20Hz - 20kHz

## HDMI Connector



Pin No	Signal Assignment	Pin No	Signal Assignment
1	TMDS Data2+	11	TMDS Clock Shield
2	TMDS Data2 Shield	12	TMDS Clock-
3	TMDS Data2-	13	CEC
4	TMDS Data1+	14	Reserved (N.C. on device)
5	TMDS Data1 Shield	15	SCL
6	TMDS Data1-	16	SDA
7	TMDS Data0+	17	DDC/CEC Ground
8	TMDS Data0 Shield	18	+5V Power
9	TMDS Data0-	19	Hot Plug Detect
10	TMDS Clock+		

## 15 Pin D Sub Connector (PC)



Pin No	Signal Assignment	Pin No	Signal Assignment
1	Red Out	9	+5V DC
2	Green Out	10	Sync Return (Ground)
3	Blue Out	11	Monitor ID0 in Display
4	Unused	12	DCC Serial Data
5	Ground	13	Horizontal Sync
6	Red Return	14	Vertical Sync
7	Green Return (Ground)	15	DCC Serial Clock
8	Blue Return (Ground)		



## EG1L SELF DIAGNOSTIC SOFTWARE

The identification of errors within the EG1L chassis is triggered in one of two ways :- 1: Busy or 2: Device failure to respond to IIC. In the event of one of these situations arising the software will first try to release the bus if busy (Failure to do so will report with a continuous flashing LED) and then communicate with each device in turn to establish if a device is faulty. If a device is found to be faulty the relevant device number will be displayed through the LED (Series of flashes which must be counted).

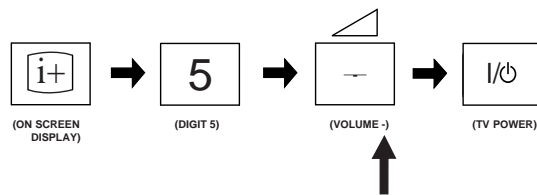
### LED Error Codes and Descriptions

Number of LED Flashes	Error Description	Micro	Checked	Action
02	DC_DET (12V main voltage).	VERD	In normal mode.	Goes into standby and LED flashes.
06	Panel Det error.	VERD	In normal mode.	Goes into standby and LED flashes.
07	Internal temperature error.	VERD	In normal mode.	Goes into standby and LED flashes.
08	Audio error (SP protection).	VERD	In normal mode.	Goes into standby and LED flashes.
10	Digital error.	VCT	In normal mode.	Adds error to error menu.
11	NVM error.	VCT	In initialisation state.	Adds error to error menu.
12	I2C error VCT.	VCT	In normal mode.	Adds error to error menu.
13	Balancer error.	VERD	In normal mode.	Goes into standby and LED flashes.
14	HDMI error.	VCT	In initialisation state.	Adds error to error menu.
15	Tuner Error	VCT	In initialisation state.	Adds error to error menu.
16	I2C CH1 (VERD TAS).	VERD	Factory mode.	LED error.
17	I2C CH0 (VERD NVM/RTC).	VERD	Factory mode.	LED error.
18	Digital demod.	EMMA	In normal mode.	Adds error to error menu.
19	USB error	EMMA	In normal mode.	Adds error to error menu.
20	CI error	EMMA	In normal mode.	Adds error to error menu.
21	VCT error	VERD	In normal mode.	LED error.
22	MSP error.	VCT	In initialisation state.	Adds error to error menu.

### Self Diagnostic Screen Display

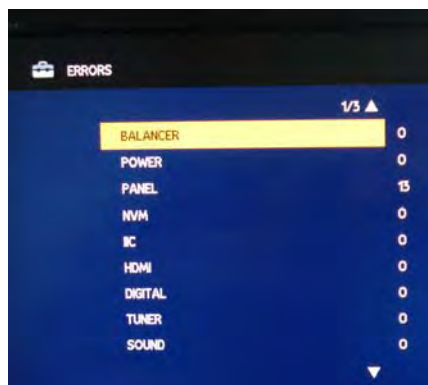
#### To bring up the self diagnostic screen display

In standby mode, press the following sequence of buttons in quick succession on the remote commander as shown below:



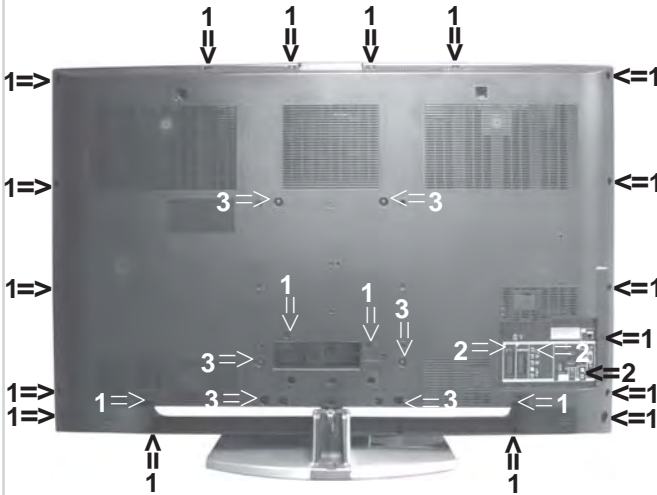
Note that this differs from entering the service mode (volume **+**)

The following menu appears as shown below:



## SECTION 2 DISASSEMBLY

### 2-1. Rear Cover Removal

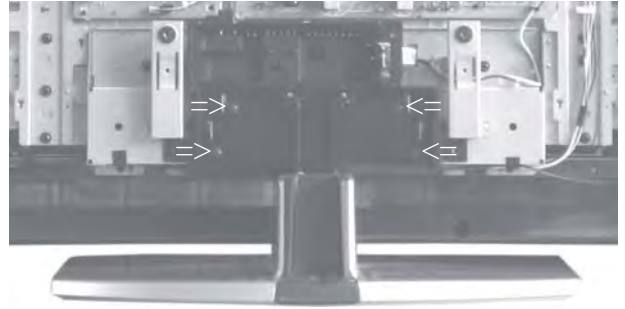


Remove the rear cover fixing screws indicated and pull the rear cover gently backwards away from the back of the TV set.

**Screw Part number(s) and Description(s)**

- 1) 2-580-640-01 SCREW, +BVTP2 4X16 (21 Screws)
- 2) 7-685-648-79 SCREW, +BVTP 3X12 TYPE2 IT-3 (3 Screws)
- 3) 2-580-608-01 SCREW, +PSW M5X16 (6 Screws)

### 2-2. Stand Removal

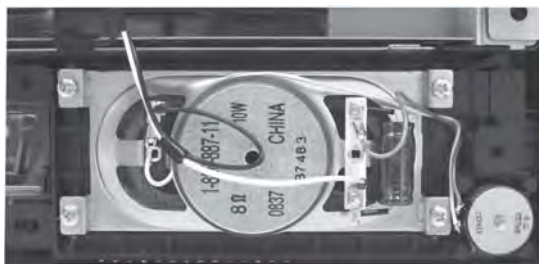


Remove the 4 stand fixing screws as indicated.

**Screw Part number(s) and Description(s)**

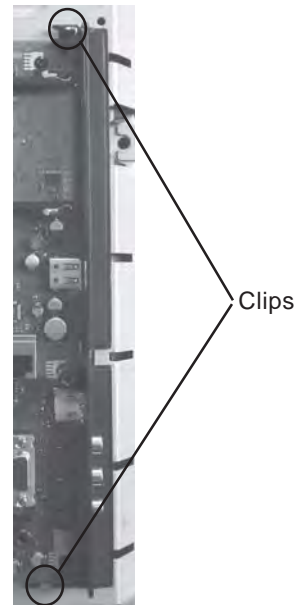
- 2-580-608-01 SCREW, +PSW M5X16 (4 Screws)

### 2-3. Loudspeaker Removal



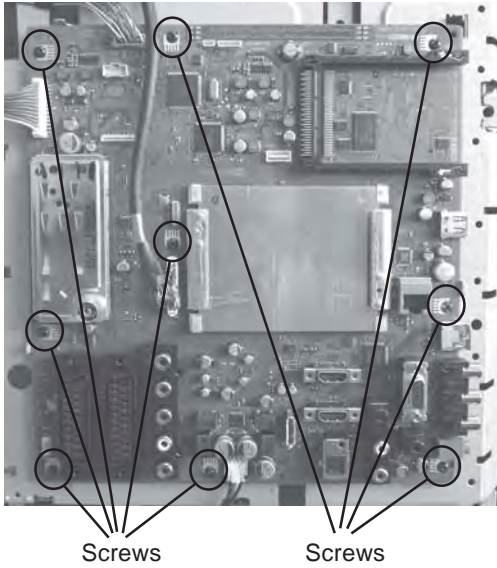
To remove the loudspeaker disconnect the speaker cables and then pull the loudspeaker gently backwards away from the back of the TV set.

### 2-4. Side Jack Bracket Assy Removal



To remove the side jack bracket assy release the 2 clips circled.

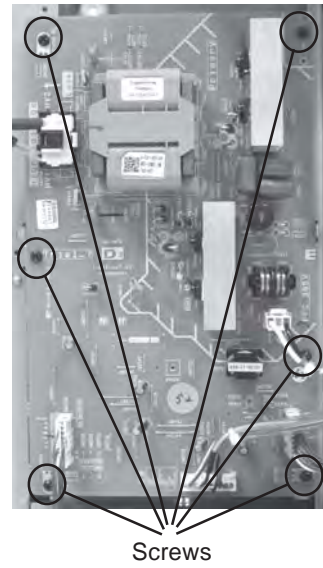
### 2-5. BGE Board Removal



To remove the BGE board disconnect all connectors and then remove the 9 screws circled and ease the board gently away from the back of the TV set.

Screw Part number(s) and Description(s)  
2-580-629-01 SCREW, +BVST 3X8 (9 Screws)

### 2-6. D4 Board Removal (52 inches)

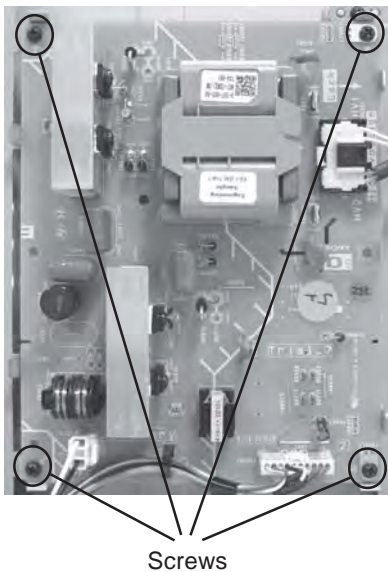


To remove the D4 board disconnect all connectors and then remove the 6 screws circled and ease the board gently away from the back of the TV set.

**Note:** Refer to page 4 - Hirose MDF61 connector.

Screw Part number(s) and Description(s)  
2-580-629-01 SCREW, +BVST 3X8 (6 Screws)

### 2-7. D5 Board Removal (52 inches)

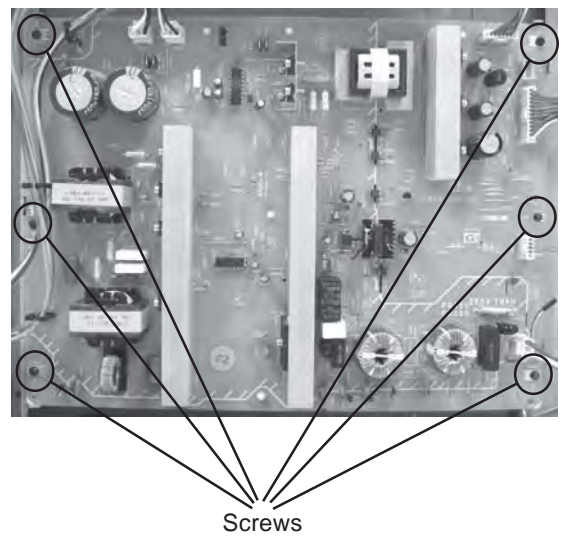


To remove the D5 board disconnect all connectors and then remove the 4 screws circled and ease the board gently away from the back of the TV set.

**Note:** Refer to page 4 - Hirose MDF61 connector.

Screw Part number(s) and Description(s)  
2-580-629-01 SCREW, +BVST 3X8 (4 Screws)

### 2-8. G5 Board Removal (52 inches)



To remove the G5 board disconnect all connectors and then remove the 6 screws circled and ease the board gently away from the back of the TV set.

Screw Part number(s) and Description(s)  
2-580-629-01 SCREW, +BVST 3X8 (6 Screws)

### 2-9. H3E Board Removal



Clips

To remove the H3E board disconnect the connector and then release the clips circled and gently ease the board towards you and away from the back of the TV set.

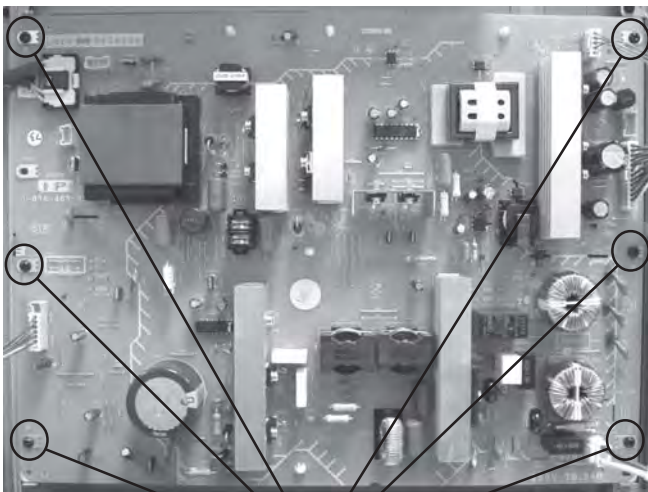
### 2-10. H4 Board Removal



Clip

To remove the H4 board disconnect the connector and then release the clip circled and ease the board gently towards you and away from the back of the TV set.

### 2-11. IP5 Board Removal (40/46 inches)



Screws

To remove the IP5 board disconnect all connectors and then remove the 6 screws circled and ease the board gently away from the back of the TV set.

**Note:** Refer to page 4 - Hirose MDF61 connector.

Screw Part number(s) and Description(s)

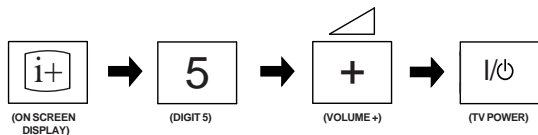
2-580-629-01 SCREW, +BVST 3X8 (6 Screws)

## SECTION 3 SERVICE MENUS

### 3-1. How to enter the Service Mode

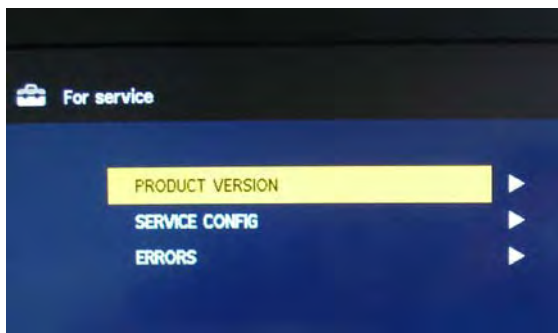
Service adjustments to this model can be performed using the supplied Remote Commander RM-ED011.

1. Turn on the power to the TV set and enter into the stand-by mode.
2. Press the following sequence of buttons on the Remote Commander.



3. The following menu appears on the screen (See Pic.1).

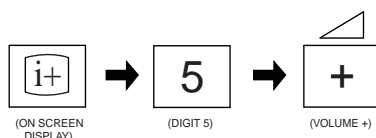
Pic.1



4. Move to the corresponding adjustment item using the '↑' or '↓' arrow buttons on the Remote Commander.
5. Press the '→' arrow button to enter into the required menu item.
6. Adjust the data value using the '↑' or '↓' arrow buttons on the Remote Commander.
7. To go back at any time press the 'Return' button on the Remote Commander.
8. Press the 'Menu' button on the Remote Commander to quit the Service Mode when all adjustments have been completed.

#### Note :

- To place the Remote Commander in 'Service Mode' press the following buttons together for two seconds.



- To use the Remote Commander in 'Service Mode' press the rewind button on the Remote Commander twice.



TT will then appear in the bottom right hand corner of the TV.

- To take the Remote Commander out of 'Service Mode' press the same buttons above together again for two seconds or remove the batteries from the Remote Commander.
- After carrying out the service adjustments, to prevent the customer accessing the 'Service Menu' switch the TV set OFF and then ON again.

### 3-2. Product Version

1. The following menu appears on the screen when you enter the 'Product Version' menu (See Pic.2). Be sure to check all pages.

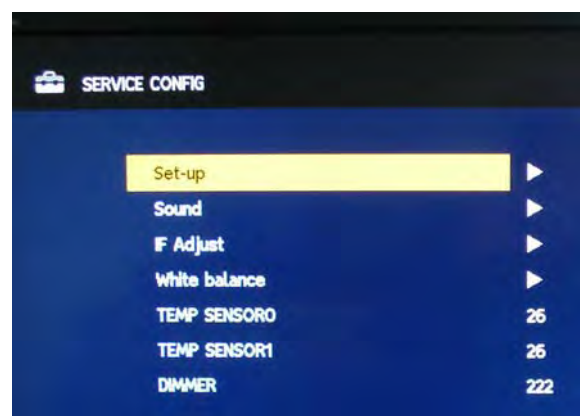
Pic.2



### 3-3. Service Config

1. The following menu appears on the screen when you enter the 'Service Config' menu (See Pic.3).

Pic.3

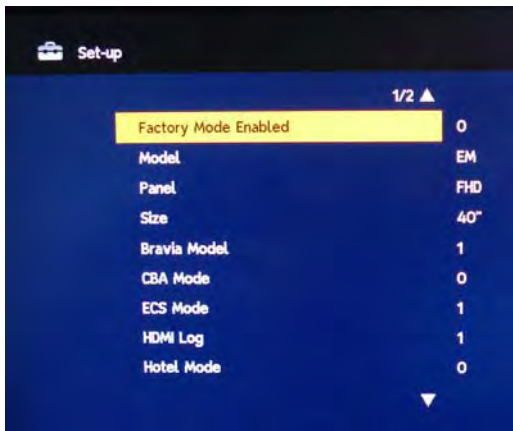




### 3-3-1. Set-Up

1. The following menu appears on the screen when you enter the 'Set-up' menu (See Pic.4). Be sure to check all pages.

Pic.4



### 3-3-3. IF Adjust

1. The following menu appears on the screen when you enter the 'IF Adjust' menu (See Pic.6).

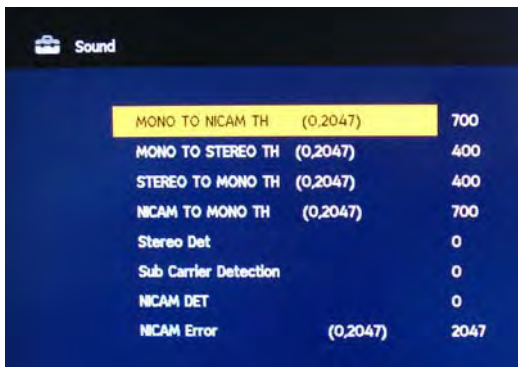
Pic.6



### 3-3-2. Sound

1. The following menu appears on the screen when you enter the 'Sound' menu (See Pic.5).

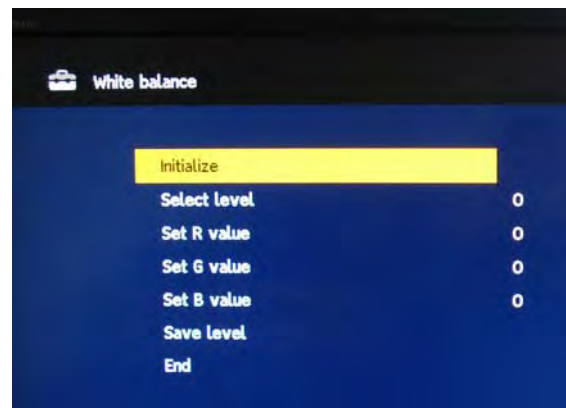
Pic.5



### 3-3-4. White Balance

1. The following menu appears on the screen when you enter the 'White balance' menu (See Pic.7).

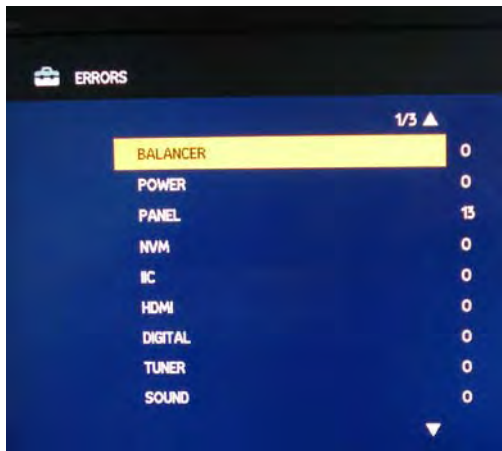
Pic.7



### 3-4. Error Menu

- The following menu appears on the screen when you enter the 'Error Menu' menu (See Pic.8). Be sure to check all pages.

Pic.8



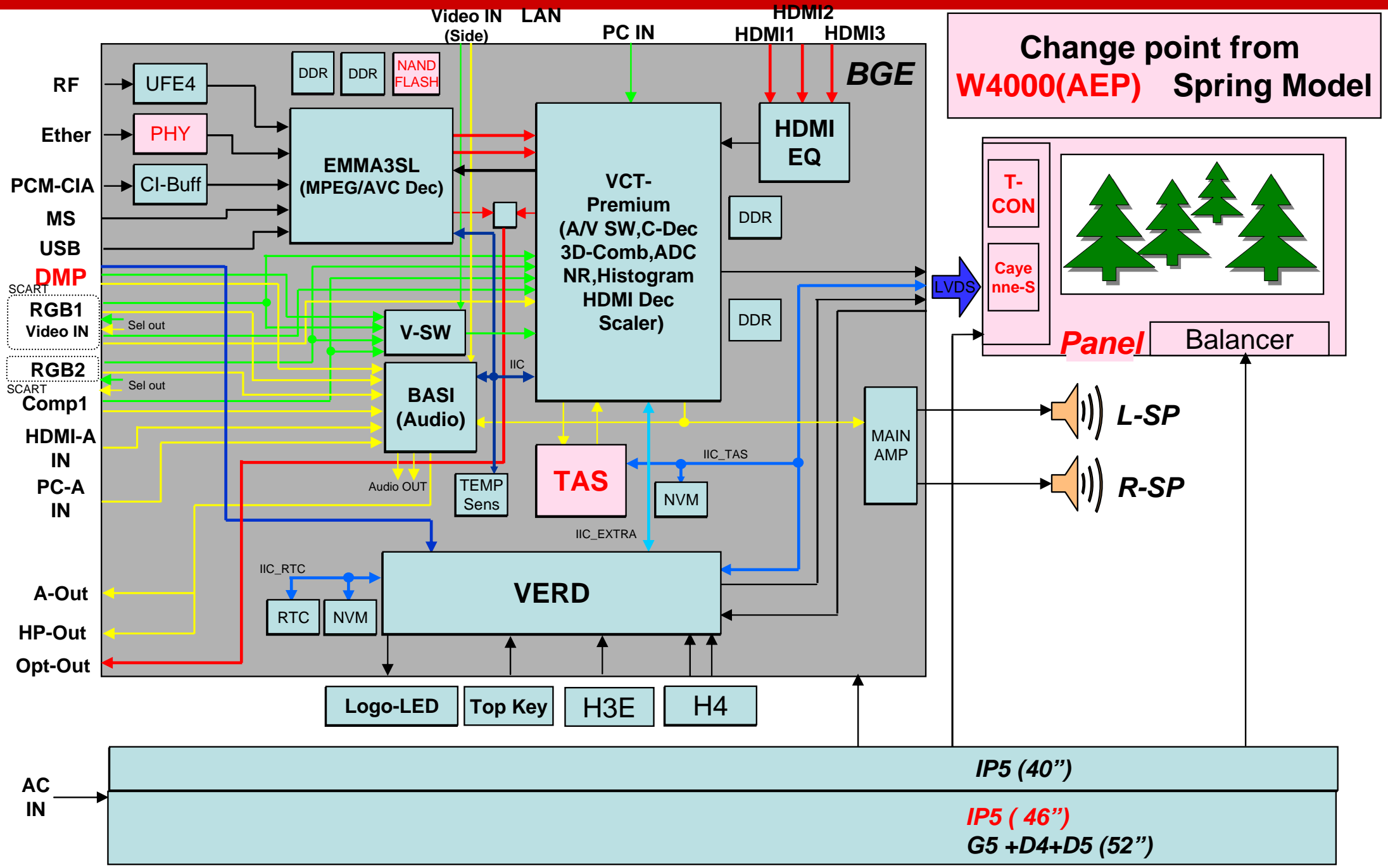
### 3-5. TT MODE

TT mode is available by setting the TV and Remote Commander for operation in Service Mode [ As shown on Page 11 ]. The functions described below are then available by selecting the two numbers. To release the 'TT mode' press 00. To release the TT menu press the menu key.

00	'TT' mode off
03	Set volume to 35%
04	Set volume to 50%
05	Set volume to 65%
06	Set volume to 80%
07	Ageing mode on
08	Shipping Condition
09	WB adj initial condition
19	Factory mode toggle (on/off)
25	40" FHD//EM model
26	46" FHD//EM model
27	CBA mode toggle (ON/OFF)
31	ECS mode toggle (ON/OFF)
32	Set BCN channels preset
34	HDMI log enable/disable
35	Hotel mode toggle
38	OTRUM mode toggle
39	Enable digital test
41	Re-initialise NVM

43	Select Dual Sound A
44	Select Dual Sound B
45	Select Dual Sound Mono
46	Select Dual Sound Stereo
48	Set NVM as non-virgin
49	Set NVM as virgin
54	Watchdog toggle
57	Gemstar Service Mode (EG1L)
58	Reset package version
59	Visual I2C toggle (VCT micro slave mode)
61	Set 52" FHD//EM model
69	WXGA/FHD panel selection
71	Auto AGC
72	VESA/JEIDA panel selection
73	HDMI number of inputs (0 to 2)
74	DDC enable
75	Set centred balance
76	Set volume to max
77	Set volume to min
78	Set balance full left
79	Set balance full right
81	Digital BER display
82	Digital Service menu
83	Digital colour bar output from DENC
84	TS CI path through
85	Digital tuner power down (Only one power cycle, default is no power down)
86	Switch between two digital SW banks
87	Local keys test
88	Digital shipping conditions (Clear tune database)
89	LED test
91	OAD enable/disable toggle
92	TS CI path through with Reed Solomon off
95	Ether Check Ping (EG1H)
96	Digital debug output enable/disable
97	Digital 656 output enable/disable
98	Digital Auto Reset function enable/disable

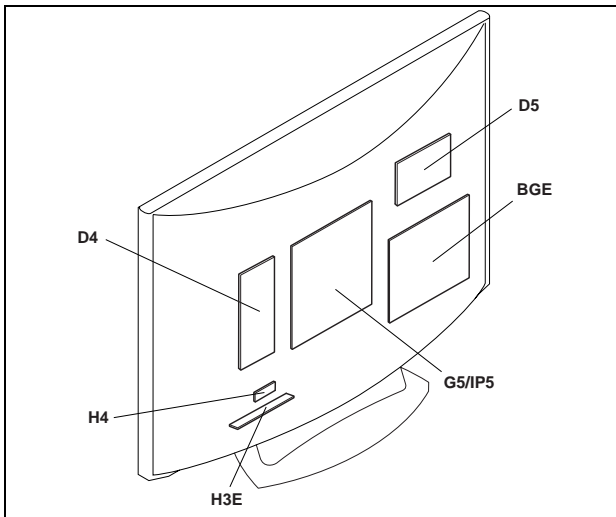
# Block Diagram (W4500 AEP/UK)



BRAVIA



## 4-2. CIRCUIT BOARD LOCATION



## 4-3. SCHEMATIC DIAGRAMS AND PRINTED WIRING BOARDS

### Note :

- All capacitors are in  $\mu\text{F}$  unless otherwise noted.
- $\text{pF}$  :  $\mu\text{F}$  50WV or less are not indicated except for electrolytic types.
- Indication of resistance, which does not have one for rating electrical power, is as follows.

Pitch : 5mm  
Electrical power rating : 1/4W

- Chip resistors are 1/10W
- All resistors are in ohms.  
k = 1000 ohms, M = 1000,000 ohms
- : nonflammable resistor.
- : fusible resistor.
- : internal component.
- : panel designation or adjustment for repair.
- All variable and adjustable resistors have characteristic curve B, unless otherwise noted.
- All voltages are in Volts.
- Readings are taken with a 10Mohm digital mutimeter.
- Readings are taken with a color bar input signal.
- Voltage variations may be noted due to normal production tolerances.
- : B + bus.
- : B - bus.
- : RF signal path.
- : earth - ground.
- : earth - chassis.

## Reference Information

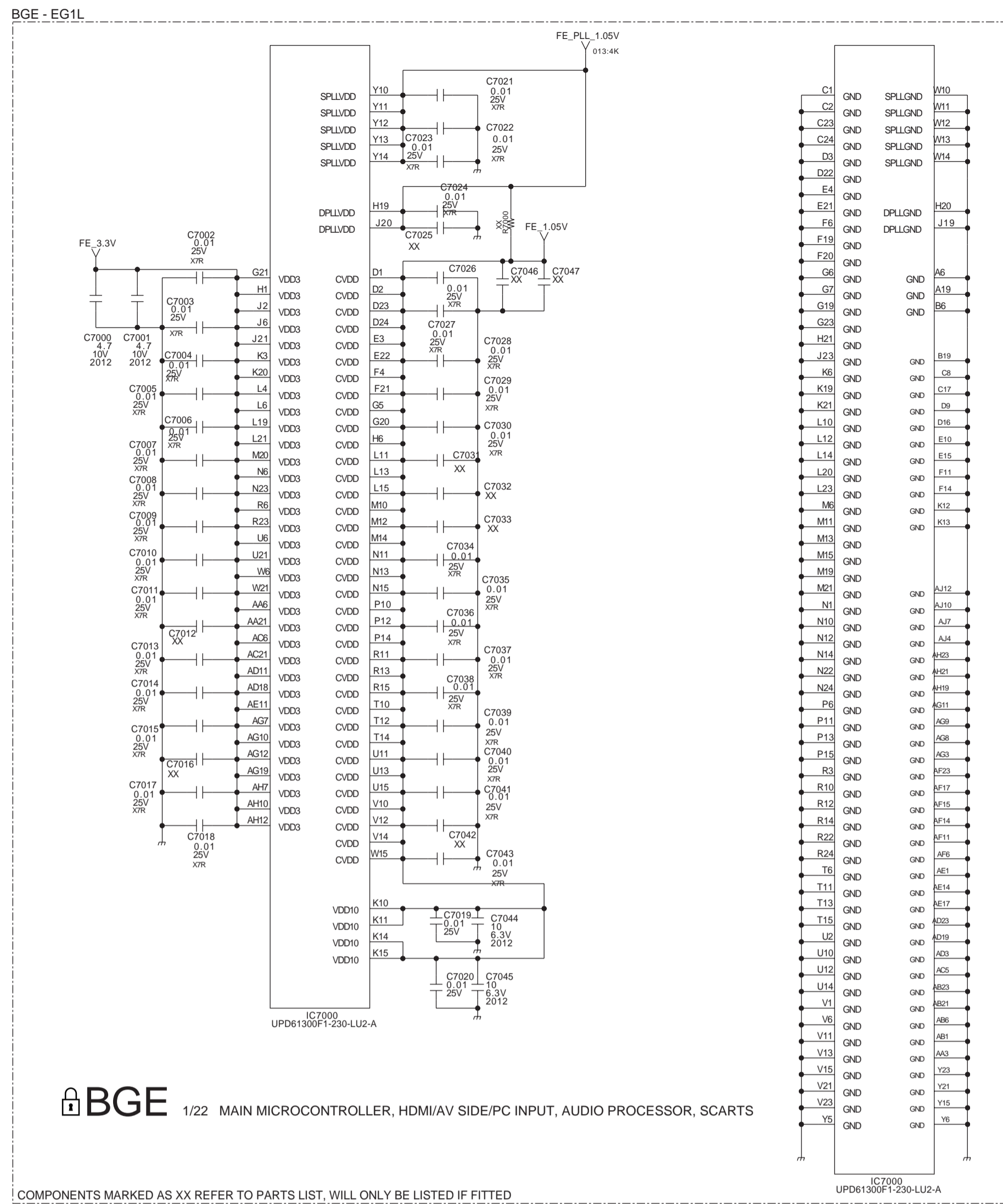
RESISTOR	RN	: METAL FILM
	RC	: SOLID
	FPRD	: NON FLAMMABLE CARBON
	FUSE	: NON FLAMMABLE FUSIBLE
	RS	: NON FLAMMABLE METAL OXIDE
	RB	: NON FLAMMABLE CEMENT
	RW	: NON FLAMMABLE WIREWOUND
		: ADJUSTMENT RESISTOR
COIL	LF-8L	: MICRO INDUCTOR
CAPACITOR	TA	: TANTALUM
	PS	: STYROL
	PP	: POLYPROPYLENE
	PT	: MYLAR
	MPS	: METALIZED POLYESTER
	MPP	: METALIZED POLYPROPYLENE
	ALB	: BIPOLAR
	ALT	: HIGH TEMPERATURE
	ALR	: HIGH RIPPLE

**Note :** The components identified by shading and marked are critical for safety. Replace only with the part numbers specified in the parts list.

**Note :** Les composants identifiés par une trame et par une marque sont d'une importance critique pour la sécurité. Ne les remplacer que par des pièces de numéro spécifié.

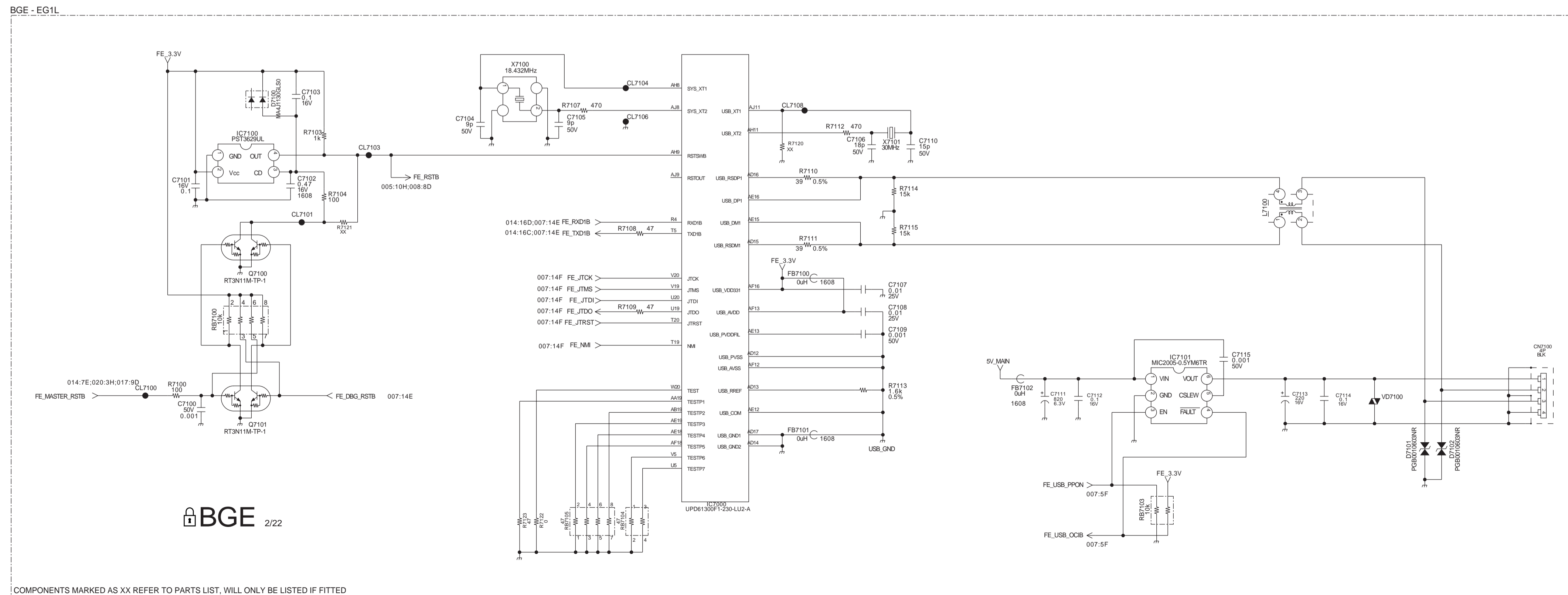
**Note :** The components identified by mark contain confidential information. Strictly follow the instructions whenever the components are repaired and/or replaced.

**Note:** Schematic diagrams are for reference only. Please refer to the electrical parts list for the correct value and part number of components.



**BGE** 1/22 MAIN MICROCONTROLLER, HDMI/AV SIDE/PC INPUT, AUDIO PROCESSOR, SCARTS

- BGE Board Schematic Diagram [ Main Microcontroller, HDMI/AV Side/PC Input, Audio Processor, Scarts ] Page 1/22 -



**BGE** 2/22

- BGE Board Schematic Diagram [ Main Microcontroller, HDMI/AV Side/PC Input, Audio Processor, Scarts ] Page 2/22 -

BGE-EG1L

**BGE** 3/22

**PWB LAYOUT NOTE:**  
Pin-swap allowed on these resistor arrays for optimal PWB layout

**STRAP SETTINGS**

**PWB LAYOUT NOTE:**  
Place fitted strap resistors in groups of 4 or 8 to allow replacement by resistor arrays during later trial

**STRAP SETTINGS**

- RADD[ 0] = CPU\_ENDIAN = 1 = Big
- RADD[ 1] = test = 0
- RADD[ 2] = test = 0
- RADD[ 4: 3] = CPUCLK\_SEL[1:0] = 01 = 262.144MHz
- RADD[ 5] = MCLK\_SEL = 0 = 327.680MHz
- RADD[ 6] = ROM\_ENDIAN = 1 = Big
- RADD[ 7] = ROM\_BWSEL = 1 = 8-bit
- RADD[10: 8] = BOOT\_MODE[2:0] = 011 = NAND, then MS
- RADD[12:11] = BOOT\_NAND\_SEL[1:0] = 01 = >=512Mb 00 = <=256MB
- RADD[13] = NAND\_CS = 0 = CS0
- RADD[14] = test = 0
- RADD[15] = test = 0
- RADD[16] = test = 0
- RADD[17] = EJTAG\_MODE = 1 = EJTAG
- RADD[18] = DINT\_EN = 0 = Disable
- RADD[19] = DSYSELB = 1 = Only Main CPU

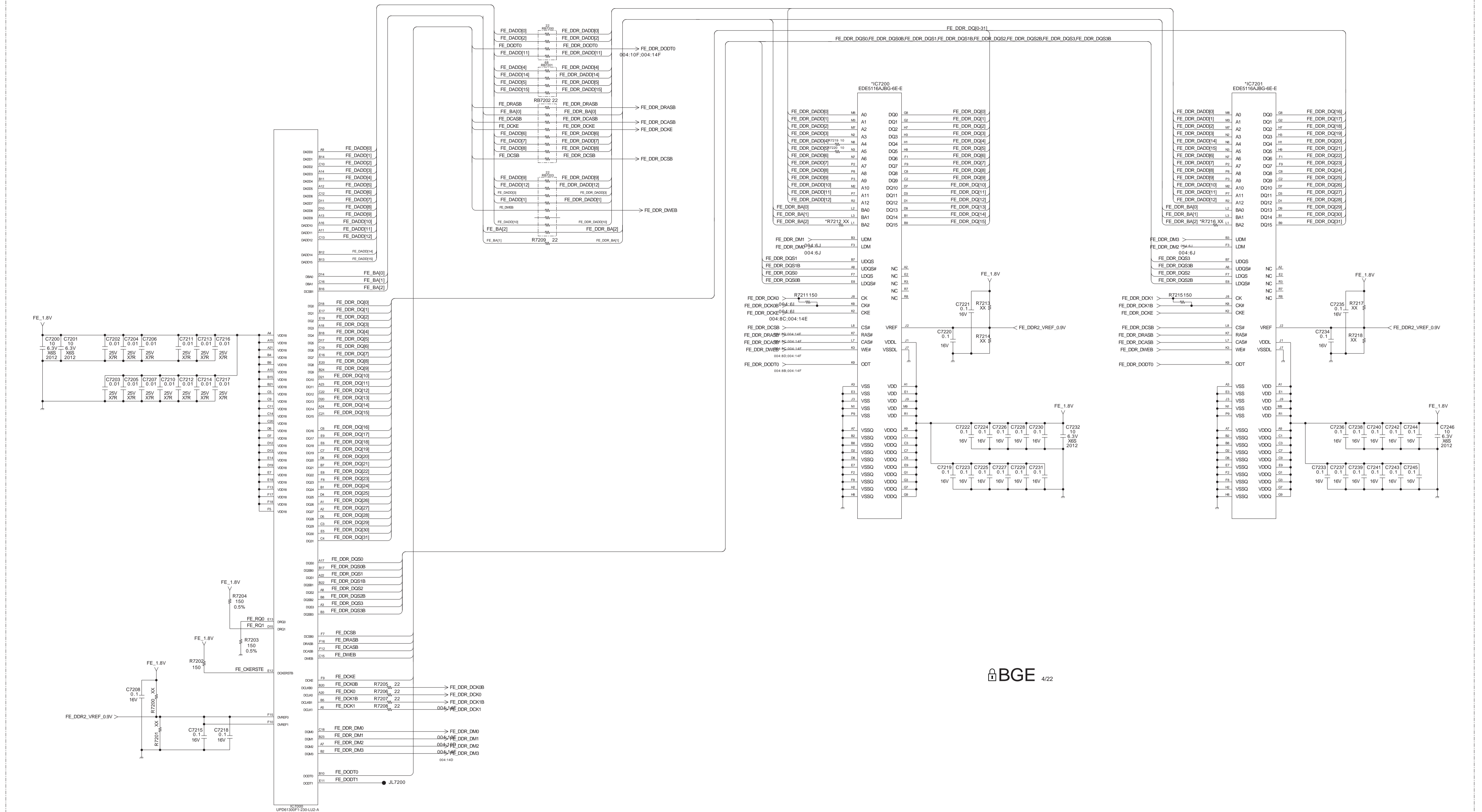
To force Boot from MS:  
connect (short) together CL7302 & CL-7303

Place CLs together and in accessible location

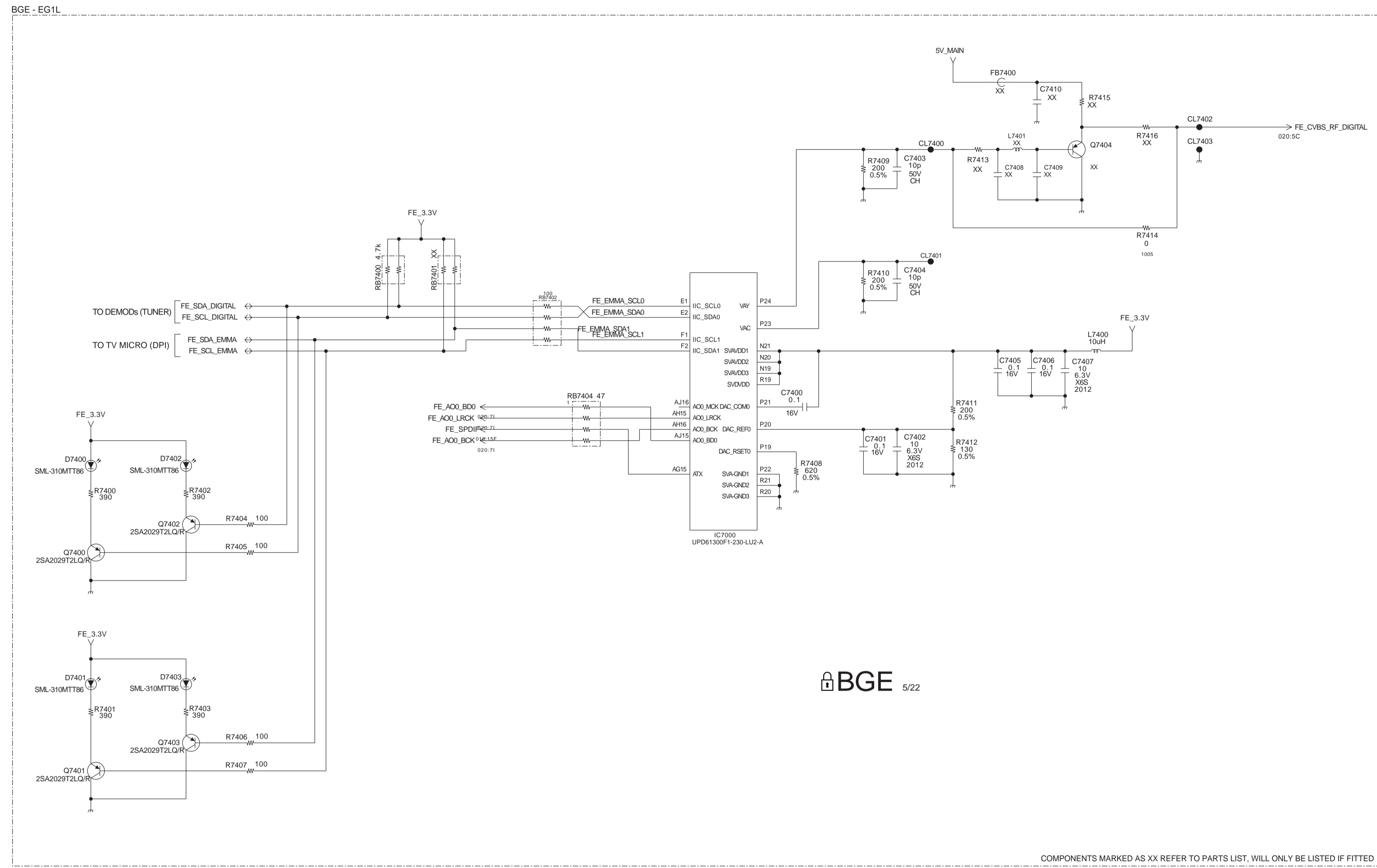
**PWB LAYOUT NOTE:**  
Place NAND-FLASH with consideration for changing from TSOP to FBGA package

COMPONENTS MARKED AS XX REFER TO PARTS LIST. WILL ONLY BE LISTED IF FITTED





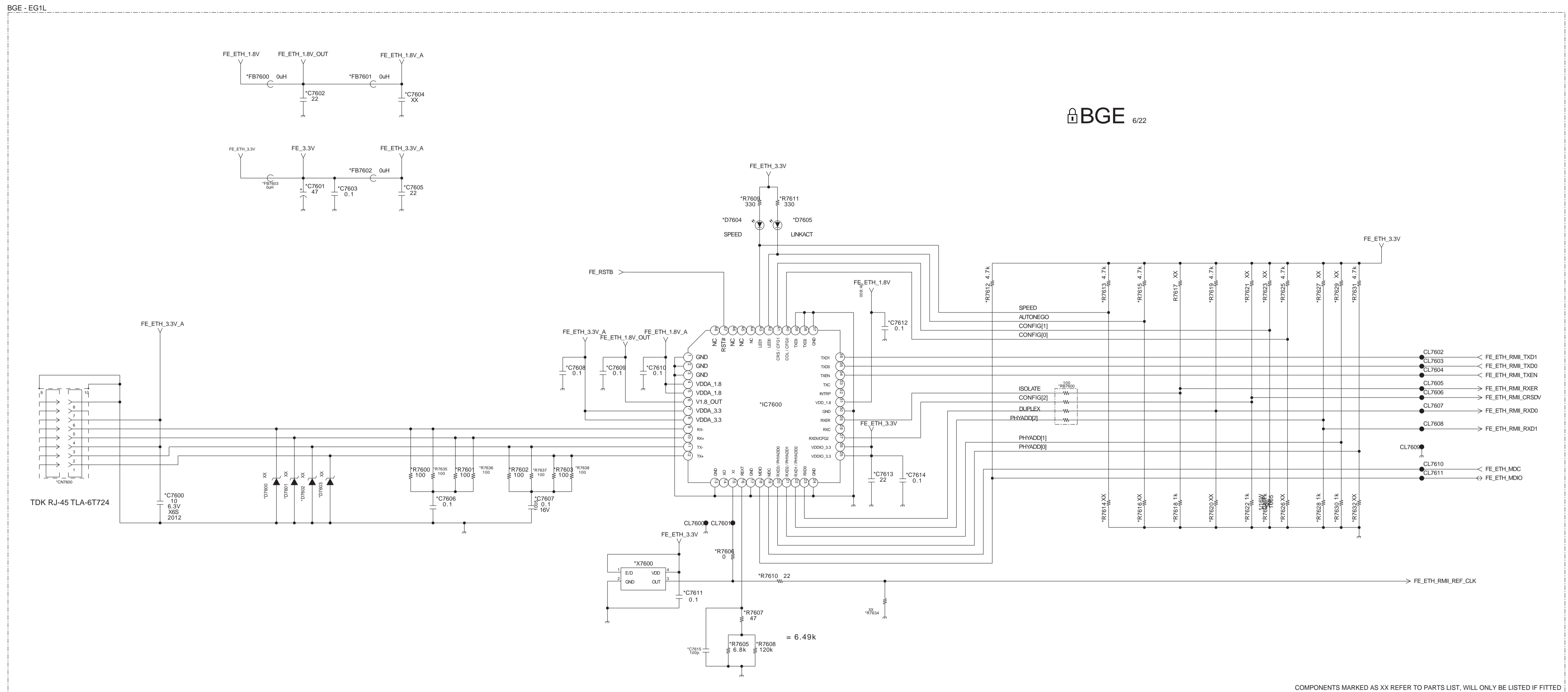
COMPONENTS MARKED AS XX REFER TO PARTS LIST. WILL ONLY BE LISTED IF FITTED



BGE 5/22

COMPONENTS MARKED AS XX REFER TO PARTS LIST, WILL ONLY BE LISTED IF FITTED

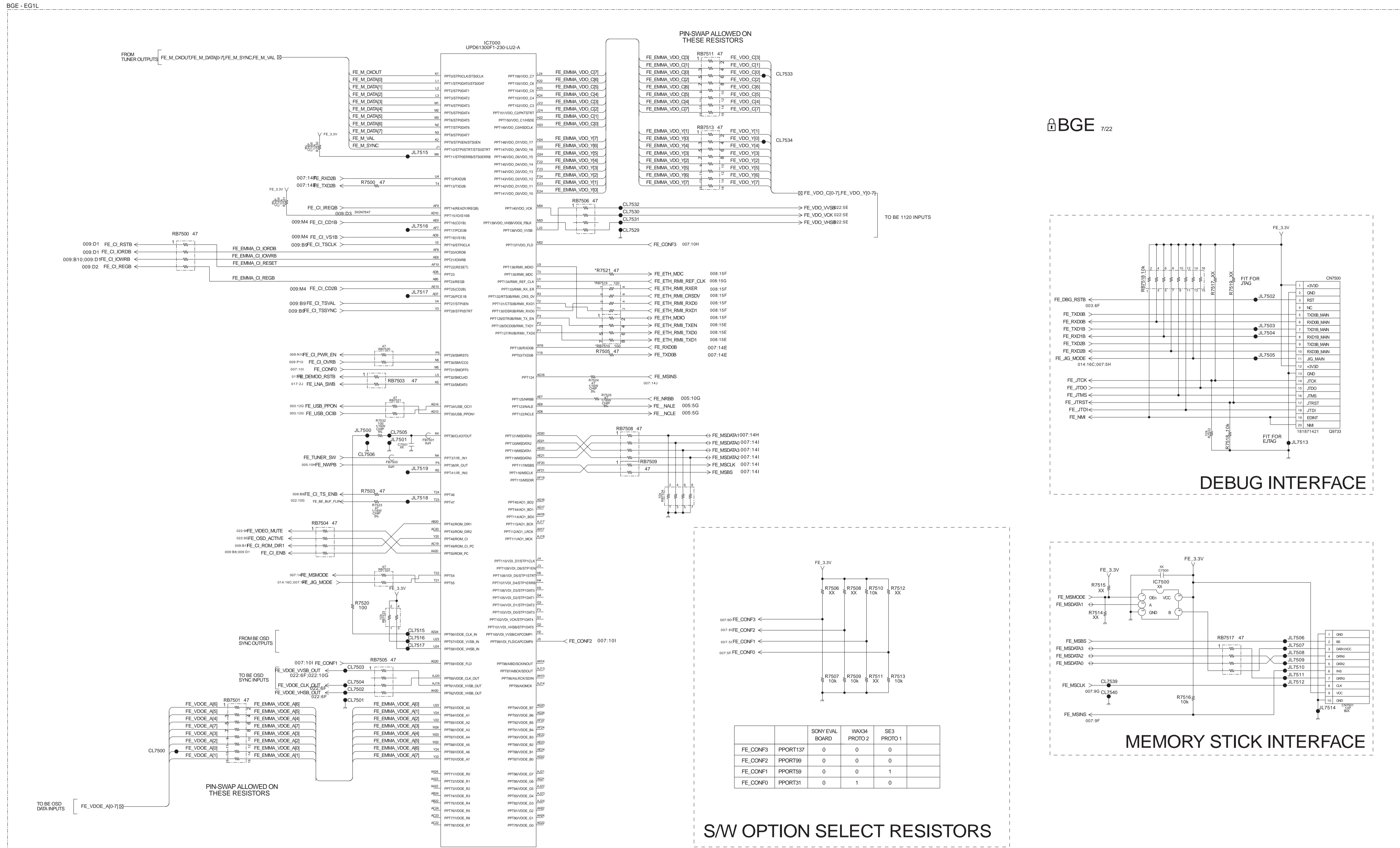
~ BGE Board Schematic Diagram [ Main Microcontroller, HDMI/AV Side/PC Input, Audio Processor, Scarts ] Page 5/22 ~



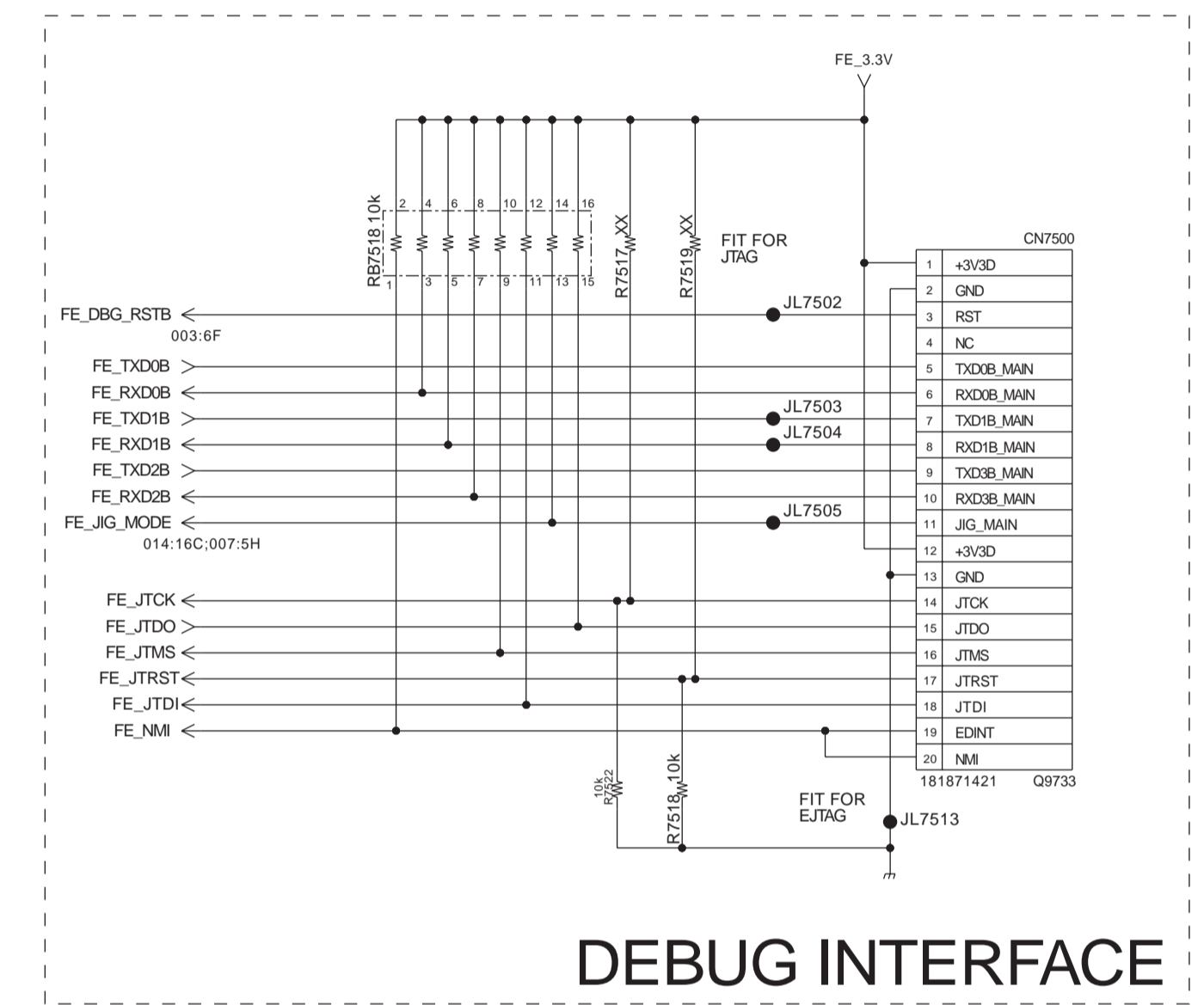
BGE 6/22

COMPONENTS MARKED AS XX REFER TO PARTS LIST. WILL ONLY BE LISTED IF FITTED

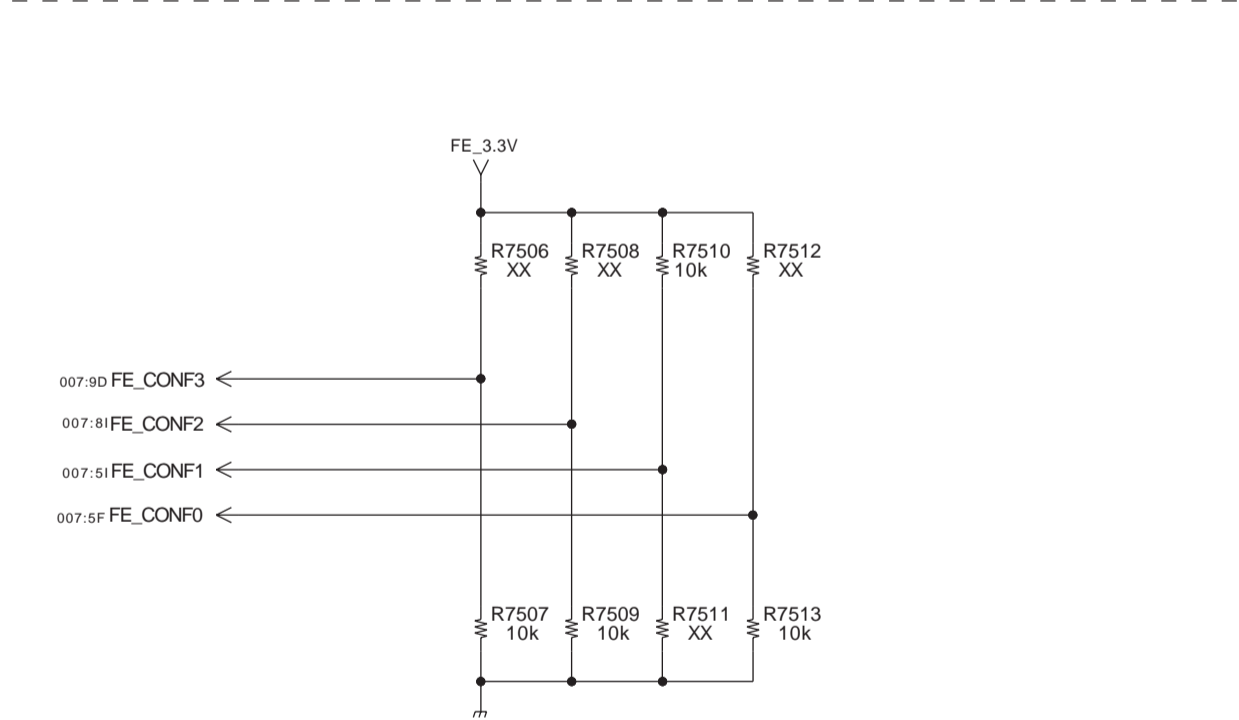




BGE 7/22

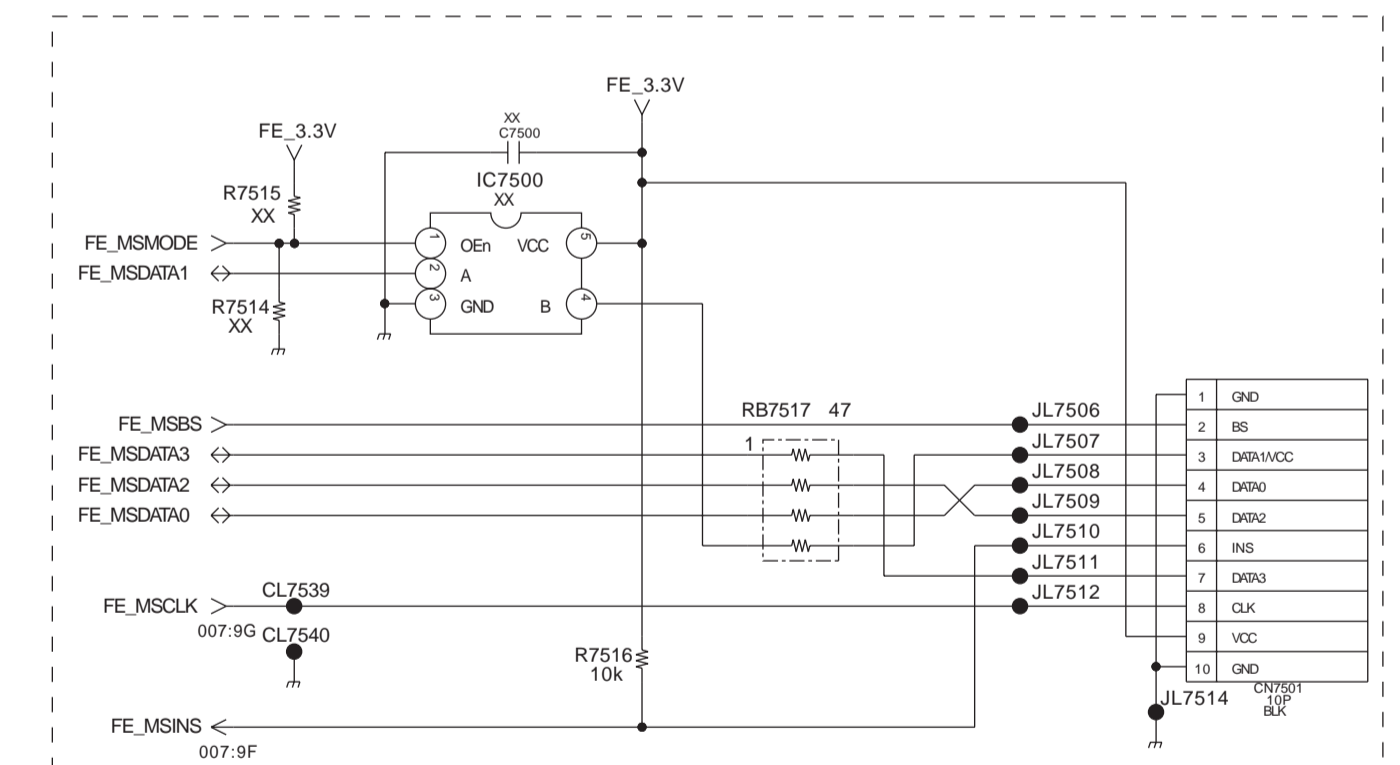


DEBUG INTERFACE



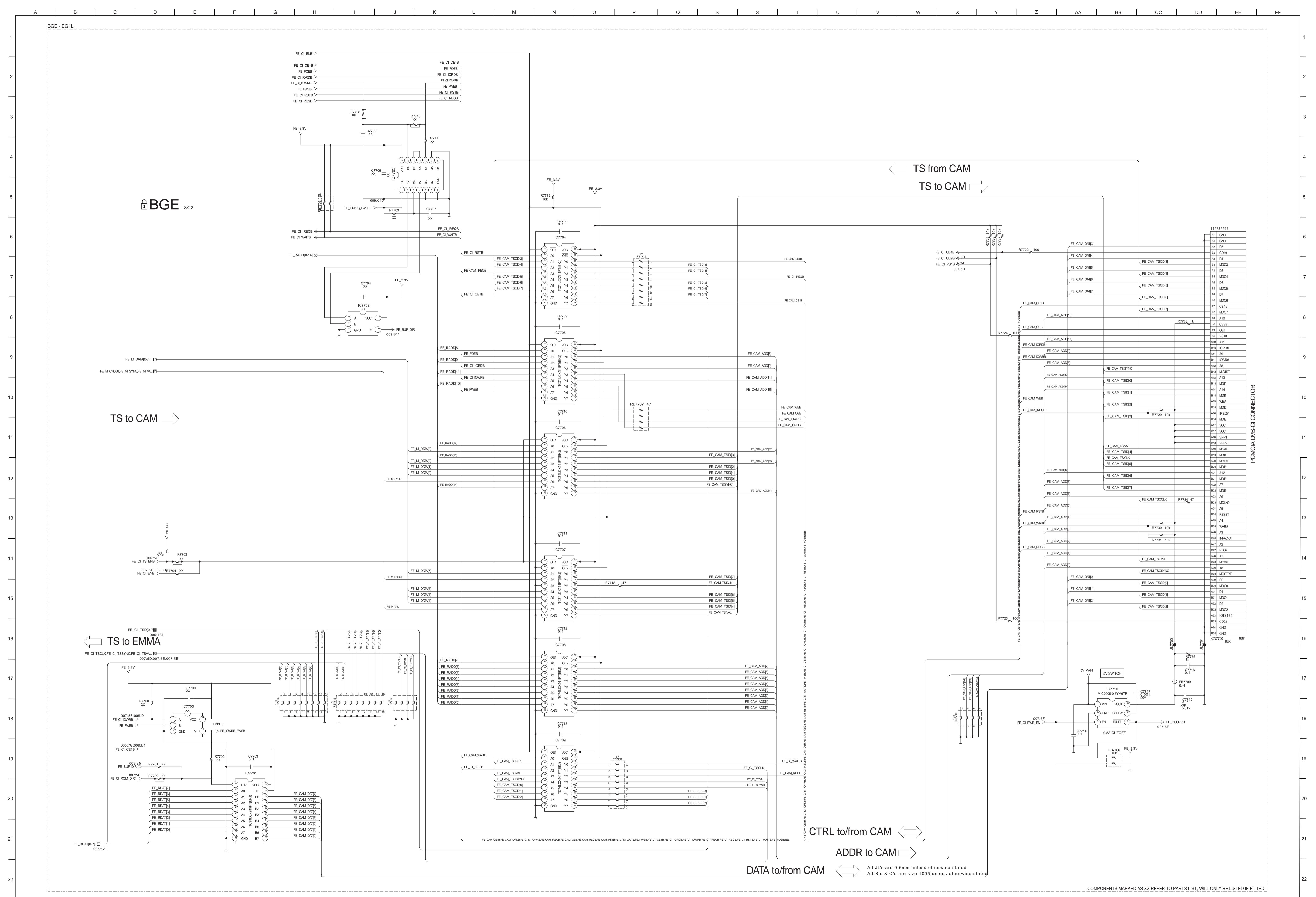
	SONY EVAL BOARD	WAX34 PROTO 2	SE3 PROTO 1
FE_CONF3	PPOINT137	0	0
FE_CONF2	PPOINT99	0	0
FE_CONF1	PPOINT59	0	1
FE_CONF0	PPOINT31	0	1

S/W OPTION SELECT RESISTORS

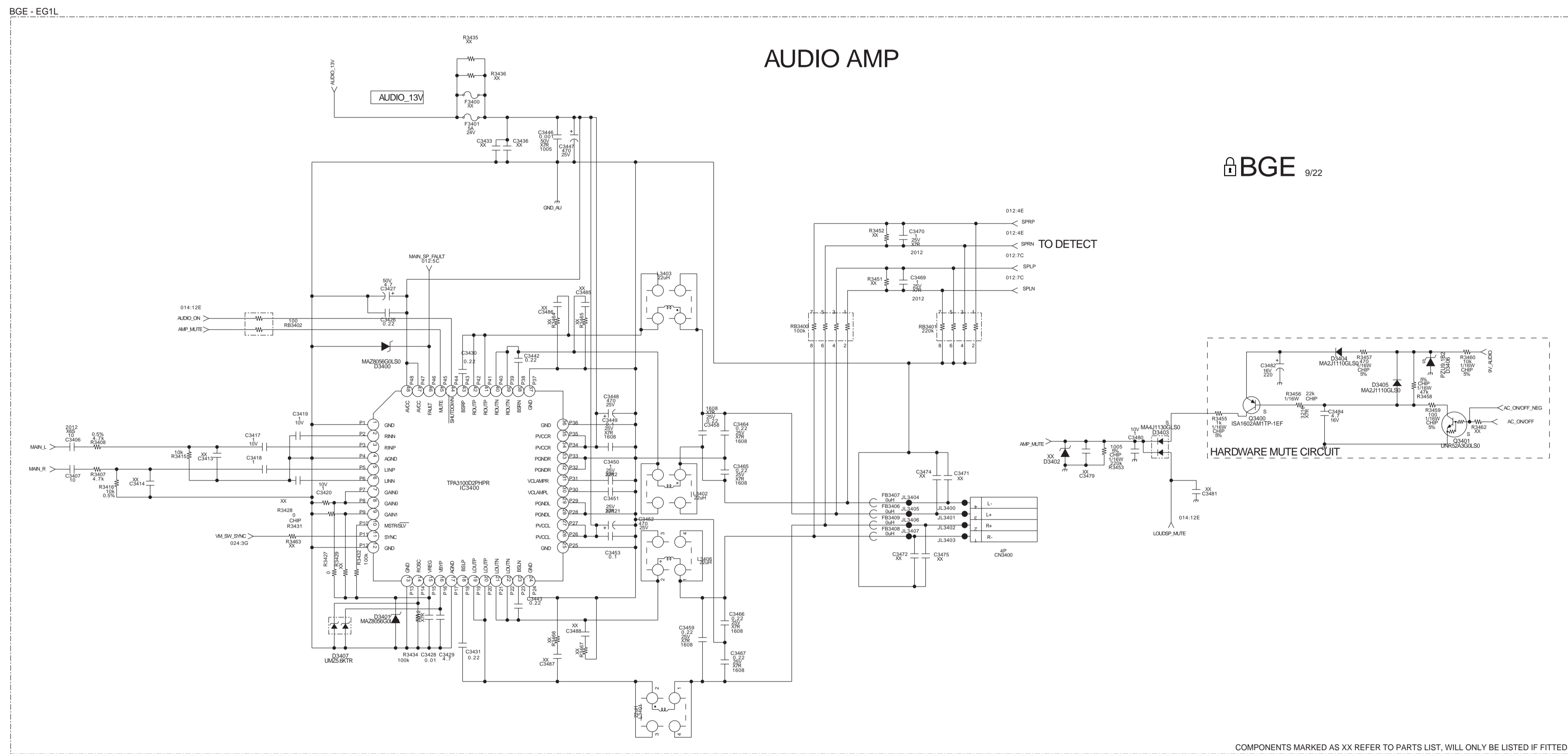


MEMORY STICK INTERFACE

COMPONENTS MARKED AS XX REFER TO PARTS LIST, WILL ONLY BE LISTED IF FITTED



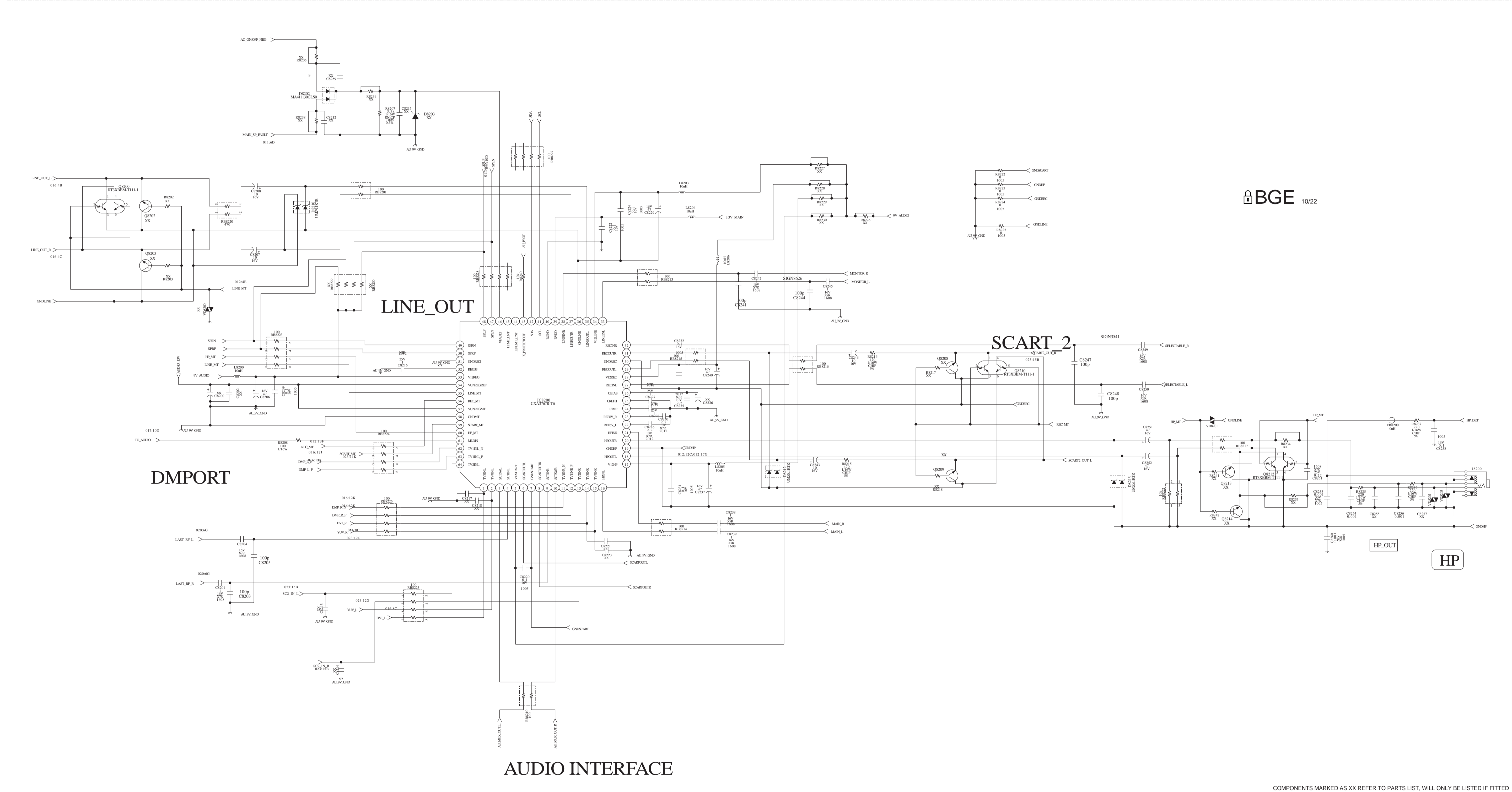




- BGE Board Schematic Diagram [ Main Microcontroller, HDMI/AV Side/PC Input, Audio Processor, Scarts ] Page 9/22 -

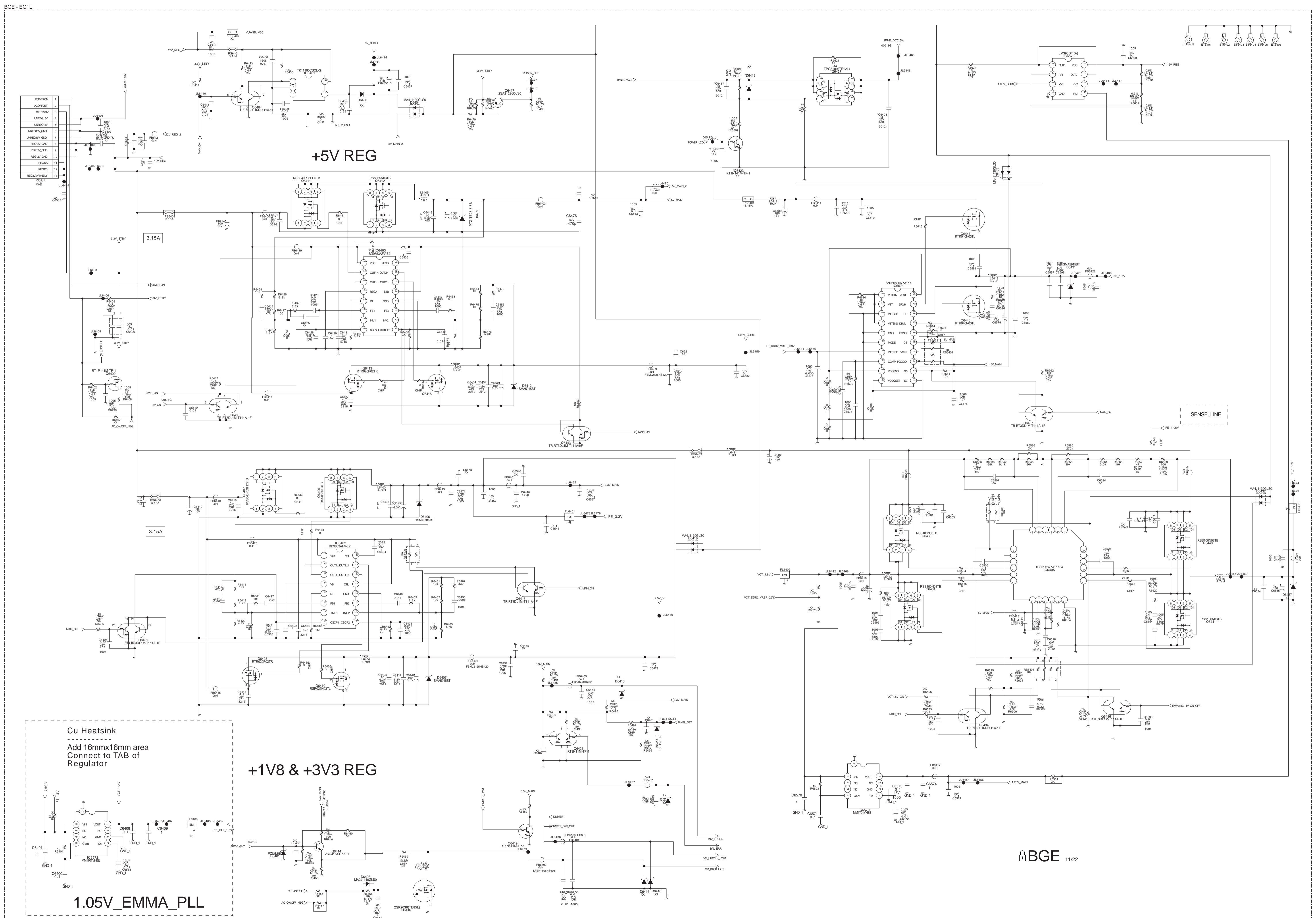
BGE - EG1L

BGE 10/22

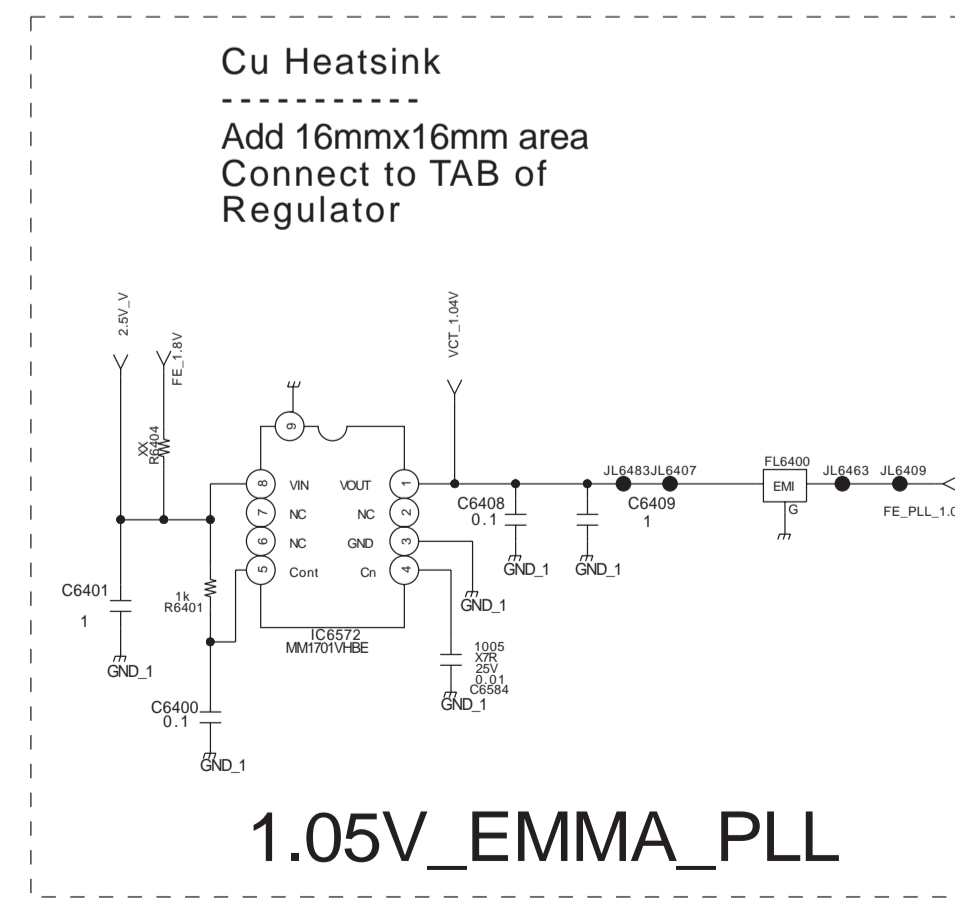


COMPONENTS MARKED AS XX REFER TO PARTS LIST. WILL ONLY BE LISTED IF FITTED

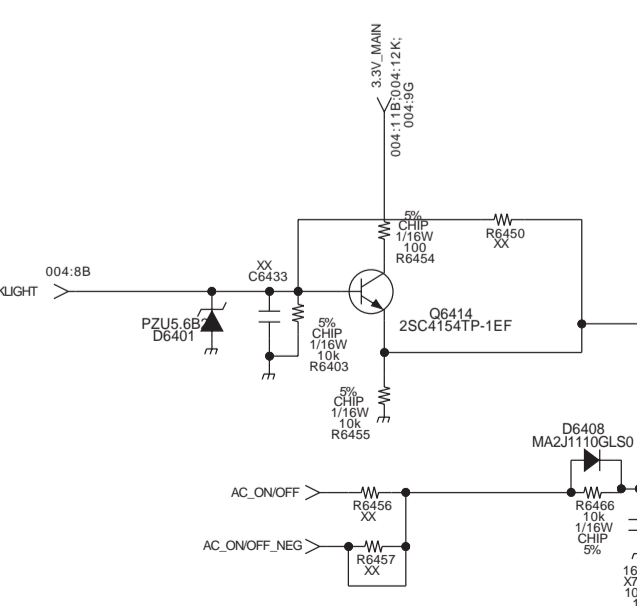




POWERON	1
ACOFFDET	2
ET5V0V	3
UNREG5V	4
UNREG5V_GND	5
UNREG5V_GND	6
REG5V_GND	7
REG5V_GND	8
REG5V_GND	9
REG5V_GND	10
REG5V_GND	11
REG5V_GND	12
REG5V_GND	13
CHRGST	14
WIP	15



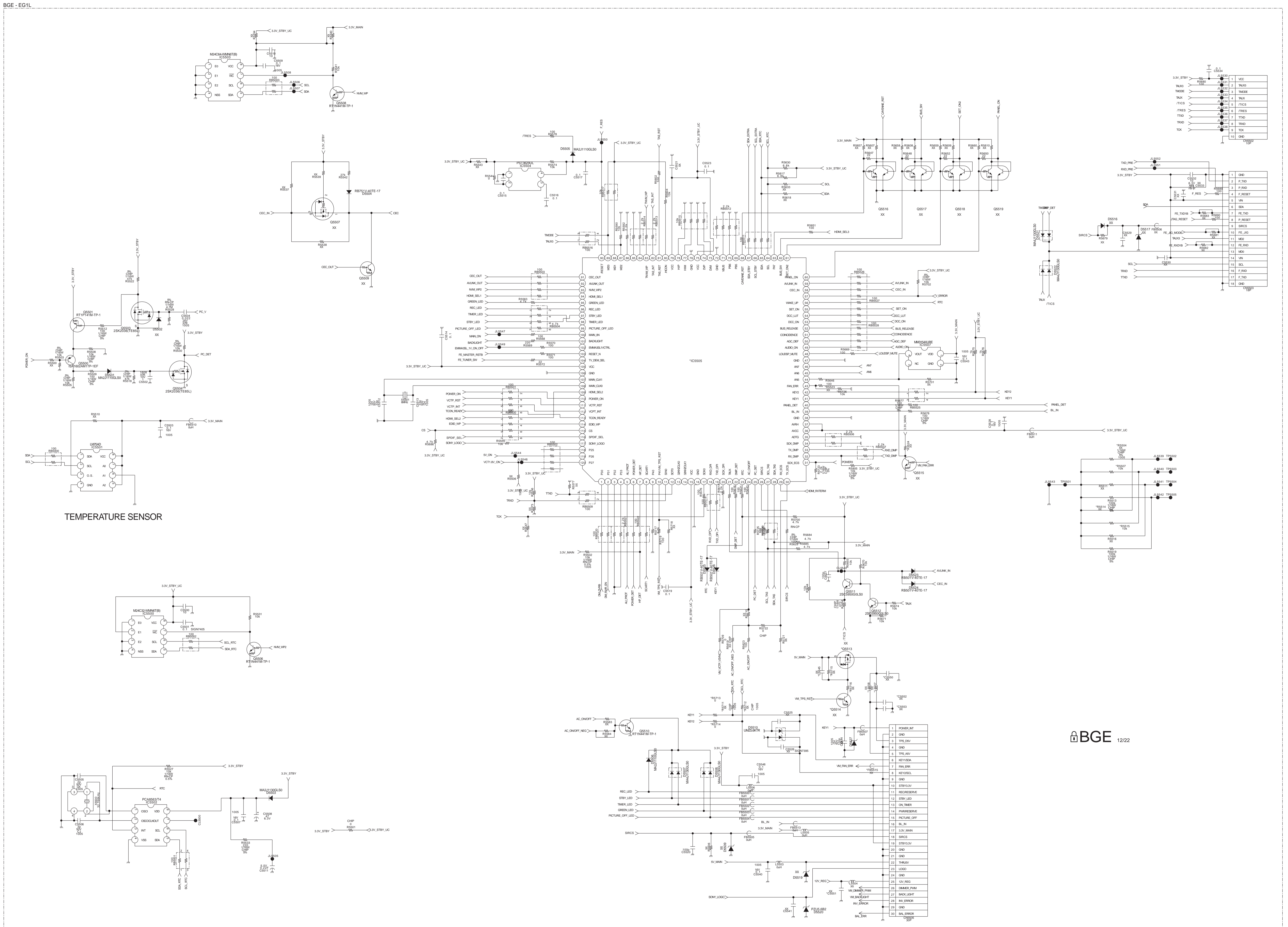
**+1V8 & +3V3 REG**



11/22

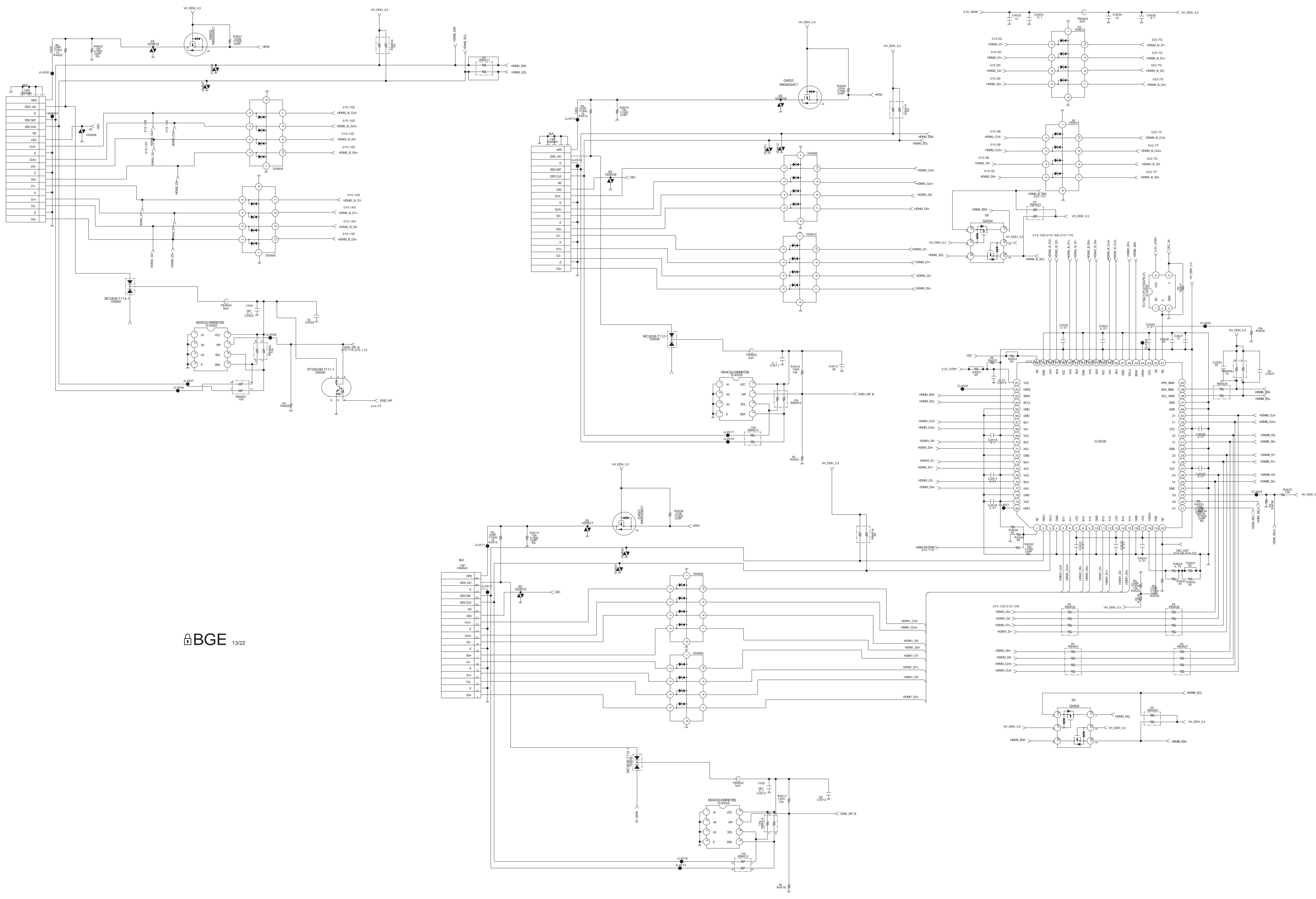
COMPONENTS MARKED AS XX REFER TO PARTS LIST, WILL ONLY BE LISTED IF FITTED





BGE 12/22

COMPONENTS MARKED AS XX REFER TO PARTS LIST, WILL ONLY BE LISTED IF FITTED

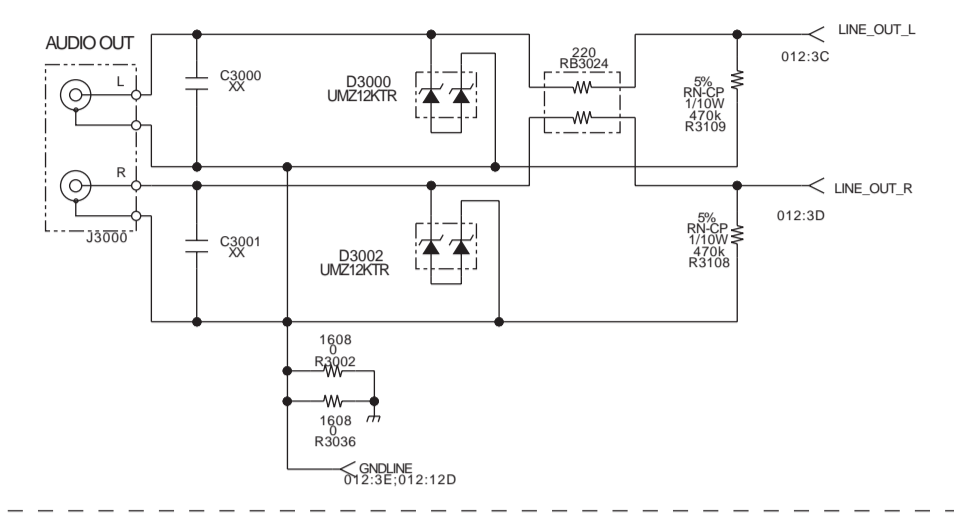


COMPONENTS MARKED AS XX REFER TO PARTS LIST, WILL ONLY BE LISTED IF FITTED

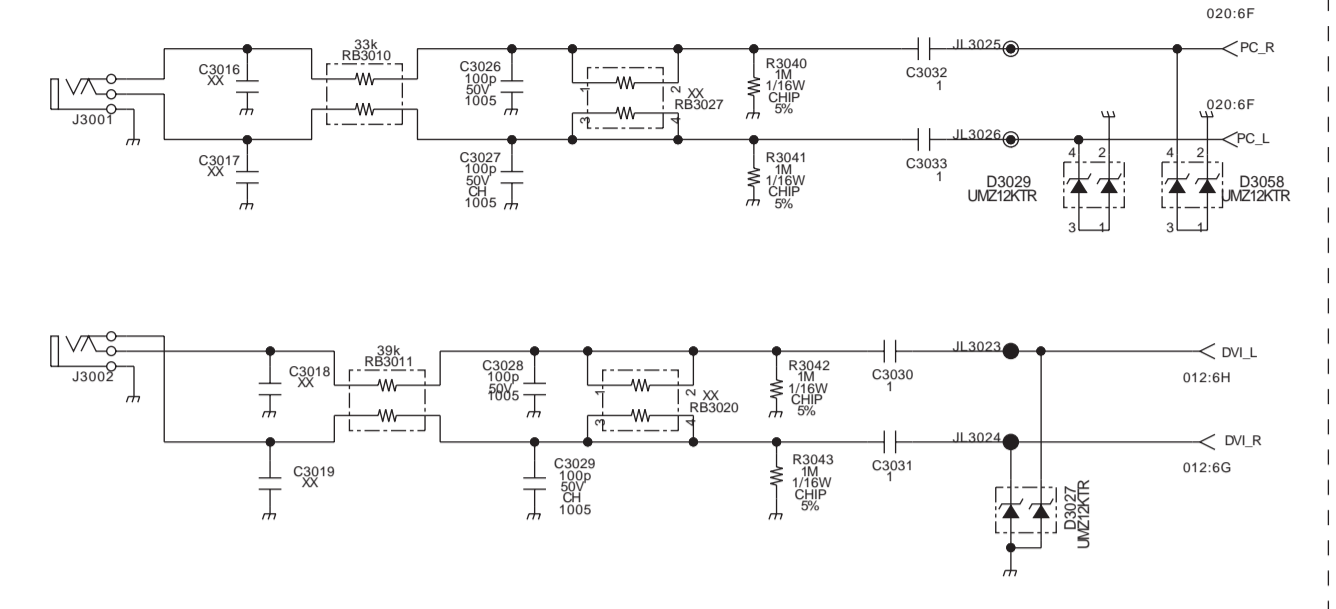


BGE 14/22

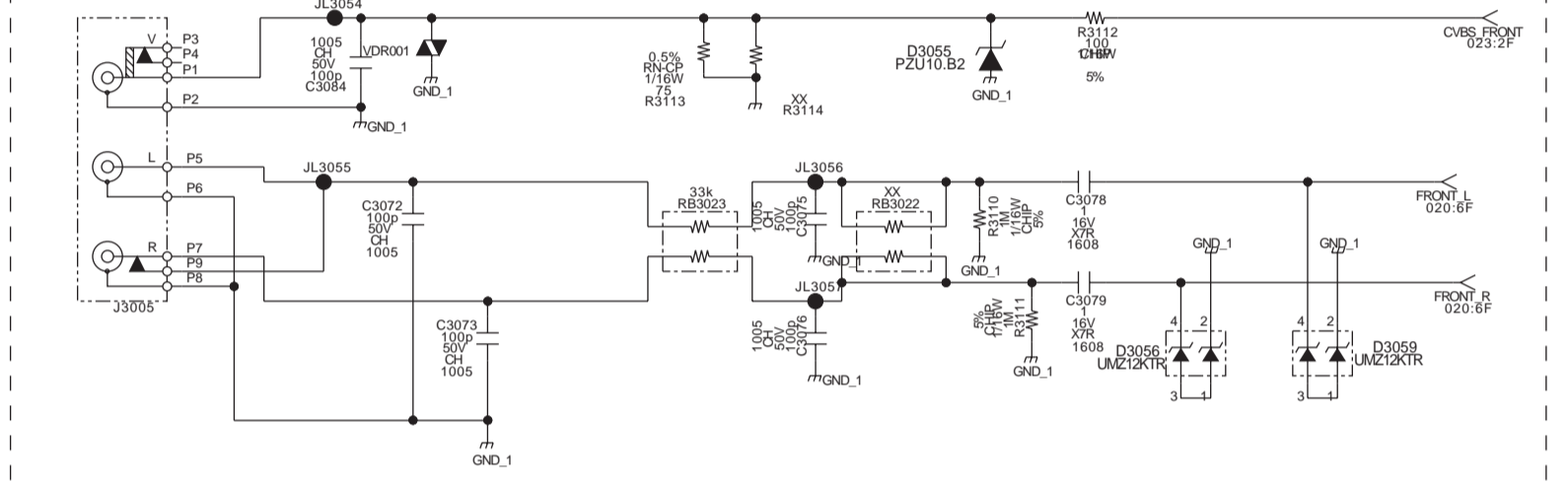
### LINE OUT



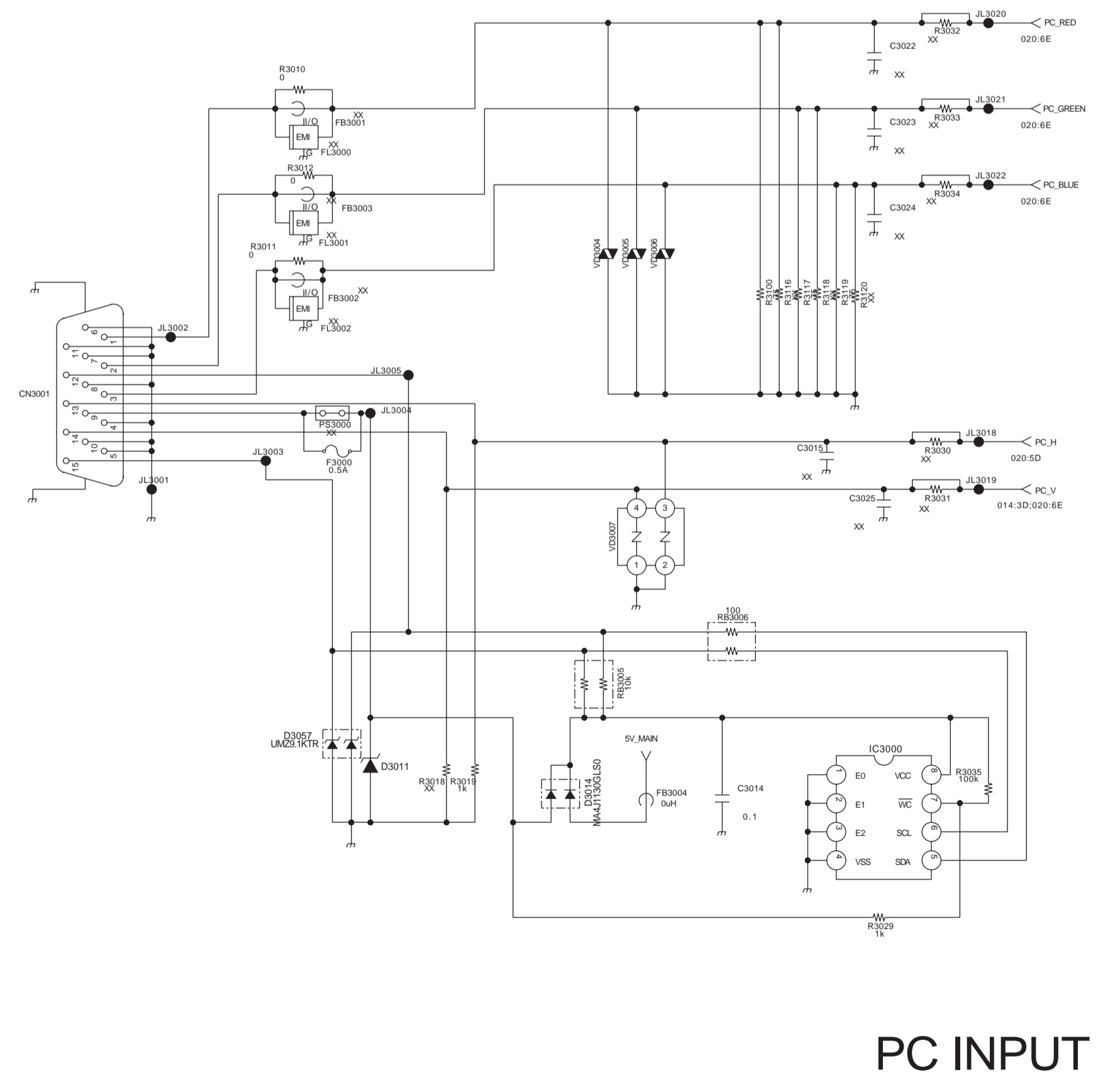
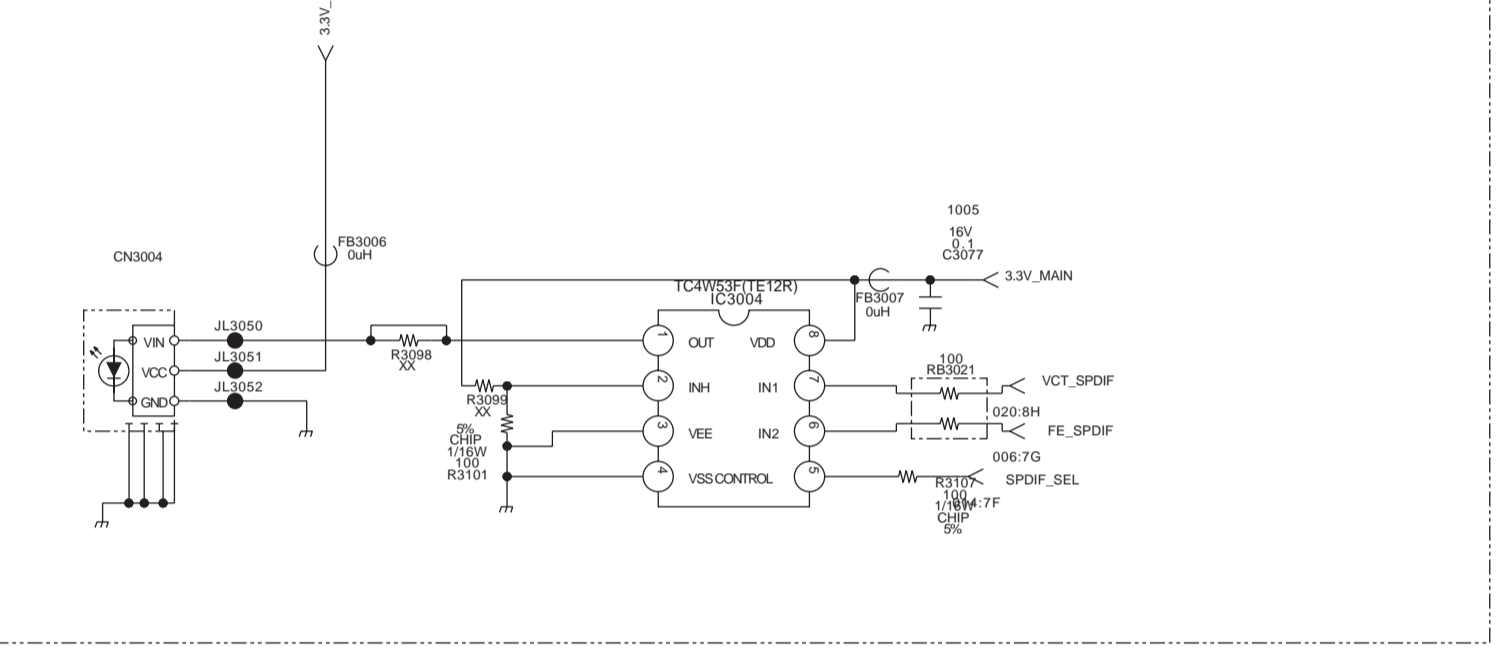
### DVI/PC AUDIO INPUT



### LATERAL AV CONNECTOR

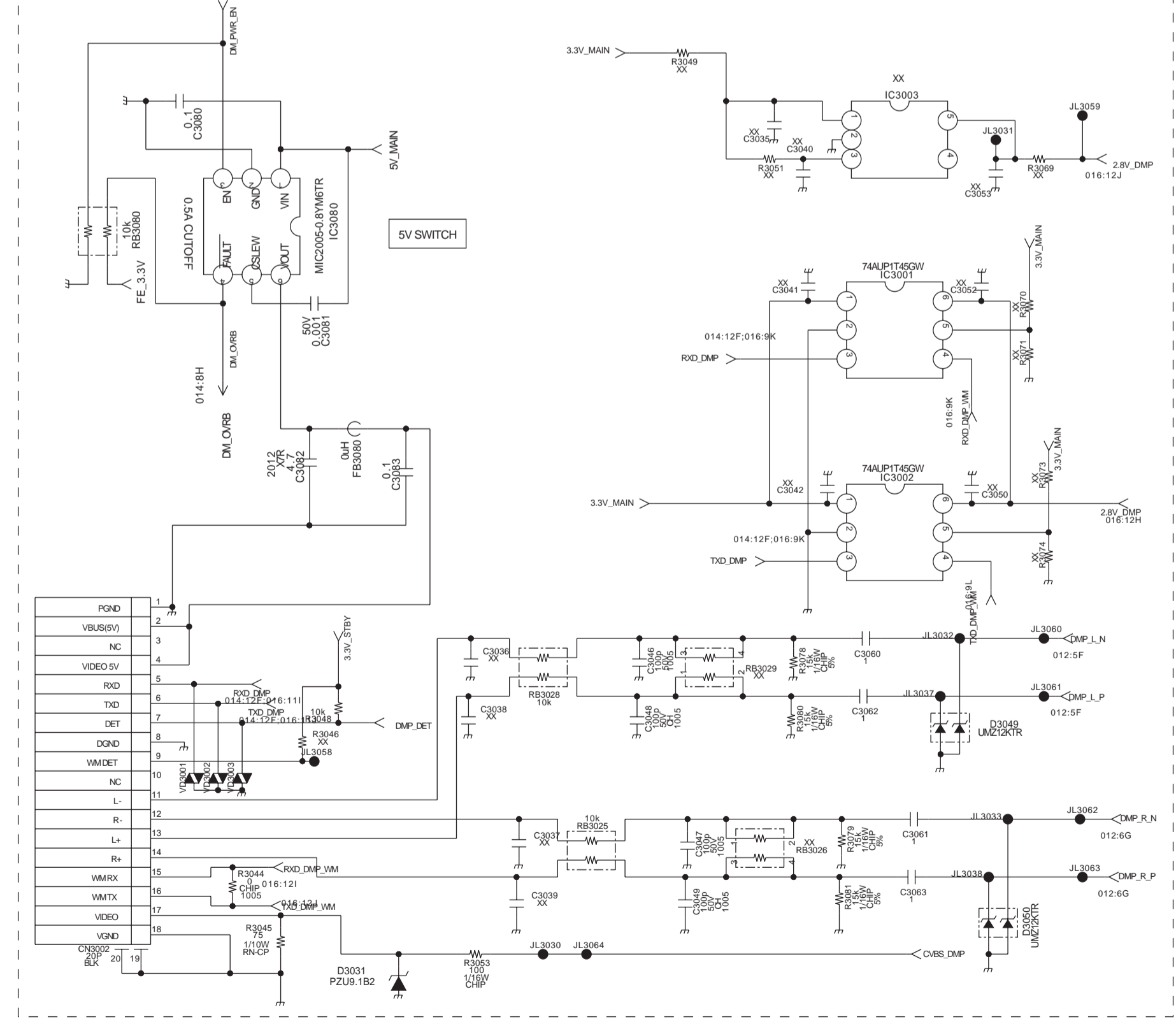


### SPDIF OPTICAL OUT



### PC INPUT

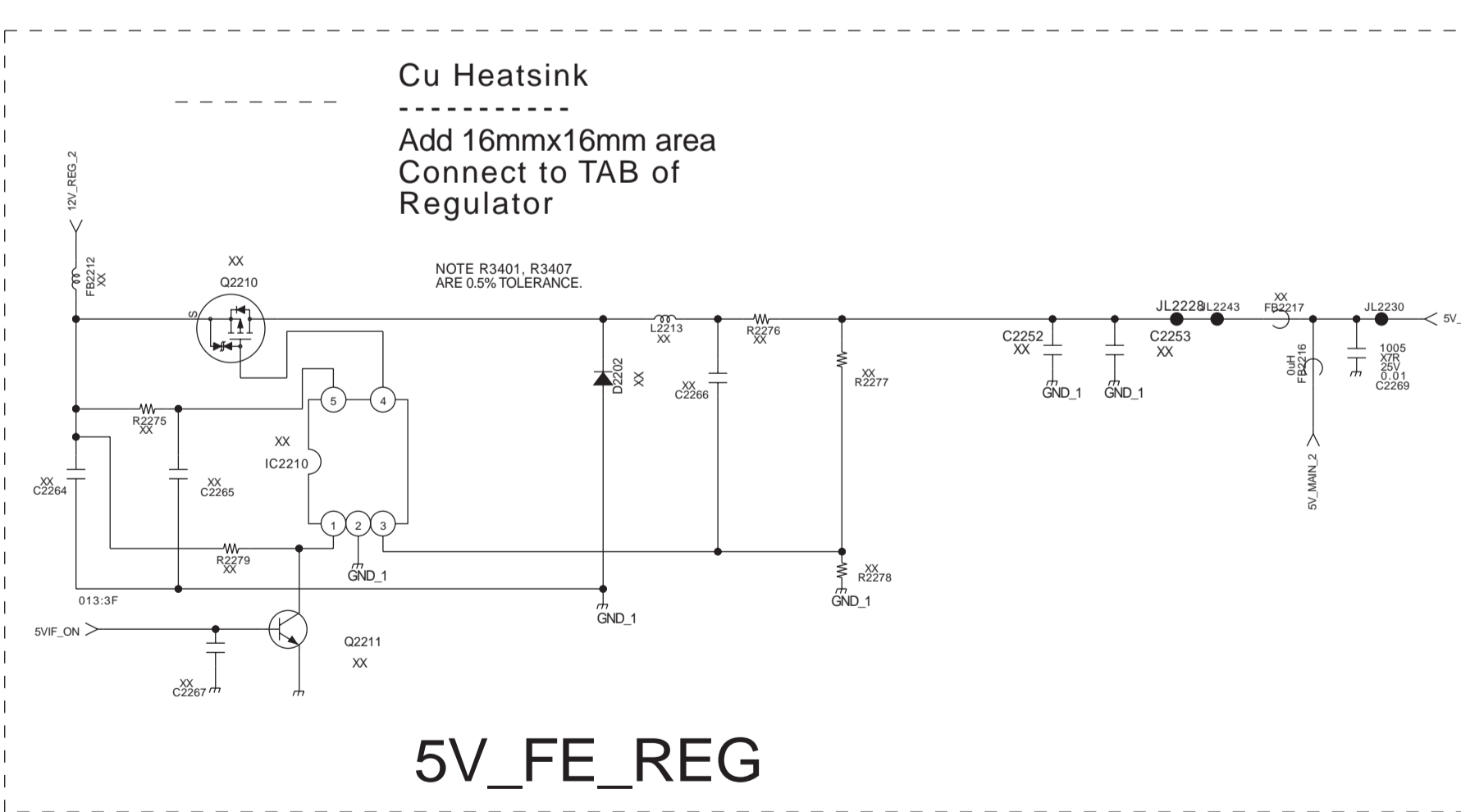
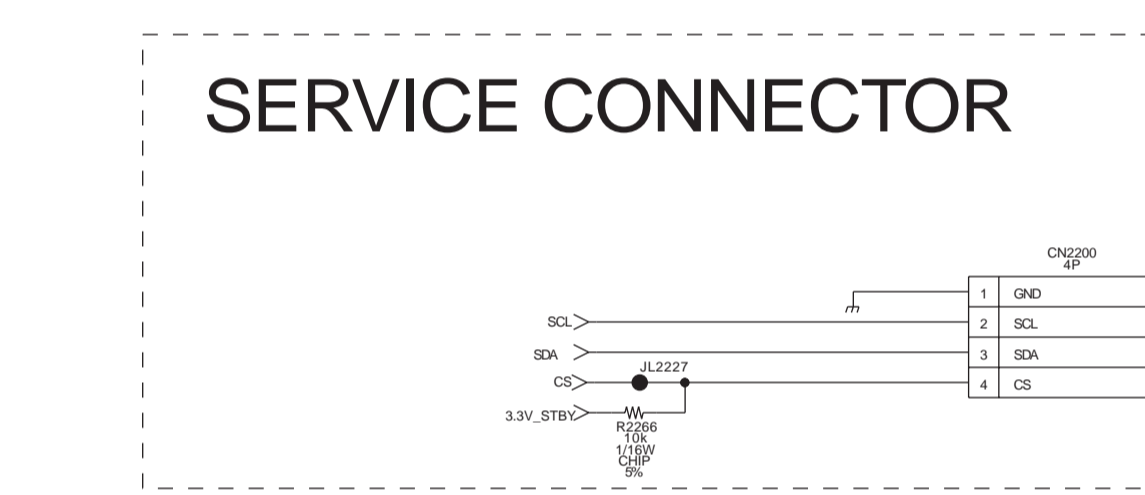
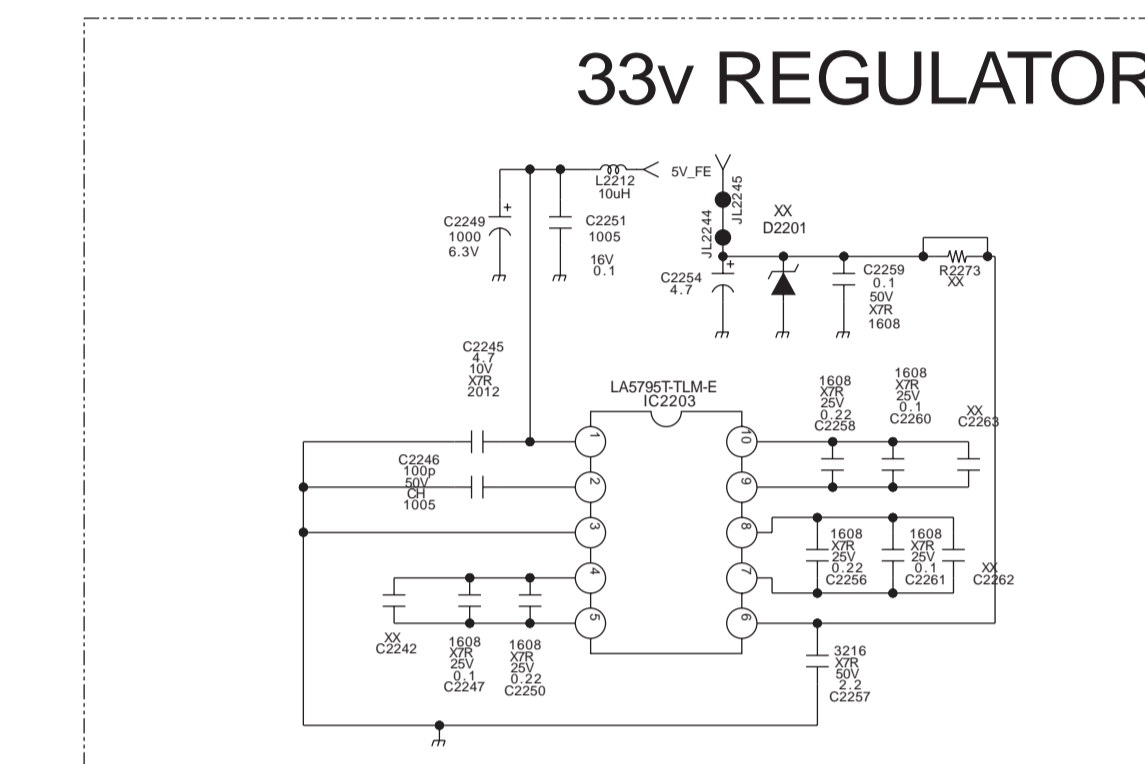
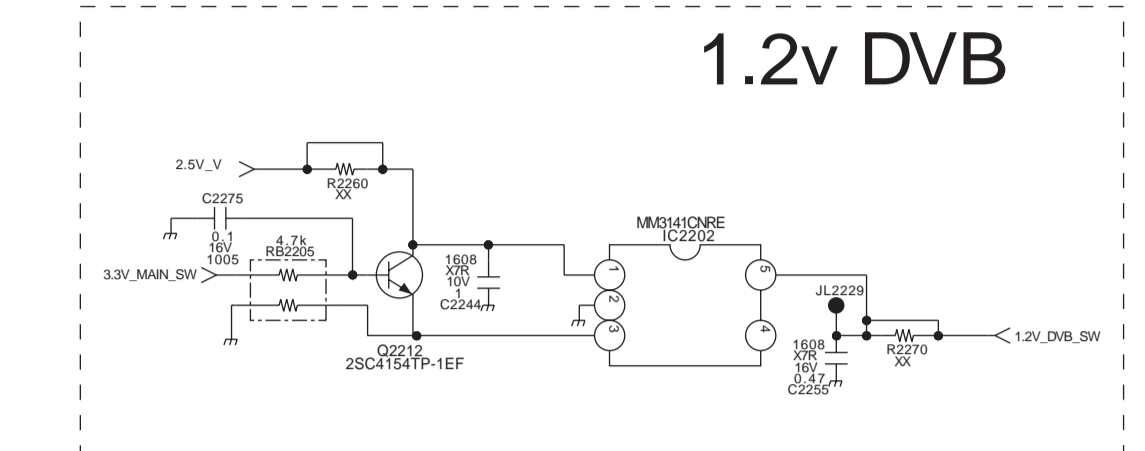
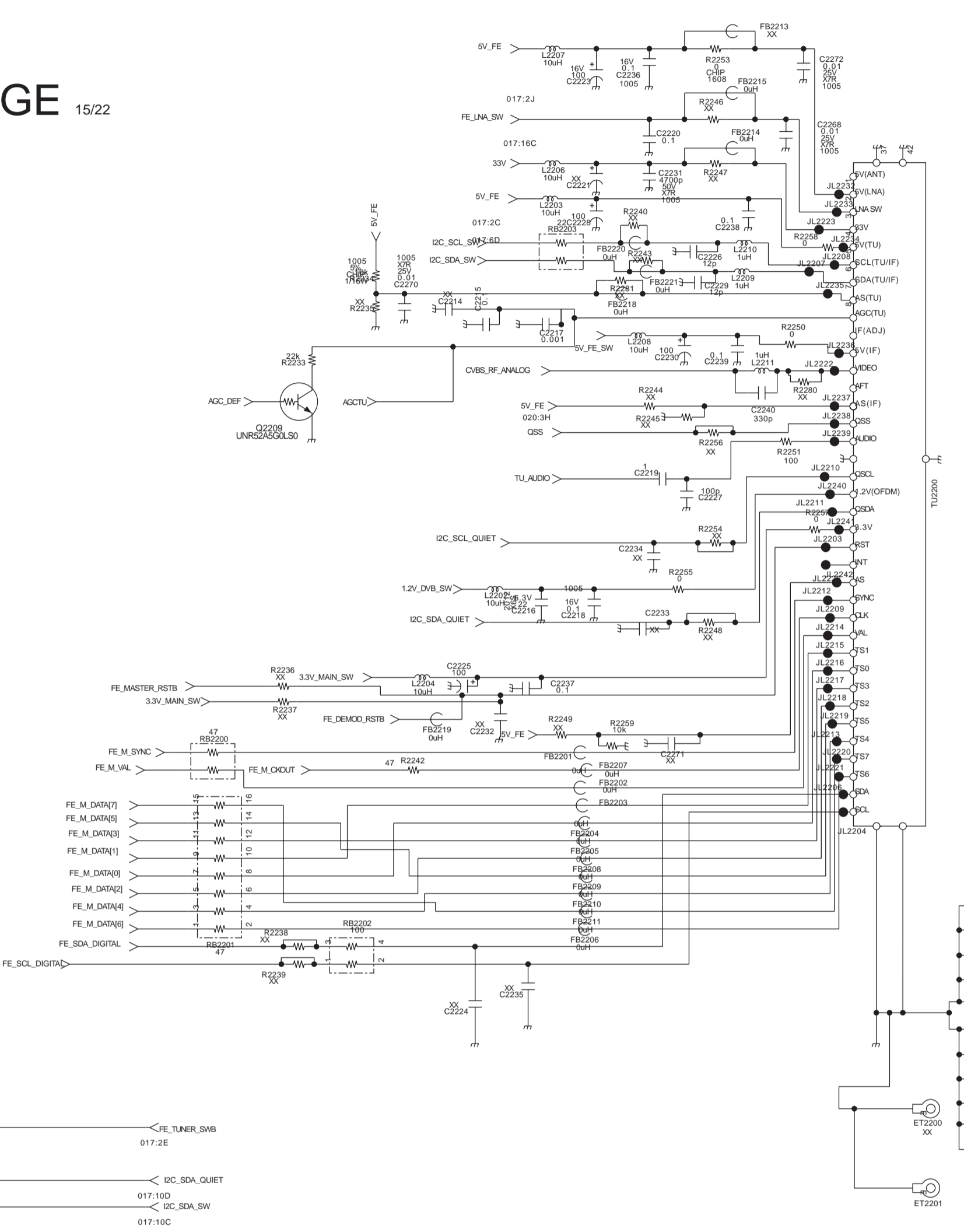
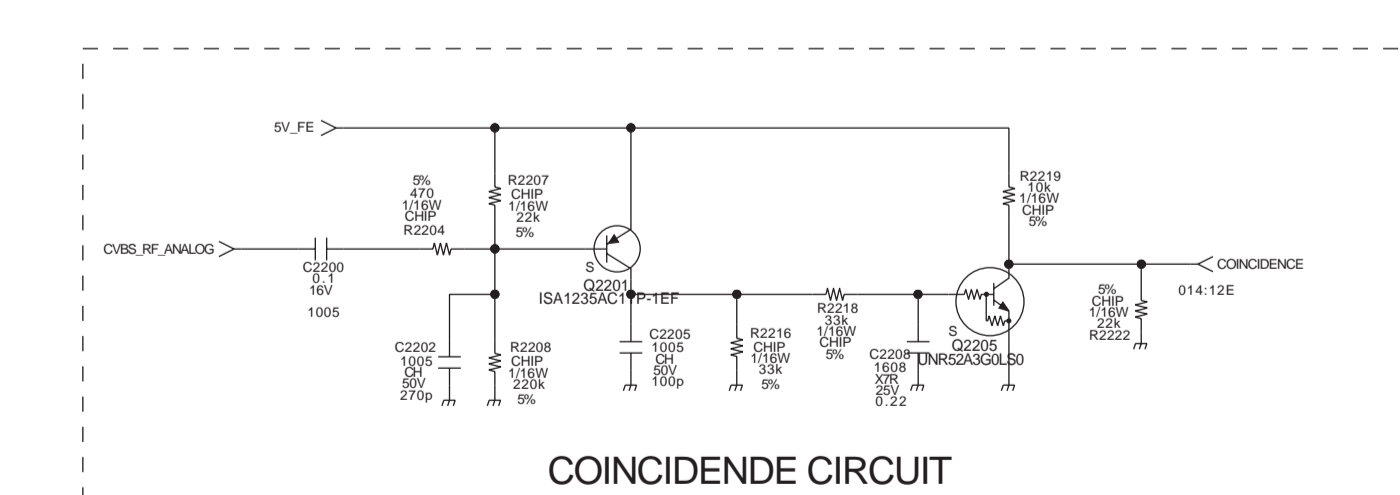
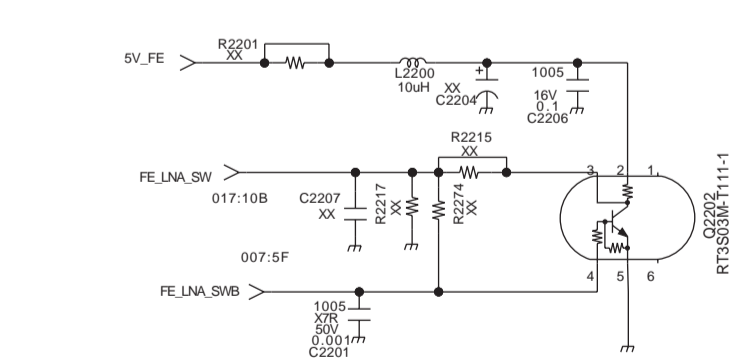
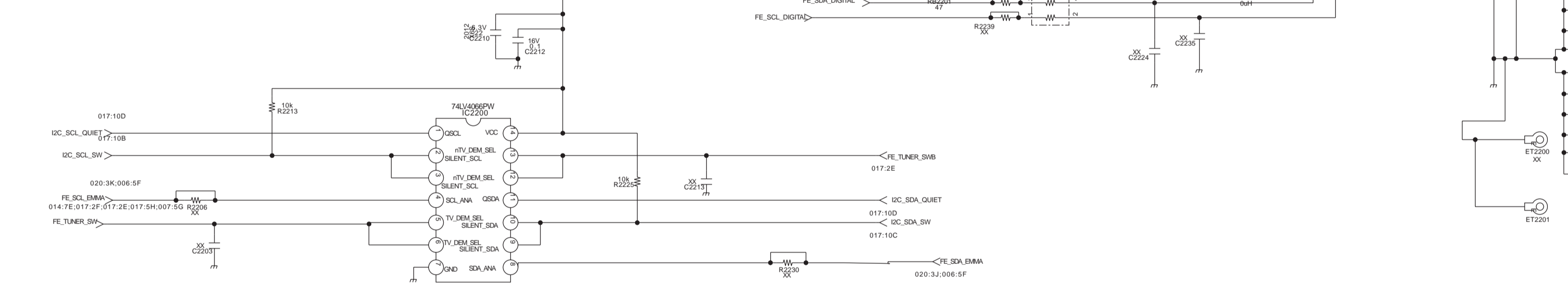
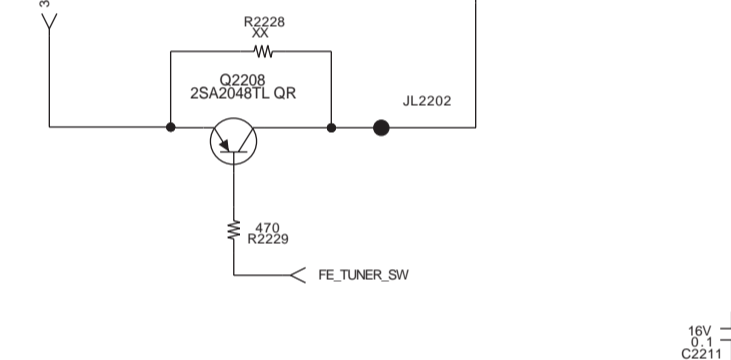
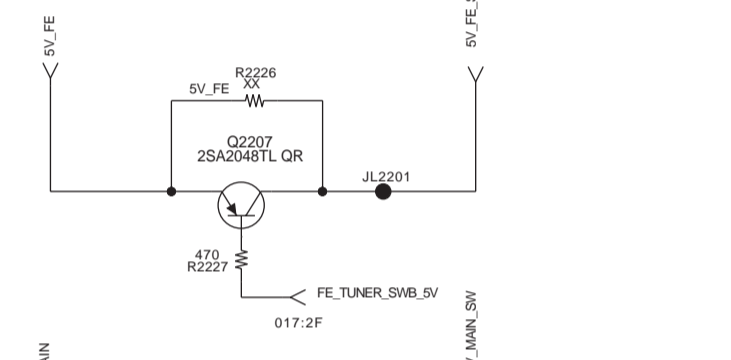
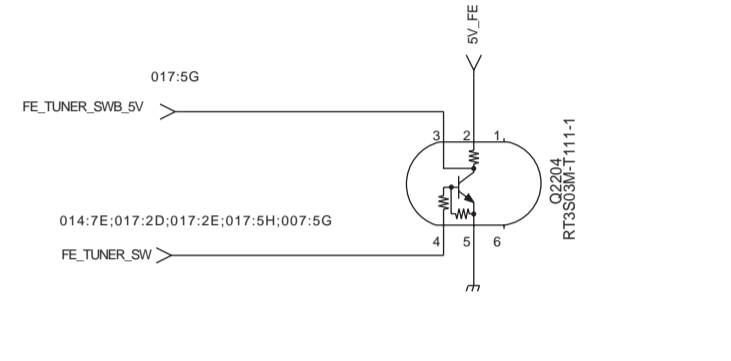
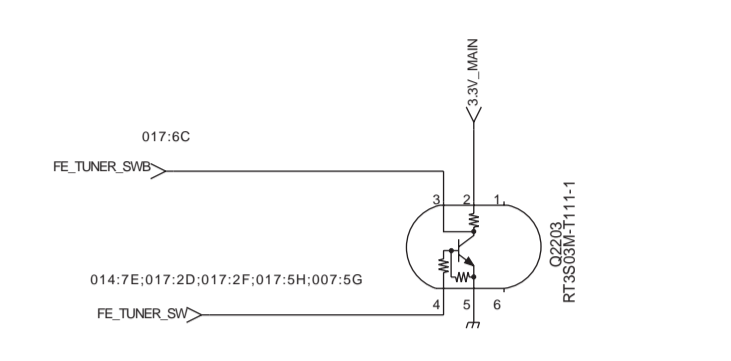
### DIGITAL MEDIA PORT



COMPONENTS MARKED AS XX REFER TO PARTS LIST, WILL ONLY BE LISTED IF FITTED

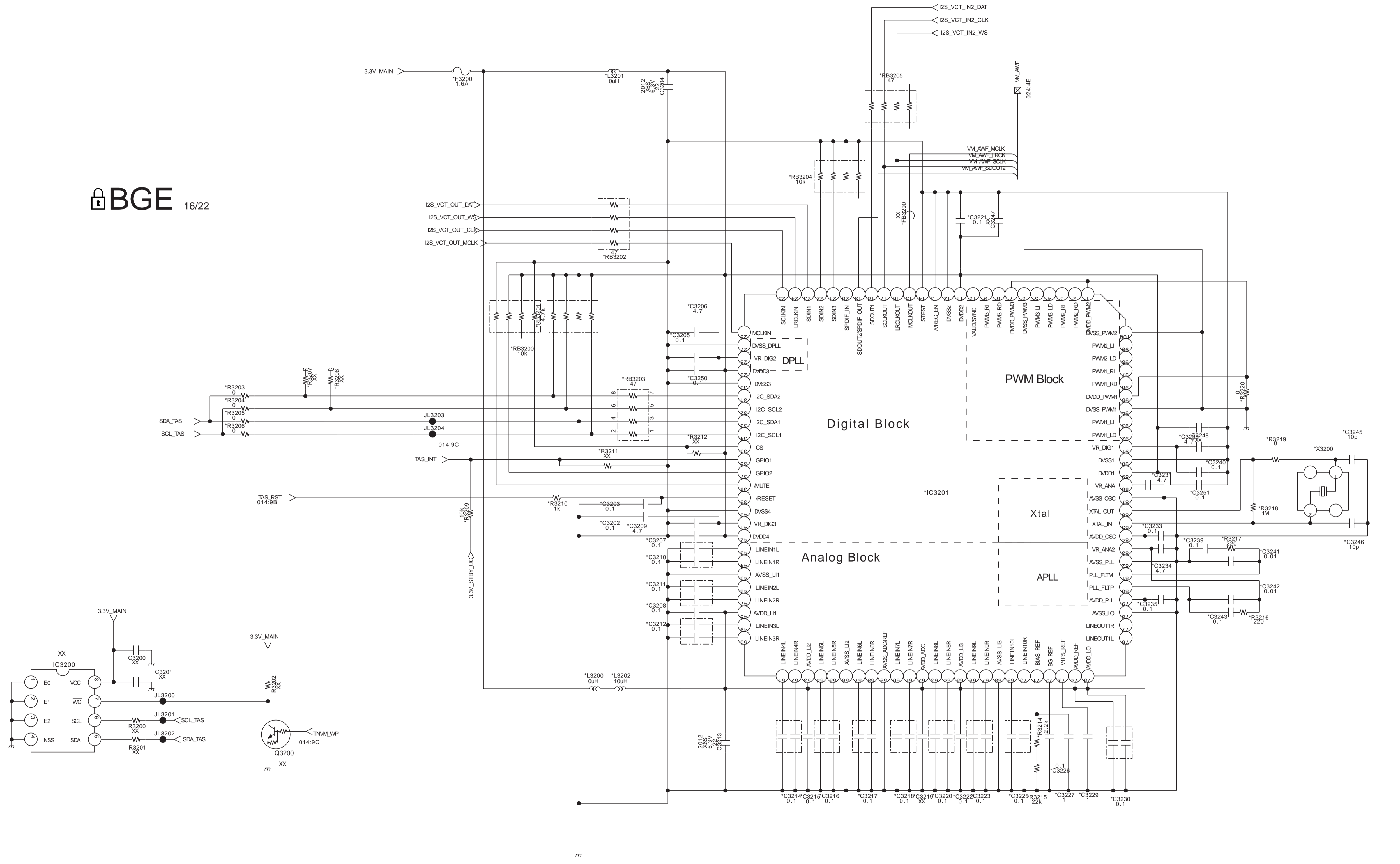
BGE - EG1L

BGE 15/22



COMPONENTS MARKED AS XX REFER TO PARTS LIST, WILL ONLY BE LISTED IF FITTED

BGE - EG1L

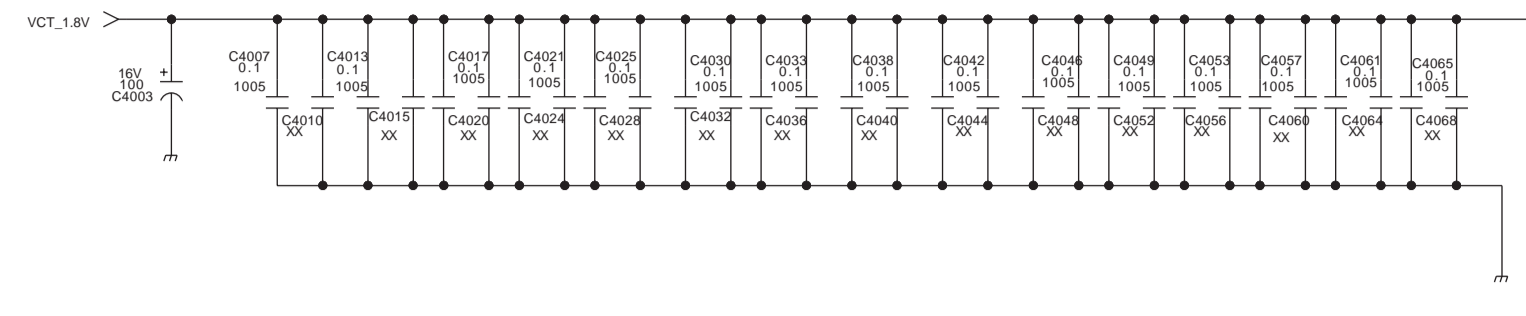


COMPONENTS MARKED AS XX REFER TO PARTS LIST, WILL ONLY BE LISTED IF FITTED

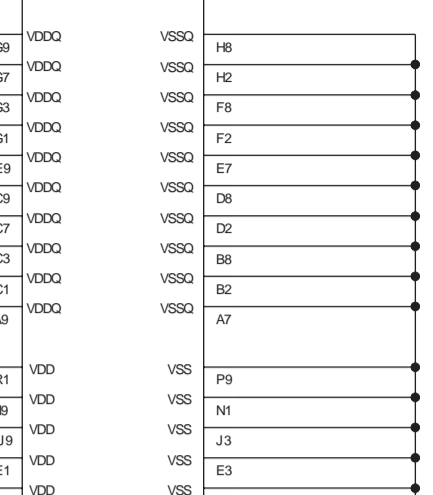




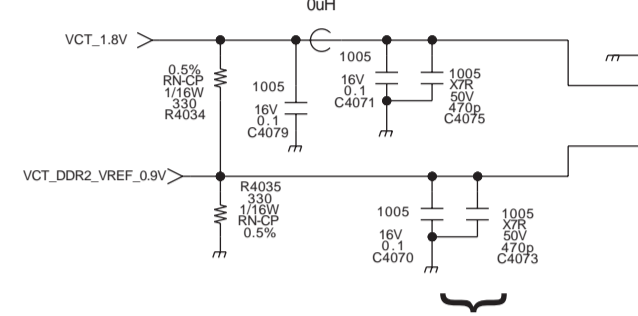
PLACE A PAIR OF THESE CAPS CLOSE TO EACH VDD, VDDIO PIN



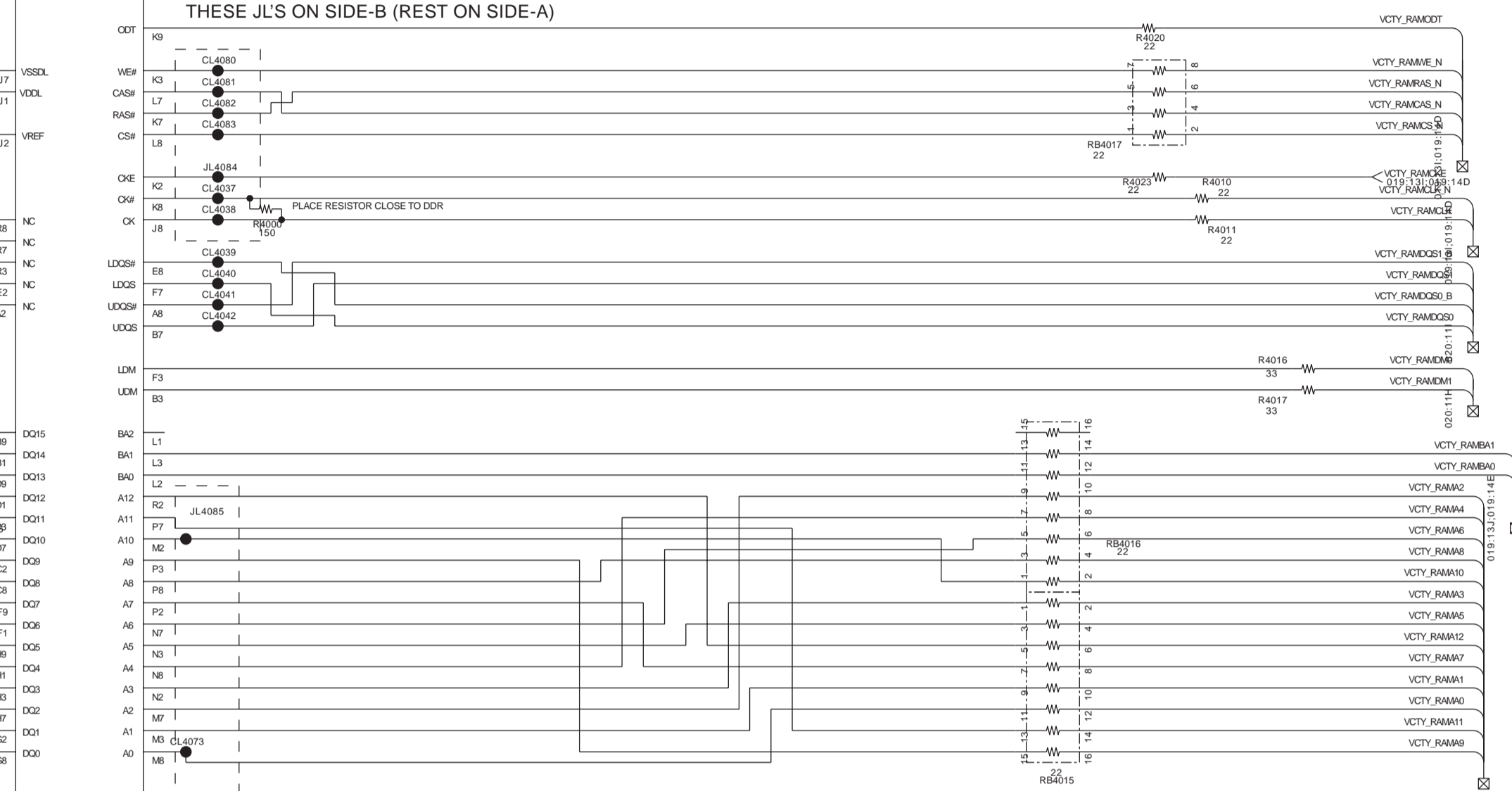
HY818TC561608P-35 IC4001



FB4000 0uH

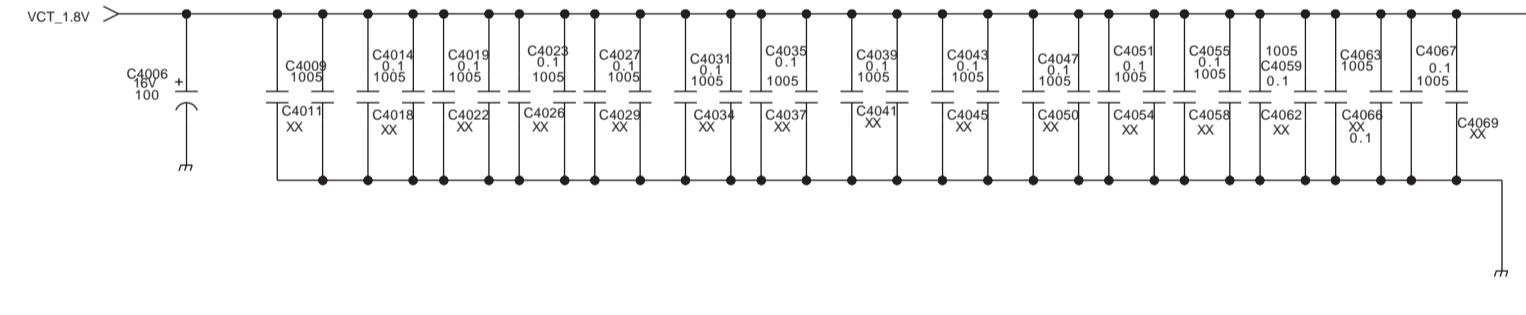


THESE JLS ON SIDE-B (REST ON SIDE-A)

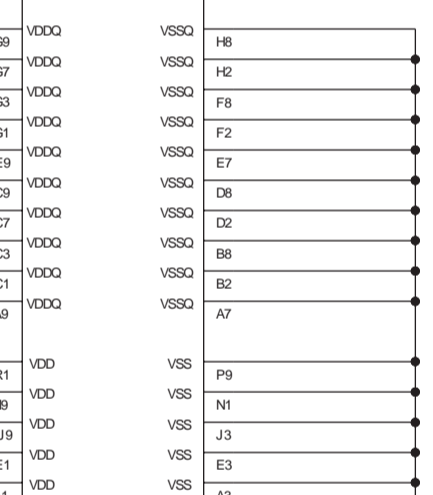


THESE JLS ON SIDE-B (REST ON SIDE-A)

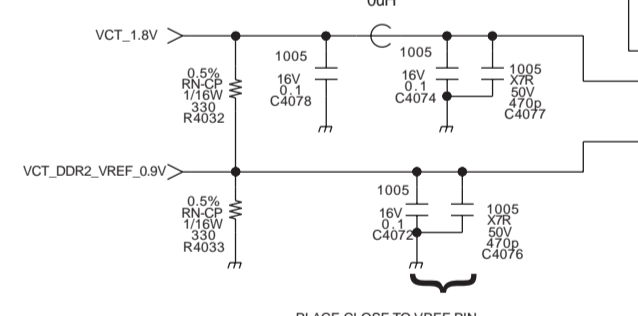
PLACE A PAIR OF THESE CAPS CLOSE TO EACH VDD, VDDIO PIN



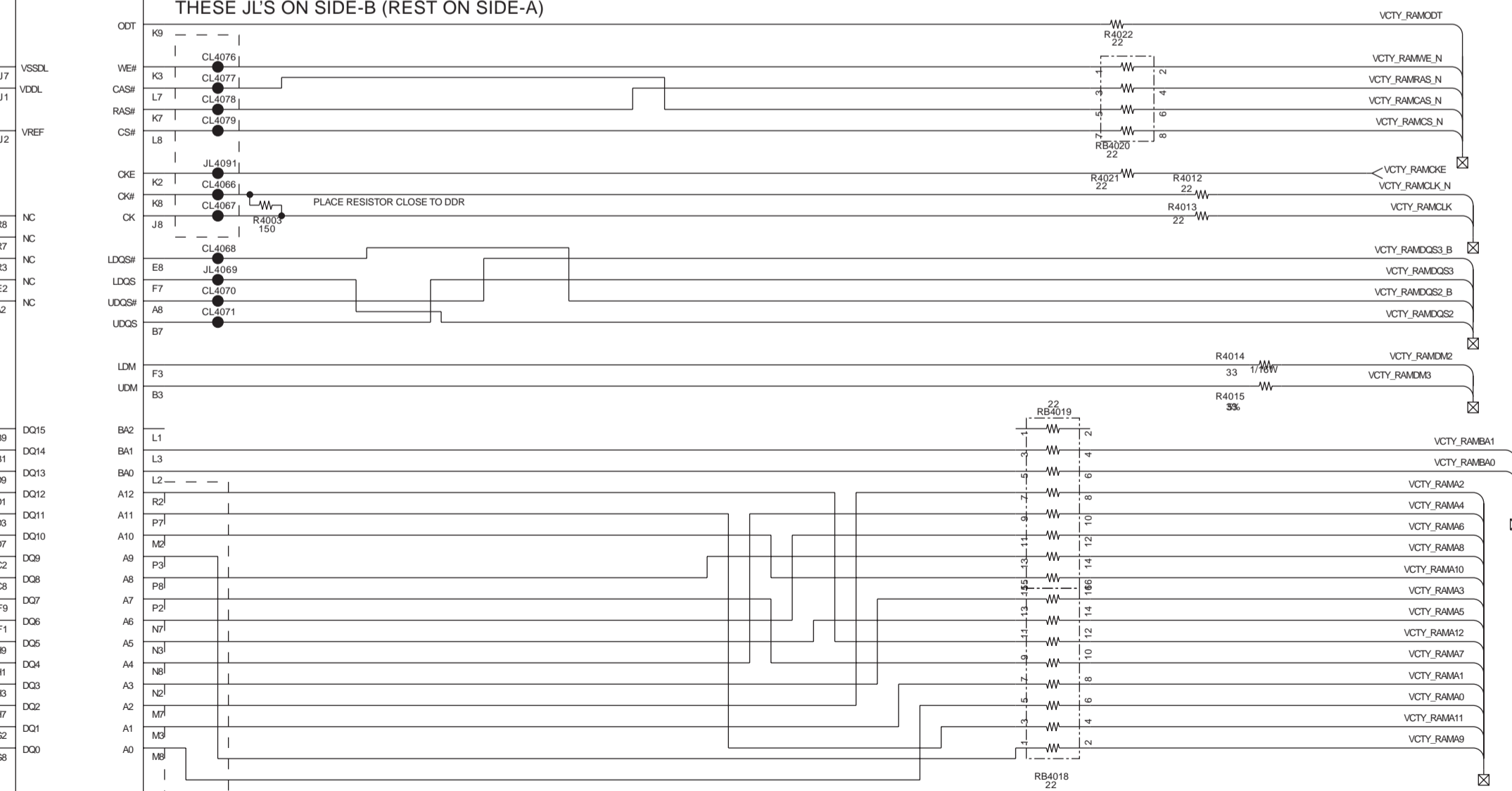
HY818TC561608P-35 IC4002



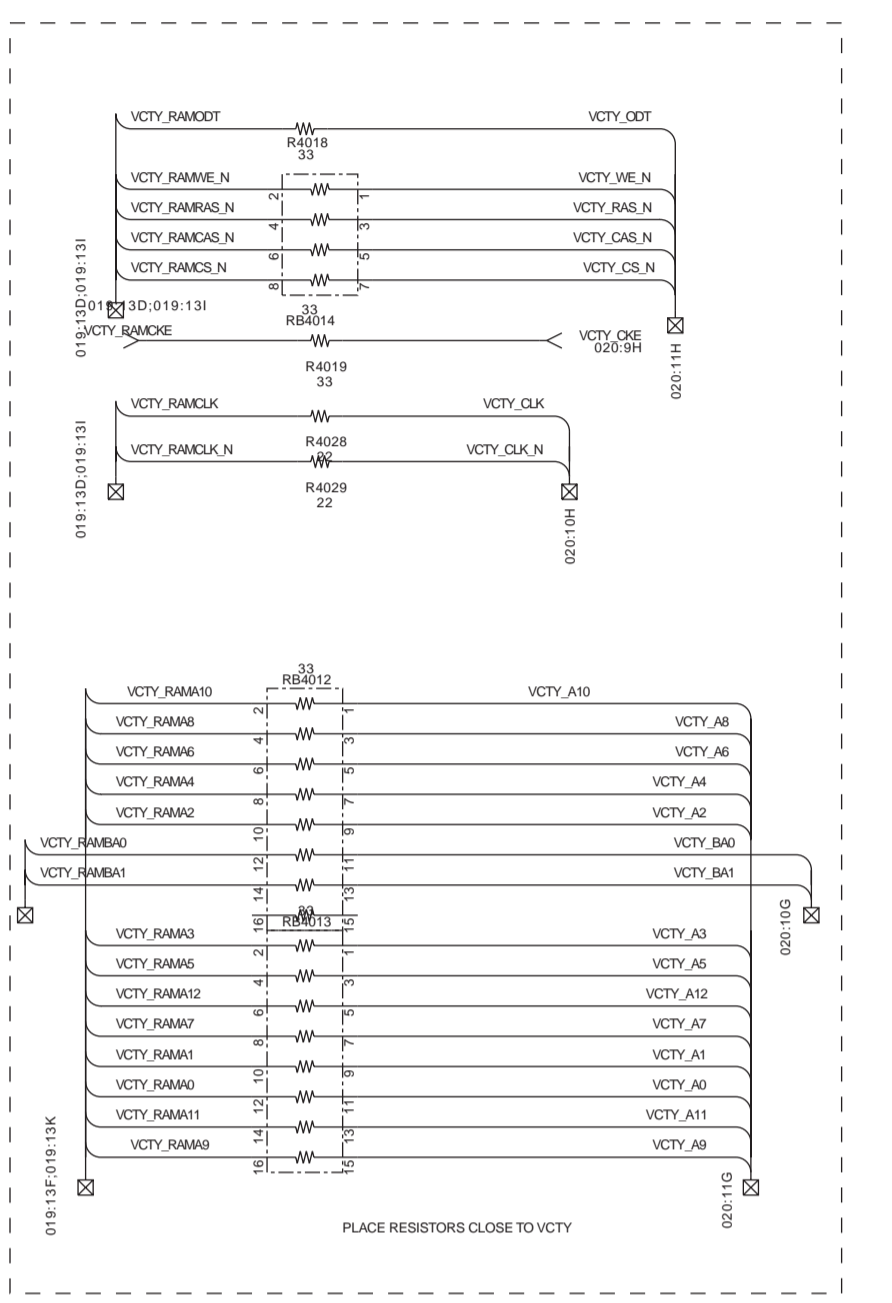
FB4001 0uH



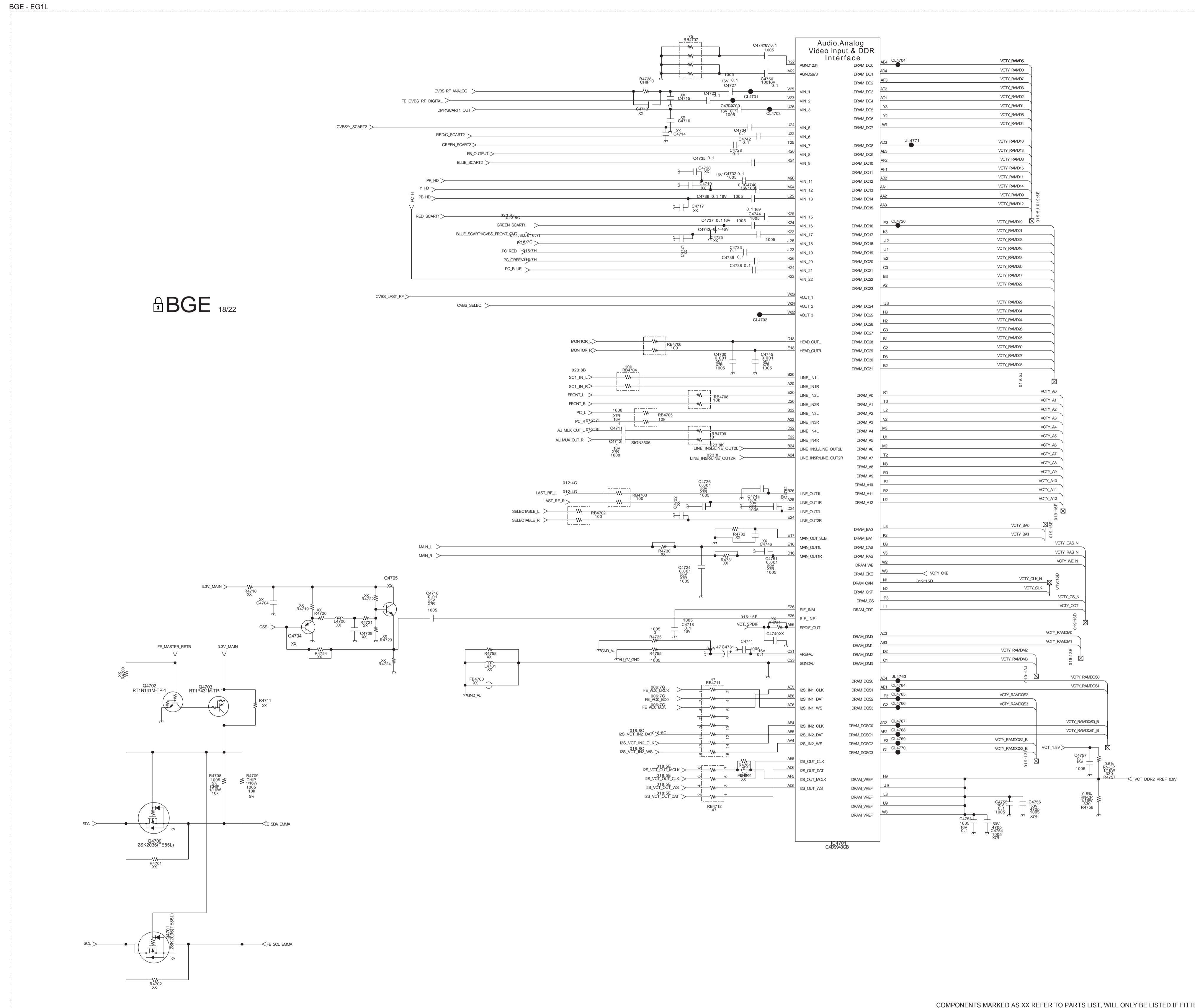
THESE JLS ON SIDE-B (REST ON SIDE-A)



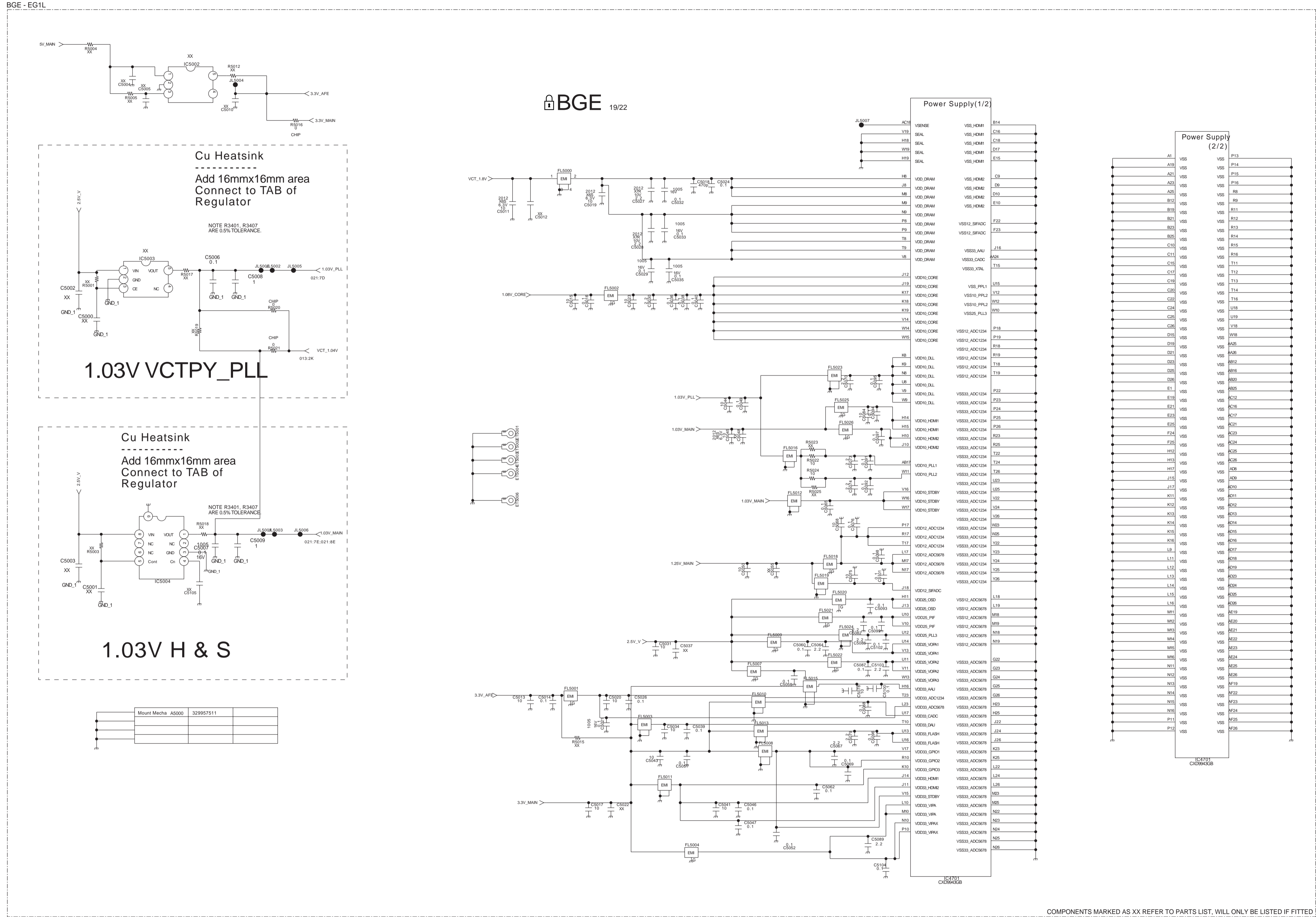
THESE JLS ON SIDE-B (REST ON SIDE-A)



COMPONENTS MARKED AS XX REFER TO PARTS LIST. WILL ONLY BE LISTED IF FITTED



- BGE Board Schematic Diagram [ Main Microcontroller, HDMI/AV Side/PC Input, Audio Processor, Scarts ] Page 18/22 -

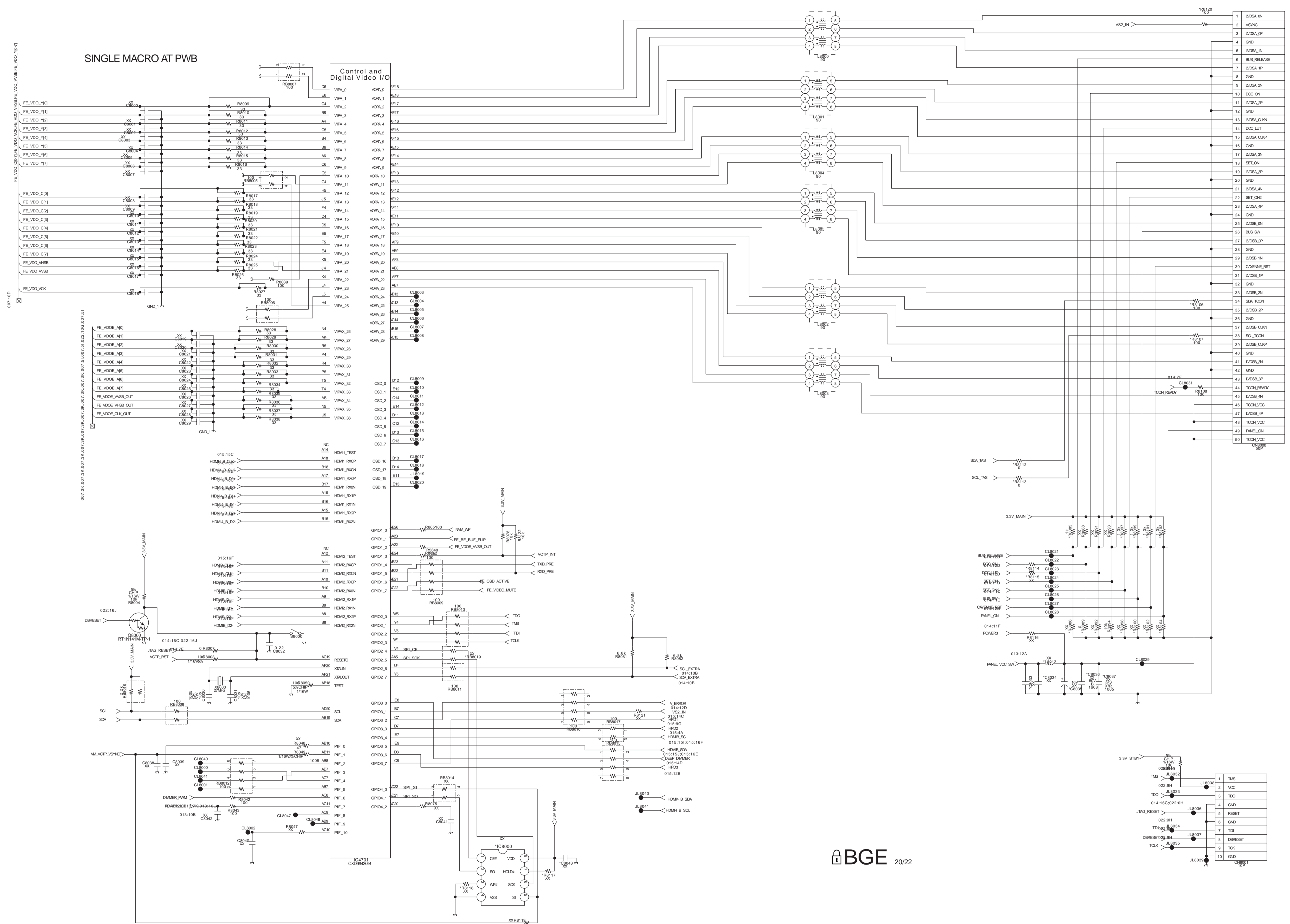


- BGE Board Schematic Diagram [ Main Microcontroller, HDMI/AV Side/PC Input, Audio Processor, Scarts ] Page 19/22 -



BGE - EG1L

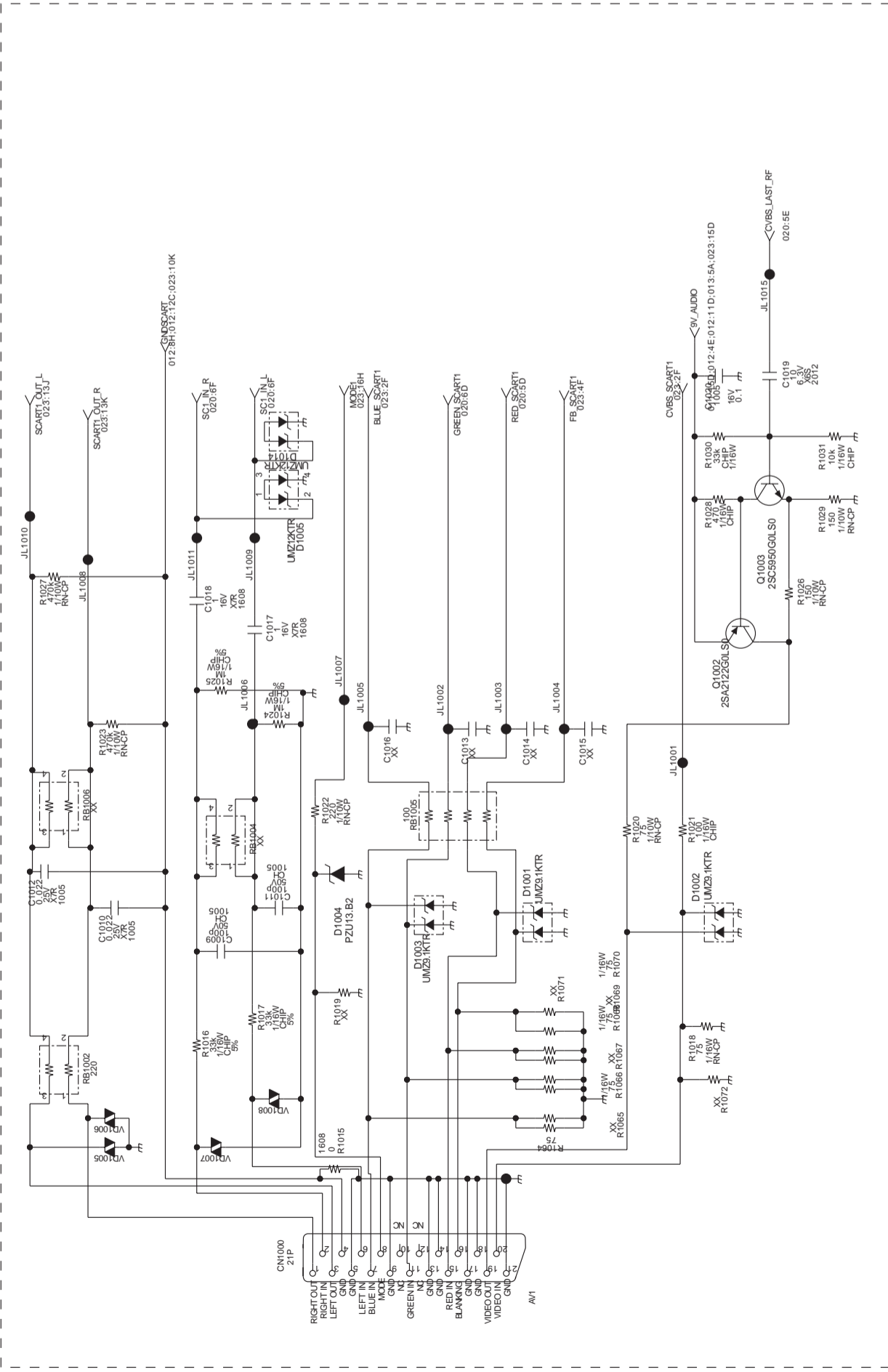
SINGLE MACRO AT PWB



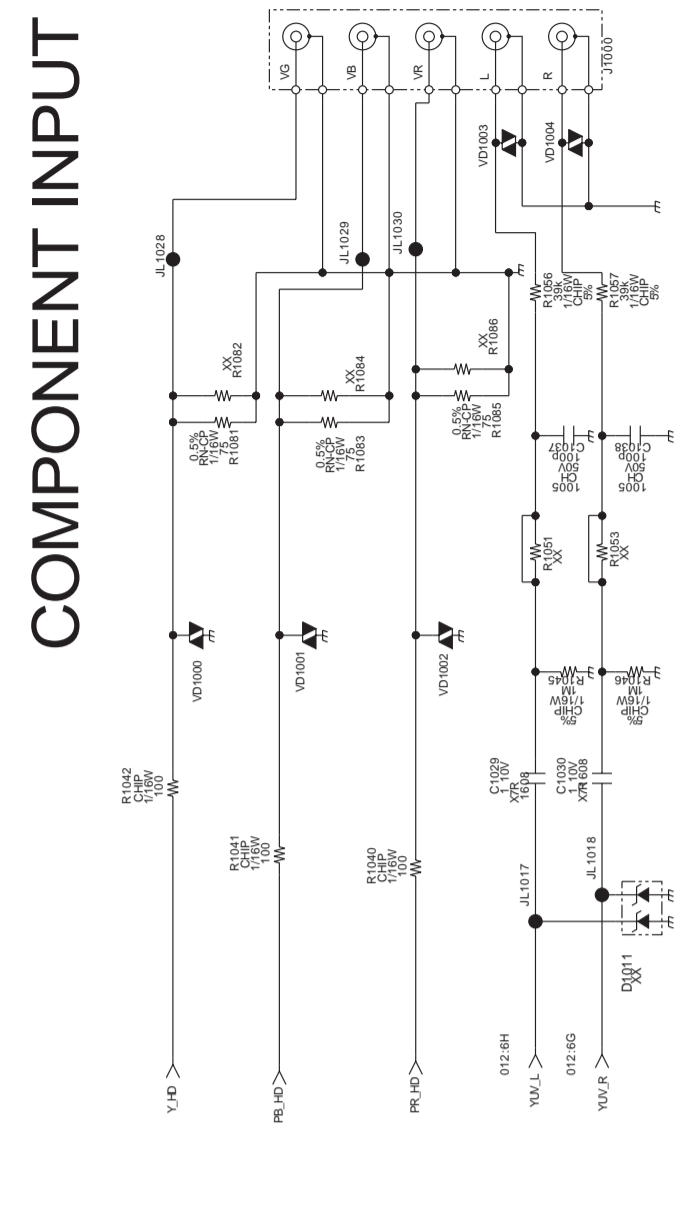
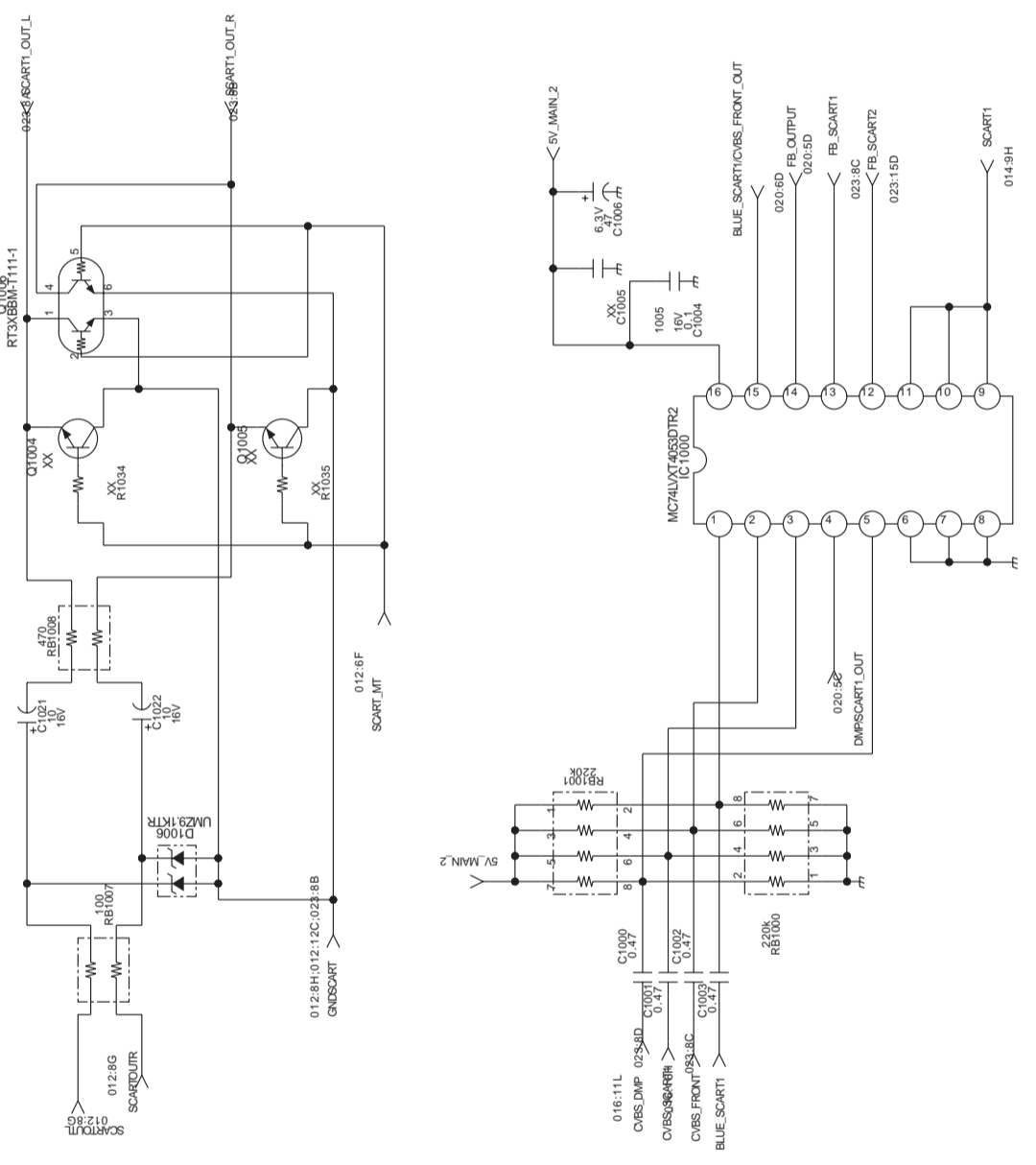
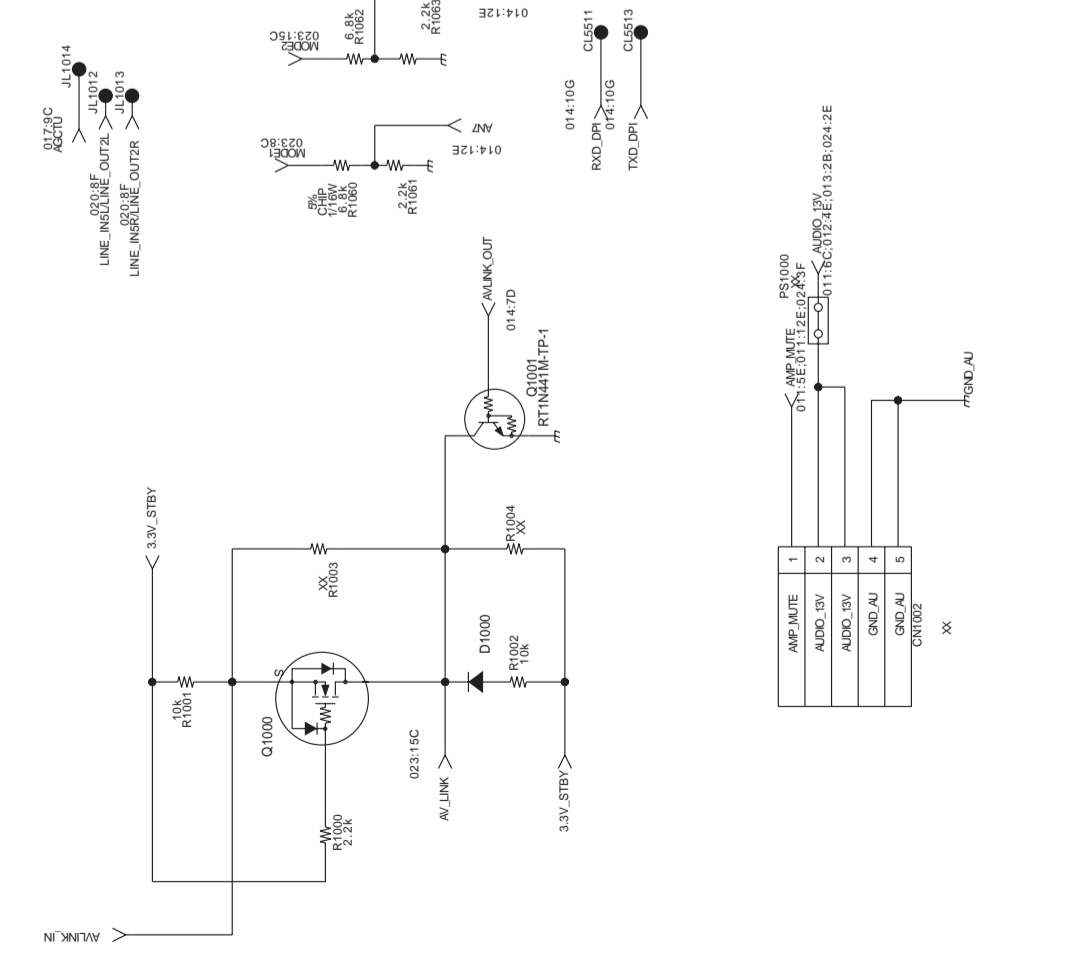
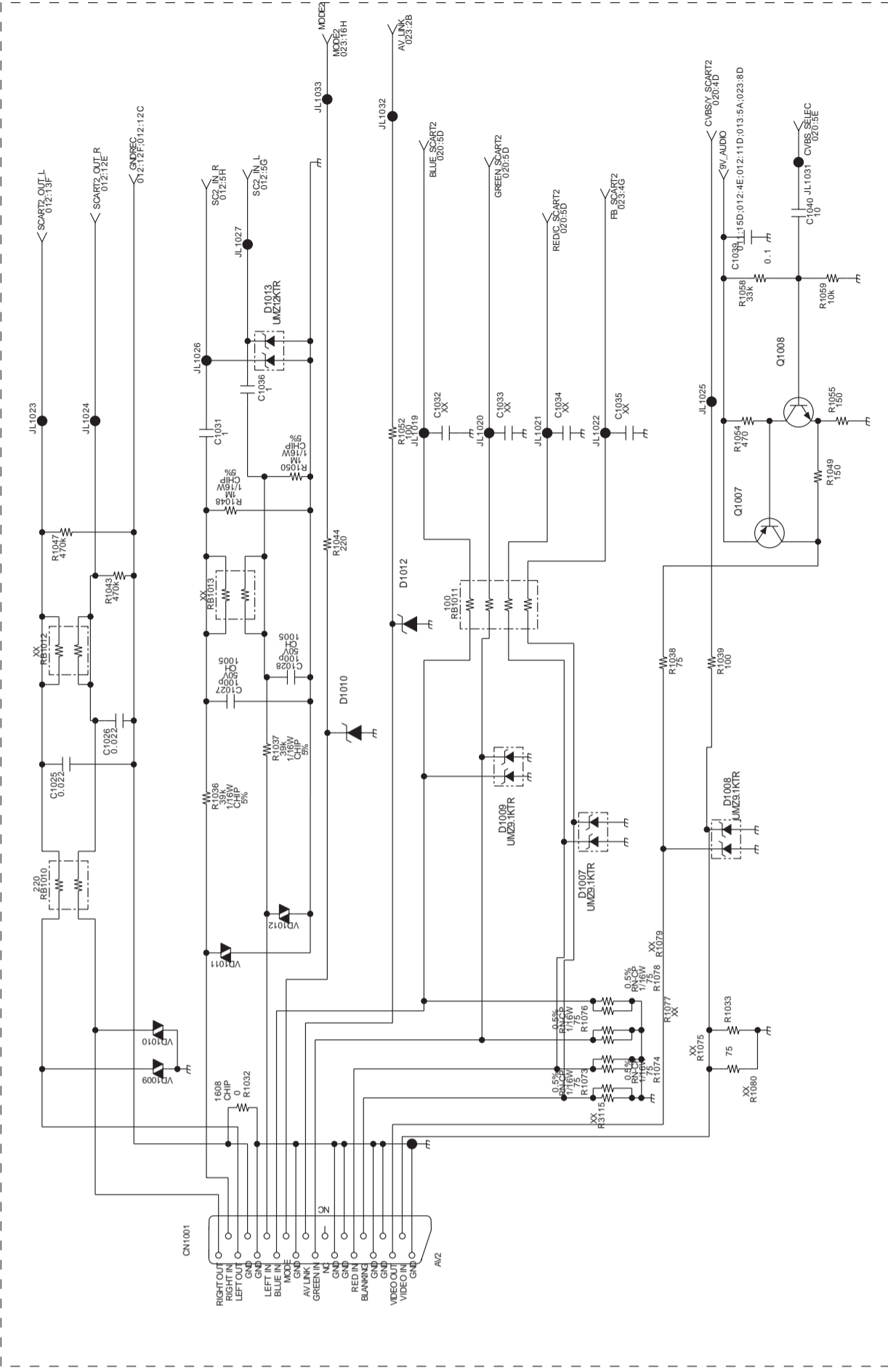
20/22

COMPONENTS MARKED AS XX REFER TO PARTS LIST, WILL ONLY BE LISTED IF FITTED

SCART1



SCART2



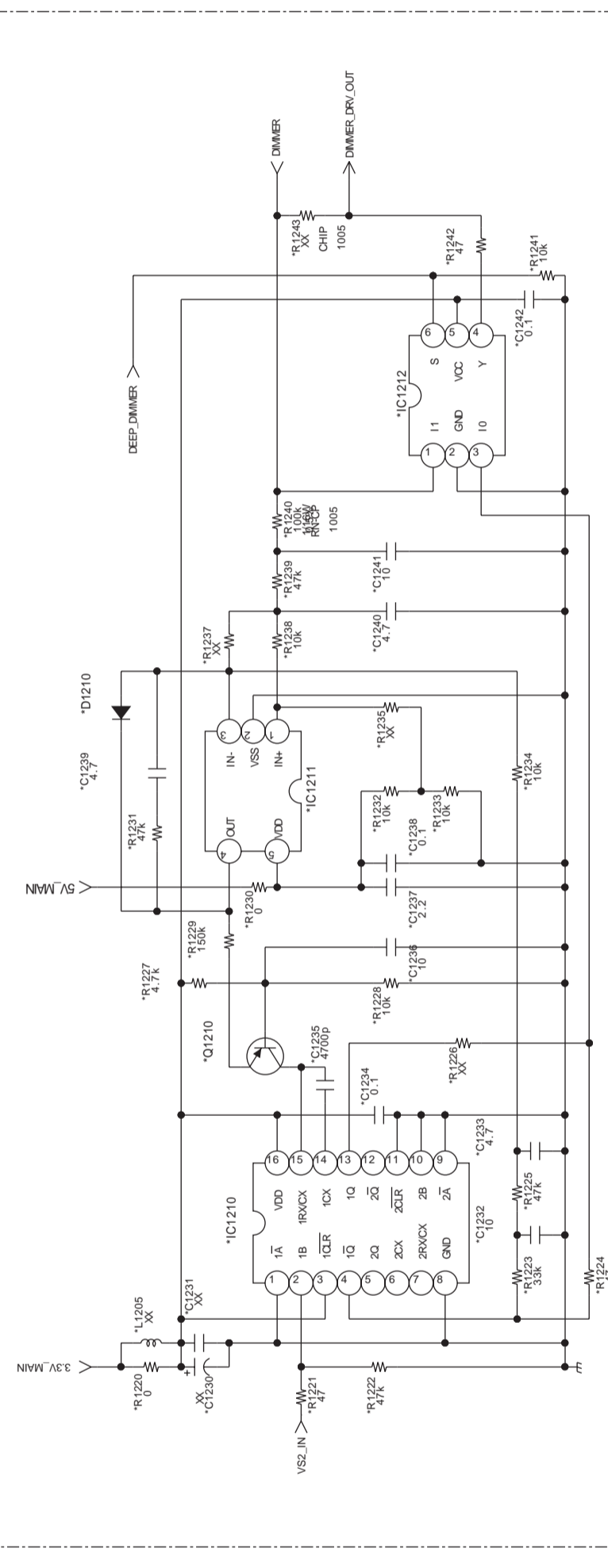
AMP IN 1	1	100K
AMP IN 2	2	100K
AMP IN 3	3	100K
AMP IN 4	4	100K
AMP IN 5	5	100K
AMP IN 6	6	100K
AMP IN 7	7	100K
AMP IN 8	8	100K
AMP IN 9	9	100K
AMP IN 10	10	100K
AMP IN 11	11	100K
AMP IN 12	12	100K
AMP IN 13	13	100K
AMP IN 14	14	100K
AMP IN 15	15	100K
AMP IN 16	16	100K
AMP IN 17	17	100K
AMP IN 18	18	100K
AMP IN 19	19	100K
AMP IN 20	20	100K
AMP IN 21	21	100K
AMP IN 22	22	100K

BGE 21/22

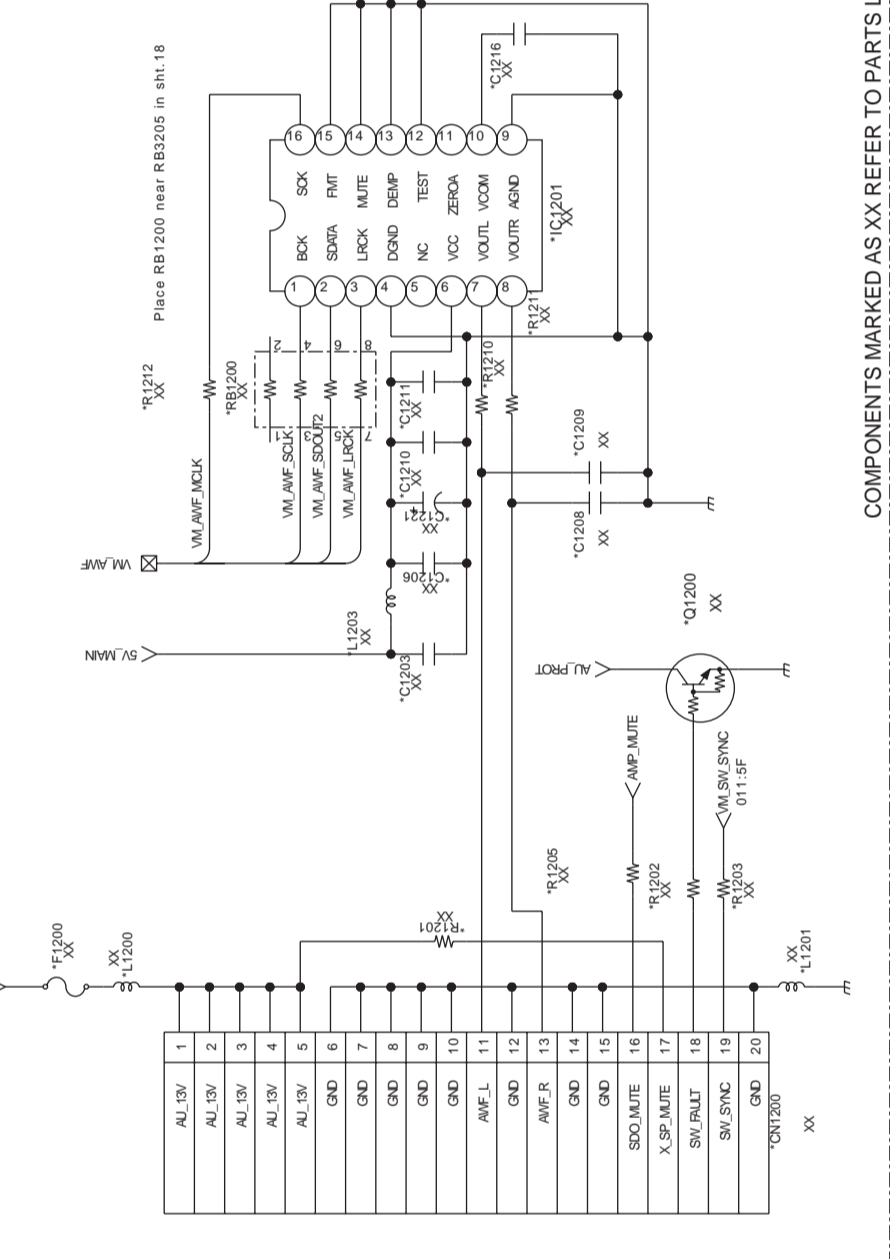
COMPONENTS MARKED AS XX REFER TO PARTS LIST. WILL ONLY BE LISTED IF FITTED

- BGE Board Schematic Diagram [ Main Microcontroller, HDMI/AV Side/PC Input, Audio Processor, Scarts ] Page 21/22 -

BGE-EG11



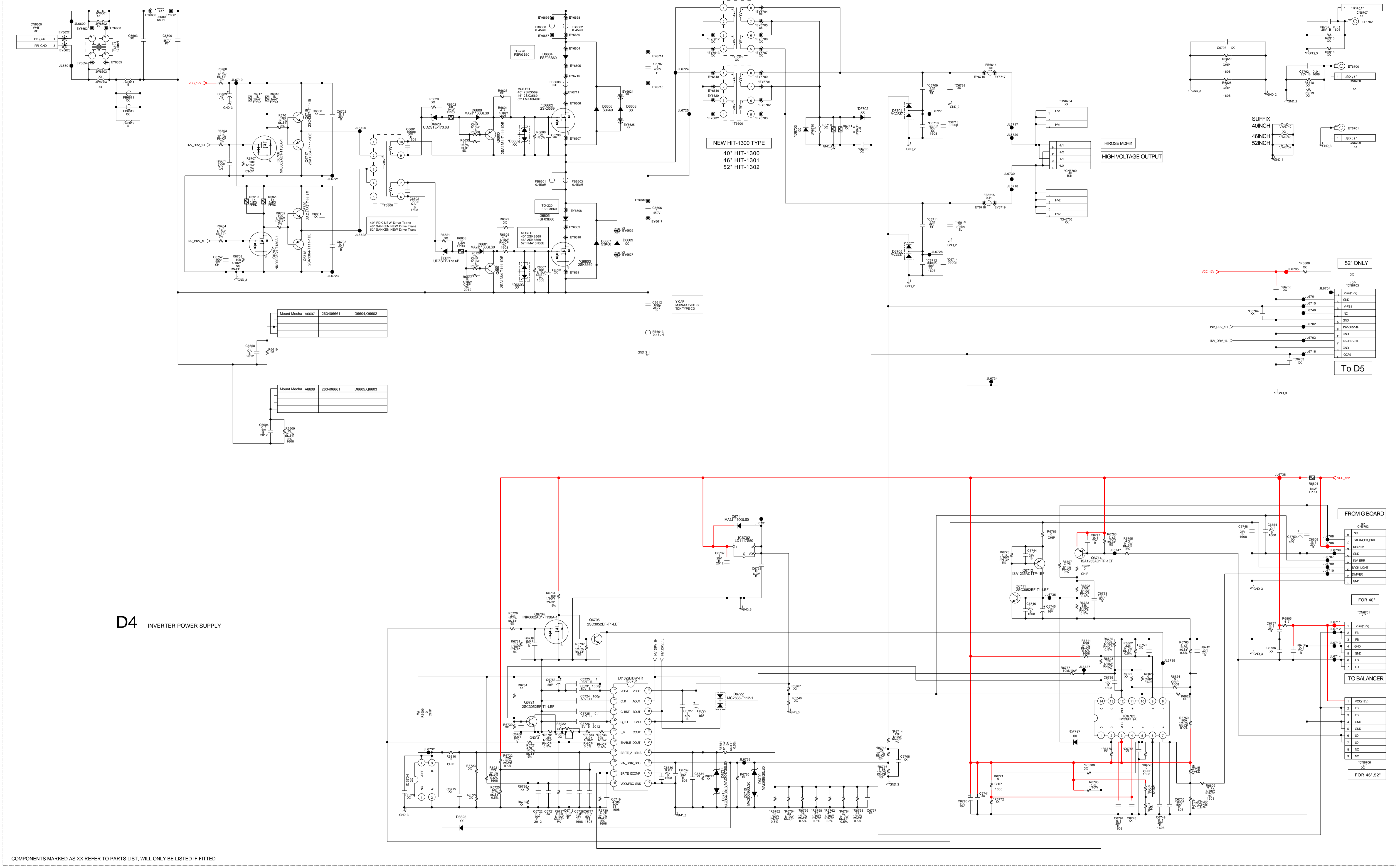
BGE 22/22



COMPONENTS MARKED AS XX REFER TO PARTS LIST. WILL ONLY BE LISTED IF FITTED

- BGE Board Schematic Diagram [ Main Microcontroller, HDMI/AV Side/PC Input, Audio Processor, Scarts ] Page 22/22 -





**D4** INVERTER POWER SUPPLY

COMPONENTS MARKED AS XX REFER TO PARTS LIST, WILL ONLY BE LISTED IF FITTED

Mount Mecha	A6607	263406661	D6604,Q6602
-------------	-------	-----------	-------------

Mount Mecha	A6608	263406661	D6605,Q6603
-------------	-------	-----------	-------------

52" ONLY

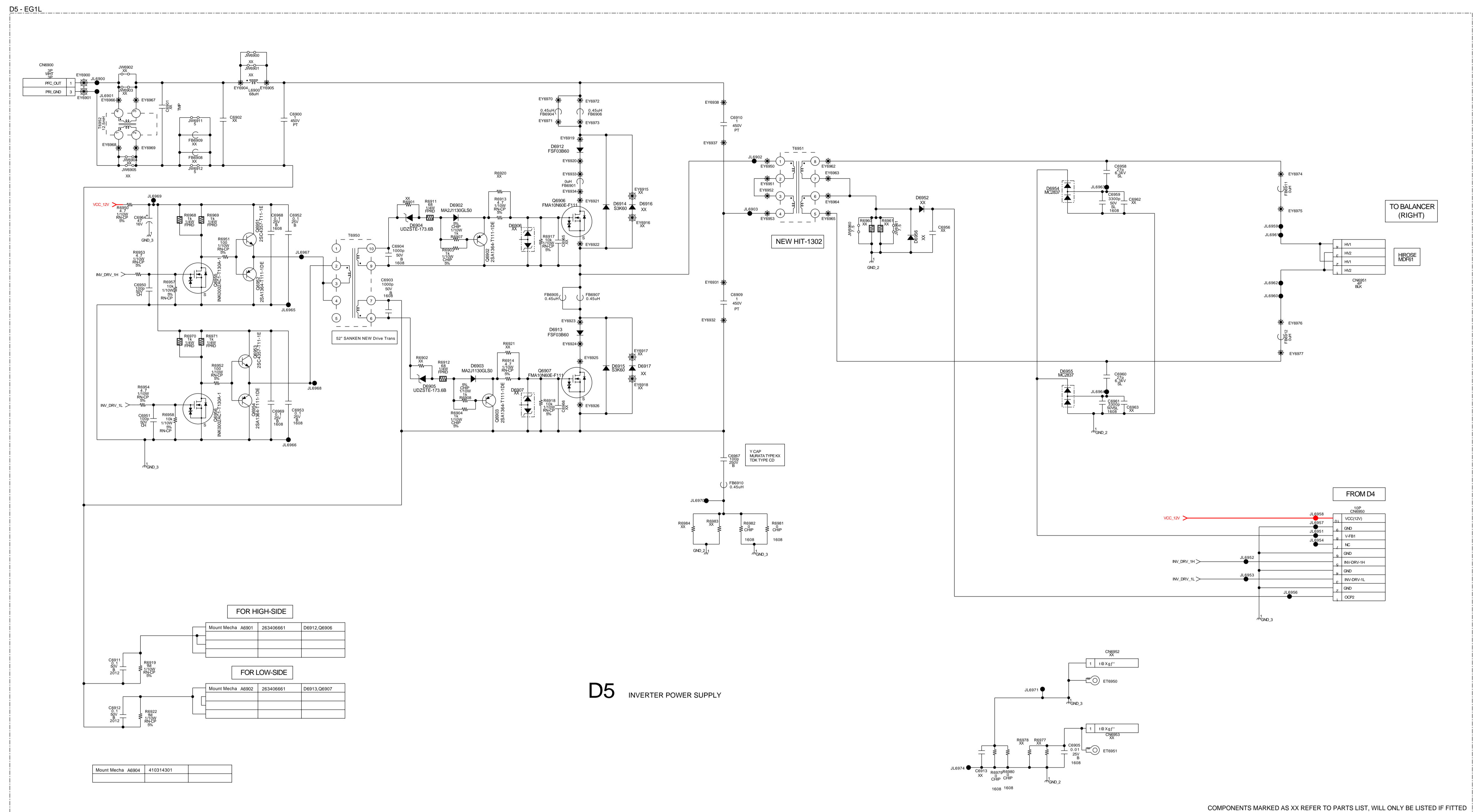
To D5

FROM G BOARD

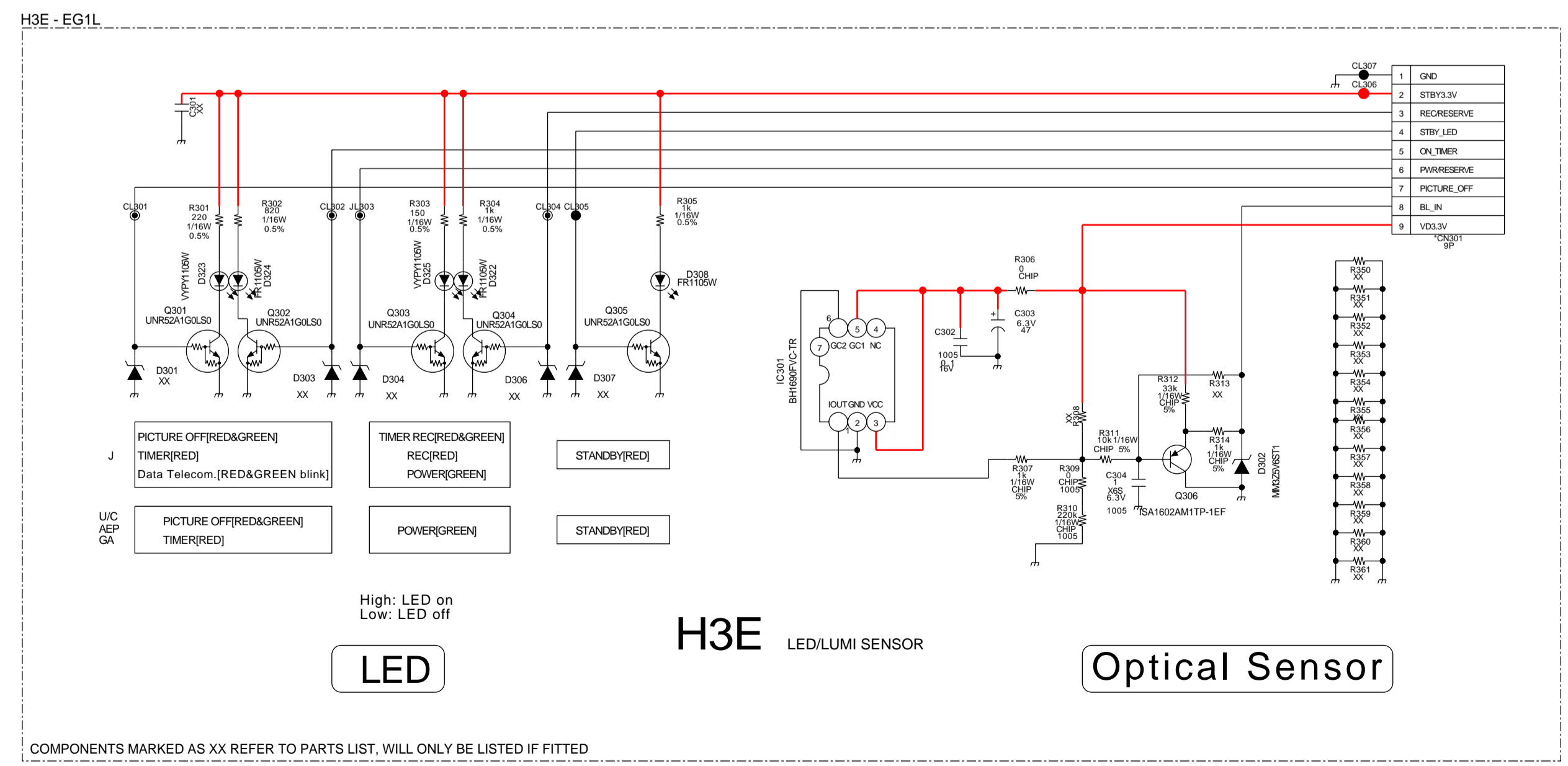
FOR 40"

TO BALANCER

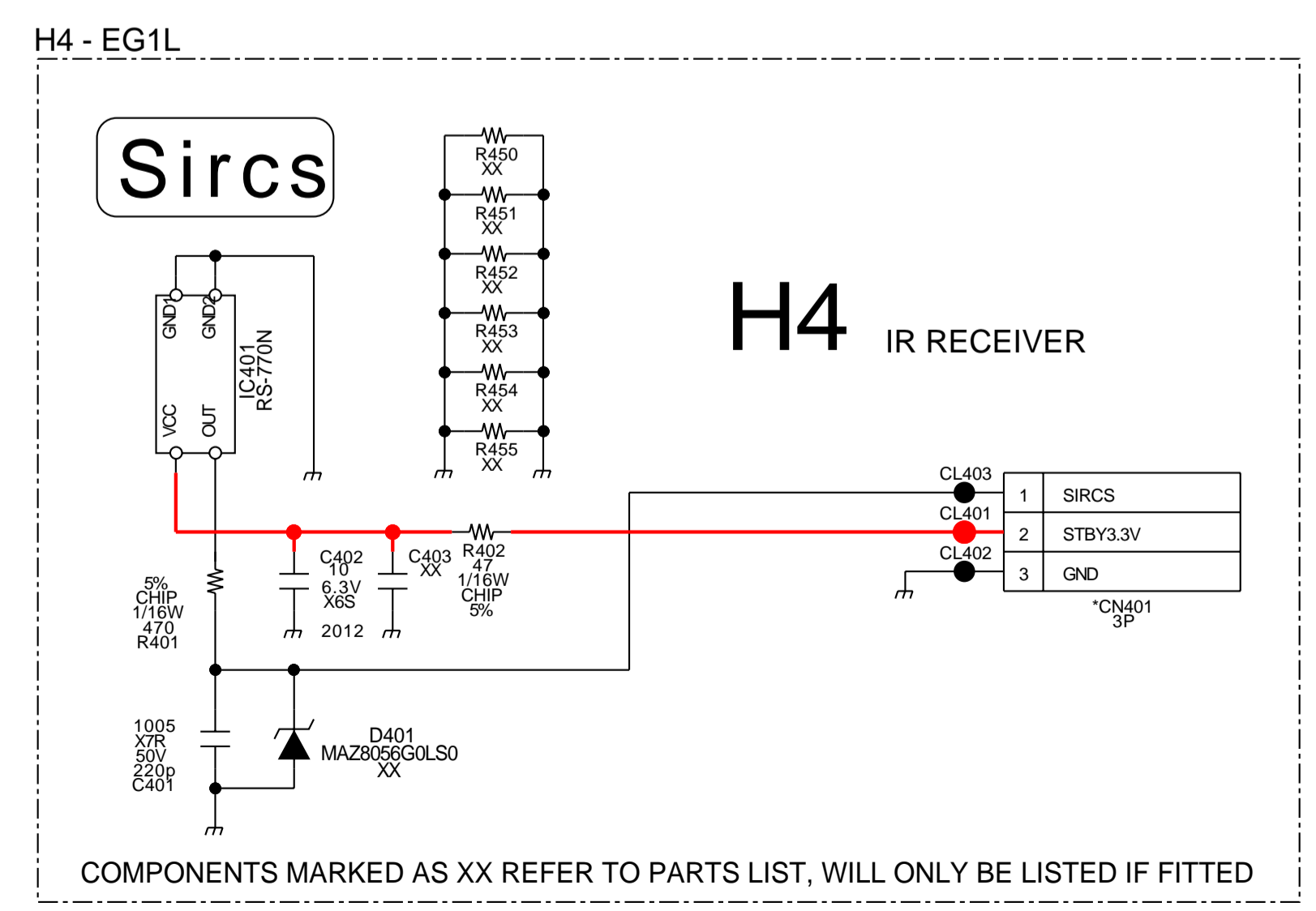
FOR 46",52"



- D5 Board Schematic Diagram [ Inverter Power Supply ] -

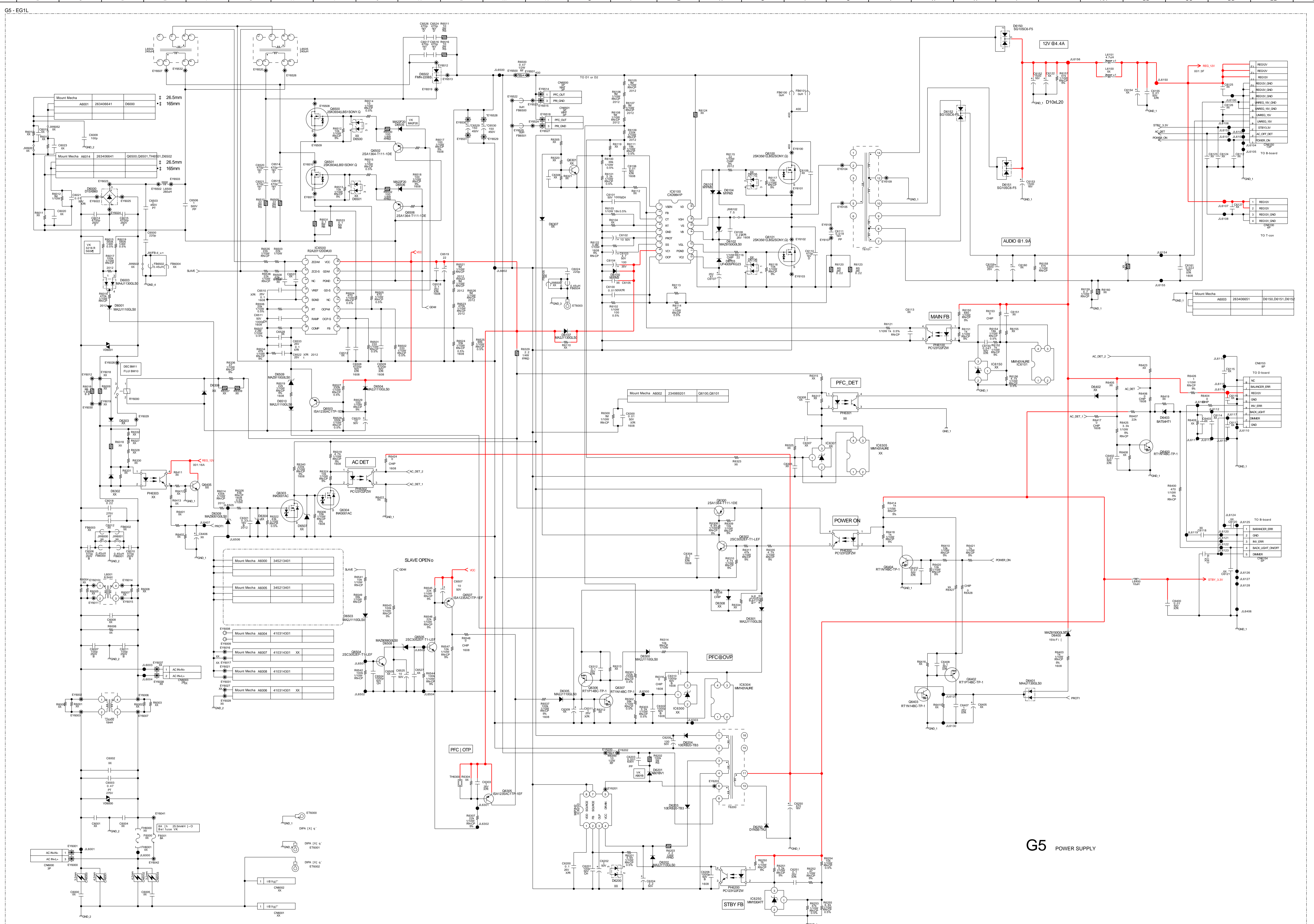


- H3E Board Schematic Diagram [ LED/Lumi sensor ] -



- H4 Board Schematic Diagram [ IR Receiver ] -

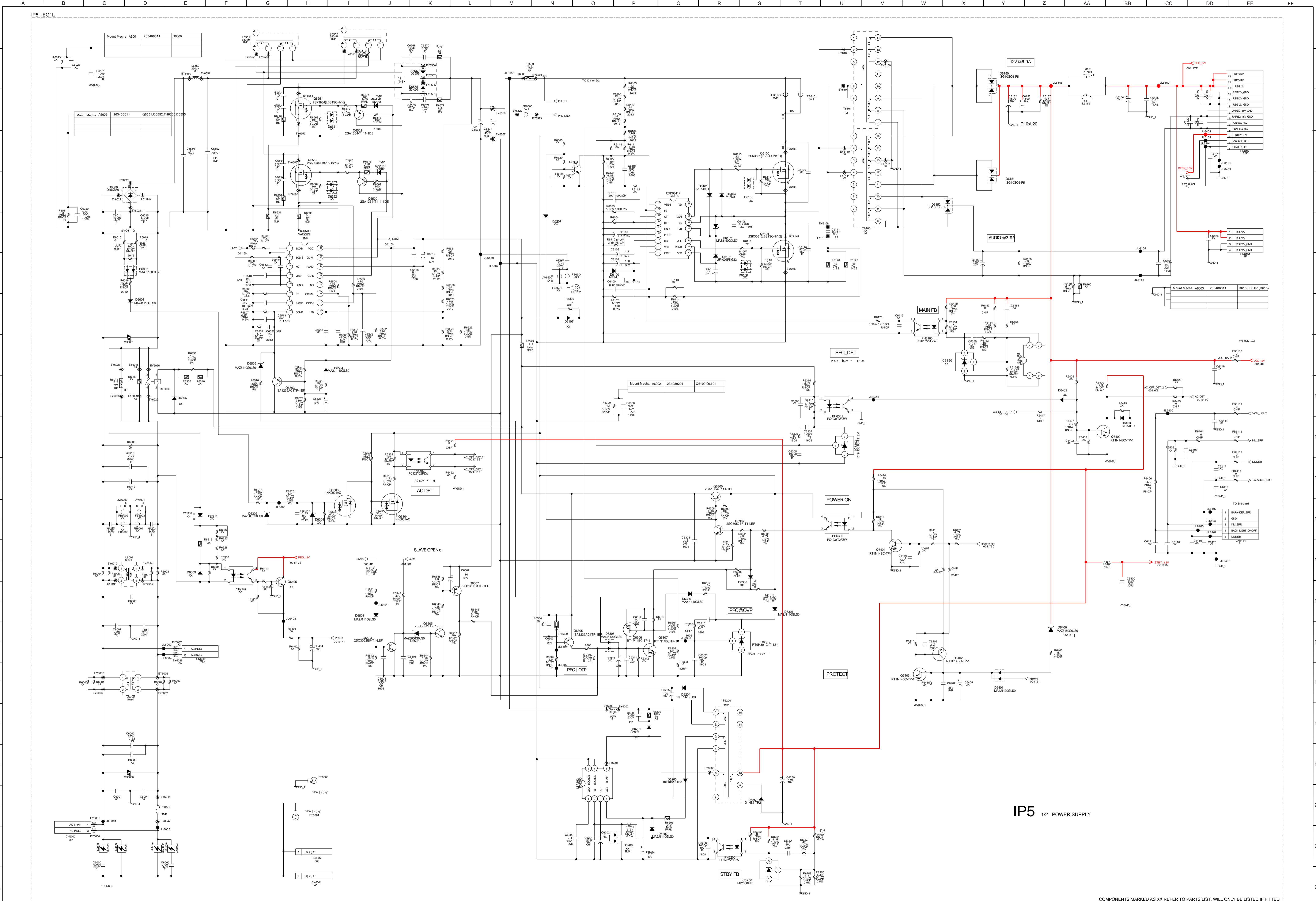




**G5 POWER SUPPLY**

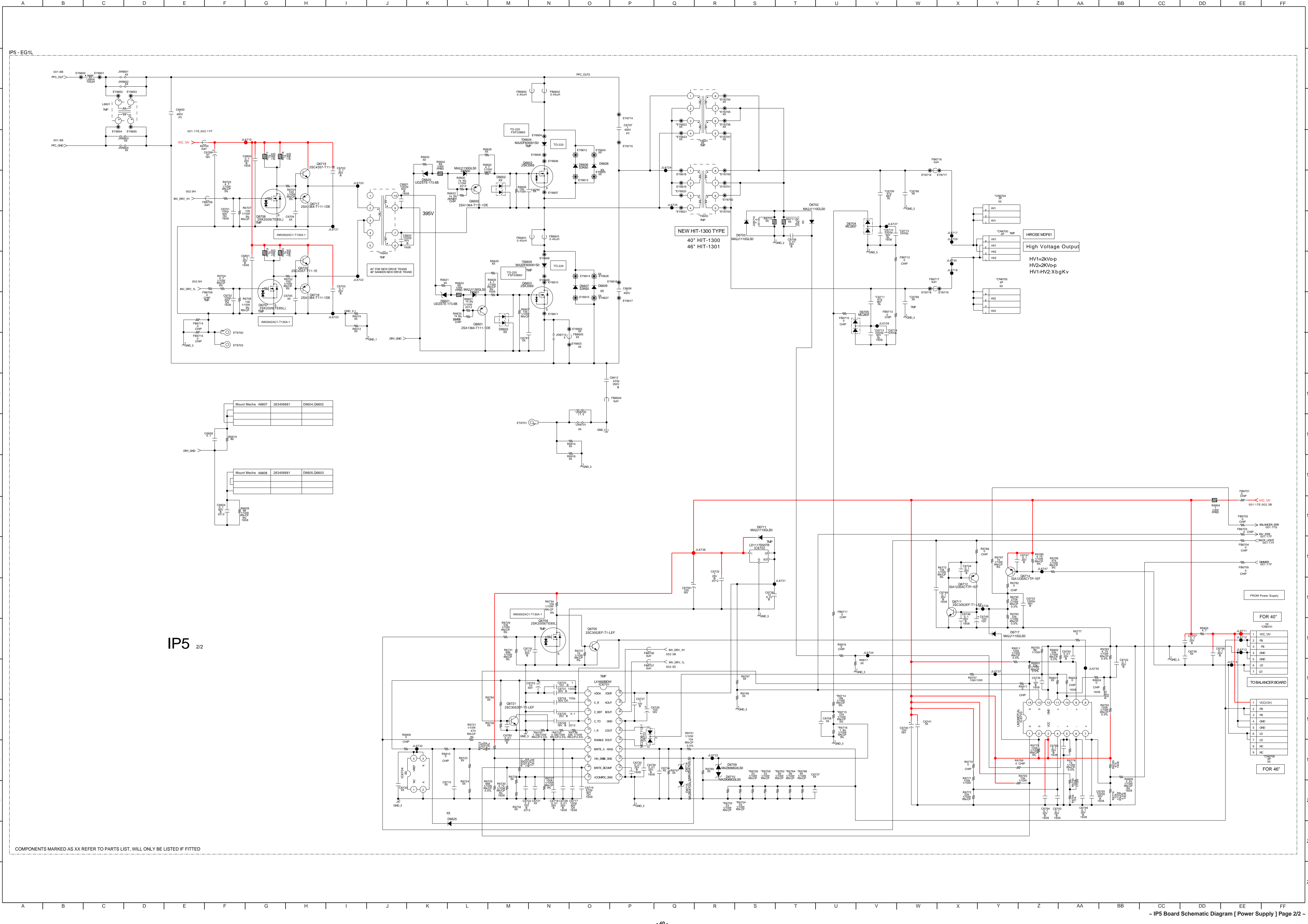
COMPONENTS MARKED AS XX REFER TO PARTS LIST. WILL ONLY BE LISTED IF FITTED





IP5 1/2 POWER SUPPLY

COMPONENTS MARKED AS XX REFER TO PARTS LIST, WILL ONLY BE LISTED IF FITTED



IP5 2/2

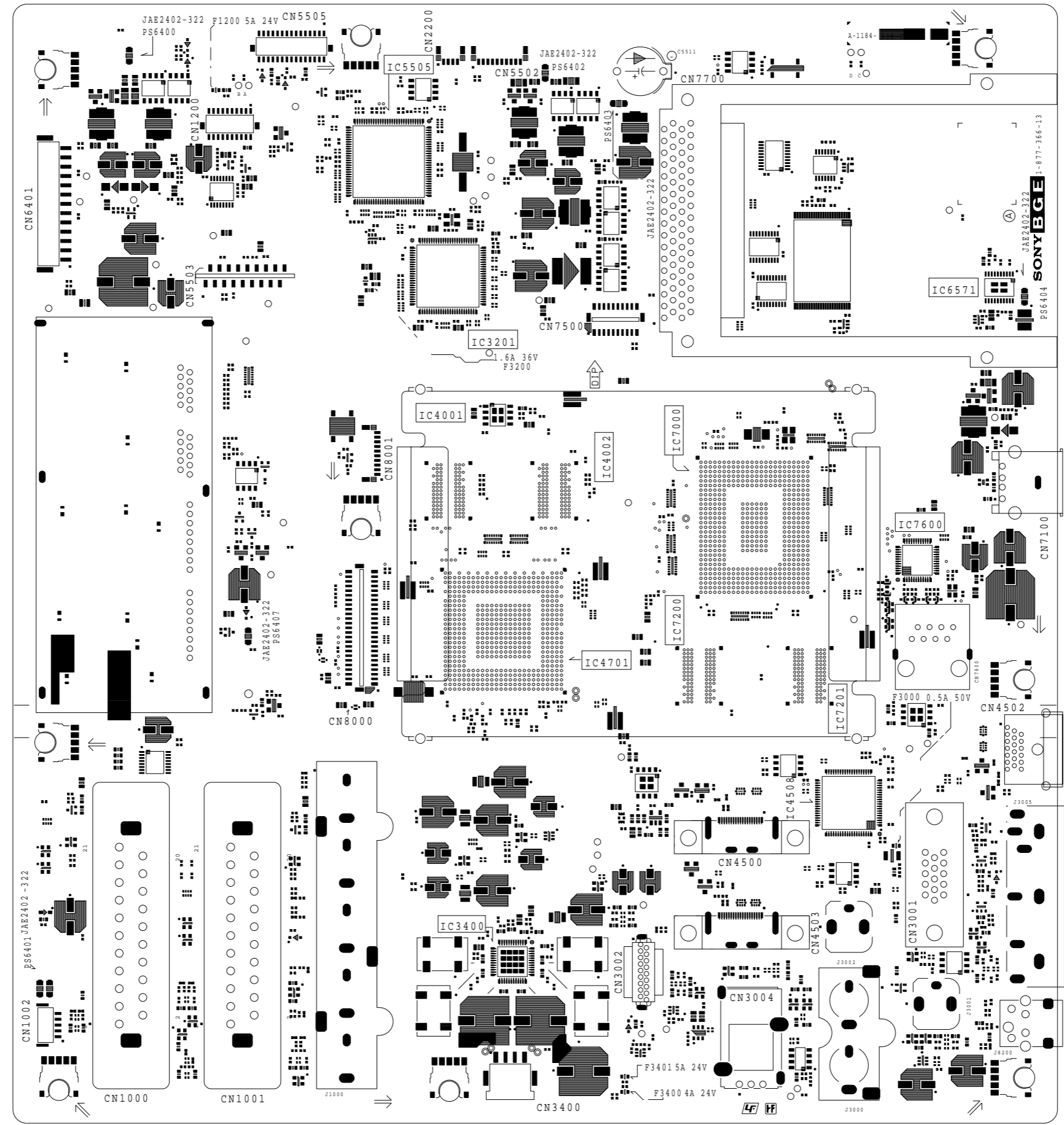
COMPONENTS MARKED AS XX REFER TO PARTS LIST. WILL ONLY BE LISTED IF FITTED

Mount Mecha	A6607	263406661	D6604_06602
Mount Mecha	A6606	263406661	D6605_06603

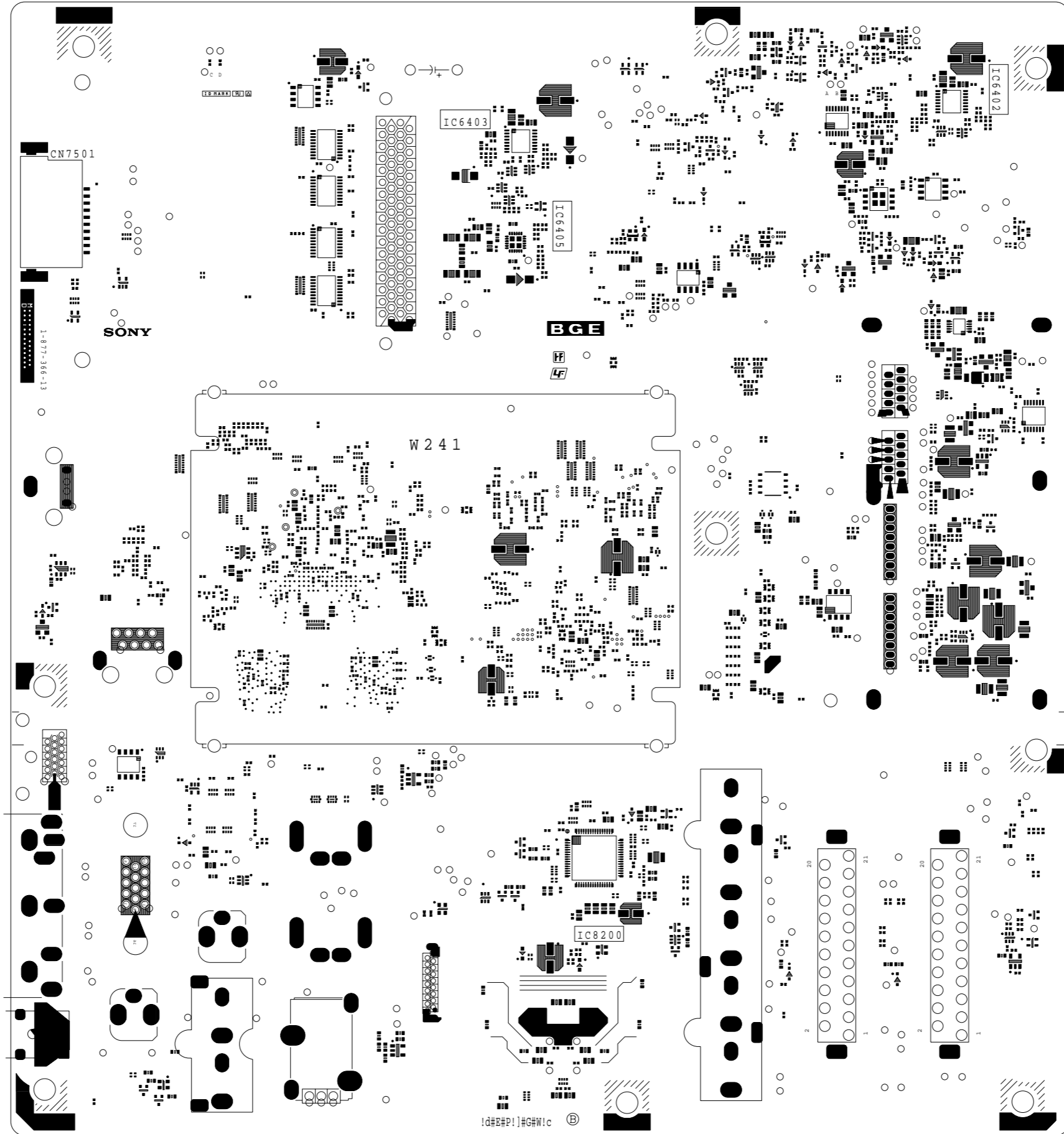
FROM Power Supply	1	VCC12V
FOR 40°	2	FB
FOR 46°	3	FB
	4	GND
	5	GND
	6	LD
	7	LD
	8	NC
	9	NC
	10	NC
	11	NC
	12	NC
	13	NC
	14	NC
	15	NC
	16	NC
	17	NC
	18	NC
	19	NC
	20	NC
	21	NC
	22	NC



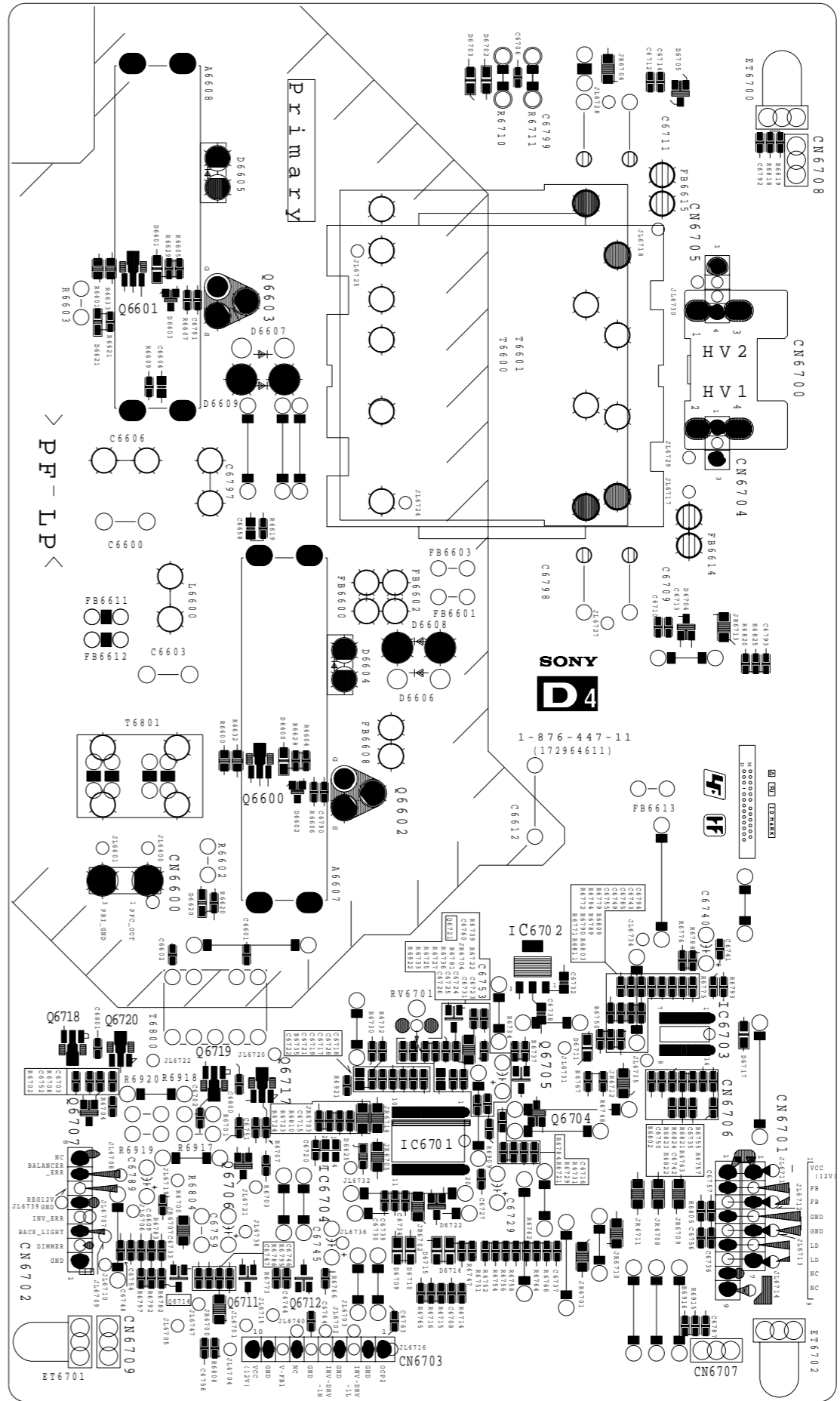
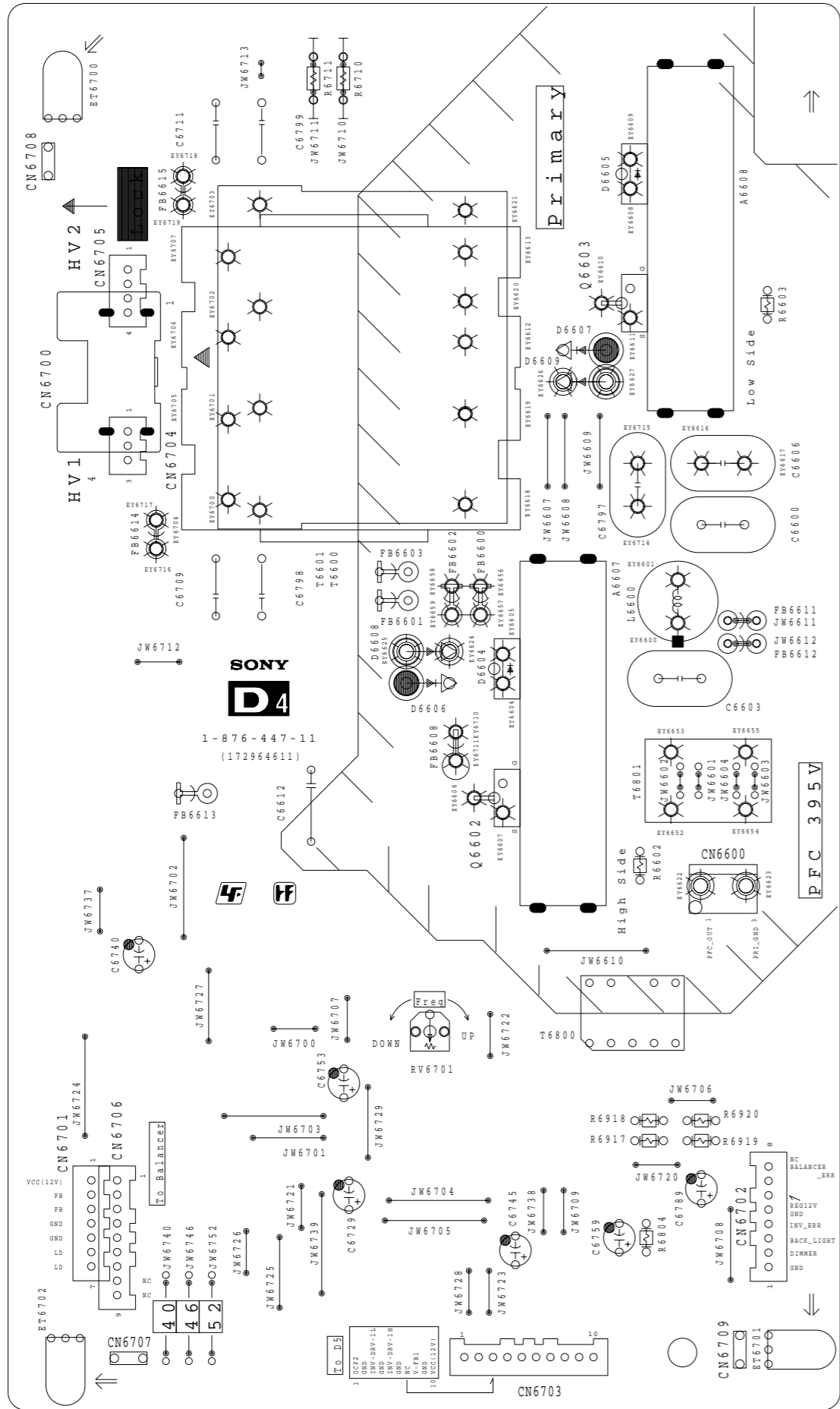
~ BGE Printed Wiring Board Side A ~



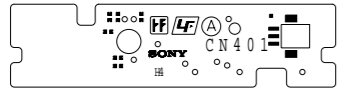
~ BGE Printed Wiring Board Side B ~



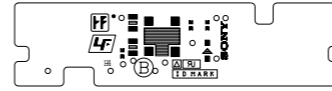
~ D4 Printed Wiring Board ~



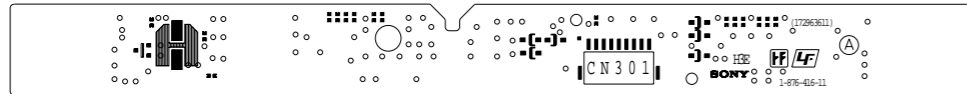
1 ~ H4 Printed Wiring Board Side A ~



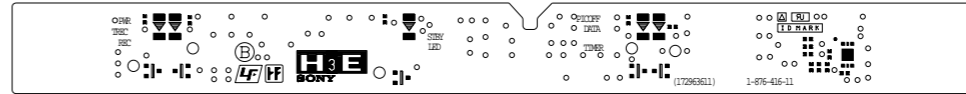
~ H4 Printed Wiring Board Side B ~



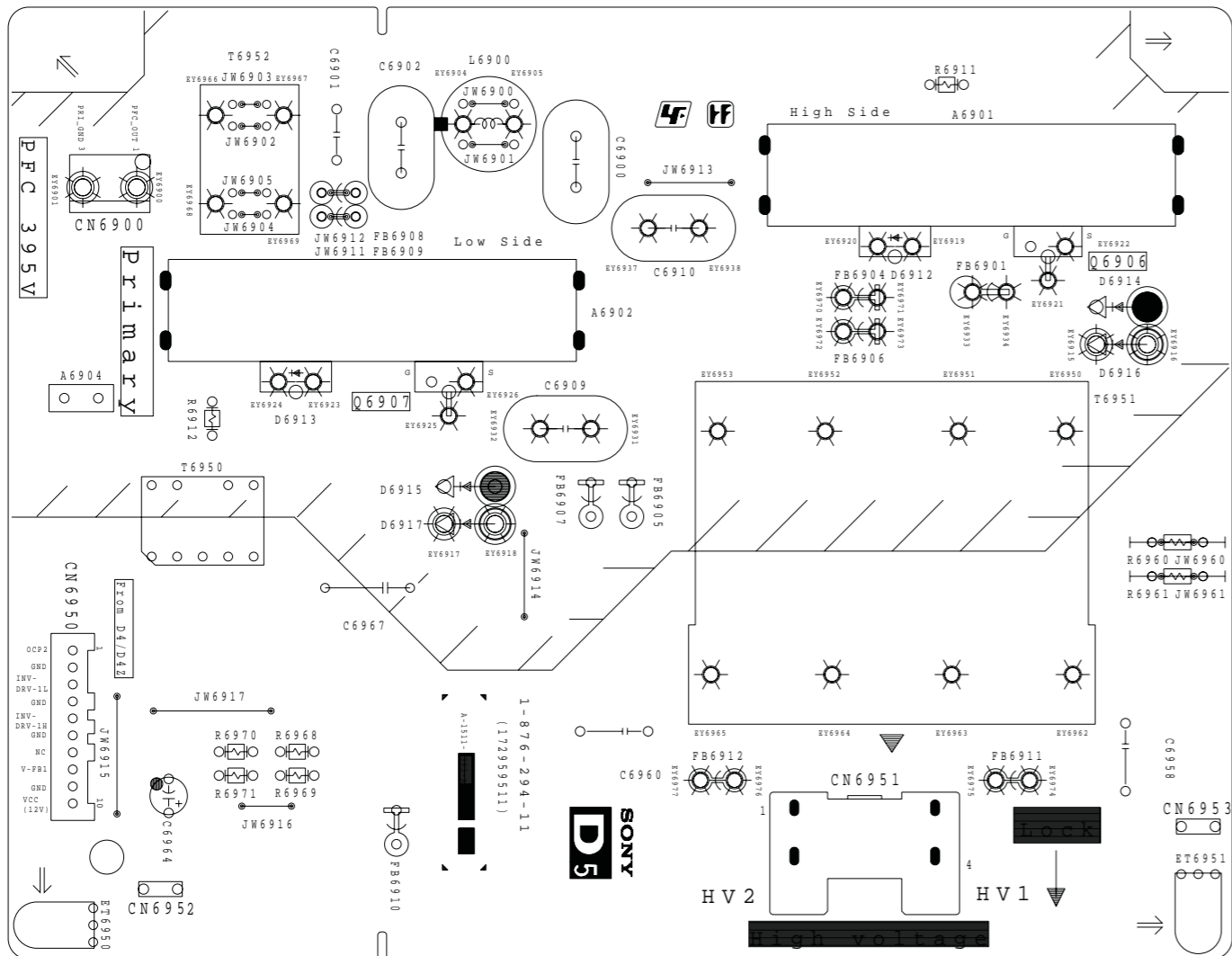
3 ~ H3E Printed Wiring Board Side A ~



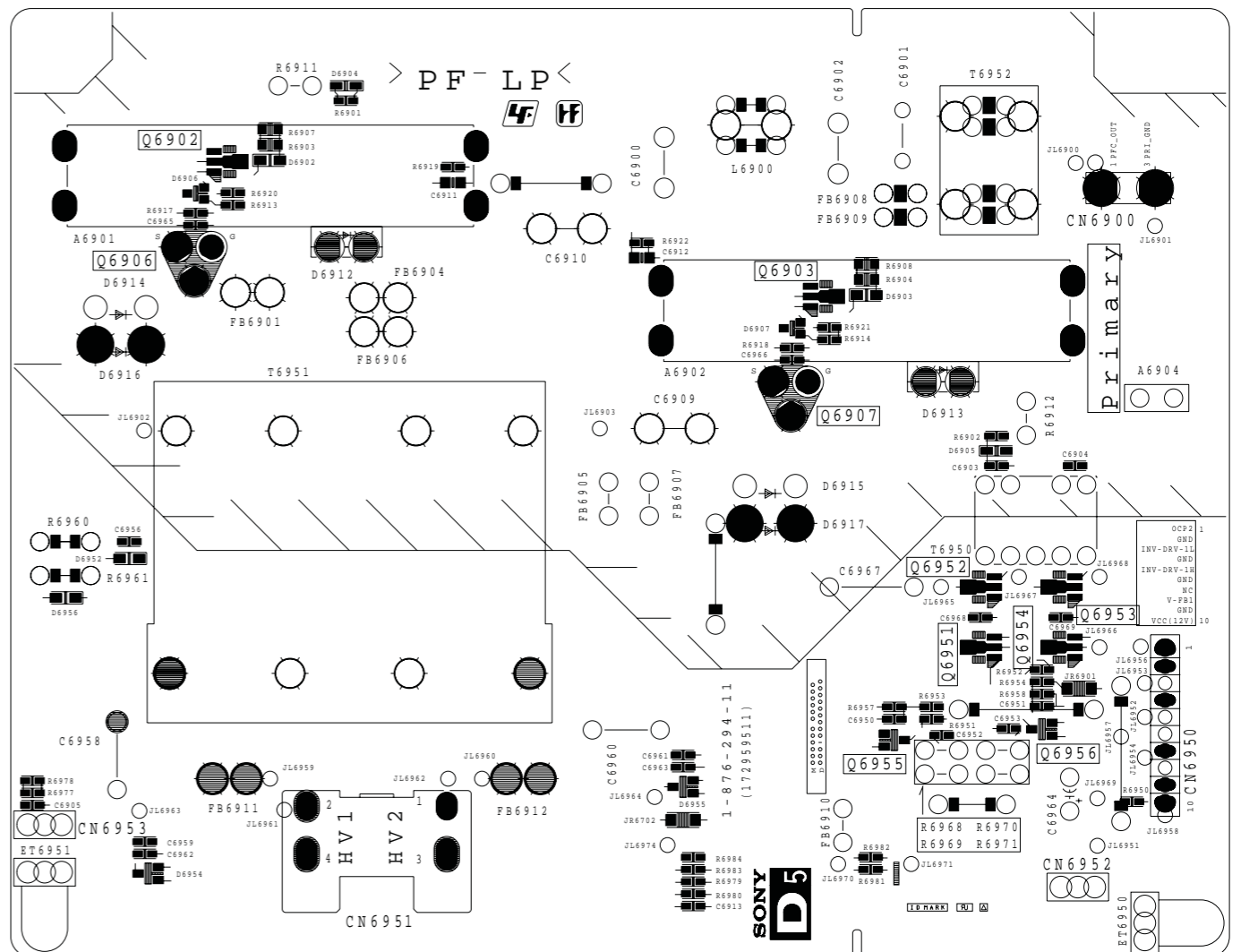
~ H3E Printed Wiring Board Side B ~



5 ~ D5 Printed Wiring Board Side A ~



~ D5 Printed Wiring Board Side B ~

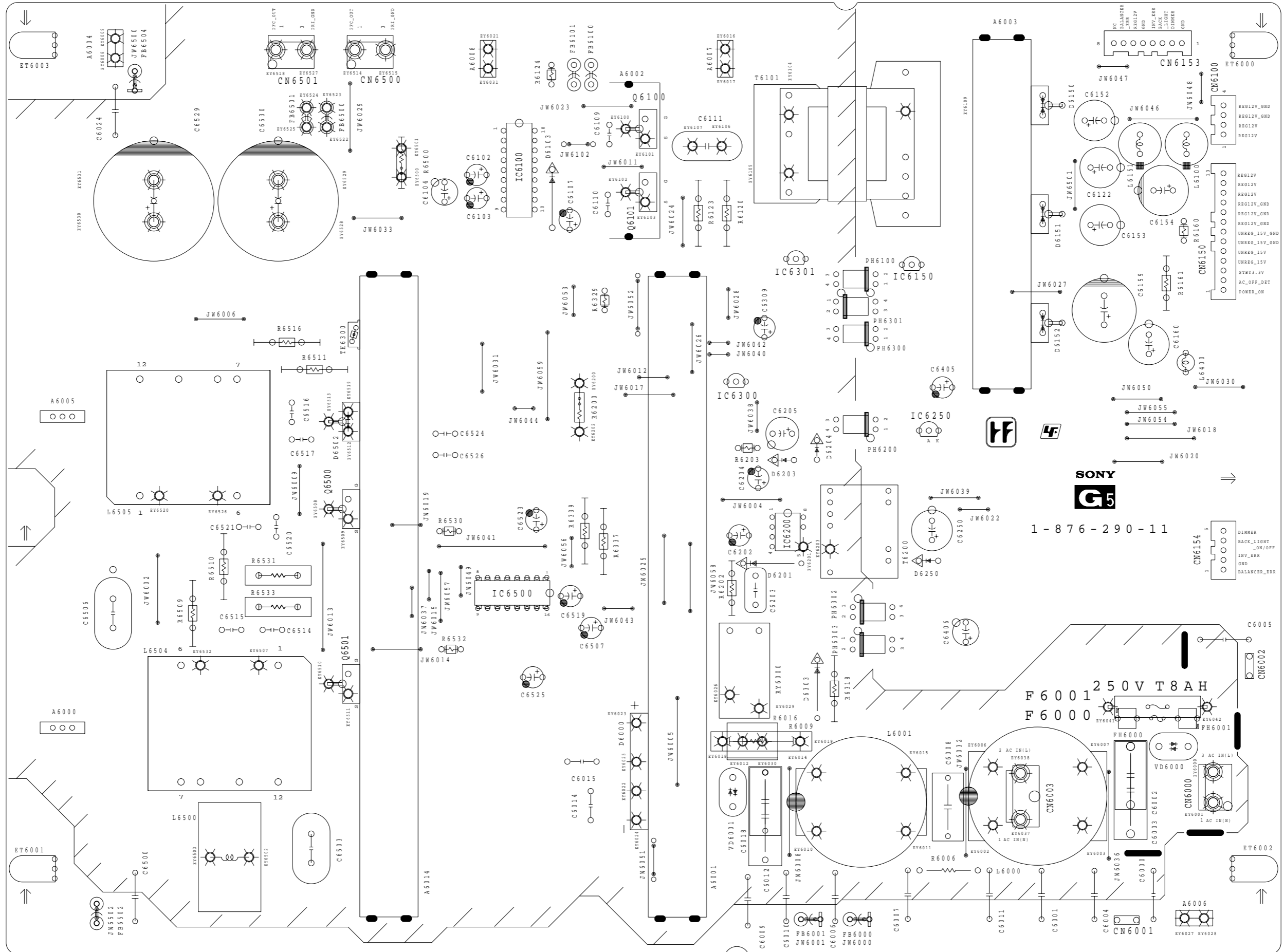




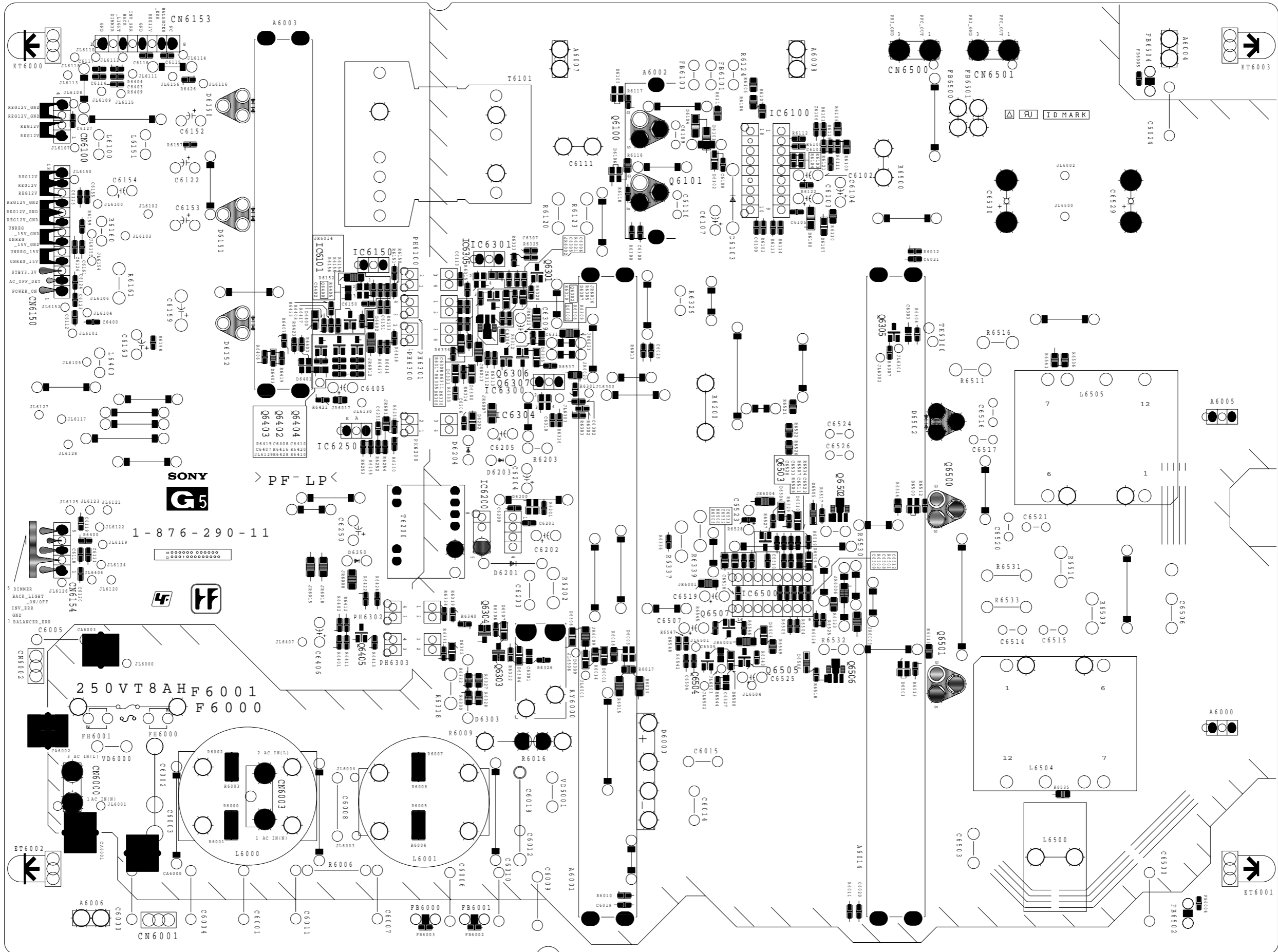
A B C D E F G H I J K L M N O

1  
2  
3  
4  
5  
6  
7  
8  
9  
10  
11

~ G5 Printed Wiring Board Side A ~

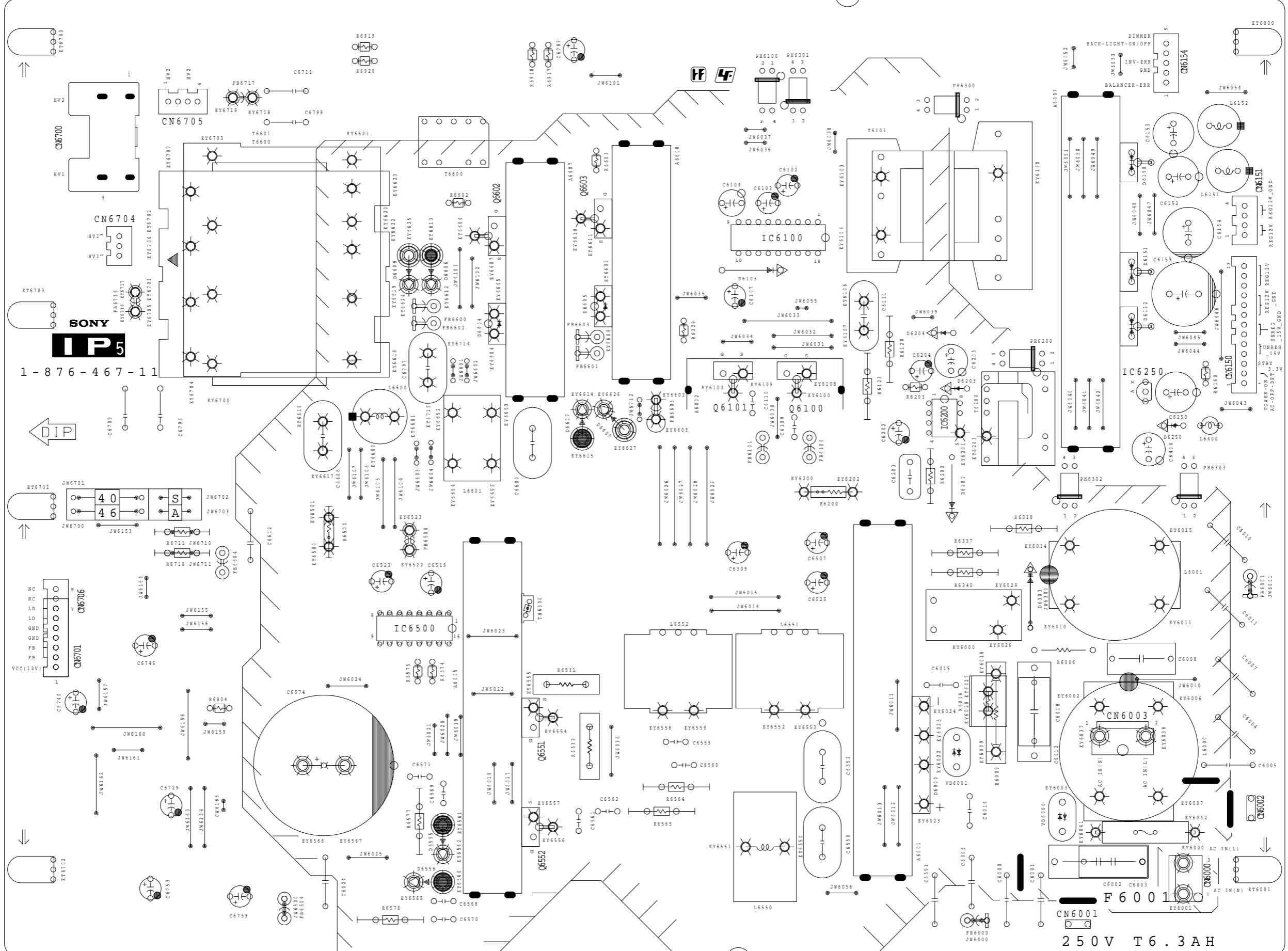


~ G5 Printed Wiring Board Side B ~



~ IP5 Printed Wiring Board Side A ~

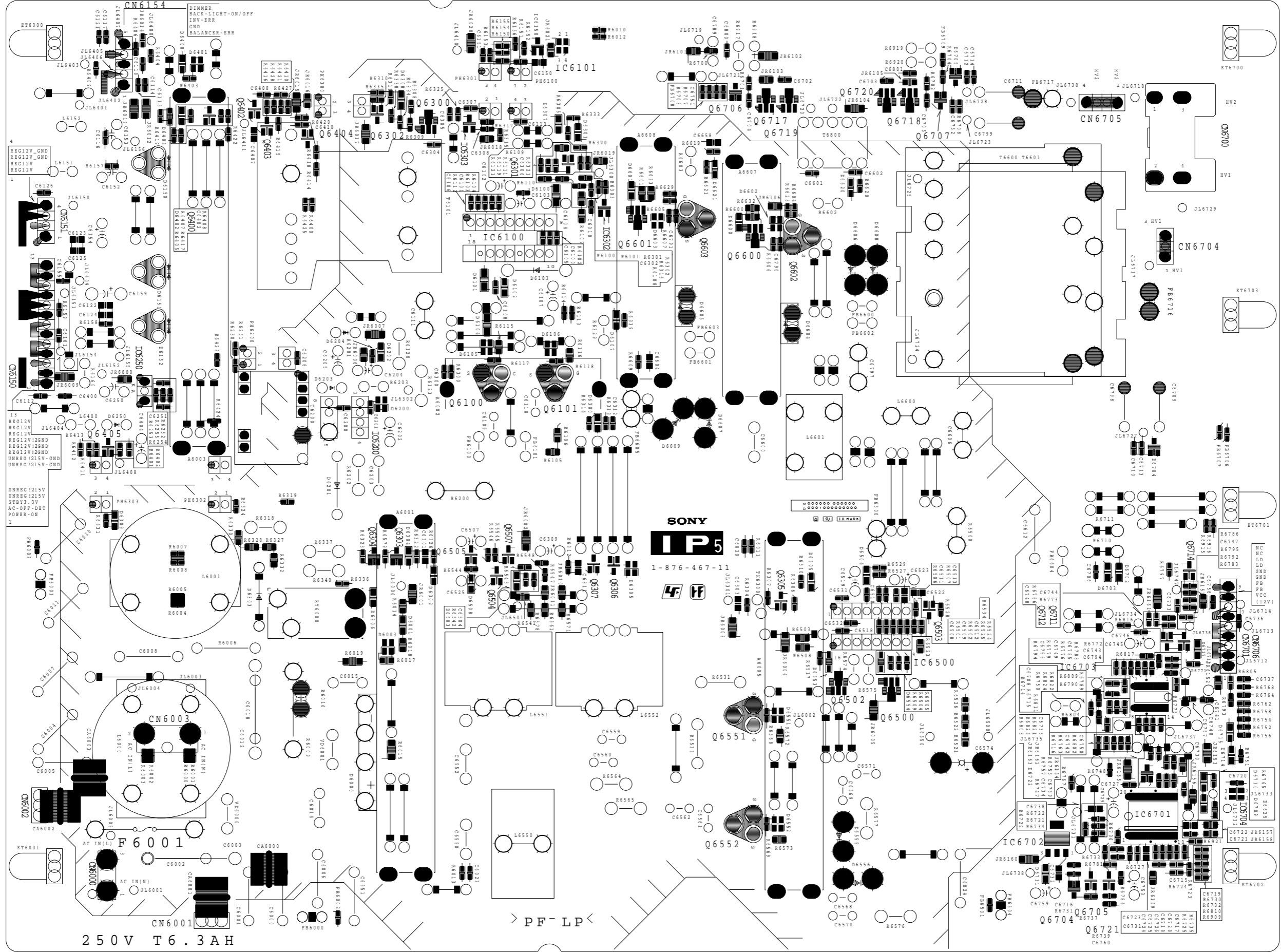
1  
2  
3  
4  
5  
6  
7  
8  
9  
10  
11



250V T6.3AH



~ IP5 Printed Wiring Board Side B ~





## SECTION 5 EXPLODED VIEWS

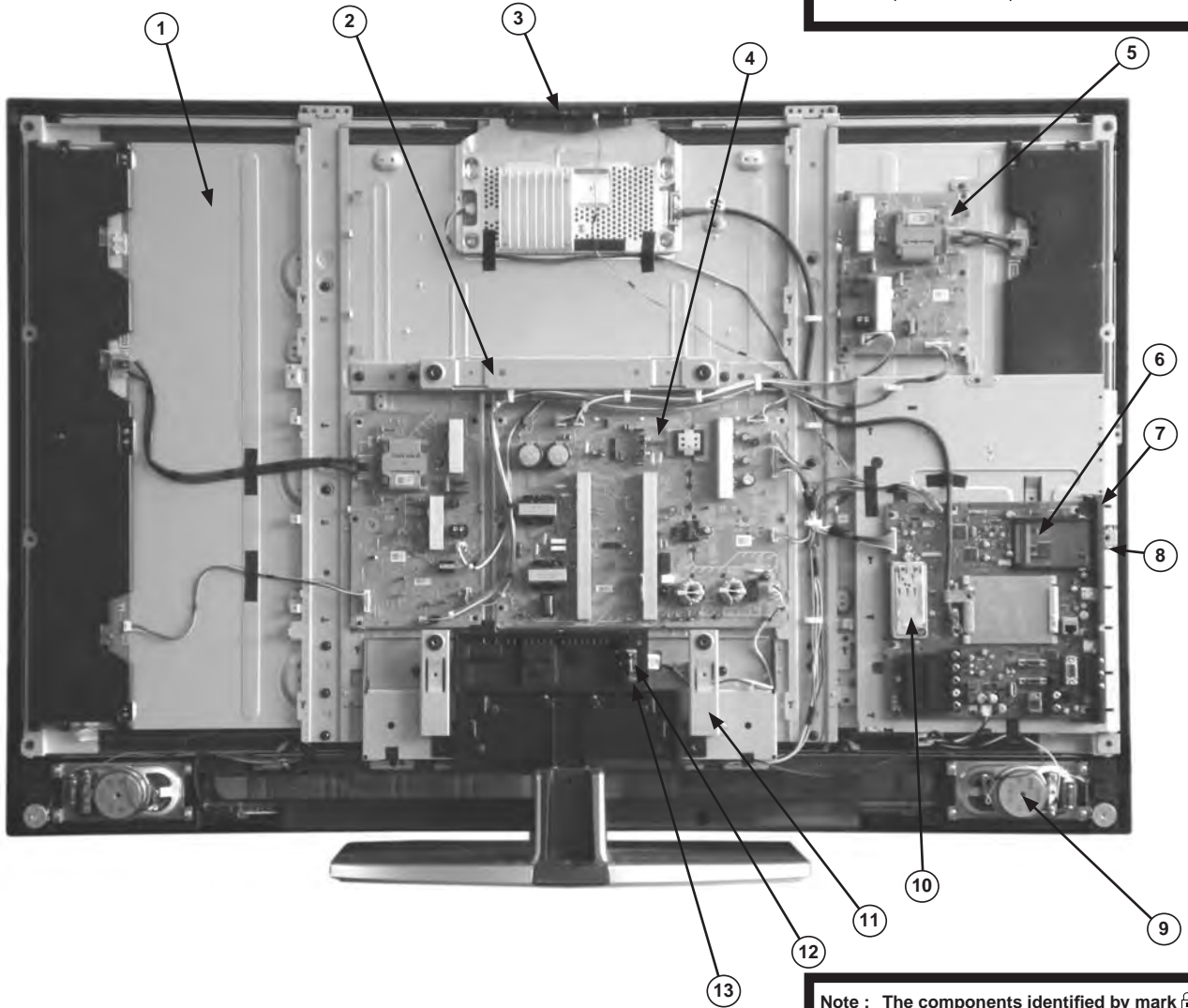
**NOTE :**

- Non-serviceable items with no part number and no description are not stocked because they are not required for routine service.
- The construction parts of an assembled part are indicated with a collation number in the remarks column.
- Items marked “\*” are not stocked since they are seldom required for routine service. Some delay should be anticipated when ordering these items.

**Note :** Les composants identifiés par une trame et par une marque Δ sont d'une importance critique pour la securite. Ne les remplacer que par des pieces du numero specifie.

**Note :** The components identified by shading and marked Δ are critical for safety. Replace only with the part numbers specified in the parts list.

**5-1. CHASSIS**



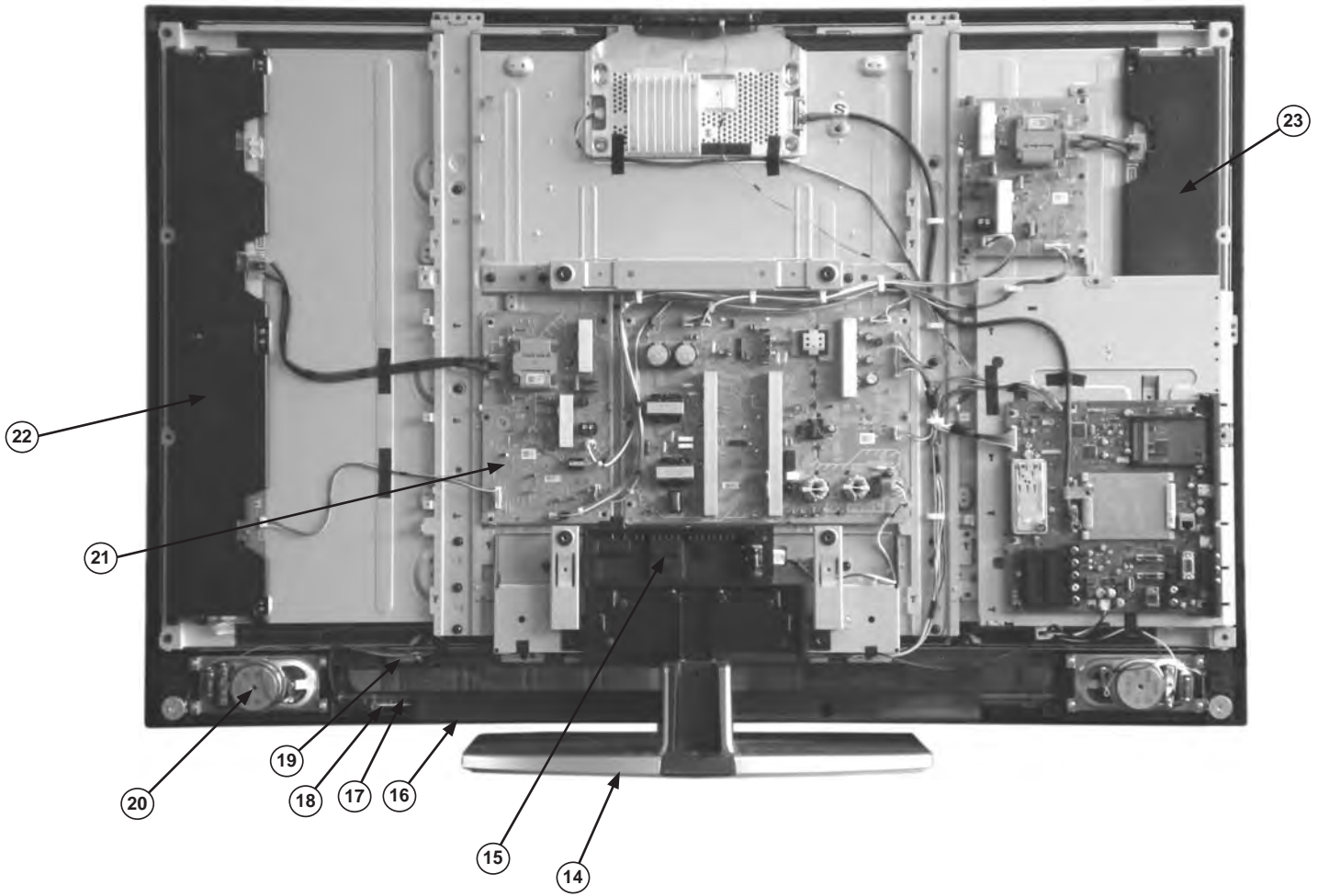
**Note :** The components identified by mark contain confidential information. Strictly follow the instructions when ever the components are repaired and/or replaced.

REF.NO.	PART.NO	DESCRIPTION	REMARK	REF.NO.	PART.NO	DESCRIPTION	REMARK
1	Δ 1-802-778-11	LCD PANEL (40 INCH FHD TFT) 40 inches		6	*A-1557-327-A	BGE BOARD, COMPLETE	
	Δ 1-802-777-11	LCD PANEL (46 INCH FHD TFT) 46 inches		7	X-2189-647-1	SIDE JACK BRACKET ASSY (AEP)	
	Δ 1-802-776-11	LCD PANEL (52 INCH FHD TFT) 52 inches		8	*4-101-356-02	CARD, DUMMY	
2	3-284-384-01	FRAME, VESA (TOP) 40 inches		9	1-858-041-11	LOUDSPEAKER (3,5.8X12.6CM) 40 inches	
	3-298-053-03	FRAME, VESA (TOP) 46/52 inches			1-826-921-12	LOUDSPEAKER (3,6.5X15CM) 46/52 inches	
3	Δ 1-480-708-11	SWITCH UNIT		10	8-597-641-00	TUNER UNIT, DIGITAL BTD-HF411T	
4	*A-1557-556-A	IP5 BOARD, COMPLETE 40 inches		11	3-298-056-01	FRAME, VESA (BOTTOM)	
	*A-1557-559-A	IP5 BOARD, COMPLETE 46 inches		12	Δ 1-822-097-11	AC INLET	
	*A-1558-703-A	G5 BOARD, COMPLETE 52 inches		13	Δ 3-298-060-01	BRACKET, AC INLET	
5	*A-1553-197-A	D5 BOARD, COMPLETE 52 inches					

5-1. CHASSIS Cont.

**Note :** Les composants indentifies par une trame et par une marque  $\Delta$  sont d'une importance critique pour la securite. Ne les remplacer que par des pieces du numero specifie.

**Note :** The components identified by shading and marked  $\Delta$  are critical for safety. Replace only with the part numbers specified in the parts list.



REF.NO.	PART.NO	DESCRIPTION	REMARK	REF.NO.	PART.NO	DESCRIPTION	REMARK
14	X-2189-410-2	STAND (ML) ASSY 40 inches		20	1-858-041-21	LOUDSPEAKER (3,5.8X12.6CM) 40 inches	
	X-2189-411-2	STAND (L) ASSY 46 inches			1-826-921-22	LOUDSPEAKER (3,6.5X15CM) 46/52 inches	
	X-2190-786-4	STAND (LL) ASSY 52 inches		21	*A-1553-195-A	D4 BOARD, COMPLETE 52 inches	
15	3-298-014-01	COVER, UNDER (L2) 40/46 inches		22	1-857-046-12	ETC-INVERTER MT BOARD 40 inches	
	3-298-229-01	COVER, UNDER (LL) 52 inches			1-857-047-12	ETC-INVERTER MT BOARD 46 inches	
16	3-298-013-01	BAR, UNDER (ML) 40 inches			1-857-111-12	ETC-INVERTER MT BOARD (LU) 52 inches	
	3-298-029-01	BAR, UNDER (L) 46/52 inches			1-857-112-12	ETC-INVERTER MT BOARD (LL) 52 inches	
17	3-876-467-01	GUIDE, LIGHT(H)		23	1-857-113-12	ETC-INVERTER MT BOARD (RU) 52 inches	
18	*A-1510-350-A	H3E BOARD, COMPLETE			1-857-114-12	ETC-INVERTER MT BOARD (RL) 52 inches	
19	*A-1510-351-A	H4 BOARD, COMPLETE					

## 5-2. BEZEL

**Note :** Les composants indentifiés par une trame et par une marque  $\Delta$  sont d'une importance critique pour la sécurité. Ne les remplacer que par des pièces du numéro spécifié.

**Note :** The components identified by shading and marked  $\Delta$  are critical for safety. Replace only with the part numbers specified in the parts list.

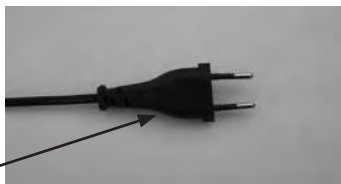
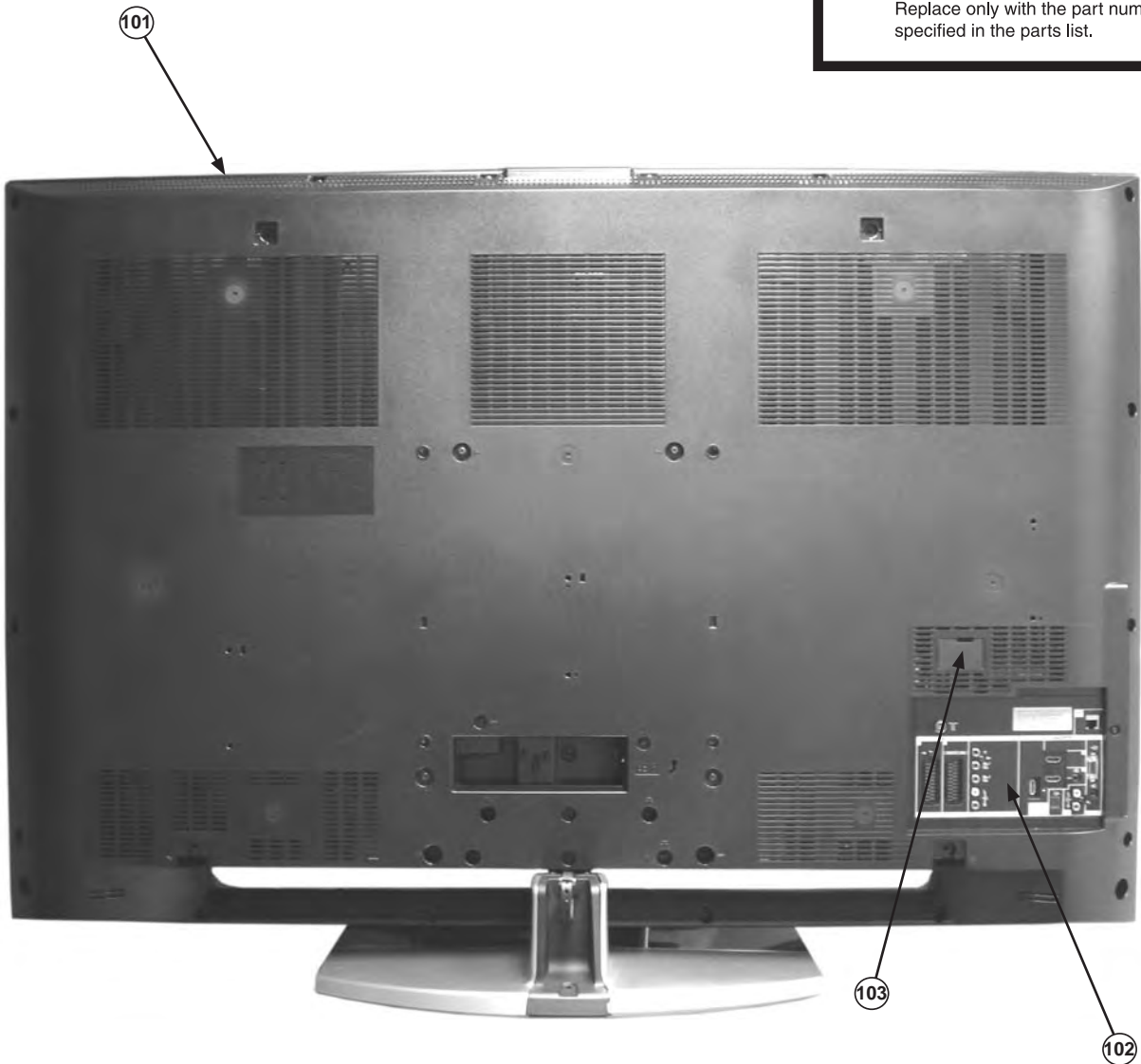


REF.NO.	PART.NO	DESCRIPTION	REMARK	REF.NO.	PART.NO	DESCRIPTION	REMARK
51	X-2319-211-1	BEZEL (40) ASSY	40 inches	53	X-2319-362-1	CLEAR PANEL (40EH) PRINTED	40 inches
	X-2319-212-1	BEZEL (46) ASSY	46 inches		X-2319-363-1	CLEAR PANEL (46EH) PRINTED	46 inches
	X-2319-213-1	BEZEL (52) ASSY	52 inches		X-2319-364-1	CLEAR PANEL (52EH) PRINTED	52 inches
52	1-480-680-11	ILLUMINATION MODULE					

### 5-3. REAR COVER & POWER SUPPLY CORDS

**Note :** Les composants identifiés par une trame et par une marque  $\Delta$  sont d'une importance critique pour la sécurité. Ne les remplacer que par des pièces du numéro spécifié.

**Note :** The components identified by shading and marked  $\Delta$  are critical for safety. Replace only with the part numbers specified in the parts list.



REF.NO.	PART.NO	DESCRIPTION	REMARK
101	3-293-589-01	REAR COVER (40)	40 inches
	3-293-584-01	REAR COVER (46)	46 inches
	3-293-622-01	REAR COVER (52)	52 inches
102	*4-114-194-01	LABEL, REAR TERMINAL	

REF.NO.	PART.NO	DESCRIPTION	REMARK
103	3-106-546-21	COVER,ECS	
104	$\Delta$ 1-835-200-11	POWER SUPPLY CORD (AEP)	
105	$\Delta$ 1-835-165-11	POWER SUPPLY CORD (UK)	

**NOTE :**

If ordering item 101 (Rear cover) please order item 102 (Label, rear terminal) as well.




# SECTION 6 ELECTRICAL PARTS LIST

## PARTS LISTING TABLE OF CONTENTS


	<u>Page</u>
BGE BOARD COMPLETE Parts List : .....	54
H3E BOARD COMPLETE Parts List : .....	73
H4 BOARD COMPLETE Parts List : .....	73
ACCESSORIES AND CONNECTORS : .....	74
REMOTE COMMANDER : .....	74

**Note:** To ensure safety and reliability it is Sony policy that power supply boards should not be repaired at component level in the field as a result... The D4, D5, G5 and IP5 boards are regarded as non service items for exchange only and are not indicated in the parts list of this service manual

**Note :** Items marked “\*” are not stocked since they are seldom required for routine service. Some delay should be anticipated when ordering these items.

Note : The components identified by mark  contain confidential information. Strictly follow the instructions when ever the components are repaired and/or replaced.



REF.NO.	PART.NO	DESCRIPTION	REMARK	REF.NO.	PART.NO	DESCRIPTION	REMARK
<b> * A-1557-327-A BGE Board, Complete</b>				C2215	1-100-916-11	CERAMIC CHIP 0.1UF	10% 16V
C1000	1-112-780-11	CERAMIC CHIP 0.47UF	10% 16V	C2216	1-114-332-11	CERAMIC CHIP 22UF	10% 6.3V
C1001	1-112-780-11	CERAMIC CHIP 0.47UF	10% 16V	C2217	1-100-905-11	CERAMIC CHIP 0.001UF	10% 50V
C1002	1-112-780-11	CERAMIC CHIP 0.47UF	10% 16V	C2218	1-100-916-11	CERAMIC CHIP 0.1UF	10% 16V
C1003	1-112-780-11	CERAMIC CHIP 0.47UF	10% 16V	C2219	1-112-781-11	CERAMIC CHIP 1UF	10% 10V
C1004	1-100-916-11	CERAMIC CHIP 0.1UF	10% 16V	C2220	1-100-916-11	CERAMIC CHIP 0.1UF	10% 16V
C1006	1-114-399-21	ELECT CHIP 47UF	20% 6.3V	C2223	1-135-366-11	ELECT CHIP 100UF	20% 16V
C1009	1-164-874-11	CERAMIC CHIP 100PF	5.00% 50V	C2225	1-135-366-11	ELECT CHIP 100UF	20% 16V
C1010	1-112-778-11	CERAMIC CHIP 0.022UF	10% 25V	C2226	1-164-852-11	CERAMIC CHIP 12PF	5.00% 50V
C1011	1-164-874-11	CERAMIC CHIP 100PF	5.00% 50V	C2227	1-164-874-11	CERAMIC CHIP 100PF	5.00% 50V
C1012	1-112-778-11	CERAMIC CHIP 0.022UF	10% 25V	C2228	1-135-366-11	ELECT CHIP 100UF	20% 16V
C1017	1-114-813-11	CERAMIC CHIP 1UF	10% 16V	C2229	1-164-852-11	CERAMIC CHIP 12PF	5.00% 50V
C1018	1-114-813-11	CERAMIC CHIP 1UF	10% 16V	C2230	1-135-366-11	ELECT CHIP 100UF	20% 16V
C1019	1-100-909-11	CERAMIC CHIP 10UF	10% 6.3V	C2231	1-112-776-11	CERAMIC CHIP 0.0047UF	10% 50V
C1020	1-100-916-11	CERAMIC CHIP 0.1UF	10% 16V	C2236	1-100-916-11	CERAMIC CHIP 0.1UF	10% 16V
C1021	1-100-765-21	ELECT CHIP 10UF	20% 16V	C2237	1-100-916-11	CERAMIC CHIP 0.1UF	10% 16V
C1022	1-100-765-21	ELECT CHIP 10UF	20% 16V	C2238	1-100-916-11	CERAMIC CHIP 0.1UF	10% 16V
C1025	1-112-778-11	CERAMIC CHIP 0.022UF	10% 25V	C2239	1-100-916-11	CERAMIC CHIP 0.1UF	10% 16V
C1026	1-112-778-11	CERAMIC CHIP 0.022UF	10% 25V	C2240	1-100-904-11	CERAMIC CHIP 330PF	10% 50V
C1027	1-164-874-11	CERAMIC CHIP 100PF	5.00% 50V	C2244	1-112-781-11	CERAMIC CHIP 1UF	10% 10V
C1028	1-164-874-11	CERAMIC CHIP 100PF	5.00% 50V	C2245	1-114-331-11	CERAMIC CHIP 4.7UF	10% 10V
C1029	1-112-781-11	CERAMIC CHIP 1UF	10% 10V	C2246	1-164-874-11	CERAMIC CHIP 100PF	5.00% 50V
C1030	1-112-781-11	CERAMIC CHIP 1UF	10% 10V	C2247	1-114-325-11	CERAMIC CHIP 0.1UF	10% 25V
C1031	1-114-813-11	CERAMIC CHIP 1UF	10% 16V	C2249	1-112-161-21	ELECT CHIP 1000UF	20% 6.3V
C1036	1-114-813-11	CERAMIC CHIP 1UF	10% 16V	C2250	1-114-326-11	CERAMIC CHIP 0.22UF	10% 25V
C1037	1-164-874-11	CERAMIC CHIP 100PF	5.00% 50V	C2251	1-100-916-11	CERAMIC CHIP 0.1UF	10% 16V
C1038	1-164-874-11	CERAMIC CHIP 100PF	5.00% 50V	C2254	1-114-407-21	ELECT CHIP 4.7UF	20% 50V
C1039	1-100-916-11	CERAMIC CHIP 0.1UF	10% 16V	C2255	1-112-780-11	CERAMIC CHIP 0.47UF	10% 16V
C1040	1-100-909-11	CERAMIC CHIP 10UF	10% 6.3V	C2256	1-114-326-11	CERAMIC CHIP 0.22UF	10% 25V
C1232	1-100-909-11	CERAMIC CHIP 10UF	10% 6.3V	C2257	1-114-817-11	CERAMIC CHIP 2.2UF	10% 50V
C1233	1-114-331-11	CERAMIC CHIP 4.7UF	10% 10V	C2258	1-114-326-11	CERAMIC CHIP 0.22UF	10% 25V
C1234	1-100-916-11	CERAMIC CHIP 0.1UF	10% 16V	C2259	1-114-868-11	CERAMIC CHIP 0.1UF	10% 50V
C1235	1-112-776-11	CERAMIC CHIP 0.0047UF	10% 50V	C2260	1-114-325-11	CERAMIC CHIP 0.1UF	10% 25V
C1236	1-100-909-11	CERAMIC CHIP 10UF	10% 6.3V	C2261	1-114-325-11	CERAMIC CHIP 0.1UF	10% 25V
C1237	1-112-064-11	CERAMIC CHIP 2.2UF	10% 10V	C2268	1-112-777-11	CERAMIC CHIP 0.01UF	10% 25V
C1238	1-100-916-11	CERAMIC CHIP 0.1UF	10% 16V	C2269	1-112-777-11	CERAMIC CHIP 0.01UF	10% 25V
C1239	1-114-331-11	CERAMIC CHIP 4.7UF	10% 10V	C2270	1-112-777-11	CERAMIC CHIP 0.01UF	10% 25V
C1240	1-114-331-11	CERAMIC CHIP 4.7UF	10% 10V	C2272	1-112-777-11	CERAMIC CHIP 0.01UF	10% 25V
C1241	1-100-909-11	CERAMIC CHIP 10UF	10% 6.3V	C2275	1-100-916-11	CERAMIC CHIP 0.1UF	10% 16V
C1242	1-100-916-11	CERAMIC CHIP 0.1UF	10% 16V	C3014	1-100-916-11	CERAMIC CHIP 0.1UF	10% 16V
C2200	1-100-916-11	CERAMIC CHIP 0.1UF	10% 16V	C3026	1-164-874-11	CERAMIC CHIP 100PF	5.00% 50V
C2201	1-100-905-11	CERAMIC CHIP 0.001UF	10% 50V	C3027	1-164-874-11	CERAMIC CHIP 100PF	5.00% 50V
C2202	1-112-001-81	CERAMIC CHIP 270PF	5% 50V	C3028	1-164-874-11	CERAMIC CHIP 100PF	5.00% 50V
C2205	1-164-874-11	CERAMIC CHIP 100PF	5.00% 50V	C3029	1-164-874-11	CERAMIC CHIP 100PF	5.00% 50V
C2206	1-100-916-11	CERAMIC CHIP 0.1UF	10% 16V	C3030	1-114-813-11	CERAMIC CHIP 1UF	10% 16V
C2208	1-114-326-11	CERAMIC CHIP 0.22UF	10% 25V	C3031	1-114-813-11	CERAMIC CHIP 1UF	10% 16V
C2210	1-114-332-11	CERAMIC CHIP 22UF	10% 6.3V	C3032	1-114-813-11	CERAMIC CHIP 1UF	10% 16V
C2211	1-100-916-11	CERAMIC CHIP 0.1UF	10% 16V	C3033	1-114-813-11	CERAMIC CHIP 1UF	10% 16V
C2212	1-100-916-11	CERAMIC CHIP 0.1UF	10% 16V	C3046	1-164-874-11	CERAMIC CHIP 100PF	5.00% 50V
				C3047	1-164-874-11	CERAMIC CHIP 100PF	5.00% 50V



REF.NO.	PART.NO	DESCRIPTION	REMARK	REF.NO.	PART.NO	DESCRIPTION	REMARK
C3048	1-164-874-11	CERAMIC CHIP 100PF	5.00% 50V	C3240	1-100-916-11	CERAMIC CHIP 0.1UF	10% 16V
C3049	1-164-874-11	CERAMIC CHIP 100PF	5.00% 50V	C3241	1-112-777-11	CERAMIC CHIP 0.01UF	10% 25V
C3060	1-114-813-11	CERAMIC CHIP 1UF	10% 16V	C3242	1-112-777-11	CERAMIC CHIP 0.01UF	10% 25V
C3061	1-114-813-11	CERAMIC CHIP 1UF	10% 16V	C3243	1-100-916-11	CERAMIC CHIP 0.1UF	10% 16V
C3062	1-114-813-11	CERAMIC CHIP 1UF	10% 16V	C3245	1-164-850-11	CERAMIC CHIP 10PF	0.50PF 50V
C3063	1-114-813-11	CERAMIC CHIP 1UF	10% 16V	C3246	1-164-850-11	CERAMIC CHIP 10PF	0.50PF 50V
C3072	1-164-874-11	CERAMIC CHIP 100PF	5.00% 50V	C3250	1-100-916-11	CERAMIC CHIP 0.1UF	10% 16V
C3073	1-164-874-11	CERAMIC CHIP 100PF	5.00% 50V	C3251	1-100-916-11	CERAMIC CHIP 0.1UF	10% 16V
C3075	1-164-874-11	CERAMIC CHIP 100PF	5.00% 50V	C3406	1-100-909-11	CERAMIC CHIP 10UF	10% 6.3V
C3076	1-164-874-11	CERAMIC CHIP 100PF	5.00% 50V	C3407	1-100-909-11	CERAMIC CHIP 10UF	10% 6.3V
C3077	1-100-916-11	CERAMIC CHIP 0.1UF	10% 16V	C3417	1-112-781-11	CERAMIC CHIP 1UF	10% 10V
C3078	1-114-813-11	CERAMIC CHIP 1UF	10% 16V	C3418	1-112-781-11	CERAMIC CHIP 1UF	10% 10V
C3079	1-114-813-11	CERAMIC CHIP 1UF	10% 16V	C3419	1-112-781-11	CERAMIC CHIP 1UF	10% 10V
C3080	1-100-916-11	CERAMIC CHIP 0.1UF	10% 16V	C3420	1-112-781-11	CERAMIC CHIP 1UF	10% 10V
C3081	1-100-905-11	CERAMIC CHIP 0.001UF	10% 50V	C3426	1-114-326-11	CERAMIC CHIP 0.22UF	10% 25V
C3082	1-114-331-11	CERAMIC CHIP 4.7UF	10% 10V	C3427	1-114-407-21	ELECT CHIP 4.7UF	20% 50V
C3083	1-100-916-11	CERAMIC CHIP 0.1UF	10% 16V	C3428	1-112-777-11	CERAMIC CHIP 0.01UF	10% 25V
C3084	1-164-874-11	CERAMIC CHIP 100PF	5.00% 50V	C3429	1-114-331-11	CERAMIC CHIP 4.7UF	10% 10V
C3202	1-100-916-11	CERAMIC CHIP 0.1UF	10% 16V	C3430	1-114-326-11	CERAMIC CHIP 0.22UF	10% 25V
C3203	1-100-916-11	CERAMIC CHIP 0.1UF	10% 16V	C3431	1-114-326-11	CERAMIC CHIP 0.22UF	10% 25V
C3204	1-114-332-11	CERAMIC CHIP 22UF	10% 6.3V	C3442	1-114-326-11	CERAMIC CHIP 0.22UF	10% 25V
C3205	1-100-916-11	CERAMIC CHIP 0.1UF	10% 16V	C3443	1-114-326-11	CERAMIC CHIP 0.22UF	10% 25V
C3206	1-114-331-11	CERAMIC CHIP 4.7UF	10% 10V	C3446	1-100-905-11	CERAMIC CHIP 0.001UF	10% 50V
C3207	1-100-916-11	CERAMIC CHIP 0.1UF	10% 16V	C3447	1-114-193-11	ELECT CHIP 470UF	20% 25V
C3208	1-100-916-11	CERAMIC CHIP 0.1UF	10% 16V	C3448	1-114-193-11	ELECT CHIP 470UF	20% 25V
C3209	1-114-331-11	CERAMIC CHIP 4.7UF	10% 10V	C3449	1-114-325-11	CERAMIC CHIP 0.1UF	10% 25V
C3210	1-114-354-11	CAP, CERAMIC 0.1MF X7R (1410)		C3450	1-100-912-11	CERAMIC CHIP 1UF	10% 25V
C3211	1-114-354-11	CAP, CERAMIC 0.1MF X7R (1410)		C3451	1-100-912-11	CERAMIC CHIP 1UF	10% 25V
C3212	1-114-354-11	CAP, CERAMIC 0.1MF X7R (1410)		C3452	1-114-193-11	ELECT CHIP 470UF	20% 25V
C3213	1-114-332-11	CERAMIC CHIP 22UF	10% 6.3V	C3453	1-114-325-11	CERAMIC CHIP 0.1UF	10% 25V
C3214	1-114-354-11	CAP, CERAMIC 0.1MF X7R (1410)		C3458	1-114-326-11	CERAMIC CHIP 0.22UF	10% 25V
C3215	1-100-916-11	CERAMIC CHIP 0.1UF	10% 16V	C3459	1-114-326-11	CERAMIC CHIP 0.22UF	10% 25V
C3216	1-114-354-11	CAP, CERAMIC 0.1MF X7R (1410)		C3464	1-114-326-11	CERAMIC CHIP 0.22UF	10% 25V
C3217	1-114-354-11	CAP, CERAMIC 0.1MF X7R (1410)		C3465	1-114-326-11	CERAMIC CHIP 0.22UF	10% 25V
C3218	1-114-354-11	CAP, CERAMIC 0.1MF X7R (1410)		C3466	1-114-326-11	CERAMIC CHIP 0.22UF	10% 25V
C3220	1-114-354-11	CAP, CERAMIC 0.1MF X7R (1410)		C3467	1-114-326-11	CERAMIC CHIP 0.22UF	10% 25V
C3221	1-100-916-11	CERAMIC CHIP 0.1UF	10% 16V	C3469	1-100-912-11	CERAMIC CHIP 1UF	10% 25V
C3222	1-100-916-11	CERAMIC CHIP 0.1UF	10% 16V	C3470	1-100-912-11	CERAMIC CHIP 1UF	10% 25V
C3223	1-114-354-11	CAP, CERAMIC 0.1MF X7R (1410)		C3480	1-112-781-11	CERAMIC CHIP 1UF	10% 10V
C3225	1-114-354-11	CAP, CERAMIC 0.1MF X7R (1410)		C3482	1-100-767-21	ELECT CHIP 220UF	20% 16V
C3226	1-100-916-11	CERAMIC CHIP 0.1UF	10% 16V	C3484	1-112-065-11	CERAMIC CHIP 4.7UF	10% 16V
C3227	1-112-781-11	CERAMIC CHIP 1UF	10% 10V	C4003	1-135-366-11	ELECT CHIP 100UF	20% 16V
C3229	1-112-781-11	CERAMIC CHIP 1UF	10% 10V	C4006	1-135-366-11	ELECT CHIP 100UF	20% 16V
C3230	1-114-354-11	CAP, CERAMIC 0.1MF X7R (1410)		C4007	1-100-916-11	CERAMIC CHIP 0.1UF	10% 16V
C3231	1-114-331-11	CERAMIC CHIP 4.7UF	10% 10V	C4009	1-100-916-11	CERAMIC CHIP 0.1UF	10% 16V
C3233	1-100-916-11	CERAMIC CHIP 0.1UF	10% 16V	C4012	1-164-874-11	CERAMIC CHIP 100PF	5.00% 50V
C3234	1-114-331-11	CERAMIC CHIP 4.7UF	10% 10V	C4013	1-100-916-11	CERAMIC CHIP 0.1UF	10% 16V
C3235	1-100-916-11	CERAMIC CHIP 0.1UF	10% 16V	C4014	1-100-916-11	CERAMIC CHIP 0.1UF	10% 16V
C3238	1-114-331-11	CERAMIC CHIP 4.7UF	10% 10V	C4016	1-112-777-11	CERAMIC CHIP 0.01UF	10% 25V
C3239	1-100-916-11	CERAMIC CHIP 0.1UF	10% 16V	C4017	1-100-916-11	CERAMIC CHIP 0.1UF	10% 16V







REF.NO.	PART.NO	DESCRIPTION	REMARK	REF.NO.	PART.NO	DESCRIPTION	REMARK
C5018	1-112-774-11	CERAMIC CHIP 470PF	10% 50V	C5089	1-114-172-91	CERAMIC CHIP 2.2UF	20% 4V
C5019	1-100-909-11	CERAMIC CHIP 10UF	10% 6.3V	C5091	1-100-916-11	CERAMIC CHIP 0.1UF	10% 16V
C5020	1-100-909-11	CERAMIC CHIP 10UF	10% 6.3V	C5092	1-100-916-11	CERAMIC CHIP 0.1UF	10% 16V
C5021	1-100-916-11	CERAMIC CHIP 0.1UF	10% 16V	C5093	1-100-916-11	CERAMIC CHIP 0.1UF	10% 16V
C5023	1-100-909-11	CERAMIC CHIP 10UF	10% 6.3V	C5094	1-100-916-11	CERAMIC CHIP 0.1UF	10% 16V
C5024	1-100-916-11	CERAMIC CHIP 0.1UF	10% 16V	C5095	1-100-916-11	CERAMIC CHIP 0.1UF	10% 16V
C5026	1-100-916-11	CERAMIC CHIP 0.1UF	10% 16V	C5096	1-100-916-11	CERAMIC CHIP 0.1UF	10% 16V
C5027	1-112-064-11	CERAMIC CHIP 2.2UF	10% 10V	C5097	1-100-916-11	CERAMIC CHIP 0.1UF	10% 16V
C5028	1-112-064-11	CERAMIC CHIP 2.2UF	10% 10V	C5098	1-100-916-11	CERAMIC CHIP 0.1UF	10% 16V
C5029	1-100-916-11	CERAMIC CHIP 0.1UF	10% 16V	C5099	1-100-916-11	CERAMIC CHIP 0.1UF	10% 16V
C5030	1-112-064-11	CERAMIC CHIP 2.2UF	10% 10V	C5100	1-100-916-11	CERAMIC CHIP 0.1UF	10% 16V
C5031	1-100-909-11	CERAMIC CHIP 10UF	10% 6.3V	C5101	1-100-916-11	CERAMIC CHIP 0.1UF	10% 16V
C5032	1-100-916-11	CERAMIC CHIP 0.1UF	10% 16V	C5102	1-100-916-11	CERAMIC CHIP 0.1UF	10% 16V
C5033	1-100-916-11	CERAMIC CHIP 0.1UF	10% 16V	C5103	1-112-064-11	CERAMIC CHIP 2.2UF	10% 10V
C5034	1-100-909-11	CERAMIC CHIP 10UF	10% 6.3V	C5104	1-100-916-11	CERAMIC CHIP 0.1UF	10% 16V
C5035	1-100-916-11	CERAMIC CHIP 0.1UF	10% 16V	C5500	1-100-909-11	CERAMIC CHIP 10UF	10% 6.3V
C5036	1-100-916-11	CERAMIC CHIP 0.1UF	10% 16V	C5501	1-100-916-11	CERAMIC CHIP 0.1UF	10% 16V
C5038	1-100-916-11	CERAMIC CHIP 0.1UF	10% 16V	C5502	1-112-781-11	CERAMIC CHIP 1UF	10% 10V
C5039	1-100-916-11	CERAMIC CHIP 0.1UF	10% 16V	C5503	1-100-916-11	CERAMIC CHIP 0.1UF	10% 16V
C5040	1-100-916-11	CERAMIC CHIP 0.1UF	10% 16V	C5504	1-112-778-11	CERAMIC CHIP 0.022UF	10% 25V
C5041	1-100-909-11	CERAMIC CHIP 10UF	10% 6.3V	C5505	1-164-842-11	CERAMIC CHIP 2PF	0.25PF 50V
C5043	1-100-909-11	CERAMIC CHIP 10UF	10% 6.3V	C5506	1-164-843-11	CERAMIC CHIP 3PF	0.25PF 50V
C5044	1-100-909-11	CERAMIC CHIP 10UF	10% 6.3V	C5507	1-100-916-11	CERAMIC CHIP 0.1UF	10% 16V
C5045	1-100-909-11	CERAMIC CHIP 10UF	10% 6.3V	C5508	1-114-399-21	ELECT CHIP 47UF	20% 6.3V
C5046	1-100-916-11	CERAMIC CHIP 0.1UF	10% 16V	C5509	1-100-916-11	CERAMIC CHIP 0.1UF	10% 16V
C5047	1-100-916-11	CERAMIC CHIP 0.1UF	10% 16V	C5510	1-100-909-11	CERAMIC CHIP 10UF	10% 6.3V
C5049	1-100-916-11	CERAMIC CHIP 0.1UF	10% 16V	C5511	1-104-905-11	DOUBLE LAYER 0.22F	5.5V
C5050	1-100-909-11	CERAMIC CHIP 10UF	10% 6.3V	C5512	1-164-862-11	CERAMIC CHIP 33PF	5.00% 50V
C5051	1-100-916-11	CERAMIC CHIP 0.1UF	10% 16V	C5513	1-164-862-11	CERAMIC CHIP 33PF	5.00% 50V
C5052	1-100-916-11	CERAMIC CHIP 0.1UF	10% 16V	C5514	1-100-916-11	CERAMIC CHIP 0.1UF	10% 16V
C5058	1-100-916-11	CERAMIC CHIP 0.1UF	10% 16V	C5515	1-100-916-11	CERAMIC CHIP 0.1UF	10% 16V
C5060	1-100-916-11	CERAMIC CHIP 0.1UF	10% 16V	C5516	1-100-916-11	CERAMIC CHIP 0.1UF	10% 16V
C5062	1-100-916-11	CERAMIC CHIP 0.1UF	10% 16V	C5517	1-100-916-11	CERAMIC CHIP 0.1UF	10% 16V
C5064	1-112-064-11	CERAMIC CHIP 2.2UF	10% 10V	C5519	1-100-916-11	CERAMIC CHIP 0.1UF	10% 16V
C5065	1-100-916-11	CERAMIC CHIP 0.1UF	10% 16V	C5520	1-164-874-11	CERAMIC CHIP 100PF	5.00% 50V
C5067	1-112-064-11	CERAMIC CHIP 2.2UF	10% 10V	C5523	1-100-916-11	CERAMIC CHIP 0.1UF	10% 16V
C5068	1-100-909-11	CERAMIC CHIP 10UF	10% 6.3V	C5527	1-164-874-11	CERAMIC CHIP 100PF	5.00% 50V
C5069	1-100-916-11	CERAMIC CHIP 0.1UF	10% 16V	C5528	1-100-916-11	CERAMIC CHIP 0.1UF	10% 16V
C5070	1-114-172-91	CERAMIC CHIP 2.2UF	20% 4V	C5532	1-100-909-11	CERAMIC CHIP 10UF	10% 6.3V
C5073	1-114-172-91	CERAMIC CHIP 2.2UF	20% 4V	C5540	1-100-916-11	CERAMIC CHIP 0.1UF	10% 16V
C5074	1-112-064-11	CERAMIC CHIP 2.2UF	10% 10V	C5543	1-100-916-11	CERAMIC CHIP 0.1UF	10% 16V
C5075	1-100-909-11	CERAMIC CHIP 10UF	10% 6.3V	C5544	1-164-874-11	CERAMIC CHIP 100PF	5.00% 50V
C5076	1-100-916-11	CERAMIC CHIP 0.1UF	10% 16V	C5546	1-100-916-11	CERAMIC CHIP 0.1UF	10% 16V
C5078	1-100-909-11	CERAMIC CHIP 10UF	10% 6.3V	C6400	1-100-916-11	CERAMIC CHIP 0.1UF	10% 16V
C5079	1-112-064-11	CERAMIC CHIP 2.2UF	10% 10V	C6401	1-114-813-11	CERAMIC CHIP 1UF	10% 16V
C5082	1-114-172-91	CERAMIC CHIP 2.2UF	20% 4V	C6402	1-112-777-11	CERAMIC CHIP 0.01UF	10% 25V
C5084	1-100-909-11	CERAMIC CHIP 10UF	10% 6.3V	C6403	1-112-777-11	CERAMIC CHIP 0.01UF	10% 25V
C5086	1-114-172-91	CERAMIC CHIP 2.2UF	20% 4V	C6404	1-100-909-11	CERAMIC CHIP 10UF	10% 6.3V
C5087	1-100-916-11	CERAMIC CHIP 0.1UF	10% 16V	C6405	1-100-909-11	CERAMIC CHIP 10UF	10% 6.3V
C5088	1-100-916-11	CERAMIC CHIP 0.1UF	10% 16V	C6406	1-114-353-11	CAP, CERAMIC 0.01MF X7R (1410)	



REF.NO.	PART.NO	DESCRIPTION	REMARK	REF.NO.	PART.NO	DESCRIPTION	REMARK
C6407	1-112-777-11	CERAMIC CHIP 0.01UF	10% 25V	C6483	1-112-777-11	CERAMIC CHIP 0.01UF	10% 25V
C6408	1-100-916-11	CERAMIC CHIP 0.1UF	10% 16V	C6488	1-135-366-11	ELECT CHIP 100UF	20% 16V
C6409	1-114-813-11	CERAMIC CHIP 1UF	10% 16V	C6489	1-135-366-11	ELECT CHIP 100UF	20% 16V
C6410	1-135-366-11	ELECT CHIP 100UF	20% 16V	C6494	1-100-963-21	ELECT CHIP 330UF	20% 4V
C6411	1-112-777-11	CERAMIC CHIP 0.01UF	10% 25V	C6499	1-100-905-11	CERAMIC CHIP 0.001UF	10% 50V
C6412	1-112-777-11	CERAMIC CHIP 0.01UF	10% 25V	C6502	1-112-777-11	CERAMIC CHIP 0.01UF	10% 25V
C6413	1-100-905-11	CERAMIC CHIP 0.001UF	10% 50V	C6503	1-112-065-11	CERAMIC CHIP 4.7UF	10% 16V
C6414	1-135-366-11	ELECT CHIP 100UF	20% 16V	C6505	1-114-325-11	CERAMIC CHIP 0.1UF	10% 25V
C6415	1-100-911-11	CERAMIC CHIP 4.7UF	10% 25V	C6514	1-114-331-11	CERAMIC CHIP 4.7UF	10% 10V
C6416	1-100-911-11	CERAMIC CHIP 4.7UF	10% 25V	C6516	1-112-064-11	CERAMIC CHIP 2.2UF	10% 10V
C6417	1-112-777-11	CERAMIC CHIP 0.01UF	10% 25V	C6517	1-112-064-11	CERAMIC CHIP 2.2UF	10% 10V
C6418	1-114-802-11	CERAMIC CHIP 0.0033UF	10% 50V	C6519	1-112-774-11	CERAMIC CHIP 470PF	10% 50V
C6421	1-100-911-11	CERAMIC CHIP 4.7UF	10% 25V	C6522	1-100-916-11	CERAMIC CHIP 0.1UF	10% 16V
C6422	1-100-912-11	CERAMIC CHIP 1UF	10% 25V	C6525	1-114-325-11	CERAMIC CHIP 0.1UF	10% 25V
C6423	1-112-777-11	CERAMIC CHIP 0.01UF	10% 25V	C6530	1-112-777-11	CERAMIC CHIP 0.01UF	10% 25V
C6424	1-100-911-11	CERAMIC CHIP 4.7UF	10% 25V	C6531	1-112-065-11	CERAMIC CHIP 4.7UF	10% 16V
C6426	1-112-777-11	CERAMIC CHIP 0.01UF	10% 25V	C6532	1-100-916-11	CERAMIC CHIP 0.1UF	10% 16V
C6427	1-100-911-11	CERAMIC CHIP 4.7UF	10% 25V	C6535	1-100-963-21	ELECT CHIP 330UF	20% 4V
C6428	1-114-807-11	CERAMIC CHIP 0.015UF	10% 25V	C6536	1-100-912-11	CERAMIC CHIP 1UF	10% 25V
C6429	1-100-912-11	CERAMIC CHIP 1UF	10% 25V	C6537	1-114-415-21	ELECT CHIP 100UF	20% 6.3V
C6430	1-112-780-11	CERAMIC CHIP 0.47UF	10% 16V	C6543	1-100-916-11	CERAMIC CHIP 0.1UF	10% 16V
C6431	1-100-911-11	CERAMIC CHIP 4.7UF	10% 25V	C6545	1-100-916-11	CERAMIC CHIP 0.1UF	10% 16V
C6432	1-114-326-11	CERAMIC CHIP 0.22UF	10% 25V	C6570	1-112-781-11	CERAMIC CHIP 1UF	10% 10V
C6434	1-100-912-11	CERAMIC CHIP 1UF	10% 25V	C6571	1-100-916-11	CERAMIC CHIP 0.1UF	10% 16V
C6435	1-135-366-11	ELECT CHIP 100UF	20% 16V	C6572	1-112-777-11	CERAMIC CHIP 0.01UF	10% 25V
C6436	1-100-909-11	CERAMIC CHIP 10UF	10% 6.3V	C6573	1-100-916-11	CERAMIC CHIP 0.1UF	10% 16V
C6437	1-100-916-11	CERAMIC CHIP 0.1UF	10% 16V	C6574	1-112-781-11	CERAMIC CHIP 1UF	10% 10V
C6438	1-114-807-11	CERAMIC CHIP 0.015UF	10% 25V	C6575	1-114-808-11	CERAMIC CHIP 0.033UF	10% 16V
C6439	1-114-415-21	ELECT CHIP 100UF	20% 6.3V	C6576	1-164-882-11	CERAMIC CHIP 220PF	5.00% 16V
C6440	1-112-777-11	CERAMIC CHIP 0.01UF	10% 25V	C6577	1-114-802-11	CERAMIC CHIP 0.0033UF	10% 50V
C6441	1-100-909-11	CERAMIC CHIP 10UF	10% 6.3V	C6578	1-114-813-11	CERAMIC CHIP 1UF	10% 16V
C6442	1-114-415-21	ELECT CHIP 100UF	20% 6.3V	C6579	1-112-786-11	ELECT CHIP 330UF	20% 4V
C6445	1-100-909-11	CERAMIC CHIP 10UF	10% 6.3V	C6580	1-100-916-11	CERAMIC CHIP 0.1UF	10% 16V
C6447	1-114-808-11	CERAMIC CHIP 0.033UF	10% 16V	C6581	1-100-916-11	CERAMIC CHIP 0.1UF	10% 16V
C6448	1-112-774-11	CERAMIC CHIP 470PF	10% 50V	C6582	1-100-911-11	CERAMIC CHIP 4.7UF	10% 25V
C6449	1-114-807-11	CERAMIC CHIP 0.015UF	10% 25V	C6584	1-112-777-11	CERAMIC CHIP 0.01UF	10% 25V
C6450	1-112-775-11	CERAMIC CHIP 0.0022UF	10% 50V	C6585	1-114-807-11	CERAMIC CHIP 0.015UF	10% 25V
C6451	1-112-781-11	CERAMIC CHIP 1UF	10% 10V	C6586	1-114-320-11	CERAMIC CHIP 0.22UF	10% 6.3V
C6452	1-112-774-11	CERAMIC CHIP 470PF	10% 50V	C6587	1-100-905-11	CERAMIC CHIP 0.001UF	10% 50V
C6454	1-100-909-11	CERAMIC CHIP 10UF	10% 6.3V	C6588	1-114-410-21	CERAMIC CHIP 680PF	2% 50V
C6455	1-218-949-11	METAL CHIP 470 5%	1/16W	C6591	1-114-410-21	CERAMIC CHIP 680PF	2% 50V
C6456	1-112-777-11	CERAMIC CHIP 0.01UF	10% 25V	C6593	1-114-410-21	CERAMIC CHIP 680PF	2% 50V
C6457	1-100-916-11	CERAMIC CHIP 0.1UF	10% 16V	C6594	1-114-410-21	CERAMIC CHIP 680PF	2% 50V
C6460	1-114-415-21	ELECT CHIP 100UF	20% 6.3V	C6596	1-114-410-21	CERAMIC CHIP 680PF	2% 50V
C6470	1-114-331-11	CERAMIC CHIP 4.7UF	10% 10V	C6597	1-112-781-11	CERAMIC CHIP 1UF	10% 10V
C6471	1-112-774-11	CERAMIC CHIP 470PF	10% 50V	C6598	1-100-905-11	CERAMIC CHIP 0.001UF	10% 50V
C6472	1-112-777-11	CERAMIC CHIP 0.01UF	10% 25V	C6599	1-100-916-11	CERAMIC CHIP 0.1UF	10% 16V
C6474	1-112-777-11	CERAMIC CHIP 0.01UF	10% 25V	C6608	1-114-410-21	CERAMIC CHIP 680PF	2% 50V
C6476	1-112-774-11	CERAMIC CHIP 470PF	10% 50V	C6613	1-100-905-11	CERAMIC CHIP 0.001UF	10% 50V
C6479	1-100-916-11	CERAMIC CHIP 0.1UF	10% 16V	C6614	1-100-916-11	CERAMIC CHIP 0.1UF	10% 16V



REF.NO.	PART.NO	DESCRIPTION	REMARK	REF.NO.	PART.NO	DESCRIPTION	REMARK
C6615	1-100-916-11	CERAMIC CHIP 0.1UF	10% 16V	C7105	1-164-849-11	CERAMIC CHIP 9PF	0.50PF 50V
C6616	1-100-916-11	CERAMIC CHIP 0.1UF	10% 16V	C7106	1-164-856-81	CERAMIC CHIP 18PF	5.00% 50V
C6617	1-100-916-11	CERAMIC CHIP 0.1UF	10% 16V	C7107	1-112-777-11	CERAMIC CHIP 0.01UF	10% 25V
C6618	1-100-916-11	CERAMIC CHIP 0.1UF	10% 16V	C7108	1-112-777-11	CERAMIC CHIP 0.01UF	10% 25V
C6619	1-100-916-11	CERAMIC CHIP 0.1UF	10% 16V	C7109	1-100-905-11	CERAMIC CHIP 0.001UF	10% 50V
C6620	1-100-916-11	CERAMIC CHIP 0.1UF	10% 16V	C7110	1-164-854-11	CERAMIC CHIP 15PF	5.00% 50V
C7000	1-114-331-11	CERAMIC CHIP 4.7UF	10% 10V	C7111	1-114-296-11	ELECT CHIP 820UF	20% 6.3V
C7001	1-114-331-11	CERAMIC CHIP 4.7UF	10% 10V	C7112	1-100-916-11	CERAMIC CHIP 0.1UF	10% 16V
C7002	1-112-777-11	CERAMIC CHIP 0.01UF	10% 25V	C7113	1-100-767-21	ELECT CHIP 220UF	20% 16V
C7003	1-112-777-11	CERAMIC CHIP 0.01UF	10% 25V	C7114	1-100-916-11	CERAMIC CHIP 0.1UF	10% 16V
C7004	1-112-777-11	CERAMIC CHIP 0.01UF	10% 25V	C7115	1-100-905-11	CERAMIC CHIP 0.001UF	10% 50V
C7005	1-112-777-11	CERAMIC CHIP 0.01UF	10% 25V	C7200	1-100-909-11	CERAMIC CHIP 10UF	10% 6.3V
C7006	1-112-777-11	CERAMIC CHIP 0.01UF	10% 25V	C7201	1-100-909-11	CERAMIC CHIP 10UF	10% 6.3V
C7007	1-112-777-11	CERAMIC CHIP 0.01UF	10% 25V	C7202	1-112-777-11	CERAMIC CHIP 0.01UF	10% 25V
C7008	1-112-777-11	CERAMIC CHIP 0.01UF	10% 25V	C7203	1-112-777-11	CERAMIC CHIP 0.01UF	10% 25V
C7009	1-112-777-11	CERAMIC CHIP 0.01UF	10% 25V	C7204	1-112-777-11	CERAMIC CHIP 0.01UF	10% 25V
C7010	1-112-777-11	CERAMIC CHIP 0.01UF	10% 25V	C7205	1-112-777-11	CERAMIC CHIP 0.01UF	10% 25V
C7011	1-112-777-11	CERAMIC CHIP 0.01UF	10% 25V	C7206	1-112-777-11	CERAMIC CHIP 0.01UF	10% 25V
C7013	1-112-777-11	CERAMIC CHIP 0.01UF	10% 25V	C7207	1-112-777-11	CERAMIC CHIP 0.01UF	10% 25V
C7014	1-112-777-11	CERAMIC CHIP 0.01UF	10% 25V	C7208	1-100-916-11	CERAMIC CHIP 0.1UF	10% 16V
C7015	1-112-777-11	CERAMIC CHIP 0.01UF	10% 25V	C7210	1-112-777-11	CERAMIC CHIP 0.01UF	10% 25V
C7017	1-112-777-11	CERAMIC CHIP 0.01UF	10% 25V	C7211	1-112-777-11	CERAMIC CHIP 0.01UF	10% 25V
C7018	1-112-777-11	CERAMIC CHIP 0.01UF	10% 25V	C7212	1-112-777-11	CERAMIC CHIP 0.01UF	10% 25V
C7019	1-112-777-11	CERAMIC CHIP 0.01UF	10% 25V	C7213	1-112-777-11	CERAMIC CHIP 0.01UF	10% 25V
C7020	1-112-777-11	CERAMIC CHIP 0.01UF	10% 25V	C7214	1-112-777-11	CERAMIC CHIP 0.01UF	10% 25V
C7021	1-112-777-11	CERAMIC CHIP 0.01UF	10% 25V	C7215	1-100-916-11	CERAMIC CHIP 0.1UF	10% 16V
C7022	1-112-777-11	CERAMIC CHIP 0.01UF	10% 25V	C7216	1-112-777-11	CERAMIC CHIP 0.01UF	10% 25V
C7023	1-112-777-11	CERAMIC CHIP 0.01UF	10% 25V	C7217	1-112-777-11	CERAMIC CHIP 0.01UF	10% 25V
C7024	1-112-777-11	CERAMIC CHIP 0.01UF	10% 25V	C7218	1-100-916-11	CERAMIC CHIP 0.1UF	10% 16V
C7026	1-112-777-11	CERAMIC CHIP 0.01UF	10% 25V	C7219	1-100-916-11	CERAMIC CHIP 0.1UF	10% 16V
C7027	1-112-777-11	CERAMIC CHIP 0.01UF	10% 25V	C7220	1-100-916-11	CERAMIC CHIP 0.1UF	10% 16V
C7028	1-112-777-11	CERAMIC CHIP 0.01UF	10% 25V	C7221	1-100-916-11	CERAMIC CHIP 0.1UF	10% 16V
C7029	1-112-777-11	CERAMIC CHIP 0.01UF	10% 25V	C7222	1-100-916-11	CERAMIC CHIP 0.1UF	10% 16V
C7030	1-112-777-11	CERAMIC CHIP 0.01UF	10% 25V	C7223	1-100-916-11	CERAMIC CHIP 0.1UF	10% 16V
C7034	1-112-777-11	CERAMIC CHIP 0.01UF	10% 25V	C7224	1-100-916-11	CERAMIC CHIP 0.1UF	10% 16V
C7035	1-112-777-11	CERAMIC CHIP 0.01UF	10% 25V	C7225	1-100-916-11	CERAMIC CHIP 0.1UF	10% 16V
C7036	1-112-777-11	CERAMIC CHIP 0.01UF	10% 25V	C7226	1-100-916-11	CERAMIC CHIP 0.1UF	10% 16V
C7037	1-112-777-11	CERAMIC CHIP 0.01UF	10% 25V	C7227	1-100-916-11	CERAMIC CHIP 0.1UF	10% 16V
C7038	1-112-777-11	CERAMIC CHIP 0.01UF	10% 25V	C7228	1-100-916-11	CERAMIC CHIP 0.1UF	10% 16V
C7039	1-112-777-11	CERAMIC CHIP 0.01UF	10% 25V	C7229	1-100-916-11	CERAMIC CHIP 0.1UF	10% 16V
C7040	1-112-777-11	CERAMIC CHIP 0.01UF	10% 25V	C7230	1-100-916-11	CERAMIC CHIP 0.1UF	10% 16V
C7041	1-112-777-11	CERAMIC CHIP 0.01UF	10% 25V	C7231	1-100-916-11	CERAMIC CHIP 0.1UF	10% 16V
C7043	1-112-777-11	CERAMIC CHIP 0.01UF	10% 25V	C7232	1-100-909-11	CERAMIC CHIP 10UF	10% 6.3V
C7044	1-100-909-11	CERAMIC CHIP 10UF	10% 6.3V	C7233	1-100-916-11	CERAMIC CHIP 0.1UF	10% 16V
C7045	1-100-909-11	CERAMIC CHIP 10UF	10% 6.3V	C7234	1-100-916-11	CERAMIC CHIP 0.1UF	10% 16V
C7100	1-100-905-11	CERAMIC CHIP 0.001UF	10% 50V	C7235	1-100-916-11	CERAMIC CHIP 0.1UF	10% 16V
C7101	1-100-916-11	CERAMIC CHIP 0.1UF	10% 16V	C7236	1-100-916-11	CERAMIC CHIP 0.1UF	10% 16V
C7102	1-112-780-11	CERAMIC CHIP 0.47UF	10% 16V	C7237	1-100-916-11	CERAMIC CHIP 0.1UF	10% 16V
C7103	1-100-916-11	CERAMIC CHIP 0.1UF	10% 16V	C7238	1-100-916-11	CERAMIC CHIP 0.1UF	10% 16V
C7104	1-164-849-11	CERAMIC CHIP 9PF	0.50PF 50V	C7239	1-100-916-11	CERAMIC CHIP 0.1UF	10% 16V







REF.NO.	PART.NO	DESCRIPTION	REMARK	REF.NO.	PART.NO	DESCRIPTION	REMARK
CN5503	1-779-936-51	CONNECTOR, FFC/FPC 18P		D5503	6-501-818-01	DIODE MA2J1130GLS0	
CN5505	1-820-235-11	HEADER ASSEMBLY 30P		D5504	8-719-060-48	DIODE RB751V-40TE-17	
CN6401	1-819-797-11	HEADER ASSEMBLY FOR PWB 13P		D5505	6-501-817-01	DIODE MA2J1110GLS0	
CN7100	1-817-109-11	CONNECTOR, USB (A)		D5506	6-501-817-01	DIODE MA2J1110GLS0	
CN7501	1-822-033-11	MEMORY STICK CONNECTOR		D5507	6-502-318-01	DI MA4J1130GLS0	
CN7600	1-821-868-11	ETHERNET CONNECTOR (8P)		D5508	6-502-318-01	DI MA4J1130GLS0	
CN7700	1-793-769-22	CONNECTOR, CARD (PCMCIA CARD)		D5510	6-502-172-01	DI UMZ5.6KTL	
CN8000	1-819-784-21	PIN, CONNECTOR 50P		D5520	6-501-614-01	DIODE PZU5.6B2	
		< DIODE >		D5521	6-502-318-01	DI MA4J1130GLS0	
				D5522	6-502-318-01	DI MA4J1130GLS0	
D1000	8-719-058-24	DIODE RB501V-40TE-17		D5523	8-719-058-24	DIODE RB501V-40TE-17	
D1001	6-502-177-01	DI UMZ9.1KTL		D5524	8-719-058-24	DIODE RB501V-40TE-17	
D1002	6-502-177-01	DI UMZ9.1KTL		D5525	8-719-058-24	DIODE RB501V-40TE-17	
D1003	6-502-177-01	DI UMZ9.1KTL		D5526	8-719-058-24	DIODE RB501V-40TE-17	
D1004	6-501-623-01	DIODE PZU13B2		D6401	6-501-614-01	DIODE PZU5.6B2	
D1005	6-502-180-01	DI UMZ12KTL		D6404	6-502-318-01	DI MA4J1130GLS0	
D1006	6-502-177-01	DI UMZ9.1KTL		D6406	6-501-528-01	DIODE 1SMA5915BT3G	
D1007	6-502-177-01	DI UMZ9.1KTL		D6407	6-501-528-01	DIODE 1SMA5915BT3G	
D1008	6-502-177-01	DI UMZ9.1KTL		D6408	6-501-817-01	DIODE MA2J1110GLS0	
D1009	6-502-177-01	DI UMZ9.1KTL		D6409	6-500-295-01	DIODE PTZ-TE25-5.6B	
D1010	6-501-623-01	DIODE PZU13B2		D6412	6-501-528-01	DIODE 1SMA5915BT3G	
D1012	6-501-619-01	DIODE PZU9.1B2		D6414	6-501-614-01	DIODE PZU5.6B2	
D1013	6-502-180-01	DI UMZ12KTL		D6418	6-502-318-01	DI MA4J1130GLS0	
D1014	6-502-180-01	DI UMZ12KTL		D6431	6-501-528-01	DIODE 1SMA5915BT3G	
D1210	6-501-817-01	DIODE MA2J1110GLS0		D6432	6-502-318-01	DI MA4J1130GLS0	
D3000	6-502-180-01	DI UMZ12KTL		D6433	6-502-318-01	DI MA4J1130GLS0	
D3002	6-502-180-01	DI UMZ12KTL		D7100	6-502-318-01	DI MA4J1130GLS0	
D3011	6-501-614-01	DIODE PZU5.6B2		D7101	6-500-701-01	DIODE PGB1010603NR	
D3014	6-502-318-01	DI MA4J1130GLS0		D7102	6-500-701-01	DIODE PGB1010603NR	
D3027	6-502-180-01	DI UMZ12KTL		D7604	8-719-053-07	DIODE SML-310MTT86	
D3029	6-502-180-01	DI UMZ12KTL		D7605	8-719-053-07	DIODE SML-310MTT86	
D3031	6-501-619-01	DIODE PZU9.1B2		D8202	6-502-318-01	DI MA4J1130GLS0	
D3049	6-502-180-01	DI UMZ12KTL		D8210	6-502-177-01	DI UMZ9.1KTL	
D3050	6-502-180-01	DI UMZ12KTL		D8212	6-502-177-01	DI UMZ9.1KTL	
D3055	6-501-620-01	DIODE PZU10B2		D8213	6-502-177-01	DI UMZ9.1KTL	
D3056	6-502-180-01	DI UMZ12KTL		ET2201	1-780-482-11	EARTH TERMINAL	
D3057	6-502-177-01	DI UMZ9.1KTL		ET2211	1-780-434-11	TERMINAL, GROUND (ON BOARD CON	
D3058	6-502-180-01	DI UMZ12KTL		ET2212	1-780-434-11	TERMINAL, GROUND (ON BOARD CON	
D3059	6-502-180-01	DI UMZ12KTL		ET5001	1-780-638-21	CONTACT TERMINAL	
D3400	6-501-732-01	DIODE MAZ8056G0LS0		ET5002	1-780-638-21	CONTACT TERMINAL	
D3401	6-501-732-01	DIODE MAZ8056G0LS0		ET5003	1-780-638-21	CONTACT TERMINAL	
D3403	6-502-318-01	DI MA4J1130GLS0		ET5004	1-780-638-21	CONTACT TERMINAL	
D3404	6-501-817-01	DIODE MA2J1110GLS0		ET5006	1-780-638-21	CONTACT TERMINAL	
D3405	6-501-817-01	DIODE MA2J1110GLS0		ET6400	1-780-482-11	EARTH TERMINAL	
D3406	6-501-619-01	DIODE PZU9.1B2		ET6401	1-780-482-11	EARTH TERMINAL	
D3407	6-502-172-01	DI UMZ5.6KTL		ET6402	1-780-482-11	EARTH TERMINAL	
D4502	6-500-335-01	DIODE MC2838-T112-1		ET6403	1-780-482-11	EARTH TERMINAL	
D4505	6-500-335-01	DIODE MC2838-T112-1		ET6404	1-780-482-11	EARTH TERMINAL	
D4506	6-500-335-01	DIODE MC2838-T112-1		ET6405	1-780-482-11	EARTH TERMINAL	
D5501	6-501-817-01	DIODE MA2J1110GLS0					

**Note :** The components identified by shading and marked  $\Delta$  are critical for safety. Replace only with the part numbers specified in the parts list.

**BGE**

REF.NO.	PART.NO	DESCRIPTION	REMARK	REF.NO.	PART.NO	DESCRIPTION	REMARK
ET6406	1-780-482-11	EARTH TERMINAL		FB5511	1-400-834-11	FERRITE	OUH
	< FUSE >			FB5513	1-400-834-11	FERRITE	OUH
FB3000	$\Delta$ 1-576-646-11	FUSE	0.5A 50V	FB6400	1-400-915-21	FERRITE	OUH
FB3200	$\Delta$ 1-576-913-11	FUSE	1.6A 36V	FB6401	1-400-089-21	FERRITE	OUH
FB3401	$\Delta$ 1-576-933-21	FUSE	5A 24V	FB6402	1-400-834-11	FERRITE	OUH
	< FERRITE BEAD >			FB6403	1-400-089-21	FERRITE	OUH
FB2200	1-469-869-21	FERRITE	OUH	FB6404	1-400-834-11	FERRITE	OUH
FB2201	1-400-834-11	FERRITE	OUH	FB6405	1-400-834-11	FERRITE	OUH
FB2202	1-400-834-11	FERRITE	OUH	FB6406	1-400-089-21	FERRITE	OUH
FB2203	1-400-834-11	FERRITE	OUH	FB6407	1-400-834-11	FERRITE	OUH
FB2204	1-400-834-11	FERRITE	OUH	FB6409	1-400-089-21	FERRITE	OUH
FB2205	1-400-834-11	FERRITE	OUH	FB6410	1-400-915-21	FERRITE	OUH
FB2206	1-400-834-11	FERRITE	OUH	FB6411	1-400-915-21	FERRITE	OUH
FB2207	1-400-834-11	FERRITE	OUH	FB6413	1-400-089-21	FERRITE	OUH
FB2208	1-400-834-11	FERRITE	OUH	FB6414	1-400-915-21	FERRITE	OUH
FB2209	1-400-834-11	FERRITE	OUH	FB6415	1-400-915-21	FERRITE	OUH
FB2210	1-400-834-11	FERRITE	OUH	FB6417	1-400-089-21	FERRITE	OUH
FB2211	1-400-834-11	FERRITE	OUH	FB6418	1-400-915-21	FERRITE	OUH
FB2214	1-400-591-22	FERRITE	OUH	FB6419	1-400-915-21	FERRITE	OUH
FB2215	1-400-834-11	FERRITE	OUH	FB6420	1-400-915-21	FERRITE	OUH
FB2216	1-400-462-21	FERRITE	OUH	FB6421	1-400-915-21	FERRITE	OUH
FB2218	1-400-462-21	FERRITE	OUH	FB6423	1-400-915-21	FERRITE	OUH
FB2219	1-400-834-11	FERRITE	OUH	FB6424	1-400-915-21	FERRITE	OUH
FB2220	1-400-834-11	FERRITE	OUH	FB6425	1-400-915-21	FERRITE	OUH
FB2221	1-400-834-11	FERRITE	OUH	FB6426	1-400-915-21	FERRITE	OUH
FB3004	1-400-141-22	FERRITE	OUH	FB6427	1-400-915-21	FERRITE	OUH
FB3006	1-400-834-11	FERRITE	OUH	FB6428	1-400-915-21	FERRITE	OUH
FB3007	1-400-244-11	FERRITE	OUH	FB7100	1-400-382-11	FERRITE	OUH
FB3080	1-469-869-21	FERRITE	OUH	FB7101	1-400-382-11	FERRITE	OUH
FB3406	1-400-089-21	FERRITE	OUH	FB7102	1-400-382-11	FERRITE	OUH
FB3407	1-400-089-21	FERRITE	OUH	FB7500	1-400-807-21	FERRITE	OUH
FB3408	1-400-089-21	FERRITE	OUH	FB7501	1-400-832-21	FERRITE	OUH
FB3409	1-400-089-21	FERRITE	OUH	FB7600	1-400-382-11	FERRITE	OUH
FB4000	1-400-244-11	FERRITE	OUH	FB7601	1-400-382-11	FERRITE	OUH
FB4001	1-400-244-11	FERRITE	OUH	FB7602	1-400-382-11	FERRITE	OUH
FB4500	1-400-693-21	FERRITE	OUH	FB7603	1-400-382-11	FERRITE	OUH
FB4502	1-400-693-21	FERRITE	OUH	FB7709	1-469-869-21	FERRITE	OUH
FB4503	1-400-693-21	FERRITE	OUH	FB8200	1-469-084-21	FERRITE	OMH
FB4504	1-400-141-22	FERRITE	OUH		< FILTER >		
FB5500	1-400-834-11	FERRITE	OUH	FL5000	1-234-939-21	FILTER, EMI REMOVAL (SMD)	
FB5501	1-400-834-11	FERRITE	OUH	FL5001	1-234-494-21	FILTER, EMI REMOVAL (SMD)	
FB5502	1-400-834-11	FERRITE	OUH	FL5002	1-234-494-21	FILTER, EMI REMOVAL (SMD)	
FB5503	1-400-834-11	FERRITE	OUH	FL5003	1-234-939-21	FILTER, EMI REMOVAL (SMD)	
FB5504	1-400-834-11	FERRITE	OUH	FL5004	1-234-494-21	FILTER, EMI REMOVAL (SMD)	
FB5505	1-400-834-11	FERRITE	OUH	FL5007	1-234-494-21	FILTER, EMI REMOVAL (SMD)	
FB5507	1-400-834-11	FERRITE	OUH	FL5008	1-234-939-21	FILTER, EMI REMOVAL (SMD)	
FB5510	1-400-834-11	FERRITE	OUH	FL5009	1-234-494-21	FILTER, EMI REMOVAL (SMD)	
				FL5010	1-234-939-21	FILTER, EMI REMOVAL (SMD)	
				FL5011	1-234-939-21	FILTER, EMI REMOVAL (SMD)	

REF.NO.	PART.NO	DESCRIPTION	REMARK	REF.NO.	PART.NO	DESCRIPTION	REMARK
FL5012	1-234-939-21	FILTER, EMI REMOVAL (SMD)		IC6402	6-710-922-01	IC BD9853AFV-E2	
FL5013	1-234-939-21	FILTER, EMI REMOVAL (SMD)		IC6403	6-710-922-01	IC BD9853AFV-E2	
FL5015	1-234-939-21	FILTER, EMI REMOVAL (SMD)		IC6405	6-711-145-01	IC TP851124RGER	
FL5016	1-234-939-21	FILTER, EMI REMOVAL (SMD)		IC6570	6-712-749-01	IC MM1701YHBE	
FL5018	1-234-494-21	FILTER, EMI REMOVAL (SMD)		IC6571	6-710-949-01	IC SN0608006PWPR	
FL5019	1-234-939-21	FILTER, EMI REMOVAL (SMD)		IC6572	6-712-787-01	IC MM1701VHBE	
FL5020	1-234-494-21	FILTER, EMI REMOVAL (SMD)		IC6573	6-706-419-01	IC LM393DT (A)	
FL5021	1-234-494-21	FILTER, EMI REMOVAL (SMD)		IC7000	6-713-132-01	IC UPD61300F1-230-LU2-A	
FL5022	1-234-494-21	FILTER, EMI REMOVAL (SMD)		IC7100	6-703-175-01	IC PST3629UL	
FL5023	1-234-939-21	FILTER, EMI REMOVAL (SMD)		IC7101	6-711-288-01	IC MIC2005-0.5YM6TR	
FL5024	1-234-939-21	FILTER, EMI REMOVAL (SMD)		IC7200	6-712-189-01	IC EDE5116AJBG-6E-E	
FL5025	1-234-494-21	FILTER, EMI REMOVAL (SMD)		IC7201	6-712-189-01	IC EDE5116AJBG-6E-E	
FL5026	1-234-494-21	FILTER, EMI REMOVAL (SMD)		IC7300	6-711-242-01	IC K9F1208U0C-PCB0T	
FL6400	1-234-494-21	FILTER, EMI REMOVAL (SMD)		IC7600	6-712-775-11	IC KS28041TLTR	
FL6401	1-234-494-21	FILTER, EMI REMOVAL (SMD)		IC7701	6-707-850-01	IC TC74LCX245FT (EKJ)	
FL6402	1-234-494-21	FILTER, EMI REMOVAL (SMD)		IC7704	6-707-853-01	IC TC74LCX541FT (EKJ)	
FL6403	1-234-494-21	FILTER, EMI REMOVAL (SMD)		IC7705	6-707-853-01	IC TC74LCX541FT (EKJ)	
		< IC >		IC7706	6-707-853-01	IC TC74LCX541FT (EKJ)	
IC1000	6-701-173-01	IC MC74LVXT4053DTR2		IC7707	6-707-853-01	IC TC74LCX541FT (EKJ)	
IC1210	6-707-864-01	IC TC74VHC123AFT (EKJ)		IC7708	6-707-853-01	IC TC74LCX541FT (EKJ)	
IC1211	6-708-360-01	IC NJU7040F		IC7709	6-707-853-01	IC TC74LCX541FT (EKJ)	
IC1212	6-710-374-01	IC 74LVC1G157GW-125		IC7710	6-711-288-01	IC MIC2005-0.5YM6TR	
IC2200	6-709-257-01	IC 74LVC4066PW		IC8200	8-753-299-00	IC CXA3767R-T6	
IC2202	6-709-932-01	IC MM3141CNRE				< SOCKET >	
IC2203	6-709-607-01	IC LA5795T-TLM-E		J1000	1-821-055-12	PHONO JACK 5P	
IC3000	6-704-600-01	IC M24C02-WMN6T (B)		J3000	1-820-765-11	PHONO JACK 2P	
IC3001	6-712-789-01	IC 74AUP1T45GW		J3001	1-821-899-11	JACK (SMALL TYPE)	
IC3002	6-712-789-01	IC 74AUP1T45GW		J3002	1-821-899-11	JACK (SMALL TYPE)	
IC3004	8-759-242-64	IC TC4W53F		J3005	1-821-115-11	PHONO JACK (RIGHT ANGLE) 3P	
IC3080	6-712-525-01	IC MIC2005-0.8YM6TR		J8200	1-815-325-11	JACK	
IC3201	6-712-974-01	IC CXD9926ATQ				< COIL >	
IC3400	6-710-904-01	IC TPA3100D2PHPR		L2200	1-412-058-11	INDUCTOR	10UH
IC4001	6-711-262-01	IC HYB18TC256160BF-3S		L2201	1-469-549-21	INDUCTOR	1UH
IC4002	6-711-262-01	IC HYB18TC256160BF-3S		L2202	1-412-058-11	INDUCTOR	10UH
IC4500	6-704-600-01	IC M24C02-WMN6T (B)		L2203	1-412-058-11	INDUCTOR	10UH
IC4504	6-704-600-01	IC M24C02-WMN6T (B)		L2204	1-412-058-11	INDUCTOR	10UH
IC4505	6-704-600-01	IC M24C02-WMN6T (B)		L2206	1-412-058-11	INDUCTOR	10UH
IC4508	8-753-282-08	IC CXB1444R-T6		L2207	1-412-058-11	INDUCTOR	10UH
IC4509	6-711-332-01	IC TC7SG17FU (TE85R,F)		L2208	1-412-058-11	INDUCTOR	10UH
IC5004	6-712-787-01	IC MM1701VHBE		L2209	1-469-549-21	INDUCTOR	1UH
IC5500	6-704-573-01	IC M24C32-WMN6T (B)		L2210	1-469-549-21	INDUCTOR	1UH
IC5501	6-710-443-01	IC LM75AD		L2211	1-469-549-21	INDUCTOR	1UH
IC5502	6-712-337-01	IC PCA8563T/4		L2212	1-469-555-21	INDUCTOR	10UH
IC5503	6-702-688-01	IC M24C64-WMN6T (B)		L3200	1-400-179-21	FERRITE	0UH
IC5504	6-703-175-01	IC PST3629UL		L3201	1-400-179-21	FERRITE	0UH
IC5505	6-804-648-01	IC MB90F334APMC-GE1		L3202	1-469-555-21	INDUCTOR	10UH
IC5507	6-712-527-01	IC MM3154XURE		L3401	1-457-429-11	INDUCTOR	22UH
IC6401	6-712-744-01	IC TK11190CSCL-G					

**Note :** The components identified by shading and marked  $\Delta$  are critical for safety. Replace only with the part numbers specified in the parts list.

**BGE**

REF.NO.	PART.NO	DESCRIPTION	REMARK	REF.NO.	PART.NO	DESCRIPTION	REMARK
L3402	1-457-429-11	INDUCTOR	22UH	Q2207	6-550-871-01	TRANSISTOR 2SA2048TL QR	
L3403	1-457-429-11	INDUCTOR	22UH	Q2208	6-550-871-01	TRANSISTOR 2SA2048TL QR	
L3406	1-457-429-11	INDUCTOR	22UH	Q2209	6-551-825-01	TR UNR52A5G0LS0	
L5503	1-400-179-21	FERRITE	0UH	Q2212	8-729-620-13	TRANSISTOR 2SC4154TP-1EF	
L5505	1-400-179-21	FERRITE	0UH	Q3400	6-551-699-01	TRANSISTOR ISA1602AM1TP-1EF	
L5506	1-400-179-21	FERRITE	0UH	Q3401	6-551-817-01	TR UNR52A3G0LS0	
L6403	1-457-439-11	INDUCTOR	4.7UH	Q4500	6-551-904-01	TR RT3S03M-T111-1	
L6404	1-457-439-11	INDUCTOR	4.7UH	Q4501	6-551-701-01	TRANSISTOR INK0003AC1-T112A-1	
L6405	1-457-439-11	INDUCTOR	4.7UH	Q4502	6-551-701-01	TRANSISTOR INK0003AC1-T112A-1	
L6407	1-457-439-11	INDUCTOR	4.7UH	Q4503	6-551-701-01	TRANSISTOR INK0003AC1-T112A-1	
L6411	1-457-455-11	INDUCTOR	10UH	Q4700	8-729-028-28	TRANSISTOR 2SK2036 (TE85L)	
L6412	1-400-692-11	INDUCTOR	10UH	Q4701	8-729-028-28	TRANSISTOR 2SK2036 (TE85L)	
L6413	1-457-439-11	INDUCTOR	4.7UH	Q4702	8-729-028-96	TRANSISTOR DTC114EUA-T106	
L6418	1-457-497-11	INDUCTOR	4.7UH	Q4703	8-729-028-86	TRANSISTOR DTA143EUA-T106	
L6419	1-457-439-11	INDUCTOR	4.7UH	Q5500	6-551-699-01	TRANSISTOR ISA1602AM1TP-1EF	
L7100	1-457-374-21	INDUCTOR	0UH	Q5501	8-729-028-73	TRANSISTOR DTA114EUA-T106	
L7400	1-412-058-11	INDUCTOR	10UH	Q5503	8-729-028-28	TRANSISTOR 2SK2036 (TE85L)	
L8000	1-457-539-11	INDUCTOR	0UH	Q5504	8-729-028-28	TRANSISTOR 2SK2036 (TE85L)	
L8001	1-457-539-11	INDUCTOR	0UH	Q5506	8-729-029-14	TRANSISTOR DTC144EUA-T106	
L8002	1-457-539-11	INDUCTOR	0UH	Q5508	8-729-029-14	TRANSISTOR DTC144EUA-T106	
L8003	1-457-539-11	INDUCTOR	0UH	Q5510	8-729-029-14	TRANSISTOR DTC144EUA-T106	
L8004	1-457-539-11	INDUCTOR	0UH	Q5511	6-551-776-01	TR 2SC5950G0LS0	
L8005	1-457-539-11	INDUCTOR	0UH	Q5512	6-551-776-01	TR 2SC5950G0LS0	
L8200	1-412-058-11	INDUCTOR	10UH	Q6400	8-729-028-73	TRANSISTOR DTA114EUA-T106	
L8203	1-412-058-11	INDUCTOR	10UH	Q6401	6-551-986-01	TR RT3DL1M-T111A-1F	
L8204	1-412-058-11	INDUCTOR	10UH	Q6403	6-551-986-01	TR RT3DL1M-T111A-1F	
L8205	1-412-058-11	INDUCTOR	10UH	Q6404	6-551-986-01	TR RT3DL1M-T111A-1F	
L8206	1-412-058-11	INDUCTOR	10UH	Q6407	6-551-382-01	TRANSISTOR RSS040P03FD5TB	
				Q6408	6-551-456-01	TRANSISTOR RTR020P02TL	
				Q6409	6-551-123-01	TRANSISTOR RSS065N03FU7TB	
< PROTECTOR MODULE >							
PS6400	$\Delta$ 1-576-736-41	IC LINK	3.15A 24V	Q6410	6-550-718-01	TRANSISTOR RSR025N03TL	
PS6401	$\Delta$ 1-576-736-41	IC LINK	3.15A 24V	Q6411	6-551-382-01	TRANSISTOR RSS040P03FD5TB	
PS6402	$\Delta$ 1-576-736-41	IC LINK	3.15A 24V	Q6412	6-551-123-01	TRANSISTOR RSS065N03FU7TB	
PS6403	$\Delta$ 1-576-736-41	IC LINK	3.15A 24V	Q6413	6-551-456-01	TRANSISTOR RTR020P02TL	
PS6404	$\Delta$ 1-576-736-41	IC LINK	3.15A 24V	Q6414	8-729-620-13	TRANSISTOR 2SC4154TP-1EF	
				Q6415	6-550-718-01	TRANSISTOR RSR025N03TL	
				Q6416	8-729-028-28	TRANSISTOR 2SK2036 (TE85L)	
Q1000	8-729-028-28	TRANSISTOR 2SK2036 (TE85L)		Q6417	6-551-775-01	TR 2SA2122G0LS0	
Q1001	8-729-029-14	TRANSISTOR DTC144EUA-T106		Q6418	6-551-986-01	TR RT3DL1M-T111A-1F	
Q1002	6-551-775-01	TR 2SA2122G0LS0		Q6419	8-729-028-96	TRANSISTOR DTC114EUA-T106	
Q1003	6-551-776-01	TR 2SC5950G0LS0		Q6421	6-551-690-01	TRANSISTOR RT3N11M-TP-1	
Q1006	6-551-943-01	TR RT3XBBM-T111-1		Q6430	6-550-663-01	TRANSISTOR RSS100N03FD5TB	
Q1007	6-551-775-01	TR 2SA2122G0LS0		Q6431	6-550-663-01	TRANSISTOR RSS100N03FD5TB	
Q1008	6-551-776-01	TR 2SC5950G0LS0		Q6434	6-551-986-01	TR RT3DL1M-T111A-1F	
Q1210	6-551-775-01	TR 2SA2122G0LS0		Q6436	6-551-986-01	TR RT3DL1M-T111A-1F	
Q2201	6-551-696-01	TRANSISTOR ISA1235AC1TP-1EF		Q6437	6-551-986-01	TR RT3DL1M-T111A-1F	
Q2202	6-551-904-01	TR RT3S03M-T111-1		Q6440	6-550-663-01	TRANSISTOR RSS100N03FD5TB	
Q2203	6-551-904-01	TR RT3S03M-T111-1		Q6441	6-550-663-01	TRANSISTOR RSS100N03FD5TB	
Q2204	6-551-904-01	TR RT3S03M-T111-1		Q6443	6-551-986-01	TR RT3DL1M-T111A-1F	
Q2205	6-551-817-01	TR UNR52A3G0LS0		Q6446	6-551-639-01	TRANSISTOR RTR040N03TL	





REF.NO.	PART.NO	DESCRIPTION	REMARK	REF.NO.	PART.NO	DESCRIPTION	REMARK
Q6447	6-551-639-01	TRANSISTOR RTR040N03TL		R1057	1-218-972-11	METAL CHIP 39K 5%	1/16W
Q7100	6-551-690-01	TRANSISTOR RT3N11M-TP-1		R1058	1-218-971-11	METAL CHIP 33K 5%	1/16W
Q7101	6-551-690-01	TRANSISTOR RT3N11M-TP-1		R1059	1-218-965-11	METAL CHIP 10K 5%	1/16W
Q8000	8-729-028-96	TRANSISTOR DTC114EUA-T106		R1060	1-218-963-11	METAL CHIP 6.8K 5%	1/16W
Q8200	6-551-943-01	TR RT3XBBM-T111-1		R1061	1-218-957-11	METAL CHIP 2.2K 5%	1/16W
Q8210	6-551-943-01	TR RT3XBBM-T111-1		R1062	1-218-963-11	METAL CHIP 6.8K 5%	1/16W
Q8212	6-551-943-01	TR RT3XBBM-T111-1		R1063	1-218-957-11	METAL CHIP 2.2K 5%	1/16W
		< RESISTOR >		R1064	1-208-860-81	METAL CHIP 75 0.5%	1/16W
R1000	1-218-957-11	METAL CHIP 2.2K 5%	1/16W	R1066	1-208-860-81	METAL CHIP 75 0.5%	1/16W
R1001	1-218-965-11	METAL CHIP 10K 5%	1/16W	R1068	1-208-860-81	METAL CHIP 75 0.5%	1/16W
R1002	1-218-965-11	METAL CHIP 10K 5%	1/16W	R1070	1-208-860-81	METAL CHIP 75 0.5%	1/16W
R1015	1-216-864-11	SHORT CHIP 0		R1073	1-208-860-81	METAL CHIP 75 0.5%	1/16W
R1016	1-218-971-11	METAL CHIP 33K 5%	1/16W	R1074	1-208-860-81	METAL CHIP 75 0.5%	1/16W
R1017	1-218-971-11	METAL CHIP 33K 5%	1/16W	R1076	1-208-860-81	METAL CHIP 75 0.5%	1/16W
R1018	1-208-860-81	METAL CHIP 75 0.5%	1/16W	R1078	1-208-860-81	METAL CHIP 75 0.5%	1/16W
R1020	1-211-990-11	METAL CHIP 75 0.5%	1/10W	R1081	1-208-860-81	METAL CHIP 75 0.5%	1/16W
R1021	1-218-941-81	METAL CHIP 100 5%	1/16W	R1083	1-208-860-81	METAL CHIP 75 0.5%	1/16W
R1022	1-216-813-11	METAL CHIP 220 5%	1/10W	R1085	1-208-860-81	METAL CHIP 75 0.5%	1/16W
R1023	1-216-853-11	METAL CHIP 470K 5%	1/10W	R1220	1-218-990-81	SHORT CHIP 0	
R1024	1-218-989-11	METAL CHIP 1M 5%	1/16W	R1221	1-218-937-11	METAL CHIP 47 5%	1/16W
R1025	1-218-989-11	METAL CHIP 1M 5%	1/16W	R1222	1-218-973-11	METAL CHIP 47K 5%	1/16W
R1026	1-216-811-11	METAL CHIP 150 5%	1/10W	R1223	1-208-923-11	METAL CHIP 33K 0.5%	1/16W
R1027	1-216-853-11	METAL CHIP 470K 5%	1/10W	R1224	1-218-937-11	METAL CHIP 47 5%	1/16W
R1028	1-218-949-11	METAL CHIP 470 5%	1/16W	R1225	1-208-927-11	METAL CHIP 47K 0.5%	1/16W
R1029	1-216-811-11	METAL CHIP 150 5%	1/10W	R1227	1-208-699-11	METAL CHIP 4.7K 0.5%	1/16W
R1030	1-218-971-11	METAL CHIP 33K 5%	1/16W	R1228	1-208-911-11	METAL CHIP 10K 0.5%	1/16W
R1031	1-218-965-11	METAL CHIP 10K 5%	1/16W	R1229	1-208-939-11	METAL CHIP 150K 0.5%	1/16W
R1032	1-216-864-11	SHORT CHIP 0		R1230	1-218-990-81	SHORT CHIP 0	
R1033	1-208-860-81	METAL CHIP 75 0.5%	1/16W	R1231	1-208-927-11	METAL CHIP 47K 0.5%	1/16W
R1036	1-218-972-11	METAL CHIP 39K 5%	1/16W	R1232	1-208-911-11	METAL CHIP 10K 0.5%	1/16W
R1037	1-218-972-11	METAL CHIP 39K 5%	1/16W	R1233	1-208-911-11	METAL CHIP 10K 0.5%	1/16W
R1038	1-211-990-11	METAL CHIP 75 0.5%	1/10W	R1234	1-208-911-11	METAL CHIP 10K 0.5%	1/16W
R1039	1-218-941-81	METAL CHIP 100 5%	1/16W	R1238	1-208-911-11	METAL CHIP 10K 0.5%	1/16W
R1040	1-218-941-81	METAL CHIP 100 5%	1/16W	R1239	1-208-927-11	METAL CHIP 47K 0.5%	1/16W
R1041	1-218-941-81	METAL CHIP 100 5%	1/16W	R1240	1-208-935-11	METAL CHIP 100K 0.5%	1/16W
R1042	1-218-941-81	METAL CHIP 100 5%	1/16W	R1241	1-218-965-11	METAL CHIP 10K 5%	1/16W
R1043	1-216-853-11	METAL CHIP 470K 5%	1/10W	R1242	1-218-937-11	METAL CHIP 47 5%	1/16W
R1044	1-216-813-11	METAL CHIP 220 5%	1/10W	R2204	1-218-949-11	METAL CHIP 470 5%	1/16W
R1045	1-218-989-11	METAL CHIP 1M 5%	1/16W	R2207	1-218-969-11	METAL CHIP 22K 5%	1/16W
R1046	1-218-989-11	METAL CHIP 1M 5%	1/16W	R2208	1-218-981-91	METAL CHIP 220K 5%	1/16W
R1047	1-216-853-11	METAL CHIP 470K 5%	1/10W	R2213	1-218-965-11	METAL CHIP 10K 5%	1/16W
R1048	1-218-989-11	METAL CHIP 1M 5%	1/16W	R2216	1-218-971-11	METAL CHIP 33K 5%	1/16W
R1049	1-216-811-11	METAL CHIP 150 5%	1/10W	R2218	1-218-971-11	METAL CHIP 33K 5%	1/16W
R1050	1-218-989-11	METAL CHIP 1M 5%	1/16W	R2219	1-218-965-11	METAL CHIP 10K 5%	1/16W
R1052	1-218-941-81	METAL CHIP 100 5%	1/16W	R2222	1-218-969-11	METAL CHIP 22K 5%	1/16W
R1054	1-218-949-11	METAL CHIP 470 5%	1/16W	R2225	1-218-965-11	METAL CHIP 10K 5%	1/16W
R1055	1-216-811-11	METAL CHIP 150 5%	1/10W	R2227	1-218-949-11	METAL CHIP 470 5%	1/16W
R1056	1-218-972-11	METAL CHIP 39K 5%	1/16W	R2229	1-218-949-11	METAL CHIP 470 5%	1/16W
				R2233	1-218-969-11	METAL CHIP 22K 5%	1/16W
				R2234	1-218-965-11	METAL CHIP 10K 5%	1/16W



REF.NO.	PART.NO	DESCRIPTION	REMARK			REF.NO.	PART.NO	DESCRIPTION	REMARK		
R2242	1-218-937-11	METAL CHIP	47	5%	1/16W	R3218	1-218-989-11	METAL CHIP	1M	5%	1/16W
R2250	1-218-990-81	SHORT CHIP	0			R3219	1-218-990-81	SHORT CHIP	0		
R2251	1-218-941-81	METAL CHIP	100	5%	1/16W	R3220	1-218-990-81	SHORT CHIP	0		
R2253	1-216-864-11	SHORT CHIP	0			R3407	1-208-699-11	METAL CHIP	4.7K	0.5%	1/16W
R2255	1-218-990-81	SHORT CHIP	0			R3408	1-208-699-11	METAL CHIP	4.7K	0.5%	1/16W
R2257	1-218-990-81	SHORT CHIP	0			R3415	1-208-911-11	METAL CHIP	10K	0.5%	1/16W
R2258	1-218-990-81	SHORT CHIP	0			R3416	1-208-911-11	METAL CHIP	10K	0.5%	1/16W
R2259	1-218-965-11	METAL CHIP	10K	5%	1/16W	R3427	1-218-990-81	SHORT CHIP	0		
R2266	1-218-965-11	METAL CHIP	10K	5%	1/16W	R3431	1-218-990-81	SHORT CHIP	0		
R3002	1-216-864-11	SHORT CHIP	0			R3432	1-218-977-11	METAL CHIP	100K	5%	1/16W
R3010	1-218-990-81	SHORT CHIP	0			R3434	1-218-977-11	METAL CHIP	100K	5%	1/16W
R3011	1-218-990-81	SHORT CHIP	0			R3453	1-218-981-91	METAL CHIP	220K	5%	1/16W
R3012	1-218-990-81	SHORT CHIP	0			R3455	1-218-953-11	METAL CHIP	1K	5%	1/16W
R3019	1-218-953-11	METAL CHIP	1K	5%	1/16W	R3456	1-218-969-11	METAL CHIP	22K	5%	1/16W
R3029	1-218-953-11	METAL CHIP	1K	5%	1/16W	R3457	1-218-949-11	METAL CHIP	470	5%	1/16W
R3035	1-218-977-11	METAL CHIP	100K	5%	1/16W	R3458	1-218-973-11	METAL CHIP	47K	5%	1/16W
R3036	1-216-864-11	SHORT CHIP	0			R3459	1-218-941-81	METAL CHIP	100	5%	1/16W
R3040	1-218-989-11	METAL CHIP	1M	5%	1/16W	R3460	1-218-965-11	METAL CHIP	10K	5%	1/16W
R3041	1-218-989-11	METAL CHIP	1M	5%	1/16W	R4000	1-218-943-11	METAL CHIP	150	5%	1/16W
R3042	1-218-989-11	METAL CHIP	1M	5%	1/16W	R4003	1-218-943-11	METAL CHIP	150	5%	1/16W
R3043	1-218-989-11	METAL CHIP	1M	5%	1/16W	R4010	1-218-933-11	METAL CHIP	22	5%	1/16W
R3044	1-218-990-81	SHORT CHIP	0			R4011	1-218-933-11	METAL CHIP	22	5%	1/16W
R3045	1-211-990-11	METAL CHIP	75	0.5%	1/10W	R4012	1-218-933-11	METAL CHIP	22	5%	1/16W
R3048	1-218-965-11	METAL CHIP	10K	5%	1/16W	R4013	1-218-933-11	METAL CHIP	22	5%	1/16W
R3053	1-218-941-81	METAL CHIP	100	5%	1/16W	R4014	1-218-935-11	METAL CHIP	33	5%	1/16W
R3078	1-218-967-11	METAL CHIP	15K	5%	1/16W	R4015	1-218-935-11	METAL CHIP	33	5%	1/16W
R3079	1-218-967-11	METAL CHIP	15K	5%	1/16W	R4016	1-218-935-11	METAL CHIP	33	5%	1/16W
R3080	1-218-967-11	METAL CHIP	15K	5%	1/16W	R4017	1-218-935-11	METAL CHIP	33	5%	1/16W
R3081	1-218-967-11	METAL CHIP	15K	5%	1/16W	R4018	1-218-935-11	METAL CHIP	33	5%	1/16W
R3100	1-208-860-81	METAL CHIP	75	0.5%	1/16W	R4019	1-218-935-11	METAL CHIP	33	5%	1/16W
R3101	1-218-941-81	METAL CHIP	100	5%	1/16W	R4020	1-218-933-11	METAL CHIP	22	5%	1/16W
R3107	1-218-941-81	METAL CHIP	100	5%	1/16W	R4021	1-218-933-11	METAL CHIP	22	5%	1/16W
R3108	1-216-853-11	METAL CHIP	470K	5%	1/10W	R4022	1-218-933-11	METAL CHIP	22	5%	1/16W
R3109	1-216-853-11	METAL CHIP	470K	5%	1/10W	R4023	1-218-933-11	METAL CHIP	22	5%	1/16W
R3110	1-218-989-11	METAL CHIP	1M	5%	1/16W	R4028	1-218-933-11	METAL CHIP	22	5%	1/16W
R3111	1-218-989-11	METAL CHIP	1M	5%	1/16W	R4029	1-218-933-11	METAL CHIP	22	5%	1/16W
R3112	1-218-941-81	METAL CHIP	100	5%	1/16W	R4032	1-208-671-11	METAL CHIP	330	0.5%	1/16W
R3113	1-208-860-81	METAL CHIP	75	0.5%	1/16W	R4033	1-208-671-11	METAL CHIP	330	0.5%	1/16W
R3117	1-208-860-81	METAL CHIP	75	0.5%	1/16W	R4034	1-208-671-11	METAL CHIP	330	0.5%	1/16W
R3119	1-208-860-81	METAL CHIP	75	0.5%	1/16W	R4035	1-208-671-11	METAL CHIP	330	0.5%	1/16W
R3203	1-218-990-81	SHORT CHIP	0			R4500	1-218-953-11	METAL CHIP	1K	5%	1/16W
R3204	1-218-990-81	SHORT CHIP	0			R4502	1-218-967-11	METAL CHIP	15K	5%	1/16W
R3205	1-218-990-81	SHORT CHIP	0			R4512	1-218-953-11	METAL CHIP	1K	5%	1/16W
R3206	1-218-990-81	SHORT CHIP	0			R4513	1-218-953-11	METAL CHIP	1K	5%	1/16W
R3209	1-218-965-11	METAL CHIP	10K	5%	1/16W	R4514	1-218-967-11	METAL CHIP	15K	5%	1/16W
R3210	1-218-953-11	METAL CHIP	1K	5%	1/16W	R4515	1-218-967-11	METAL CHIP	15K	5%	1/16W
R3214	1-218-957-11	METAL CHIP	2.2K	5%	1/16W	R4517	1-218-965-11	METAL CHIP	10K	5%	1/16W
R3215	1-208-715-11	METAL CHIP	22K	0.5%	1/16W	R4519	1-218-965-11	METAL CHIP	10K	5%	1/16W
R3216	1-218-945-11	METAL CHIP	220	5%	1/16W	R4525	1-218-965-11	METAL CHIP	10K	5%	1/16W
R3217	1-218-945-11	METAL CHIP	220	5%	1/16W	R4528	1-218-977-11	METAL CHIP	100K	5%	1/16W



REF.NO.	PART.NO	DESCRIPTION	REMARK	REF.NO.	PART.NO	DESCRIPTION	REMARK
R4529	1-208-699-11	METAL CHIP	4.7K 0.5% 1/16W	R5572	1-218-933-11	METAL CHIP	22 5% 1/16W
R4533	1-218-941-81	METAL CHIP	100 5% 1/16W	R5574	1-218-965-11	METAL CHIP	10K 5% 1/16W
R4534	1-218-941-81	METAL CHIP	100 5% 1/16W	R5576	1-218-941-81	METAL CHIP	100 5% 1/16W
R4535	1-218-965-11	METAL CHIP	10K 5% 1/16W	R5578	1-218-941-81	METAL CHIP	100 5% 1/16W
R4537	1-218-965-11	METAL CHIP	10K 5% 1/16W	R5590	1-218-965-11	METAL CHIP	10K 5% 1/16W
R4538	1-218-981-91	METAL CHIP	220K 5% 1/16W	R5592	1-218-957-11	METAL CHIP	2.2K 5% 1/16W
R4540	1-218-981-91	METAL CHIP	220K 5% 1/16W	R5602	1-218-941-81	METAL CHIP	100 5% 1/16W
R4541	1-218-981-91	METAL CHIP	220K 5% 1/16W	R5604	1-218-965-11	METAL CHIP	10K 5% 1/16W
R4542	1-218-941-81	METAL CHIP	100 5% 1/16W	R5614	1-218-957-11	METAL CHIP	2.2K 5% 1/16W
R4708	1-218-965-11	METAL CHIP	10K 5% 1/16W	R5616	1-218-941-81	METAL CHIP	100 5% 1/16W
R4709	1-218-965-11	METAL CHIP	10K 5% 1/16W	R5617	1-218-963-11	METAL CHIP	6.8K 5% 1/16W
R4725	1-218-990-81	SHORT CHIP	0	R5621	1-218-941-81	METAL CHIP	100 5% 1/16W
R4728	1-218-990-81	SHORT CHIP	0	R5623	1-218-941-81	METAL CHIP	100 5% 1/16W
R4755	1-218-990-81	SHORT CHIP	0	R5629	1-218-941-81	METAL CHIP	100 5% 1/16W
R4756	1-208-671-11	METAL CHIP	330 0.5% 1/16W	R5630	1-218-963-11	METAL CHIP	6.8K 5% 1/16W
R4757	1-208-671-11	METAL CHIP	330 0.5% 1/16W	R5643	1-218-941-81	METAL CHIP	100 5% 1/16W
R4761	1-218-990-81	SHORT CHIP	0	R5644	1-218-965-11	METAL CHIP	10K 5% 1/16W
R5016	1-216-864-11	SHORT CHIP	0	R5646	1-218-941-81	METAL CHIP	100 5% 1/16W
R5020	1-216-864-11	SHORT CHIP	0	R5647	1-218-933-11	METAL CHIP	22 5% 1/16W
R5021	1-216-864-11	SHORT CHIP	0	R5648	1-218-933-11	METAL CHIP	22 5% 1/16W
R5022	1-208-635-11	METAL CHIP	10 0.5% 1/16W	R5649	1-218-941-81	METAL CHIP	100 5% 1/16W
R5024	1-208-635-11	METAL CHIP	10 0.5% 1/16W	R5650	1-218-933-11	METAL CHIP	22 5% 1/16W
R5501	1-216-864-11	SHORT CHIP	0	R5651	1-218-941-81	METAL CHIP	100 5% 1/16W
R5502	1-208-911-11	METAL CHIP	10K 0.5% 1/16W	R5652	1-218-933-11	METAL CHIP	22 5% 1/16W
R5503	1-218-965-11	METAL CHIP	10K 5% 1/16W	R5655	1-218-965-11	METAL CHIP	10K 5% 1/16W
R5505	1-218-965-11	METAL CHIP	10K 5% 1/16W	R5656	1-218-949-11	METAL CHIP	470 5% 1/16W
R5507	1-218-965-11	METAL CHIP	10K 5% 1/16W	R5669	1-218-941-81	METAL CHIP	100 5% 1/16W
R5508	1-218-965-11	METAL CHIP	10K 5% 1/16W	R5670	1-218-965-11	METAL CHIP	10K 5% 1/16W
R5509	1-218-941-81	METAL CHIP	100 5% 1/16W	R5671	1-218-965-11	METAL CHIP	10K 5% 1/16W
R5512	1-218-941-81	METAL CHIP	100 5% 1/16W	R5674	1-218-965-11	METAL CHIP	10K 5% 1/16W
R5513	1-218-977-11	METAL CHIP	100K 5% 1/16W	R5675	1-218-953-11	METAL CHIP	1K 5% 1/16W
R5515	1-218-965-11	METAL CHIP	10K 5% 1/16W	R5676	1-218-953-11	METAL CHIP	1K 5% 1/16W
R5518	1-218-973-11	METAL CHIP	47K 5% 1/16W	R5677	1-218-941-81	METAL CHIP	100 5% 1/16W
R5519	1-218-977-11	METAL CHIP	100K 5% 1/16W	R5678	1-218-941-81	METAL CHIP	100 5% 1/16W
R5522	1-218-973-11	METAL CHIP	47K 5% 1/16W	R5684	1-208-699-11	METAL CHIP	4.7K 0.5% 1/16W
R5527	1-208-911-11	METAL CHIP	10K 0.5% 1/16W	R5685	1-208-699-11	METAL CHIP	4.7K 0.5% 1/16W
R5528	1-243-975-11	METAL CHIP	4.7M 5% 1/16W	R5686	1-208-699-11	METAL CHIP	4.7K 0.5% 1/16W
R5530	1-218-965-11	METAL CHIP	10K 5% 1/16W	R5689	1-218-941-81	METAL CHIP	100 5% 1/16W
R5531	1-218-965-11	METAL CHIP	10K 5% 1/16W	R5690	1-218-941-81	METAL CHIP	100 5% 1/16W
R5533	1-218-945-11	METAL CHIP	220 5% 1/16W	R5700	1-208-699-11	METAL CHIP	4.7K 0.5% 1/16W
R5541	1-218-965-11	METAL CHIP	10K 5% 1/16W	R5702	1-218-965-11	METAL CHIP	10K 5% 1/16W
R5542	1-218-970-11	METAL CHIP	27K 5% 1/16W	R5709	1-218-990-81	SHORT CHIP	0
R5544	1-218-990-81	SHORT CHIP	0	R5713	1-218-990-81	SHORT CHIP	0
R5555	1-218-965-11	METAL CHIP	10K 5% 1/16W	R5714	1-218-990-81	SHORT CHIP	0
R5556	1-218-965-11	METAL CHIP	10K 5% 1/16W	R5717	1-218-957-11	METAL CHIP	2.2K 5% 1/16W
R5563	1-218-961-11	METAL CHIP	4.7K 5% 1/16W	R5719	1-218-941-81	METAL CHIP	100 5% 1/16W
R5568	1-218-941-81	METAL CHIP	100 5% 1/16W	R5722	1-218-990-81	SHORT CHIP	0
R5569	1-218-945-11	METAL CHIP	220 5% 1/16W	R5723	1-218-957-11	METAL CHIP	2.2K 5% 1/16W
R5570	1-218-941-81	METAL CHIP	100 5% 1/16W	R5725	1-218-941-81	METAL CHIP	100 5% 1/16W
R5571	1-218-941-81	METAL CHIP	100 5% 1/16W	R5726	1-218-965-11	METAL CHIP	10K 5% 1/16W



REF.NO.	PART.NO	DESCRIPTION	REMARK			REF.NO.	PART.NO	DESCRIPTION	REMARK		
R5805	1-218-965-11	METAL CHIP	10K	5%	1/16W	R6491	1-218-965-11	METAL CHIP	10K	5%	1/16W
R6401	1-218-953-11	METAL CHIP	1K	5%	1/16W	R6495	1-218-965-11	METAL CHIP	10K	5%	1/16W
R6402	1-218-965-11	METAL CHIP	10K	5%	1/16W	R6496	1-218-965-11	METAL CHIP	10K	5%	1/16W
R6403	1-218-965-11	METAL CHIP	10K	5%	1/16W	R6497	1-218-941-81	METAL CHIP	100	5%	1/16W
R6405	1-218-953-11	METAL CHIP	1K	5%	1/16W	R6499	1-218-983-11	METAL CHIP	330K	5%	1/16W
R6408	1-218-941-81	METAL CHIP	100	5%	1/16W	R6500	1-218-973-11	METAL CHIP	47K	5%	1/16W
R6409	1-218-969-11	METAL CHIP	22K	5%	1/16W	R6524	1-218-961-11	METAL CHIP	4.7K	5%	1/16W
R6416	1-218-949-11	METAL CHIP	470	5%	1/16W	R6533	1-218-953-11	METAL CHIP	1K	5%	1/16W
R6417	1-218-965-11	METAL CHIP	10K	5%	1/16W	R6534	1-218-990-81	SHORT CHIP	0		
R6418	1-208-911-11	METAL CHIP	10K	0.5%	1/16W	R6535	1-218-990-81	SHORT CHIP	0		
R6419	1-208-699-11	METAL CHIP	4.7K	0.5%	1/16W	R6538	1-208-931-11	METAL CHIP	68K	0.5%	1/16W
R6420	1-208-699-11	METAL CHIP	4.7K	0.5%	1/16W	R6542	1-208-910-11	METAL CHIP	9.1K	0.5%	1/16W
R6421	1-208-911-11	METAL CHIP	10K	0.5%	1/16W	R6545	1-218-974-11	METAL CHIP	56K	5%	1/16W
R6423	1-218-965-11	METAL CHIP	10K	5%	1/16W	R6551	1-208-697-11	METAL CHIP	3.9K	0.5%	1/16W
R6424	1-218-943-11	METAL CHIP	150	5%	1/16W	R6553	1-216-791-11	METAL CHIP	3.3	5%	1/10W
R6426	1-208-703-11	METAL CHIP	6.8K	0.5%	1/16W	R6554	1-208-699-11	METAL CHIP	4.7K	0.5%	1/16W
R6427	1-218-941-11	METAL CHIP	100	5%	1/16W	R6555	1-208-721-11	METAL CHIP	39K	0.5%	1/16W
R6428	1-208-890-11	METAL CHIP	1.3K	0.5%	1/16W	R6556	1-218-937-11	METAL CHIP	47	5%	1/16W
R6430	1-218-965-11	METAL CHIP	10K	5%	1/16W	R6557	1-218-937-11	METAL CHIP	47	5%	1/16W
R6432	1-218-957-11	METAL CHIP	2.2K	5%	1/16W	R6558	1-218-990-81	SHORT CHIP	0		
R6433	1-218-990-81	SHORT CHIP	0			R6561	1-208-695-11	METAL CHIP	3.3K	0.5%	1/16W
R6435	1-218-990-81	SHORT CHIP	0			R6562	1-218-965-11	METAL CHIP	10K	5%	1/16W
R6436	1-218-990-81	SHORT CHIP	0			R6563	1-218-990-81	SHORT CHIP	0		
R6437	1-218-990-81	SHORT CHIP	0			R6564	1-218-990-81	SHORT CHIP	0		
R6438	1-218-990-81	SHORT CHIP	0			R6565	1-208-911-11	METAL CHIP	10K	0.5%	1/16W
R6439	1-218-967-11	METAL CHIP	15K	5%	1/16W	R6568	1-218-941-11	METAL CHIP	100	5%	1/16W
R6441	1-218-990-81	SHORT CHIP	0			R6583	1-218-965-11	METAL CHIP	10K	5%	1/16W
R6443	1-208-909-11	METAL CHIP	8.2K	0.5%	1/16W	R6585	1-218-982-11	METAL CHIP	270K	5%	1/16W
R6444	1-218-990-81	SHORT CHIP	0			R6603	1-218-953-11	METAL CHIP	1K	5%	1/16W
R6451	1-218-990-81	SHORT CHIP	0			R6609	1-218-967-11	METAL CHIP	15K	5%	1/16W
R6453	1-218-990-81	SHORT CHIP	0			R6610	1-218-953-11	METAL CHIP	1K	5%	1/16W
R6454	1-218-941-81	METAL CHIP	100	5%	1/16W	R6611	1-218-965-11	METAL CHIP	10K	5%	1/16W
R6455	1-218-965-11	METAL CHIP	10K	5%	1/16W	R6614	1-218-990-81	SHORT CHIP	0		
R6459	1-218-957-11	METAL CHIP	2.2K	5%	1/16W	R6615	1-216-864-11	SHORT CHIP	0		
R6461	1-208-911-11	METAL CHIP	10K	0.5%	1/16W	R6624	1-218-977-11	METAL CHIP	100K	5%	1/16W
R6462	1-218-941-11	METAL CHIP	100	5%	1/16W	R6625	1-218-941-81	METAL CHIP	100	5%	1/16W
R6463	1-208-699-11	METAL CHIP	4.7K	0.5%	1/16W	R6626	1-216-797-11	METAL CHIP	10	5%	1/10W
R6466	1-218-965-11	METAL CHIP	10K	5%	1/16W	R6629	1-216-797-11	METAL CHIP	10	5%	1/10W
R6467	1-208-671-11	METAL CHIP	330	0.5%	1/16W	R6630	1-216-797-11	METAL CHIP	10	5%	1/10W
R6468	1-208-883-81	METAL CHIP	680	0.5%	1/16W	R6631	1-208-931-11	METAL CHIP	68K	0.5%	1/16W
R6469	1-218-957-11	METAL CHIP	2.2K	5%	1/16W	R6632	1-208-683-11	METAL CHIP	1K	0.5%	1/16W
R6470	1-218-965-11	METAL CHIP	10K	5%	1/16W	R6633	1-208-699-11	METAL CHIP	4.7K	0.5%	1/16W
R6473	1-218-965-11	METAL CHIP	10K	5%	1/16W	R6634	1-218-941-81	METAL CHIP	100	5%	1/16W
R6474	1-208-683-11	METAL CHIP	1K	0.5%	1/16W	R6635	1-218-941-81	METAL CHIP	100	5%	1/16W
R6475	1-208-683-11	METAL CHIP	1K	0.5%	1/16W	R6636	1-216-295-91	SHORT CHIP	0		
R6476	1-208-905-11	METAL CHIP	5.6K	0.5%	1/16W	R7100	1-218-941-81	METAL CHIP	100	5%	1/16W
R6477	1-218-965-11	METAL CHIP	10K	5%	1/16W	R7103	1-218-953-11	METAL CHIP	1K	5%	1/16W
R6479	1-218-939-11	METAL CHIP	68	5%	1/16W	R7104	1-218-941-81	METAL CHIP	100	5%	1/16W
R6489	1-218-961-11	METAL CHIP	4.7K	5%	1/16W	R7107	1-218-949-11	METAL CHIP	470	5%	1/16W
R6490	1-218-973-11	METAL CHIP	47K	5%	1/16W	R7108	1-218-937-11	METAL CHIP	47	5%	1/16W





REF.NO.	PART.NO	DESCRIPTION	REMARK			REF.NO.	PART.NO	DESCRIPTION	REMARK		
R7109	1-218-937-11	METAL CHIP	47	5%	1/16W	R7414	1-218-990-81	SHORT CHIP	0		
R7110	1-220-884-81	METAL CHIP	39	0.5%	1/16W	R7503	1-218-937-11	METAL CHIP	47	5%	1/16W
R7111	1-220-884-81	METAL CHIP	39	0.5%	1/16W	R7507	1-218-965-11	METAL CHIP	10K	5%	1/16W
R7112	1-218-949-11	METAL CHIP	470	5%	1/16W	R7509	1-218-965-11	METAL CHIP	10K	5%	1/16W
R7113	1-208-688-11	METAL CHIP	1.6K	0.5%	1/16W	R7510	1-218-965-11	METAL CHIP	10K	5%	1/16W
R7114	1-218-967-11	METAL CHIP	15K	5%	1/16W	R7513	1-218-965-11	METAL CHIP	10K	5%	1/16W
R7115	1-218-967-11	METAL CHIP	15K	5%	1/16W	R7516	1-218-965-11	METAL CHIP	10K	5%	1/16W
R7122	1-218-990-81	SHORT CHIP	0			R7518	1-218-965-11	METAL CHIP	10K	5%	1/16W
R7123	1-218-937-11	METAL CHIP	47	5%	1/16W	R7520	1-218-941-81	METAL CHIP	100	5%	1/16W
R7202	1-218-943-11	METAL CHIP	150	5%	1/16W	R7521	1-218-937-11	METAL CHIP	47	5%	1/16W
R7203	1-208-663-11	METAL CHIP	150	0.5%	1/16W	R7522	1-218-965-11	METAL CHIP	10K	5%	1/16W
R7204	1-208-663-11	METAL CHIP	150	0.5%	1/16W	R7523	1-218-937-11	METAL CHIP	47	5%	1/16W
R7205	1-218-933-11	METAL CHIP	22	5%	1/16W	R7524	1-218-937-11	METAL CHIP	47	5%	1/16W
R7206	1-218-933-11	METAL CHIP	22	5%	1/16W	R7525	1-218-937-11	METAL CHIP	47	5%	1/16W
R7207	1-218-933-11	METAL CHIP	22	5%	1/16W	R7530	1-218-965-11	METAL CHIP	10K	5%	1/16W
R7208	1-218-933-11	METAL CHIP	22	5%	1/16W	R7531	1-218-965-11	METAL CHIP	10K	5%	1/16W
R7209	1-218-933-11	METAL CHIP	22	5%	1/16W	R7532	1-218-941-81	METAL CHIP	100	5%	1/16W
R7211	1-218-943-11	METAL CHIP	150	5%	1/16W	R7600	1-218-941-11	METAL CHIP	100	5%	1/16W
R7215	1-218-943-11	METAL CHIP	150	5%	1/16W	R7601	1-218-941-11	METAL CHIP	100	5%	1/16W
R7219	1-218-929-11	METAL CHIP	10	5%	1/16W	R7602	1-218-941-11	METAL CHIP	100	5%	1/16W
R7220	1-218-929-11	METAL CHIP	10	5%	1/16W	R7603	1-218-941-11	METAL CHIP	100	5%	1/16W
R7300	1-218-965-11	METAL CHIP	10K	5%	1/16W	R7605	1-208-703-11	METAL CHIP	6.8K	0.5%	1/16W
R7302	1-218-965-11	METAL CHIP	10K	5%	1/16W	R7606	1-218-990-81	SHORT CHIP	0		
R7305	1-218-965-11	METAL CHIP	10K	5%	1/16W	R7607	1-218-937-11	METAL CHIP	47	5%	1/16W
R7306	1-218-965-11	METAL CHIP	10K	5%	1/16W	R7608	1-218-978-11	METAL CHIP	120K	5%	1/16W
R7308	1-218-965-11	METAL CHIP	10K	5%	1/16W	R7609	1-218-947-11	METAL CHIP	330	5%	1/16W
R7310	1-218-965-11	METAL CHIP	10K	5%	1/16W	R7610	1-218-933-11	METAL CHIP	22	5%	1/16W
R7312	1-218-965-11	METAL CHIP	10K	5%	1/16W	R7611	1-218-947-11	METAL CHIP	330	5%	1/16W
R7313	1-218-949-11	METAL CHIP	470	5%	1/16W	R7612	1-218-961-11	METAL CHIP	4.7K	5%	1/16W
R7315	1-218-965-11	METAL CHIP	10K	5%	1/16W	R7613	1-218-961-11	METAL CHIP	4.7K	5%	1/16W
R7317	1-218-965-11	METAL CHIP	10K	5%	1/16W	R7615	1-218-961-11	METAL CHIP	4.7K	5%	1/16W
R7319	1-218-965-11	METAL CHIP	10K	5%	1/16W	R7618	1-218-953-11	METAL CHIP	1K	5%	1/16W
R7321	1-218-965-11	METAL CHIP	10K	5%	1/16W	R7619	1-218-961-11	METAL CHIP	4.7K	5%	1/16W
R7324	1-218-965-11	METAL CHIP	10K	5%	1/16W	R7622	1-218-953-11	METAL CHIP	1K	5%	1/16W
R7325	1-218-965-11	METAL CHIP	10K	5%	1/16W	R7624	1-218-953-11	METAL CHIP	1K	5%	1/16W
R7328	1-218-965-11	METAL CHIP	10K	5%	1/16W	R7625	1-218-961-11	METAL CHIP	4.7K	5%	1/16W
R7329	1-218-965-11	METAL CHIP	10K	5%	1/16W	R7628	1-218-953-11	METAL CHIP	1K	5%	1/16W
R7330	1-218-965-11	METAL CHIP	10K	5%	1/16W	R7630	1-218-953-11	METAL CHIP	1K	5%	1/16W
R7331	1-218-965-11	METAL CHIP	10K	5%	1/16W	R7631	1-218-961-11	METAL CHIP	4.7K	5%	1/16W
R7333	1-218-965-11	METAL CHIP	10K	5%	1/16W	R7635	1-218-941-11	METAL CHIP	100	5%	1/16W
R7334	1-218-965-11	METAL CHIP	10K	5%	1/16W	R7636	1-218-941-11	METAL CHIP	100	5%	1/16W
R7337	1-218-965-11	METAL CHIP	10K	5%	1/16W	R7637	1-218-941-11	METAL CHIP	100	5%	1/16W
R7338	1-218-949-11	METAL CHIP	470	5%	1/16W	R7638	1-218-941-11	METAL CHIP	100	5%	1/16W
R7339	1-218-965-11	METAL CHIP	10K	5%	1/16W	R7712	1-218-965-11	METAL CHIP	10K	5%	1/16W
R7341	1-218-949-11	METAL CHIP	470	5%	1/16W	R7718	1-218-937-11	METAL CHIP	47	5%	1/16W
R7408	1-220-180-11	METAL CHIP	620	5%	1/16W	R7722	1-218-941-81	METAL CHIP	100	5%	1/16W
R7409	1-220-174-11	METAL CHIP	200	5%	1/16W	R7723	1-218-941-81	METAL CHIP	100	5%	1/16W
R7410	1-220-174-11	METAL CHIP	200	5%	1/16W	R7724	1-218-941-81	METAL CHIP	100	5%	1/16W
R7411	1-220-174-11	METAL CHIP	200	5%	1/16W	R7725	1-218-965-11	METAL CHIP	10K	5%	1/16W
R7412	1-208-866-11	METAL CHIP	130	0.5%	1/16W	R7726	1-218-965-11	METAL CHIP	10K	5%	1/16W



REF.NO.	PART.NO	DESCRIPTION	REMARK	REF.NO.	PART.NO	DESCRIPTION	REMARK
R7727	1-218-965-11	METAL CHIP	10K 5% 1/16W	R8082	1-218-963-11	METAL CHIP	6.8K 5% 1/16W
R7729	1-218-965-11	METAL CHIP	10K 5% 1/16W	R8085	1-218-953-11	METAL CHIP	1K 5% 1/16W
R7730	1-218-965-11	METAL CHIP	10K 5% 1/16W	R8089	1-218-990-81	SHORT CHIP	0
R7731	1-218-965-11	METAL CHIP	10K 5% 1/16W	R8094	1-218-965-11	METAL CHIP	10K 5% 1/16W
R7733	1-218-953-11	METAL CHIP	1K 5% 1/16W	R8097	1-208-890-11	METAL CHIP	1.3K 0.5% 1/16W
R7734	1-218-937-11	METAL CHIP	47 5% 1/16W	R8099	1-208-890-11	METAL CHIP	1.3K 0.5% 1/16W
R7735	1-218-953-11	METAL CHIP	1K 5% 1/16W	R8101	1-208-890-11	METAL CHIP	1.3K 0.5% 1/16W
R7736	1-218-965-11	METAL CHIP	10K 5% 1/16W	R8103	1-208-890-11	METAL CHIP	1.3K 0.5% 1/16W
R8004	1-218-965-11	METAL CHIP	10K 5% 1/16W	R8106	1-218-941-81	METAL CHIP	100 5% 1/16W
R8007	1-218-990-81	SHORT CHIP	0	R8107	1-218-941-81	METAL CHIP	100 5% 1/16W
R8008	1-218-941-81	METAL CHIP	100 5% 1/16W	R8108	1-218-941-81	METAL CHIP	100 5% 1/16W
R8009	1-218-935-11	METAL CHIP	33 5% 1/16W	R8112	1-218-990-81	SHORT CHIP	0
R8010	1-218-935-11	METAL CHIP	33 5% 1/16W	R8113	1-218-990-81	SHORT CHIP	0
R8011	1-218-935-11	METAL CHIP	33 5% 1/16W	R8120	1-218-941-81	METAL CHIP	100 5% 1/16W
R8012	1-218-935-11	METAL CHIP	33 5% 1/16W	R8122	1-218-965-11	METAL CHIP	10K 5% 1/16W
R8013	1-218-935-11	METAL CHIP	33 5% 1/16W	R8207	1-208-695-11	METAL CHIP	3.3K 0.5% 1/16W
R8014	1-218-935-11	METAL CHIP	33 5% 1/16W	R8208	1-218-941-81	METAL CHIP	100 5% 1/16W
R8015	1-218-935-11	METAL CHIP	33 5% 1/16W	R8215	1-218-949-11	METAL CHIP	470 5% 1/16W
R8016	1-218-935-11	METAL CHIP	33 5% 1/16W	R8216	1-218-949-11	METAL CHIP	470 5% 1/16W
R8017	1-218-935-11	METAL CHIP	33 5% 1/16W	R8222	1-218-990-81	SHORT CHIP	0
R8018	1-218-935-11	METAL CHIP	33 5% 1/16W	R8223	1-218-990-81	SHORT CHIP	0
R8019	1-218-935-11	METAL CHIP	33 5% 1/16W	R8224	1-218-990-81	SHORT CHIP	0
R8020	1-218-935-11	METAL CHIP	33 5% 1/16W	R8225	1-218-990-81	SHORT CHIP	0
R8021	1-218-935-11	METAL CHIP	33 5% 1/16W	R8235	1-218-945-11	METAL CHIP	220 5% 1/16W
R8022	1-218-935-11	METAL CHIP	33 5% 1/16W	R8236	1-218-945-11	METAL CHIP	220 5% 1/16W
R8023	1-218-935-11	METAL CHIP	33 5% 1/16W	R8237	1-218-945-11	METAL CHIP	220 5% 1/16W
R8024	1-218-935-11	METAL CHIP	33 5% 1/16W	R8240	1-218-965-11	METAL CHIP	10K 5% 1/16W
R8025	1-218-935-11	METAL CHIP	33 5% 1/16W				
R8026	1-218-935-11	METAL CHIP	33 5% 1/16W				
R8027	1-218-935-11	METAL CHIP	33 5% 1/16W				
R8028	1-218-935-11	METAL CHIP	33 5% 1/16W				
R8029	1-218-935-11	METAL CHIP	33 5% 1/16W				
R8030	1-218-935-11	METAL CHIP	33 5% 1/16W				
R8031	1-218-935-11	METAL CHIP	33 5% 1/16W				
R8032	1-218-935-11	METAL CHIP	33 5% 1/16W				
R8033	1-218-935-11	METAL CHIP	33 5% 1/16W				
R8034	1-218-935-11	METAL CHIP	33 5% 1/16W				
R8035	1-218-935-11	METAL CHIP	33 5% 1/16W				
R8036	1-218-935-11	METAL CHIP	33 5% 1/16W				
R8037	1-218-935-11	METAL CHIP	33 5% 1/16W				
R8038	1-218-935-11	METAL CHIP	33 5% 1/16W				
R8039	1-218-941-81	METAL CHIP	100 5% 1/16W				
R8042	1-218-941-81	METAL CHIP	100 5% 1/16W				
R8043	1-218-941-81	METAL CHIP	100 5% 1/16W				
R8049	1-218-937-11	METAL CHIP	47 5% 1/16W				
R8050	1-218-941-81	METAL CHIP	100 5% 1/16W				
R8051	1-218-941-81	METAL CHIP	100 5% 1/16W				
R8052	1-218-941-81	METAL CHIP	100 5% 1/16W				
R8078	1-218-965-11	METAL CHIP	10K 5% 1/16W				
R8081	1-218-963-11	METAL CHIP	6.8K 5% 1/16W				
< RESISTOR CHIP >							
				RB1000	1-234-382-21	RES, NETWORK 220K	(1005X4)
				RB1001	1-234-382-21	RES, NETWORK 220K	(1005X4)
				RB1002	1-239-678-81	RESISTOR, NETWORK 220	
				RB1005	1-234-372-11	RES, NETWORK 100	(1005X4)
				RB1007	1-239-674-81	RESISTOR, NETWORK 100	
				RB1008	1-239-682-11	RESISTOR, NETWORK 470	
				RB1010	1-239-678-81	RESISTOR, NETWORK 220	
				RB1011	1-234-372-11	RES, NETWORK 100	(1005X4)
				RB2200	1-239-670-81	RESISTOR, NETWORK 47	
				RB2201	1-234-710-21	RES, CHIP NETWORK 47X8	(3816)
				RB2202	1-239-674-81	RESISTOR, NETWORK 100	
				RB2203	1-239-666-81	RESISTOR, NETWORK 22	
				RB2205	1-239-694-81	RESISTOR, NETWORK 4.7K	
				RB3005	1-239-698-11	RESISTOR, NETWORK 10K	
				RB3006	1-239-674-81	RESISTOR, NETWORK 100	
				RB3010	1-239-704-81	RESISTOR, NETWORK 33K	
				RB3011	1-239-705-81	RESISTOR, NETWORK 39K	
				RB3021	1-239-674-81	RESISTOR, NETWORK 100	
				RB3023	1-239-704-81	RESISTOR, NETWORK 33K	
				RB3024	1-239-678-81	RESISTOR, NETWORK 220	



REF.NO.	PART.NO	DESCRIPTION	REMARK	REF.NO.	PART.NO	DESCRIPTION	REMARK
RB3025	1-239-698-11	RESISTOR, NETWORK 10K		RB5509	1-239-674-81	RESISTOR, NETWORK 100	
RB3028	1-239-698-11	RESISTOR, NETWORK 10K		RB5511	1-234-372-11	RES, NETWORK 100 (1005X4)	
RB3080	1-239-698-11	RESISTOR, NETWORK 10K		RB5512	1-234-376-11	RES, NETWORK 2.2K (1005X4)	
RB3200	1-234-378-21	RES, NETWORK 10K	(1005X4)	RB5513	1-239-690-81	RESISTOR, NETWORK 2.2K	
RB3201	1-234-377-21	RES, NETWORK 4.7K	(1005X4)	RB5514	1-239-690-81	RESISTOR, NETWORK 2.2K	
RB3202	1-234-371-21	RES, NETWORK 47	(1005X4)	RB5515	1-234-378-21	RES, NETWORK 10K (1005X4)	
RB3203	1-234-371-21	RES, NETWORK 47	(1005X4)	RB5516	1-239-674-81	RESISTOR, NETWORK 100	
RB3204	1-234-378-21	RES, NETWORK 10K	(1005X4)	RB5517	1-239-698-11	RESISTOR, NETWORK 10K	
RB3205	1-234-371-21	RES, NETWORK 47	(1005X4)	RB5518	1-239-674-81	RESISTOR, NETWORK 100	
RB3400	1-234-381-11	RES, NETWORK 100K	(1005X4)	RB5520	1-239-674-81	RESISTOR, NETWORK 100	
RB3401	1-234-382-21	RES, NETWORK 220K	(1005X4)	RB5521	1-239-690-81	RESISTOR, NETWORK 2.2K	
RB3402	1-239-674-81	RESISTOR, NETWORK 100		RB5522	1-234-372-11	RES, NETWORK 100 (1005X4)	
RB4012	1-234-892-21	RES, CHIP NETWORK 33X8	(3816)	RB5525	1-239-674-81	RESISTOR, NETWORK 100	
RB4013	1-234-892-21	RES, CHIP NETWORK 33X8	(3816)	RB5526	1-234-372-11	RES, NETWORK 100 (1005X4)	
RB4014	1-242-963-21	RES, NETWORK 33	(1005X4)	RB5527	1-234-372-11	RES, NETWORK 100 (1005X4)	
RB4015	1-234-711-21	RES, CHIP NETWORK 22X8	(3816)	RB5528	1-234-372-11	RES, NETWORK 100 (1005X4)	
RB4016	1-234-711-21	RES, CHIP NETWORK 22X8	(3816)	RB5529	1-239-674-81	RESISTOR, NETWORK 100	
RB4017	1-234-370-21	RES, NETWORK 22	(1005X4)	RB6403	1-234-378-21	RES, NETWORK 10K (1005X4)	
RB4018	1-234-711-21	RES, CHIP NETWORK 22X8	(3816)	RB6404	1-234-378-21	RES, NETWORK 10K (1005X4)	
RB4019	1-234-711-21	RES, CHIP NETWORK 22X8	(3816)	RB6405	1-239-698-11	RESISTOR, NETWORK 10K	
RB4020	1-234-370-21	RES, NETWORK 22	(1005X4)	RB6406	1-239-698-11	RESISTOR, NETWORK 10K	
RB4501	1-239-674-81	RESISTOR, NETWORK 100		RB7100	1-234-378-21	RES, NETWORK 10K (1005X4)	
RB4502	1-239-700-81	RESISTOR, NETWORK 15K		RB7103	1-239-698-11	RESISTOR, NETWORK 10K	
RB4512	1-239-674-81	RESISTOR, NETWORK 100		RB7104	1-239-670-81	RESISTOR, NETWORK 47	
RB4513	1-239-674-81	RESISTOR, NETWORK 100		RB7105	1-234-371-21	RES, NETWORK 47 (1005X4)	
RB4514	1-239-700-81	RESISTOR, NETWORK 15K		RB7200	1-234-370-21	RES, NETWORK 22 (1005X4)	
RB4515	1-239-700-81	RESISTOR, NETWORK 15K		RB7201	1-234-702-11	RES, NETWORK 68 (1005X4)	
RB4528	1-239-670-81	RESISTOR, NETWORK 47		RB7202	1-234-711-21	RES, CHIP NETWORK 22X8 (3816)	
RB4529	1-239-686-11	RESISTOR, NETWORK 1K		RB7203	1-234-711-21	RES, CHIP NETWORK 22X8 (3816)	
RB4702	1-239-674-81	RESISTOR, NETWORK 100		RB7300	1-234-710-21	RES, CHIP NETWORK 47X8 (3816)	
RB4703	1-239-674-81	RESISTOR, NETWORK 100		RB7301	1-234-710-21	RES, CHIP NETWORK 47X8 (3816)	
RB4704	1-239-698-11	RESISTOR, NETWORK 10K		RB7302	1-239-670-81	RESISTOR, NETWORK 47	
RB4705	1-239-698-11	RESISTOR, NETWORK 10K		RB7303	1-234-710-21	RES, CHIP NETWORK 47X8 (3816)	
RB4706	1-239-674-81	RESISTOR, NETWORK 100		RB7304	1-234-710-21	RES, CHIP NETWORK 47X8 (3816)	
RB4707	1-234-723-21	RES, NETWORK 75	(1005X4)	RB7305	1-234-371-21	RES, NETWORK 47 (1005X4)	
RB4708	1-239-698-11	RESISTOR, NETWORK 10K		RB7306	1-234-371-21	RES, NETWORK 47 (1005X4)	
RB4709	1-234-106-81	RES, NETWORK 0		RB7400	1-239-694-81	RESISTOR, NETWORK 4.7K	
RB4711	1-234-710-21	RES, CHIP NETWORK 47X8	(3816)	RB7402	1-234-372-11	RES, NETWORK 100 (1005X4)	
RB4712	1-234-371-21	RES, NETWORK 47	(1005X4)	RB7404	1-234-371-21	RES, NETWORK 47 (1005X4)	
RB5000	1-239-674-81	RESISTOR, NETWORK 100		RB7500	1-234-371-21	RES, NETWORK 47 (1005X4)	
RB5001	1-239-674-81	RESISTOR, NETWORK 100		RB7501	1-234-710-21	RES, CHIP NETWORK 47X8 (3816)	
RB5002	1-239-674-81	RESISTOR, NETWORK 100		RB7503	1-239-670-81	RESISTOR, NETWORK 47	
RB5003	1-239-674-81	RESISTOR, NETWORK 100		RB7504	1-234-371-21	RES, NETWORK 47 (1005X4)	
RB5500	1-234-372-11	RES, NETWORK 100	(1005X4)	RB7505	1-234-371-21	RES, NETWORK 47 (1005X4)	
RB5501	1-234-372-11	RES, NETWORK 100	(1005X4)	RB7506	1-234-371-21	RES, NETWORK 47 (1005X4)	
RB5502	1-234-372-11	RES, NETWORK 100	(1005X4)	RB7508	1-234-371-21	RES, NETWORK 47 (1005X4)	
RB5503	1-234-372-11	RES, NETWORK 100	(1005X4)	RB7509	1-239-670-81	RESISTOR, NETWORK 47	
RB5504	1-234-377-21	RES, NETWORK 4.7K	(1005X4)	RB7510	1-234-372-11	RES, NETWORK 100 (1005X4)	
RB5506	1-239-690-81	RESISTOR, NETWORK 2.2K		RB7511	1-234-710-21	RES, CHIP NETWORK 47X8 (3816)	
RB5507	1-239-690-81	RESISTOR, NETWORK 2.2K		RB7513	1-234-710-21	RES, CHIP NETWORK 47X8 (3816)	



REF.NO.	PART.NO	DESCRIPTION	REMARK	REF.NO.	PART.NO	DESCRIPTION	REMARK
RB7517	1-234-371-21	RES, NETWORK 47	(1005X4)			< TUNER >	
RB7518	1-234-799-21	RES, CHIP NETWORK 10KX8	(3816)				
RB7519	1-234-372-11	RES, NETWORK 100	(1005X4)	TU2200	8-597-641-00	TUNER UNIT, DIGITAL BTD-HF411T	
RB7520	1-239-670-81	RESISTOR, NETWORK 47				< VARISTOR >	
RB7521	1-239-670-81	RESISTOR, NETWORK 47					
RB7522	1-239-670-81	RESISTOR, NETWORK 47		VD1000	1-802-078-11	VARISTOR (SMD)	
RB7523	1-239-698-11	RESISTOR, NETWORK 10K		VD1001	1-802-078-11	VARISTOR (SMD)	
RB7524	1-234-378-21	RES, NETWORK 10K	(1005X4)	VD1002	1-802-078-11	VARISTOR (SMD)	
RB7600	1-234-372-11	RES, NETWORK 100	(1005X4)	VD1003	1-802-078-11	VARISTOR (SMD)	
RB7706	1-239-698-11	RESISTOR, NETWORK 10K		VD1004	1-802-078-11	VARISTOR (SMD)	
RB7707	1-234-371-21	RES, NETWORK 47	(1005X4)	VD1005	1-802-078-11	VARISTOR (SMD)	
RB7709	1-239-698-11	RESISTOR, NETWORK 10K		VD1006	1-802-078-11	VARISTOR (SMD)	
RB7712	1-234-378-21	RES, NETWORK 10K	(1005X4)	VD1007	1-802-078-11	VARISTOR (SMD)	
RB7713	1-234-799-21	RES, CHIP NETWORK 10KX8	(3816)	VD1008	1-802-078-11	VARISTOR (SMD)	
RB7714	1-234-799-21	RES, CHIP NETWORK 10KX8	(3816)	VD1009	1-802-078-11	VARISTOR (SMD)	
RB7715	1-234-378-21	RES, NETWORK 10K	(1005X4)	VD1010	1-802-078-11	VARISTOR (SMD)	
RB7716	1-234-710-21	RES, CHIP NETWORK 47X8	(3816)	VD1011	1-802-078-11	VARISTOR (SMD)	
RB7717	1-234-710-21	RES, CHIP NETWORK 47X8	(3816)	VD1012	1-802-078-11	VARISTOR (SMD)	
RB8005	1-239-674-81	RESISTOR, NETWORK 100		VD3001	1-802-078-11	VARISTOR (SMD)	
RB8006	1-239-674-81	RESISTOR, NETWORK 100		VD3002	1-802-078-11	VARISTOR (SMD)	
RB8007	1-239-674-81	RESISTOR, NETWORK 100		VD3003	1-802-078-11	VARISTOR (SMD)	
RB8008	1-239-674-81	RESISTOR, NETWORK 100		VD3004	1-802-078-11	VARISTOR (SMD)	
RB8009	1-234-372-11	RES, NETWORK 100	(1005X4)	VD3005	1-802-078-11	VARISTOR (SMD)	
RB8010	1-234-372-11	RES, NETWORK 100	(1005X4)	VD3006	1-802-078-11	VARISTOR (SMD)	
RB8011	1-239-674-81	RESISTOR, NETWORK 100		VD3007	1-802-493-21	VARISTOR, NETWORK (1005X2)	
RB8012	1-234-372-11	RES, NETWORK 100	(1005X4)	VD4500	1-802-078-11	VARISTOR (SMD)	
RB8014	1-239-674-81	RESISTOR, NETWORK 100		VD4501	1-802-078-11	VARISTOR (SMD)	
RB8015	1-234-372-11	RES, NETWORK 100	(1005X4)	VD4502	1-802-481-11	ESD SUPPRESSOR (4 ARRAY)	
RB8016	1-234-372-11	RES, NETWORK 100	(1005X4)	VD4503	1-802-481-11	ESD SUPPRESSOR (4 ARRAY)	
RB8017	1-239-674-81	RESISTOR, NETWORK 100		VD4504	1-802-481-11	ESD SUPPRESSOR (4 ARRAY)	
RB8018	1-239-690-81	RESISTOR, NETWORK 2.2K		VD4505	1-802-481-11	ESD SUPPRESSOR (4 ARRAY)	
RB8201	1-239-674-81	RESISTOR, NETWORK 100		VD4506	1-802-078-11	VARISTOR (SMD)	
RB8210	1-239-674-81	RESISTOR, NETWORK 100		VD4507	1-802-078-11	VARISTOR (SMD)	
RB8213	1-239-674-81	RESISTOR, NETWORK 100		VD4509	1-802-481-11	ESD SUPPRESSOR (4 ARRAY)	
RB8214	1-239-674-81	RESISTOR, NETWORK 100		VD4510	1-802-481-11	ESD SUPPRESSOR (4 ARRAY)	
RB8215	1-239-674-81	RESISTOR, NETWORK 100		VD4511	1-802-078-11	VARISTOR (SMD)	
RB8216	1-239-674-81	RESISTOR, NETWORK 100		VD4512	1-802-078-11	VARISTOR (SMD)	
RB8217	1-239-674-81	RESISTOR, NETWORK 100		VD7100	1-804-988-21	VARISTOR, CHIP	(1608)
RB8220	1-239-682-11	RESISTOR, NETWORK 470		VD8201	1-802-078-11	VARISTOR (SMD)	
RB8222	1-239-698-11	RESISTOR, NETWORK 10K		VD8202	1-802-078-11	VARISTOR (SMD)	
RB8223	1-234-372-11	RES, NETWORK 100	(1005X4)	VD8203	1-802-078-11	VARISTOR (SMD)	
RB8224	1-234-372-11	RES, NETWORK 100	(1005X4)	VDR001	1-802-078-11	VARISTOR (SMD)	
RB8225	1-234-372-11	RES, NETWORK 100	(1005X4)			< CRYSTAL >	
RB8226	1-234-372-11	RES, NETWORK 100	(1005X4)	X3200	1-814-130-11	QUARTZ CRYSTAL UNIT	
RB8227	1-234-372-11	RES, NETWORK 100	(1005X4)	X5500	1-813-784-21	VIBRATOR, CRYSTAL	
RB8228	1-234-372-11	RES, NETWORK 100	(1005X4)	X5501	1-795-537-21	VIBRATOR, CRYSTAL	
		< SWITCH >		X7100	1-814-145-11	QUARTS CRYSTAL UNIT	
S8000	1-572-921-11	SWITCH, KEY BOARD		X7101	1-813-990-11	QUARTS CRYSTAL 30MHZ	



REF.NO.	PART.NO	DESCRIPTION	REMARK	REF.NO.	PART.NO	DESCRIPTION	REMARK
<b>ACCESSORIES AND CONNECTORS</b>							
	*1-835-146-11	CONNECTOR ASSY, MDF61 (D4-BALANCER)	(52 inches)		*4-106-868-43	INSTRUCTION MANUAL (AEP) DANISH/FINNISH/ NORWEGIAN/SWEDISH	
	*1-835-147-11	CONNECTOR ASSY, MDF61 (INVERTER-BALANCER)	(40 inches)		*4-106-868-53	INSTRUCTION MANUAL (AEP) ENGLISH/POLISH/ RUSSIAN	
	*1-835-148-11	CONNECTOR ASSY, MDF61 (INVERTER-BALANCER)	(46 inches)		*4-106-868-63	INSTRUCTION MANUAL (AEP) CZECH/HUNGARIAN/ SLOVAK/TURKISH	
	*1-835-149-11	CONNECTOR ASSY, MDF61 (D5-BALANCER)	(52 inches)	<b>REMOTE COMMANDER</b>			
	*1-835-186-11	CONNECTOR ASSY (CN6600 (D4) -CN6501 (G5))	(52 inches)		1-480-778-11	REMOTE COMMANDER (RM-ED011)	
	*1-835-187-11	CONNECTOR ASSY (CN6500 (G5) -CN6900 (D5))	(52 inches)				
	*1-836-030-11	WIRE LEAD CONNECTOR (CON1-CN5000)	(40 inches)				
	*1-836-031-11	WIRE LEAD CONNECTOR (CON1-CN5000)	(46 inches)				
	*1-836-032-11	WIRE LEAD CONNECTOR (CON1-CN5000)	(52 inches)				
	*1-910-047-74	CONNECTOR ASSY 7P (CN6701-CN104)	(40 inches)				
	*1-910-047-78	CONNECTOR ASSY 9P (CN6706-CN11)	(52 inches)				
	*1-910-047-82	CONNECTOR ASSY 9P (CN6701-CN125)	(46 inches)				
	*1-910-050-28	MAIN HARNESS ASSY (CN5500-CN6154, CN101, CN301, CN401, LOGO, CN3400-SP)	(40 inches)				
	*1-910-050-29	MAIN HARNESS ASSY (CN5500-CN6154, CN101, CN301, CN401, LOGO, CN3400-SP)	(46 inches)				
	*1-910-050-30	MAIN HARNESS ASSY (CN5500-CN6154, CN101, CN301, CN401, LOGO, CN3400-SP)	(52 inches)				
	*1-910-050-32	CONNECTOR ASSY 13P (CN6401-CN6154)	(52 inches)				
	*1-910-050-34	XA CONNECTOR ASSY 4P (CON3-CN6151)	(40 inches)				
	*1-910-050-37	XA CONNECTOR ASSY 4P (CON3-CN6151)	(46 inches)				
	*1-910-050-38	XA CONNECTOR ASSY 4P (CON3-CN6151)	(52 inches)				
	*1-910-051-08	CONNECTOR ASSY 13P (CN6401-CN6150)	(40 inches)				
	*1-910-051-09	CONNECTOR ASSY 13P (CN6401-CN6150)	(46 inches)				
	*1-910-051-16	SUB HARNESS ASSY (CN6702-CN6153, CN6703- CN6950)	(52 inches)				
	*4-106-868-13	INSTRUCTION MANUAL (UK) ENGLISH					
	*4-106-868-23	INSTRUCTION MANUAL (AEP) GERMAN/FRENCH/ ITALIAN/DUTCH					
	*4-106-868-33	INSTRUCTION MANUAL (AEP) SPANISH/GREEK/PORTUGUESE					

REF.NO.	PART.NO	DESCRIPTION	REMARK	REF.NO.	PART.NO	DESCRIPTION	REMARK
<b>ACCESSORIES AND CONNECTORS</b>							
	*1-835-146-11	CONNECTOR ASSY, MDF61 (D4-BALANCER)	(52 inches)		*4-106-868-13	INSTRUCTION MANUAL (UK) ENGLISH	
	*1-835-147-11	CONNECTOR ASSY, MDF61 (INVERTER-BALANCER)	(40 inches)		*4-106-868-23	INSTRUCTION MANUAL (AEP) GERMAN/FRENCH/ ITALIAN/DUTCH	
	*1-835-148-11	CONNECTOR ASSY, MDF61 (INVERTER-BALANCER)	(46 inches)		*4-106-868-33	INSTRUCTION MANUAL (AEP) SPANISH/GREEK/PORTUGUESE	
	*1-835-149-11	CONNECTOR ASSY, MDF61 (D5-BALANCER)	(52 inches)		*4-106-868-43	INSTRUCTION MANUAL (AEP) DANISH/FINNISH/ NORWEGIAN/SWEDISH	
	*1-835-186-11	CONNECTOR ASSY (CN6600 (D4) -CN6501 (G5))	(52 inches)		*4-106-868-53	INSTRUCTION MANUAL (AEP) ENGLISH/POLISH/ RUSSIAN	
	*1-835-187-11	CONNECTOR ASSY (CN6500 (G5) -CN6900 (D5))	(52 inches)		*4-106-868-63	INSTRUCTION MANUAL (AEP) CZECH/HUNGARIAN/ SLOVAK/TURKISH	
	*1-836-030-11	WIRE LEAD CONNECTOR (CON1-CN8000 (BGE))	(40 inches)	<b>REMOTE COMMANDER</b>			
	*1-836-031-11	WIRE LEAD CONNECTOR (CON1-CN8000 (BGE))	(46 inches)		1-480-778-11	REMOTE COMMANDER (RM-ED011)	
	*1-836-032-11	WIRE LEAD CONNECTOR (CON1-CN8000 (BGE))	(52 inches)				
	*1-910-047-74	CONNECTOR ASSY 7P (CN6701-CN104)	(40 inches)				
	*1-910-047-78	CONNECTOR ASSY 9P (CN6706-CN11)	(52 inches)				
	*1-910-047-82	CONNECTOR ASSY 9P (CN6701-CN125)	(46 inches)				
	*1-910-050-28	MAIN HARNESS ASSY (CN5500-CN6154- CN101 (SWITCH UNIT) -CN301 (H3E) -CN401 (H4) -LOGO-CN3400 (BGE) -SP)	(40 inches)				
	*1-910-050-29	MAIN HARNESS ASSY (CN5500-CN6154- CN101 (SWITCH UNIT) -CN301 (H3E) -CN401 (H4) -LOGO-CN3400 (BGE) -SP)	(46 inches)				
	*1-910-050-30	MAIN HARNESS ASSY (CN5500-CN6154- CN101 (SWITCH UNIT) -CN301 (H3E) -CN401 (H4) -LOGO-CN3400 (BGE) -SP)	(52 inches)				
	*1-910-050-32	CONNECTOR ASSY 13P (CN6401 (BGE) -CN6150 (G5))	(52 inches)				
	*1-910-050-34	XA CONNECTOR ASSY 4P (CON3-CN6151)	(40 inches)				
	*1-910-050-37	XA CONNECTOR ASSY 4P (CON3-CN6151)	(46 inches)				
	*1-910-050-38	XA CONNECTOR ASSY 4P (CON3-CN6151)	(52 inches)				
	*1-910-051-08	CONNECTOR ASSY 13P (CN6401 (BGE) -CN6150)	(40 inches)				
	*1-910-051-09	CONNECTOR ASSY 13P (CN6401 (BGE) -CN6150)	(46 inches)				
	*1-910-051-16	SUB HARNESS ASSY (CN6702 (D4) -CN6153 (G5) , CN6703 (D4) -CN6950 (D5))	(52 inches)				

