



8mm CAMCORDER

Chassis : W-8

VP-L900

VP-L906

VP-L907

PAL

SAMSUNG

SERVICE MANUAL

SERVICE *Manual*

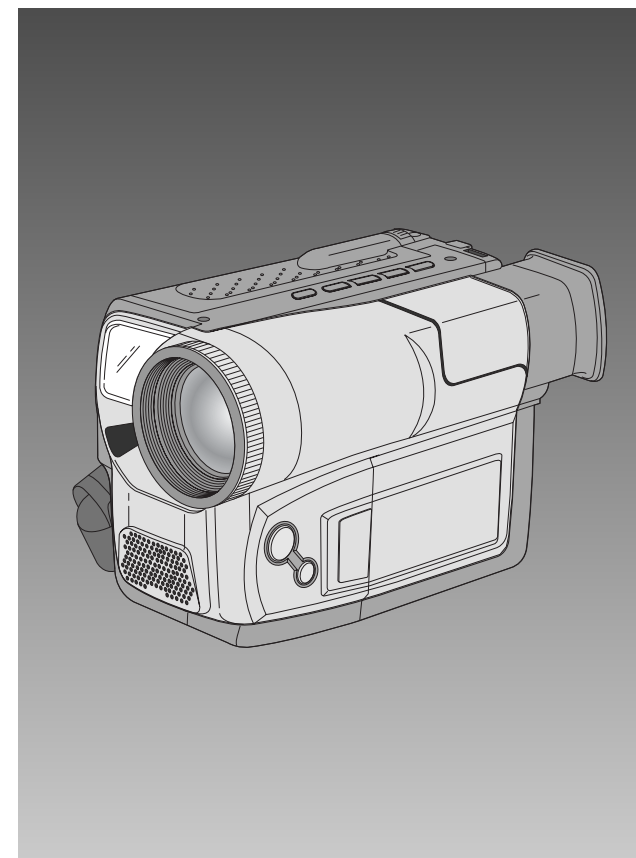
If you want to know additional information which is not included on this Service Manual, please refer to the VP-L900 Training Manual (AD82-00037A).



VP-L900/VP-L906/VP-L907

8mm CAMCORDER

CONTENTS



1. Precautions
2. Alignment and Adjustments
3. Exploded View and Parts List
4. Electrical Parts List
5. Block Diagram
6. PCB Diagrams
7. Schematic Diagrams

This Service Manual is a property of Samsung Electronics Co., Ltd.
Any unauthorized use of Manual can be punished under applicable
International and/or domestic law.

© Samsung Electronics Co., Ltd. FEB. 2004
Printed in Korea
AD82-00038A

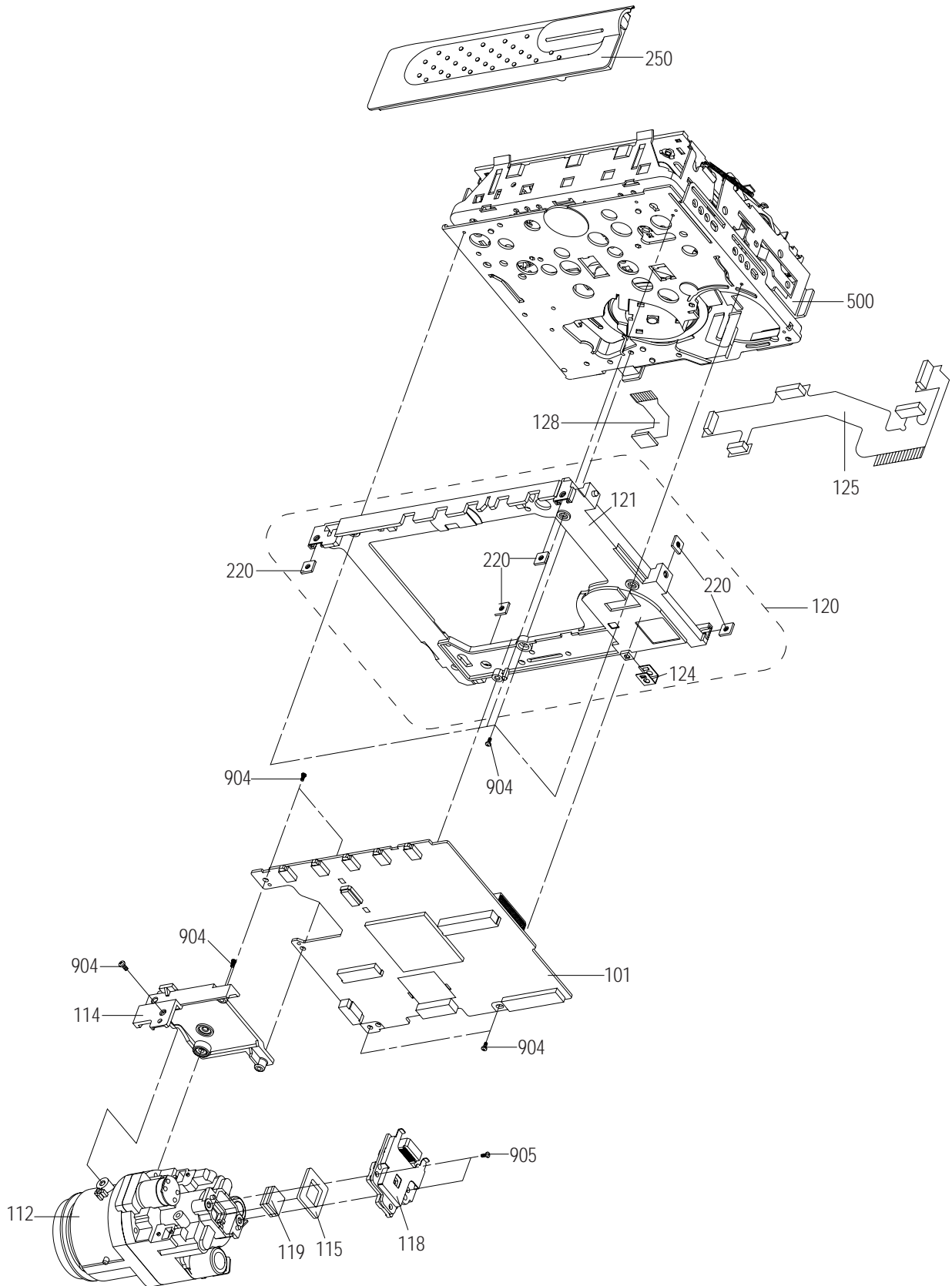
3. Exploded View and Parts List

	Page
3-1 Ass'y Chassis - - - - -	3-2
3-2 Ass'y Front - - - - -	3-4
3-3 Ass'y Rear - - - - -	3-6
3-4 Ass'y Right - - - - -	3-8
3-5 Ass'y Left - - - - -	3-10
3-6 Ass'y LCD - - - - -	3-12
3-7 Ass'y EVF - - - - -	3-14
3-8 Mechanical Parts (Housing Parts) - - - - -	3-16
3-9 Mechanical Parts (Main Chassis) - - - - -	3-18
3-10 Mechanical Parts (Sub Chassis) - - - - -	3-20

Notice

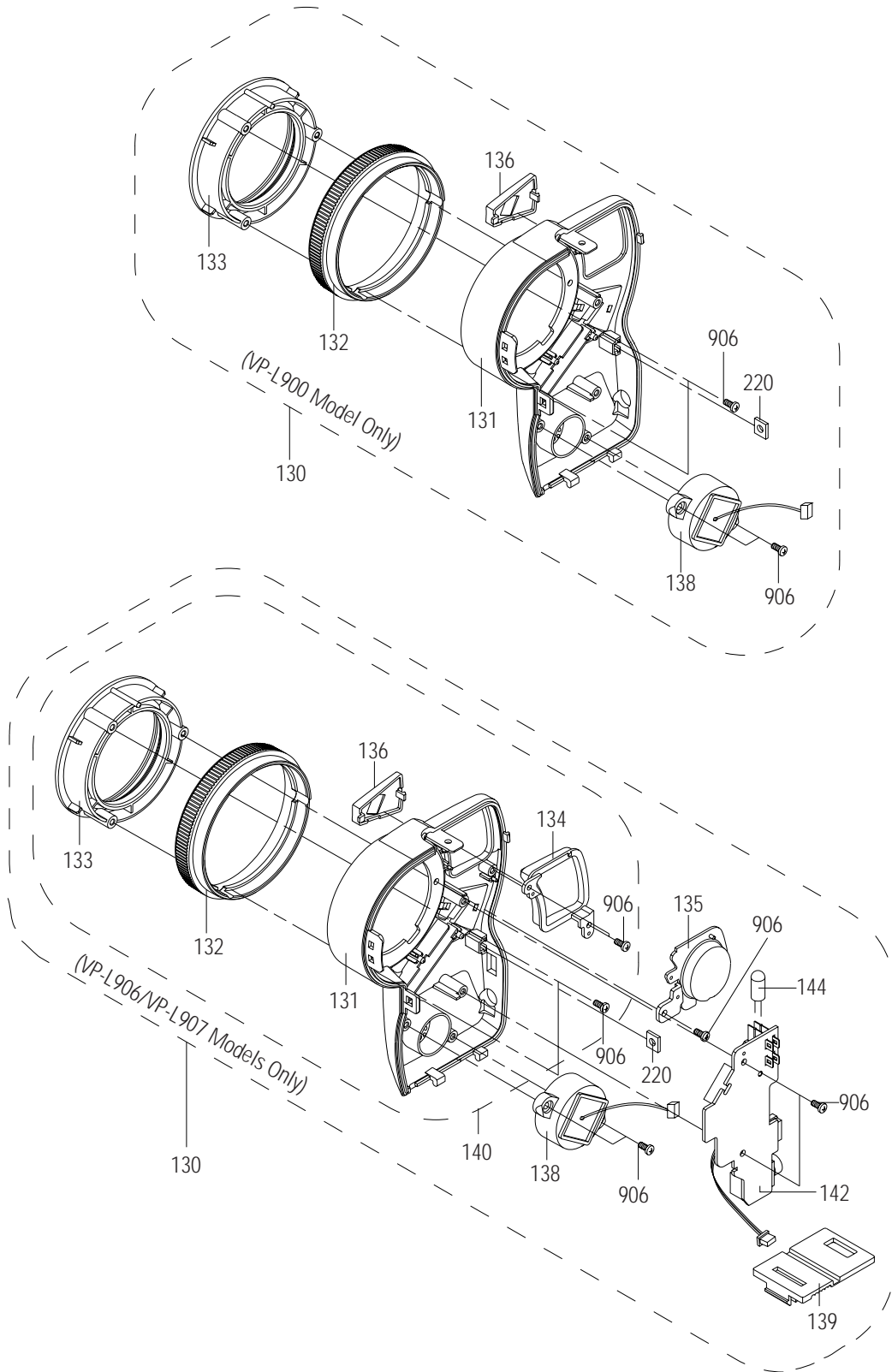
You can search for the updated part code through ITSELF web site.
URL; <http://itself.sec.samsung.co.kr>

3-1 Ass'y Chassis



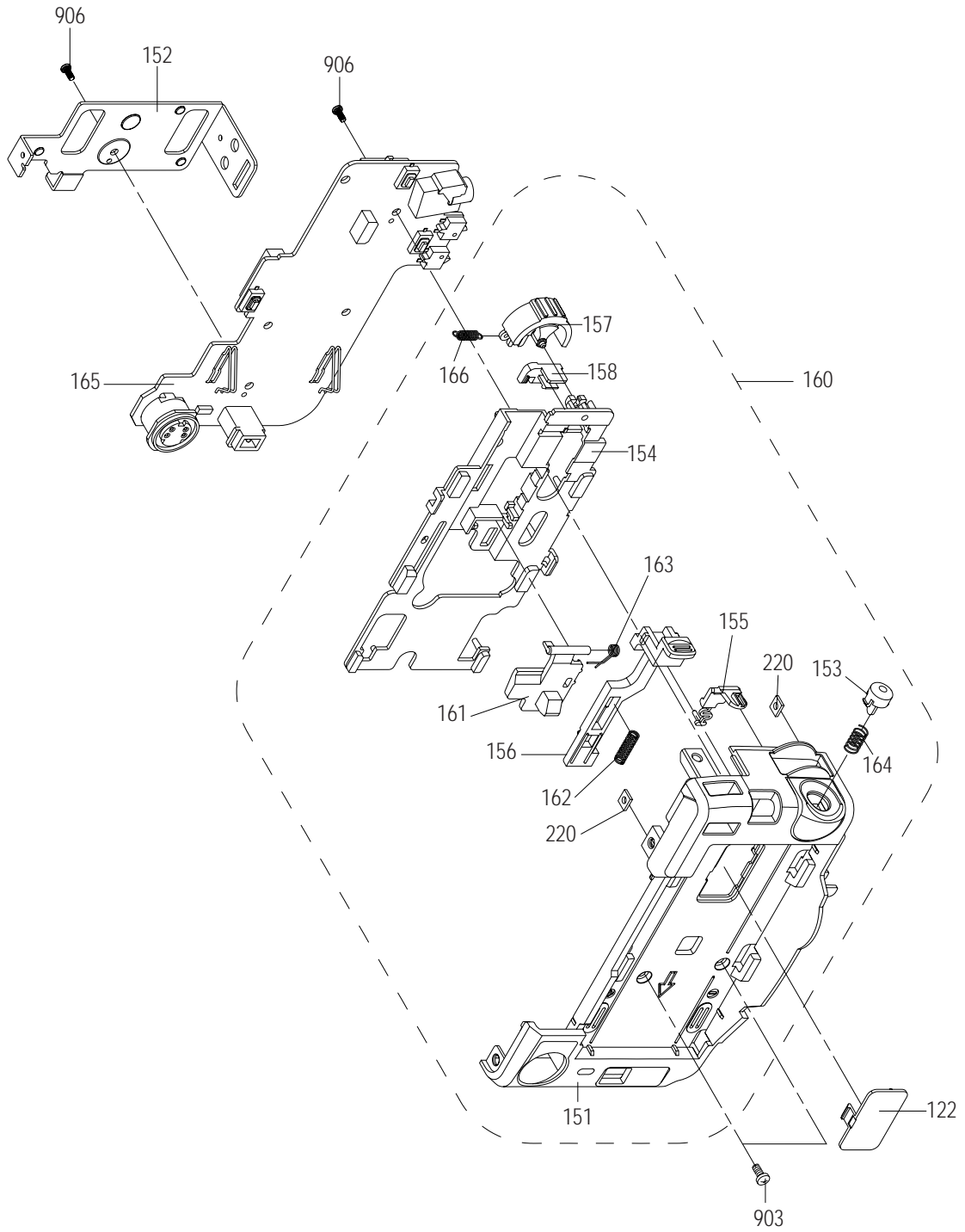
Loc. No	Parts No.	Description ; Specification	Remark
101	AD97-08128C	ASSY-MAIN BOARD;W8-PJ,VP-L900/XEU,PAL	VP-L900 Only
	AD97-08128P	ASSY-MAIN BOARD;W8-PJ,VP-L900/CHN,PAL	VP-L900/CHN Only
	AD97-08128D	ASSY-MAIN BOARD;W8-PJ,VP-L906/XEU,PAL	VP-L906 Only
	AD97-08128Q	ASSY-MAIN BOARD;W8-PJ,VP-L906/CHN,PAL	VP-L906/CHN Only
	AD97-08128B	ASSY-MAIN BOARD;W8-PJ,VP-L907/XEU,PAL	VP-L907 Only
	AD97-08128R	ASSY-MAIN BOARD;W8-PJ,VP-L907/CHN,PAL	VP-L907/CHN Only
112	AD97-01683A	ASSY-LENS-ZOOM;M-PRO,-,SEC-22X	
114	AD61-01547A	HOLDER-ZOOM LENS;SPIKE-PJ,ABS94HB,T1.5,3	
115	AD60-00034A	SPACER-CCD;M1-PJ,SILICON ,-, -,BLK,-,-,	
118	AD97-08382A	ASSY-CCD BOARD;-;W8-PJ,CCD B	
119	AD29-00027A	FILTER-OLPF;ZT06288,W8-PJ,-,-,7.3*7.8*2.	
120	AD97-08352A	ASSY-CHASSIS DECK;ASSY,W8-PJ,W8	
121	AD64-01138A	CHASSIS-DECK;SPIKE-PJ,ABS94HB,T1.2,95.6,	
124	AD61-01548A	BRACKET-GROUND;SPIKE-PJ,SPT T0.25,T0.25	
125	AD97-04461A	ASSY-DECK FPC;D10,W3/4-PJ,DECK FPC	
128	AD97-04462A	ASSY-ROTARY FPC;ROTARY,W3/4-PJ,FPC	
220	AC61-32047A	PLATE-NUT;SV-V40,SECC,T0.8,-,-,-	
250	AD61-01566A	CASE-TOP;SPIKE-PJ,ABS94HB,T1.5,110,31,G	
500	AD97-08337A	ASSY-DECK;-;DE-10A,NTSC	
904	6003-001444	SCREW-TAPTITE;BH,+;B,M2,L4,ZPC(BLK)	
905	6003-001443	SCREW-TAPTITE;BH,+;B,M2,L6,ZPC(BLK)	

3-2 Ass'y Front



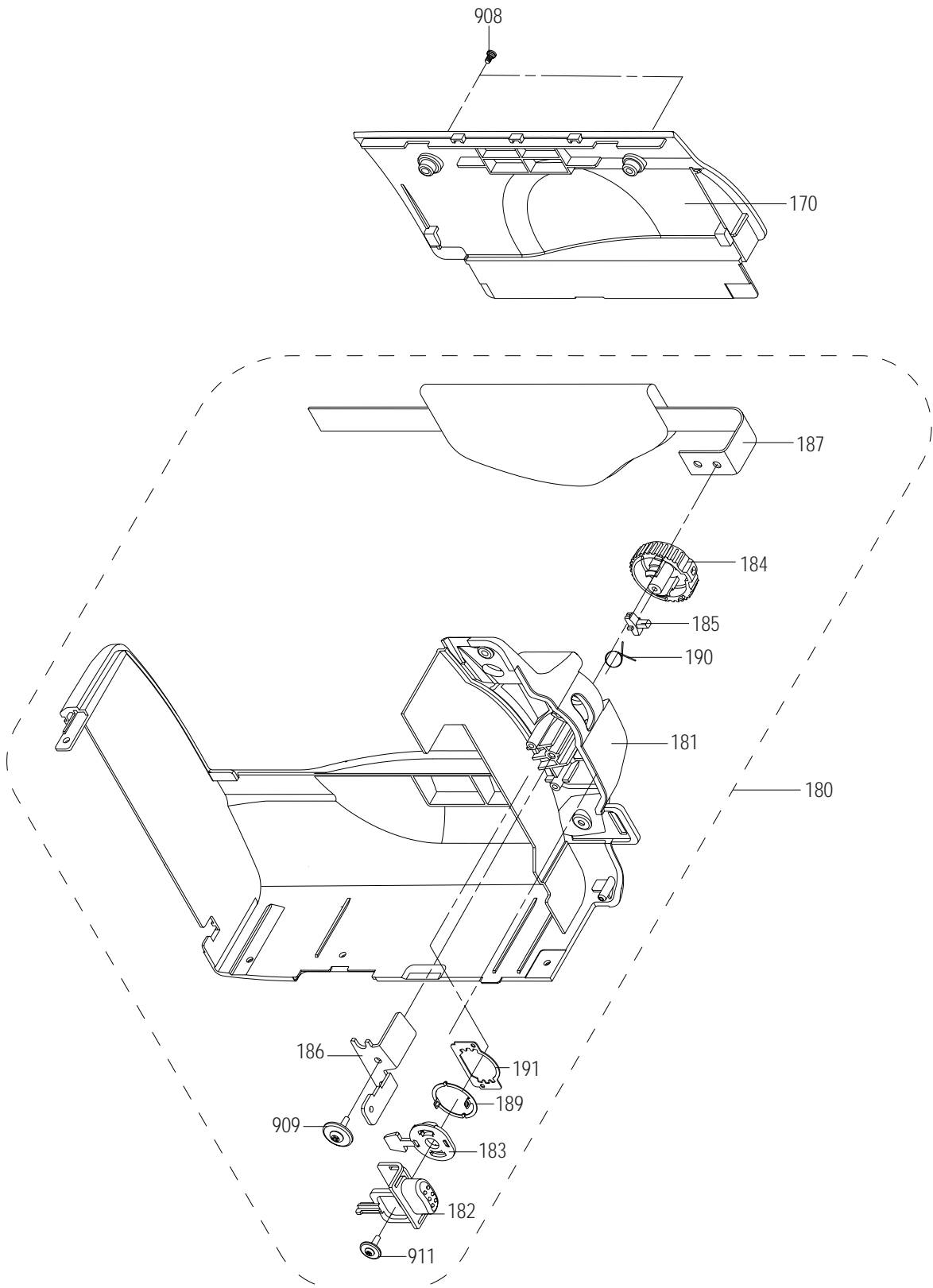
Loc. No	Parts No.	Description ; Specification	Remark
130	AD97-08357A	ASSY-FRONT;ASSY,W8-PJ,SC-L900	VP-L900 Only
	AD97-08357B	ASSY-FRONT;ASSY,W8-PJ,SC-L906	VP-L906 Only
	AD97-08357C	ASSY-FRONT;ASSY,W8-PJ,SC-L907	VP-L907 Only
131	AD61-01567A	CASE-FRONT;SPIKE-PJ,ABS94HB,T1.5,91.8,73	VP-L900 Only
	AD64-00693T	CASE-FRONT;W8,ABS94HB,T1.5,91.8,73.5,-,L	VP-L906 Only
	AD64-00693U	CASE-FRONT;W8,ABS94HB,T1.5,91.8,73.5,GRY	VP-L907 Only
132	AD67-00249A	LENS-HOOD;SPIKE-PJ,ABS94HB,NTR,47.2,T1.5	
133	AD61-01555A	HOLDER-HOOD;SPIKE-PJ,PC,T1.5,44.6,44.6,B	
134	AD64-00697A	MASK-LAMP;W3-PJ,PC,-,CLR,-	VP-L906/L907 Only
135	AD67-00156A	MIRROR-LAMP;W3-PJ,NYLON66(5232G),-,,-,-	VP-L906/L907 Only
136	AD64-01178A	INDICATOR-REMOCON;W8-PJ,PC,55,CLEAR,-,40	
138	AD97-04436A	ASSY-MIC;- ,W3/4-PJ,MONO	
139	AD61-01545A	HOLDER-WIRE;SPIKE-PJ,NYLON,T1.3,15,17.1,	VP-L906/L907 Only
140	AD97-08358B	ASSY-UNIT FRONT;ASSY,W8-PJ,SC-L906	VP-L906 Only
	AD97-08358C	ASSY-UNIT FRONT;ASSY,W8-PJ,SC-L907	VP-L907 Only
142	AD97-04472A	ASSY-FRONT BOARD;FRONT,W3-PJ,RMT O,LIGHT	VP-L906 Only
	AD97-08537A	ASSY-FRONT BOARD(USB);W8-PJ,VP-L907/SC-L	VP-L907 Only
144	4713-001152	LAMP-PURE XENON;6V,500mA,3W,WHT,50Lm,-,3	VP-L906/L907 Only
220	AC61-32047A	PLATE-NUT;SV-V40,SECC,T0.8,-,-,-,-	
906	6003-001445	SCREW-TAPTITE;PH,+,B,M2,L5,ZPC(BLK)	

3-3 Ass'y Rear



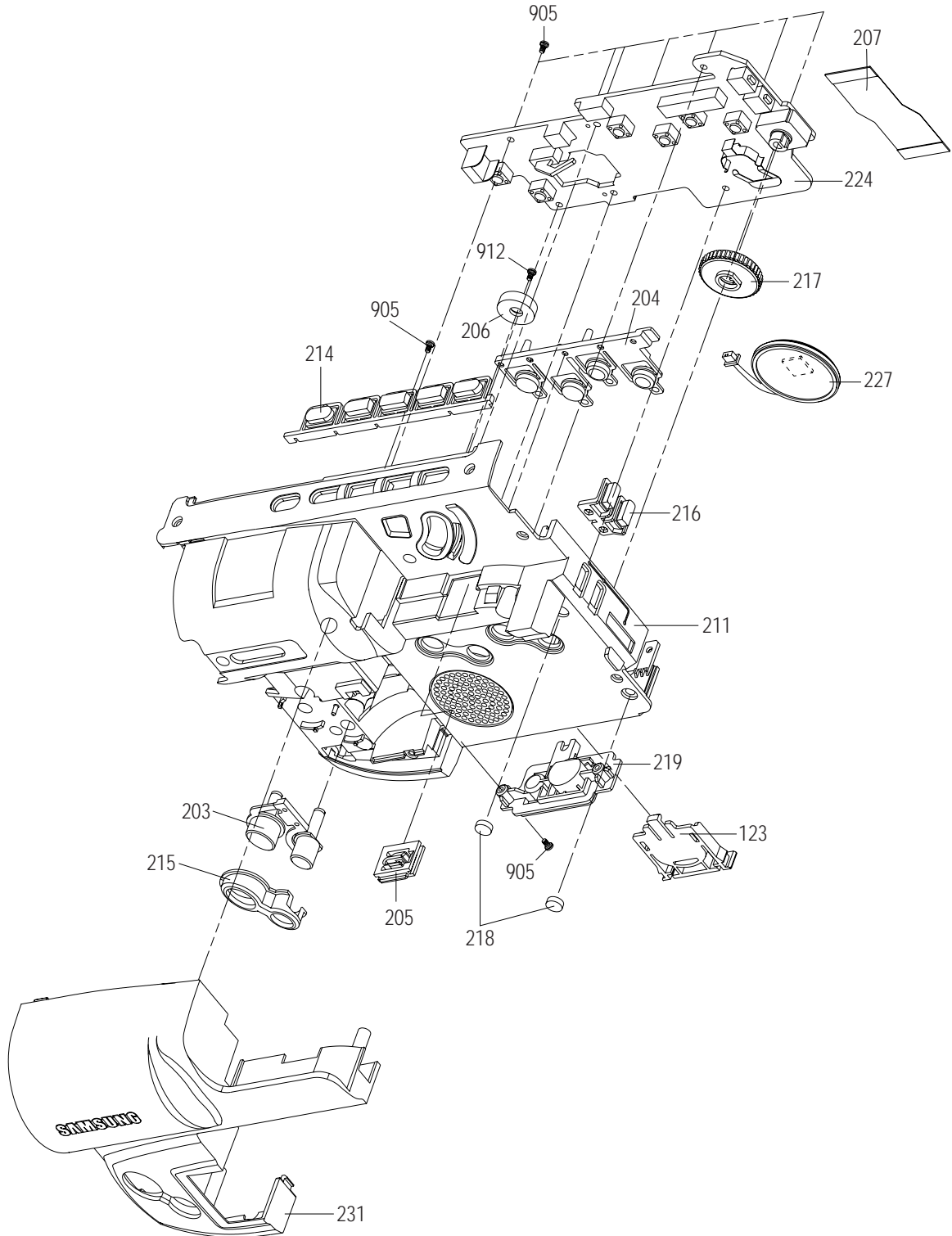
Loc. No	Parts No.	Description ; Specification	Remark
122	AD63-00546A	COVER-JIG;SPIKE-PJ,ABS94HB,T1.15,19.8,11	
151	AD61-01549A	CASE-REAR;SPIKE-PJ,ABS94HB,T1.5,103.8,53	VP-L900 Only
	AD61-01549B	CASE-REAR;W8-PJ,ABS94HB,T1.5,103.8,53,GR	VP-L906/L907 Only
152	AD61-01557A	BRACKET-REAR;SPIKE-PJ,SUS,T0.8,54.7,29.5	
153	AD64-00423A	BUTTON-SNAP SHOT;W-PJ,ABS 94HB,-,-,-,G35	
154	AD61-01553A	HOLDER-BATTERY;SPIKE-PJ,ABS94HB,T1.5,42.	
155	AD61-00574A	HOLDER-SNAP SHOT;W-PJ,-,-,-,-,POM NTR	
156	AD64-00431A	KNOB-BATTERY EJECT;W-PJ,ABS 94HB,-,-,-,-	
157	AD64-01141A	KNOB-ZOOM;ABS94HB,SPIKE-PJ,T1.5,21,18,-,	
158	AD61-01570A	HOLDER-ZOOM;SPIKE-PJ,POM,T1.5,18,14,BLK,	
160	AD97-08349A	ASSY-CASE REAR;ASSY,W8-PJ,SC-L900	VP-L900 Only
	AD97-08349B	ASSY-CASE REAR;ASSY,W8-PJ,SC-L906 S.SHOT	VP-L906/L907 Only
161	AD64-00182B	LOCKER-BATTERY;W-PJ,POM,BLK,-,-,-,-	
162	AD61-00218A	SPRING—BATTERY EJECT;-,-,M1-PJ,0.2,-,-,-,-	
163	AD61-00219A	SPRING—BATTERY LOCK;-,-,M1-PJ,0.2,-,-,-,-	
164	AD61-00220A	SPRING—SNAP SHOT;-,-,M1-PJ,0.2,-,-,-,-,-	
165	AD97-08361A	ASSY-REAR;ASSY,W8-PJ,SC-L900	
166	AD61-01633A	SPRING ETC-ZOOM;W8-PJ,STS304WPB,-,-,-,2.5,	
220	AC61-32047A	PLATE-NUT;SV-V40,SECC,T0.8,-,-,-,-	
903	6001-001708	SCREW-MACHINE;BH,+ ,M2,L5,ZPC(BLK)	
906	6003-001445	SCREW-TAPTITE;PH,+ ,B,M2,L5,ZPC(BLK)	

3-4 Ass'y Right



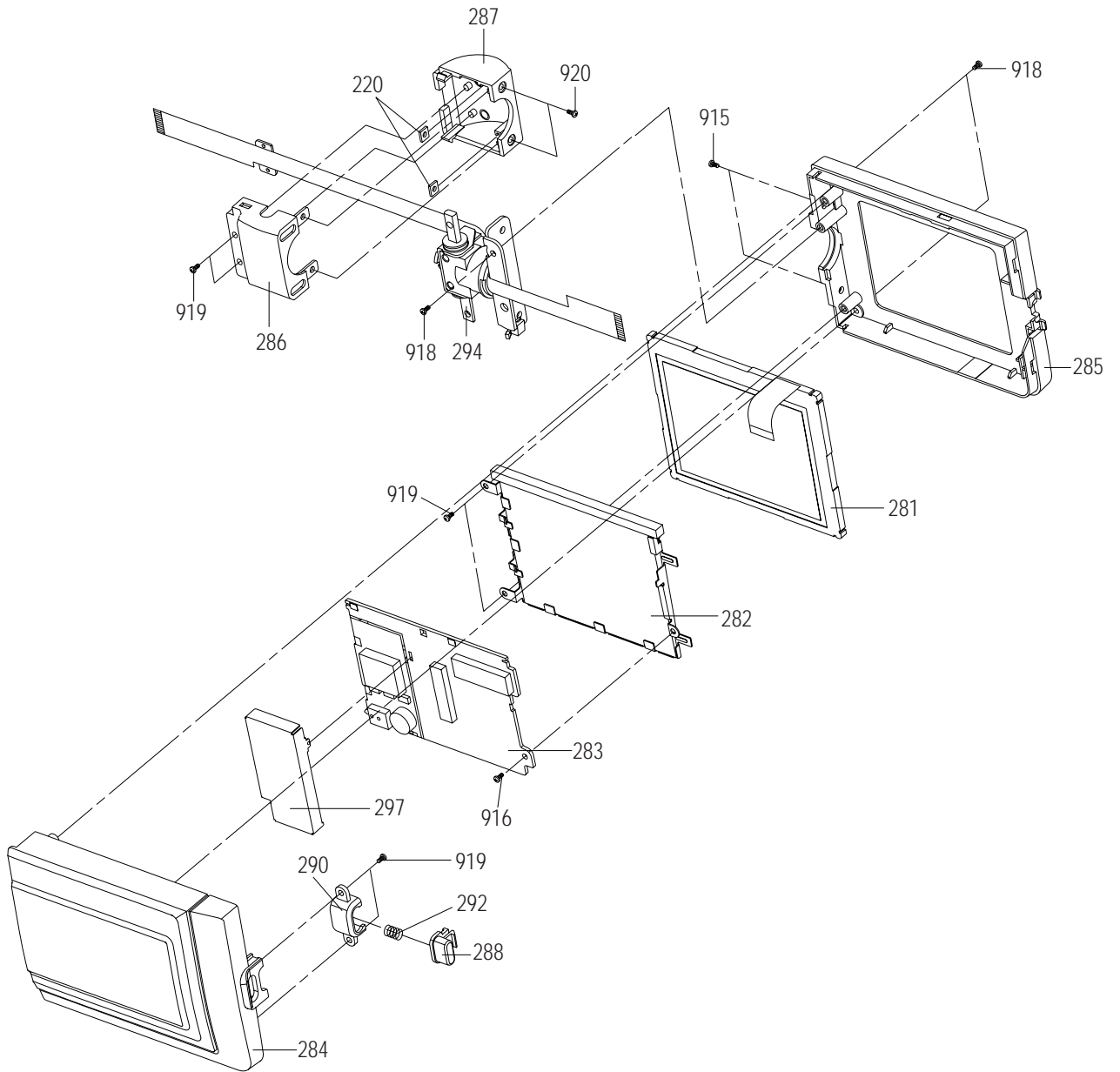
Loc. No	Parts No.	Description ; Specification	Remark
170	AD63-00543A	COVER-HOUSING;SPIKE-PJ,ABS94HB,T1.5,110,	
180	AD97-08356A	ASSY-CASE RIGHT;ASSY,W8-PJ,SC-L900	
181	AD61-01565A	CASE-RIGHT;SPIKE-PJ,ABS94HB,T1.5,149.4,1	
182	AD64-00424A	BUTTON-REC/STOP;W-PJ,ABS 94HB,-,-,-,G353	
183	AD61-00905A	HOLDER-POWER;W3-PJ,-,POM,-,-,BLK,POM	
184	AD64-00695A	KNOB-POWER;W3-PJ,ABS 94HB,-,-,-,G3532,	
185	AD64-00696A	LOCKER-POWER;W3-PJ,ABS94HB,GREEN,-,-,-	
186	AD61-00214A	BRACKET-GRIP BACK;M1-PJ,-,T0.8,-,-,-,SUS	
187	AD59-00044C	UNIT-BELT GRIP;W3-PJ,-,-,-,-,-,-,-,S	
189	AD61-00906A	PLATE-SPRING POWER;W3-PJ,SUS 301 T0.2,0.	
190	AD61-00915A	SPRING ETC-LOCK POWER;W3/4-PJ,SUS304 WPB	
191	AD61-01568A	PLATE-POWER;SPIKE-PJ,SUS,T0.6,12.3,18.9,	
908	6001-001832	SCREW-MACHINE;BH,+ ,M1.7,L5.5,ZPC(BLK),SW	
909	6003-001454	SCREW-TAPTITE;PWH,+ ,B,M2,L6,ZPC(BLK)	
911	6003-001455	SCREW-TAPTITE;PWH,+ ,B,M2,L5,ZPC(BLK)	

3-5 Ass'y Left



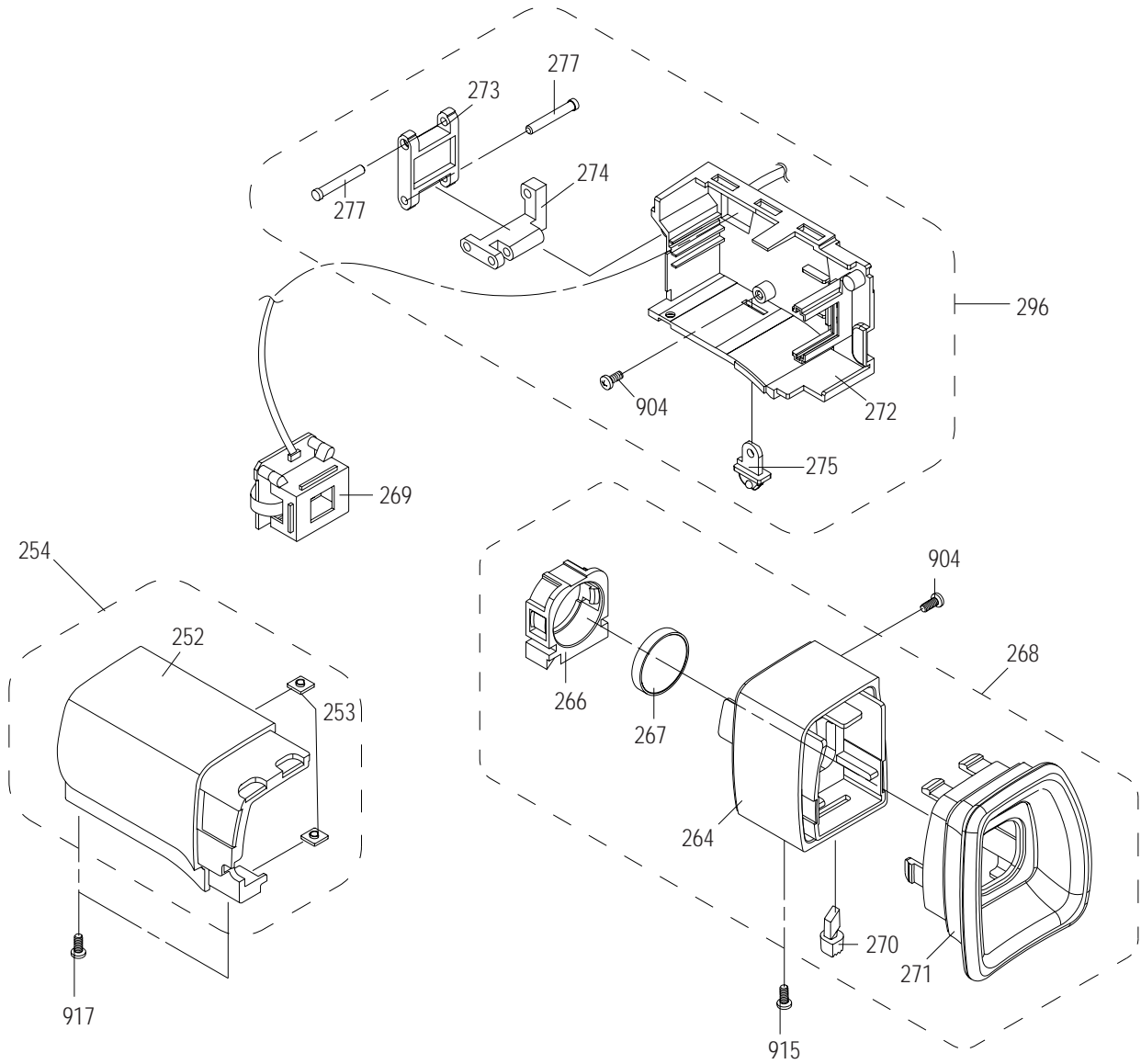
Loc. No	Parts No.	Description ; Specification	Remark
123	AD63-00065C	COVER-LI BATTERY;W-PJ,-,-,-,-,-,ABS94H	
203	AD64-00753A	BUTTON-EASY(W4);W3-PJ,ABS 94HB,-,-,NTR,-	
204	AD64-01142A	BUTTON-FUNCTION;SPIKE-PJ,ABS94HB,59.3X25	
205	AD61-00600A	HOLDER-LOCK EVF;W-PJ,POM,-,-,-,-,-,POM GRY	
206	AD61-01639A	RAIL-EVF;W8,POM,3.4,-,D12,BLACK,-	
207	3809-001236	CABLE-FLAT;30V,-20to+80C,120mm,19P,1mm,U	
211	AD61-01559A	CASE-LEFT;SPIKE-PJ,ABS94HB,T1.5,134.2,10	VP-L900 Only
	AD61-01559B	CASE-LEFT;W8-PJ,ABS94HB,T1.5,134.2,104,G	VP-L906/L907 Only
214	AD64-01139A	BUTTON-VCR;SPIKE-PJ,ABS94HB+PC,78.7X10.6	
215	AD64-00755A	KNOB-DUMMY(W4);W3-PJ,ABS 94HB,-,-,-,-,-,	
216	AD64-01140A	BUTTON-MENU;SPIKE-PJ,ABS94HB,10X16.2X10.	
217	AD64-00240C	KNOB-DIAL MENU(M2);W-PJ,ABS94HB G3532,-,	
218	AD69-00045A	PAD—LCD;CS99V,-,-,-,-,-,SILICONE	
219	AD61-01551A	BASE-TRIPOD;SPIKE-PJ,PC,9,42,25.7,GRY,-	
224	AD97-08261B	ASSY-FUNCTION BOARD;W8-PJ,VP-L901,RMT X	VP-L900 Only
	AD97-08261A	ASSY-FUNCTION BOARD;W8-PJ,VP-L907,PAL/NT	VP-L906/L907 Only
227	AD97-08212A	ASSY-SPEAKER;SPIKE-PJ,VP-L900,SPEAKER	
231	AD97-08343D	ASSY-COVER LEFT;ASSY,W8-PJ,VP-L901	VP-L900 Only
	AD97-08343E	ASSY-COVER LEFT;ASSY,W8-PJ,VP-L906	VP-L906 Only
	AD97-08343F	ASSY-COVER LEFT;ASSY,W8-PJ,VP-L907	VP-L907 Only
905	6003-001443	SCREW-TAPTITE;BH,+ ,B,M2,L6,ZPC(BLK)	
912	6003-001448	SCREW-TAPTITE;BH,+ ,B,M2,L6,ZPC(BLK)	

3-6 Ass'y LCD



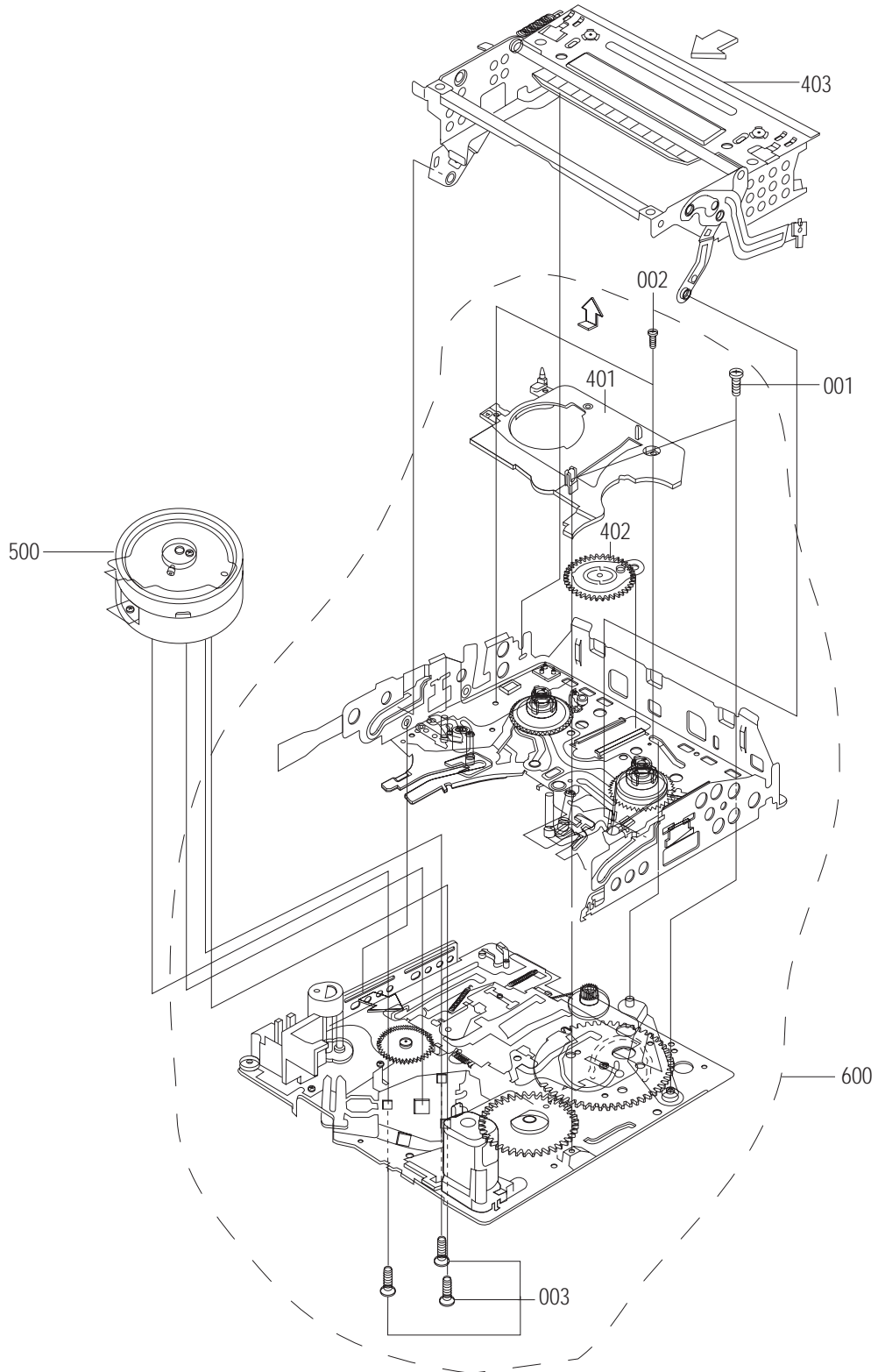
Loc. No	Parts No.	Description ; Specification	Remark
220	AC61-32047A	PLATE-NUT;SV-V40,SECC,T0.8,-,-,-,-	
281	AD07-00026A	LCD;COD25T2036LC,W4-PJ,559*226,61.	
282	AD97-08364A	ASSY-BACK LIGHT;ASSY-BACK LIGHT,W8-PJ,-	
283	AD97-08256A	ASSY-LCD BOARD;W8-PJ,VP-L907,PAL	
284	AD61-01563A	CASE-LCD TOP;SPIKE-PJ,ABS94HB,T1.5,77.3,	
285	AD61-01564B	CASE-LCD BOTTOM;W8-PJ,ABS94HB,T1.5,76.3,	
286	AD63-00188G	COVER-HINGE TOP;W6-PJ,ABS94HB,1.5,24,21.	
287	AD63-00190A	COVER-HINGE BOTTOM;W2-PJ,-,-,-,-,-,ABS	
288	AD64-00445A	BUTTON-LCD LOCK;W2-PJ,ABS 94HB,-,-,-,-	
290	AD61-00585A	GUIDE-LCD LOCK;W2-PJ,POM,-,-,-,BLK	
292	AD61-00344A	SPRING-LCD-LOCK;M2-PJ,SWPB,d0.35,-,-,-,-	
294	AD97-08363A	ASSY-HINGE;ASSY-HINGE,W8-PJ,-	
297	AD63-00548A	SHIELD CASE-LCD TOP;SPIKE-PJ,SPTe,T0.25,	
915	6001-001707	SCREW-MACHINE;BH,+,M2,L4,ZPC(BLK)	
916	6001-001710	SCREW-MACHINE;BH,+,M1.7,L3,ZPC(YEL)	
918	6003-001442	SCREW-TAPTITE;BH,+,B,M1.7,L6,ZPC(BLK)	
919	6003-001453	SCREW-TAPTITE;BH,+,B,M1.7,L4,ZPC(BLK)	
920	6001-001291	SCREW-MACHINE;CH(0.5),*,M1.7,L4,NI PLT,S	

3-7 Ass'y EVF



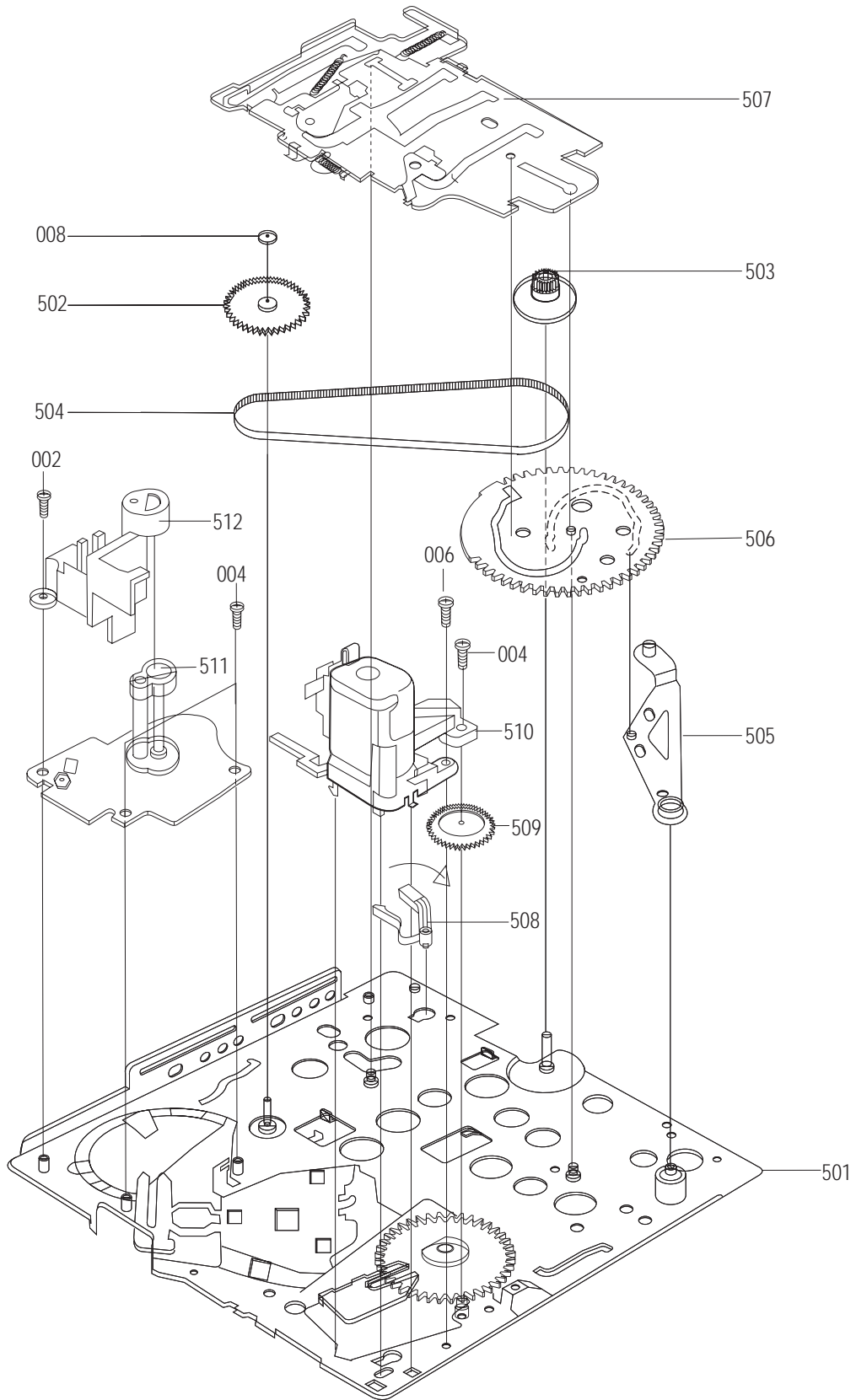
Loc. No	Parts No.	Description ; Specification	Remark
252	AD61-01561A	CASE-EVF LEFT;SPIKE-PJ,ABS94HB,T1.5,53.7	
253	AC61-32047A	PLATE-NUT;SV-V40,SECC,T0.8,-,-,-,-	
254	AD97-08412A	ASSY-EVF LEFT;ASSY,W8-PJ,SC-L900	
264	AD61-01552A	GUIDE-LENS;SPIKE-PJ,ABS94HB,T1.5,28.7,33	
266	AD61-01569A	HOLDER-EVF LENS;SPIKE-PJ,ABS94HB,7.2,19.	
267	AD67-00250A	LENS-EVF 18X-G1;SHML-PJ,PMMA,WHITE,15,6,	
268	AD97-08413A	ASSY-UNIT GUIDE LENS;ASSY,W8-PJ,SC-L900	
269	AD97-08642A	ASSY-UNIT-EVF;0.24 PAL,W8-PJ,UNIT-EVF	
270	AD64-00451A	KNOB-EVF;W1-PJ,POM,-,-,-,-,-,-	
271	AD73-00116A	RUBBER-EYE CUP;SPIKE-PJ,TPE,26.5X42.5XT1	
272	AD61-01562A	CASE-EVF RIGHT;SPIKE-PJ,ABS94HB,T1.5,53.	
273	AD66-00105A	LINK-EVF;W1-PJ,POM BLK,-,-,-,-,-	
274	AD66-00106A	LINK-LOCK;W1-PJ,ABS 94HB,-,-,-,-,-	
275	AD64-00458B	LOCKER-EVF;W5/6-PJ,PC,-,-,-,-,-	
277	AD61-00297A	SHAFT-EVF;CS2000,SUS303,-,-,-,-,-	
296	AD97-08420A	ASSY-EVF RIGHT;ASSY,W8-PJ,W8	
904	6003-001444	SCREW-TAPTITE;BH,+,B,M2,L4,ZPC(BLK)	
915	6001-001707	SCREW-MACHINE;BH,+,M2,L4,ZPC(BLK)	
917	6001-001716	SCREW-MACHINE;BH,+,M2,L4,NI PLT	

3-8 Mechanical Parts (Housing Parts)



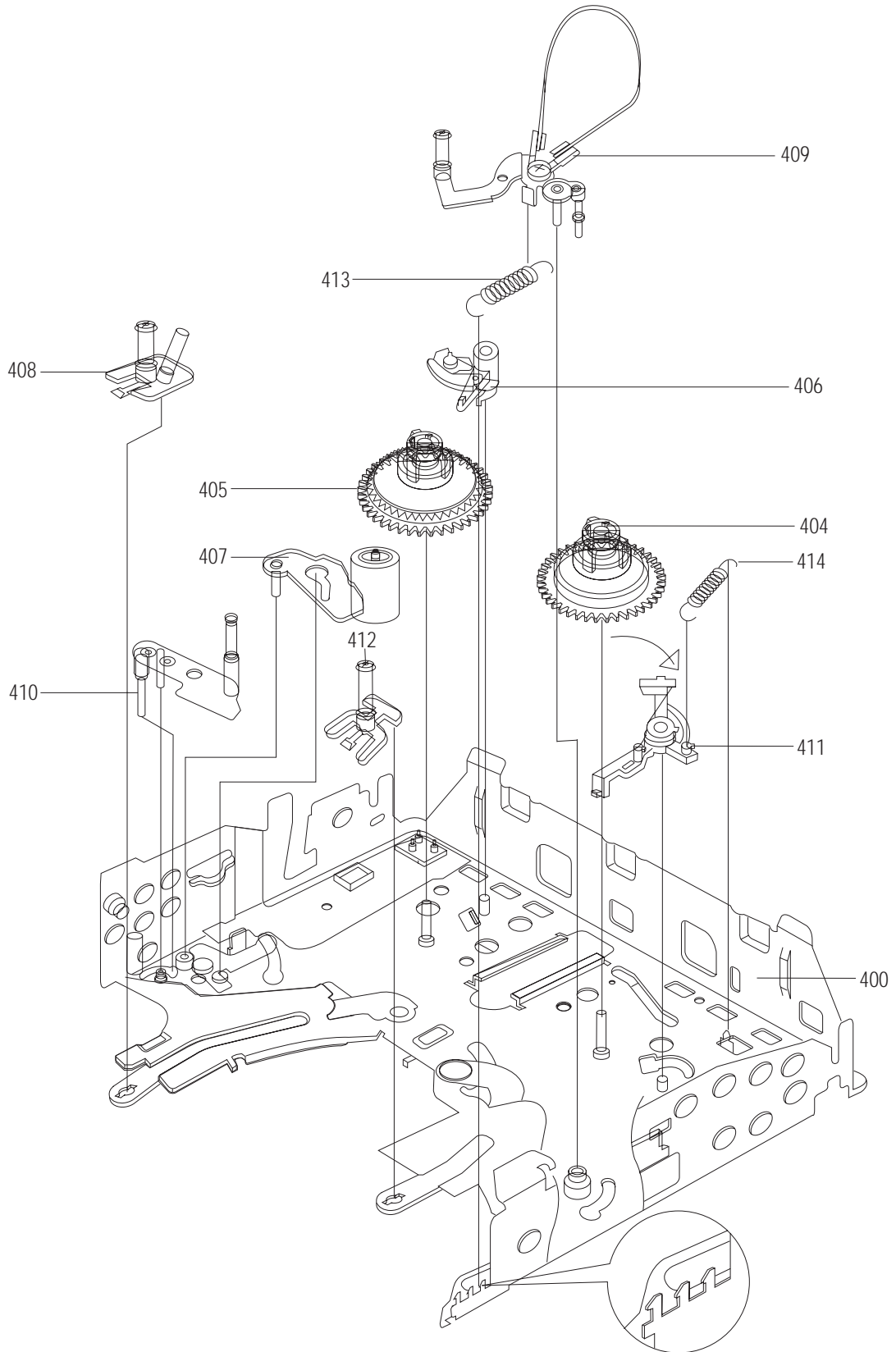
Loc. No	Parts No.	Description ; Specification	Remark
001	6009-001287	SCREW-SPECIAL;SM45C,2,TH,+,M1.4,L3.9(3.2	
002	6001-001575	SCREW-MACHINE;PH,+,M1.4,L3.5,ZPC(WHT),SW	
003	6001-001417	SCREW-MACHINE;PH,+,M2,L5,ZPC(YEL),NYLOK,	
401	AD97-04500A	ASSY-COVER-REEL;SUS+ETC,DE-10,ASSY	
402	AD97-04498A	ASSY-IDLER;POM+ETC,DE-10,ASSY	
403	AD97-08265A	ASSY-HOUSING;ASSY,DE-10A,-	
500	AD97-08416A	ASSY-DRUM-PAL;- ,DE-10A,PAL	
600	AD97-08385A	ASSY-SEMI-DECK;- ,DE-10A,ASSY	

3-9 Mechanical Parts (Main Chassis)



Loc. No	Parts No.	Description ; Specification	Remark
501	AD97-05117A	ASSY-MAIN-CHASSIS;SECC+ETC,DE-10,ASSY	
502	AD66-00141A	GEAR-CAPSTAN;DE-10,PA(1724K),0.4,35,-,-,-	
503	AD66-00142A	GEAR-PULLEY;DE-10,DURACON M90-44,0.3,18,	
504	AC66-62001A	BELT-TIMMING;POLYURETHAN,L137 T0.4,-,-,-	
505	AD66-00130A	LEVER-CAM;DE-10,SUS430 CP,0.6,-,-,-,-	
506	AD66-00140A	GEAR-CAM MAIN;DE-10,ZYTEL 70G-43L,0.5,51	
507	AD97-04496A	ASSY-SLIDE-MAIN;SECC+ETC,DE-10,ASSY	
508	AD66-00131A	LEVER-EJECT;DE-10,DURANEX #3300,-,-,-,-	
509	AD66-00139A	GEAR-LOADING;DE-10,DURACON M90-44,0.4,37	
510	AD97-04504A	ASSY-LOADING-MOTOR;MOTOR+TEC,DE-10,ASSY	
511	AD97-04554A	ASSY-CAPSTAN-MOTOR;-,-,DE-10,ASSY	
	AD97-04555A	ASSY-CAPSTAN MOTOR;-,-,DE-10,ASSY	
512	AD61-00950A	HOLDER-FPC SUB;DE-10,POM,POM,-,-,-,NATURAL	

3-10 Mechanical Parts (Sub Chassis)



Loc. No	Parts No.	Description ; Specification	Remark
400	AD97-08271A	ASSY-SUB-CHASSIS;ASSY,DE-10A,-	
404	AD97-08266A	ASSY-REEL-S;ASSY,DE-10A,-	
405	AD97-08267A	ASSY-REEL-T;ASSY,DE-10A,-	
406	AD97-08268A	ASSY-BRAKE-SOFT-T;ASSY,DE-10A,-	
407	AD97-04490A	ASSY-ARM-PINCH;- ,DE-10,SUS+ETC	
408	AD97-04491A	ASSY-POLE-BASE T;- ,DE-10,PPS+ETC	
409	AD97-04493A	ASSY-ARM-TENSION;- ,DE-10,ASSY	
410	AD97-04494A	ASSY-ARM-REVIEW;SUS+ETC,DE-10,ASSY	
411	AD97-04499A	ASSY-BRAKE-SUB S;DURACON+ETC,DE-10,ASSY	
412	AD97-08272A	ASSY-POLE-BASE-S;ASSY,DE-10A,-	
413	AD61-00922A	SPRING ETC-TENSION;DE-10,SWPB,-,-,-,-,-,-,	
414	AC61-62022A	SPRING ETC-SOFT BRAKE(S);SC-W73,SUS,-,-,-,	

MEMO

4. Electrical Parts List

Loc.No	Part No	Description ; Specification	Remark	Loc.No	Part No	Description ; Specification	Remark
101	AD97-08128C	ASSY-MAIN BOARD:W8-PJ,VP-L900/XEU,PAL	VP-L900 Only	C202	2404-001254	C-TA,CHIP:220uF,20%,2.5V,-,TP:3.5(L)X2.8	
	AD97-08128P	ASSY-MAIN BOARD:W8-PJ,VP-L900/CHN,PAL	VP-L900/CHN Only	C203	2404-001254	C-TA,CHIP:220uF,20%,2.5V,-,TP:3.5(L)X2.8	
	AD97-08128D	ASSY-MAIN BOARD:W8-PJ,VP-L906/XEU,PAL	VP-L906 Only	C204	2404-001020	C-TA,CHIP:10uF,20%,10V,GP,TP,3216	
	AD97-08128Q	ASSY-MAIN BOARD:W8-PJ,VP-L906/CHN,PAL	VP-L906/CHN Only	C205	2203-005148	C-CER,CHIP:100nF,10%,16V,X7R,TP,1608,-	
	AD97-08128B	ASSY-MAIN BOARD:W8-PJ,VP-L907/XEU,PAL	VP-L907 Only	C206	2203-000257	C-CER,CHIP:10nF,10%,50V,X7R,TP,1608	
	AD97-08128R	ASSY-MAIN BOARD:W8-PJ,VP-L907/CHN,PAL	VP-L907/CHN Only	C207	2404-001039	C-TA,CHIP:47uF,20%,6.3V,GP,TP,3528,-	
C101	2203-000189	C-CER,CHIP:100nF,+80-20%,25V,Y5V,TP,1608		C208	2404-001020	C-TA,CHIP:10uF,20%,10V,GP,TP,3216	
C105	2203-000257	C-CER,CHIP:10nF,10%,50V,X7R,TP,1608		C209	2203-000257	C-CER,CHIP:10nF,10%,50V,X7R,TP,1608	
C106	2203-000888	C-CER,CHIP:4.7nF,10%,50V,X7R,TP,1608		C210	2203-005627	C-CER,CHIP:470nF,10%,10V,X5R,TP,1608	
C107	2203-000257	C-CER,CHIP:10nF,10%,50V,X7R,TP,1608		C211	2203-000257	C-CER,CHIP:10nF,10%,50V,X7R,TP,1608	
C108	2404-001020	C-TA,CHIP:10uF,20%,10V,GP,TP,3216		C212	2203-000257	C-CER,CHIP:10nF,10%,50V,X7R,TP,1608	
C109	2203-000189	C-CER,CHIP:100nF,+80-20%,25V,Y5V,TP,1608		C213	2404-000232	C-TA,CHIP:4.7uF,20%,10V,-,TP,3216	
C110	2404-001020	C-TA,CHIP:10uF,20%,10V,GP,TP,3216		C214	2203-000257	C-CER,CHIP:10nF,10%,50V,X7R,TP,1608	
C111	2203-000257	C-CER,CHIP:10nF,10%,50V,X7R,TP,1608		C215	2404-001020	C-TA,CHIP:10uF,20%,10V,GP,TP,3216	
C112	2404-001020	C-TA,CHIP:10uF,20%,10V,GP,TP,3216		C216	2203-005627	C-CER,CHIP:470nF,10%,10V,X5R,TP,1608	
C113	2203-000189	C-CER,CHIP:100nF,+80-20%,25V,Y5V,TP,1608		C219	2203-000257	C-CER,CHIP:10nF,10%,50V,X7R,TP,1608	
C114	2203-000257	C-CER,CHIP:10nF,10%,50V,X7R,TP,1608		C401	2203-005148	C-CER,CHIP:100nF,10%,16V,X7R,TP,1608,-	
C115	2203-000604	C-CER,CHIP:22nF,10%,25V,X7R,TP,1608		C402	2203-000257	C-CER,CHIP:10nF,10%,50V,X7R,TP,1608	
C116	2203-000604	C-CER,CHIP:22nF,10%,25V,X7R,TP,1608		C501	2203-000189	C-CER,CHIP:100nF,+80-20%,25V,Y5V,TP,1608	
C117	2203-000257	C-CER,CHIP:10nF,10%,50V,X7R,TP,1608		C505	2203-000257	C-CER,CHIP:10nF,10%,50V,X7R,TP,1608	
C118	2404-001020	C-TA,CHIP:10uF,20%,10V,GP,TP,3216		C506	2203-000257	C-CER,CHIP:10nF,10%,50V,X7R,TP,1608	
C119	2203-000189	C-CER,CHIP:100nF,+80-20%,25V,Y5V,TP,1608		C507	2203-006035	C-CER,CHIP:220nF,+10%,10V,X7R,TP,1608	
C120	2203-000257	C-CER,CHIP:10nF,10%,50V,X7R,TP,1608		C508	2203-000975	C-CER,CHIP:47nF,10%,25V,X7R,TP,1608,-	
C121	2203-000257	C-CER,CHIP:10nF,10%,50V,X7R,TP,1608		C509	2203-002793	C-CER,CHIP:1000nF,+80-20%,25V,Y5V,TP,201	
C130	2203-000315	C-CER,CHIP:0.12nF,5%,50V,COG,TP,1608		C510	2203-000715	C-CER,CHIP:3.3nF,10%,50V,X7R,TP,1608,-	
C132	2203-000357	C-CER,CHIP:0.15nF,5%,50V,COG,TP,1608		C511	2203-000189	C-CER,CHIP:100nF,+80-20%,25V,Y5V,TP,1608	
C133	2203-000236	C-CER,CHIP:0.1nF,5%,50V,COG,TP,1608		C512	2203-000491	C-CER,CHIP:2.2nF,10%,50V,X7R,TP,1608,-	
C134	2203-000189	C-CER,CHIP:100nF,+80-20%,25V,Y5V,TP,1608		C513	2203-000491	C-CER,CHIP:2.2nF,10%,50V,X7R,TP,1608,-	
C136	2203-001683	C-CER,CHIP:0.068nF,5%,50V,NPO,TP,1608		C514	2203-000491	C-CER,CHIP:2.2nF,10%,50V,X7R,TP,1608,-	
C140	2203-000257	C-CER,CHIP:10nF,10%,50V,X7R,TP,1608		C516	2203-002793	C-CER,CHIP:1000nF,+80-20%,25V,Y5V,TP,201	
C141	2203-000257	C-CER,CHIP:10nF,10%,50V,X7R,TP,1608		C517	2203-000975	C-CER,CHIP:47nF,10%,25V,X7R,TP,1608,-	
C142	2203-000257	C-CER,CHIP:10nF,10%,50V,X7R,TP,1608		C518	2203-000888	C-CER,CHIP:4.7nF,10%,50V,X7R,TP,1608	
C143	2203-000257	C-CER,CHIP:10nF,10%,50V,X7R,TP,1608		C520	2203-000189	C-CER,CHIP:100nF,+80-20%,25V,Y5V,TP,1608	
C151	2203-000257	C-CER,CHIP:10nF,10%,50V,X7R,TP,1608		C522	2203-000189	C-CER,CHIP:100nF,+80-20%,25V,Y5V,TP,1608	
C152	2203-000332	C-CER,CHIP:0.012nF,5%,50V,COG,TP,1608		C523	2203-000189	C-CER,CHIP:100nF,+80-20%,25V,Y5V,TP,1608	
C153	2203-000257	C-CER,CHIP:10nF,10%,50V,X7R,TP,1608		C524	2203-000189	C-CER,CHIP:100nF,+80-20%,25V,Y5V,TP,1608	
C154	2203-000626	C-CER,CHIP:0.022nF,5%,50V,COG,TP,1608		C525	2203-000189	C-CER,CHIP:100nF,+80-20%,25V,Y5V,TP,1608	
C155	2203-001408	C-CER,CHIP:0.27nF,5%,50V,NPO,TP,1608		C526	2203-000189	C-CER,CHIP:100nF,+80-20%,25V,Y5V,TP,1608	
C156	2203-000041	C-CER,CHIP:0.011nF,0.25pF,50V,COG,TP,1608		C527	2203-000189	C-CER,CHIP:100nF,+80-20%,25V,Y5V,TP,1608	
C161	2203-000998	C-CER,CHIP:0.047nF,5%,50V,COG,TP,1608		C528	2203-000189	C-CER,CHIP:100nF,+80-20%,25V,Y5V,TP,1608	
C162	2203-000257	C-CER,CHIP:10nF,10%,50V,X7R,TP,1608		C529	2203-000257	C-CER,CHIP:10nF,10%,50V,X7R,TP,1608	
C163	2203-001408	C-CER,CHIP:0.27nF,5%,50V,NPO,TP,1608		C530	2203-001662	C-CER,CHIP:5.6nF,10%,50V,X7R,TP,1608	
C167	2203-000257	C-CER,CHIP:10nF,10%,50V,X7R,TP,1608		C531	2203-000888	C-CER,CHIP:4.7nF,10%,50V,X7R,TP,1608	
C171	2203-000257	C-CER,CHIP:10nF,10%,50V,X7R,TP,1608		C532	2203-001103	C-CER,CHIP:6.8nF,10%,50V,X7R,TP,1608,-	
C172	2203-000257	C-CER,CHIP:10nF,10%,50V,X7R,TP,1608		C533	2203-000257	C-CER,CHIP:10nF,10%,50V,X7R,TP,1608	
C173	2203-002605	C-CER,CHIP:0.008nF,0.25pF,50V,NPO,TP,1608		C534	2203-000257	C-CER,CHIP:10nF,10%,50V,X7R,TP,1608	
C174	2203-000236	C-CER,CHIP:0.1nF,5%,50V,COG,TP,1608		C535	2203-000257	C-CER,CHIP:10nF,10%,50V,X7R,TP,1608	
C175	2203-000041	C-CER,CHIP:0.011nF,0.25pF,50V,COG,TP,1608		C538	2203-000257	C-CER,CHIP:10nF,10%,50V,X7R,TP,1608	
C176	2203-001071	C-CER,CHIP:0.056nF,5%,50V,COG,TP,1608		C601	2203-002793	C-CER,CHIP:1000nF,+80-20%,25V,Y5V,TP,201	
C178	2203-001071	C-CER,CHIP:0.056nF,5%,50V,COG,TP,1608		C603	2203-000257	C-CER,CHIP:10nF,10%,50V,X7R,TP,1608	
C179	2203-000257	C-CER,CHIP:10nF,10%,50V,X7R,TP,1608		C605	2203-000189	C-CER,CHIP:100nF,+80-20%,25V,Y5V,TP,1608	
C180	2203-005186	C-CER,CHIP:2.2uF,10%,16V,X7R,TP,3216,-		C606	2404-001039	C-TA,CHIP:47uF,20%,6.3V,GP,TP,3528,-	
C181	2404-001039	C-TA,CHIP:47uF,20%,6.3V,GP,TP,3528,-		C610	2203-000384	C-CER,CHIP:0.015nF,5%,50V,COG,TP,1608	
C186	2203-001052	C-CER,CHIP:0.56nF,10%,50V,X7R,TP,1608		C611	2203-000384	C-CER,CHIP:0.015nF,5%,50V,COG,TP,1608	
C187	2203-000257	C-CER,CHIP:10nF,10%,50V,X7R,TP,1608		C612	2203-002793	C-CER,CHIP:1000nF,+80-20%,25V,Y5V,TP,201	
C189	2203-002605	C-CER,CHIP:0.008nF,0.25pF,50V,NPO,TP,1608		C614	2203-000189	C-CER,CHIP:100nF,+80-20%,25V,Y5V,TP,1608	
C190	2203-001086	C-CER,CHIP:0.005nF,0.25pF,50V,NPO,TP,1608		C615	2203-000189	C-CER,CHIP:100nF,+80-20%,25V,Y5V,TP,1608	
C191	2203-000257	C-CER,CHIP:10nF,10%,50V,X7R,TP,1608		C616	2203-000440	C-CER,CHIP:1nF,10%,50V,X7R,TP,1608,-	
C192	2203-000405	C-CER,CHIP:0.18nF,5%,50V,COG,TP,1608		C617	2203-000440	C-CER,CHIP:1nF,10%,50V,X7R,TP,1608,-	
C193	2203-000257	C-CER,CHIP:10nF,10%,50V,X7R,TP,1608		C618	2203-002793	C-CER,CHIP:1000nF,+80-20%,25V,Y5V,TP,201	
C201	2404-001020	C-TA,CHIP:10uF,20%,10V,GP,TP,3216		C619	2203-000257	C-CER,CHIP:10nF,10%,50V,X7R,TP,1608	

Electrical Parts List

Loc.No	Part No	Description ; Specification	Remark	Loc.No	Part No	Description ; Specification	Remark
C620	2203-000257	C-CER,CHIP:10nF,10%,50V,X7R,TP,1608		C933	2203-000189	C-CER,CHIP:100nF,+80-20%,25V,Y5V,TP,1608	
C621	2203-000257	C-CER,CHIP:10nF,10%,50V,X7R,TP,1608		C934	2203-000189	C-CER,CHIP:100nF,+80-20%,25V,Y5V,TP,1608	
C622	2203-000257	C-CER,CHIP:10nF,10%,50V,X7R,TP,1608		C935	2203-000440	C-CER,CHIP:1nF,10%,50V,X7R,TP,1608,-	
C623	2203-000257	C-CER,CHIP:10nF,10%,50V,X7R,TP,1608		C936	2203-000440	C-CER,CHIP:1nF,10%,50V,X7R,TP,1608,-	
C626	2203-002793	C-CER,CHIP:1000nF,+80-20%,25V,Y5V,TP,201		C937	2203-000491	C-CER,CHIP:2.2nF,10%,50V,X7R,TP,1608,-	
C627	2404-001020	C-TA,CHIP:10uF,20%,10V,GP,TP,3216		C938	2203-000440	C-CER,CHIP:1nF,10%,50V,X7R,TP,1608,-	
C628	2203-000189	C-CER,CHIP:100nF,+80-20%,25V,Y5V,TP,1608		C939	2203-000440	C-CER,CHIP:1nF,10%,50V,X7R,TP,1608,-	
C629	2203-000257	C-CER,CHIP:10nF,10%,50V,X7R,TP,1608		C940	2203-000189	C-CER,CHIP:100nF,+80-20%,25V,Y5V,TP,1608	
C630	2203-000189	C-CER,CHIP:100nF,+80-20%,25V,Y5V,TP,1608		C941	2203-000189	C-CER,CHIP:100nF,+80-20%,25V,Y5V,TP,1608	
C701	2203-000975	C-CER,CHIP:47nF,10%,25V,X7R,TP,1608,-		C942	2203-000440	C-CER,CHIP:1nF,10%,50V,X7R,TP,1608,-	
C702	2203-000975	C-CER,CHIP:47nF,10%,25V,X7R,TP,1608,-		C943	2203-000440	C-CER,CHIP:1nF,10%,50V,X7R,TP,1608,-	
C703	2203-000189	C-CER,CHIP:100nF,+80-20%,25V,Y5V,TP,1608		C946	2203-002793	C-CER,CHIP:1000nF,+80-20%,25V,Y5V,TP,201	
C704	2203-000189	C-CER,CHIP:100nF,+80-20%,25V,Y5V,TP,1608		C947	2404-001131	C-TA,CHIP:22UF,10%,10V,GP,TP,3528	
C705	2203-000975	C-CER,CHIP:47nF,10%,25V,X7R,TP,1608,-		C948	2203-000440	C-CER,CHIP:1nF,10%,50V,X7R,TP,1608,-	
C706	2404-001131	C-TA,CHIP:22UF,10%,10V,GP,TP,3528		C949	2203-002793	C-CER,CHIP:1000nF,+80-20%,25V,Y5V,TP,201	
C707	2404-000232	C-TA,CHIP:4.7uF,20%,10V,-,TP,3216		CA01	2404-001020	C-TA,CHIP:10uF,20%,10V,GP,TP,3216	
C708	2203-000257	C-CER,CHIP:10nF,10%,50V,X7R,TP,1608		CA02	2203-000189	C-CER,CHIP:100nF,+80-20%,25V,Y5V,TP,1608	
C709	2404-000232	C-TA,CHIP:4.7uF,20%,10V,-,TP,3216		CA03	2203-000189	C-CER,CHIP:100nF,+80-20%,25V,Y5V,TP,1608	
C710	2203-000922	C-CER,CHIP:470nF,+80-20%,25V,Y5V,TP,2012		CA04	2203-002793	C-CER,CHIP:1000nF,+80-20%,25V,Y5V,TP,201	
C711	2203-005186	C-CER,CHIP:2.2uF,10%,16V,X7R,TP,3216,-		CA05	2203-000189	C-CER,CHIP:100nF,+80-20%,25V,Y5V,TP,1608	
C712	2404-000232	C-TA,CHIP:4.7uF,20%,10V,-,TP,3216		CA07	2203-000189	C-CER,CHIP:100nF,+80-20%,25V,Y5V,TP,1608	
C713	2203-000257	C-CER,CHIP:10nF,10%,50V,X7R,TP,1608		CA08	2203-000189	C-CER,CHIP:100nF,+80-20%,25V,Y5V,TP,1608	
C714	2203-001103	C-CER,CHIP:6.8nF,10%,50V,X7R,TP,1608,-		CA09	2203-000041	C-CER,CHIP:0.01nF,0.25PF,50V,COG,TP,1608	
C715	2203-000189	C-CER,CHIP:100nF,+80-20%,25V,Y5V,TP,1608		CA11	2203-000189	C-CER,CHIP:100nF,+80-20%,25V,Y5V,TP,1608	
C716	2203-005186	C-CER,CHIP:2.2uF,10%,16V,X7R,TP,3216,-		CA12	2404-001251	C-TA,CHIP:22UF,20%,7V,-,TP,3216	
C717	2203-000257	C-CER,CHIP:10nF,10%,50V,X7R,TP,1608		CA13	2203-000189	C-CER,CHIP:100nF,+80-20%,25V,Y5V,TP,1608	
C718	2203-000715	C-CER,CHIP:3.3nF,10%,50V,X7R,TP,1608,-		CA15	2203-000189	C-CER,CHIP:100nF,+80-20%,25V,Y5V,TP,1608	
C719	2203-000189	C-CER,CHIP:100nF,+80-20%,25V,Y5V,TP,1608		CA16	2203-002793	C-CER,CHIP:1000nF,+80-20%,25V,Y5V,TP,201	
C720	2203-000189	C-CER,CHIP:100nF,+80-20%,25V,Y5V,TP,1608		CA17	2203-000189	C-CER,CHIP:100nF,+80-20%,25V,Y5V,TP,1608	
C721	2203-000189	C-CER,CHIP:100nF,+80-20%,25V,Y5V,TP,1608		CA18	2203-000189	C-CER,CHIP:100nF,+80-20%,25V,Y5V,TP,1608	
C722	2203-000491	C-CER,CHIP:2.2nF,10%,50V,X7R,TP,1608,-		CD01	2203-000189	C-CER,CHIP:100nF,+80-20%,25V,Y5V,	VP-L906/L907 Only
C723	2404-000151	C-TA,CHIP:1uF,20%,16V,-,TP,3216		CD02	2203-002793	C-CER,CHIP:1000nF,+80-20%,25V,Y5V	VP-L906/L907 Only
C724	2404-001131	C-TA,CHIP:22UF,10%,10V,GP,TP,3528		CD03	2203-000189	C-CER,CHIP:100nF,+80-20%,25V,Y5V,	VP-L906/L907 Only
C725	2404-001039	C-TA,CHIP:47uF,20%,6.3V,GP,TP,3528,-		CD04	2404-001020	C-TA,CHIP:10uF,20%,10V,GP,TP,3216	VP-L906/L907 Only
C726	2404-001020	C-TA,CHIP:10uF,20%,10V,GP,TP,3216		CD06	2203-000189	C-CER,CHIP:100nF,+80-20%,25V,Y5V,	VP-L906/L907 Only
C727	2404-000266	C-TA,CHIP:0.68uF,20%,10V,-,TP,3216		CD07	2203-000189	C-CER,CHIP:100nF,+80-20%,25V,Y5V,	VP-L906/L907 Only
C728	2404-000151	C-TA,CHIP:1uF,20%,16V,-,TP,3216		CD09	2404-001020	C-TA,CHIP:10uF,20%,10V,GP,TP,3216	VP-L906/L907 Only
C729	2404-001020	C-TA,CHIP:10uF,20%,10V,GP,TP,3216		CD10	2203-000189	C-CER,CHIP:100nF,+80-20%,25V,Y5V,	VP-L906/L907 Only
C730	2404-001131	C-TA,CHIP:22UF,10%,10V,GP,TP,3528		CD14	2404-001251	C-TA,CHIP:22UF,20%,7V,-,TP,3216	VP-L906/L907 Only
C731	2203-000189	C-CER,CHIP:100nF,+80-20%,25V,Y5V,TP,1608		CD15	2203-000189	C-CER,CHIP:100nF,+80-20%,25V,Y5V,	VP-L906/L907 Only
C732	2203-000189	C-CER,CHIP:100nF,+80-20%,25V,Y5V,TP,1608		CD17	2203-000189	C-CER,CHIP:100nF,+80-20%,25V,Y5V,	VP-L906/L907 Only
C736	2203-000189	C-CER,CHIP:100nF,+80-20%,25V,Y5V,TP,1608		CL01	2203-000189	C-CER,CHIP:100nF,+80-20%,25V,Y5V,TP,1608	
C737	2203-000257	C-CER,CHIP:10nF,10%,50V,X7R,TP,1608		CL02	2203-000357	C-CER,CHIP:0.15nF,5%,50V,COG,TP,1608	
C738	2203-000715	C-CER,CHIP:3.3nF,10%,50V,X7R,TP,1608,-		CL03	2203-000799	C-CER,CHIP:33nF,10%,16V,X7R,TP,1608	
C901	2203-002793	C-CER,CHIP:1000nF,+80-20%,25V,Y5V,TP,201		CL04	2203-000604	C-CER,CHIP:22nF,10%,25V,X7R,TP,1608	
C903	2203-005619	C-CER,CHIP:4700nF,10%,16V,X5R,TP,3216		CL05	2203-000799	C-CER,CHIP:33nF,10%,16V,X7R,TP,1608	
C904	2203-005644	C-CER,CHIP:10000nF,10%,6.3V,X5R,TP,3216		CL06	2203-000189	C-CER,CHIP:100nF,+80-20%,25V,Y5V,TP,1608	
C905	2404-001131	C-TA,CHIP:22UF,10%,10V,GP,TP,3528		CL07	2203-000189	C-CER,CHIP:100nF,+80-20%,25V,Y5V,TP,1608	
C906	2404-001020	C-TA,CHIP:10uF,20%,10V,GP,TP,3216		CL08	2203-000189	C-CER,CHIP:100nF,+80-20%,25V,Y5V,TP,1608	
C907	2203-000189	C-CER,CHIP:100nF,+80-20%,25V,Y5V,TP,1608		CL09	2203-000189	C-CER,CHIP:100nF,+80-20%,25V,Y5V,TP,1608	
C908	2203-005686	C-CER,CHIP:2200nF,20%,10V,X5R,TP,2012		CL10	2404-001020	C-TA,CHIP:10uF,20%,10V,GP,TP,3216	
C912	2203-005619	C-CER,CHIP:4700nF,10%,16V,X5R,TP,3216		CL11	2203-000189	C-CER,CHIP:100nF,+80-20%,25V,Y5V,TP,1608	
C913	2404-000284	C-TA,CHIP:10uF,20%,16V,-,TP,3528		CL13	2203-000189	C-CER,CHIP:100nF,+80-20%,25V,Y5V,TP,1608	
C914	2404-000284	C-TA,CHIP:10uF,20%,16V,-,TP,3528		CL14	2404-001020	C-TA,CHIP:10uF,20%,10V,GP,TP,3216	
C916	2203-005261	C-CER,CHIP:1000nF,10%,25V,X7R,TP,3216		CL16	2404-000190	C-TA,CHIP:22uF,20%,16V,-,TP,5832,-	
C917	2203-005261	C-CER,CHIP:1000nF,10%,25V,X7R,TP,3216		CL17	2203-000189	C-CER,CHIP:100nF,+80-20%,25V,Y5V,TP,1608	
C919	2203-002793	C-CER,CHIP:1000nF,+80-20%,25V,Y5V,TP,201		CL20	2203-000189	C-CER,CHIP:100nF,+80-20%,25V,Y5V,TP,1608	
C920	2203-005261	C-CER,CHIP:1000nF,10%,25V,X7R,TP,3216		CL21	2203-000815	C-CER,CHIP:0.033nF,5%,50V,COG,TP,1608	
C921	2203-005261	C-CER,CHIP:1000nF,10%,25V,X7R,TP,3216		CL22	2203-000189	C-CER,CHIP:100nF,+80-20%,25V,Y5V,TP,1608	
C922	2404-001020	C-TA,CHIP:10uF,20%,10V,GP,TP,3216		CL23	2203-000189	C-CER,CHIP:100nF,+80-20%,25V,Y5V,TP,1608	
C923	2203-005644	C-CER,CHIP:10000nF,10%,6.3V,X5R,TP,3216		CL24	2203-000189	C-CER,CHIP:100nF,+80-20%,25V,Y5V,TP,1608	
C928	2203-000440	C-CER,CHIP:1nF,10%,50V,X7R,TP,1608,-		CL25	2203-000189	C-CER,CHIP:100nF,+80-20%,25V,Y5V,TP,1608	
C929	2203-000440	C-CER,CHIP:1nF,10%,50V,X7R,TP,1608,-		CL26	2203-000189	C-CER,CHIP:100nF,+80-20%,25V,Y5V,TP,1608	
C930	2203-000257	C-CER,CHIP:10nF,10%,50V,X7R,TP,1608		CL27	2203-000189	C-CER,CHIP:100nF,+80-20%,25V,Y5V,TP,1608	
C931	2203-000257	C-CER,CHIP:10nF,10%,50V,X7R,TP,1608		CL28	2203-000189	C-CER,CHIP:100nF,+80-20%,25V,Y5V,TP,1608	
C932	2203-001607	C-CER,CHIP:0.22nF,5%,50V,NP0,TP,1608		CN101	3708-001348	CONNECTOR-FPC/FFC/PC:11P,1MM,SMD-A,SN,N	

Loc.No	Part No	Description ; Specification	Remark	Loc.No	Part No	Description ; Specification	Remark
CN501	3708-001471	CONNECTOR-FPC/FFC/PIC:43P,0.5MM,SMD-A,SN		IC101	1201-001312	IC-PREAMP:CXA20320,QFP,32P,7.0MIL,SINGLE	
CN601	3711-004735	CONNECTOR-HEADER:BOX,38P,2R,0.8mm,SMD-A,		IC201	1201-001322	IC-VIDEO AMP:NUM2538V,SOP,20P,175MIL,-,-	
CN602	3708-001584	CONNECTOR-FPC/FFC/PIC:19P,1MM,SMD-A,SN,Z		IC401	1204-002254	IC-OSD PROCESSOR:UPD6467GR-562-E1,SSOP2	
CN604	3708-001581	CONNECTOR-FPC/FFC/PIC:24P,0.5MM,SMD-A,SN		IC501	0909-001013	IC-REAL TIME CLOCK:5C372,8BIT,SOP8P,-,3	
CN605	3711-002050	CONNECTOR-HEADER:BOX,10P,1R,1.25mm,SMD-A		IC502	1003-001680	IC-MOTOR DRIVER:LB11993W,SOPF,64P,12x12x	
CN702	3711-000541	CONNECTOR-HEADER:BOX,2P,1R,1.25MM,SMD-A,	VP-L900 Only	IC601	AD09-00080A	IC MICOM:uPD70F3040GM-UEU,W-PJ,176,2.7V	
	3711-000922	CONNECTOR-HEADER:BOX,4P,1R,1.25mm	VP-L906 Only	IC602	1203-002807	IC-POSI.FIXED REG.:XC6413FY01MR,SOT-25,5	
	3711-002049	CONNECTOR-HEADER:BOX,6P,1R,1.25mm,	VP-L907 Only	IC603	1103-001224	IC-EEPROM:524L50X51,2Kx8,SOP,8P,5.13x4mm	
CNP01	3710-001478	CONNECTOR-SOCKET:18P2R,1MM,SMD-S,SN		IC701	1201-001406	IC-AUDIO AMP:7458,SOPF,64P,393MIL,-,-,PL	
CNP02	3708-001070	CONNECTOR-FPC/FFC/PIC:22P,0.5MM,SMD-A,SN		IC901	1203-001534	IC-PWM CONTROLLER:TL14661,QFP,64P,-,PLAS	
CP01	2404-000157	C-TA,CHIP:1uF,20%,35V,-,TP,3216		IC902	1203-002120	IC-POSI.FIXED REG.:1562,SOP,7P,173MIL,PL	
CP02	2203-000257	C-CER,CHIP:10nF,10%,50V,X7R,TP,1608		IC905	0801-002269	IC-CMOS LOGIC:7SET04,INVERTER,SOP,5P,150	
CP04	2203-000189	C-CER,CHIP:100nF,+80-20%,25V,Y5V,TP,1608		ICA01	1002-001258	IC-A/D CONVERTER:AD9806,JST80016R3,10BITS	
CP06	2203-000189	C-CER,CHIP:100nF,+80-20%,25V,Y5V,TP,1608		ICD01	AD13-00025A	IC HYBRID-DIS:HDJ52-SYSFO,SPIKE,8	VP-L906/L907 Only
CP07	2203-000257	C-CER,CHIP:10nF,10%,50V,X7R,TP,1608		ICD02	1105-001035	IC-DRAM:416S1120,1Mx16BIT,TSOP,50	VP-L906/L907 Only
CP08	2404-001251	C-TA,CHIP:22uF,20%,7V,-,TP,3216		ICL01	1201-001667	IC-OP AMP:12902,SSOP,TP,14P,173MIL,QUAD,	
CP10	2203-000189	C-CER,CHIP:100nF,+80-20%,25V,Y5V,TP,1608		ICL02	1003-001200	IC-MOTOR DRIVER:UPD16835,SOP,38P,300MIL,	
CP11	2404-001251	C-TA,CHIP:22uF,20%,7V,-,TP,3216		ICL03	AC14-12012T	IC-OP AMP:TA75S01F(TE85J),QFP,-	
CP12	2203-000189	C-CER,CHIP:100nF,+80-20%,25V,Y5V,TP,1608		ICP01	AD13-00010A	IC-DSP:MB87L1551,W-PJ,176P,-40TO125,Q	
CP13	2203-000189	C-CER,CHIP:100nF,+80-20%,25V,Y5V,TP,1608		ICP02	1003-001065	IC-CLOCK DRIVER:K57221D,SOP,20P,225MIL,Q	
CP14	2404-001251	C-TA,CHIP:22uF,20%,7V,-,TP,3216		ICV01	1204-001760	IC-VIDEO PROCESS:UPC5020GR-125,SOP,20P,3	
CP15	2203-000189	C-CER,CHIP:100nF,+80-20%,25V,Y5V,TP,1608		L101	2703-000403	INDUCTOR-SMD:22uH,10%,3225	
CP16	2203-000257	C-CER,CHIP:10nF,10%,50V,X7R,TP,1608		L102	2703-000002	INDUCTOR-SMD:100uH,10%,3225	
CP17	2203-000257	C-CER,CHIP:10nF,10%,50V,X7R,TP,1608		L131	2703-000363	INDUCTOR-SMD:10uH,5%,2520	
CP19	2203-000257	C-CER,CHIP:10nF,10%,50V,X7R,TP,1608		L151	2703-000363	INDUCTOR-SMD:10uH,5%,2520	
CP20	2203-000257	C-CER,CHIP:10nF,10%,50V,X7R,TP,1608		L152	2703-000381	INDUCTOR-SMD:180uH,5%,3225	
CP21	2203-000189	C-CER,CHIP:100nF,+80-20%,25V,Y5V,TP,1608		L153	2703-000366	INDUCTOR-SMD:22uH,5%,2520	
CP22	2203-000189	C-CER,CHIP:100nF,+80-20%,25V,Y5V,TP,1608		L154	2703-000373	INDUCTOR-SMD:68uH,5%,2520	
CP23	2203-000257	C-CER,CHIP:10nF,10%,50V,X7R,TP,1608		L171	2703-000365	INDUCTOR-SMD:15uH,5%,2520	
CP24	2203-000257	C-CER,CHIP:10nF,10%,50V,X7R,TP,1608		L172	2703-000375	INDUCTOR-SMD:82uH,5%,2520	
CP25	2203-001071	C-CER,CHIP:0.056nF,5%,50V,COG,TP,1608		L173	2703-000381	INDUCTOR-SMD:180uH,5%,3225	
CP26	2203-000189	C-CER,CHIP:100nF,+80-20%,25V,Y5V,TP,1608		L181	2703-000403	INDUCTOR-SMD:22uH,10%,3225	
CP27	2203-000426	C-CER,CHIP:0.018nF,5%,50V,COG,TP,1608		L186	2703-000375	INDUCTOR-SMD:82uH,5%,2520	
CP28	2203-000257	C-CER,CHIP:10nF,10%,50V,X7R,TP,1608		L187	2703-000376	INDUCTOR-SMD:8.2uH,5%,2520	
CP30	2203-000257	C-CER,CHIP:10nF,10%,50V,X7R,TP,1608		L201	2703-000409	INDUCTOR-SMD:47uH,10%,3225	
CP33	2203-000189	C-CER,CHIP:100nF,+80-20%,25V,Y5V,TP,1608		L203	2703-001883	INDUCTOR-SMD:22uH,10%,2520	
CP35	2203-000189	C-CER,CHIP:100nF,+80-20%,25V,Y5V,TP,1608		L401	2007-000029	R-CHIP:ohm,5%,1/8W,TP,2012	
CP41	2203-000189	C-CER,CHIP:100nF,+80-20%,25V,Y5V,TP,1608		L701	2703-000398	INDUCTOR-SMD:10uH,10%,3225	
CP42	2203-000189	C-CER,CHIP:100nF,+80-20%,25V,Y5V,TP,1608		L702	2703-000002	INDUCTOR-SMD:100uH,10%,3225	
CP46	2203-002605	C-CER,CHIP:0.008nF,0.25pF,50V,NPO,TP,160		L901	2703-001871	INDUCTOR-SMD:10uH,20%,6060	
CP47	2203-002605	C-CER,CHIP:0.008nF,0.25pF,50V,NPO,TP,160		L902	2703-000402	INDUCTOR-SMD:1uH,20%,3225	
CP48	2203-000257	C-CER,CHIP:10nF,10%,50V,X7R,TP,1608		L903	2703-002054	INDUCTOR-SMD:47uH,20%,6060	
CP49	2203-000440	C-CER,CHIP:1nF,10%,50V,X7R,TP,1608,-		L904	2703-000398	INDUCTOR-SMD:10uH,10%,3225	
CP50	2203-000041	C-CER,CHIP:0.01nF,0.25PF,50V,COG,TP,1608		L910	2703-000402	INDUCTOR-SMD:1uH,20%,3225	
CP51	2203-001660	C-CER,CHIP:0.004nF,0.25PF,16V,NPO,TP,160		L911	2703-001910	INDUCTOR-SMD:68uH,20%,6060	
CV01	2203-002793	C-CER,CHIP:1000nF,+80-20%,25V,Y5V,TP,201		L912	2703-001910	INDUCTOR-SMD:68uH,20%,6060	
CV02	2203-002793	C-CER,CHIP:1000nF,+80-20%,25V,Y5V,TP,201		L914	2703-000397	INDUCTOR-SMD:33uH,10%,2520	
CV03	2203-002793	C-CER,CHIP:1000nF,+80-20%,25V,Y5V,TP,201		L916	2703-000397	INDUCTOR-SMD:33uH,10%,2520	
CV04	2203-002793	C-CER,CHIP:1000nF,+80-20%,25V,Y5V,TP,201		L918	2703-002054	INDUCTOR-SMD:47uH,20%,6060	
CV05	2203-002793	C-CER,CHIP:1000nF,+80-20%,25V,Y5V,TP,201		L923	2703-002054	INDUCTOR-SMD:47uH,20%,6060	
CV06	2203-000257	C-CER,CHIP:10nF,10%,50V,X7R,TP,1608		LA01	2703-001883	INDUCTOR-SMD:22uH,10%,2520	
CV07	2203-000189	C-CER,CHIP:100nF,+80-20%,25V,Y5V,TP,1608		LA02	2703-001883	INDUCTOR-SMD:22uH,10%,2520	
CV08	2203-000189	C-CER,CHIP:100nF,+80-20%,25V,Y5V,TP,1608		LA03	2703-000403	INDUCTOR-SMD:22uH,10%,3225	
CV09	2203-002793	C-CER,CHIP:1000nF,+80-20%,25V,Y5V,TP,201		LA04	2703-001883	INDUCTOR-SMD:22uH,10%,2520	
CV10	2203-002793	C-CER,CHIP:1000nF,+80-20%,25V,Y5V,TP,201		LD01	2703-000398	INDUCTOR-SMD:10uH,10%,3225	VP-L906/L907 Only
CV11	2203-000189	C-CER,CHIP:100nF,+80-20%,25V,Y5V,TP,1608		LP01	2703-001883	INDUCTOR-SMD:22uH,10%,2520	
CV12	2404-000157	C-TA,CHIP:1uF,20%,35V,-,TP,3216		LP02	2703-000398	INDUCTOR-SMD:10uH,10%,3225	
CV13	2203-002793	C-CER,CHIP:1000nF,+80-20%,25V,Y5V,TP,201		LP03	2703-000403	INDUCTOR-SMD:22uH,10%,3225	
CV14	2203-002793	C-CER,CHIP:1000nF,+80-20%,25V,Y5V,TP,201		LP04	2703-001883	INDUCTOR-SMD:22uH,10%,2520	
CV15	2203-002793	C-CER,CHIP:1000nF,+80-20%,25V,Y5V,TP,201		LP05	2703-001883	INDUCTOR-SMD:22uH,10%,2520	
CV24	2203-000257	C-CER,CHIP:10nF,10%,50V,X7R,TP,1608		LP06	2703-000373	INDUCTOR-SMD:68uH,5%,2520	
CV25	2203-000257	C-CER,CHIP:10nF,10%,50V,X7R,TP,1608		LP07	2703-000398	INDUCTOR-SMD:10uH,10%,3225	VP-L906/L907 Only
D602	0401-001054	DIODE-SWITCHING:KDS160,80V,100MA,SOD-323		LV01	2703-001883	INDUCTOR-SMD:22uH,10%,2520	
D603	0401-001054	DIODE-SWITCHING:KDS160,80V,100MA,SOD-323		Q130	0504-000167	TR-DIGITAL:RN1102,NPN,100MW,10K/10K,SSM,	
D701	0401-001054	DIODE-SWITCHING:KDS160,80V,100MA,SOD-323		Q131	0501-002311	TR-SMALL SIGNAL:HN2A01FU,PNP,200mW,UMD6,	
D905	0401-001059	DIODE-SWITCHING:1SS362,80V,80MA,SC-75,TP		Q141	0501-000225	TR-SMALL SIGNAL:2SC4617,NPN,200mW,EM3,TP	

Electrical Parts List

Loc.No	Part No	Description ; Specification	Remark	Loc.No	Part No	Description ; Specification	Remark
Q142	0501-002311	TR-SMALL SIGNAL:HN2A01FU,PNP,200mW,UMD6,		R137	2007-001134	R-CHIP:68ohm,5%,1/10W,TP,1608	
Q151	0501-000225	TR-SMALL SIGNAL:2SC4617,NPN,200mW,EM3,TP		R140	2007-000129	R-CHIP:27Kohm,5%,1/10W,TP,1608	
Q152	0501-000225	TR-SMALL SIGNAL:2SC4617,NPN,200mW,EM3,TP		R141	2007-000121	R-CHIP:820ohm,5%,1/10W,TP,1608	
Q153	0504-000167	TR-DIGITAL:RN1102,NPN,100MW,10K/10K,SSM,		R142	2007-000092	R-CHIP:15Kohm,5%,1/10W,TP,1608	
Q161	0501-002312	TR-SMALL SIGNAL:HN2C01FU,NPN,200mW,UMD6,		R143	2007-000077	R-CHIP:470ohm,5%,1/10W,TP,1608	
Q162	0501-002312	TR-SMALL SIGNAL:HN2C01FU,NPN,200mW,UMD6,		R144	2007-000122	R-CHIP:1.2Kohm,5%,1/10W,TP,1608	
Q171	0501-002310	TR-SMALL SIGNAL:HN1B04FU,PNP/NPN,200mW,U		R145	2007-000119	R-CHIP:560ohm,5%,1/10W,TP,1608	
Q172	0501-000552	TR-SMALL SIGNAL:2SA1774-Q,PNP,150mW,EM3,		R147	2007-000643	R-CHIP:270ohm,5%,1/10W,TP,1608	
Q173	0504-000167	TR-DIGITAL:RN1102,NPN,100MW,10K/10K,SSM,		R148	2007-000078	R-CHIP:1Kohm,5%,1/10W,TP,1608	
Q186	0501-000552	TR-SMALL SIGNAL:2SA1774-Q,PNP,150mW,EM3,		R149	2007-000119	R-CHIP:560ohm,5%,1/10W,TP,1608	
Q188	0501-002312	TR-SMALL SIGNAL:HN2C01FU,NPN,200mW,UMD6,		R151	2007-000090	R-CHIP:10Kohm,5%,1/10W,TP,1608	
Q189	0501-000225	TR-SMALL SIGNAL:2SC4617,NPN,200mW,EM3,TP		R152	2007-000086	R-CHIP:5.6Kohm,5%,1/10W,TP,1608	
Q203	0501-000225	TR-SMALL SIGNAL:2SC4617,NPN,200mW,	VP-L907 Only	R153	2007-000119	R-CHIP:560ohm,5%,1/10W,TP,1608	
Q601	0504-000167	TR-DIGITAL:RN1102,NPN,100MW,10K/10K,SSM,		R154	2007-000643	R-CHIP:270ohm,5%,1/10W,TP,1608	
Q701	0506-001066	TR-ARRAY:UMF5,NPN/PNP,2,150MW,SC-88,TP,		R155	2007-000643	R-CHIP:270ohm,5%,1/10W,TP,1608	
Q703	0501-002312	TR-SMALL SIGNAL:HN2C01FU,NPN,200mW,UMD6,		R158	2007-000120	R-CHIP:680ohm,5%,1/10W,TP,1608	
Q901	0502-001178	TR-POWER:CPH6702,PNP,1300mW,CPH6,TP,200		R159	2007-000121	R-CHIP:820ohm,5%,1/10W,TP,1608	
Q902	0501-000172	TR-SMALL SIGNAL:2SB1121,PNP,500mW	VP-L906/L907 Only	R160	2007-000075	R-CHIP:220ohm,5%,1/10W,TP,1608	
Q903	0504-000167	TR-DIGITAL:RN1102,NPN,100MW,10K/1	VP-L906/L907 Only	R161	2007-000081	R-CHIP:2.7Kohm,5%,1/10W,TP,1608	
Q904	0506-001066	TR-ARRAY:UMF5,NPN/PNP,2,150MW,SC-88,TP,		R162	2007-000119	R-CHIP:560ohm,5%,1/10W,TP,1608	
Q906	0502-001178	TR-POWER:CPH6702,PNP,1300mW,CPH6,TP,200		R163	2007-000119	R-CHIP:560ohm,5%,1/10W,TP,1608	
Q907	0502-001178	TR-POWER:CPH6702,PNP,1300mW,CPH6,TP,200		R164	2007-000077	R-CHIP:470ohm,5%,1/10W,TP,1608	
Q908	0505-001646	FET-SILICON:MCH5803,N.30V,1.4A,370MOHM,0		R167	2007-000075	R-CHIP:220ohm,5%,1/10W,TP,1608	
Q909	0502-001178	TR-POWER:CPH6702,PNP,1300mW,CPH6,TP,200		R168	2007-000119	R-CHIP:560ohm,5%,1/10W,TP,1608	
Q910	0502-001178	TR-POWER:CPH6702,PNP,1300mW,CPH6,TP,200		R169	2007-000119	R-CHIP:560ohm,5%,1/10W,TP,1608	
Q911	0506-001066	TR-ARRAY:UMF5,NPN/PNP,2,150MW,SC-88,TP,		R170	2007-000094	R-CHIP:22Kohm,5%,1/10W,TP,1608	
Q913	0501-000552	TR-SMALL SIGNAL:2SA1774-Q,PNP,150mW,EM3,		R171	2007-000090	R-CHIP:10Kohm,5%,1/10W,TP,1608	
Q914	0501-000225	TR-SMALL SIGNAL:2SC4617,NPN,200mW,EM3,TP		R172	2007-000119	R-CHIP:560ohm,5%,1/10W,TP,1608	
Q915	0506-001066	TR-ARRAY:UMF5,NPN/PNP,2,150MW,SC-88,TP,		R173	2007-000076	R-CHIP:330ohm,5%,1/10W,TP,1608	
Q916	0504-001102	TR-DIGITAL:EMD3,NPN/PNP,150MW,10K/10K,EM		R174	2007-000078	R-CHIP:1Kohm,5%,1/10W,TP,1608	
Q919	0501-000225	TR-SMALL SIGNAL:2SC4617,NPN,200mW,EM3,TP		R175	2007-000078	R-CHIP:1Kohm,5%,1/10W,TP,1608	
Q920	0501-000225	TR-SMALL SIGNAL:2SC4617,NPN,200mW,EM3,TP		R176	2007-000122	R-CHIP:1.2Kohm,5%,1/10W,TP,1608	
Q921	0501-000225	TR-SMALL SIGNAL:2SC4617,NPN,200mW,EM3,TP		R177	2007-000081	R-CHIP:2.7Kohm,5%,1/10W,TP,1608	
Q922	0501-000552	TR-SMALL SIGNAL:2SA1774-Q,PNP,150mW,EM3,		R178	2007-000077	R-CHIP:470ohm,5%,1/10W,TP,1608	
QA01	0501-000225	TR-SMALL SIGNAL:2SC4617,NPN,200mW,EM3,TP		R179	2007-000122	R-CHIP:1.2Kohm,5%,1/10W,TP,1608	
QA02	0504-000168	TR-DIGITAL:RN1104,NPN,100MW,47K/47K,SSM,		R180	2007-000121	R-CHIP:820ohm,5%,1/10W,TP,1608	
QA05	0504-000167	TR-DIGITAL:RN1102,NPN,100MW,10K/10K,SSM,		R181	2007-000079	R-CHIP:1.8Kohm,5%,1/10W,TP,1608	
QP01	0501-000552	TR-SMALL SIGNAL:2SA1774-Q,PNP,150mW,EM3,		R182	2007-000097	R-CHIP:47Kohm,5%,1/10W,TP,1608	
QP02	0501-000225	TR-SMALL SIGNAL:2SC4617,NPN,200mW,EM3,TP		R183	2007-000087	R-CHIP:6.8Kohm,5%,1/10W,TP,1608	
QP38	0504-000168	TR-DIGITAL:RN1104,NPN,100MW,47K/47K,SSM,		R187	2007-000402	R-CHIP:150ohm,5%,1/10W,TP,1608	
QV01	0501-000552	TR-SMALL SIGNAL:2SA1774-Q,PNP,150mW,EM3,		R188	2007-000118	R-CHIP:390ohm,5%,1/10W,TP,1608	
QV02	0501-000552	TR-SMALL SIGNAL:2SA1774-Q,PNP,150mW,EM3,		R189	2007-000094	R-CHIP:22Kohm,5%,1/10W,TP,1608	
QV03	0501-000552	TR-SMALL SIGNAL:2SA1774-Q,PNP,150mW,EM3,		R190	2007-000078	R-CHIP:1Kohm,5%,1/10W,TP,1608	
R101	2007-000090	R-CHIP:10Kohm,5%,1/10W,TP,1608		R191	2007-000076	R-CHIP:330ohm,5%,1/10W,TP,1608	
R102	2007-001179	R-CHIP:8.2Kohm,5%,1/10W,TP,1608		R192	2007-000077	R-CHIP:470ohm,5%,1/10W,TP,1608	
R103	2007-000084	R-CHIP:4.7Kohm,5%,1/10W,TP,1608		R193	2007-000076	R-CHIP:330ohm,5%,1/10W,TP,1608	
R104	2007-000084	R-CHIP:4.7Kohm,5%,1/10W,TP,1608		R194	2007-000078	R-CHIP:1Kohm,5%,1/10W,TP,1608	
R105	2007-000084	R-CHIP:4.7Kohm,5%,1/10W,TP,1608		R195	2007-000077	R-CHIP:470ohm,5%,1/10W,TP,1608	
R106	2007-000107	R-CHIP:470Kohm,5%,1/10W,TP,1608		R196	2007-000078	R-CHIP:1Kohm,5%,1/10W,TP,1608	
R110	2007-000123	R-CHIP:1.5Kohm,5%,1/10W,TP,1608		R197	2007-000129	R-CHIP:27Kohm,5%,1/10W,TP,1608	
R111	2007-000097	R-CHIP:47Kohm,5%,1/10W,TP,1608		R198	2007-000091	R-CHIP:12Kohm,5%,1/10W,TP,1608	
R112	2007-000094	R-CHIP:22Kohm,5%,1/10W,TP,1608		R199	2007-000120	R-CHIP:680ohm,5%,1/10W,TP,1608	
R114	2007-000077	R-CHIP:470ohm,5%,1/10W,TP,1608		R200	2007-000082	R-CHIP:3.3Kohm,5%,1/10W,TP,1608	
R115	2007-000077	R-CHIP:470ohm,5%,1/10W,TP,1608		R201	2007-001134	R-CHIP:68ohm,5%,1/10W,TP,1608	
R116	2007-000129	R-CHIP:27Kohm,5%,1/10W,TP,1608		R202	2007-001134	R-CHIP:68ohm,5%,1/10W,TP,1608	
R117	2007-000123	R-CHIP:1.5Kohm,5%,1/10W,TP,1608		R203	2007-001134	R-CHIP:68ohm,5%,1/10W,TP,1608	
R118	2007-000097	R-CHIP:47Kohm,5%,1/10W,TP,1608		R205	2007-000109	R-CHIP:1Mohm,5%,1/10W,TP,1608	
R119	2007-000090	R-CHIP:10Kohm,5%,1/10W,TP,1608		R208	2007-000109	R-CHIP:1Mohm,5%,1/10W,TP,1608	
R120	2007-001179	R-CHIP:8.2Kohm,5%,1/10W,TP,1608		R210	2007-001134	R-CHIP:68ohm,5%,1/10W,TP,1608	VP-L907 Only
R121	2007-000118	R-CHIP:390ohm,5%,1/10W,TP,1608		R213	2007-000078	R-CHIP:1Kohm,5%,1/10W,TP,1608	VP-L907 Only
R124	2007-000079	R-CHIP:1.8Kohm,5%,1/10W,TP,1608		R218	2007-000078	R-CHIP:1Kohm,5%,1/10W,TP,1608	
R130	2007-000094	R-CHIP:22Kohm,5%,1/10W,TP,1608		R219	2007-000078	R-CHIP:1Kohm,5%,1/10W,TP,1608	
R132	2007-000134	R-CHIP:33Kohm,5%,1/10W,TP,1608		R401	2007-000078	R-CHIP:1Kohm,5%,1/10W,TP,1608	
R134	2007-000075	R-CHIP:220ohm,5%,1/10W,TP,1608		R402	2007-000078	R-CHIP:1Kohm,5%,1/10W,TP,1608	
R135	2007-000643	R-CHIP:270ohm,5%,1/10W,TP,1608		R403	2007-000078	R-CHIP:1Kohm,5%,1/10W,TP,1608	
R136	2007-000309	R-CHIP:10ohm,5%,1/10W,TP,1608		R404	2007-000090	R-CHIP:10Kohm,5%,1/10W,TP,1608	

Loc.No	Part No	Description ; Specification	Remark	Loc.No	Part No	Description ; Specification	Remark
R501	2007-001179	R-CHIP:8.2Kohm,5%,1/10W,TP,1608		R621	2007-000090	R-CHIP:10Kohm,5%,1/10W,TP,1608	
R502	2007-000078	R-CHIP:1Kohm,5%,1/10W,TP,1608		R622	2007-000090	R-CHIP:10Kohm,5%,1/10W,TP,1608	
R503	2007-000122	R-CHIP:1.2Kohm,5%,1/10W,TP,1608		R623	2007-000090	R-CHIP:10Kohm,5%,1/10W,TP,1608	
R504	2007-000124	R-CHIP:2.2Kohm,5%,1/10W,TP,1608		R624	2007-000102	R-CHIP:100Kohm,5%,1/10W,TP,1608	
R505	2007-000070	R-CHIP:0ohm,5%,1/10W,TP,1608		R625	2007-000102	R-CHIP:100Kohm,5%,1/10W,TP,1608	
R508	2007-000070	R-CHIP:0ohm,5%,1/10W,TP,1608		R626	2007-000078	R-CHIP:1Kohm,5%,1/10W,TP,1608	
R510	2007-000102	R-CHIP:100Kohm,5%,1/10W,TP,1608		R627	2007-000090	R-CHIP:10Kohm,5%,1/10W,TP,1608	
R511	2007-000102	R-CHIP:100Kohm,5%,1/10W,TP,1608		R628	2007-000070	R-CHIP:0ohm,5%,1/10W,TP,1608	
R512	2007-000078	R-CHIP:1Kohm,5%,1/10W,TP,1608		R629	2007-000106	R-CHIP:220Kohm,5%,1/10W,TP,1608	
R513	2007-000078	R-CHIP:1Kohm,5%,1/10W,TP,1608		R631	2007-000102	R-CHIP:100Kohm,5%,1/10W,TP,1608	
R514	2007-000102	R-CHIP:100Kohm,5%,1/10W,TP,1608		R633	2007-000102	R-CHIP:100Kohm,5%,1/10W,TP,1608	
R516	2007-000109	R-CHIP:1Mohm,5%,1/10W,TP,1608		R634	2007-000106	R-CHIP:220Kohm,5%,1/10W,TP,1608	
R517	2007-000094	R-CHIP:22Kohm,5%,1/10W,TP,1608		R637	2007-000106	R-CHIP:220Kohm,5%,1/10W,TP,1608	
R518	2007-000503	R-CHIP:2.2ohm,5%,1/10W,TP,1608		R638	2007-000090	R-CHIP:10Kohm,5%,1/10W,TP,1608	
R519	2007-000503	R-CHIP:2.2ohm,5%,1/10W,TP,1608		R639	2007-000102	R-CHIP:100Kohm,5%,1/10W,TP,1608	
R520	2007-000503	R-CHIP:2.2ohm,5%,1/10W,TP,1608		R640	2007-000090	R-CHIP:10Kohm,5%,1/10W,TP,1608	
R521	2007-000483	R-CHIP:1ohm,5%,1/8W,TP,2012		R641	2007-000102	R-CHIP:100Kohm,5%,1/10W,TP,1608	
R522	2007-000483	R-CHIP:1ohm,5%,1/8W,TP,2012		R642	2007-000090	R-CHIP:10Kohm,5%,1/10W,TP,1608	
R523	2007-000483	R-CHIP:1ohm,5%,1/8W,TP,2012		R643	2007-000102	R-CHIP:100Kohm,5%,1/10W,TP,1608	
R524	2007-000483	R-CHIP:1ohm,5%,1/8W,TP,2012		R644	2007-000090	R-CHIP:10Kohm,5%,1/10W,TP,1608	
R525	2007-000483	R-CHIP:1ohm,5%,1/8W,TP,2012		R645	2007-000102	R-CHIP:100Kohm,5%,1/10W,TP,1608	
R526	2007-000483	R-CHIP:1ohm,5%,1/8W,TP,2012		R646	2007-000090	R-CHIP:10Kohm,5%,1/10W,TP,1608	
R527	2007-000097	R-CHIP:47Kohm,5%,1/10W,TP,1608		R647	2007-000102	R-CHIP:100Kohm,5%,1/10W,TP,1608	
R528	2007-000082	R-CHIP:3.3Kohm,5%,1/10W,TP,1608		R648	2007-000090	R-CHIP:10Kohm,5%,1/10W,TP,1608	
R529	2007-000109	R-CHIP:1Mohm,5%,1/10W,TP,1608		R649	2007-000090	R-CHIP:10Kohm,5%,1/10W,TP,1608	
R530	2007-000102	R-CHIP:100Kohm,5%,1/10W,TP,1608		R650	2007-000102	R-CHIP:100Kohm,5%,1/10W,TP,1608	
R531	2007-000070	R-CHIP:0ohm,5%,1/10W,TP,1608		R651	2007-000106	R-CHIP:220Kohm,5%,1/10W,TP,1608	
R533	2007-000097	R-CHIP:47Kohm,5%,1/10W,TP,1608		R652	2007-000090	R-CHIP:10Kohm,5%,1/10W,TP,1608	
R534	2007-000130	R-CHIP:39Kohm,5%,1/10W,TP,1608		R653	2007-000106	R-CHIP:220Kohm,5%,1/10W,TP,1608	
R535	2007-000092	R-CHIP:15Kohm,5%,1/10W,TP,1608		R654	2007-000078	R-CHIP:1Kohm,5%,1/10W,TP,1608	
R536	2007-000090	R-CHIP:10Kohm,5%,1/10W,TP,1608		R655	2007-000863	R-CHIP:4.3ohm,5%,1/8W,TP,2012	
R537	2007-000090	R-CHIP:10Kohm,5%,1/10W,TP,1608		R656	2007-000060	R-CHIP:100Kohm,1%,1/10W,TP,1608	
R538	2007-000090	R-CHIP:10Kohm,5%,1/10W,TP,1608		R657	2007-000060	R-CHIP:100Kohm,1%,1/10W,TP,1608	
R539	2007-000120	R-CHIP:680ohm,5%,1/10W,TP,1608		R658	2007-000060	R-CHIP:100Kohm,1%,1/10W,TP,1608	
R550	2007-000078	R-CHIP:1Kohm,5%,1/10W,TP,1608		R659	2007-000060	R-CHIP:100Kohm,1%,1/10W,TP,1608	
R551	2007-000755	R-CHIP:330Kohm,1%,1/10W,TP,1608		R660	2007-000060	R-CHIP:100Kohm,1%,1/10W,TP,1608	
R552	2007-000755	R-CHIP:330Kohm,1%,1/10W,TP,1608		R662	2007-000102	R-CHIP:100Kohm,5%,1/10W,TP,1608	
R553	2007-000104	R-CHIP:150Kohm,5%,1/10W,TP,1608		R663	2007-000102	R-CHIP:100Kohm,5%,1/10W,TP,1608	
R554	2007-000129	R-CHIP:27Kohm,5%,1/10W,TP,1608		R664	2007-000078	R-CHIP:1Kohm,5%,1/10W,TP,1608	
R555	2007-000070	R-CHIP:0ohm,5%,1/10W,TP,1608		R665	2007-000078	R-CHIP:1Kohm,5%,1/10W,TP,1608	
R587	2007-000078	R-CHIP:1Kohm,5%,1/10W,TP,1608		R666	2007-000078	R-CHIP:1Kohm,5%,1/10W,TP,1608	
R588	2007-000102	R-CHIP:100Kohm,5%,1/10W,TP,1608		R667	2007-000078	R-CHIP:1Kohm,5%,1/10W,TP,1608	
R589	2007-000090	R-CHIP:10Kohm,5%,1/10W,TP,1608		R668	2007-000078	R-CHIP:1Kohm,5%,1/10W,TP,1608	
R590	2007-000090	R-CHIP:10Kohm,5%,1/10W,TP,1608		R669	2007-000078	R-CHIP:1Kohm,5%,1/10W,TP,1608	
R591	2007-000102	R-CHIP:100Kohm,5%,1/10W,TP,1608		R670	2007-000078	R-CHIP:1Kohm,5%,1/10W,TP,1608	
R593	2007-000078	R-CHIP:1Kohm,5%,1/10W,TP,1608		R671	2007-000078	R-CHIP:1Kohm,5%,1/10W,TP,1608	
R594	2007-000691	R-CHIP:3.3Mohm,5%,1/10W,TP,1608		R672	2007-000102	R-CHIP:100Kohm,5%,1/10W,TP,1608	
R595	2007-000691	R-CHIP:3.3Mohm,5%,1/10W,TP,1608		R673	2007-000090	R-CHIP:10Kohm,5%,1/10W,TP,1608	
R601	2007-000102	R-CHIP:100Kohm,5%,1/10W,TP,1608		R674	2007-000052	R-CHIP:10Kohm,1%,1/10W,TP,1608	
R603	2007-000090	R-CHIP:10Kohm,5%,1/10W,TP,1608		R675	2007-000109	R-CHIP:1Mohm,5%,1/10W,TP,1608	
R604	2007-000102	R-CHIP:100Kohm,5%,1/10W,TP,1608		R676	2007-000290	R-CHIP:100ohm,5%,1/8W,TP,2012	
R605	2007-000078	R-CHIP:1Kohm,5%,1/10W,TP,1608		R677	2007-000309	R-CHIP:1ohm,5%,1/10W,TP,1608	
R606	2007-000078	R-CHIP:1Kohm,5%,1/10W,TP,1608		R679	2007-000109	R-CHIP:1Mohm,5%,1/10W,TP,1608	
R608	2007-000065	R-CHIP:2.2Mohm,5%,1/10W,TP,1608		R680	2007-000109	R-CHIP:1Mohm,5%,1/10W,TP,1608	
R609	2007-000106	R-CHIP:220Kohm,5%,1/10W,TP,1608		R681	2007-000078	R-CHIP:1Kohm,5%,1/10W,TP,1608	
R610	2007-000106	R-CHIP:220Kohm,5%,1/10W,TP,1608		R682	2007-000078	R-CHIP:1Kohm,5%,1/10W,TP,1608	
R611	2007-000106	R-CHIP:220Kohm,5%,1/10W,TP,1608		R683	2007-000090	R-CHIP:10Kohm,5%,1/10W,TP,1608	
R612	2007-000106	R-CHIP:220Kohm,5%,1/10W,TP,1608		R684	2007-000090	R-CHIP:10Kohm,5%,1/10W,TP,1608	
R613	2007-000106	R-CHIP:220Kohm,5%,1/10W,TP,1608		R685	2007-000091	R-CHIP:12Kohm,5%,1/10W,TP,1608	
R614	2007-000106	R-CHIP:220Kohm,5%,1/10W,TP,1608		R686	2007-000091	R-CHIP:12Kohm,5%,1/10W,TP,1608	
R615	2007-000106	R-CHIP:220Kohm,5%,1/10W,TP,1608		R687	2007-000078	R-CHIP:1Kohm,5%,1/10W,TP,1608	
R616	2007-000090	R-CHIP:10Kohm,5%,1/10W,TP,1608		R688	2007-000102	R-CHIP:100Kohm,5%,1/10W,TP,1608	
R617	2007-000090	R-CHIP:10Kohm,5%,1/10W,TP,1608		R690	2007-000097	R-CHIP:47Kohm,5%,1/10W,TP,1608	
R618	2007-000090	R-CHIP:10Kohm,5%,1/10W,TP,1608		R691	2007-000074	R-CHIP:100ohm,5%,1/10W,TP,1608	
R619	2007-000090	R-CHIP:10Kohm,5%,1/10W,TP,1608		R694	2007-000077	R-CHIP:470ohm,5%,1/10W,TP,1608	
R620	2007-000090	R-CHIP:10Kohm,5%,1/10W,TP,1608		R695	2007-000455	R-CHIP:18Kohm,1%,1/10W,TP,1608	

Electrical Parts List

Loc.No	Part No	Description ; Specification	Remark	Loc.No	Part No	Description ; Specification	Remark
R696	2007-000772	R-CHIP:33Kohm,1%,1/10W,TP,1608		R936	2007-000124	R-CHIP:2.2Kohm,5%,1/10W,TP,1608	
R697	2007-000772	R-CHIP:33Kohm,1%,1/10W,TP,1608		R937	2007-000090	R-CHIP:10Kohm,5%,1/10W,TP,1608	
R698	2007-001125	R-CHIP:68Kohm,1%,1/10W,TP,1608		R939	2007-000086	R-CHIP:5.6Kohm,5%,1/10W,TP,1608	
R699	2007-000060	R-CHIP:100Kohm,1%,1/10W,TP,1608		R940	2007-000094	R-CHIP:22Kohm,5%,1/10W,TP,1608	
R701	2007-001096	R-CHIP:62Kohm,1%,1/10W,TP,1608		R941	2007-000087	R-CHIP:6.8Kohm,5%,1/10W,TP,1608	
R702	2007-001096	R-CHIP:62Kohm,1%,1/10W,TP,1608		R942	2007-000094	R-CHIP:22Kohm,5%,1/10W,TP,1608	
R703	2007-000134	R-CHIP:33Kohm,5%,1/10W,TP,1608		R943	2007-000087	R-CHIP:6.8Kohm,5%,1/10W,TP,1608	
R704	2007-000123	R-CHIP:1.5Kohm,5%,1/10W,TP,1608		R944	2007-000123	R-CHIP:1.5Kohm,5%,1/10W,TP,1608	
R705	2007-000084	R-CHIP:4.7Kohm,5%,1/10W,TP,1608		R945	2007-000094	R-CHIP:22Kohm,5%,1/10W,TP,1608	
R706	2007-000078	R-CHIP:1Kohm,5%,1/10W,TP,1608		R946	2007-001179	R-CHIP:8.2Kohm,5%,1/10W,TP,1608	
R708	2007-000134	R-CHIP:33Kohm,5%,1/10W,TP,1608		R947	2007-000052	R-CHIP:10Kohm,1%,1/10W,TP,1608	
R709	2007-000462	R-CHIP:18ohm,5%,1/8W,TP,2012		R948	2007-000078	R-CHIP:1Kohm,5%,1/10W,TP,1608	
R710	2007-000691	R-CHIP:3.3Mohm,5%,1/10W,TP,1608		R949	2007-001139	R-CHIP:7.5Kohm,1%,1/10W,TP,1608	
R711	2007-000090	R-CHIP:10Kohm,5%,1/10W,TP,1608		R950	2007-000088	R-CHIP:7.5Kohm,5%,1/10W,TP,1608	
R713	2007-000078	R-CHIP:1Kohm,5%,1/10W,TP,1608		R951	2007-000078	R-CHIP:1Kohm,5%,1/10W,TP,1608	
R714	2007-000090	R-CHIP:10Kohm,5%,1/10W,TP,1608		R952	2007-000078	R-CHIP:1Kohm,5%,1/10W,TP,1608	
R716	2007-000691	R-CHIP:3.3Mohm,5%,1/10W,TP,1608		R953	2007-001139	R-CHIP:7.5Kohm,1%,1/10W,TP,1608	
R717	2007-000084	R-CHIP:4.7Kohm,5%,1/10W,TP,1608		R954	2007-000458	R-CHIP:18Kohm,5%,1/10W,TP,1608	
R718	2007-000078	R-CHIP:1Kohm,5%,1/10W,TP,1608		R955	2007-001068	R-CHIP:6.8Kohm,1%,1/10W,TP,1608	
R719	2007-000121	R-CHIP:820ohm,5%,1/10W,TP,1608		R965	2007-000104	R-CHIP:150Kohm,5%,1/10W,TP,1608	
R720	2007-000121	R-CHIP:820ohm,5%,1/10W,TP,1608	Other Only	R966	2007-000106	R-CHIP:220Kohm,5%,1/10W,TP,1608	
	2007-000124	R-CHIP:2.2Kohm,5%,1/10W,TP,1608	CHINA Only	R971	2007-000070	R-CHIP:0ohm,5%,1/10W,TP,1608	
R721	2007-000121	R-CHIP:820ohm,5%,1/10W,TP,1608	Other Only	RA01	2007-000863	R-CHIP:4.3ohm,5%,1/8W,TP,2012	
	2007-000122	R-CHIP:1.2Kohm,5%,1/10W,TP,1608	CHINA Only	RA03	2007-000074	R-CHIP:100ohm,5%,1/10W,TP,1608	
R722	2007-000708	R-CHIP:3.9Kohm,1%,1/10W,TP,1608		RA06	2007-000078	R-CHIP:1Kohm,5%,1/10W,TP,1608	
R723	2007-000124	R-CHIP:2.2Kohm,5%,1/10W,TP,1608		RA07	2007-000078	R-CHIP:1Kohm,5%,1/10W,TP,1608	
R724	2007-000124	R-CHIP:2.2Kohm,5%,1/10W,TP,1608		RD01	2007-000287	R-CHIP:1000HM,1%,1/10W,DA,TP,1608	VP-L906/L907 Only
R726	2007-000084	R-CHIP:4.7Kohm,5%,1/10W,TP,1608		RD02	2007-000077	R-CHIP:470ohm,5%,1/10W,TP,1608	VP-L906/L907 Only
R727	2007-000078	R-CHIP:1Kohm,5%,1/10W,TP,1608		RD04	2007-000029	R-CHIP:0ohm,5%,1/8W,TP,2012	VP-L906/L907 Only
R728	2007-000078	R-CHIP:1Kohm,5%,1/10W,TP,1608		RD06	2007-000070	R-CHIP:0ohm,5%,1/10W,TP,1608	VP-L906/L907 Only
R731	2007-000078	R-CHIP:1Kohm,5%,1/10W,TP,1608		RD07	2007-000070	R-CHIP:0ohm,5%,1/10W,TP,1608	VP-L906/L907 Only
R742	2007-000097	R-CHIP:47Kohm,5%,1/10W,TP,1608		RD08	2007-000070	R-CHIP:0ohm,5%,1/10W,TP,1608	VP-L906/L907 Only
R901	2007-000094	R-CHIP:22Kohm,5%,1/10W,TP,1608	VP-L906/L907 Only	RD10	2007-000070	R-CHIP:0ohm,5%,1/10W,TP,1608	VP-L906/L907 Only
R902	2007-000078	R-CHIP:1Kohm,5%,1/10W,TP,1608	VP-L906/L907 Only	RD12	2007-000070	R-CHIP:0ohm,5%,1/10W,TP,1608	VP-L906/L907 Only
R903	2007-002203	R-CHIP:5.6Kohm,0.5%,1/10W,TP,1608		RD14	2007-000070	R-CHIP:0ohm,5%,1/10W,TP,1608	VP-L906/L907 Only
R904	2007-000078	R-CHIP:1Kohm,5%,1/10W,TP,1608		RL01	2007-000094	R-CHIP:22Kohm,5%,1/10W,TP,1608	
R905	2007-000965	R-CHIP:5.1Kohm,5%,1/10W,TP,1608		RL02	2007-000094	R-CHIP:22Kohm,5%,1/10W,TP,1608	
R907	2007-000090	R-CHIP:10Kohm,5%,1/10W,TP,1608		RL03	2007-000104	R-CHIP:150Kohm,5%,1/10W,TP,1608	
R908	2007-000090	R-CHIP:10Kohm,5%,1/10W,TP,1608		RL04	2007-000104	R-CHIP:150Kohm,5%,1/10W,TP,1608	
R909	2007-000086	R-CHIP:5.6Kohm,5%,1/10W,TP,1608		RL05	2007-000125	R-CHIP:3.9Kohm,5%,1/10W,TP,1608	
R910	2007-000124	R-CHIP:2.2Kohm,5%,1/10W,TP,1608		RL06	2007-000125	R-CHIP:3.9Kohm,5%,1/10W,TP,1608	
R911	2007-000090	R-CHIP:10Kohm,5%,1/10W,TP,1608		RL07	2007-000637	R-CHIP:270Kohm,5%,1/10W,TP,1608	
R912	2007-000086	R-CHIP:5.6Kohm,5%,1/10W,TP,1608		RL08	2007-000094	R-CHIP:22Kohm,5%,1/10W,TP,1608	
R913	2007-000124	R-CHIP:2.2Kohm,5%,1/10W,TP,1608		RL09	2007-000090	R-CHIP:10Kohm,5%,1/10W,TP,1608	
R914	2007-000090	R-CHIP:10Kohm,5%,1/10W,TP,1608		RL10	2007-000090	R-CHIP:10Kohm,5%,1/10W,TP,1608	
R915	2007-001695	R-CHIP:22Kohm,0.5%,1/10W,TP,1608		RL11	2007-000078	R-CHIP:1Kohm,5%,1/10W,TP,1608	
R916	2007-000092	R-CHIP:15Kohm,5%,1/10W,TP,1608		RL12	2007-000134	R-CHIP:33Kohm,5%,1/10W,TP,1608	
R917	2007-000097	R-CHIP:47Kohm,5%,1/10W,TP,1608		RL13	2007-000096	R-CHIP:30Kohm,5%,1/10W,TP,1608	
R918	2007-000094	R-CHIP:22Kohm,5%,1/10W,TP,1608		RL14	2007-000102	R-CHIP:100Kohm,5%,1/10W,TP,1608	
R919	2007-001650	R-CHIP:8.2Kohm,0.5%,1/10W,TP,1608		RL15	2007-000134	R-CHIP:33Kohm,5%,1/10W,TP,1608	
R920	2007-001643	R-CHIP:100Kohm,0.5%,1/10W,TP,1608		RL16	2007-000124	R-CHIP:2.2Kohm,5%,1/10W,TP,1608	
R921	2007-001694	R-CHIP:12Kohm,0.5%,1/10W,TP,1608		RL17	2007-000102	R-CHIP:100Kohm,5%,1/10W,TP,1608	
R922	2007-000094	R-CHIP:22Kohm,5%,1/10W,TP,1608		RL18	2007-000090	R-CHIP:10Kohm,5%,1/10W,TP,1608	
R923	2007-001068	R-CHIP:6.8Kohm,1%,1/10W,TP,1608		RL19	2007-000075	R-CHIP:220ohm,5%,1/10W,TP,1608	
R924	2007-001694	R-CHIP:12Kohm,0.5%,1/10W,TP,1608		RL20	2007-000078	R-CHIP:1Kohm,5%,1/10W,TP,1608	
R925	2007-000458	R-CHIP:18Kohm,5%,1/10W,TP,1608		RL21	2007-000090	R-CHIP:10Kohm,5%,1/10W,TP,1608	
R926	2007-001644	R-CHIP:10Kohm,0.5%,1/10W,TP,1608		RL22	2007-000102	R-CHIP:100Kohm,5%,1/10W,TP,1608	
R927	2007-000043	R-CHIP:1Kohm,1%,1/10W,TP,1608		RL23	2007-000102	R-CHIP:100Kohm,5%,1/10W,TP,1608	
R928	2007-000086	R-CHIP:5.6Kohm,5%,1/10W,TP,1608		RL24	2007-000098	R-CHIP:56Kohm,5%,1/10W,TP,1608	
R929	2007-001649	R-CHIP:4.7Kohm,0.5%,1/10W,TP,1608		RL25	2007-000863	R-CHIP:4.3ohm,5%,1/8W,TP,2012	
R930	2007-000090	R-CHIP:10Kohm,5%,1/10W,TP,1608		RL26	2007-000863	R-CHIP:4.3ohm,5%,1/8W,TP,2012	
R931	2007-000084	R-CHIP:4.7Kohm,5%,1/10W,TP,1608		RL27	2007-000102	R-CHIP:100Kohm,5%,1/10W,TP,1608	
R932	2007-000094	R-CHIP:22Kohm,5%,1/10W,TP,1608		RL28	2007-000863	R-CHIP:4.3ohm,5%,1/8W,TP,2012	
R933	2007-000093	R-CHIP:20Kohm,5%,1/10W,TP,1608		RL29	2007-000863	R-CHIP:4.3ohm,5%,1/8W,TP,2012	
R934	2007-000084	R-CHIP:4.7Kohm,5%,1/10W,TP,1608		RL30	2007-000102	R-CHIP:100Kohm,5%,1/10W,TP,1608	
R935	2007-000090	R-CHIP:10Kohm,5%,1/10W,TP,1608		RL31	2007-000102	R-CHIP:100Kohm,5%,1/10W,TP,1608	

Loc.No	Part No	Description ; Specification	Remark	Loc.No	Part No	Description ; Specification	Remark
RL32	2007-000102	R-CHIP:100Kohm,5%,1/10W,TP,1608		RV05	2007-000763	R-CHIP:330ohm,1%,1/10W,TP,1608	
RL33	2007-000098	R-CHIP:56Kohm,5%,1/10W,TP,1608		RV06	2007-000098	R-CHIP:56Kohm,5%,1/10W,TP,1608	
RL34	2007-000084	R-CHIP:4.7Kohm,5%,1/10W,TP,1608		RV07	2007-000134	R-CHIP:33Kohm,5%,1/10W,TP,1608	
RL35	2007-000098	R-CHIP:56Kohm,5%,1/10W,TP,1608		RV12	2007-000102	R-CHIP:100Kohm,5%,1/10W,TP,1608	
RL38	2007-000450	R-CHIP:180ohm,5%,1/10W,TP,1608		RV14	2007-000124	R-CHIP:2.2Kohm,5%,1/10W,TP,1608	
RL39	2007-000450	R-CHIP:180ohm,5%,1/10W,TP,1608		RV15	2007-000078	R-CHIP:1Kohm,5%,1/10W,TP,1608	
RL43	2007-000074	R-CHIP:100ohm,5%,1/10W,TP,1608		RV16	2007-000078	R-CHIP:1Kohm,5%,1/10W,TP,1608	
RP01	2007-000078	R-CHIP:1Kohm,5%,1/10W,TP,1608		RV19	2007-000029	R-CHIP:0ohm,5%,1/8W,TP,2012	
RP02	2007-000078	R-CHIP:1Kohm,5%,1/10W,TP,1608		RV20	2007-000029	R-CHIP:0ohm,5%,1/8W,TP,2012	
RP06	2007-000109	R-CHIP:1Mohm,5%,1/10W,TP,1608		RV21	2007-000029	R-CHIP:0ohm,5%,1/8W,TP,2012	
RP07	2007-001042	R-CHIP:56ohm,1%,1/10W,TP,1608		RV25	2007-000070	R-CHIP:0ohm,5%,1/10W,TP,1608	
RP08	2007-001042	R-CHIP:56ohm,1%,1/10W,TP,1608		RV31	2007-000070	R-CHIP:0ohm,5%,1/10W,TP,1608	
RP09	2007-000078	R-CHIP:1Kohm,5%,1/10W,TP,1608		RV32	2007-000070	R-CHIP:0ohm,5%,1/10W,TP,1608	
RP10	2007-000309	R-CHIP:10ohm,5%,1/10W,TP,1608		SW601	3404-001034	SWITCH-TACT:12V,50mA,160gf,4x7.4x1.8mm,S	
RP11	2007-000287	R-CHIP:100OHM,1%,1/10W,DA,TP,1608		SW602	3404-001034	SWITCH-TACT:12V,50mA,160gf,4x7.4x1.8mm,S	
RP12	2007-000309	R-CHIP:10ohm,5%,1/10W,TP,1608		SW603	3404-001034	SWITCH-TACT:12V,50mA,160gf,4x7.4x1.8mm,S	
RP13	2007-000074	R-CHIP:100ohm,5%,1/10W,TP,1608		SW606	3404-001034	SWITCH-TACT:12V,50mA,160gf,4x7.4x1.8mm,S	
RP15	2007-000455	R-CHIP:18Kohm,1%,1/10W,TP,1608		SW607	3404-001034	SWITCH-TACT:12V,50mA,160gf,4x7.4x1.8mm,S	
RP16	2007-000052	R-CHIP:10Kohm,1%,1/10W,TP,1608		X601	2801-004146	CRYSTAL-SMD:20MHZ,30PPM, SX-3,18PF,300HM,	
RP17	2007-000084	R-CHIP:4.7Kohm,5%,1/10W,TP,1608		X602	2801-000258	CRYSTAL-UNIT:32.768KHz,20ppm,28-AAW,12.5	
RP18	2007-000125	R-CHIP:3.9Kohm,5%,1/10W,TP,1608		XP01	2801-004330	CRYSTAL-SMD:28.5MHz,18ppm, SX-7,8pf,30ohm	
RP19	2007-000087	R-CHIP:6.8Kohm,5%,1/10W,TP,1608					
RP20	2007-000097	R-CHIP:47Kohm,5%,1/10W,TP,1608		118	AD97-08382A	ASSY-CCD BOARD;-W8-PJ CCD B	
RP21	2007-000120	R-CHIP:680ohm,5%,1/10W,TP,1608		CC01	2203-000140	C-CER,CHIP:1.5nF,10%,50V,X7R,TP,1608,-	
RP23	2007-000040	R-CHIP:150ohm,1%,1/10W,TP,1608		CC02	2203-000189	C-CER,CHIP:100nF,+80-20%,25V,Y5V,TP,1608	
RP24	2007-000121	R-CHIP:820ohm,5%,1/10W,TP,1608		CC03	2404-000212	C-TA,CHIP:3.3uF,20%,25V,-,TP,3528	
RP25	2007-000077	R-CHIP:470ohm,5%,1/10W,TP,1608		CC04	2203-000189	C-CER,CHIP:100nF,+80-20%,25V,Y5V,TP,1608	
RP26	2007-000081	R-CHIP:2.7Kohm,5%,1/10W,TP,1608		CC05	2404-000212	C-TA,CHIP:3.3uF,20%,25V,-,TP,3528	
RP27	2007-000094	R-CHIP:22Kohm,5%,1/10W,TP,1608		CC06	2203-000189	C-CER,CHIP:100nF,+80-20%,25V,Y5V,TP,1608	
RP28	2007-000078	R-CHIP:1Kohm,5%,1/10W,TP,1608		CNC01	3711-004241	CONNECTOR-HEADER-BOX,18P2R,1MM,SMD-A,SN	
RP29	2007-000094	R-CHIP:22Kohm,5%,1/10W,TP,1608		DC02	0401-001054	DIODE-SWITCHING:KDS160,80V,100MA,SOD-323	
RP30	2007-001090	R-CHIP:620ohm,1%,1/10W,TP,1608		QC01	0505-000180	FET-SILICON:2SK1070,N-,50mA,-,150mW,SOT	
RP300	2007-000070	R-CHIP:0ohm,5%,1/10W,TP,1608	Not used CHINA	RC01	2007-000109	R-CHIP:1Mohm,5%,1/10W,TP,1608	
RP301	2007-000070	R-CHIP:0ohm,5%,1/10W,TP,1608	CHINA(900/906) Only	RC02	2007-000074	R-CHIP:100ohm,5%,1/10W,TP,1608	
RP302	2007-000070	R-CHIP:0ohm,5%,1/10W,TP,1608	VP-L900 Only	RC03	2007-000125	R-CHIP:3.9Kohm,5%,1/10W,TP,1608	
RP302	2007-000070	R-CHIP:0ohm,5%,1/10W,TP,1608	VP-L907/CHN Only	RC05	2007-000102	R-CHIP:100Kohm,5%,1/10W,TP,1608	
RP303	2007-000070	R-CHIP:0ohm,5%,1/10W,TP,1608	VP-L906 Only	RC07	2007-000070	R-CHIP:0ohm,5%,1/10W,TP,1608	
RP303	2007-000070	R-CHIP:0ohm,5%,1/10W,TP,1608	CHINA(900/907) Only				
RP304	2007-000070	R-CHIP:0ohm,5%,1/10W,TP,1608	VP-L907 Only	142	AD97-04472A	ASSY-FRONT BOARD:FRONT,W3-PJ,RMT 0,LIGHT	VP-L906 Only
RP304	2007-000070	R-CHIP:0ohm,5%,1/10W,TP,1608	CHINA(906) Only	CN801	AD39-00054A	CBF HARNESS:-,-,12P,-,-,35023,TAPE,5	
RP31	2007-000078	R-CHIP:1Kohm,5%,1/10W,TP,1608		CN802	3711-000780	CONNECTOR-HEADER-BOX,2P,1R,1.25MM,STRAIG	
RP32	2007-000052	R-CHIP:10Kohm,1%,1/10W,TP,1608		J801	3722-001441	JACK-PHONE:3P,3.6PI,AG,BLK,-	
RP33	2007-000455	R-CHIP:18Kohm,1%,1/10W,TP,1608					
RP34	2007-000087	R-CHIP:6.8Kohm,5%,1/10W,TP,1608		142	AD97-08537A	ASSY-FRONT BOARD(USB)-W8-PJ,VP-L907/SC-L	VP-L907 Only
RP35	2007-000086	R-CHIP:5.6Kohm,5%,1/10W,TP,1608		C801	2203-000189	C-CER,CHIP:100nF,+80-20%,25V,Y5V,TP,1608	
RP36	2007-000052	R-CHIP:10Kohm,1%,1/10W,TP,1608		C802	2203-000189	C-CER,CHIP:100nF,+80-20%,25V,Y5V,TP,1608	
RP37	2007-000455	R-CHIP:18Kohm,1%,1/10W,TP,1608		C803	2203-000189	C-CER,CHIP:100nF,+80-20%,25V,Y5V,TP,1608	
RP38	2007-000090	R-CHIP:10Kohm,5%,1/10W,TP,1608		C805	2203-000189	C-CER,CHIP:100nF,+80-20%,25V,Y5V,TP,1608	
RP40	2007-000070	R-CHIP:0ohm,5%,1/10W,TP,1608	VP-L900 Only	C806	2203-000189	C-CER,CHIP:100nF,+80-20%,25V,Y5V,TP,1608	
RP41	2007-000070	R-CHIP:0ohm,5%,1/10W,TP,1608	VP-L900 Only	C807	2203-000626	C-CER,CHIP:0.022nF,5%,50V,COG,TP,1608	
RP42	2007-000070	R-CHIP:0ohm,5%,1/10W,TP,1608	VP-L900 Only	C808	2203-000626	C-CER,CHIP:0.022nF,5%,50V,COG,TP,1608	
RP43	2007-000070	R-CHIP:0ohm,5%,1/10W,TP,1608	VP-L900 Only	C809	2404-001020	C-TA,CHIP:10uF,20%,10V,GP,TP,3216	
RP44	2007-000070	R-CHIP:0ohm,5%,1/10W,TP,1608	VP-L900 Only	C810	2203-005887	C-CER,CHIP:680NF,+80-20%,10V,Y5V,TP,1608	
RP45	2007-000070	R-CHIP:0ohm,5%,1/10W,TP,1608	VP-L900 Only	C811	2404-001020	C-TA,CHIP:10uF,20%,10V,GP,TP,3216	
RP46	2007-000070	R-CHIP:0ohm,5%,1/10W,TP,1608	VP-L900 Only	C812	2203-000189	C-CER,CHIP:100nF,+80-20%,25V,Y5V,TP,1608	
RP47	2007-000070	R-CHIP:0ohm,5%,1/10W,TP,1608	VP-L900 Only	C813	2203-000783	C-CER,CHIP:0.33NF,5%,50V,COG,TP,1608	
RP48	2007-000070	R-CHIP:0ohm,5%,1/10W,TP,1608	VP-L900 Only	C814	2203-000783	C-CER,CHIP:0.33NF,5%,50V,COG,TP,1608	
RP49	2007-000070	R-CHIP:0ohm,5%,1/10W,TP,1608	VP-L900 Only	C817	2203-000189	C-CER,CHIP:100nF,+80-20%,25V,Y5V,TP,1608	
RP50	2007-000119	R-CHIP:560ohm,5%,1/10W,TP,1608		C818	2404-001020	C-TA,CHIP:10uF,20%,10V,GP,TP,3216	
RP51	2007-000287	R-CHIP:100OHM,1%,1/10W,DA,TP,1608		C820	2203-000189	C-CER,CHIP:100nF,+80-20%,25V,Y5V,TP,1608	
RP52	2007-000076	R-CHIP:330ohm,5%,1/10W,TP,1608		C821	2203-000189	C-CER,CHIP:100nF,+80-20%,25V,Y5V,TP,1608	
RP53	2007-000863	R-CHIP:4.3ohm,5%,1/8W,TP,2012		C822	2404-001020	C-TA,CHIP:10uF,20%,10V,GP,TP,3216	
RV01	2007-000078	R-CHIP:1Kohm,5%,1/10W,TP,1608		C823	2203-000384	C-CER,CHIP:0.015NF,5%,50V,COG,TP,1608	
RV02	2007-000763	R-CHIP:330ohm,1%,1/10W,TP,1608		C824	2203-000384	C-CER,CHIP:0.015NF,5%,50V,COG,TP,1608	
RV03	2007-000078	R-CHIP:1Kohm,5%,1/10W,TP,1608		C825	2404-001020	C-TA,CHIP:10uF,20%,10V,GP,TP,3216	
RV04	2007-000763	R-CHIP:330ohm,1%,1/10W,TP,1608		C826	2404-001020	C-TA,CHIP:10uF,20%,10V,GP,TP,3216	

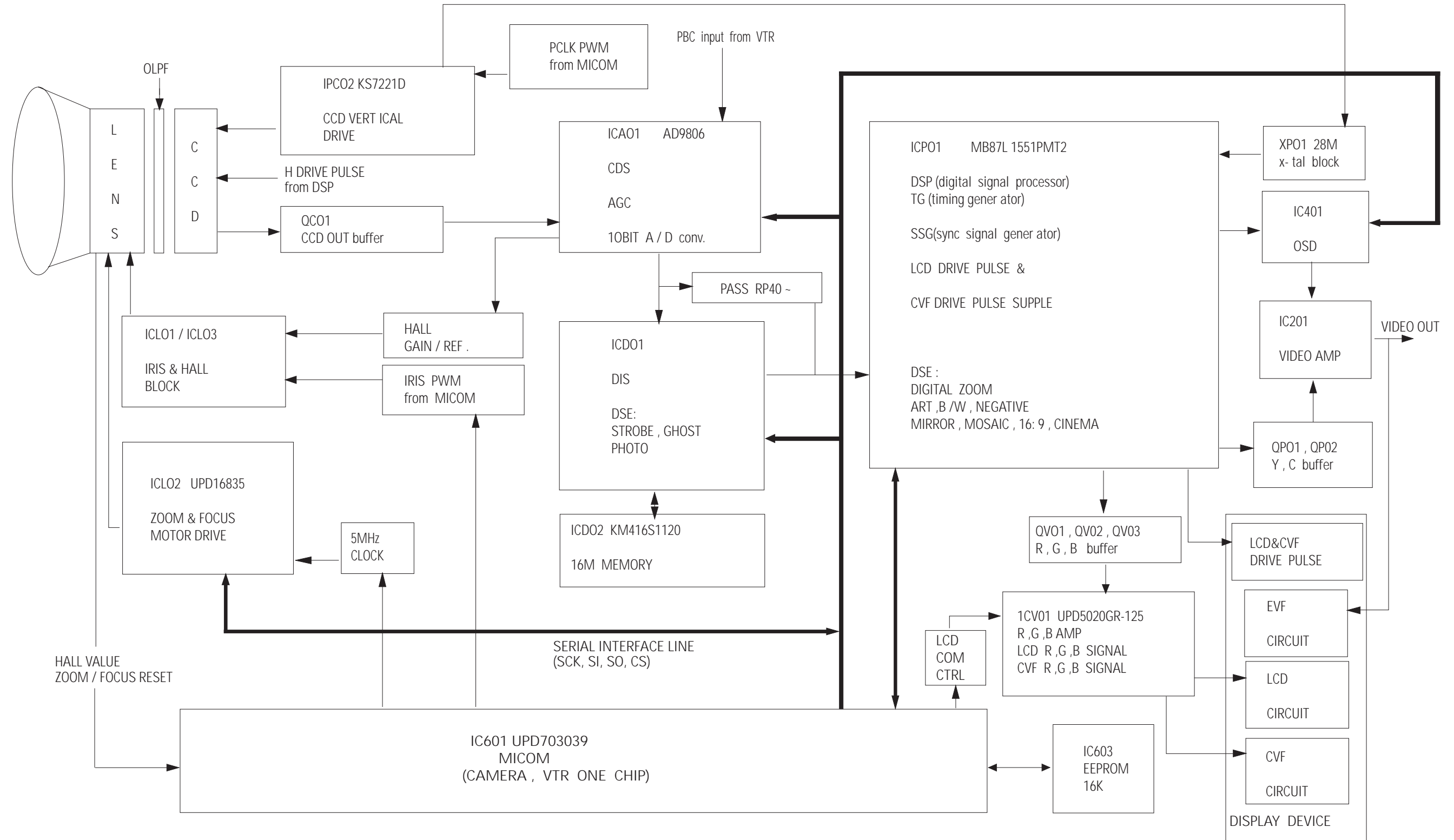
Electrical Parts List

Loc.No	Part No	Description ; Specification	Remark	Loc.No	Part No	Description ; Specification	Remark
C827	2203-000189	C-CER,CHIP:100nF,+80-20%,25V,Y5V,TP,1608		R466	2007-007948	R-CHIP:0.1ohm,1%,1/2W,TP,5025	
C828	2203-000189	C-CER,CHIP:100nF,+80-20%,25V,Y5V,TP,1608		R472	2007-000077	R-CHIP:470ohm,5%,1/10W,TP,1608	
C829	2404-001020	C-TA,CHIP:10uF,20%,10V,GP,TP,3216		R473	2007-000071	R-CHIP:22ohm,5%,1/10W,TP,1608	
C830	2203-000189	C-CER,CHIP:100nF,+80-20%,25V,Y5V,TP,1608		R473	2007-000077	R-CHIP:470ohm,5%,1/10W,TP,1608	
CN801	3711-003057	CONNECTOR-HEADER:BOX,6P,1R,1.25MM,SMD-S,		SW471	3404-001117	SWITCH-TACT:12V,50mA,130gf,8.0x3.7x2.5mm	
CN802	3711-000780	CONNECTOR-HEADER:BOX,2P,1R,1.25MM,STRAIG		SW473	3404-001117	SWITCH-TACT:12V,50mA,130gf,8.0x3.7x2.5mm	
CN803	3722-001741	JACK-MINI USB:5P/1C,AU30U,BLK,SMD-A,-		SW474	3404-001117	SWITCH-TACT:12V,50mA,130gf,8.0x3.7x2.5mm	
IC801	0904-001660	IC-USC:ST9967,16BIT,BGA,108P,12X12MM,		SW477	3409-001035	SWITCH-DETECTOR:3-5V,50uA-10mA,2.30gf,LE	
IC802	1204-001979	IC-DECODER:VPX3226E,PLASTIC,44P,13X13MM,		SW478	3409-001036	SWITCH-DETECTOR:3-5V,50uA-10mA,2.30gf,LE	
IC803	1203-002444	IC-POS:FIXED REG.:XC6203E332PR,SOT-89,3		VR471	2102-001019	VR-SLIDE:10Kohm,30%,1/20W,SLIDE	
J801	3722-001441	JACK-PHONE:3P,3.6PI,AG,BLK,-					
L801	2703-000187	INDUCTOR-SMD:3.3uH,5%,2520		224	AD97-08261B	ASSY-FUNCTION BOARD:W8-PJ,VP-L901,RMT X	VP-L900 Only
L802	2901-001022	CORE-FERRITE BEAD:60ohm,1.6x0.8x0.8mm,20			AD97-08261A	ASSY-FUNCTION BOARD:W8-PJ,VP-L907,PAL/NT	VP-L906/L907 Only
L803	2901-001215	FILTER-EMI SMD:25V,2A,-,10000PF,2.0X1.2		CN471	3708-001564	CONNECTOR-FPC/FFC/PIC:19P,1MM,ANGLE,SN,N	
L804	2901-001022	CORE-FERRITE BEAD:60ohm,1.6x0.8x0.8mm,20		CN472	3708-001706	CONNECTOR-FPC/FFC/PIC:6P,1MM,ANGLE,SN,NO	
L805	2901-001215	FILTER-EMI SMD:25V,2A,-,10000PF,2.0X1.2		CN473	3711-000826	CONNECTOR-HEADER:BOX,2P,1R,2mm,ANGLE,SN	
L806	2901-001215	FILTER-EMI SMD:25V,2A,-,10000PF,2.0X1.2		R471	2004-000971	R-METAL:470ohm,1%,1/8W,AA,TP,1.8x3.2mm	
L807	2901-001215	FILTER-EMI SMD:25V,2A,-,10000PF,2.0X1.2		R472	2004-000413	R-METAL:18Kohm,1%,1/8W,AA,TP,1.8x3.2mm	
L808	2901-001215	FILTER-EMI SMD:25V,2A,-,10000PF,2.0X1.2		R473	2004-000798	R-METAL:33Kohm,1%,1/8W,AA,TP,1.8x3.2mm	
L809	2901-001215	FILTER-EMI SMD:25V,2A,-,10000PF,2.0X1.2		R474	2004-000798	R-METAL:33Kohm,1%,1/8W,AA,TP,1.8x3.2mm	
Q801	0505-001155	FET-SILICON:SI2301DS,P-12V,-2.3A,130moh		R475	2004-000971	R-METAL:470ohm,1%,1/8W,AA,TP,1.8x3.2mm	
Q802	0505-001155	FET-SILICON:SI2301DS,P-12V,-2.3A,130moh		R476	2004-000413	R-METAL:18Kohm,1%,1/8W,AA,TP,1.8x3.2mm	
Q803	0505-000110	FET-SILICON:2N7002,N,60V,115mA,7.5ohm,0.		R477	2004-000798	R-METAL:33Kohm,1%,1/8W,AA,TP,1.8x3.2mm	
R801	2007-000090	R-CHIP:10Kohm,5%,1/10W,TP,1608		R478	2004-000798	R-METAL:33Kohm,1%,1/8W,AA,TP,1.8x3.2mm	
R802	2007-000090	R-CHIP:10Kohm,5%,1/10W,TP,1608		RM471	AD32-00010A	MODULE REMOCON-PIC-2604 SM1,37.9KHz,940n	
R803	2007-000109	R-CHIP:1Mohm,5%,1/10W,TP,1608		SW471	3404-001118	SWITCH-TACT:12V DC,50mA,130gf,5x6x4.3mm,	
R804	2007-000090	R-CHIP:10Kohm,5%,1/10W,TP,1608		SW472	3404-001118	SWITCH-TACT:12V DC,50mA,130gf,5x6x4.3mm,	
R805	2007-001167	R-CHIP:75ohm,5%,1/10W,TP,1608		SW473	3404-001192	SWITCH-TACT:12V DC,50mA,130GF,7.3x6.72x7	
R809	2007-000123	R-CHIP:1.5Kohm,5%,1/10W,TP,1608		SW474	3404-001192	SWITCH-TACT:12V DC,50mA,130GF,7.3x6.72x7	
R810	2007-000659	R-CHIP:27ohm,5%,1/10W,TP,1608		SW475	3404-001118	SWITCH-TACT:12V DC,50mA,130gf,5x6x4.3mm,	
R811	2007-000659	R-CHIP:27ohm,5%,1/10W,TP,1608		SW476	3404-001118	SWITCH-TACT:12V DC,50mA,130gf,5x6x4.3mm,	
R812	2007-000090	R-CHIP:10Kohm,5%,1/10W,TP,1608		SW477	3404-001118	SWITCH-TACT:12V DC,50mA,130gf,5x6x4.3mm,	
R813	2007-000090	R-CHIP:10Kohm,5%,1/10W,TP,1608		SW478	3404-001118	SWITCH-TACT:12V DC,50mA,130gf,5x6x4.3mm,	
R814	2007-000090	R-CHIP:10Kohm,5%,1/10W,TP,1608		SW479	3409-001127	SWITCH-DETECTOR:5VDC,1mA,1,31gf,LEVER	
X801	2801-003825	CRYSTAL-SMD:12MHZ,30PPM,28ABV,20PF,700HM		VR471	2101-001078	VR-ROTARY:1ohm,-,-,TOP	
X802	2801-004163	CRYSTAL-SMD:20.25MHZ,20PPM,28-ABU,20PF,5		283	AD97-08256A	ASSY-LCD BOARD:W8-PJ,VP-L907,PAL	
165	AD97-08495A	ASSY-REAR BOARD:W8-PJ,VP-L907/SC-L907,PA		CL101	2203-005186	C-CER,CHIP:2.2uF,10%,16V,X7R,TP,3216,-	
CA51	2203-000257	C-CER,CHIP:10nF,10%,50V,X7R,TP,1608		CL103	2301-001108	C-FILM,SMD-PPS:22nF,5%,50V,TP,3.2x2.5x1.	
CN451	3710-001676	CONNECTOR-SOCKET:38P,2R,0.8mm,SMD-S,SN		CL106	2203-000189	C-CER,CHIP:100nF,+80-20%,25V,Y5V,TP,1608	
CN452	3710-001479	CONNECTOR-SOCKET:14P,2R,1MM,SMD-S,SN		CL107	2404-001131	C-TA,CHIP:22UF,10%,10V,GP,TP,3528	
D451	0601-001419	LED-SMD,RED,3.2X1.6X1.1MM,660NM,3.		CL108	2203-000189	C-CER,CHIP:100nF,+80-20%,25V,Y5V,TP,1608	
IC451	1201-001376	IC-OP AMP:75W01,SSOP,8P,110MIL,DUAL,-,PL		CL109	2203-005046	C-CER,CHIP:0.022nF,5%,3kV,NP0,TP,4520	
J451	AD97-08499A	ASSY-DC JACK:TC18-430-01,W8-PJ,STRAIGHT		CL202	2203-005186	C-CER,CHIP:2.2uF,10%,16V,X7R,TP,3216,-	
J452	AD97-01200A	ASSY-S-JACK:M1-PJ,-,-		CL203	2203-005186	C-CER,CHIP:2.2uF,10%,16V,X7R,TP,3216,-	
J453	3722-001202	JACK-PHONE:7P,3.6PI,AG,YEL,NO		CL205	2404-000157	C-TA,CHIP:1uF,20%,35V,-,TP,3216	
Q451	0504-001037	TR-DIGITAL:KRC401,NPN,100MW,4.7K/4.7K,SO		CL207	2404-000157	C-TA,CHIP:1uF,20%,35V,-,TP,3216	
Q452	0504-001032	TR-DIGITAL:KRC404,NPN,100MW,47K/47K,SOT-		CNL101	3708-001603	CONNECTOR-FPC/FFC/PIC:24P,0.5MM,SMD-A,SN	
Q453	0505-001726	FET-SILICON:ECH8603,P-,20V,-4A,37MOHM,1.		CNL201	3708-001604	CONNECTOR-FPC/FFC/PIC:24P,0.5MM,SMD-A,SN	
Q454	0501-000172	TR-SMALL SIGNAL:2SB1121,PNP,500mW,PCP,TP		LED01	0601-001097	LED-SMD,GRN,1.6X1.4MM,560NM,3.2X1.	
Q455	0501-000172	TR-SMALL SIGNAL:2SB1121,PNP,500mW,PCP,TP		LL101	2703-000396	INDUCTOR-SMD:10uH,10%,2520	
Q456	0504-001032	TR-DIGITAL:KRC404,NPN,100MW,47K/47K,SOT-		LL103	2703-001196	INDUCTOR-SMD:150uH,20%,7070	
Q457	0504-001035	TR-DIGITAL:KRA301,PNP,100MW,4.7K/4.7K,SO		LL201	2703-000396	INDUCTOR-SMD:10uH,10%,2520	
Q458	0504-001032	TR-DIGITAL:KRC404,NPN,100MW,47K/47K,SOT-		LL202	2703-000396	INDUCTOR-SMD:10uH,10%,2520	
R451	2007-000072	R-CHIP:47ohm,5%,1/10W,TP,1608		LL203	2703-001883	INDUCTOR-SMD:22uH,10%,2520	
R452	2007-000102	R-CHIP:100Kohm,5%,1/10W,TP,1608		LL204	2703-001883	INDUCTOR-SMD:22uH,10%,2520	
R453	2007-000092	R-CHIP:15Kohm,5%,1/10W,TP,1608		QL101	0501-002310	TR-SMALL SIGNAL:HN1B04FU,PNP/NPN,200mW,U	
R454	2007-000102	R-CHIP:100Kohm,5%,1/10W,TP,1608		QL102	0504-001037	TR-DIGITAL:KRC401,NPN,100MW,4.7K/4.7K,SO	
R455	2007-000109	R-CHIP:1Mohm,5%,1/10W,TP,1608		QL103	0502-001182	TR-POWER:KTD1898,NPN,500mW,SOT-89,TP,12	
R456	2007-000923	R-CHIP:470Kohm,1%,1/10W,TP,1608		QL104	0502-001182	TR-POWER:KTD1898,NPN,500mW,SOT-89,TP,12	
R457	2007-000563	R-CHIP:220Kohm,1%,1/10W,TP,1608		RL101	2007-000078	R-CHIP:1Kohm,5%,1/10W,TP,1608	
R458	2007-001198	R-CHIP:820ohm,1%,1/8W,TP,2012		RL102	2007-000123	R-CHIP:1.5Kohm,5%,1/10W,TP,1608	
R459	2007-001198	R-CHIP:820ohm,1%,1/8W,TP,2012		RL103	2007-000116	R-CHIP:120ohm,5%,1/10W,TP,1608	
R460	2007-000067	R-CHIP:15Kohm,1%,1/10W,TP,1608		RL104	2007-000516	R-CHIP:2.7Kohm,1%,1/10W,TP,1608	
R461	2007-000043	R-CHIP:1Kohm,1%,1/10W,TP,1608		RL105	2007-000516	R-CHIP:2.7Kohm,1%,1/10W,TP,1608	
R462	2007-000090	R-CHIP:10Kohm,5%,1/10W,TP,1608		RL106	2007-000094	R-CHIP:22Kohm,5%,1/10W,TP,1608	

Loc.No	Part No	Description ; Specification	Remark	Loc.No	Part No	Description ; Specification	Remark
RL107	2007-000070	R-CHIP:0ohm,5%,1/10W,TP,1608					
RL203	2007-000106	R-CHIP:220Kohm,5%,1/10W,TP,1608					
SWL101	3409-001035	SWITCH-DETECTOR:3-5V,50uA-10mA,2,30gf.LE					
TL101	AD26-82001C	TRANS-INVERTER:843TG-1005,-,9.25uH,7P,5V					
	AD97-08645A	ASSY-EVF BOARD(PAL);8mm,W8-PJ,EVF BOARD(
CE01	2404-001020	C-TA,CHIP:10uF,20%,10V,GP,TP,3216					
CE02	2203-000189	C-CER,CHIP:100nF,+80-20%,25V,Y5V,TP,1608					
CE03	2203-000189	C-CER,CHIP:100nF,+80-20%,25V,Y5V,TP,1608					
CE04	2203-000440	C-CER,CHIP:1nF,10%,50V,X7R,TP,1608,-					
CE05	2404-000284	C-TA,CHIP:10uF,20%,16V,-,TP,3528					
CE07	2404-001020	C-TA,CHIP:10uF,20%,10V,GP,TP,3216					
CE08	2203-000189	C-CER,CHIP:100nF,+80-20%,25V,Y5V,TP,1608					
CE10	2203-000189	C-CER,CHIP:100nF,+80-20%,25V,Y5V,TP,1608					
CE11	2203-000189	C-CER,CHIP:100nF,+80-20%,25V,Y5V,TP,1608					
CE12	2203-000189	C-CER,CHIP:100nF,+80-20%,25V,Y5V,TP,1608					
CE13	2203-000975	C-CER,CHIP:47nF,10%,25V,X7R,TP,1608,-					
CE14	2404-000151	C-TA,CHIP:1uF,20%,16V,-,TP,3216					
CE15	2404-000151	C-TA,CHIP:1uF,20%,16V,-,TP,3216					
CE16	2404-001020	C-TA,CHIP:10uF,20%,10V,GP,TP,3216					
CE17	2203-000189	C-CER,CHIP:100nF,+80-20%,25V,Y5V,TP,1608					
CE18	2203-000189	C-CER,CHIP:100nF,+80-20%,25V,Y5V,TP,1608					
CE19	2203-000189	C-CER,CHIP:100nF,+80-20%,25V,Y5V,TP,1608					
CE20	2404-001020	C-TA,CHIP:10uF,20%,10V,GP,TP,3216					
CNE01	3708-001680	CONNECTOR-FPC/FFC/PIC:6P,0.5MM,SMD-A,SN,					
CNE02	3708-001076	CONNECTOR-FPC/FFC/PIC:20P,0.5MM,SMD-S,SN					
DE02	0401-001054	DIODE-SWITCHING:KDS160,80V,100MA,SOD-323					
DE03	0404-000110	DIODE-SCHOTTKY:RB411D,20V,500MA,SOT-23,T					
DE04	0403-001421	DIODE-ZENER:KDZ2.7V,2.5-2.9V,150MW,SOD-3					
ICE01	1003-001373	IC-LCD DRIVER:MCV0111FB,LOFP,48P,276MIL					
LE01	2703-000397	INDUCTOR-SMD:33uH,10%,2520					
LE03	2703-000397	INDUCTOR-SMD:33uH,10%,2520					
LED01	0601-001586	LED:SMD,WHT,-,470NM,3.2X2X1.2MM					
QE02	0501-002310	TR-SMALL SIGNAL:HN1B04FU,PNP/NPN,200mW,U					
RE01	2007-001125	R-CHIP:68Kohm,1%,1/10W,TP,1608					
RE02	2007-001068	R-CHIP:6.8Kohm,1%,1/10W,TP,1608					
RE05	2007-000772	R-CHIP:33Kohm,1%,1/10W,TP,1608					
RE06	2007-000828	R-CHIP:39Kohm,1%,1/10W,TP,1608					
RE07	2007-000078	R-CHIP:1Kohm,5%,1/10W,TP,1608					
RE16	2007-000090	R-CHIP:10Kohm,5%,1/10W,TP,1608					
RE17	2007-000082	R-CHIP:3.3Kohm,5%,1/10W,TP,1608					
RE19	2007-000090	R-CHIP:10Kohm,5%,1/10W,TP,1608					
RE21	2007-000091	R-CHIP:12Kohm,5%,1/10W,TP,1608					
RE22	2007-000075	R-CHIP:220ohm,5%,1/10W,TP,1608					
RE24	2007-000084	R-CHIP:4.7Kohm,5%,1/10W,TP,1608					
RE25	2007-000097	R-CHIP:47Kohm,5%,1/10W,TP,1608					
RE26	2007-000125	R-CHIP:3.9Kohm,5%,1/10W,TP,1608					
RE29	2007-000091	R-CHIP:12Kohm,5%,1/10W,TP,1608					
RE30	2007-000074	R-CHIP:100ohm,5%,1/10W,TP,1608					
RE31	2007-000074	R-CHIP:100ohm,5%,1/10W,TP,1608					
VRE02	2104-001007	VR-SMD:10Kohm,25%,0.15W,TOP					

MEMO

5. Block Diagram



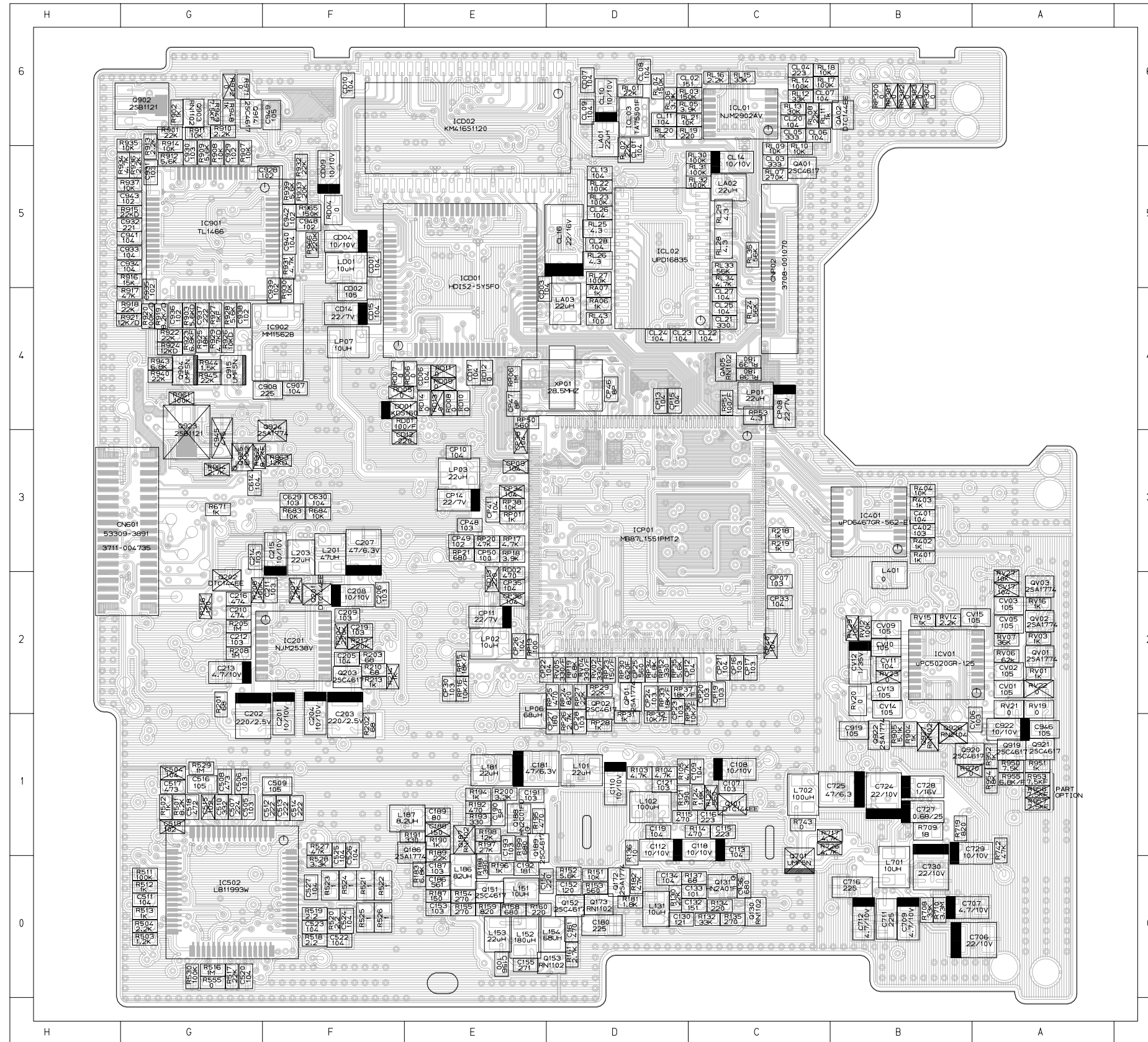
MEMO

6. PCB Diagrams

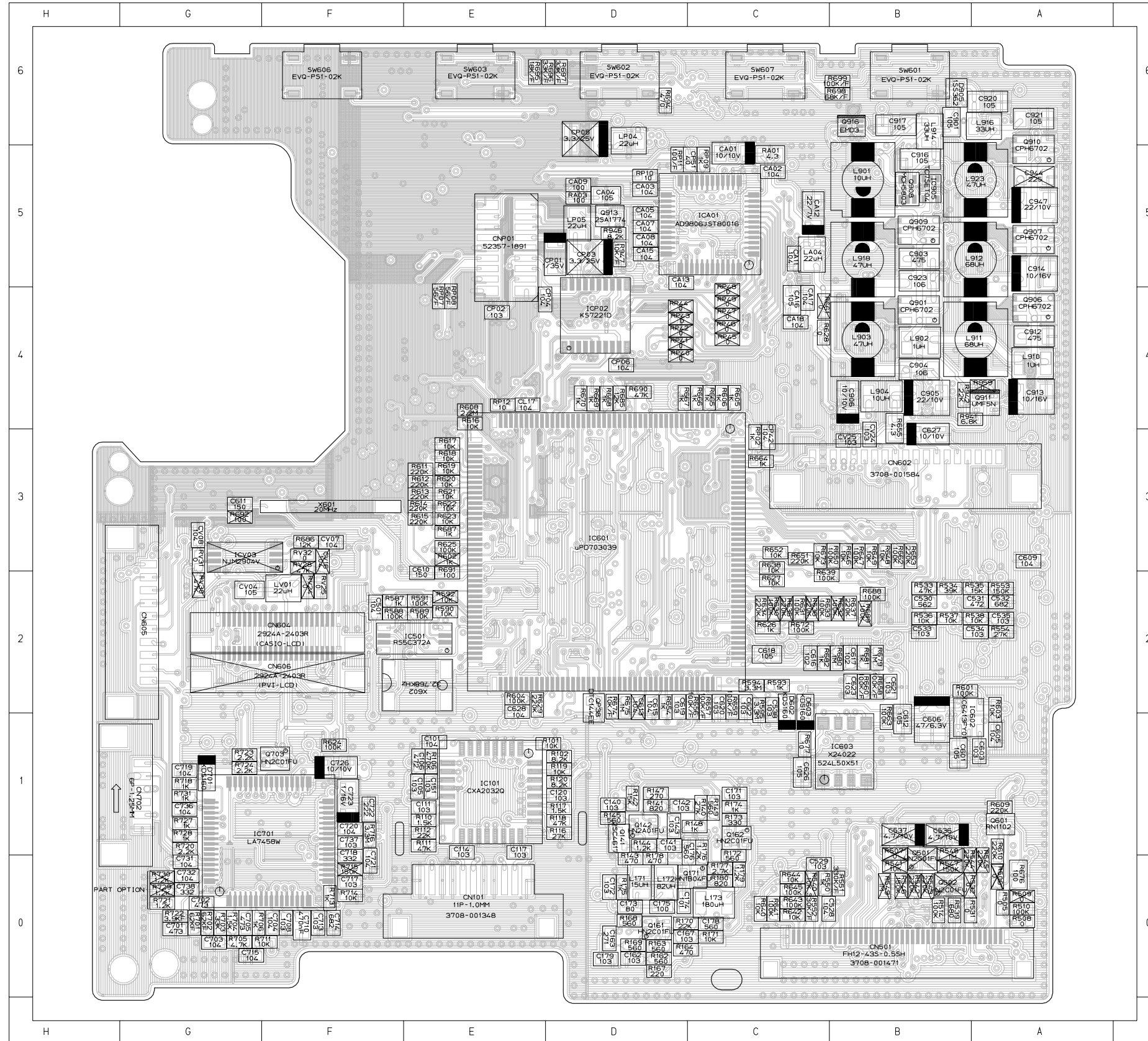
	Page
6-1 Main PCB - - - - -	6-2
6-2 Rear PCB - - - - -	6-4
6-3 EVF PCB - - - - -	6-4
6-4 CCD PCB - - - - -	6-5
6-5 LCD PCB - - - - -	6-5
6-6 Front PCB - - - - -	6-6
6-7 Function PCB - - - - -	6-6

6-1 Main PCB

COMPONENT SIDE

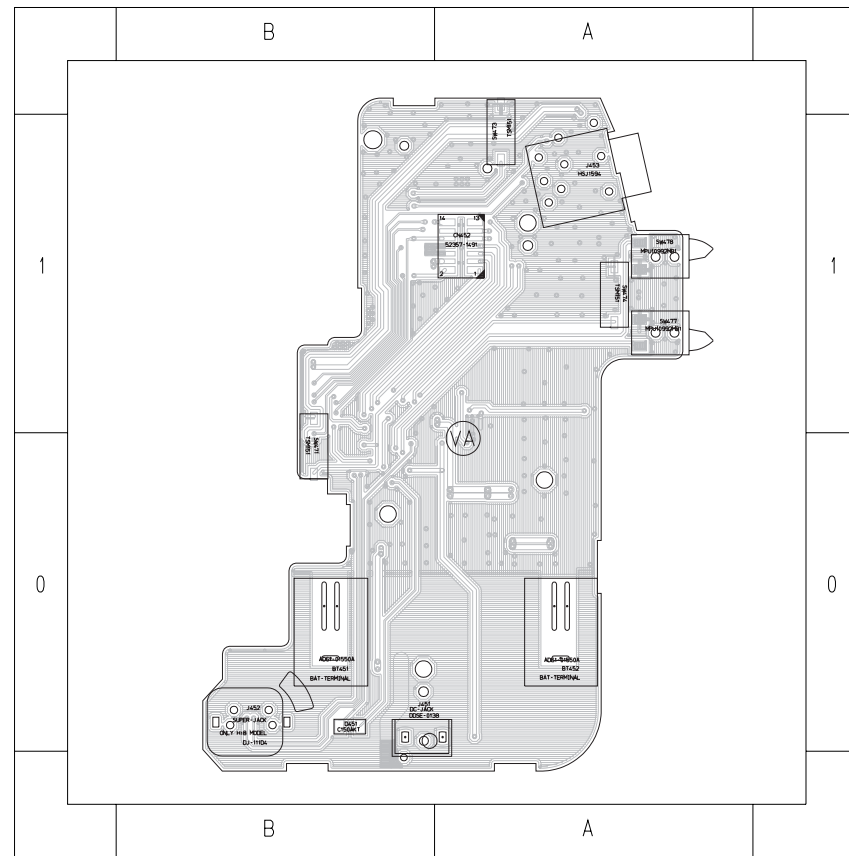


CONDUCTOR SIDE

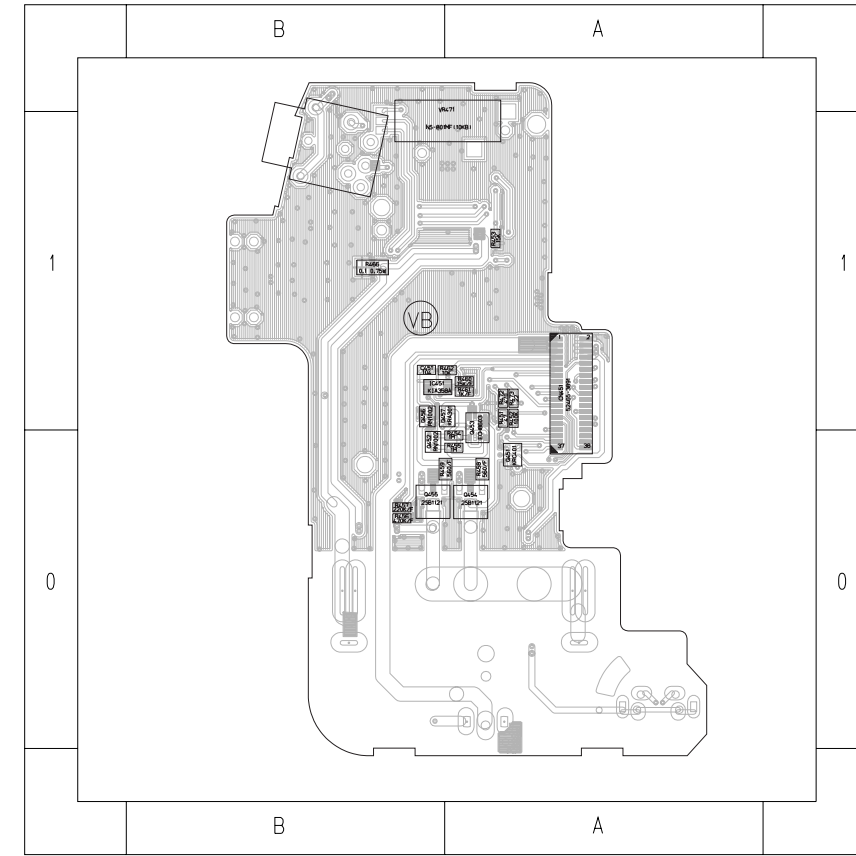


6-2 Rear PCB

COMPONENT SIDE

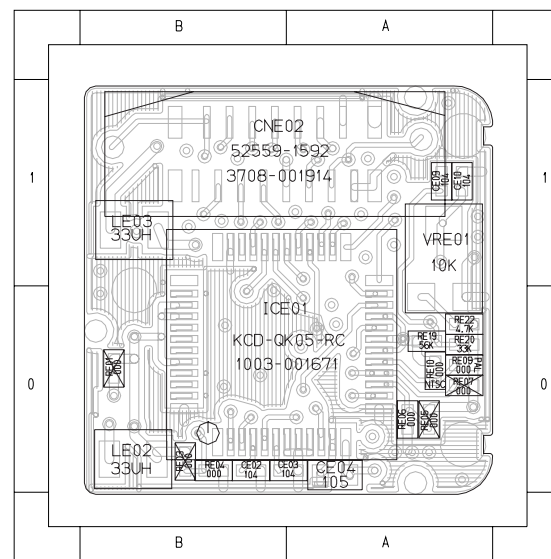


CONDUCTOR SIDE

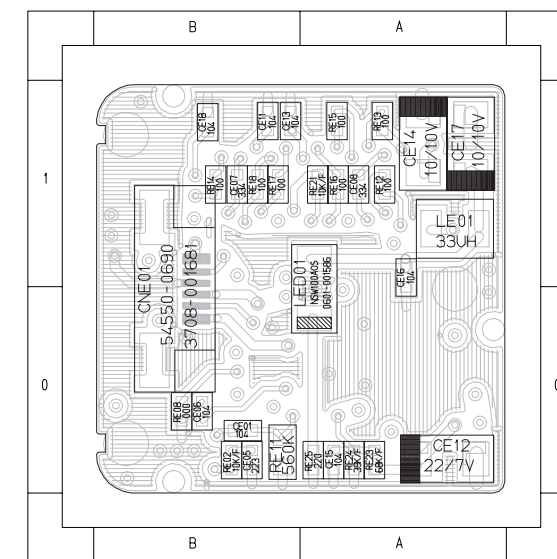


6-3 EVF PCB

COMPONENT SIDE

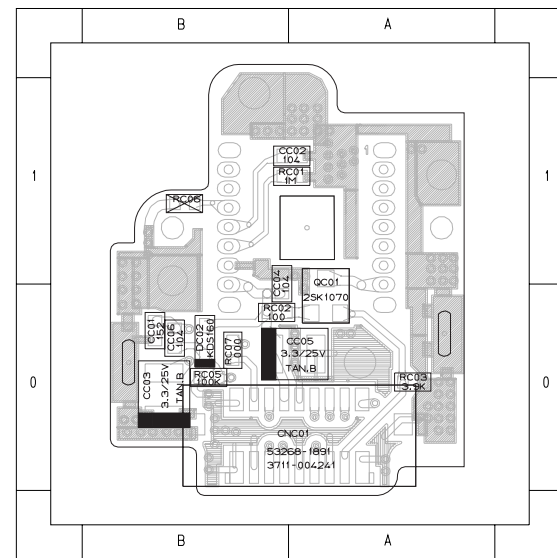


CONDUCTOR SIDE

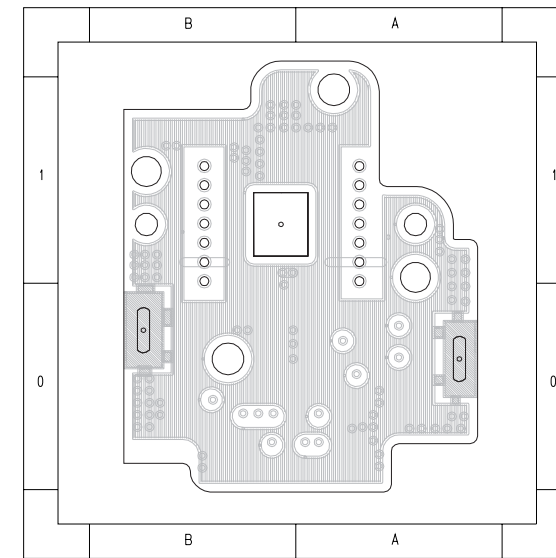


6-4 CCD PCB

COMPONENT SIDE

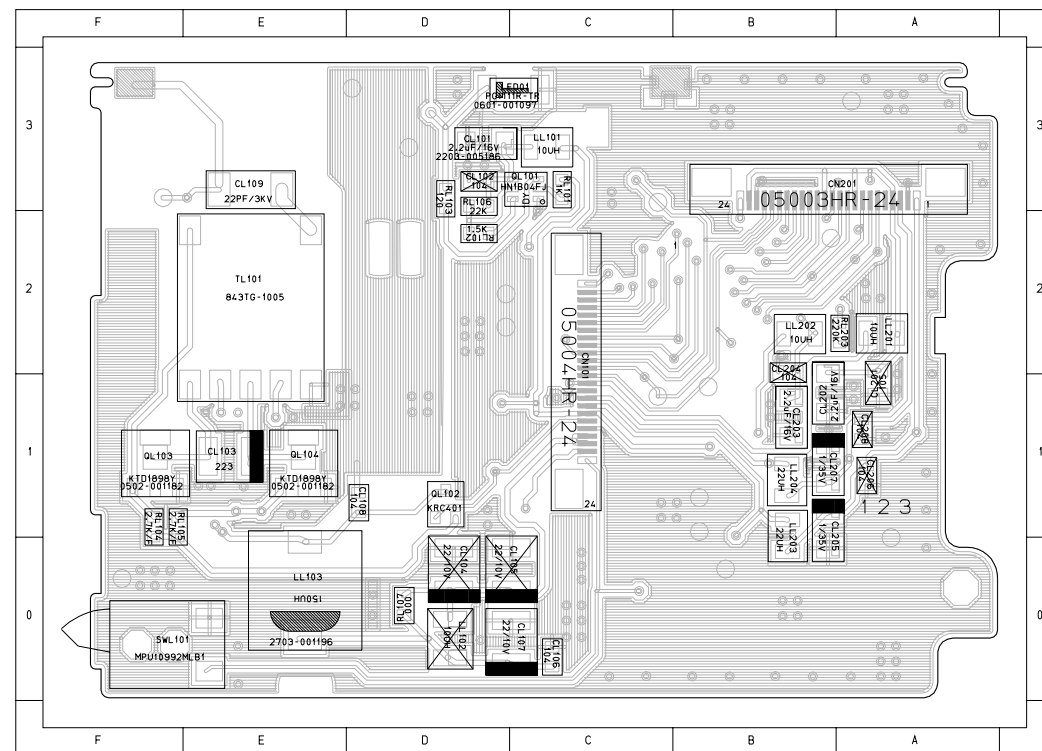


CONDUCTOR SIDE

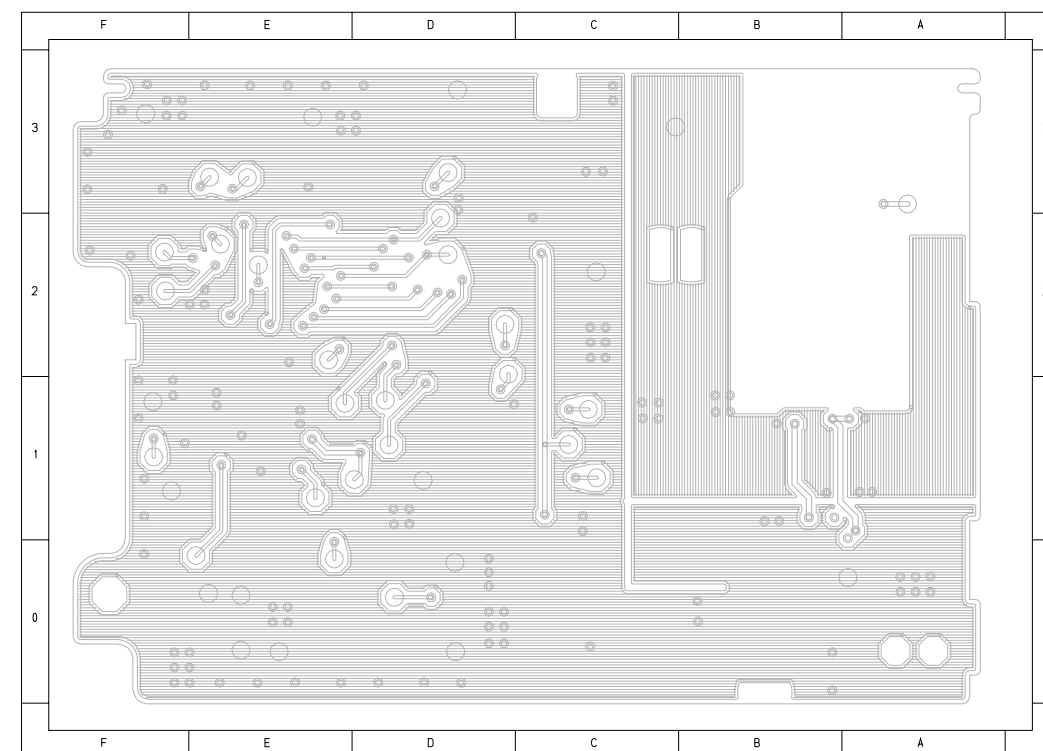


6-5 LCD PCB

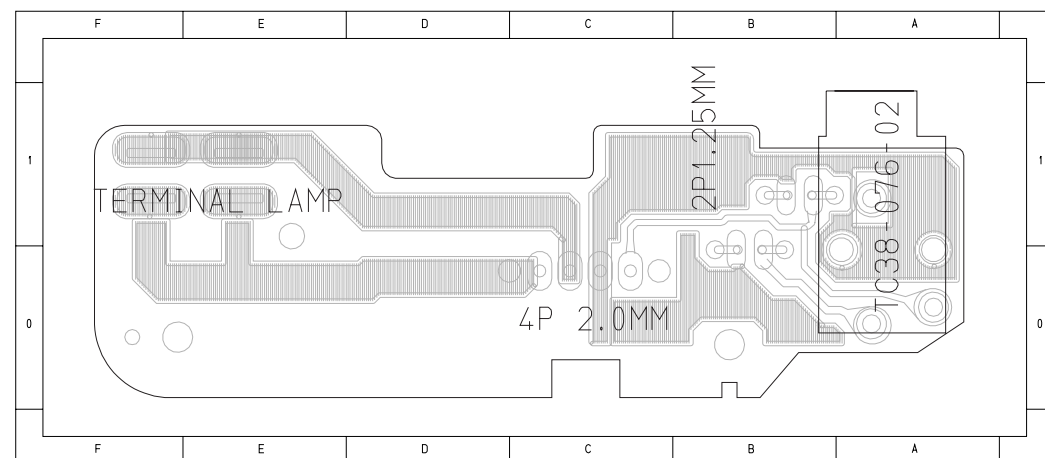
COMPONENT SIDE



CONDUCTOR SIDE

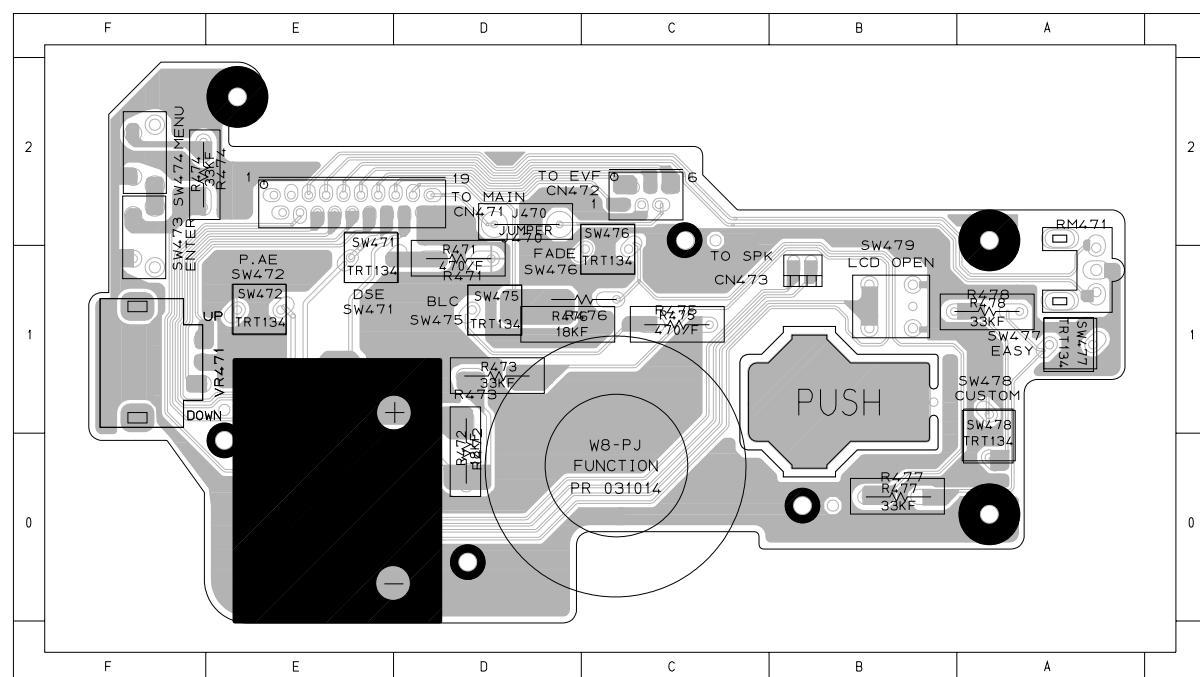


6-6 Front PCB



	CN802 A	CN802 B
EXT-MIC 0	0	X
EXT-MIC X	X	0

6-7 Function PCB



7. Schematic Diagrams

	Page
7-1 DC/DC Converter (Main PCB) - - - - -	7-2
7-2 System Control/Servo (Main PCB) - - - - -	7-3
7-3 Pre Amp (Main PCB)- - - - -	7-4
7-4 Audio (Main PCB) - - - - -	7-5
7-5 Camera (Main PCB) - - - - -	7-6
7-6 Function (Function PCB) - - - - -	7-7
7-7 Front (Front PCB) - - - - -	7-8
7-8 Rear (Rear PCB)- - - - -	7-9
7-9 EVF (EVF PCB) - - - - -	7-10
7-10 LCD (LCD PCB) - - - - -	7-11
7-11 CCD (CCD PCB)- - - - -	7-12

Note

For schematic Diagram
- Resistors are in ohms, 1/8W unless otherwise noted.

Special note :

Most semiconductor devices are electrostatically sensitive and therefore require the special handling techniques described under the "electrostatically sensitive (ES) devices" section of this service manual.

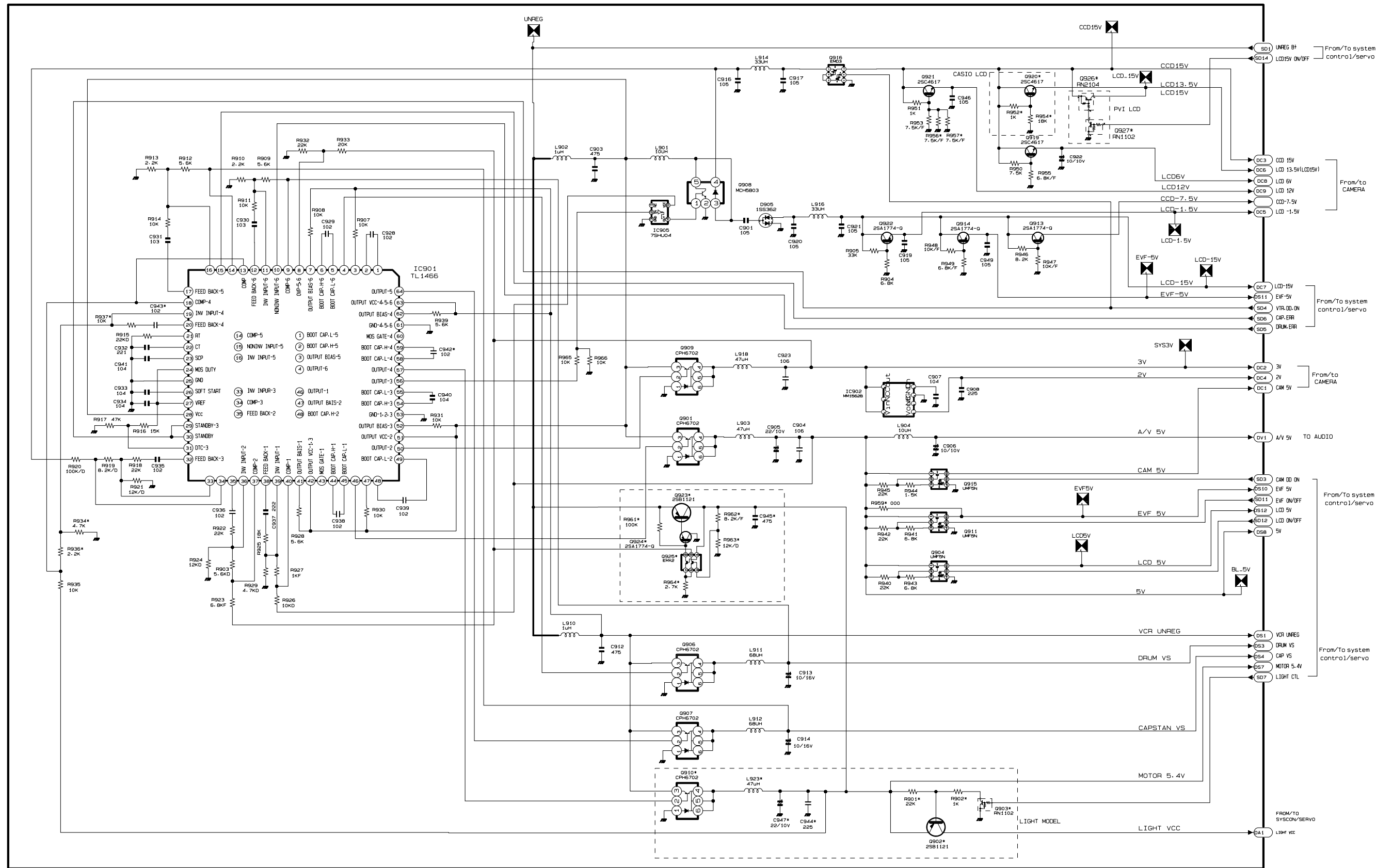
Note :

Do not use the part number shown on this drawing for ordering. The correct part number is shown in the parts list (may be slightly different or amended since this drawing was prepared).

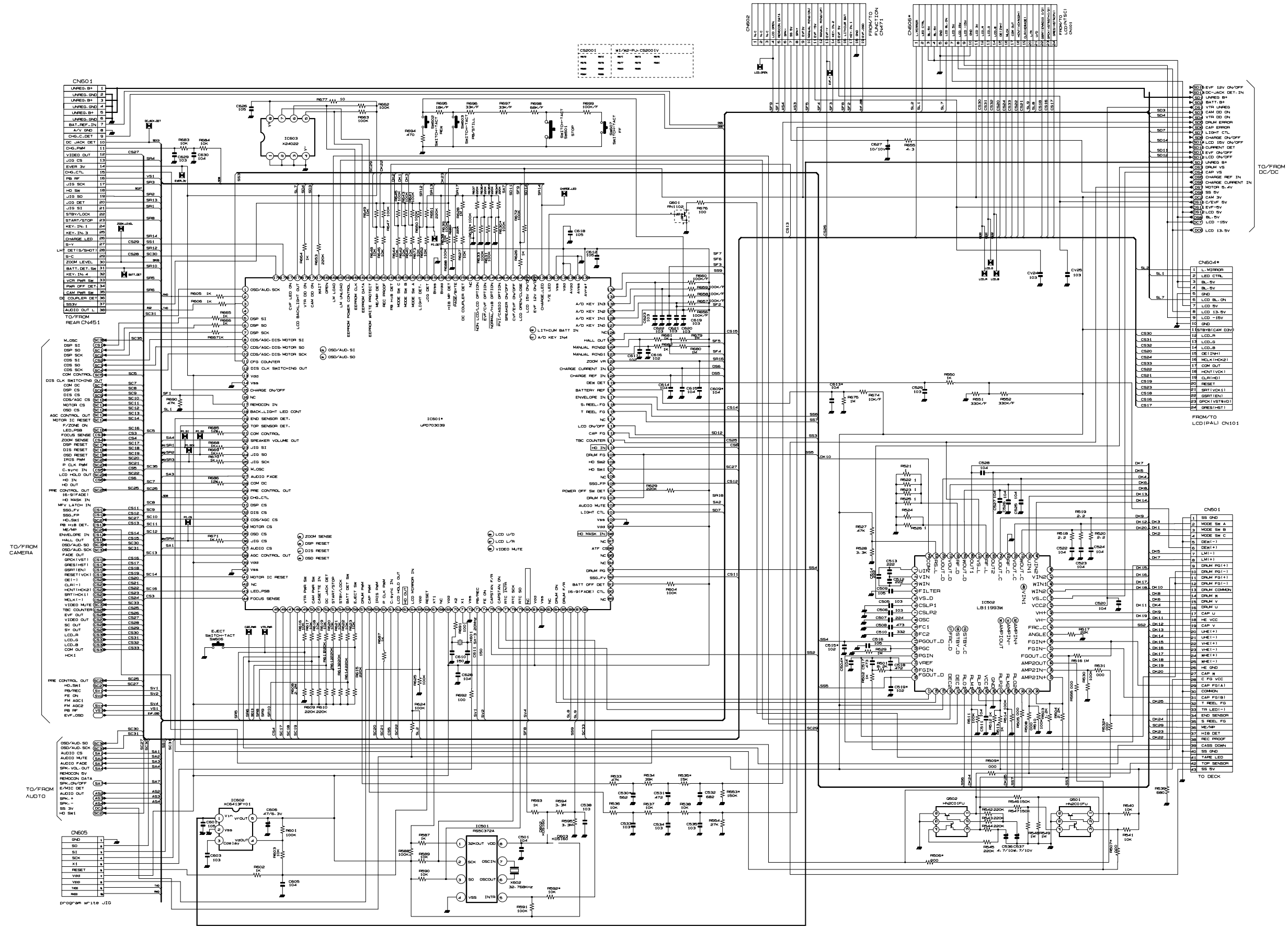
Important safety notices :

Components identified with the mark \triangle have the special characteristics for safety. When replacing any of these components. Use only the same type.

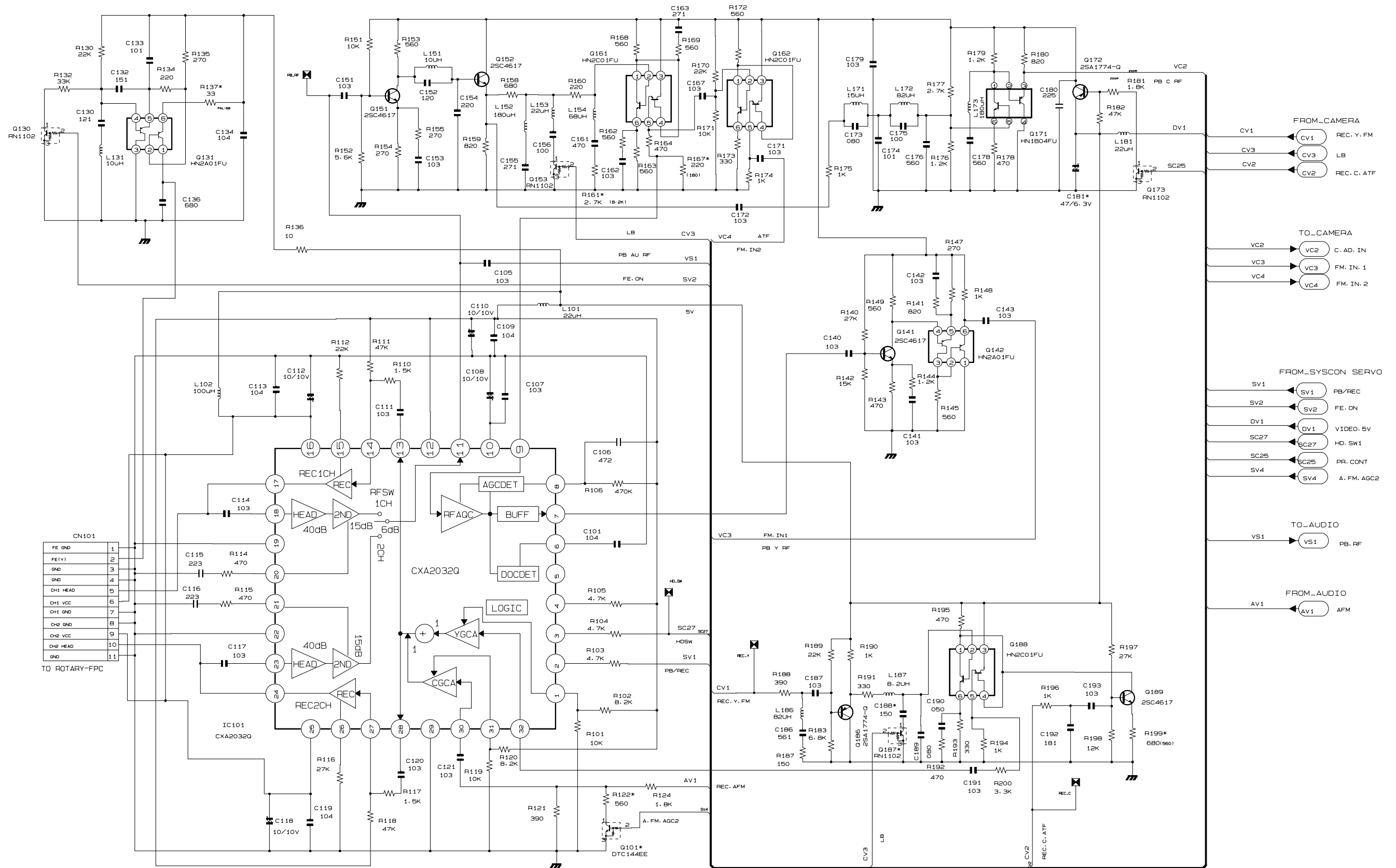
7-1 DC/DC Converter (Main PCB)



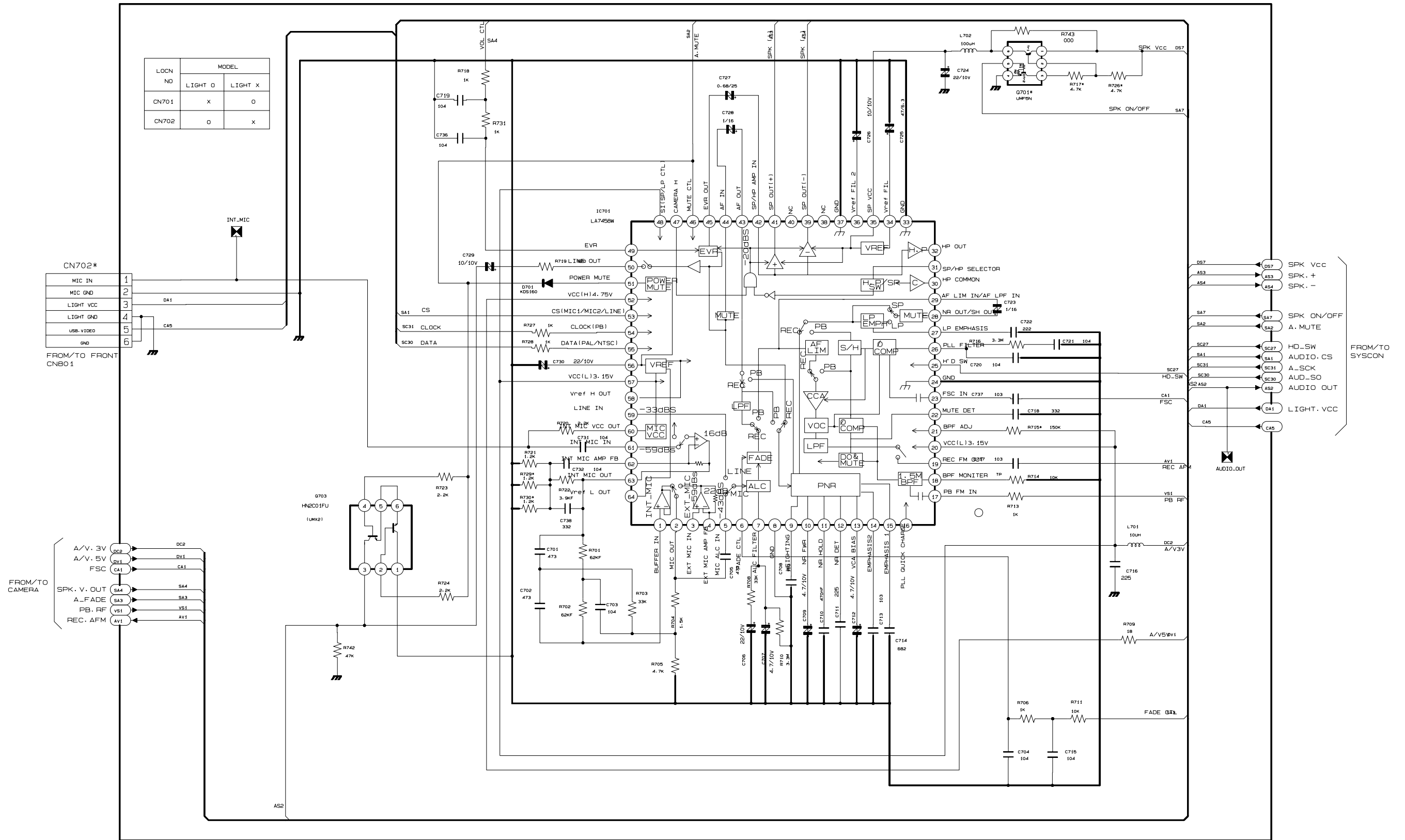
7-2 System Control/Servo (Main PCB)



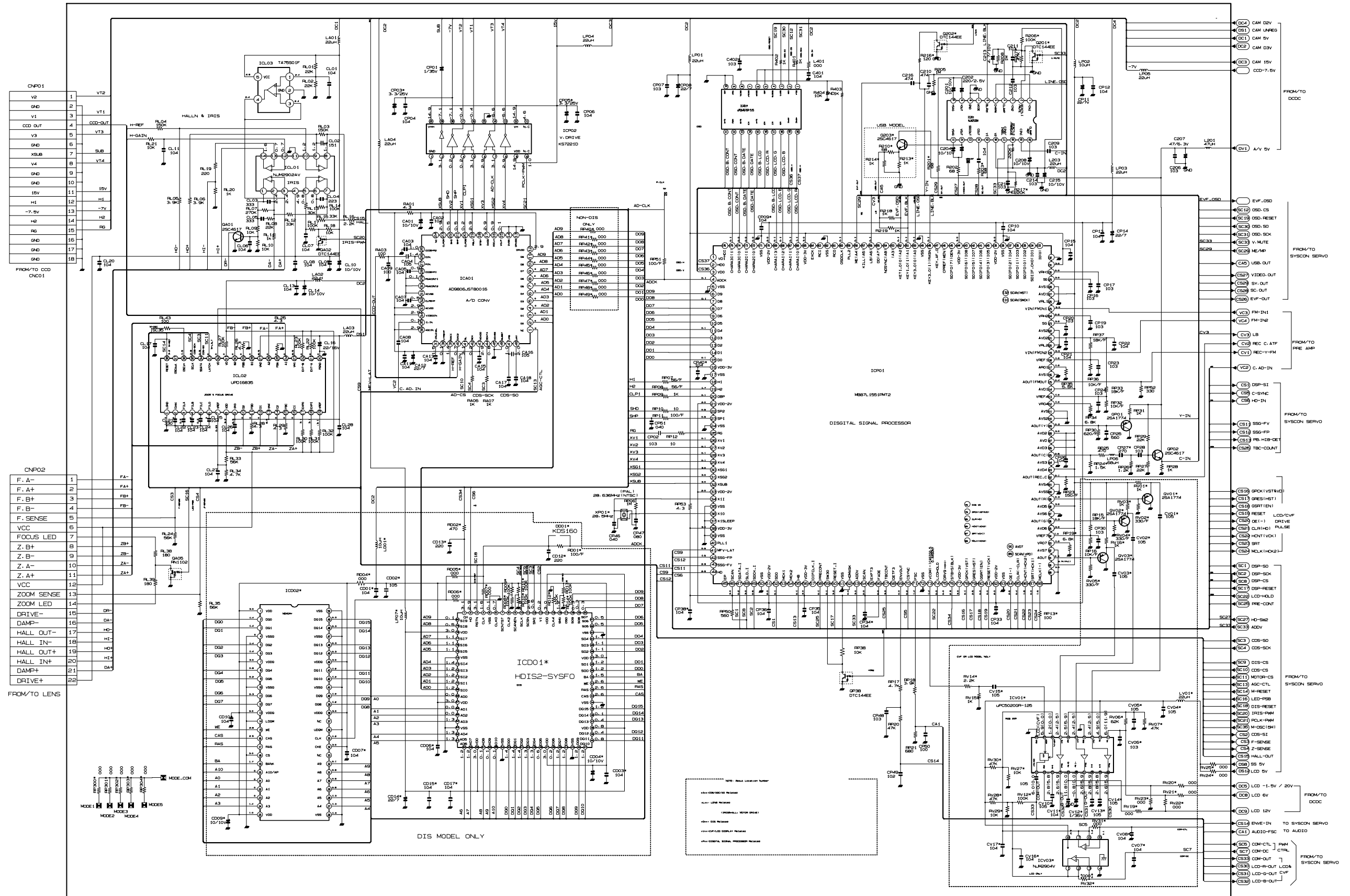
7-3 Pre Amp (Main PCB)



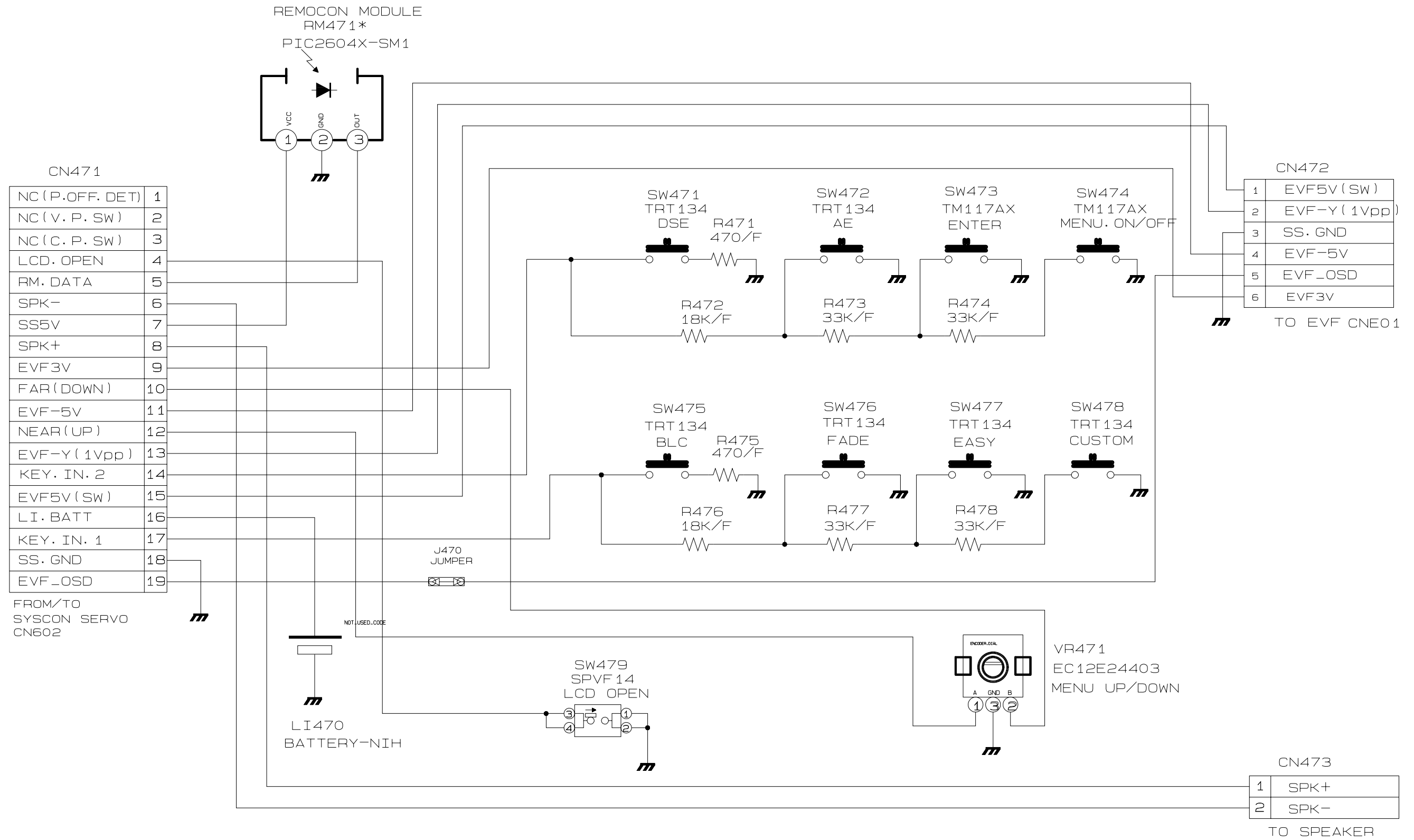
7-4 Audio (Main PCB)



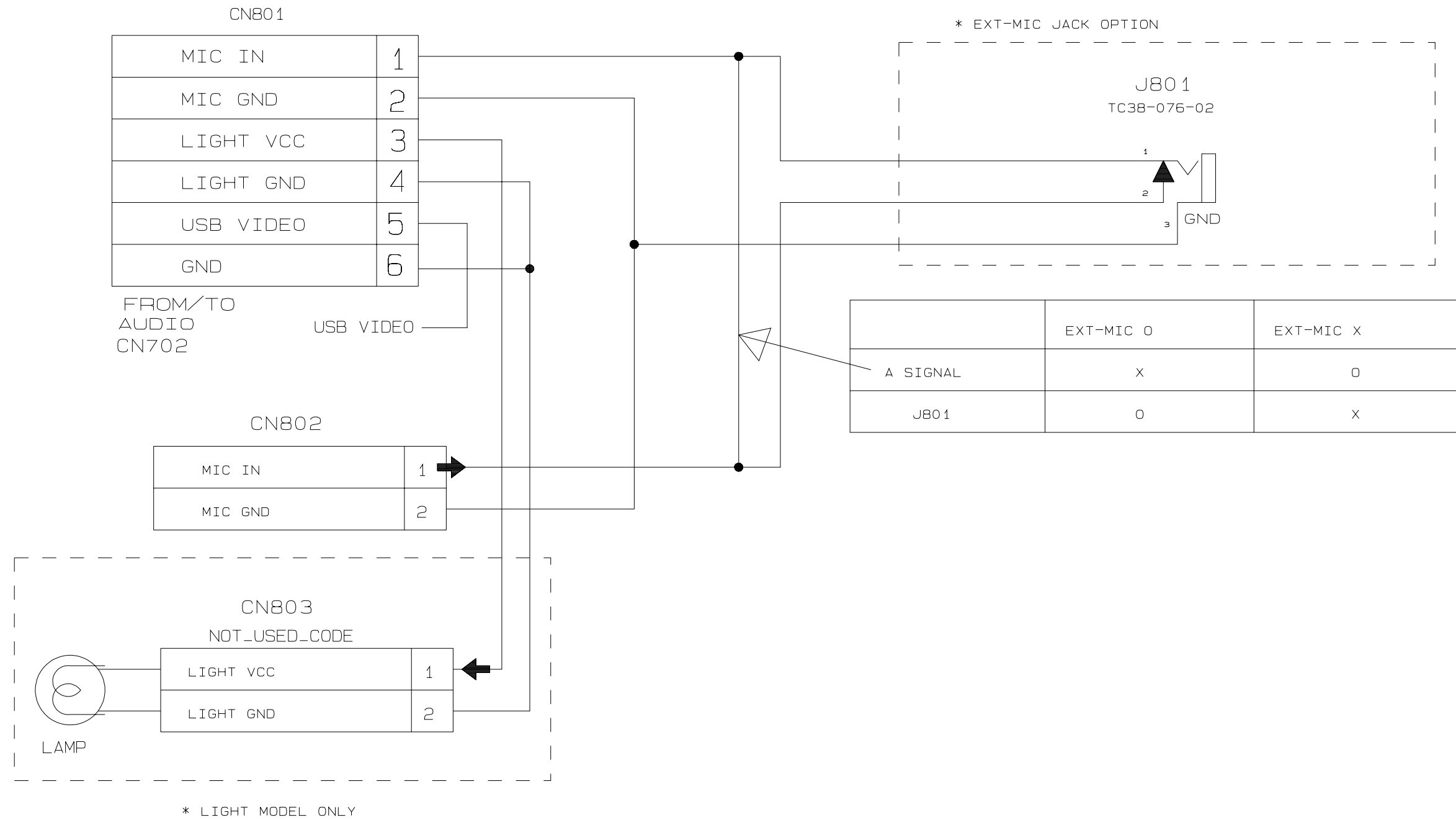
7-5 Camera (Main PCB)



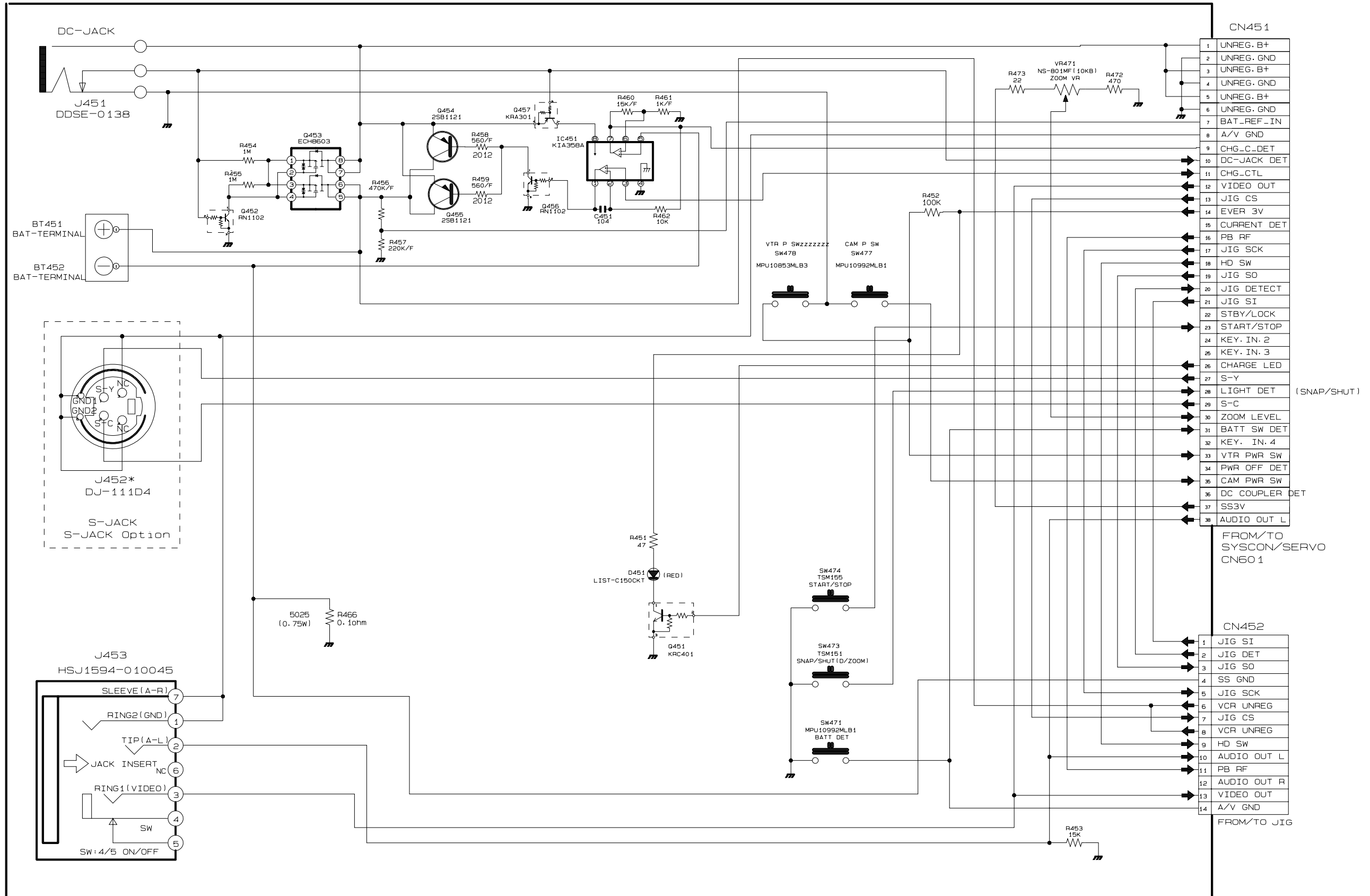
7-6 Function (Function PCB)



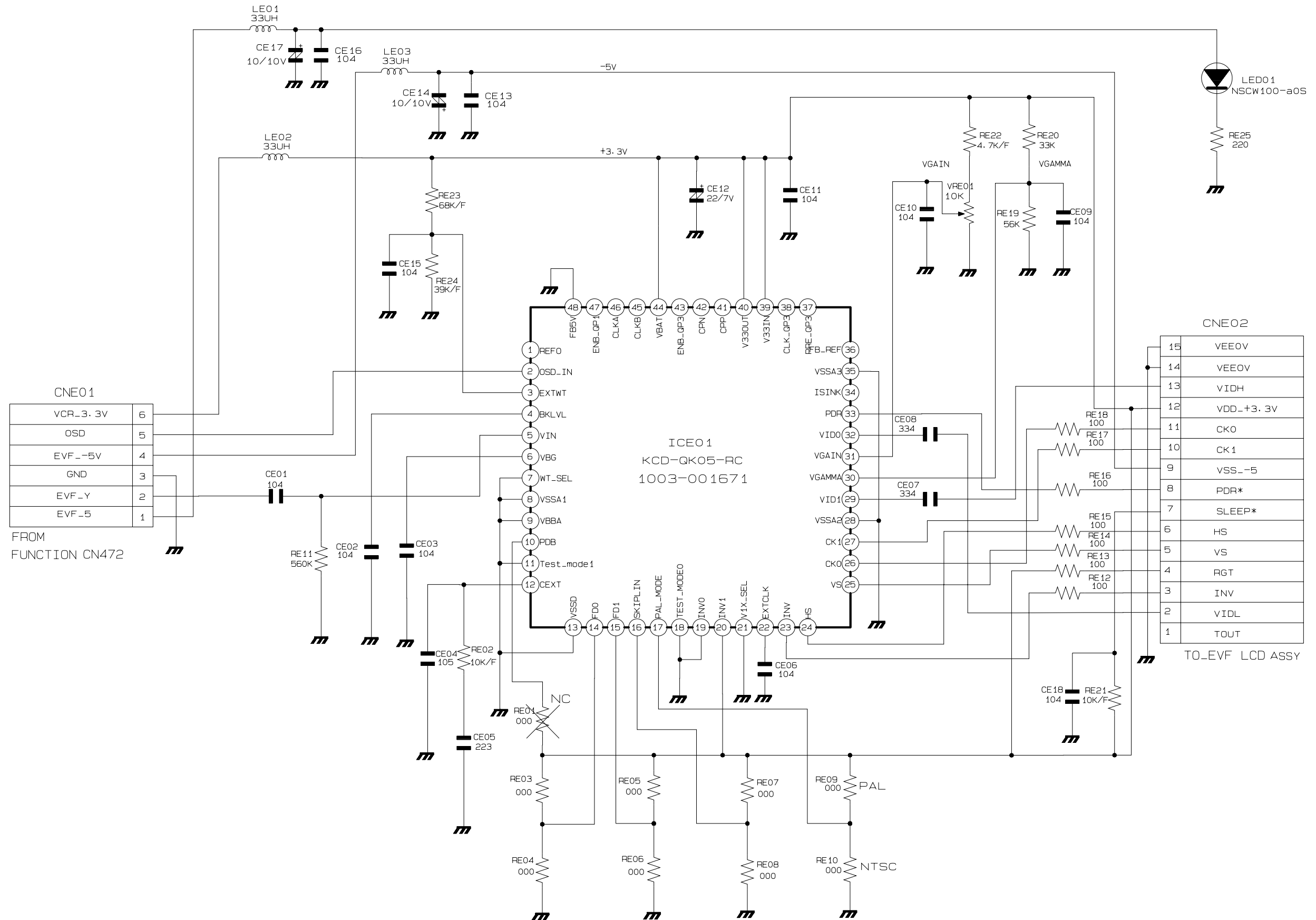
7-7 Front (Front PCB)



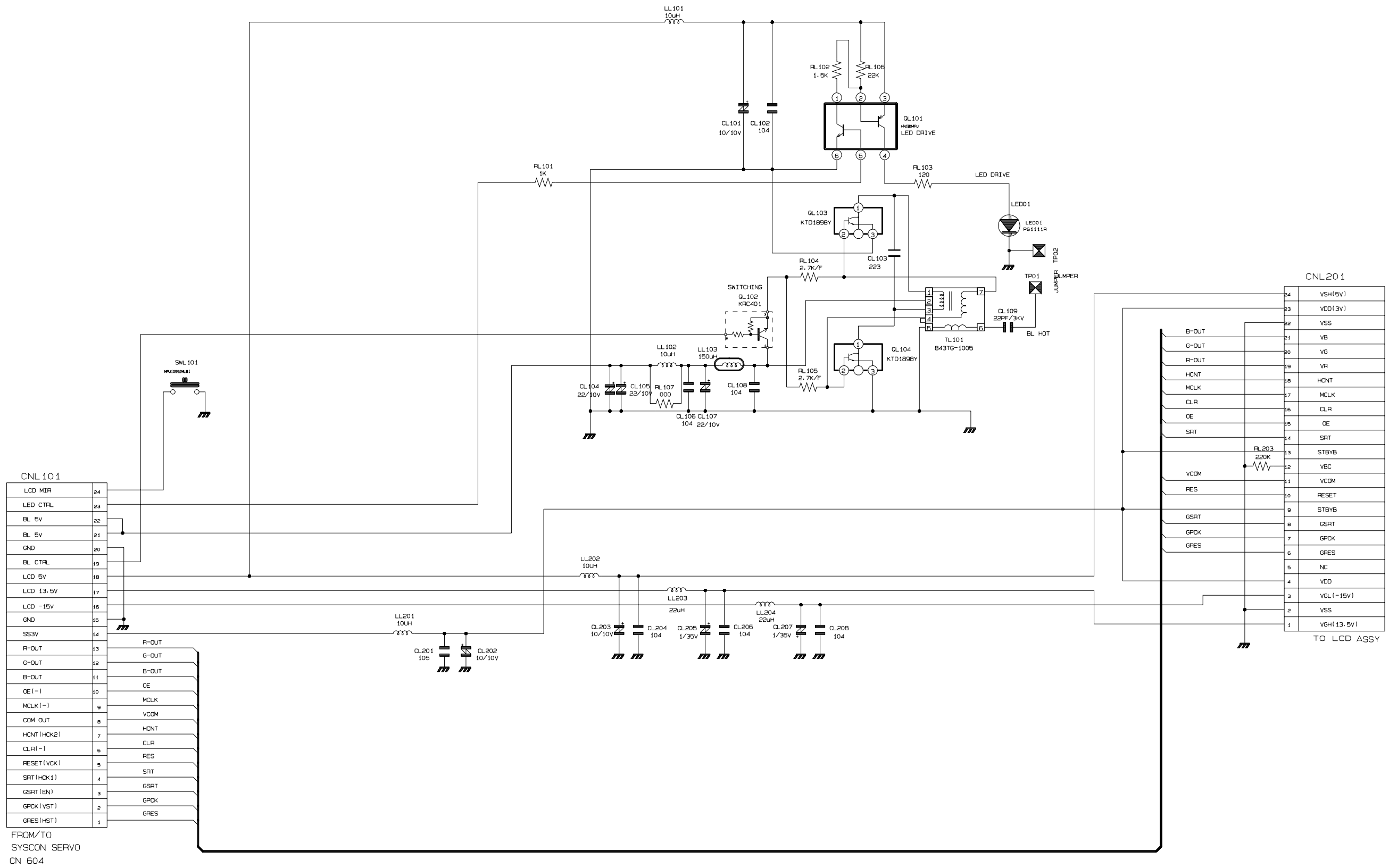
7-8 Rear (Rear PCB)



7-9 EVF (EVF PCB)



7-10 LCD (LCD PCB)



7-11 CCD (CCD PCB)

