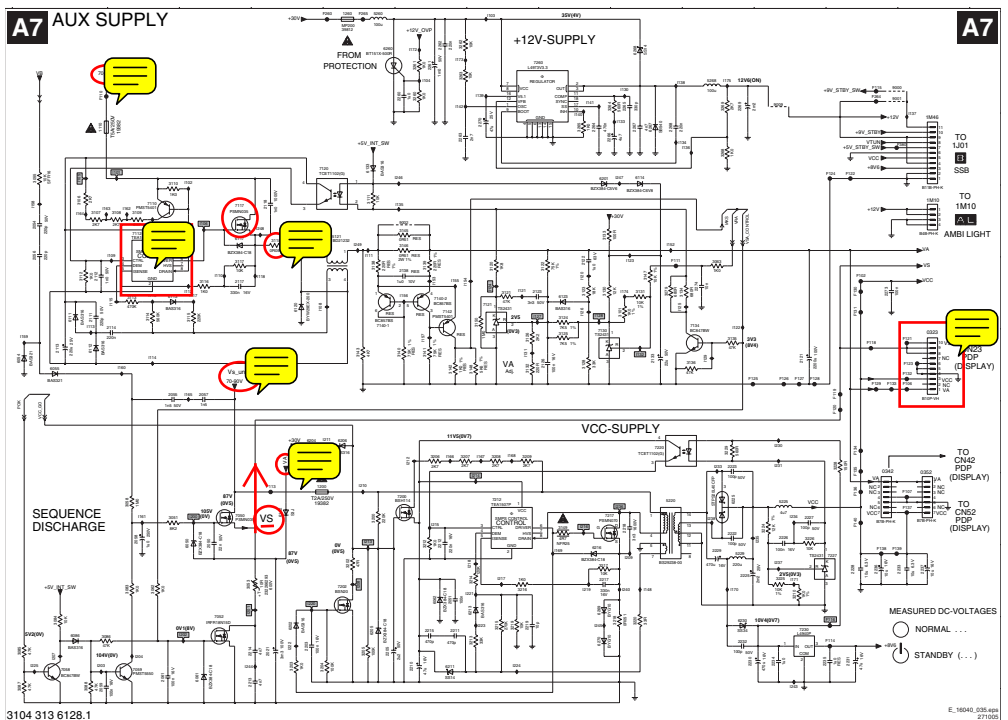
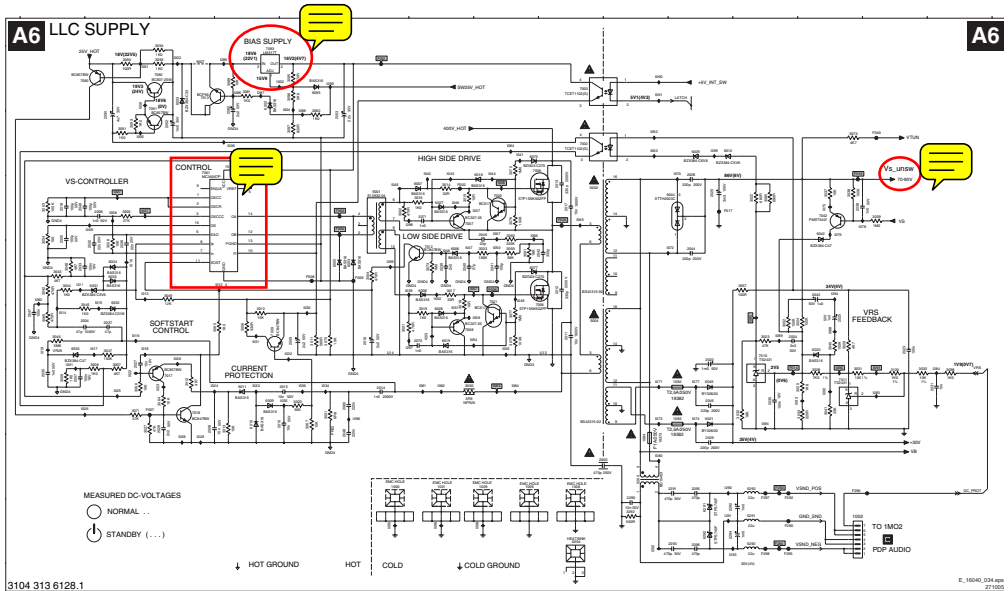


**repair guide for the philips plasma power supply 3104-328-42741 or 3104-328-42742.**  
used in a lot of 42in philips plasma's.

**fault symptoms**, relays click, red and green standby lights come on then go's off with green light flashing once long two short.

**checks**, first check to see what supply's come up, Vs, Va, Vcc, Vs\_unsw (70-90v), Bias supply.



## faults and cures,

**if the Vs\_unsw (70-90v) is missing** should be about 62v, check Vcc supply to ic 7001 if low suspect ic 7001 or the 7093 17v regulator. this ic can go short internally between vcc pin 15 and gnd pin4, should read over 1k if good, if faulty reads about 50ohms, i found replacing ic restored the Vs\_unsw supply.

**if the Va supply is missing** then Vs will also missing as it uses the Va supply, first check if you have drive out on pin 6 of ic 7112 (TEA1507P), if missing suspect 7112, 7117, 3118, i found R3118 to be high about 250ohms re-soldering it along with 7117, and 7112 restored Va and Vs supply's, but best to replace all three for long term reliability.

**its also a good idea to check all the smd capacitors** in this power supply for poor esr these one's in particular...

c2231, c2210, = 47uF/16v

c2508, c2540, c2465, c2541, c2387 = 100uF/16v

c2016, c2009, c2062 = 2.2uF/50v

**tip**, the easy way to remove the smd caps without damaging the print is with a hot air reflow station (set to 370c).

## location of parts to check,

