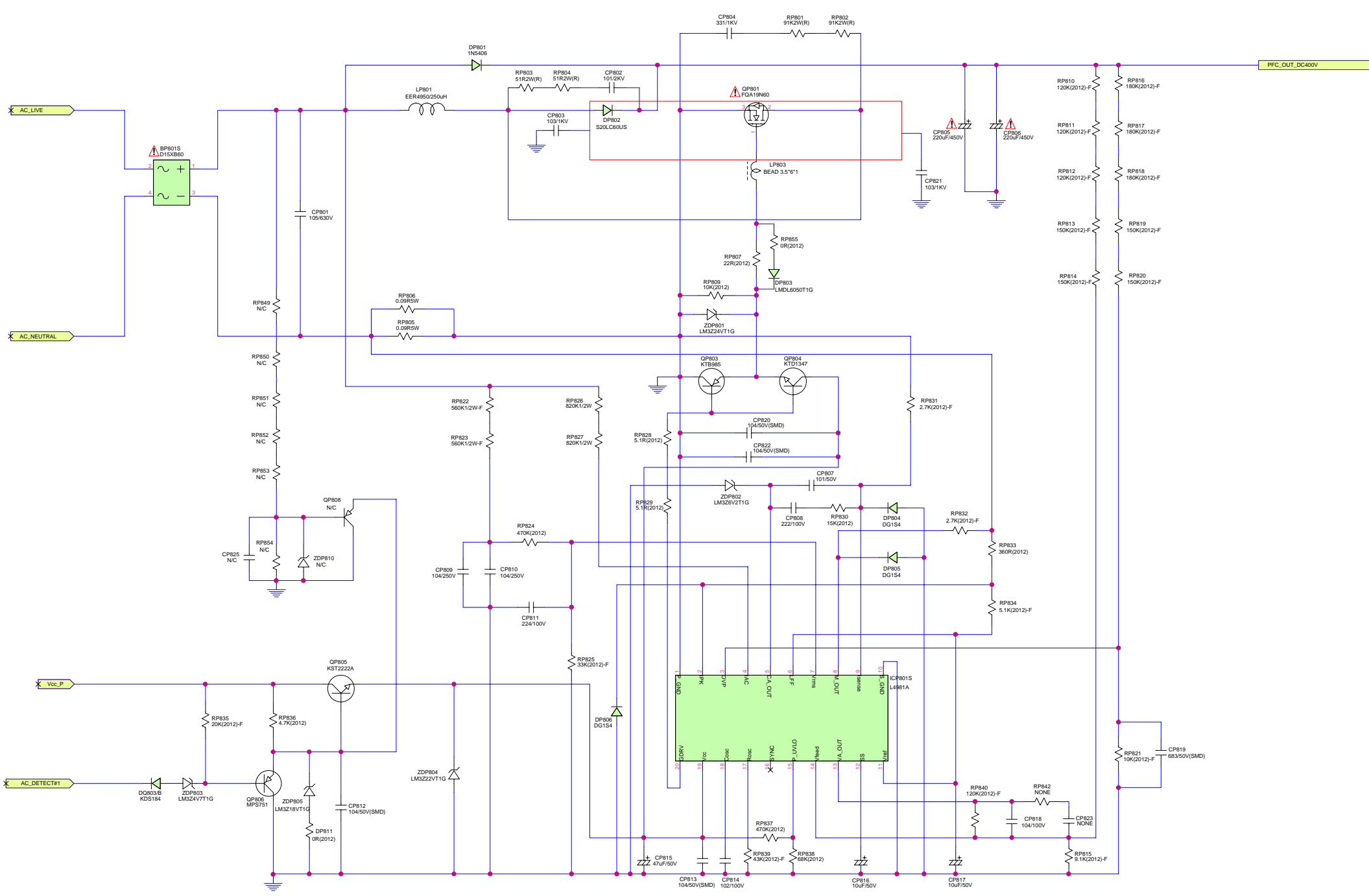


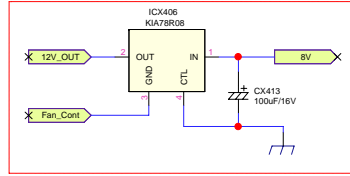
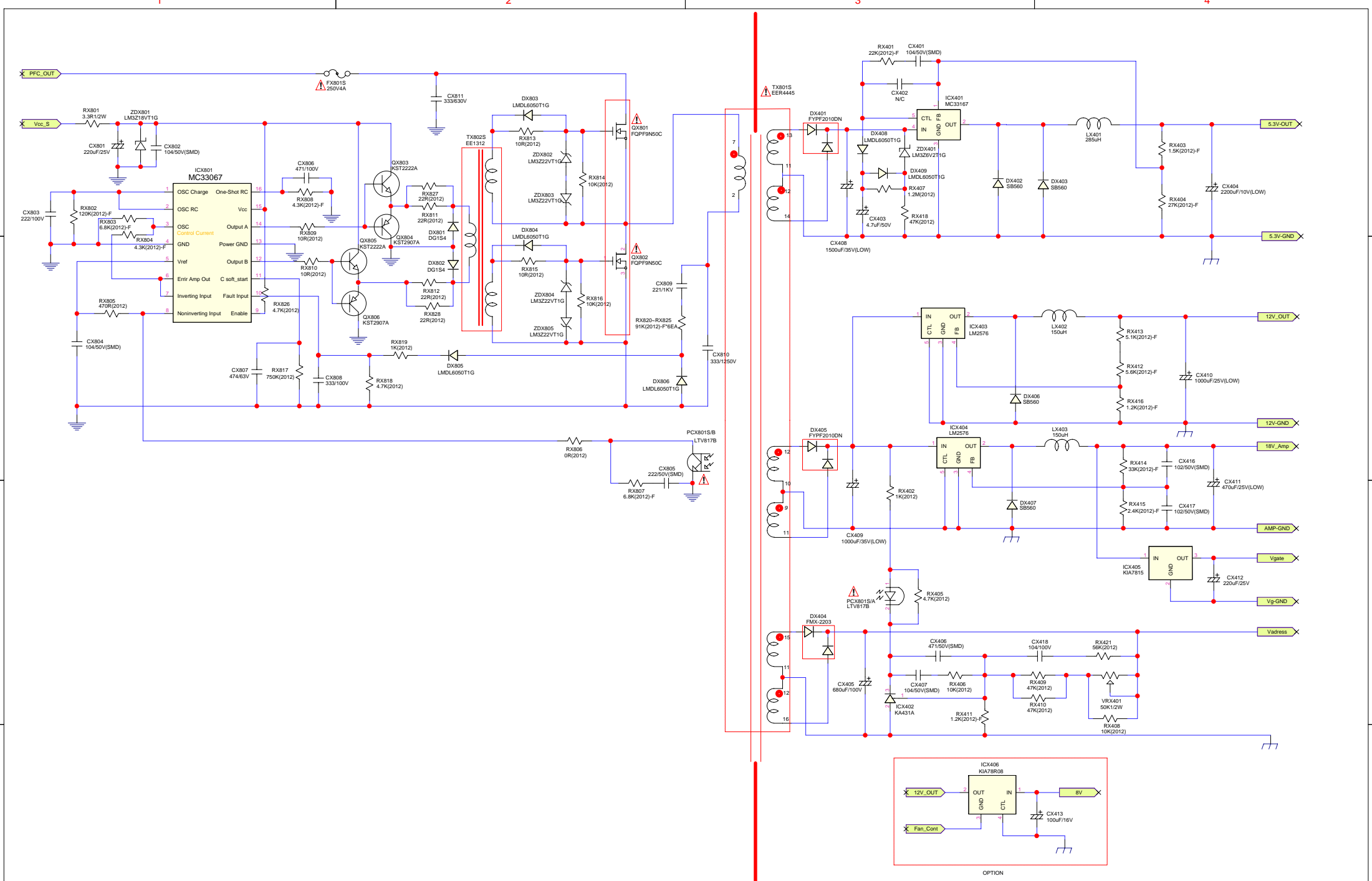
**HOT**  
**COLD**

Title		note1		DONG YANG E & P
DYP-42W2PLUS(Stand-By)		note2		
		note3		
		note4		
		note5		
Size	No.	Rev.		
A4	docno.	1.0		
File	DYP-42W2PLUS_STBY(20070813).sch	Date	2007-08-13	Time 10:05:45
				1 of 4



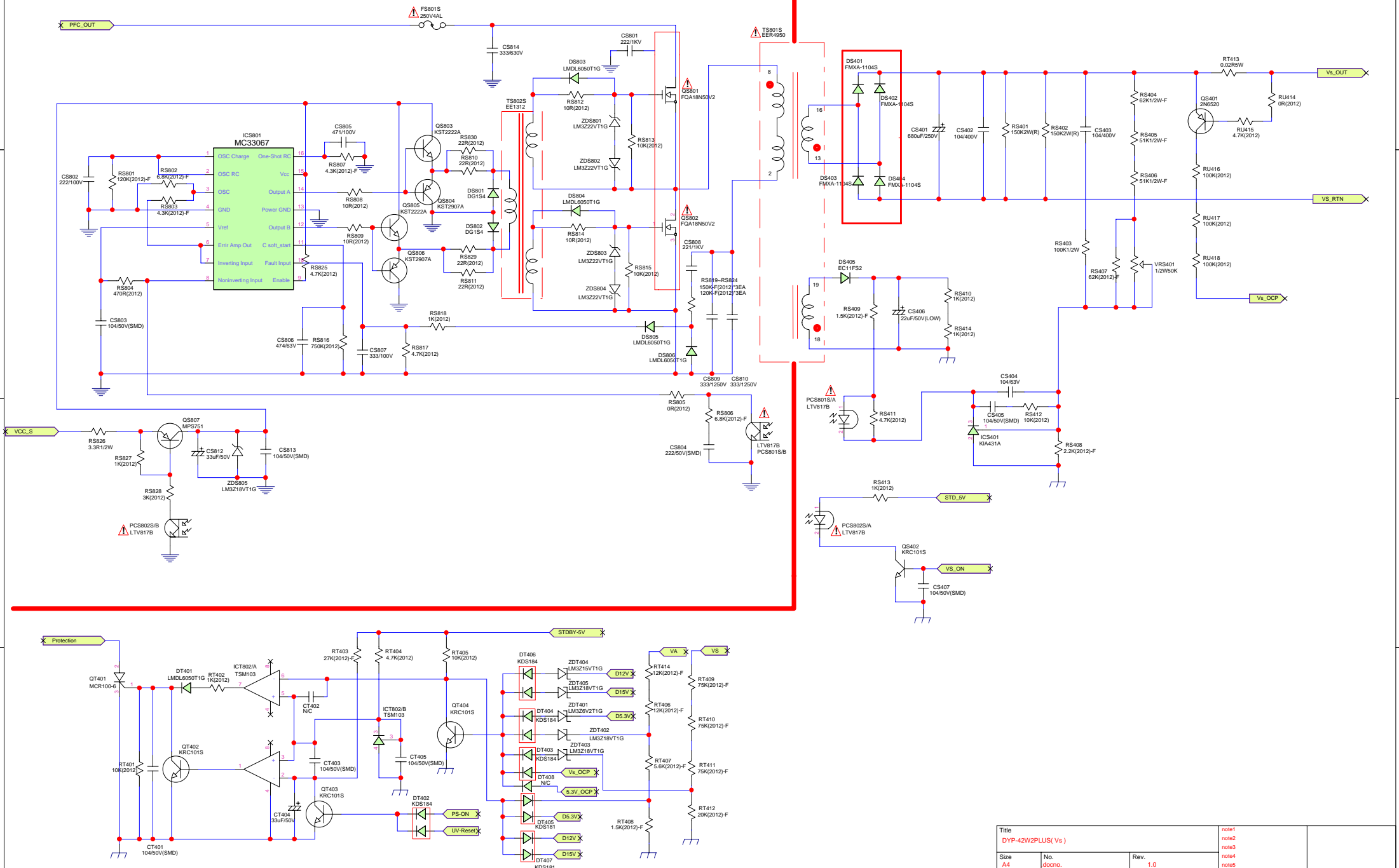
# PFC

Title		DYP-42W2PLUS(PFC)		note1	DONG YANG E&P
Size		A4		note2	
No.		.docno.		note3	
Rev.		1.0		note4	
Date		2007-07-20		note5	
File	DYP-42W2PLUS_PFC(20070719).sch	Date	2007-07-20	Time	2 7:44:24
				2 of 5	



Title		DYP-W2PLUS(Vx)		note1	DONG YANG E & P
Size		A4	No. docno.	note2	
File		DYP-42W2PLUS_VX(20070719).schfile		note3	
Rev.		1.0		note4	
Date		2007-07-20	Time	2:23:03	

# HOT COLD



Title		DYP-42W2PLUS_Vs (Vs)		note1
Size		No.	Rev.	note2
A4		docno.	1.0	note3
File		DYP-42W2PLUS_Vs(20070719).schfile	Date	2007-07-20
			Time	2 = 2:35:00
				4 of 4