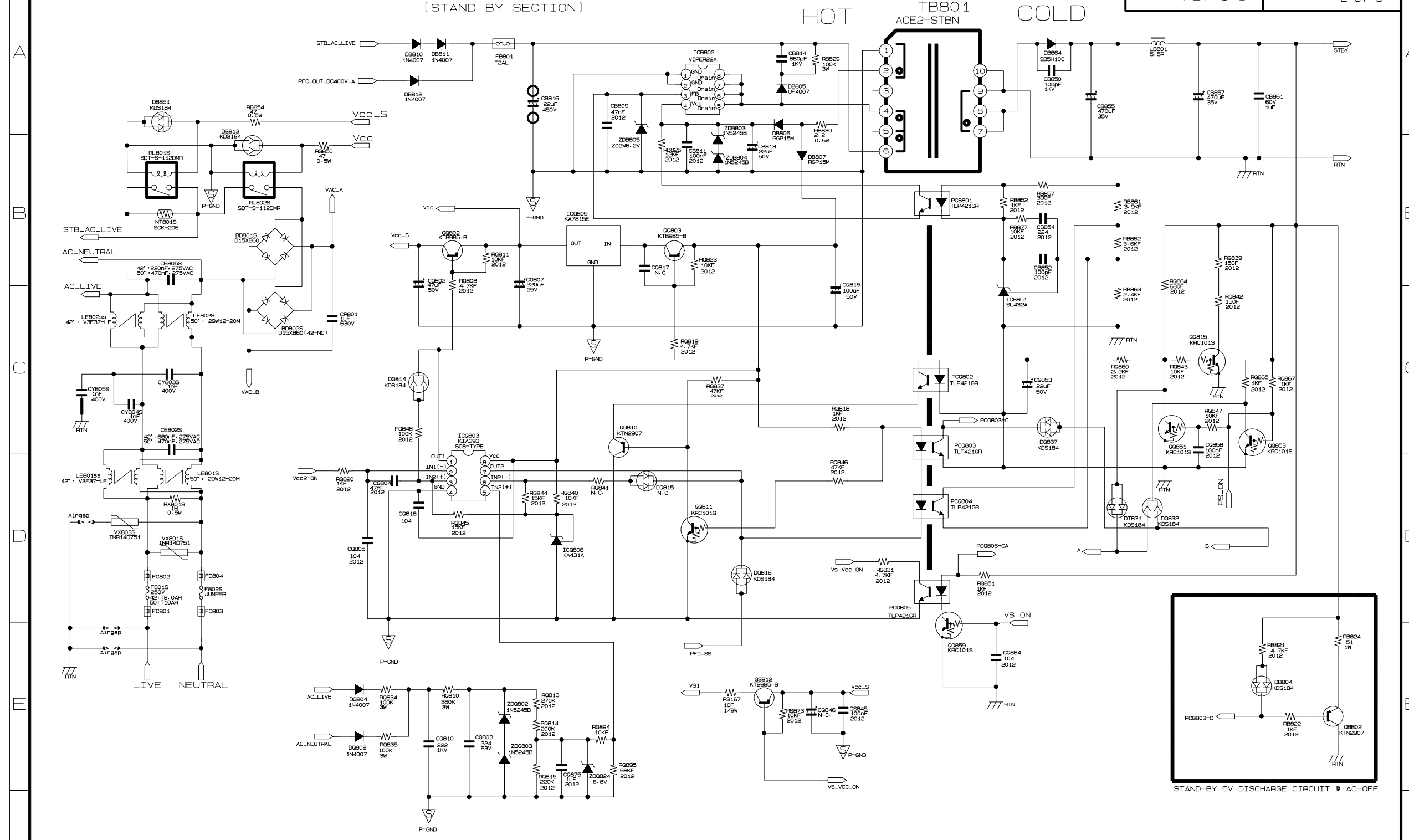


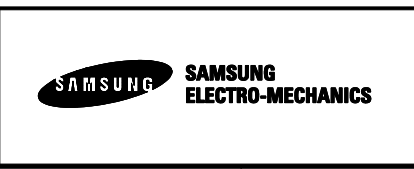
NOTE



USER	SAMSUNG ELECTRONICS. CO. LTD		DATE	2007/10/25
MODEL NAME	W2A	SCALE	A3	DRAWN
PDM NUMBER		REVISION	1.3	CHECKED
		LEVEL		APPROVED



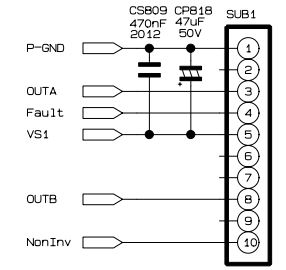
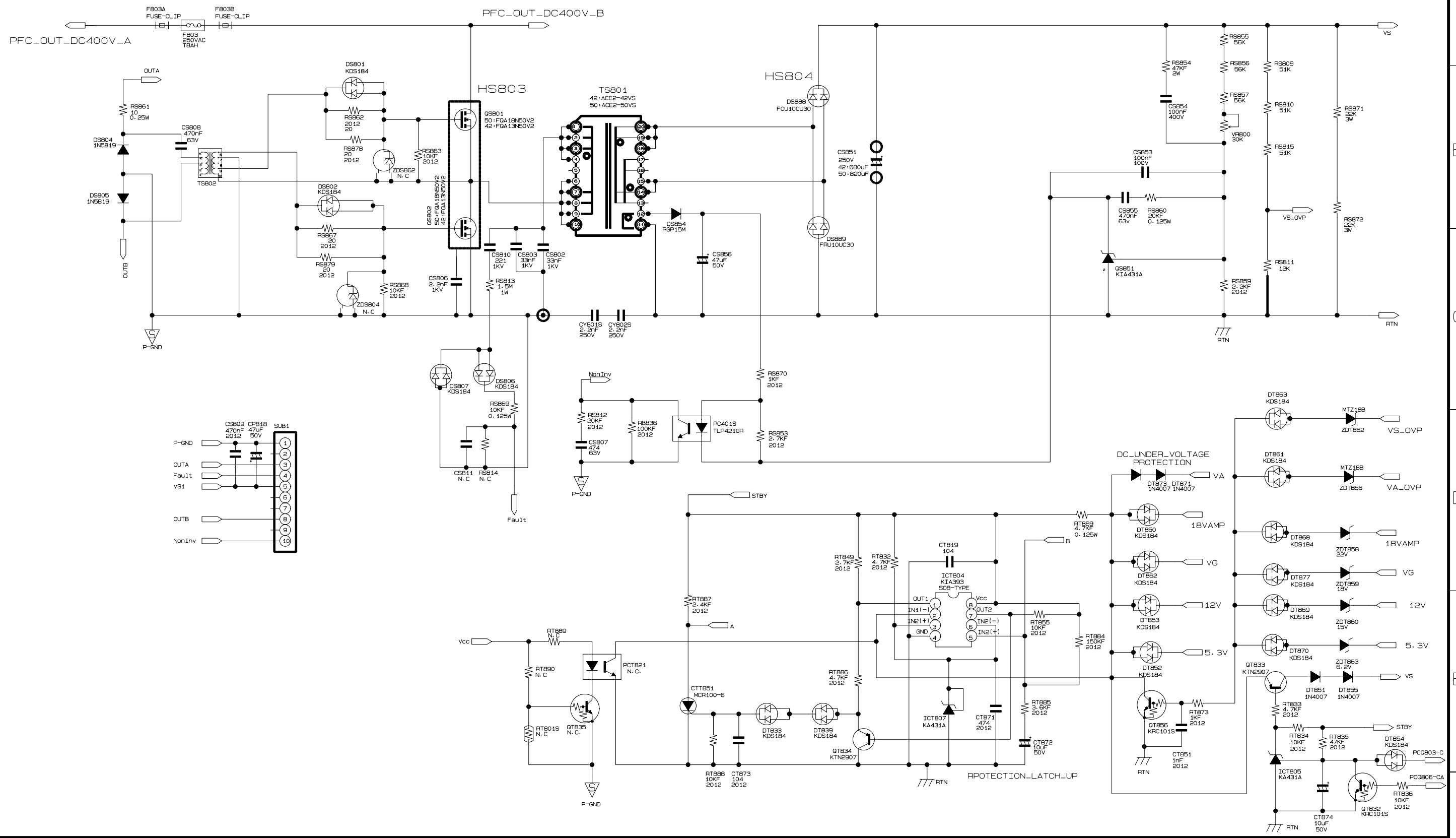
NOTE



USER	SAMSUNG ELECTRONICS. CO. LTD		DATE	2007/10/25
MODEL NAME	W2A	SCALE	A3	DRAWN
PDN NUMBER		REVISION	1.3	CHECKED
		LEVEL		APPROVED

[VS SECTION]

HOT COLD

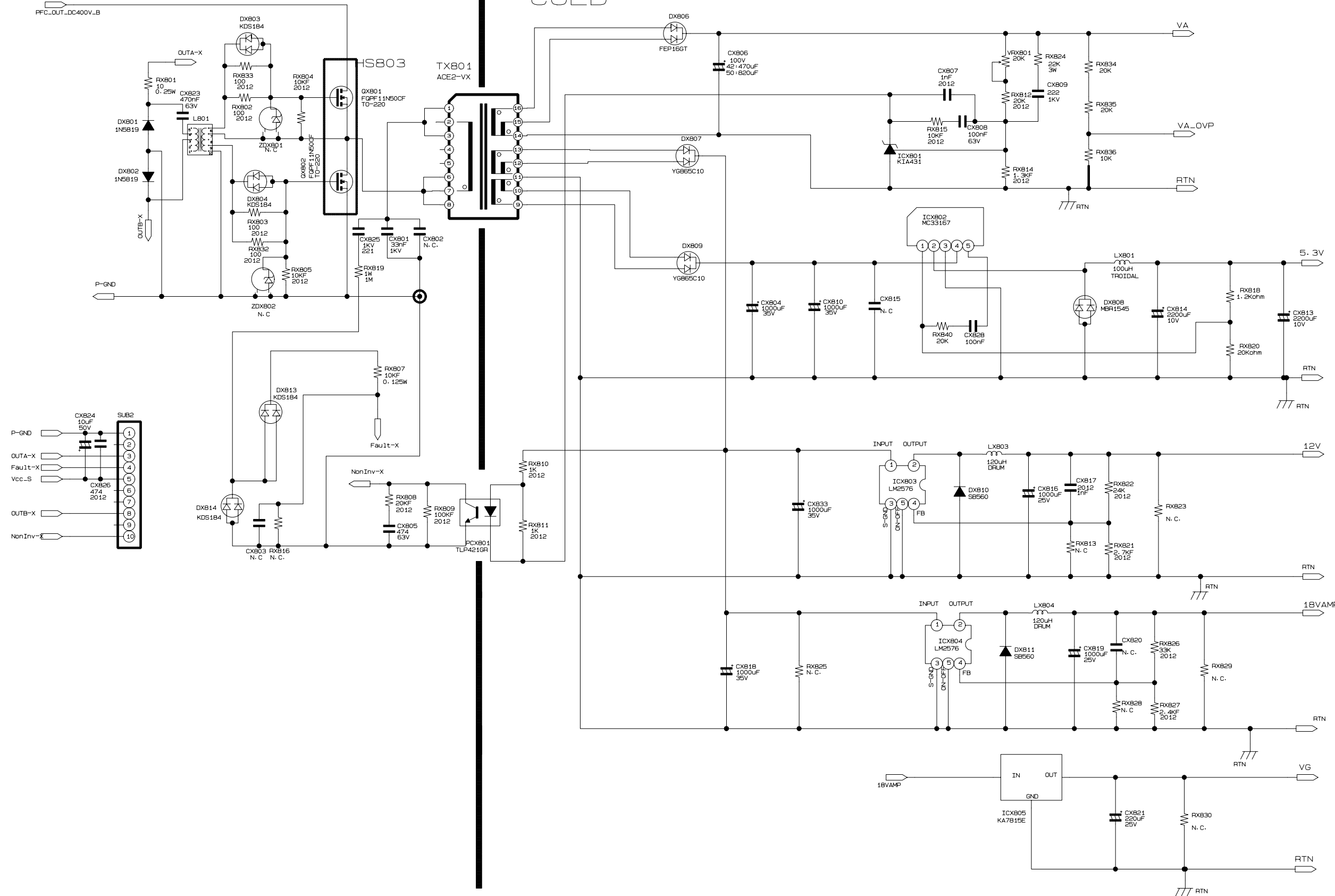


NOTE



USER	SAMSUNG ELECTRONICS. CO. LTD		DATE	2007/10/25
MODEL NAME	W2A		SCALE	A3
PDM NUMBER			REVISION	1.3
			LEVEL	APPROVED

COLD

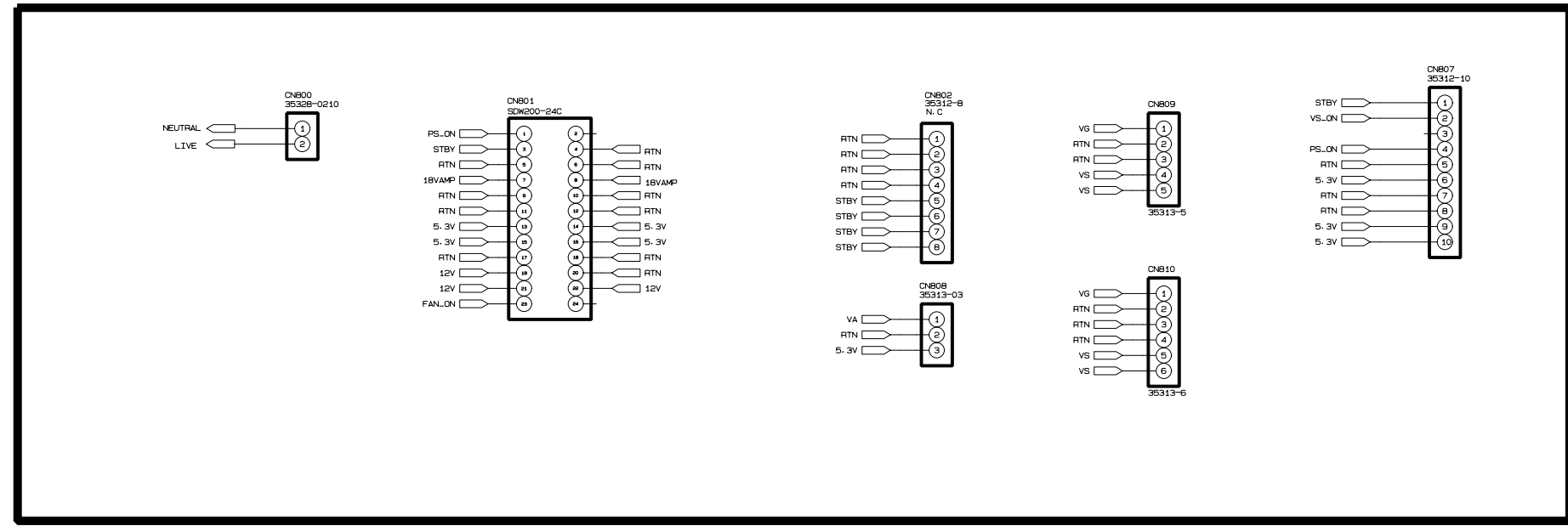


NOTE



USER	SAMSUNG ELECTRONICS. CO. LTD		DATE	2007/10/25	
MODEL NAME	W2A	SCALE	A3	DRAWN	S. Y. S
PDM NUMBER		REVISION	1.3	CHECKED	
		LEVEL		APPROVED	

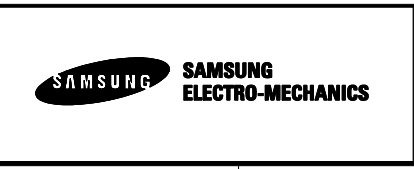
[CONNECTOR INFORMATION]



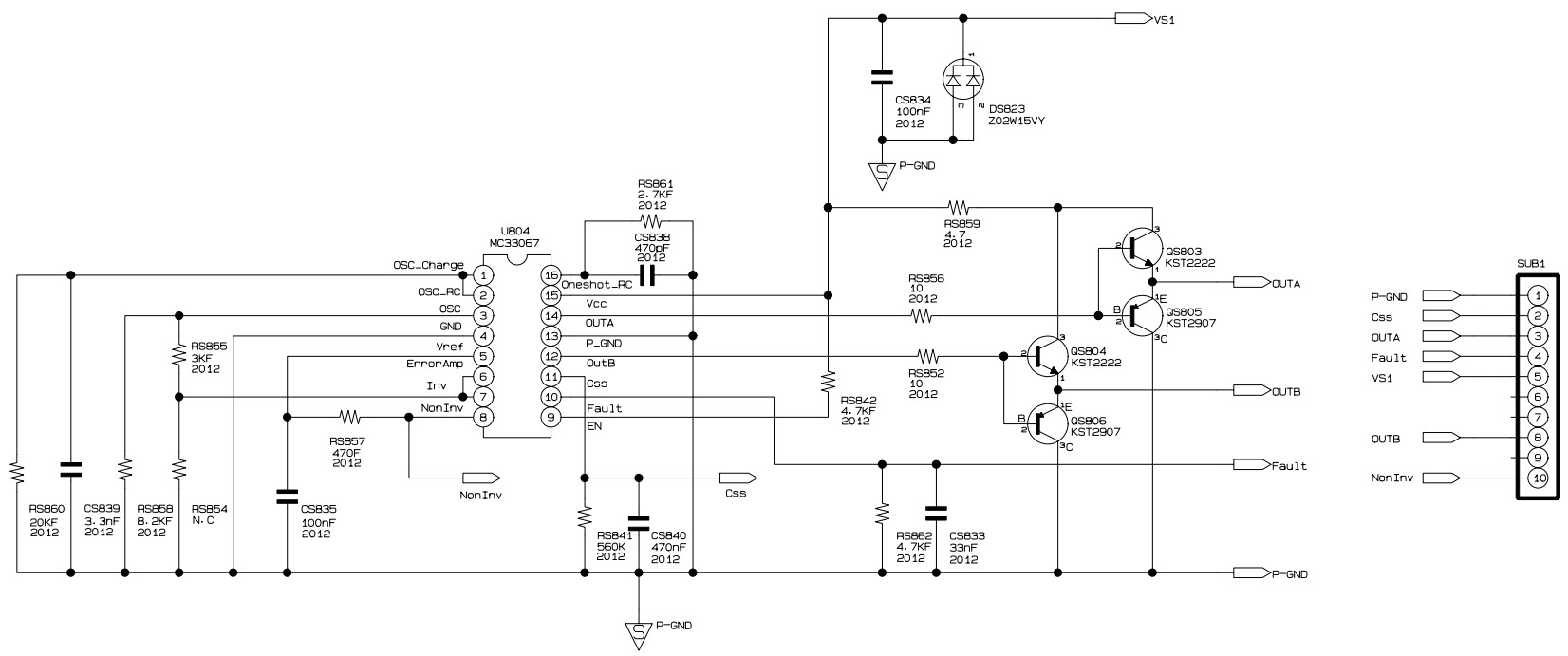
The rule of Loc. No.

- STBY : -B (ex. RBXXX, CBXXX)
- PFC : -P (ex. RPXXX, CPXXX)
- Vs : -S (ex. RSXXX, CSXXX)
- Vx : -X (ex. RXXXX, CXXXX)
- Sequence : -Q (ex. RQXXX, CQXXX)
- Protection : -T (ex. RTXXX, CTXXX)
- EMI : -E (ex. REXXX, CEXXX)

NOTE



USER	SAMSUNG ELECTRONICS. CO. LTD		DATE	2007/10/25
MODEL NAME	W2A	SCALE	A3	DRAWN
PDM NUMBER		REVISION	1.3	CHECKED
		LEVEL		APPROVED



NOTE



USER	SAMSUNG ELECTRONICS. CO. LTD		DATE	06/12/05	
MODEL NAME	W2A SUB		SCALE	A3	
PDM NUMBER		REVISION	2.0	DRAWN	S. K. H
		LEVEL		CHECKED	K. J. S
				APPROVED	