



North/Latin America  
Europe/Africa  
Asia/Oceania

<http://aic.lgservice.com>  
<http://eic.lgservice.com>  
<http://biz.lgservice.com>

## LED LCD TV

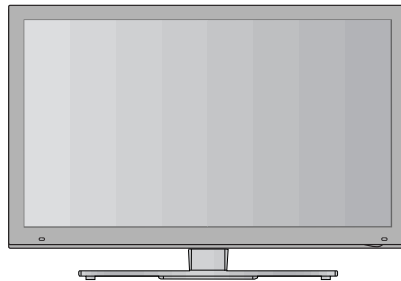
# SCHEMATICS AND EXPLODED VIEW

CHASSIS : LA02R

MODEL : 47LX9500 47LX9500-UA

### CAUTION

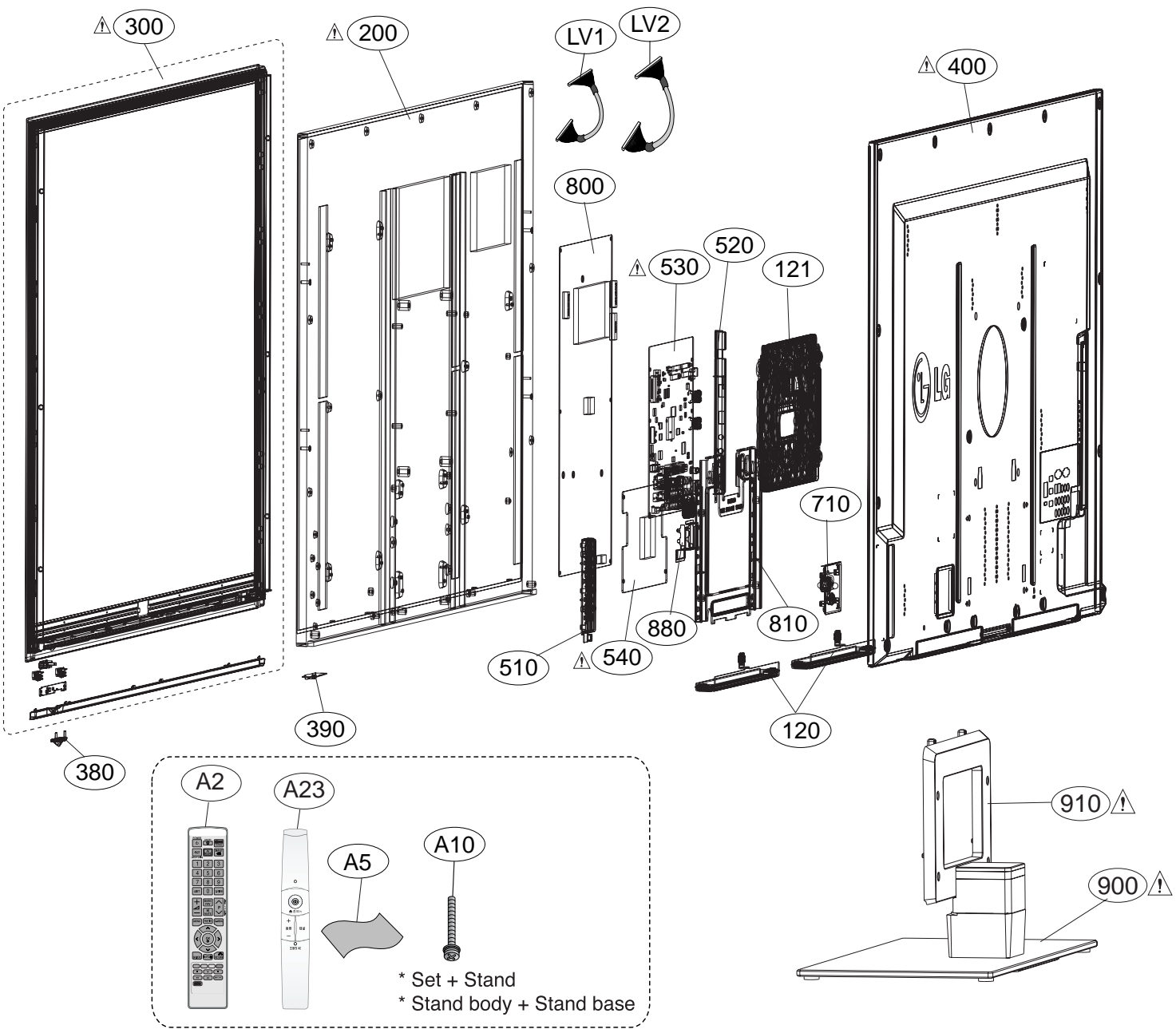
BEFORE SERVICING THE CHASSIS,  
READ THE SAFETY PRECAUTIONS IN THIS MANUAL.



# EXPLODED VIEW

## IMPORTANT SAFETY NOTICE

Many electrical and mechanical parts in this chassis have special safety-related characteristics. These parts are identified by ⚠ in the Schematic Diagram and EXPLODED VIEW. It is essential that these special safety parts should be replaced with the same components as recommended in this manual to prevent X-RADIATION, Shock, Fire, or other Hazards. Do not modify the original design without permission of manufacturer.



## 47LX9500 EXPLODED VIEW PARTS LIST

ITEM	PART No	DESCRIPTION
120	EAB61353002	Speaker (Front) 5W 8OHM 78DB 350HZ 8x21.4x6.5 4way
121	MCR62231002	Insulation Sheet (Main)
200	AFB73089901	TFT Panel (Includes Inverter boards)
300	ABJ73128201	Cabinet Assembly Ft Frame
380	MAZ62063502	Bracket IR PCB
390	EBT61093402	IR and Intelligent Sensor Board
400	ACQ76211209	Back Cover
510	EBR70133801	Controls (Key) Board
520	MGJ62014802	AV Metal Shield
530	EBR69489001	Main Board
540	AGU72970001	Power Insulation Bottom Assembly
710	MCK62788902	Mold ABS HF-380 Bracket Power Cord Cover
800	EAY60908801	SMPS Power Supply
810	MGJ62014401	Stand Guide Metal Plate
880	MGJ62014709	Tuner Metal Shield
900	AAN73031202	Stand Base Assembly
910	ABA73132302	Stand Top Bracket
A2	AKB72914018	Remote Control
A5	MAF60779001	Cloth Cleaner
A10	FAB30006518	Stand Screw
A23	AKB73035402	Remote Control M2-CON for USA
LV1	EAD61078206	LVDS Cable (Left Side from Main)
LV2	EAD60956327	LVDS Cable (Right Side from Main)

# COMPONENT/AV REAR JACK

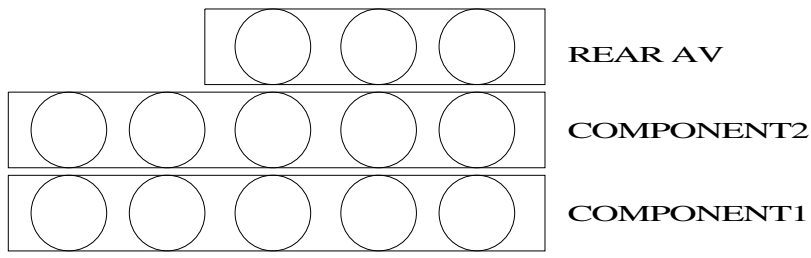
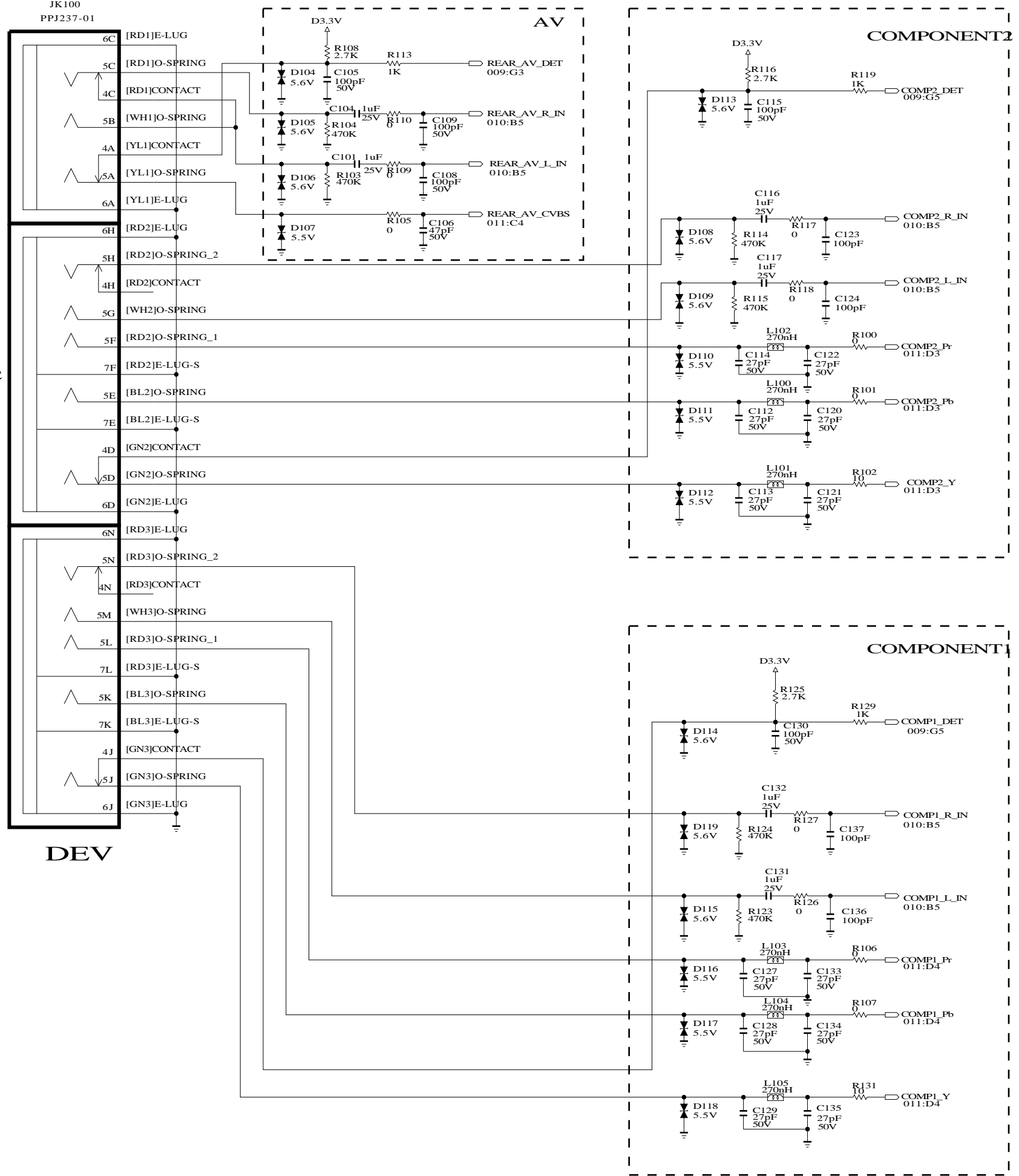
JK100  
PPJ237-01

REAR AV

COMPONENT2

COMPONENT1

DEV



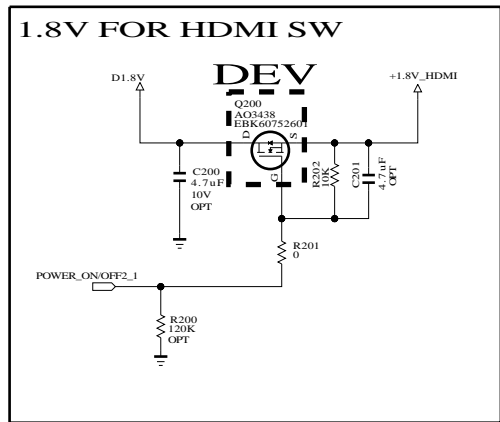
THE SYMBOL MARK OF THIS SCHEMATIC DIAGRAM INCORPORATES SPECIAL FEATURES IMPORTANT FOR PROTECTION FROM X-RADIATION. FILRE AND ELECTRICAL SHOCK HAZARDS, WHEN SERVICING IF IS ESSENTIAL THAT ONLY MANUFACTURES SPECIFIED PARTS BE USED FOR THE CRITICAL COMPONENTS IN THE SYMBOL MARK OF THE SCHEMATIC.

SECRET  
LGElectronics

LG ELECTRONICS

MODEL	GP2_BCM_ATSC	DATE	09/10/x x
BLOCK	COMPONENT / AV REAR	SHEET	1 / 100

# HDMI SWITCH 1.8V POWER



Seperated from Common sheet83  
 N.America & Korea only use 1.8V control

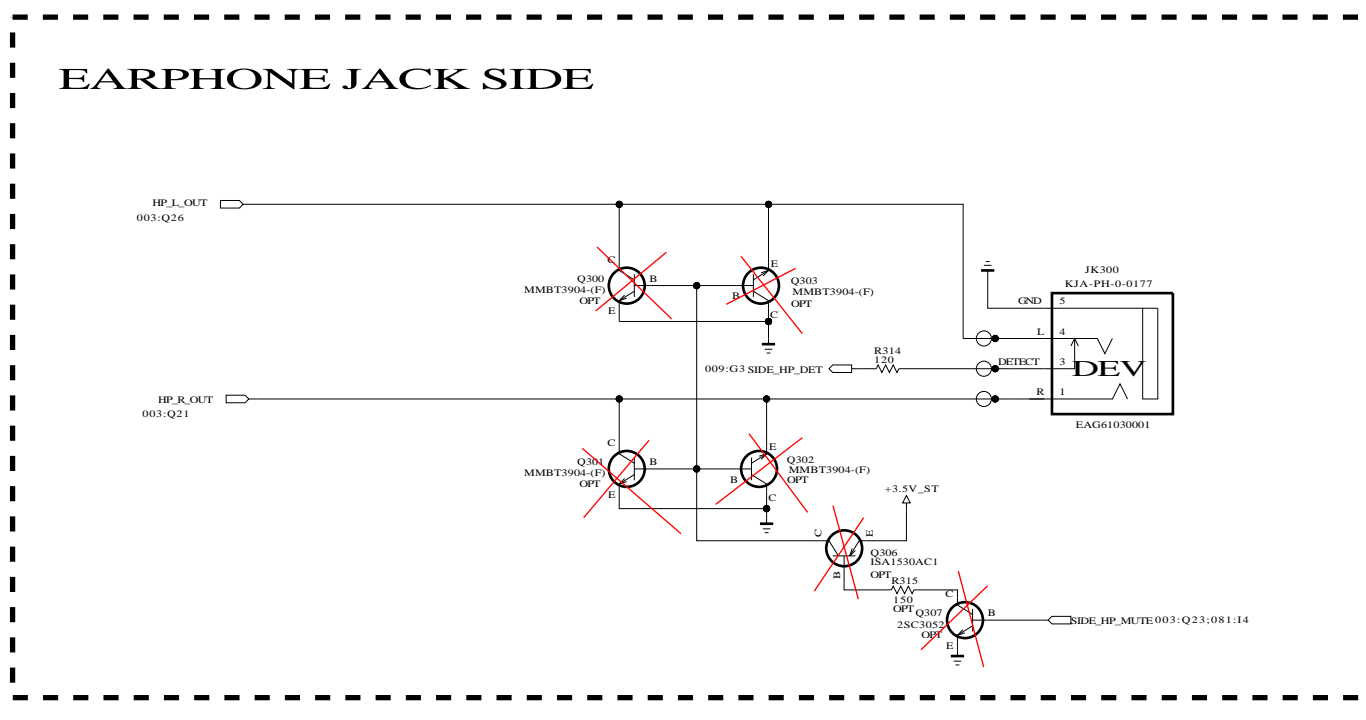
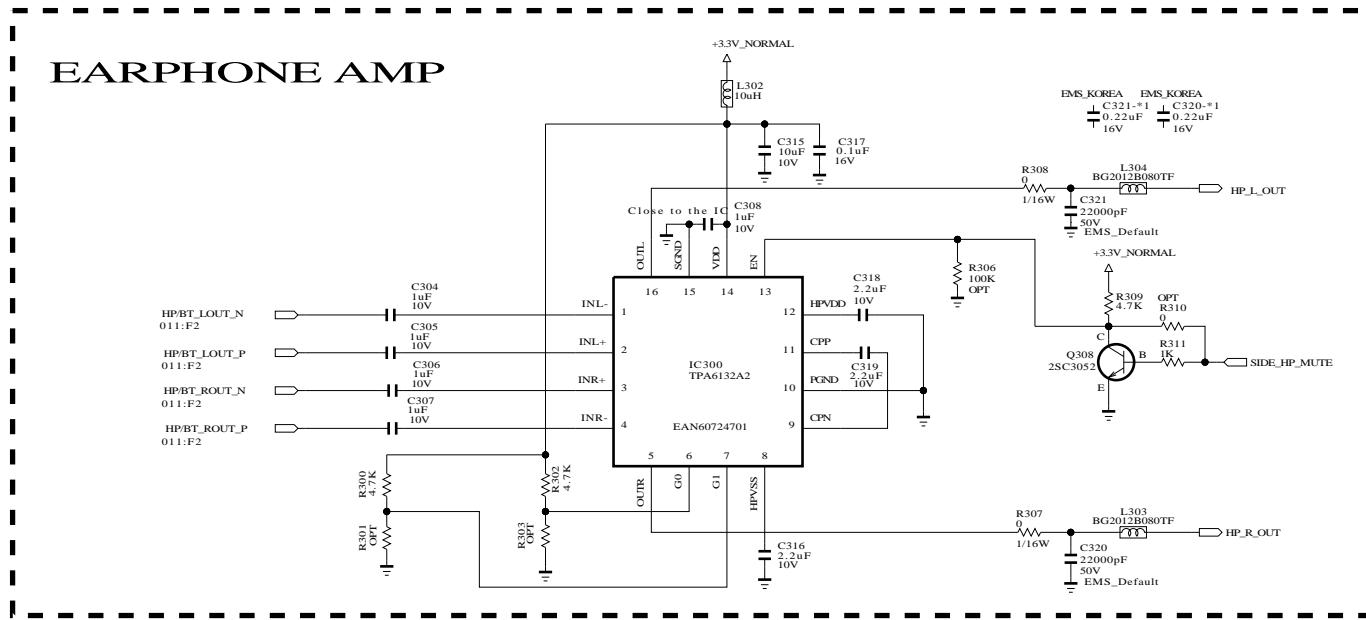
THE SYMBOL MARK OF THIS SCHEMATIC DIAGRAM INCORPORATES SPECIAL FEATURES IMPORTANT FOR PROTECTION FROM X-RADIATION. FILRE AND ELECTRICAL SHOCK HAZARDS, WHEN SERVICING IF IS ESSENTIAL THAT ONLY MANUFACTURES SPECIFIED PARTS BE USED FOR THE CRITICAL COMPONENTS IN THE SYMBOL MARK OF THE SCHEMATIC.

SECRET  
 LGElectronics

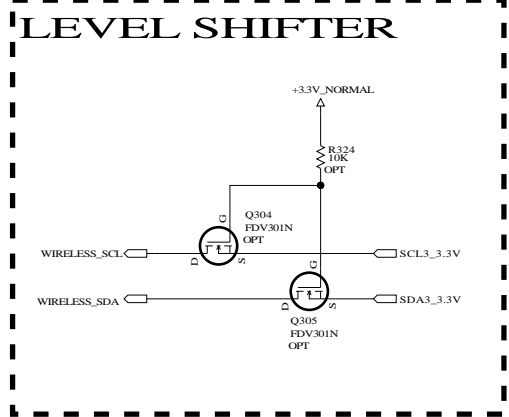


MODEL	GP2_BCM_ATSC	DATE	09/10/xx
BLOCK	HDMI_POWER	SHEET	2 / 100

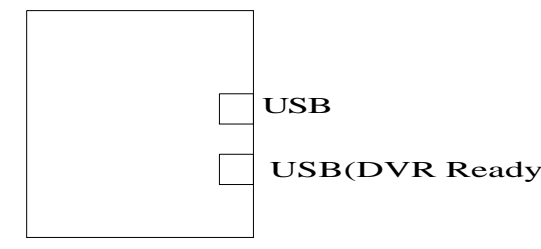
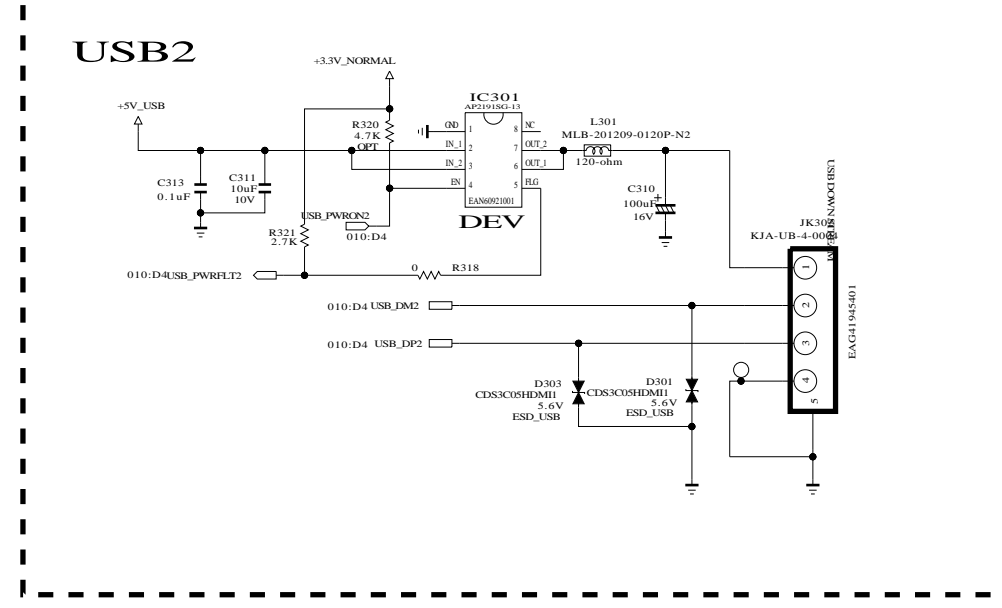
# EARPHONE BLOCK



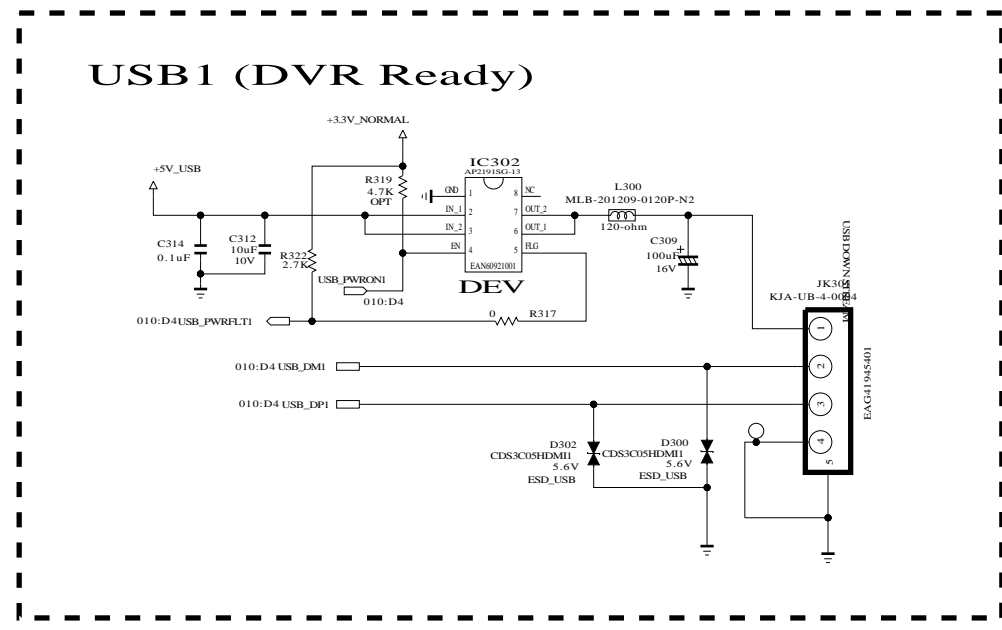
# WIRELESS I2C LEVEL SHIFTER



# USB BLOCK

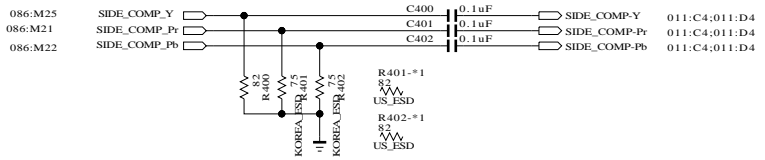


CHANGE USB\_PWRFLT PULL-UP FROM 5V TO 3.3V



THE SYMBOL MARK OF THIS SCHEMATIC DIAGRAM INCORPORATES SPECIAL FEATURES IMPORTANT FOR PROTECTION FROM X-RADIATION, FILRE AND ELECTRICAL SHOCK HAZARDS, WHEN SERVICING IF IS ESSENTIAL THAT ONLY MANUFACTURES SPECIFIED PARTS BE USED FOR THE CRITICAL COMPONENTS IN THE SYMBOL MARK OF THE SCHEMATIC.

# SIDE COMPONENT LINE



CLOSE TO MAIN IC

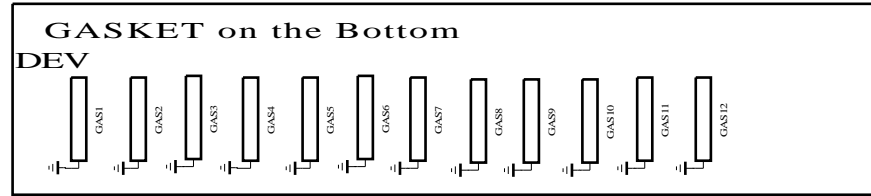
THE SYMBOL MARK OF THIS SCHEMATIC DIAGRAM INCORPORATES SPECIAL FEATURES IMPORTANT FOR PROTECTION FROM X-RADIATION. FILRE AND ELECTRICAL SHOCK HAZARDS. WHEN SERVICING IF IS ESSENTIAL THAT ONLY MANUFACTURES SPECIFIED PARTS BE USED FOR THE CRITICAL COMPONENTS IN THE SYMBOL MARK OF THE SCHEMATIC.

SECRET  
 LGElectronics

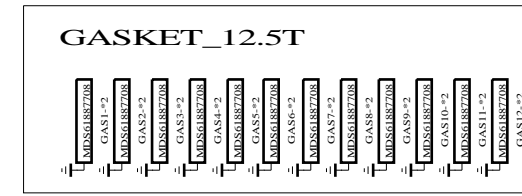


MODEL	SIDE_GENDER_LINE	DATE	09/10/xx
BLOCK	SIDE_GENDER_LINE	SHEET	4 / 100

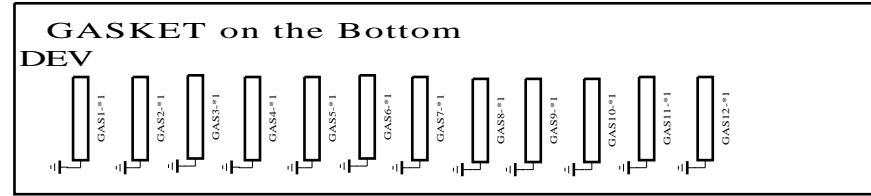
**SMD GASKET FOR EMI (8\*6\*5.5 FOR LE5400/5500/7500)**



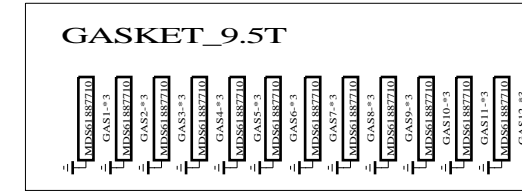
**SMD GASKET FOR EMI (8\*6\*12.5T)**



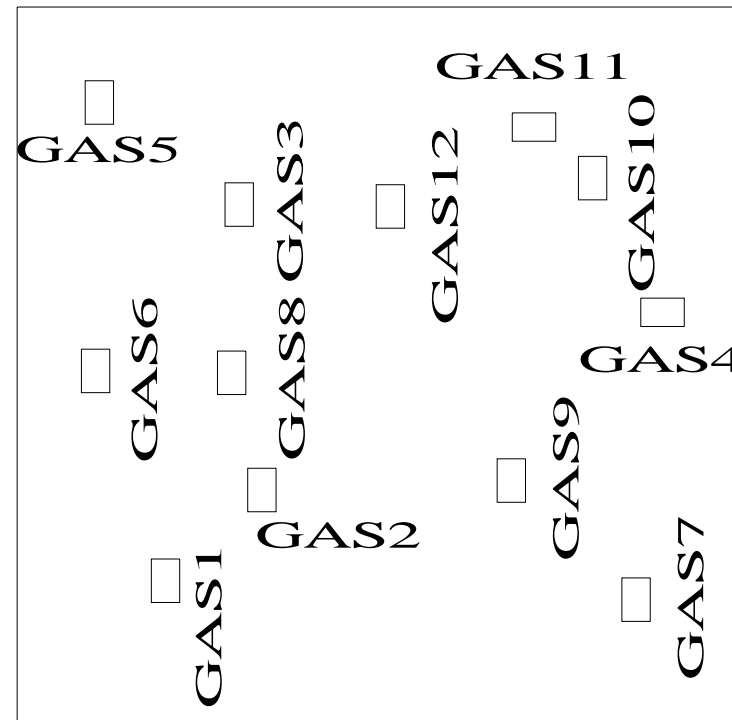
**SMD GASKET FOR EMI (8\*6\*7.5 FOR LE8500)**



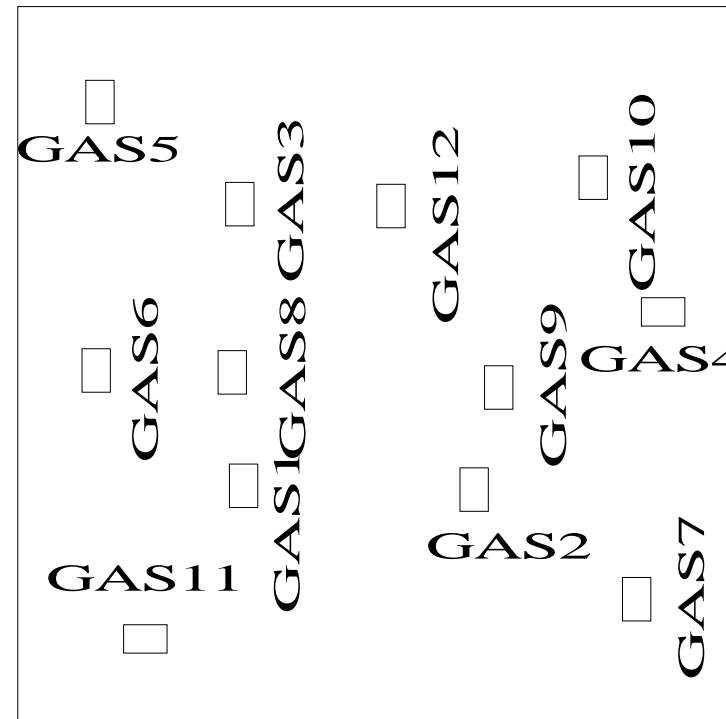
**SMD GASKET FOR EMI (8\*6\* 9.5T)**



Draw bottom location when make a new pcb

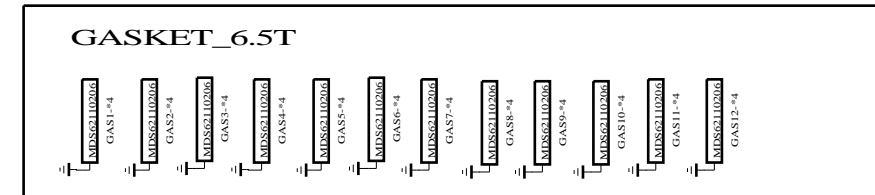


EAX61538101



EAX61746401

**SMD GASKET FOR EMI (8\*6\*6.5 FOR 32LE7500)**

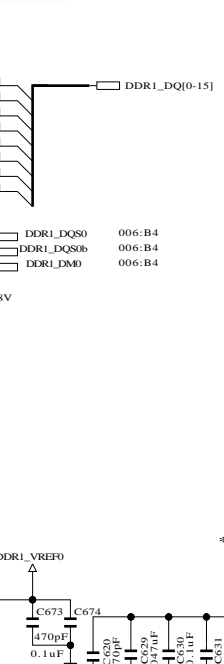
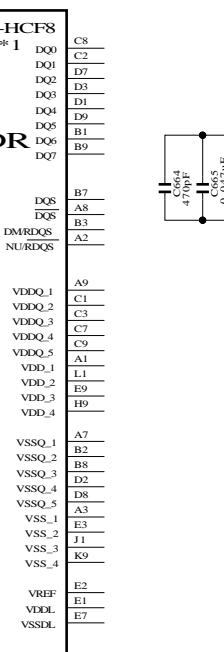
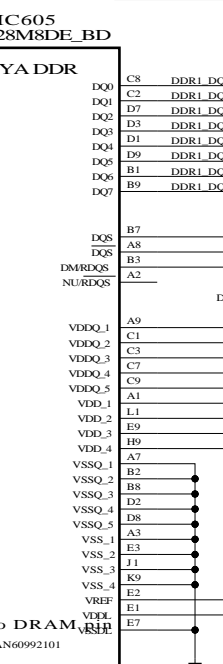
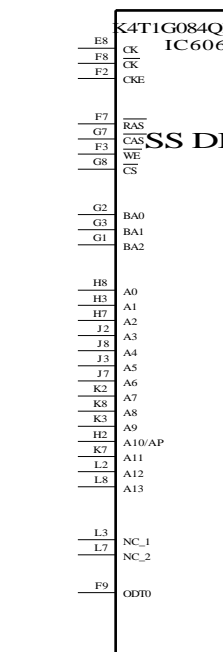
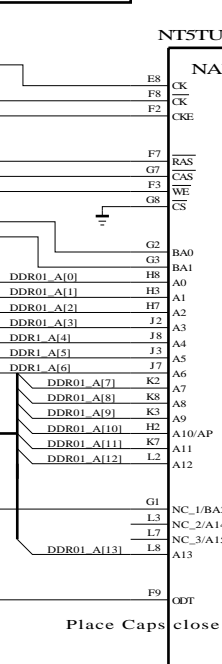
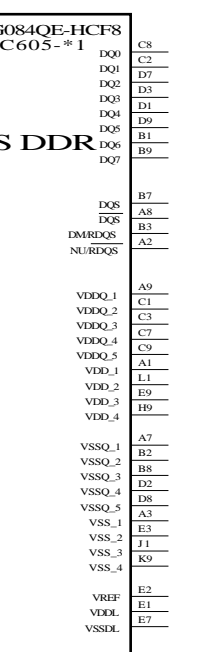
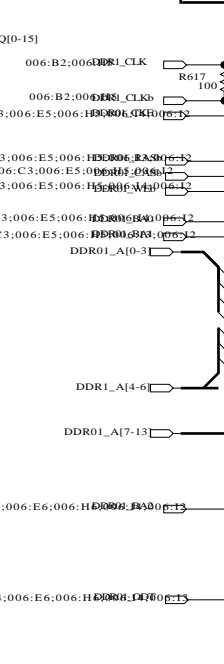
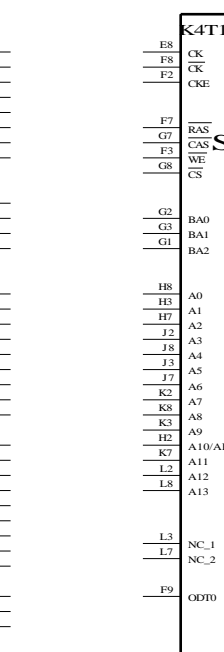
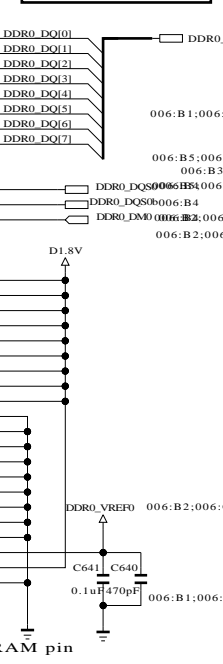
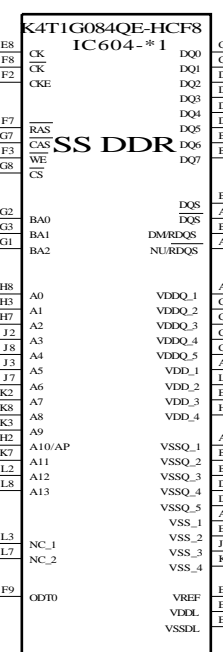
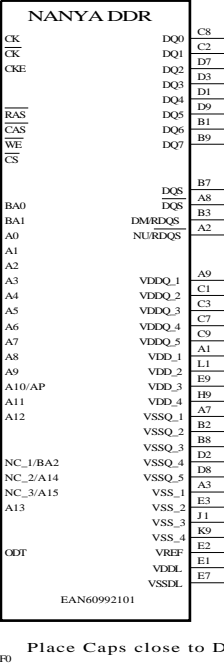
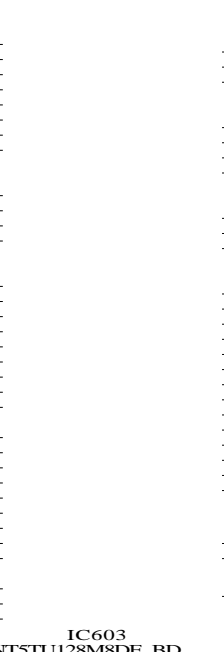
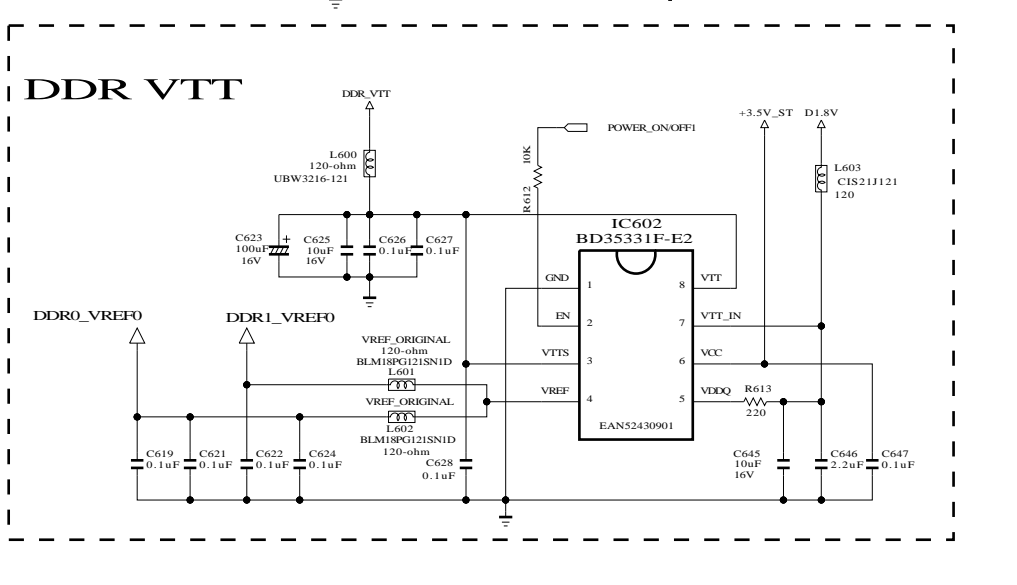
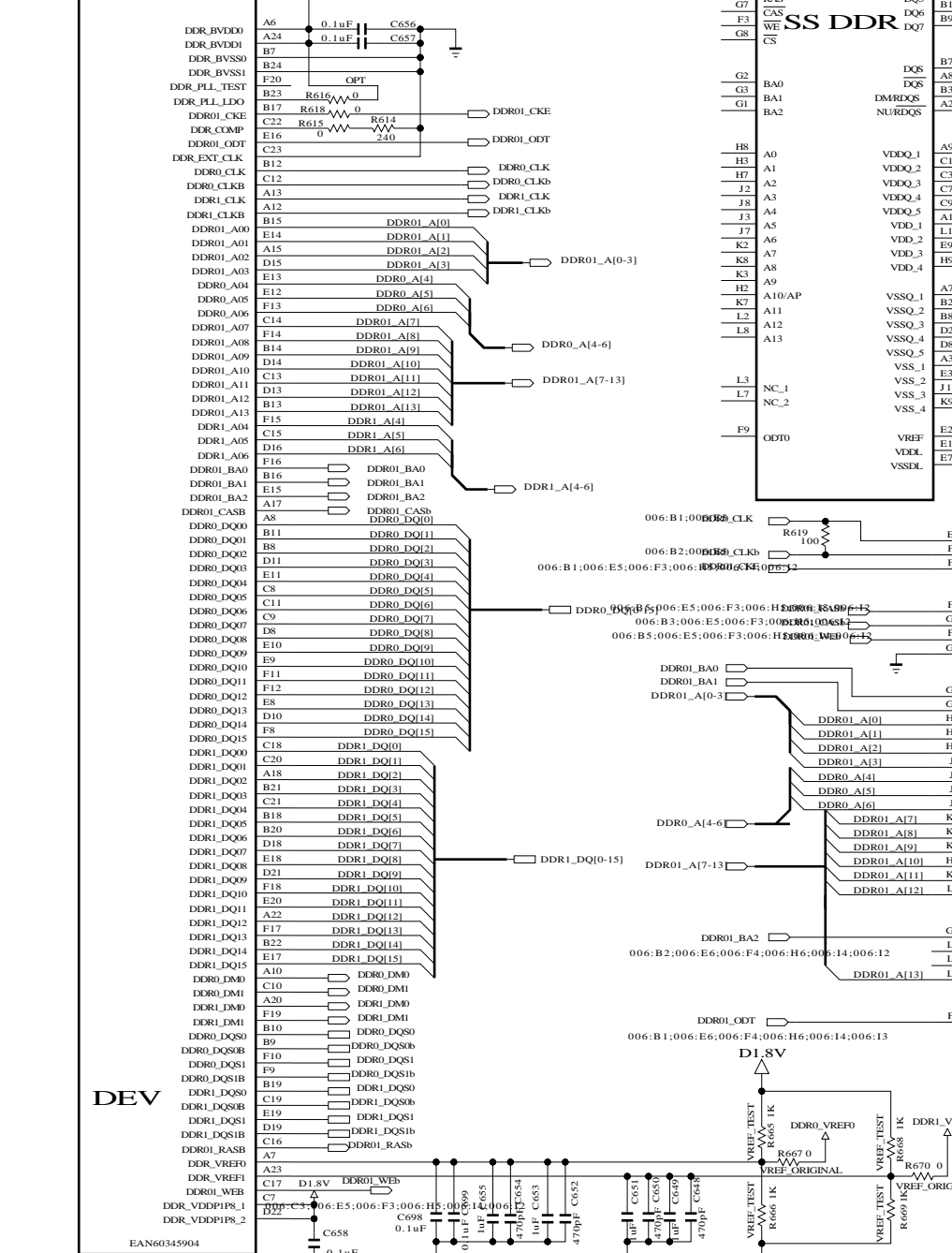


THE SYMBOL MARK OF THIS SCHEMATIC DIAGRAM INCORPORATES SPECIAL FEATURES IMPORTANT FOR PROTECTION FROM X-RADIATION, FILRE AND ELECTRICAL SHOCK HAZARDS, WHEN SERVICING IF IS ESSENTIAL THAT ONLY MANUFACTURES SPECIFIED PARTS BE USED FOR THE CRITICAL COMPONENTS IN THE SYMBOL MARK OF THE SCHEMATIC.

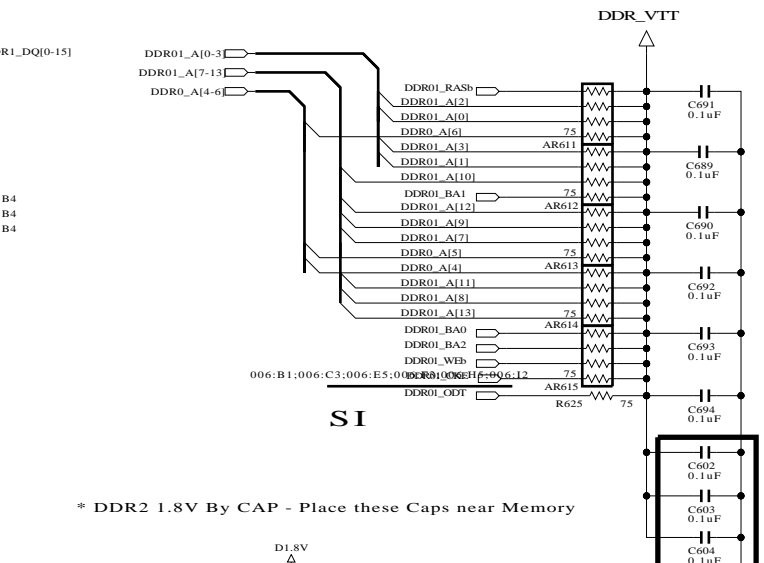
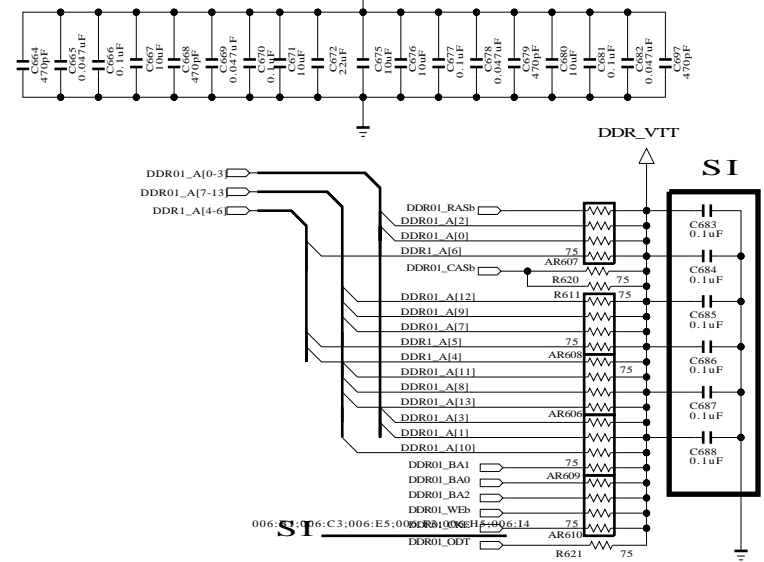


# BCM-DDR

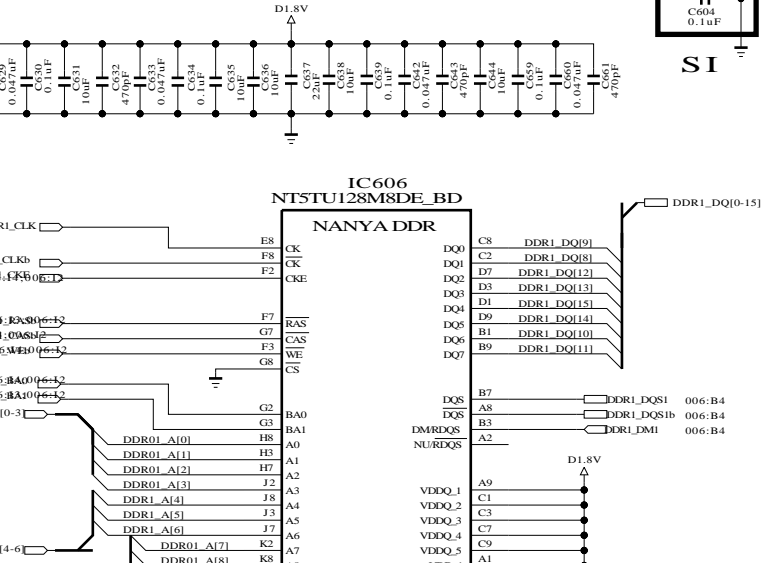
IC900  
LGE3549XQ (B2 VERSION)



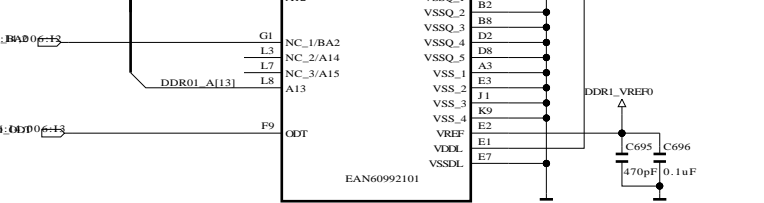
\* DDR 1.8V By CAP - Place these Caps near Memory



\* DDR 1.8V By CAP - Place these Caps near Memory



\* DDR 1.8V By CAP - Place these Caps near Memory



THE SYMBOL MARK OF THIS SCHEMATIC DIAGRAM INCORPORATES SPECIAL FEATURES IMPORTANT FOR PROTECTION FROM X-RADIATION. FILRE AND ELECTRICAL SHOCK HAZARDS, WHEN SERVICING IF IS ESSENTIAL THAT ONLY MANUFACTURES SPECIFIED PARTS BE USED FOR THE CRITICAL COMPONENTS IN THE SYMBOL MARK OF THE SCHEMATIC.

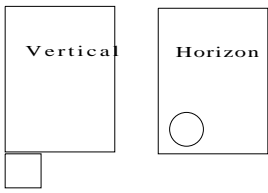
SECRET  
LGElectronics

LG ELECTRONICS

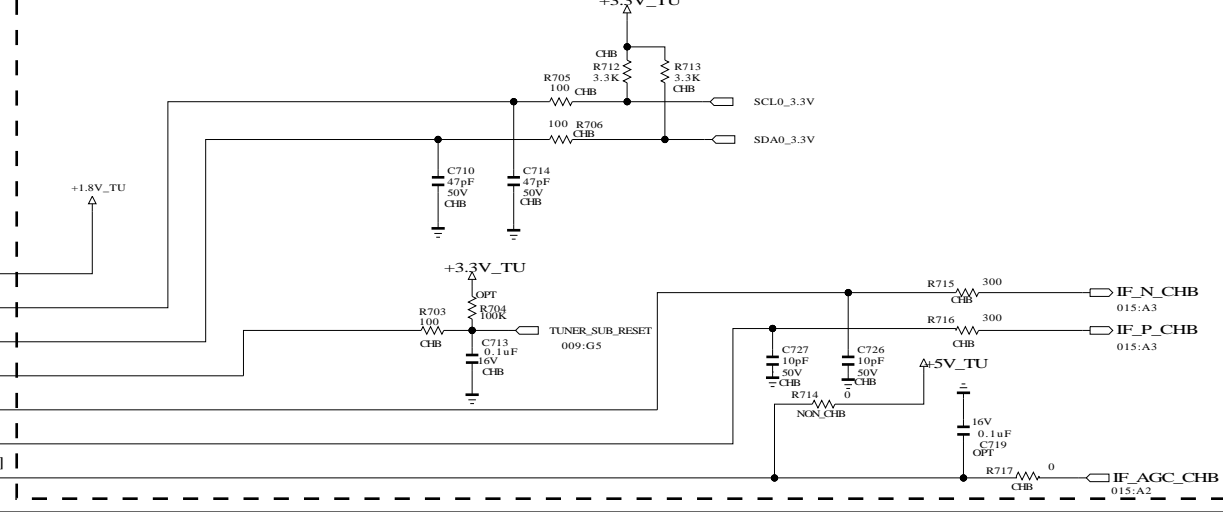
MODEL	GP2 BCM AT6C	DATE	09/10/xx
BLOCK	BCM-DDR	SHEET	6 / 100

# ATSC TUNER

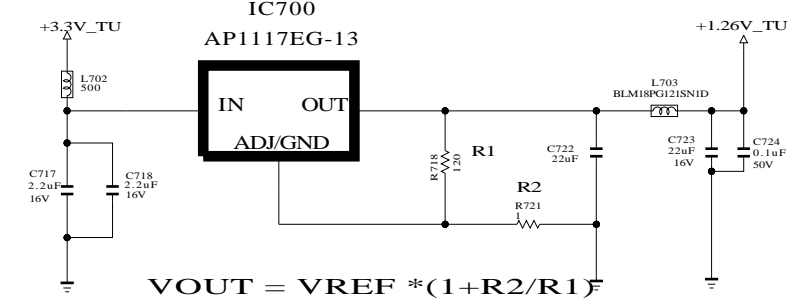
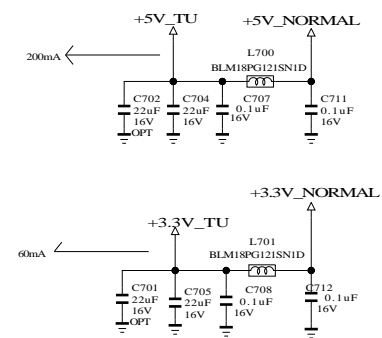
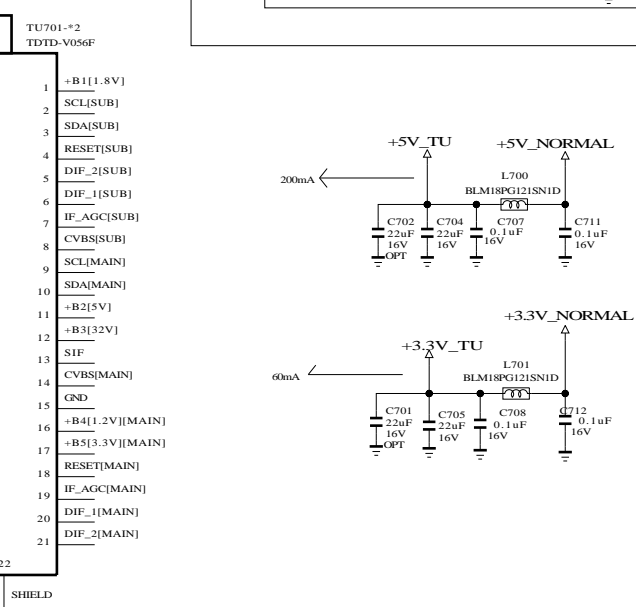
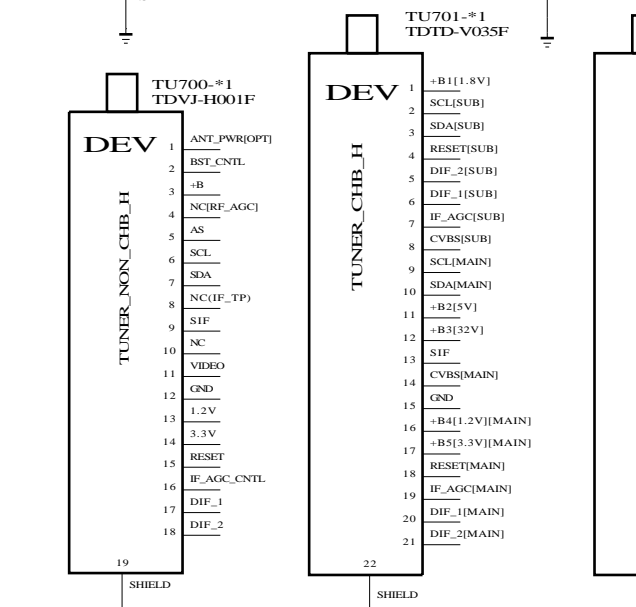
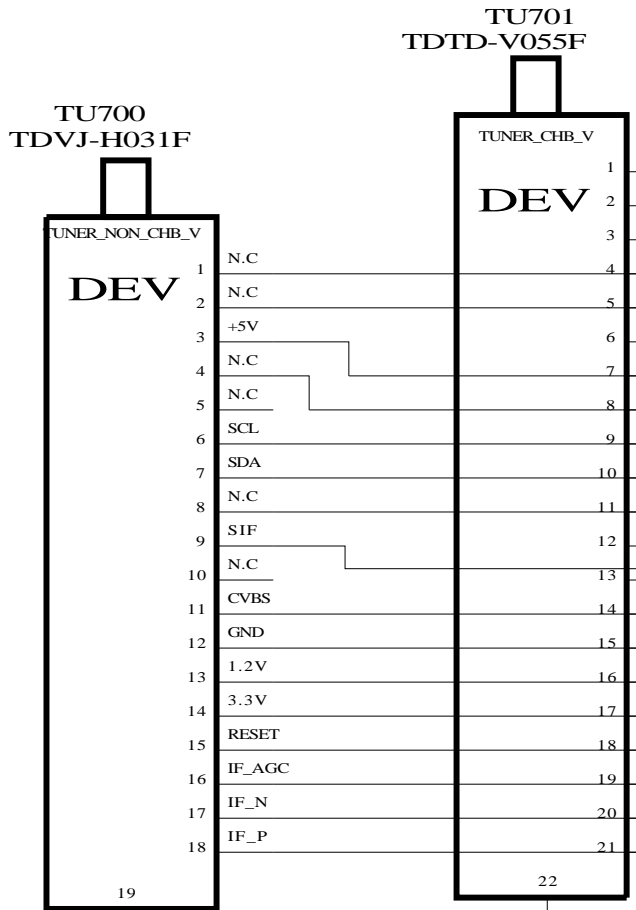
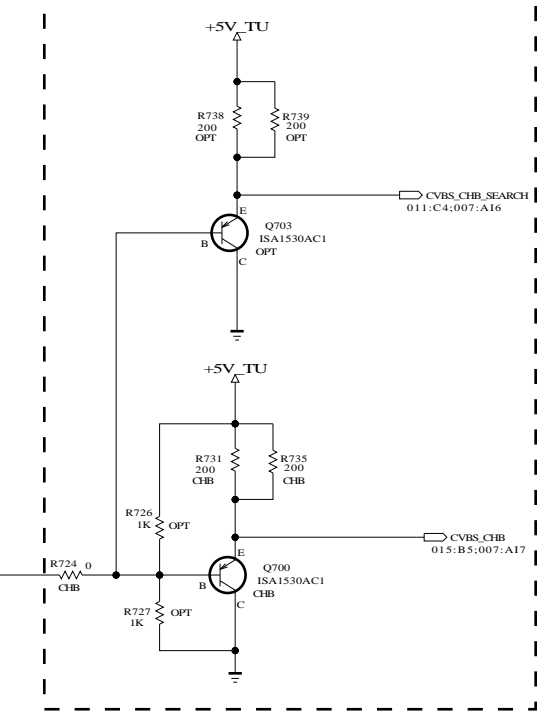
## TUNER TYPE



## CHB OPTION

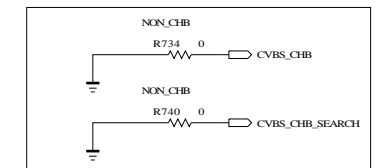


## CHB OPTION

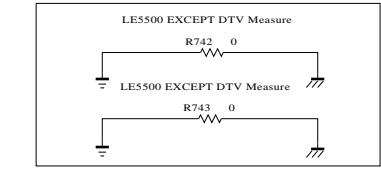


$$V_{OUT} = V_{REF} * (1 + R2/R1)$$

## NON CHB OPTION



## LE5500 EXCEPT DTV Measure OPTION



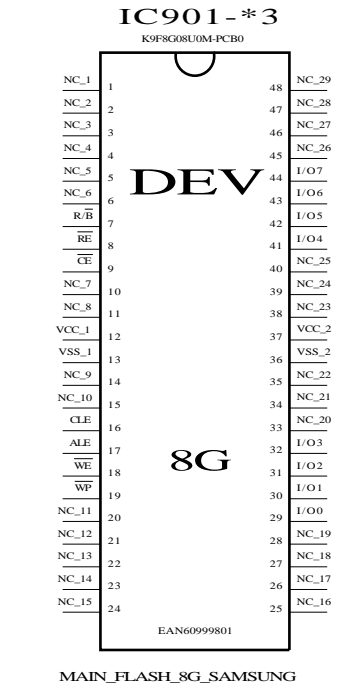
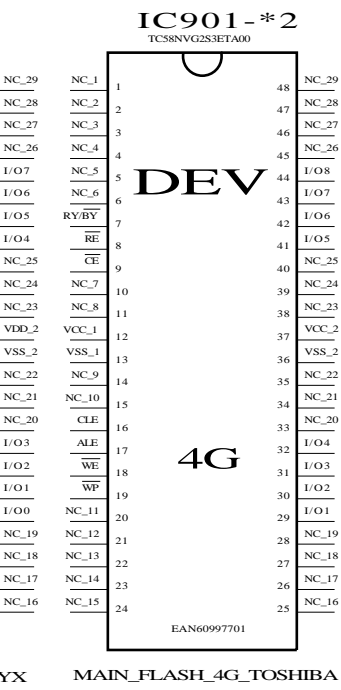
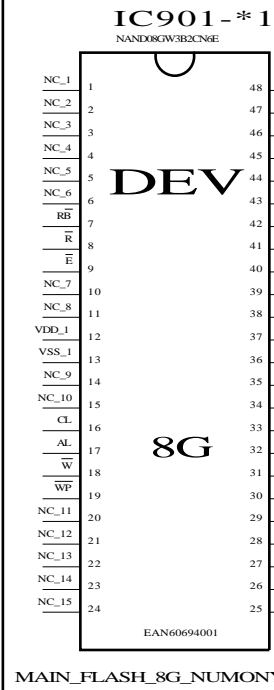
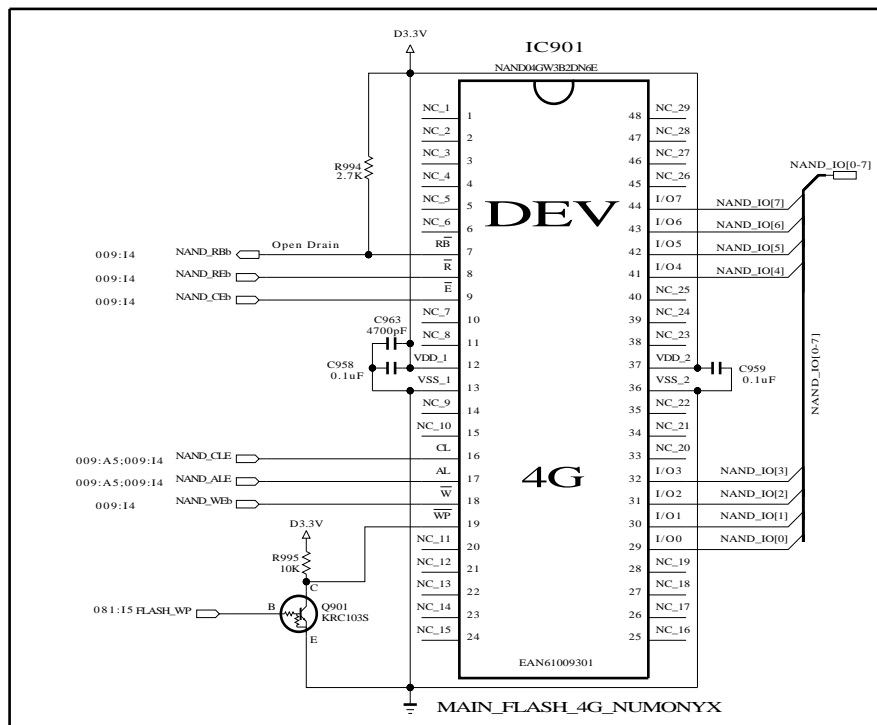
THE SYMBOL MARK OF THIS SCHEMATIC DIAGRAM INCORPORATES SPECIAL FEATURES IMPORTANT FOR PROTECTION FROM X-RADIATION, FILRE AND ELECTRICAL SHOCK HAZARDS, WHEN SERVICING IF IS ESSENTIAL THAT ONLY MANUFACTURES SPECIFIED PARTS BE USED FOR THE CRITICAL COMPONENTS IN THE SYMBOL MARK OF THE SCHEMATIC.

SECRET  
LGElectronics

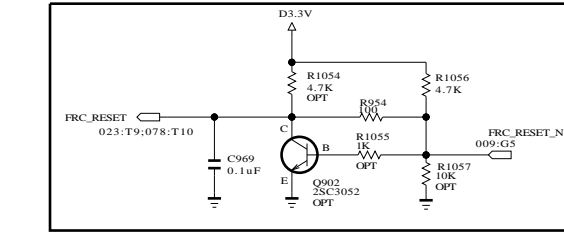
LG ELECTRONICS

MODEL	GP2_BCM_ATSC	DATE	09/10/xx
BLOCK	ATSC_TUNER	SHEET	7 / 100

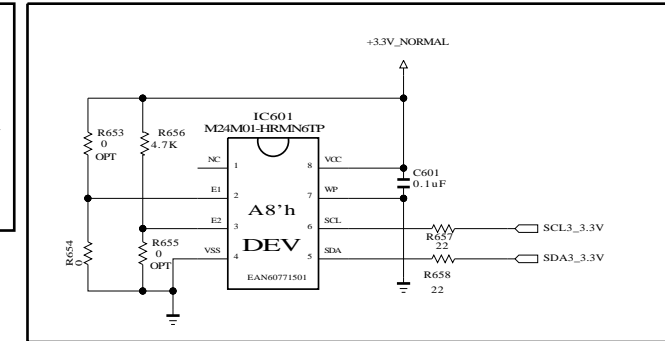
# NAND FLASH MEMORY



## FRC\_RESET



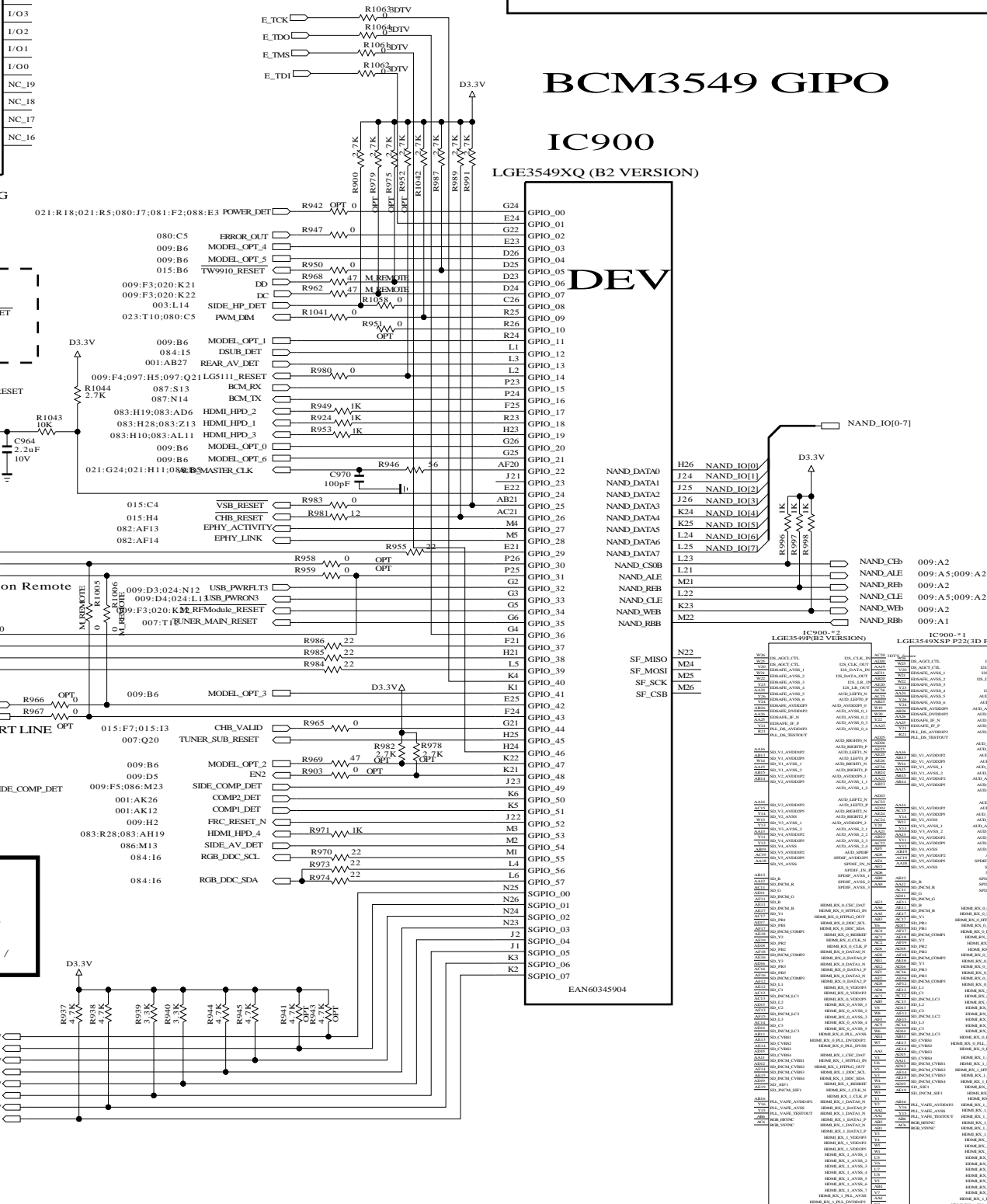
## NVRAM



## BCM3549 GPIO

### IC900

LGE3549XQ (B2 VERSION)



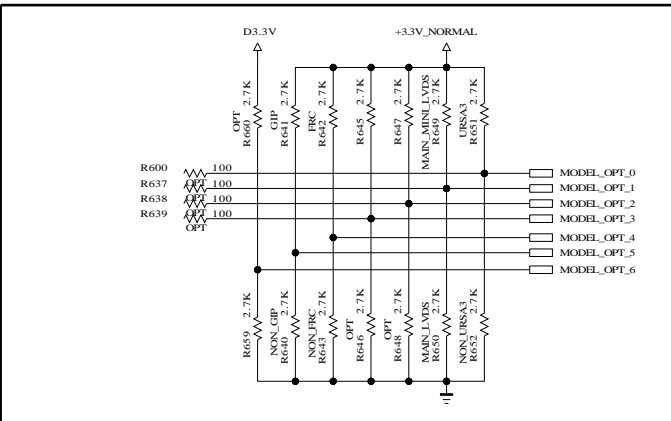
## BCM3549 Boot Strap

### Boot Strap

Default Res. of all NAND pin is Pull-down

- NAND\_IO[0] : Flash Select (1)  
0 : Boot From Serial Flash  
1 : Boot From NAND Flash
- NAND\_IO[1] : NAND Block 0 Write (DNS)  
0 : Enable Block 0 Write  
1 : Disable Block 0 Write
- NAND\_IO[3:2] : NAND ECC (1, DNS)  
00 : No ECC  
01 : 1 ECC Bit  
10 : 4 ECC Bit  
11 : 8 ECC Bit
- NAND\_IO[4] : CPU Endian (0)  
0 : Little Endian  
1 : Big Endian
- NAND\_IO[6:5] : Xtal Bias Control (1, DNS)  
00 : 1.2mA (Fundamental Recommand)  
01 : 1.8mA  
10 : 2.4mA (3rd over tune Recommand)  
11 : 3.0mA
- NAND\_IO[7] : MIPS Frequency (DNS)  
0 : 405MHz  
1 : 378MHz
- NAND\_ALE : I2C Level (DNS)  
0 : 3.3V Switching  
1 : 5V Switching
- NAND\_CLE : I2C Level (DNS)  
0 : Enable D2CDIFF AC  
1 : Disabe D2CDIFF AC

## MODEL OPTION



PIN NAME	PIN NO.	HIGH	LOW
MODEL_OPT_0	G26	URSA3	NON_URSA3
MODEL_OPT_1	R24	MAIN_MIN_LVDS	MAIN_LVDS
MODEL_OPT_2	K22	DDR-512M	DDR-256M
MODEL_OPT_3	K1	FHD	HD
MODEL_OPT_4	E23	FRC	NON_FRC
MODEL_OPT_5	D26	GIP	NON_GIP
MODEL_OPT_6	G25	OLED	NON_OLED

\*MODEL\_OPT\_0 & MODEL\_OPT\_4 REFER TO THIS OPTION

MODEL_OPT_0	MODEL_OPT_4
LOW	NO FRC
HIGH	LOW
HIGH	HIGH
LOW	HIGH
LOW	LOW
HIGH	HIGH
HIGH	LOW
LOW	LOW

## I2C MAP

- I2C\_0: AT TUNER(C2,10) / CHB TUNER
- I2C\_1: MICOM(52) / NTP7000(54) / URSA3(B4)
- I2C\_2: HDMI SW(C0) / VIDEO ENC. / VSB DEMOD.CH BLOWSER, SUB AMP
- I2C\_3: NVRAM(A8) / LGS111(1E) / P-GAMMA(E8) / WIRELESS / MEMC\_240

Wireless I2C connection with I2C\_3 Address : 0X20



THE SYMBOL MARK OF THIS SCHEMATIC DIAGRAM INCORPORATES SPECIAL FEATURES IMPORTANT FOR PROTECTION FROM X-RADIATION. FILRE AND ELECTRICAL SHOCK HAZARDS, WHEN SERVICING IF IS ESSENTIAL THAT ONLY MANUFACTURES SPECIFIED PARTS BE USED FOR THE CRITICAL COMPONENTS IN THE SYMBOL MARK OF THE SCHEMATIC.

SECRET  
LGElectronics

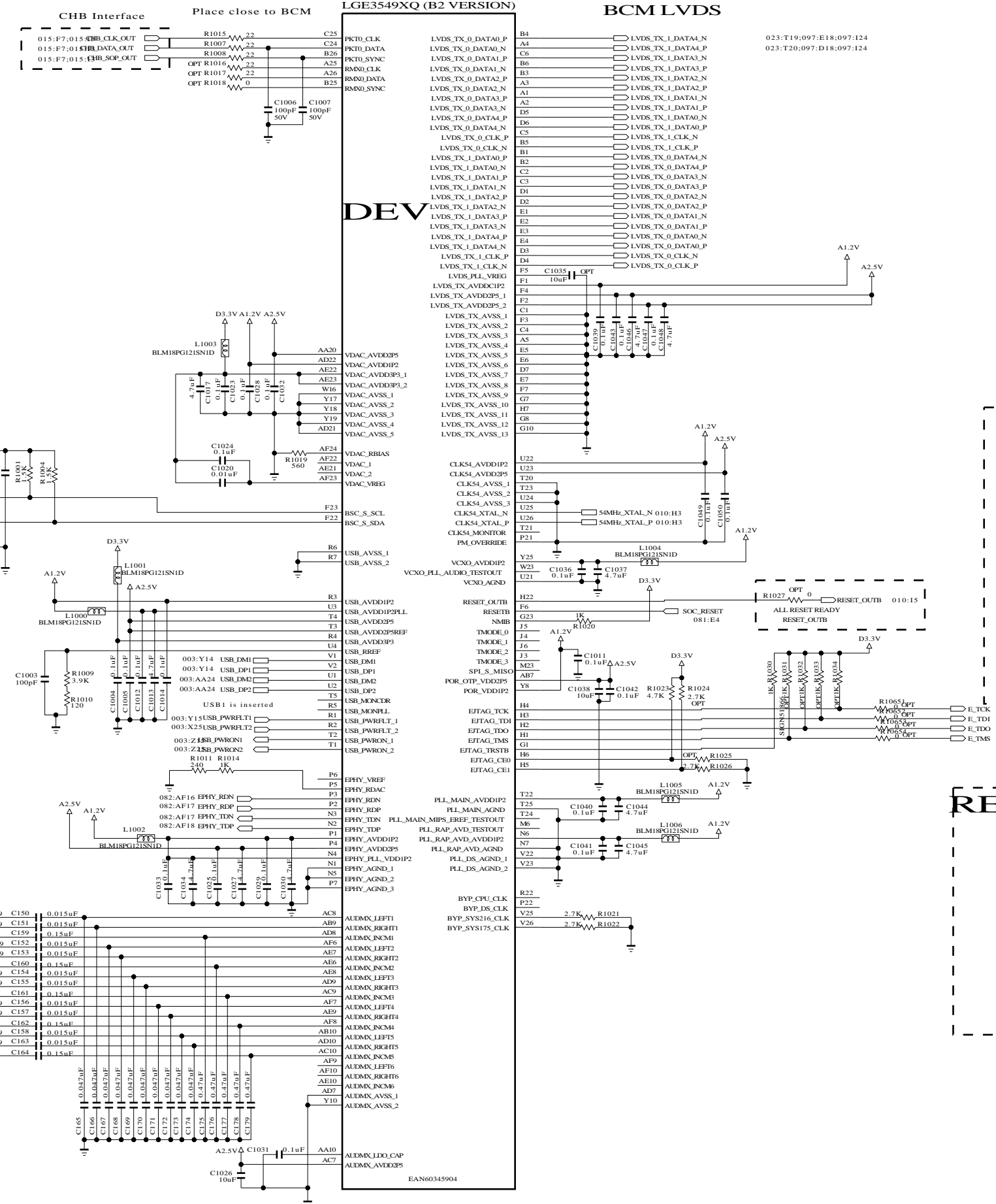
LG ELECTRONICS

# BCM3549 LVDS/AUDIO

IC900

LGE3549XQ (B2 VERSION)

BCM LVDS



#CAUTION  
Location number is mixed  
100 & 1000

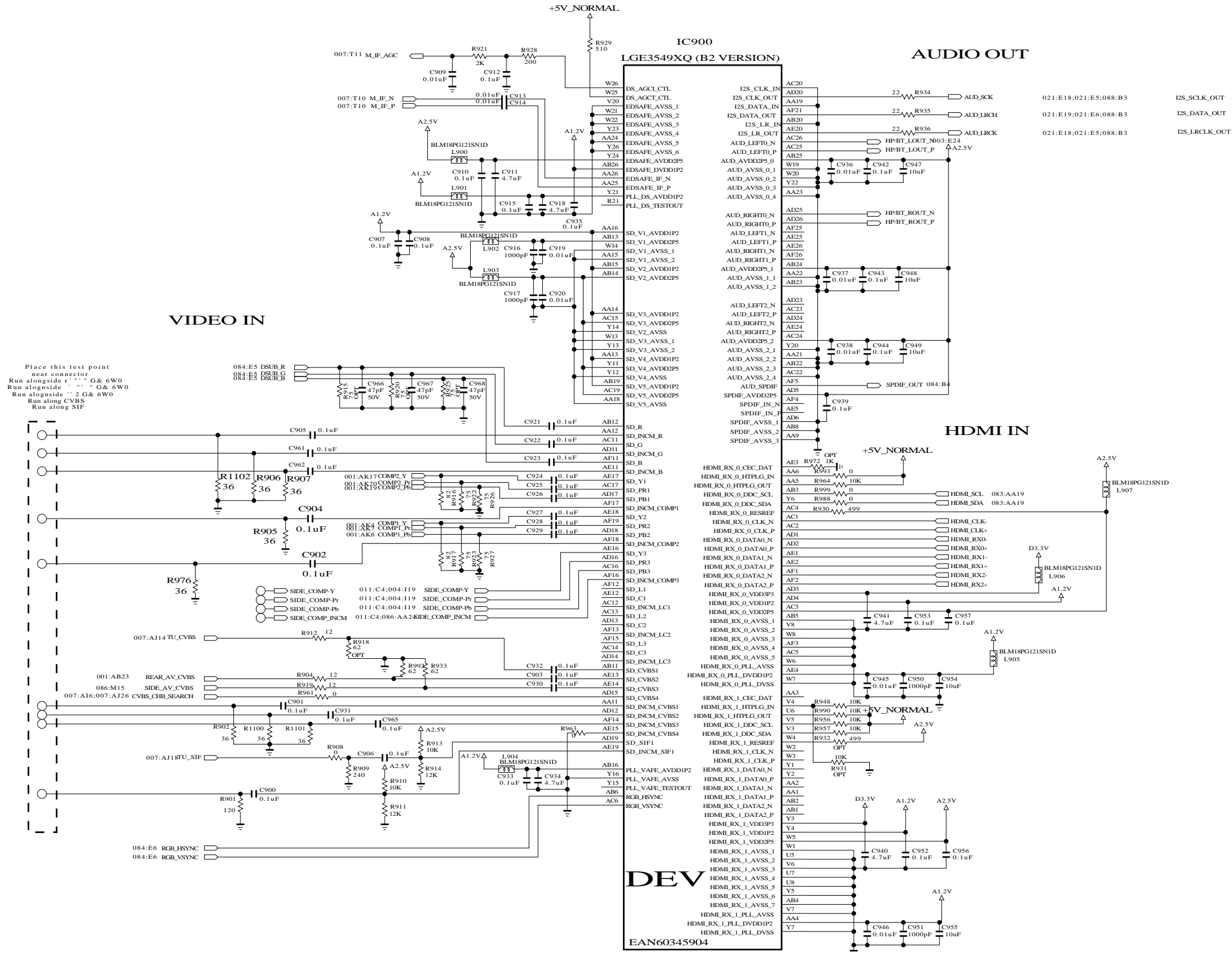
THE SYMBOL MARK OF THIS SCHEMATIC DIAGRAM INCORPORATES SPECIAL FEATURES IMPORTANT FOR PROTECTION FROM X-RADIATION. FILRE AND ELECTRICAL SHOCK HAZARDS, WHEN SERVICING IF IS ESSENTIAL THAT ONLY MANUFACTURES SPECIFIED PARTS BE USED FOR THE CRITICAL COMPONENTS IN THE SYMBOL MARK OF THE SCHEMATIC.

SECRET  
LGElectronics



MODEL	GP2_BCM_ATS	DATE	09/10/xx
BLOCK	BCM-LVDS/AUDIO	SHEET	10 / 100

# BCM3549 VIDEO



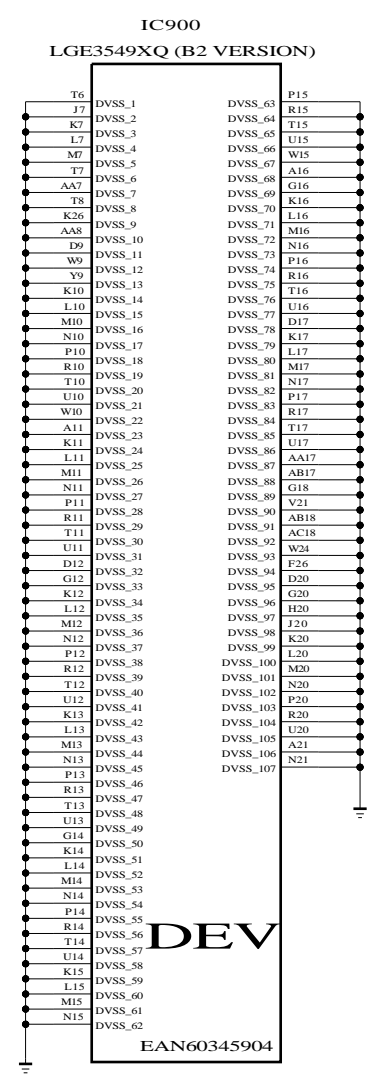
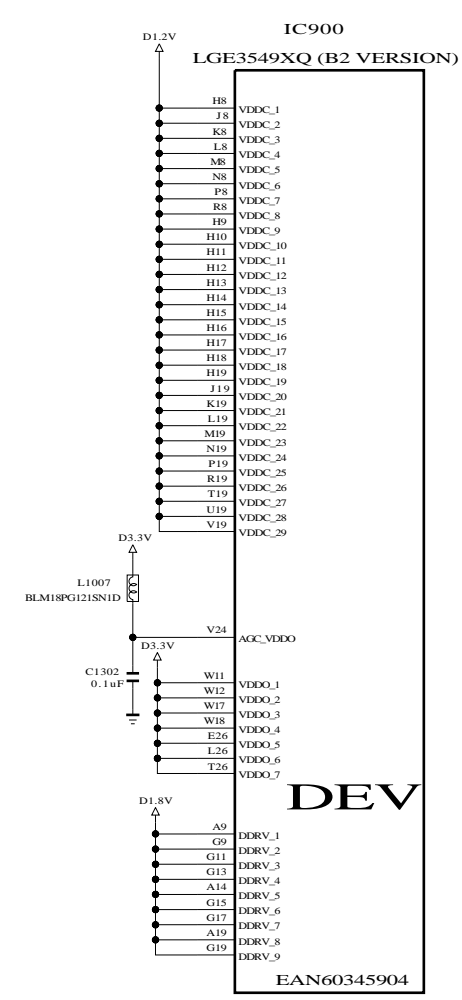
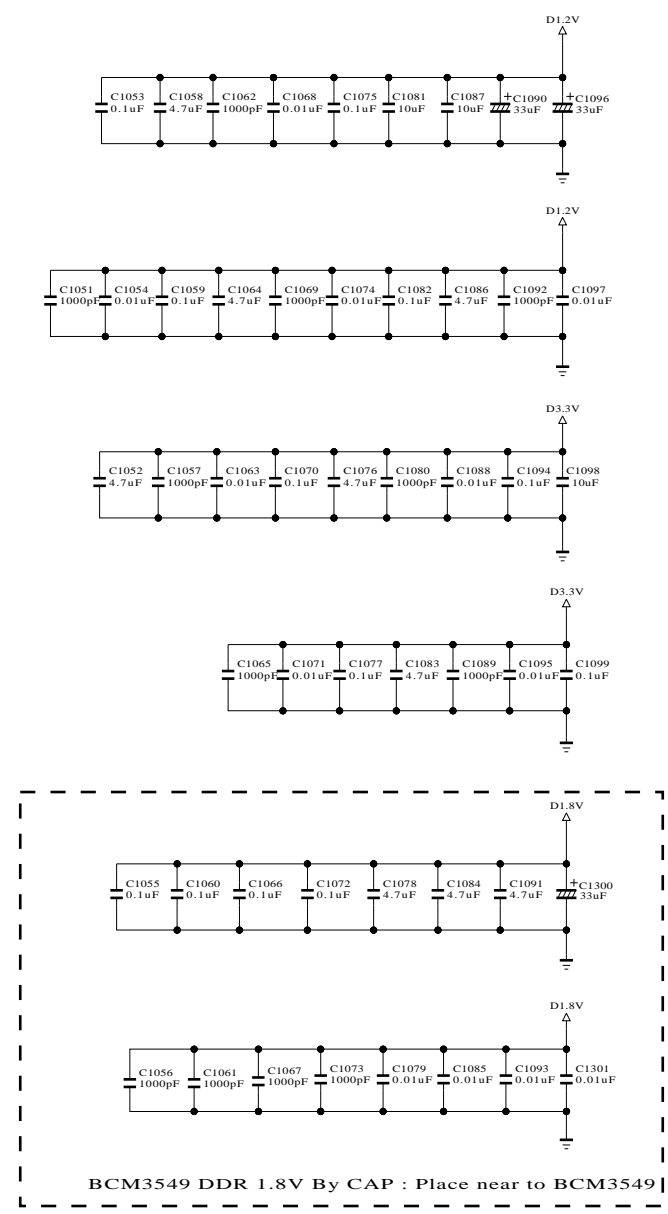
THE SYMBOL MARK OF THIS SCHEMATIC DIAGRAM INCORPORATES SPECIAL FEATURES IMPORTANT FOR PROTECTION FROM X-RADIATION. FILRE AND ELECTRICAL SHOCK HAZARDS, WHEN SERVICING IF IS ESSENTIAL THAT ONLY MANUFACTURES SPECIFIED PARTS BE USED FOR THE CRITICAL COMPONENTS IN THE SYMBOL MARK OF THE SCHEMATIC.

**SECRET**  
 LGElectronics



MODEL	GP2_BCM_ATSC	DATE	09/10/x x
BLOCK	BCM-VIDEO	SHEET	11 / 100

# BCM3549 POWER



THE SYMBOL MARK OF THIS SCHEMATIC DIAGRAM INCORPORATES SPECIAL FEATURES IMPORTANT FOR PROTECTION FROM X-RADIATION, FILRE AND ELECTRICAL SHOCK HAZARDS, WHEN SERVICING IF IS ESSENTIAL THAT ONLY MANUFACTURES SPECIFIED PARTS BE USED FOR THE CRITICAL COMPONENTS IN THE SYMBOL MARK OF THE SCHEMATIC.

SECRET  
LGElectronics

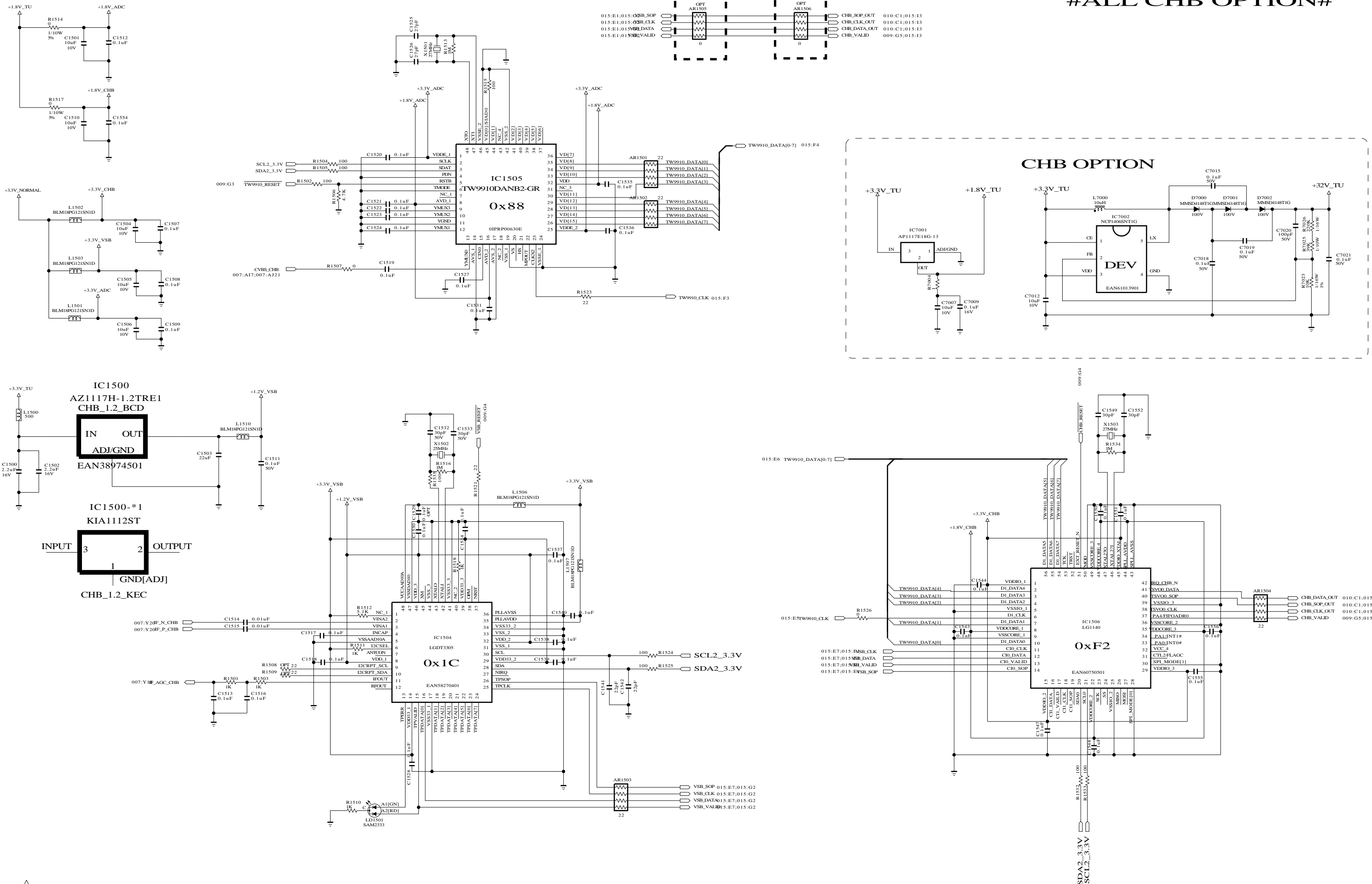
JANG JAE HO

LG ELECTRONICS

MODEL	GP2_BCM_ATS	DATE	09/04/xx
BLOCK	BCM-POWER	SHEET	13 / 100

# Channel Browser

#ALL CHB OPTION#



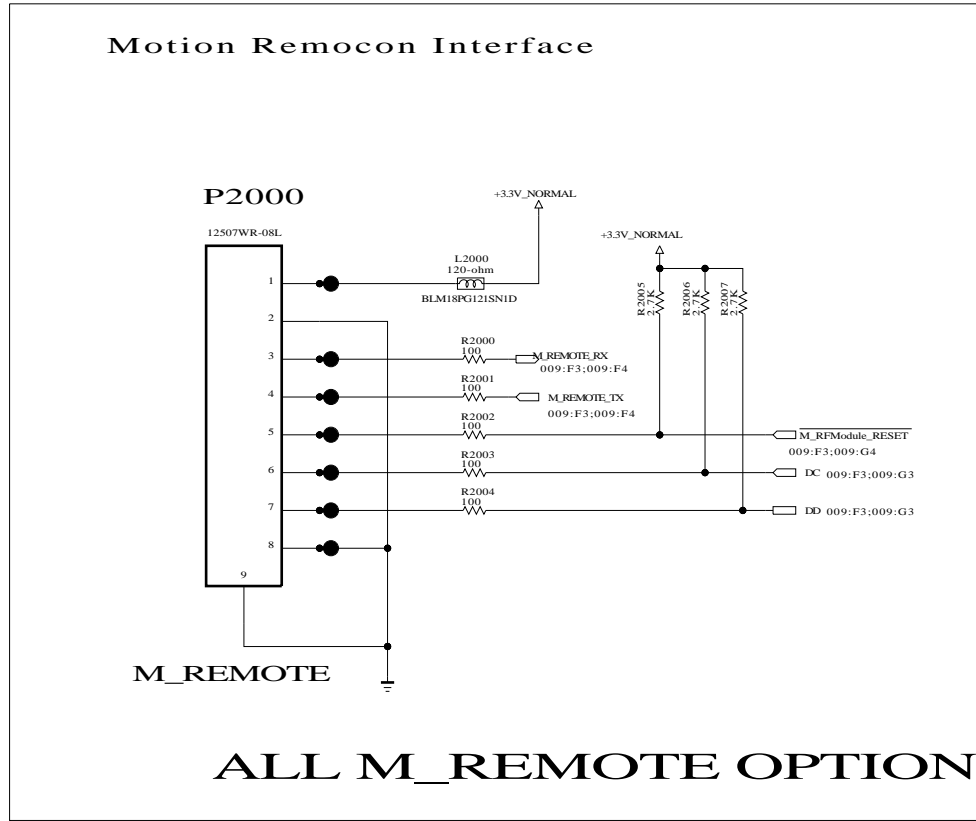
THE SYMBOL MARK OF THIS SCHEMATIC DIAGRAM INCORPORATES SPECIAL FEATURES IMPORTANT FOR PROTECTION FROM X-RADIATION, FILRE AND ELECTRICAL SHOCK HAZARDS, WHEN SERVICING IF IS ESSENTIAL THAT ONLY MANUFACTURES SPECIFIED PARTS BE USED FOR THE CRITICAL COMPONENTS IN THE SYMBOL MARK OF THE SCHEMATIC.

SECRET  
LGElectronics



MODEL	GP2_BCM_ATSC	DATE	09.10
BLOCK	CHB	SHEET	15 / 100

# Motion Remote controller



THE SYMBOL MARK OF THIS SCHEMATIC DIAGRAM INCORPORATES SPECIAL FEATURES IMPORTANT FOR PROTECTION FROM X-RADIATION. FILRE AND ELECTRICAL SHOCK HAZARDS, WHEN SERVICING IF IS ESSENTIAL THAT ONLY MANUFACTURES SPECIFIED PARTS BE USED FOR THE CRITICAL COMPONENTS IN THE SYMBOL MARK OF THE SCHEMATIC.

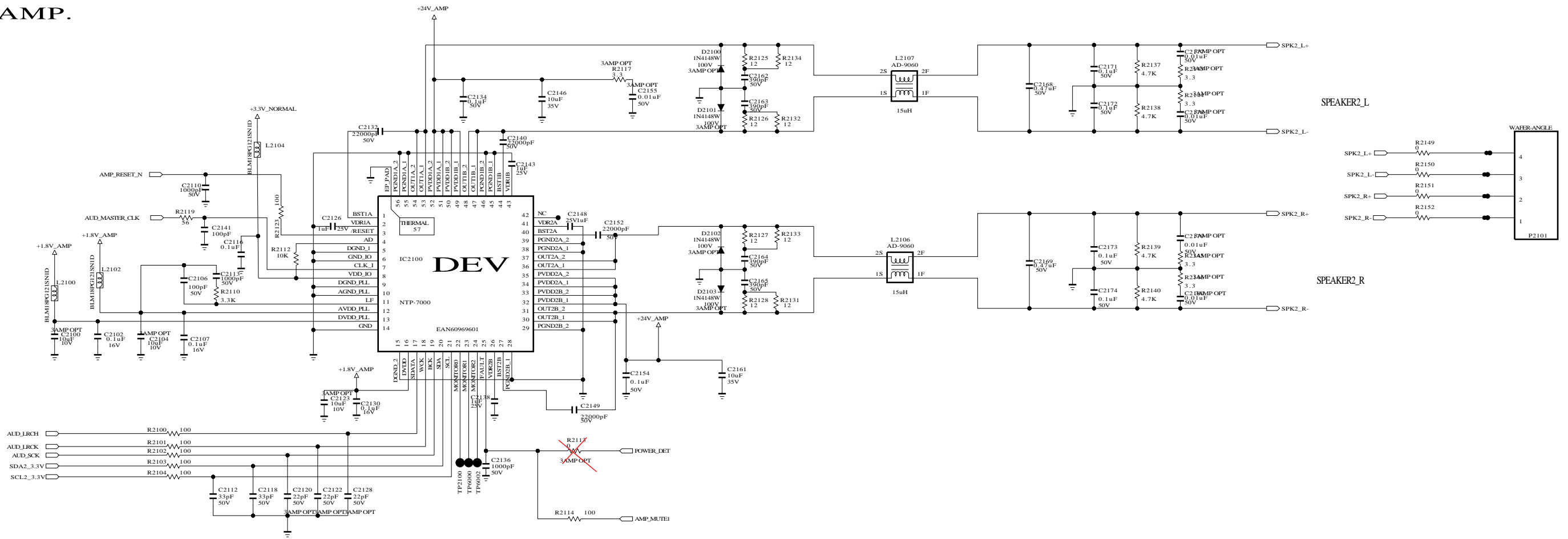
SECRET  
LGElectronics

LG ELECTRONICS

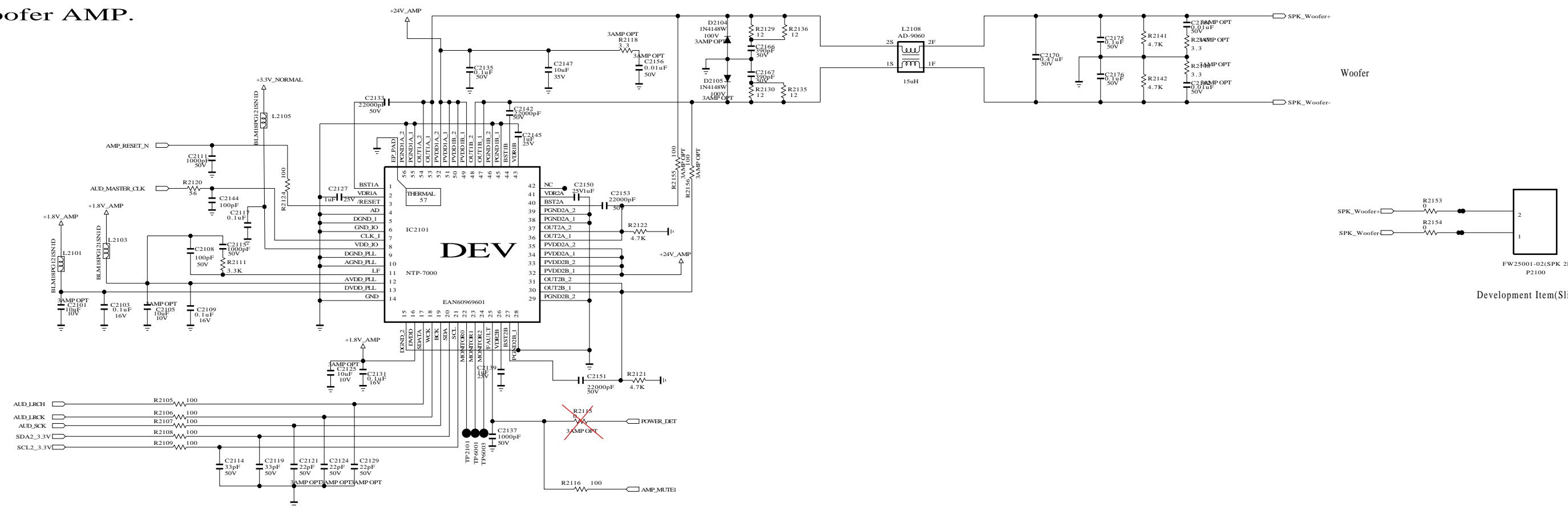
MODEL	GP2_BCM_ATSC	DATE	09/10/xx
BLOCK	MOTION_REMOCO	SHEET	20 / 100



# Sub AMP.



# Woofers AMP.



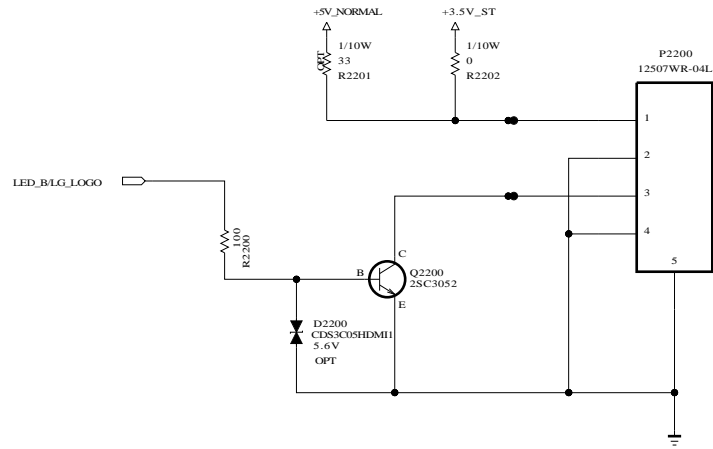
THE SYMBOL MARK OF THIS SCHEMATIC DIAGRAM INCORPORATES SPECIAL FEATURES IMPORTANT FOR PROTECTION FROM X-RADIATION. FILRE AND ELECTRICAL SHOCK HAZARDS, WHEN SERVING IF IS ESSENTIAL THAT ONLY MANUFACTURES SPECIFIED PARTS BE USED FOR THE CRITICAL COMPONENTS IN THE SYMBOL MARK OF THE SCHEMATIC.

**SECRET**  
LGElectronics



MODEL	GP2_BCM_ATSC	DATE	09.10
BLOCK	AMP_SUB_NTP	SHEET	21 / 100

# LG LOGO FOR LE9500

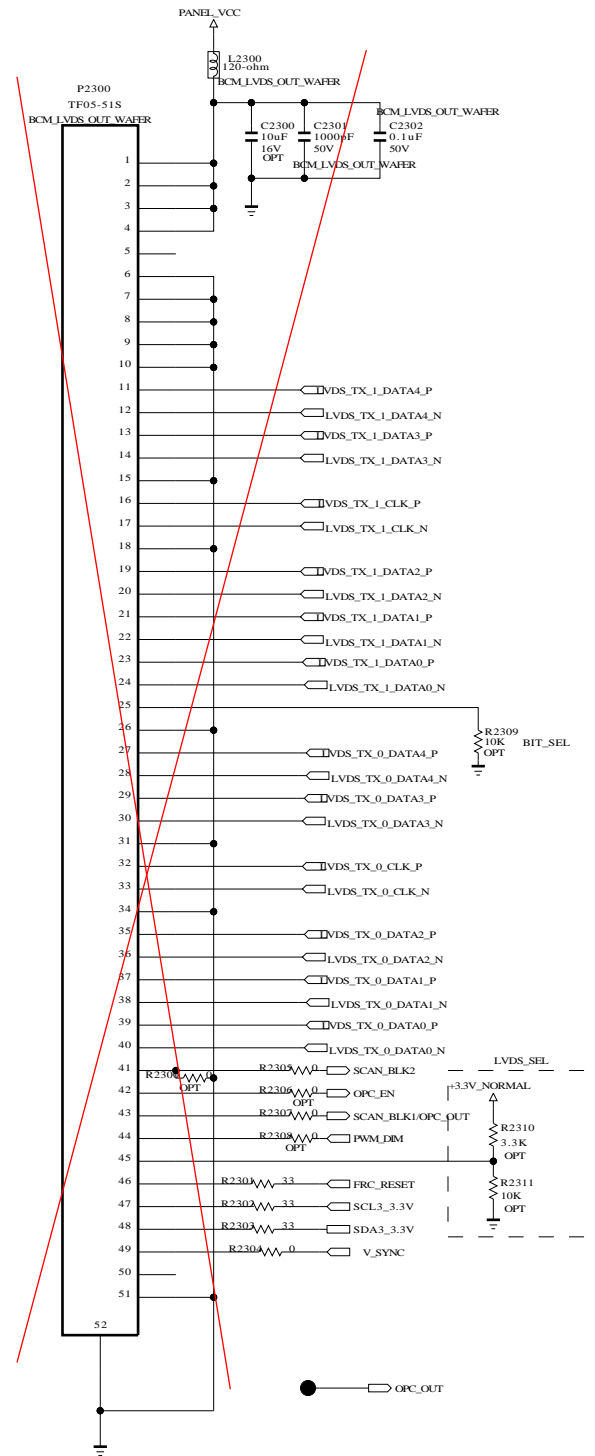


THE SYMBOL MARK OF THIS SCHEMATIC DIAGRAM INCORPORATES SPECIAL FEATURES IMPORTANT FOR PROTECTION FROM X-RADIATION. FILRE AND ELECTRICAL SHOCK HAZARDS, WHEN SERVICING IF IS ESSENTIAL THAT ONLY MANUFACTURES SPECIFIED PARTS BE USED FOR THE CRITICAL COMPONENTS IN THE SYMBOL MARK OF THE SCHEMATIC.

SECRET	
LGElectronics	

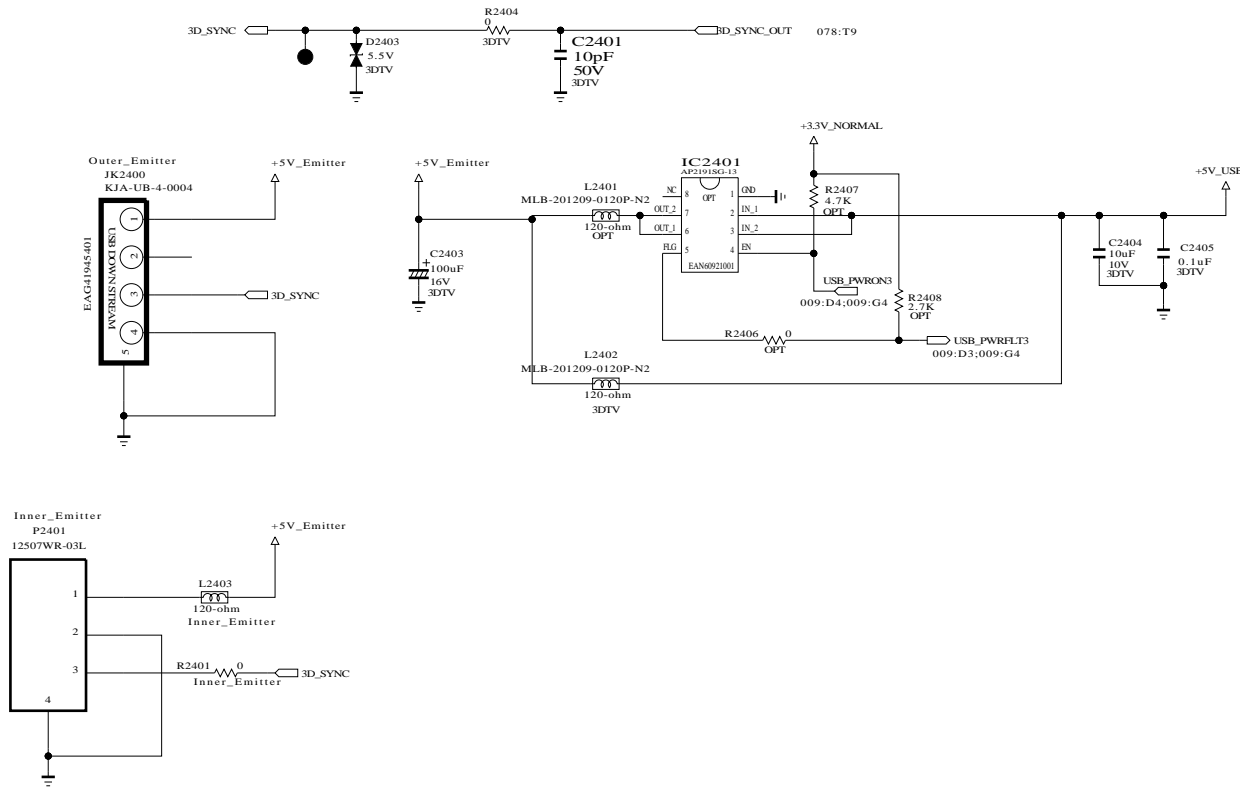
MODEL	GP2_BCM_ATSC	DATE	09/10/xx
BLOCK	LG_LOGO_LE9500	SHEET	22 / 100

[51Pin LVDS Connector]  
(For FHD 60Hz)



THE SYMBOL MARK OF THIS SCHEMATIC DIAGRAM INCORPORATES SPECIAL FEATURES IMPORTANT FOR PROTECTION FROM X-RADIATION. FILRE AND ELECTRICAL SHOCK HAZARDS, WHEN SERVICING IF IS ESSENTIAL THAT ONLY MANUFACTURES SPECIFIED PARTS BE USED FOR THE CRITICAL COMPONENTS IN THE SYMBOL MARK OF THE SCHEMATIC.

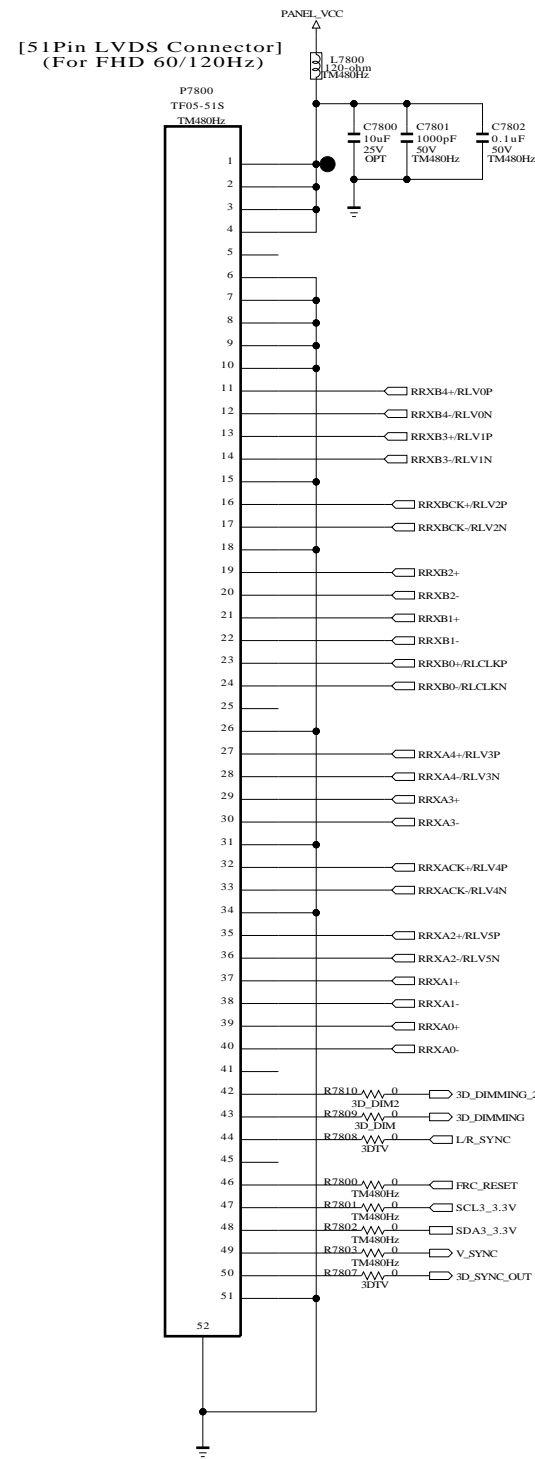
# SIDE IR Emitter sync USB JACK



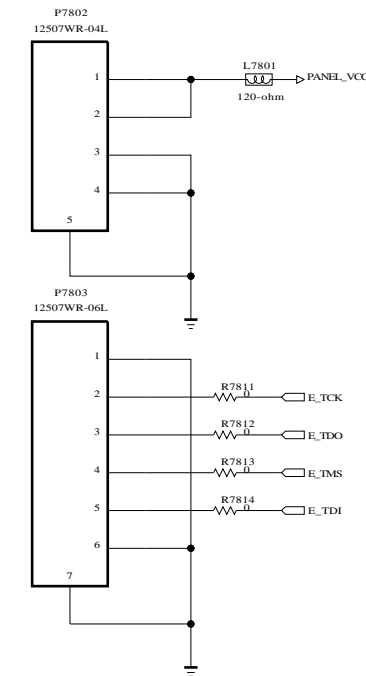
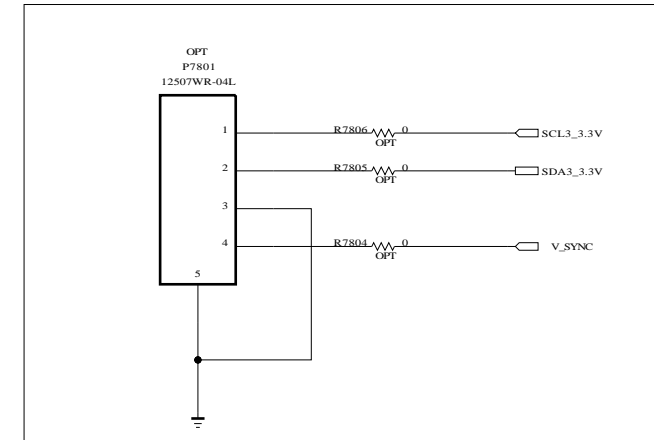
THE SYMBOL MARK OF THIS SCHEMATIC DIAGRAM INCORPORATES SPECIAL FEATURES IMPORTANT FOR PROTECTION FROM X-RADIATION. FILRE AND ELECTRICAL SHOCK HAZARDS. WHEN SERVICING IF IS ESSENTIAL THAT ONLY MANUFACTURES SPECIFIED PARTS BE USED FOR THE CRITICAL COMPONENTS IN THE SYMBOL MARK OF THE SCHEMATIC.

SECRET	
LG Electronics	

MODEL	GP2_BCM_ATSC	DATE	09/11/18
BLOCK	3D_IR_GENDER	SHEET	24 / 100



I2C\_#3 Check(LG5111, LG1120, etc)



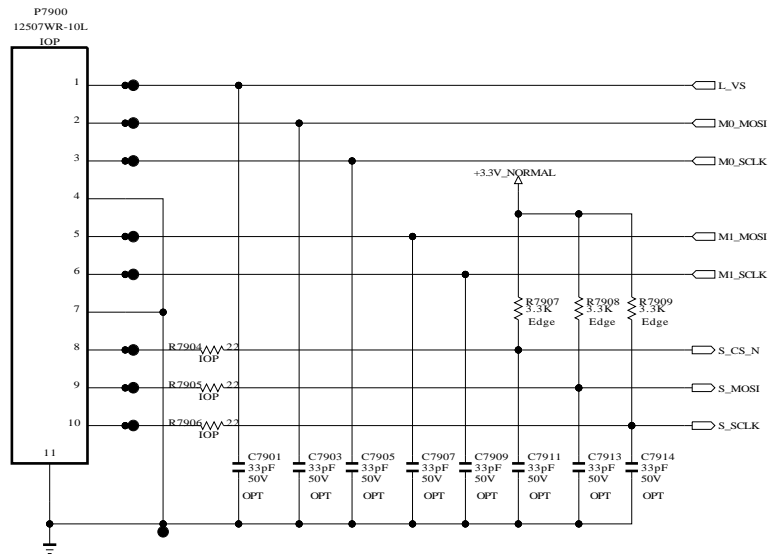
THE SYMBOL MARK OF THIS SCHEMATIC DIAGRAM INCORPORATES SPECIAL FEATURES IMPORTANT FOR PROTECTION FROM X-RADIATION. FILRE AND ELECTRICAL SHOCK HAZARDS, WHEN SERVICING IF IS ESSENTIAL THAT ONLY MANUFACTURES SPECIFIED PARTS BE USED FOR THE CRITICAL COMPONENTS IN THE SYMBOL MARK OF THE SCHEMATIC.

SECRET  
LGElectronics

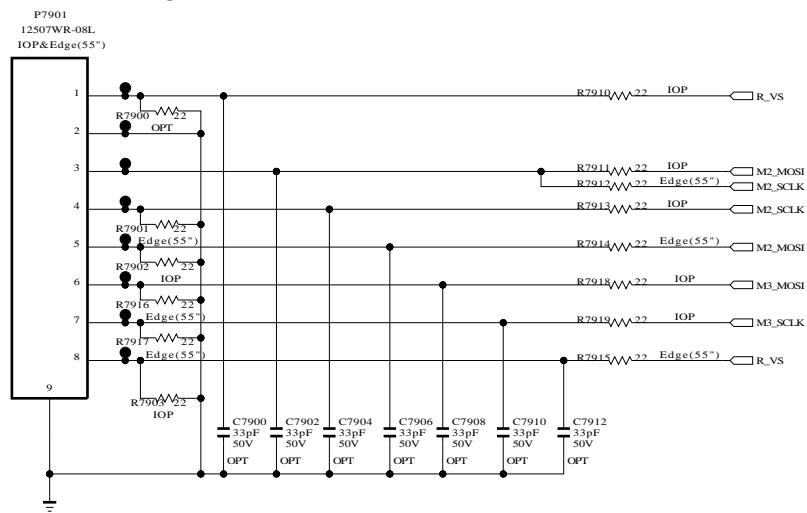
LG ELECTRONICS

MODEL	COMMON	DATE	09/10/xx
BLOCK	LG5111 60Hz LVDS	SHEET	78 / 100

[To MASTER LED DRIVER]



[To SLAVE LED DRIVER]



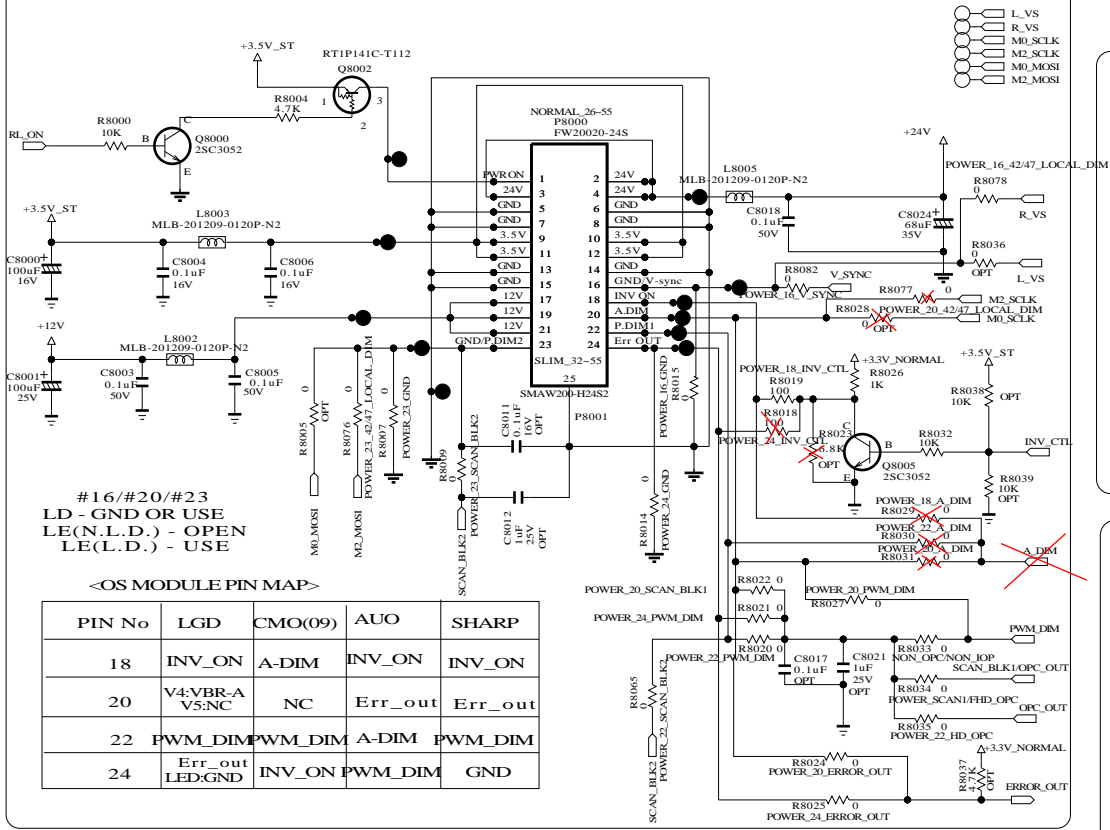
THE SYMBOL MARK OF THIS SCHEMATIC DIAGRAM INCORPORATES SPECIAL FEATURES IMPORTANT FOR PROTECTION FROM X-RADIATION. FILRE AND ELECTRICAL SHOCK HAZARDS, WHEN SERVICING IF IS ESSENTIAL THAT ONLY MANUFACTURES SPECIFIED PARTS BE USED FOR THE CRITICAL COMPONENTS IN THE SYMBOL MARK OF THE SCHEMATIC.

SECRET  
LGElectronics

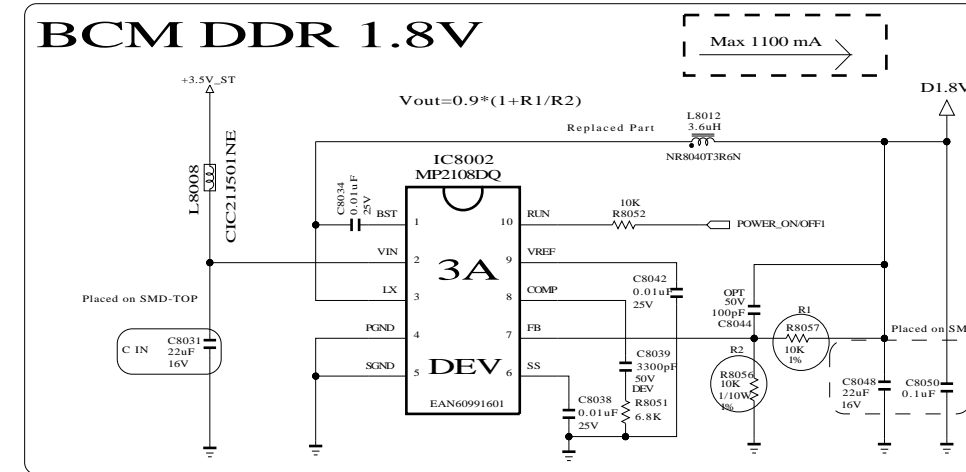
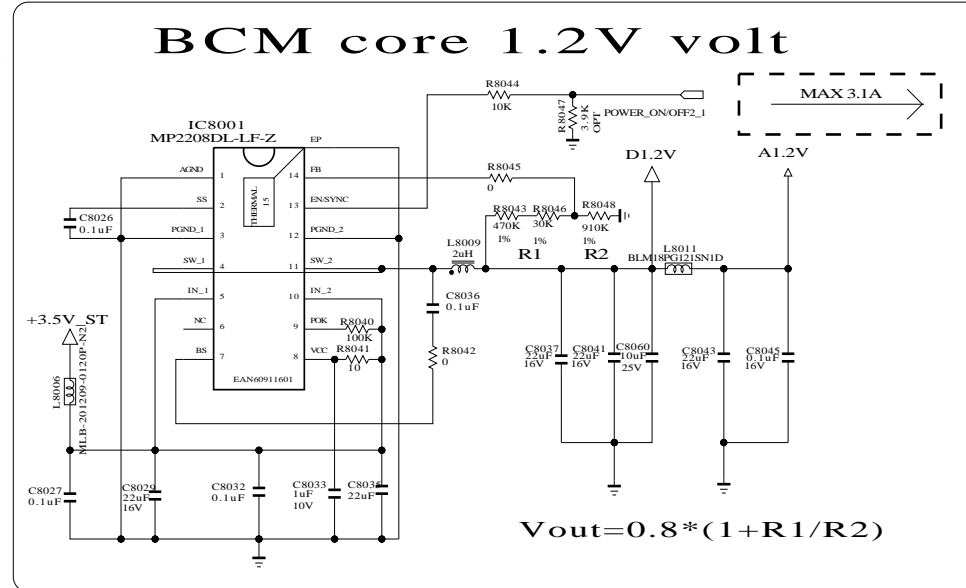
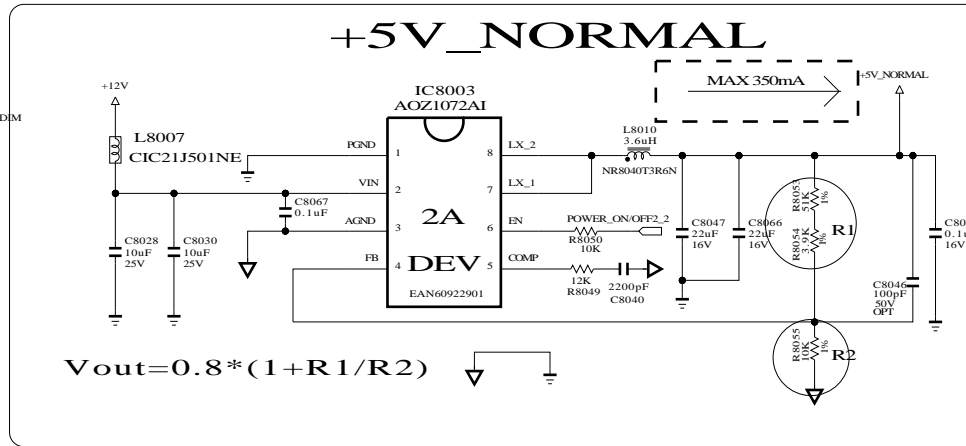
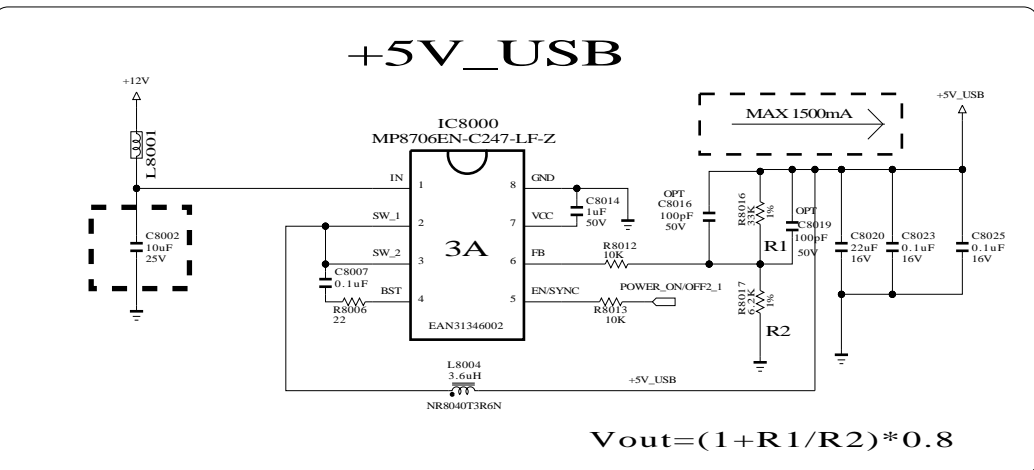
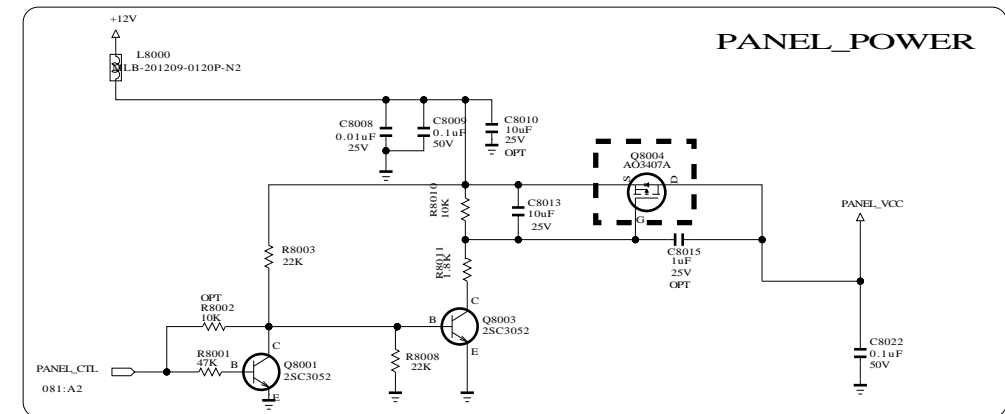


MODEL	GP2_Saturn7M	DATE	Ver. 1.0
BLOCK	Interface for LG511	SHEET	72 /

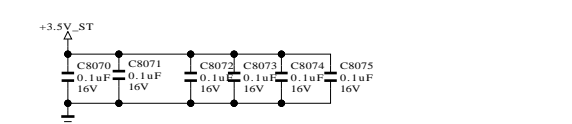
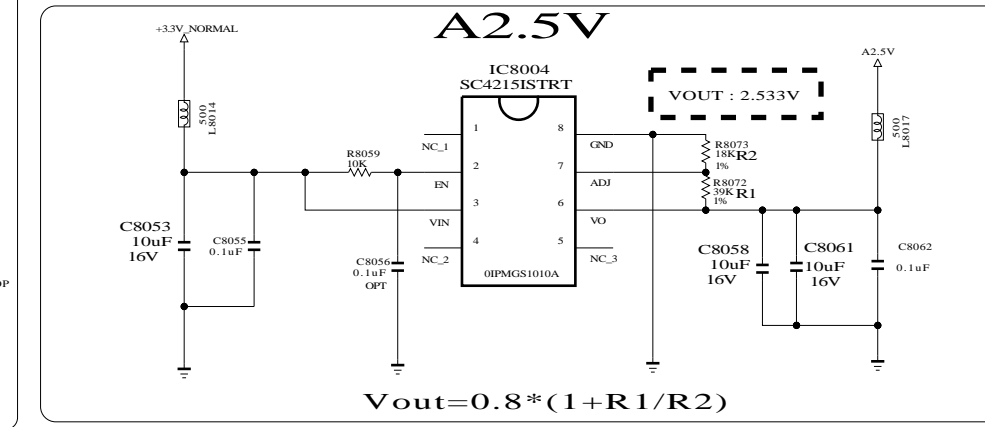
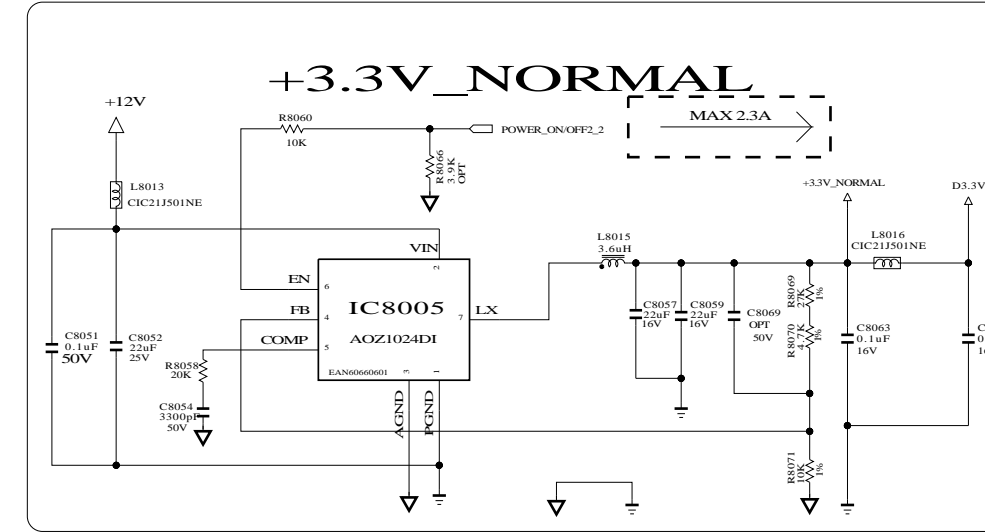
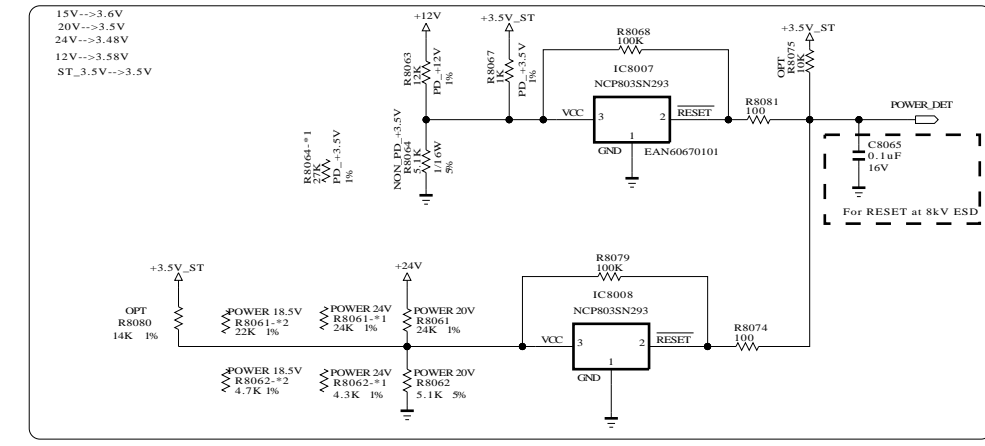
# FROM LIPS & POWER B/D



CHECK PWR/MODULE PIN MAP



# Power\_DET

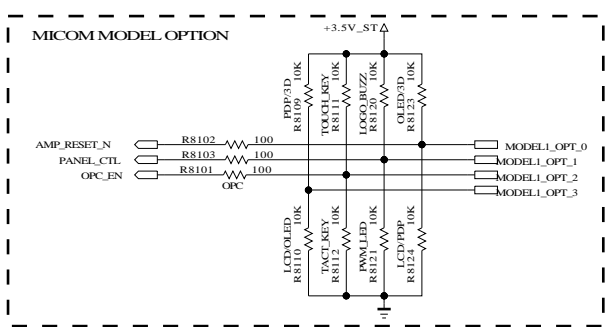
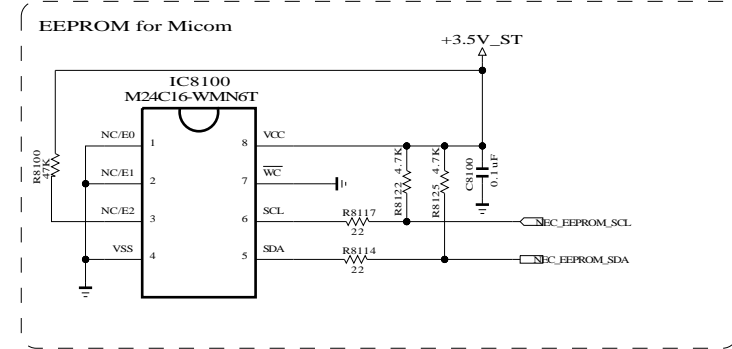
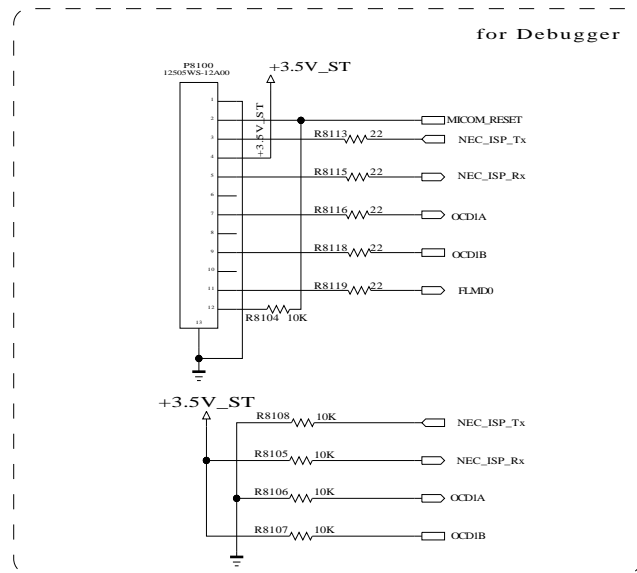
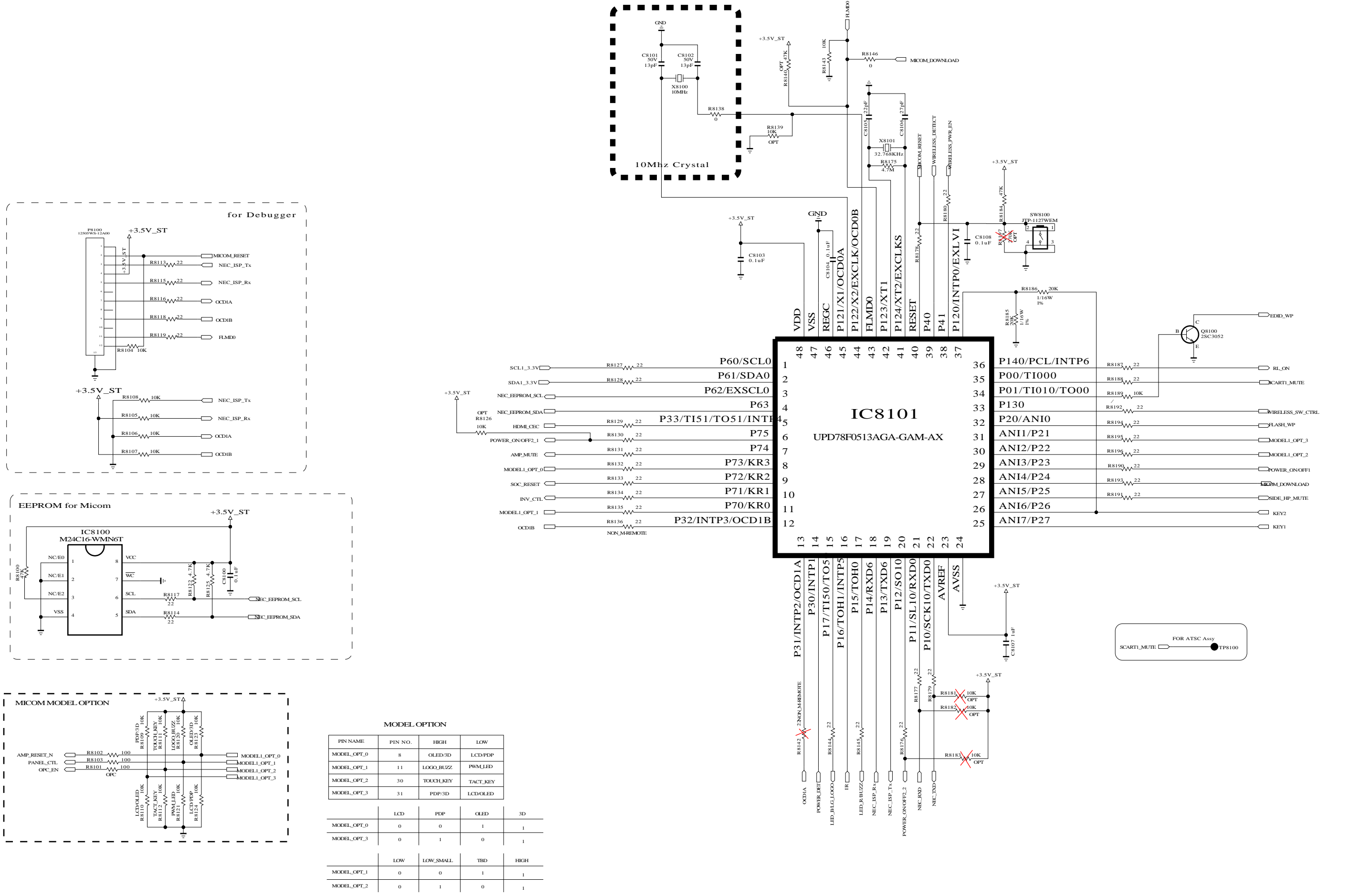


THE SYMBOL MARK OF THIS SCHEMATIC DIAGRAM INCORPORATES SPECIAL FEATURES IMPORTANT FOR PROTECTION FROM X-RADIATION. FILRE AND ELECTRICAL SHOCK HAZARDS, WHEN SERVICING IF IS ESSENTIAL THAT ONLY MANUFACTURES SPECIFIED PARTS BE USED FOR THE CRITICAL COMPONENTS IN THE SYMBOL MARK OF THE SCHEMATIC.

SECRET  
LGElectronics



MODEL	COMMON	DATE	09/10/xx
BLOCK	POWER	SHEET	80 / 100



**MODEL OPTION**

PIN NAME	PIN NO.	HIGH	LOW
MODEL_OPT_0	8	OLED/3D	LCD/PDP
MODEL_OPT_1	11	LOGO_BUZZ	PWM_LED
MODEL_OPT_2	30	TOUCH_KEY	TACT_KEY
MODEL_OPT_3	31	PDP/3D	LCD/OLED

	LCD	PDP	OLED	3D
MODEL_OPT_0	0	0	1	1
MODEL_OPT_3	0	1	0	1

	LOW	LOW_SMALL	TBD	HIGH
MODEL_OPT_1	0	0	1	1
MODEL_OPT_2	0	1	0	1

THE SYMBOL MARK OF THIS SCHEMATIC DIAGRAM INCORPORATES SPECIAL FEATURES IMPORTANT FOR PROTECTION FROM X-RADIATION. FILRE AND ELECTRICAL SHOCK HAZARDS, WHEN SERVICING IF IS ESSENTIAL THAT ONLY MANUFACTURES SPECIFIED PARTS BE USED FOR THE CRITICAL COMPONENTS IN THE SYMBOL MARK OF THE SCHEMATIC.

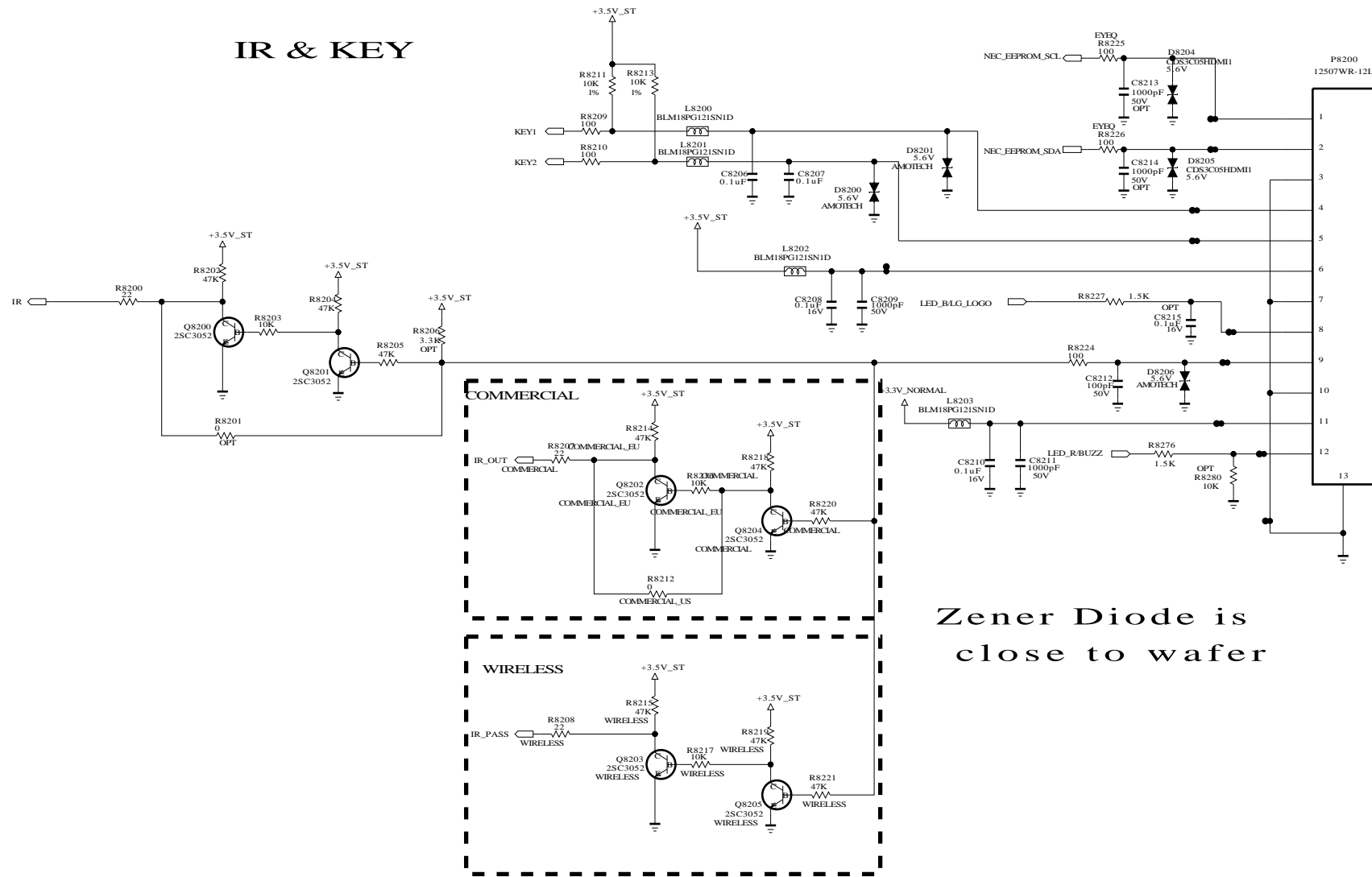
**SECRET**  
LGElectronics

**LG ELECTRONICS**

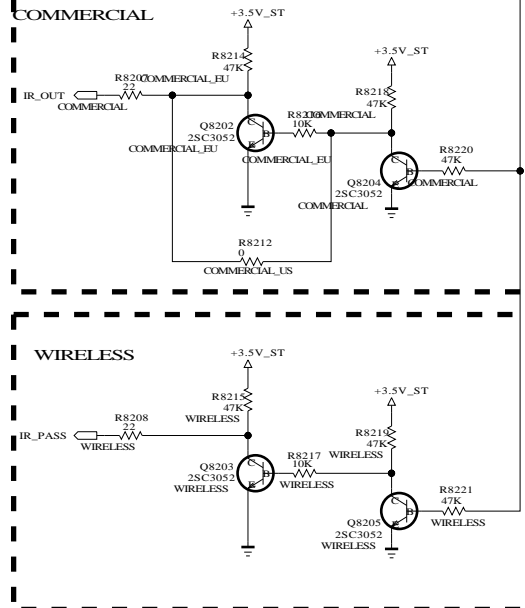
MODEL	GP2_Saturn7M	DATE	Ver. 1.4
BLOCK	MICOM	SHEET	5 /



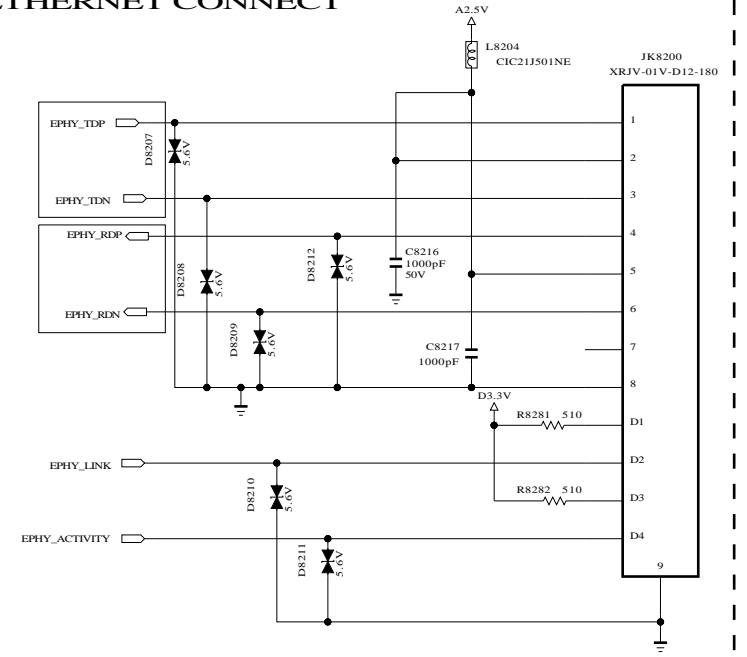
# IR & KEY



Zener Diode is close to wafer

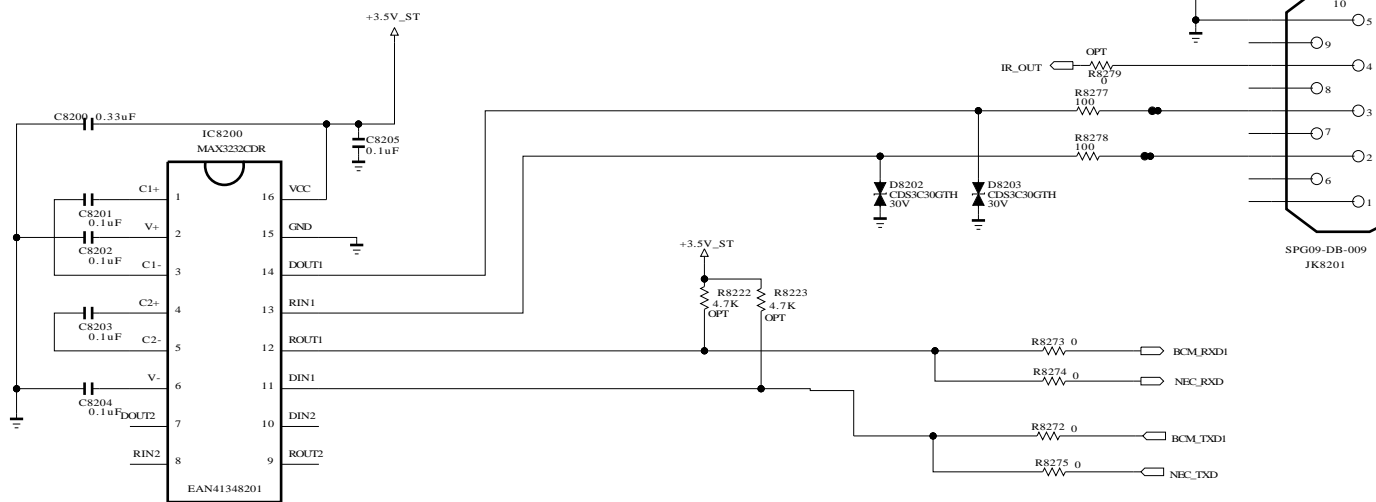


# ETHERNET CONNECT



Trace impedance : 100 ohm differential impedance to GND plane | 5 mils trace width with 7 mils air gap on P/N pair. | Adjacent TX/RX differential pairs should be separated by more than 15 mils to each other

# RS232C

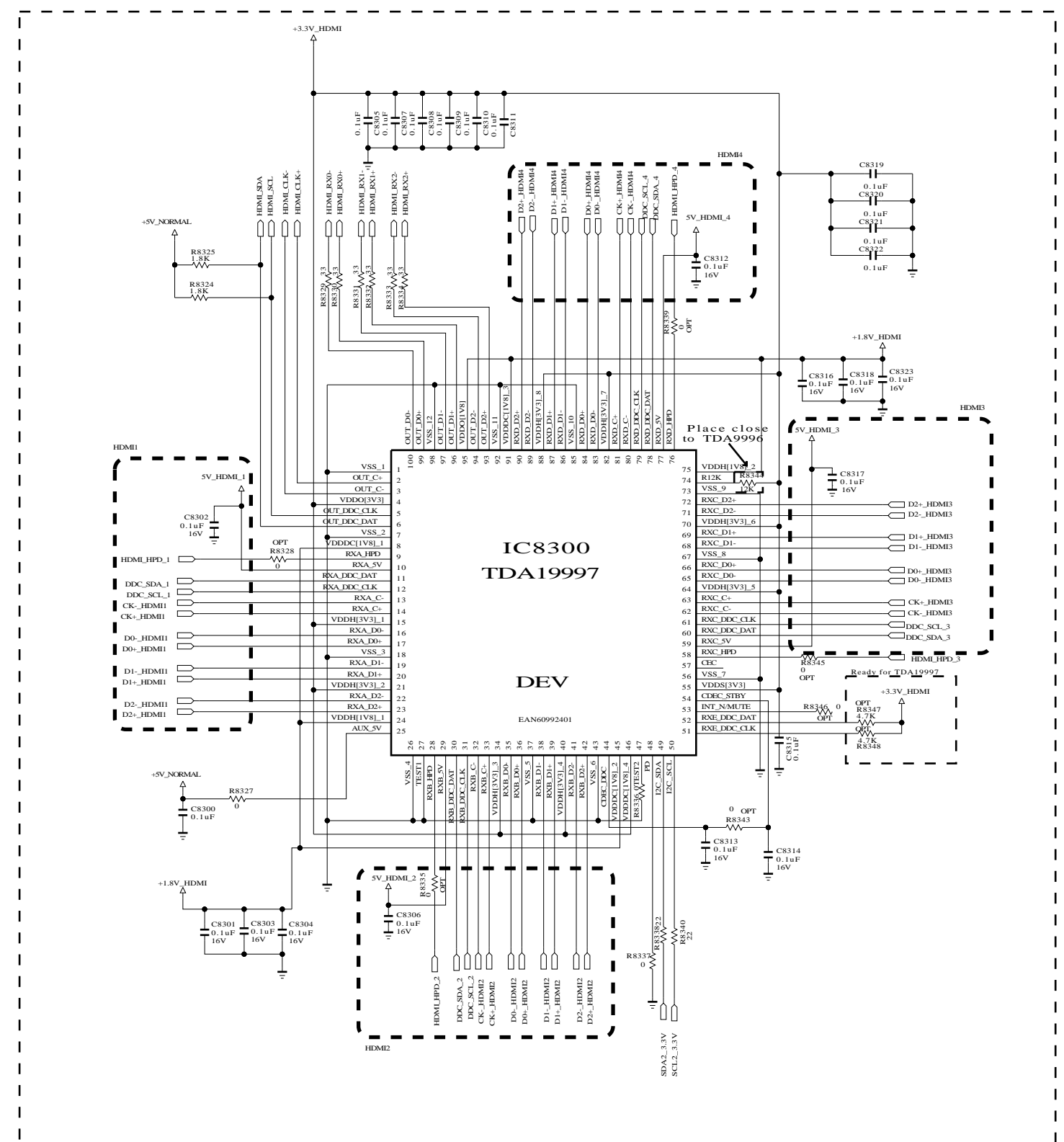
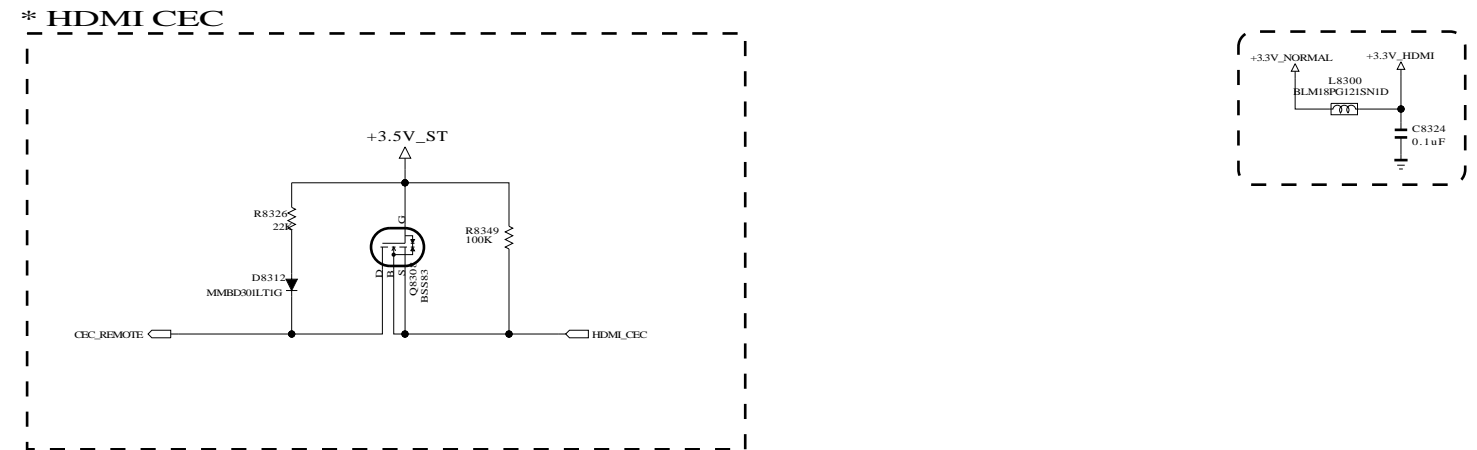
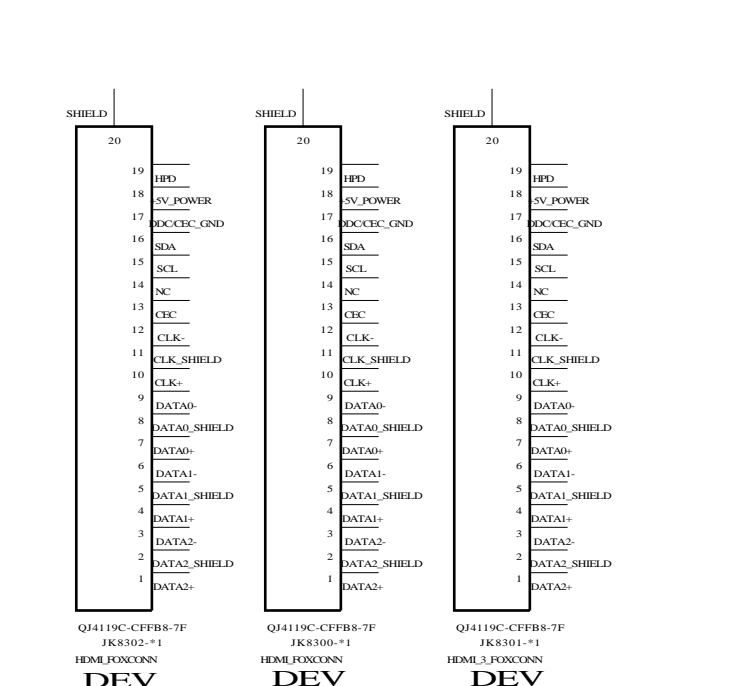
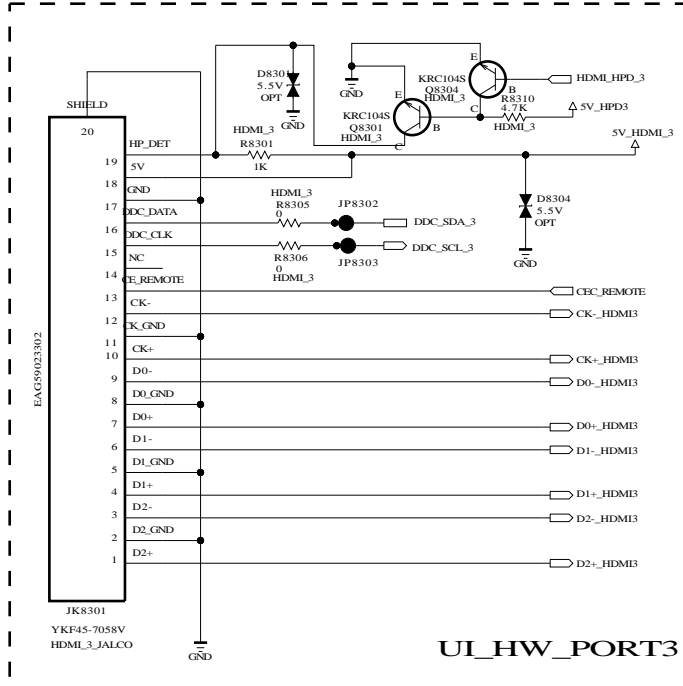
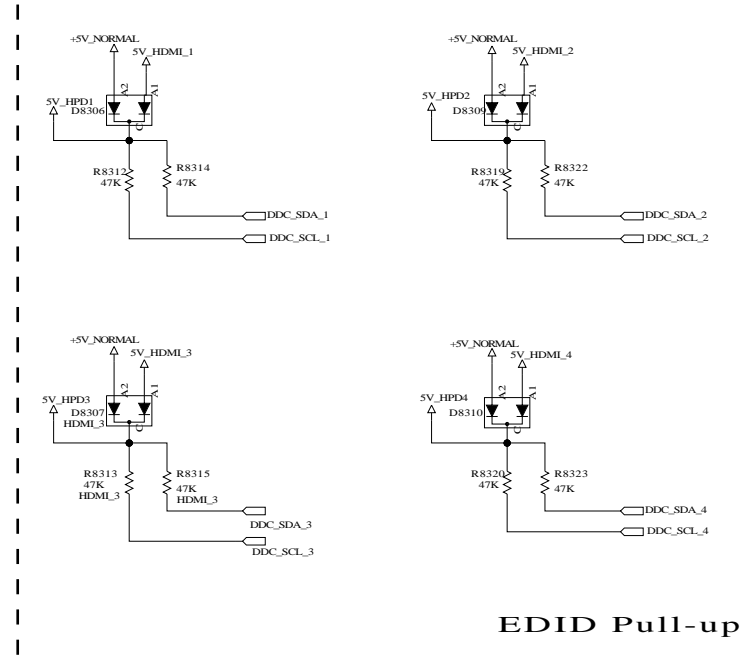
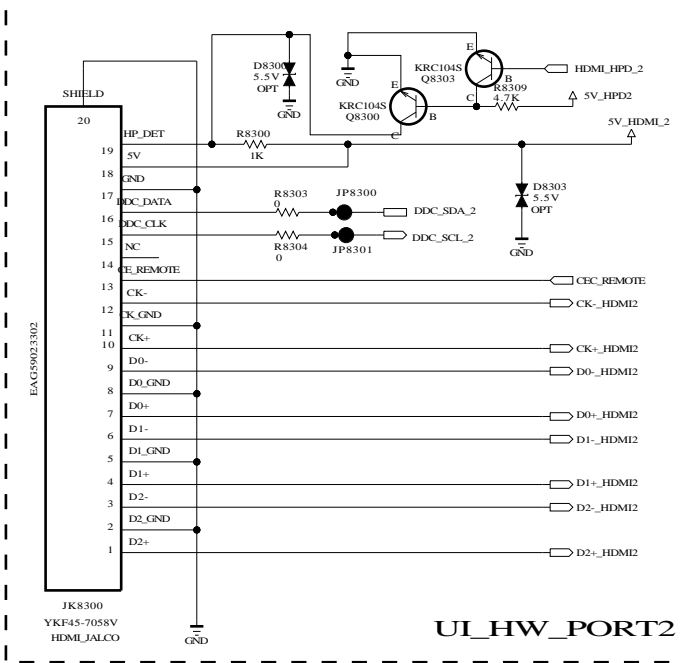
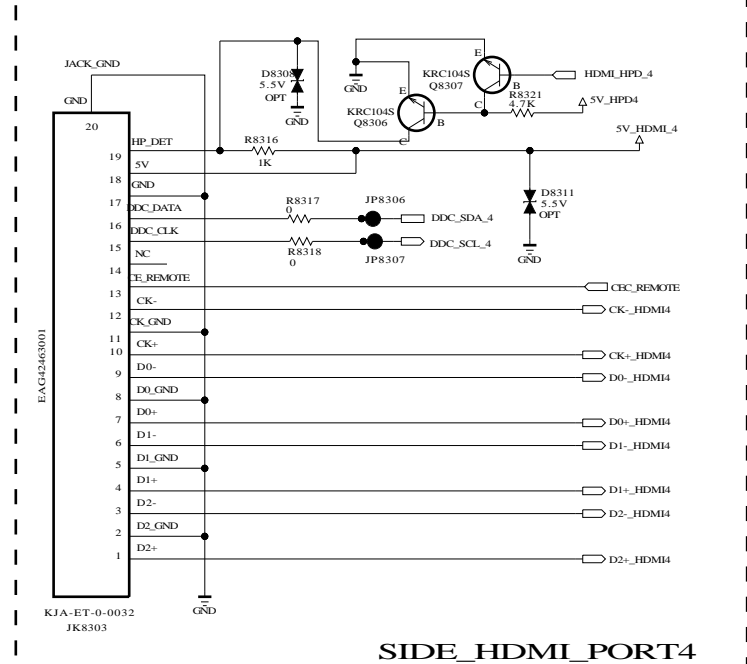
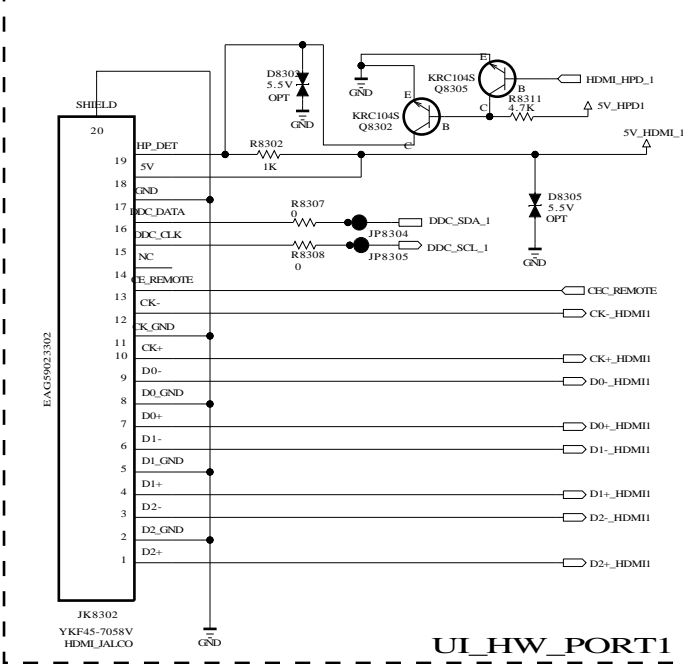


THE SYMBOL MARK OF THIS SCHEMATIC DIAGRAM INCORPORATES SPECIAL FEATURES IMPORTANT FOR PROTECTION FROM X-RADIATION. FILRE AND ELECTRICAL SHOCK HAZARDS, WHEN SERVICING IF IS ESSENTIAL THAT ONLY MANUFACTURES SPECIFIED PARTS BE USED FOR THE CRITICAL COMPONENTS IN THE SYMBOL MARK OF THE SCHEMATIC.

SECRET  
LGElectronics



MODEL		DATE	
BLOCK		SHEET	/



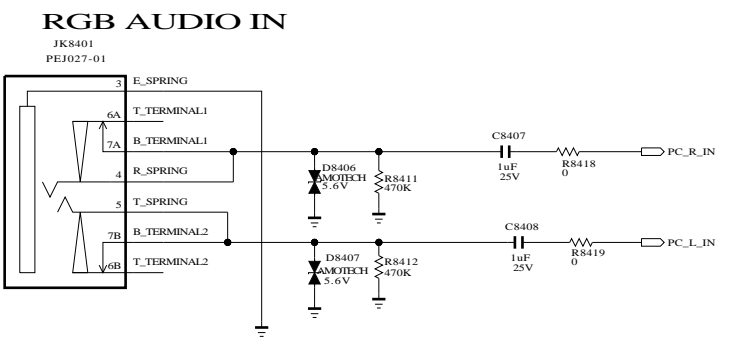
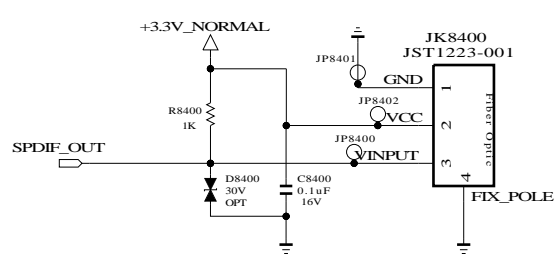
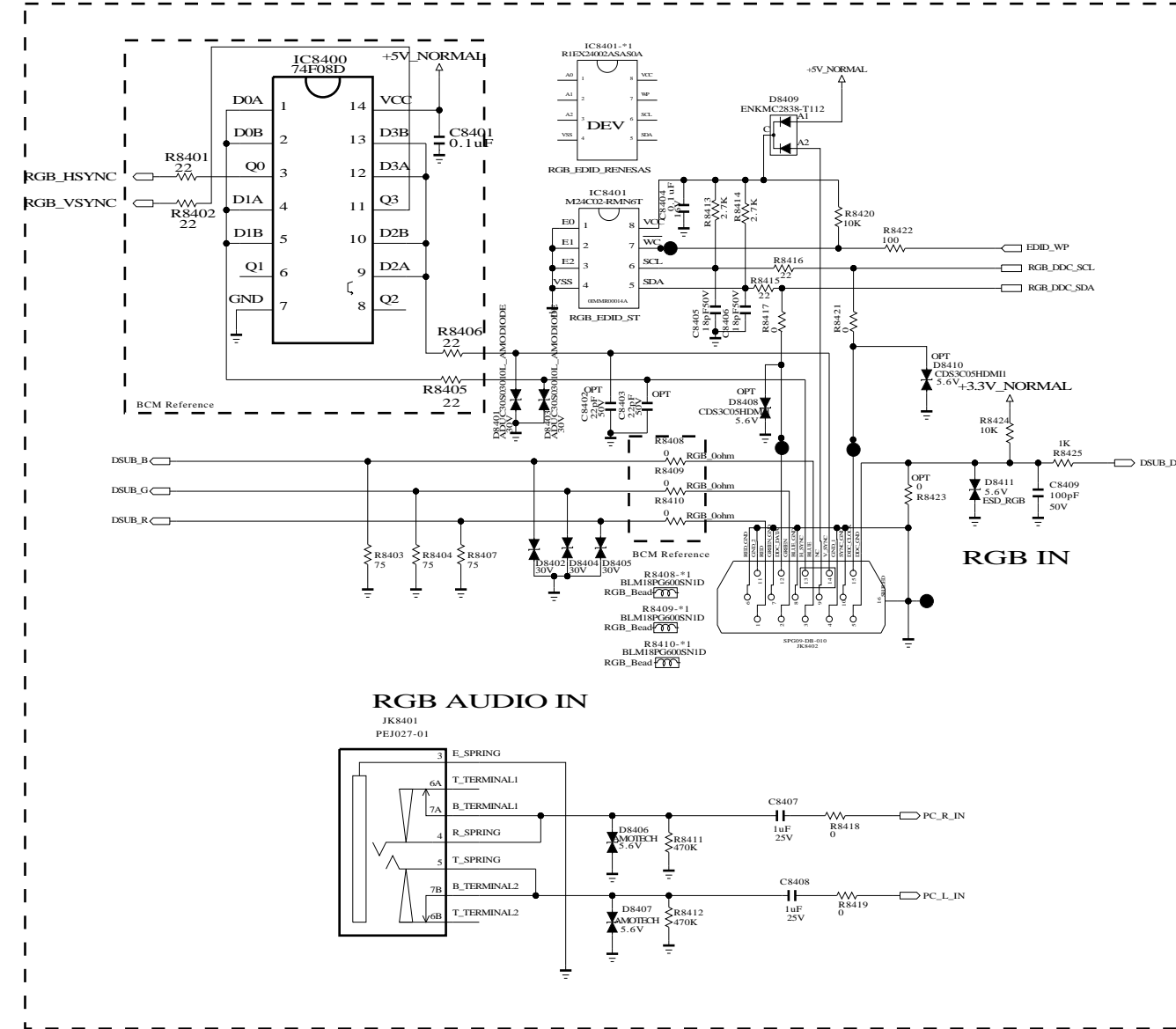
THE SYMBOL MARK OF THIS SCHEMATIC DIAGRAM INCORPORATES SPECIAL FEATURES IMPORTANT FOR PROTECTION FROM X-RADIATION. FILRE AND ELECTRICAL SHOCK HAZARDS, WHEN SERVICING IF IS ESSENTIAL THAT ONLY MANUFACTURES SPECIFIED PARTS BE USED FOR THE CRITICAL COMPONENTS IN THE SYMBOL MARK OF THE SCHEMATIC.

**SECRET**  
LGElectronics

**LG ELECTRONICS**

<b>MODEL</b>	COMMON	<b>DATE</b>	09/10/xx
<b>BLOCK</b>	HDMI	<b>SHEET</b>	83 / 100

# RGB PC



THE SYMBOL MARK OF THIS SCHEMATIC DIAGRAM INCORPORATES SPECIAL FEATURES IMPORTANT FOR PROTECTION FROM X-RADIATION. FILRE AND ELECTRICAL SHOCK HAZARDS, WHEN SERVICING IF IS ESSENTIAL THAT ONLY MANUFACTURES SPECIFIED PARTS BE USED FOR THE CRITICAL COMPONENTS IN THE SYMBOL MARK OF THE SCHEMATIC.

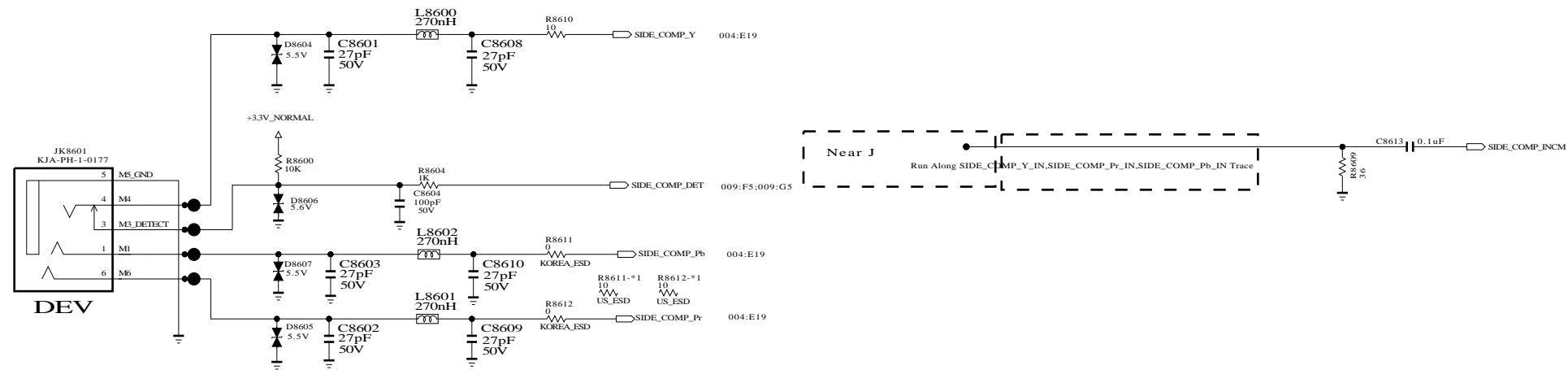
SECRET  
LGElectronics



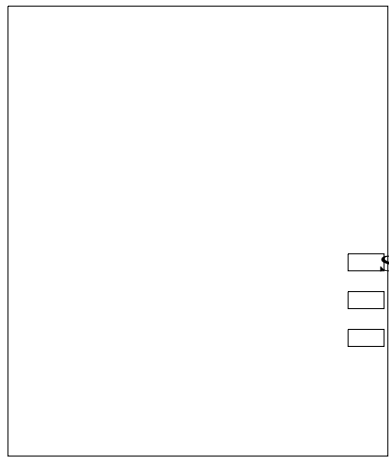
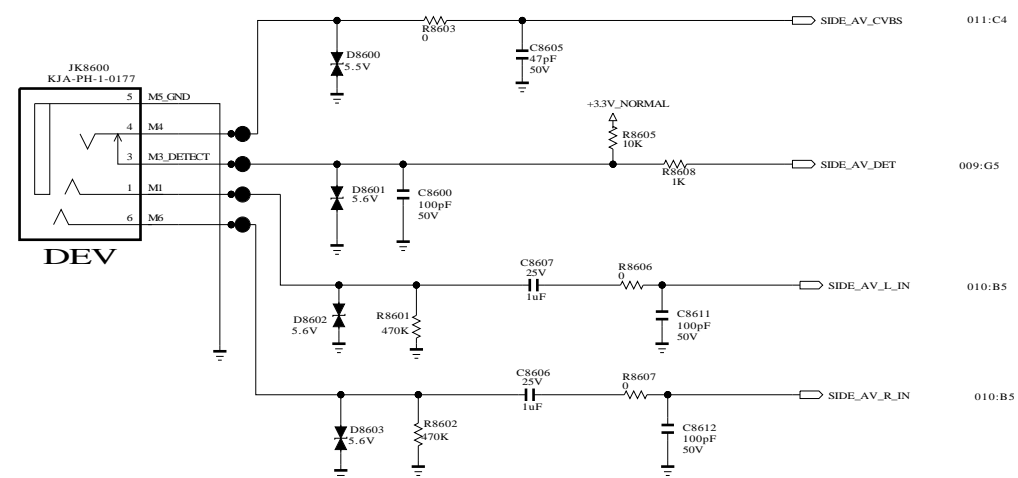
MODEL	COMMON	DATE	09/10/xx
BLOCK	RGB/SPDIF	SHEET	84 / 100

# SIDE\_GENDER

## SIDE COMPONENT PHONE JACK



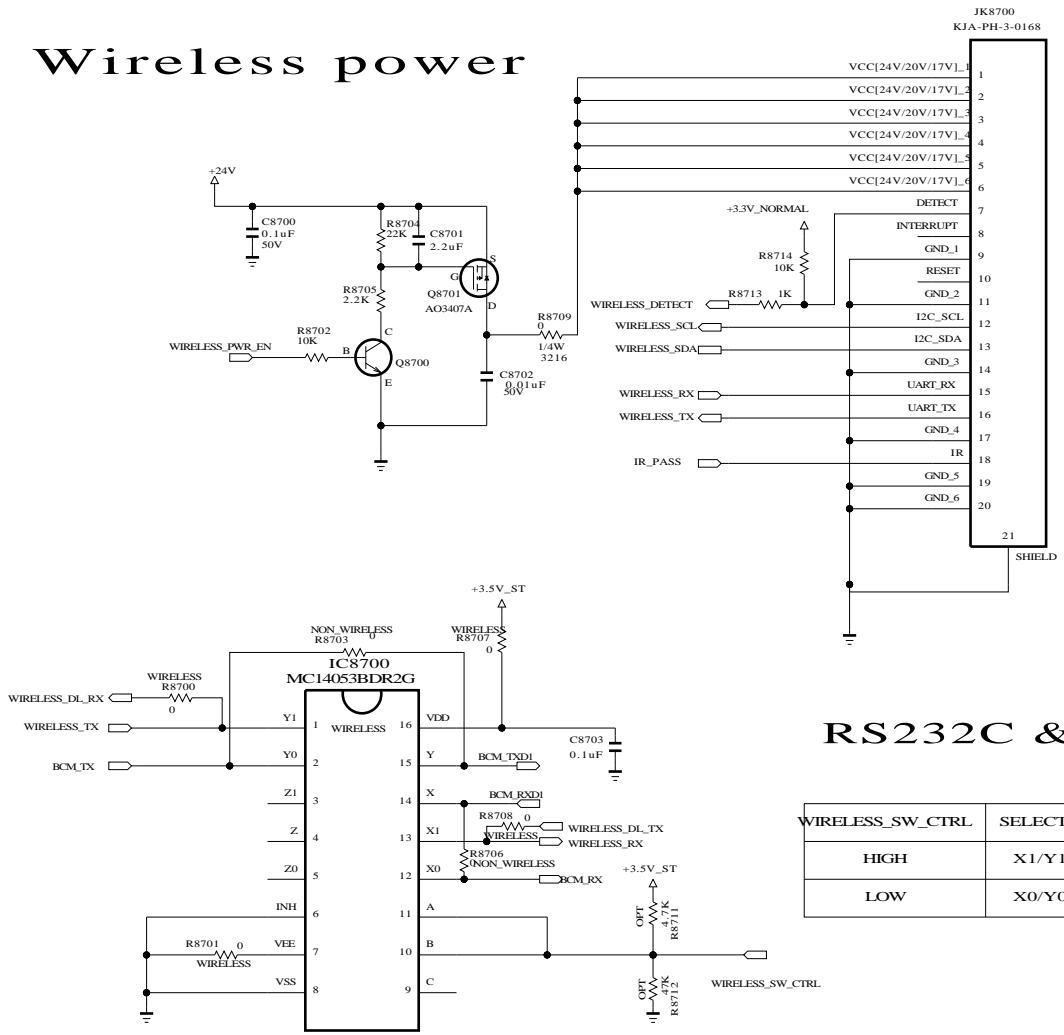
## SIDE CVBS PHONE JACK



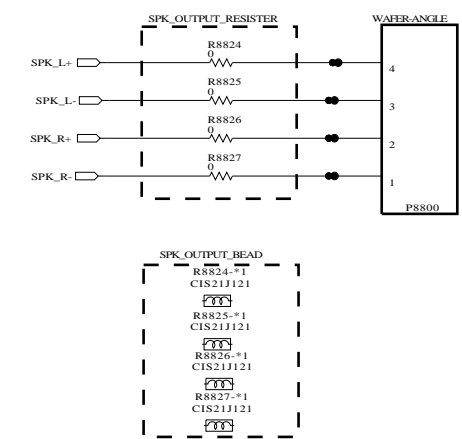
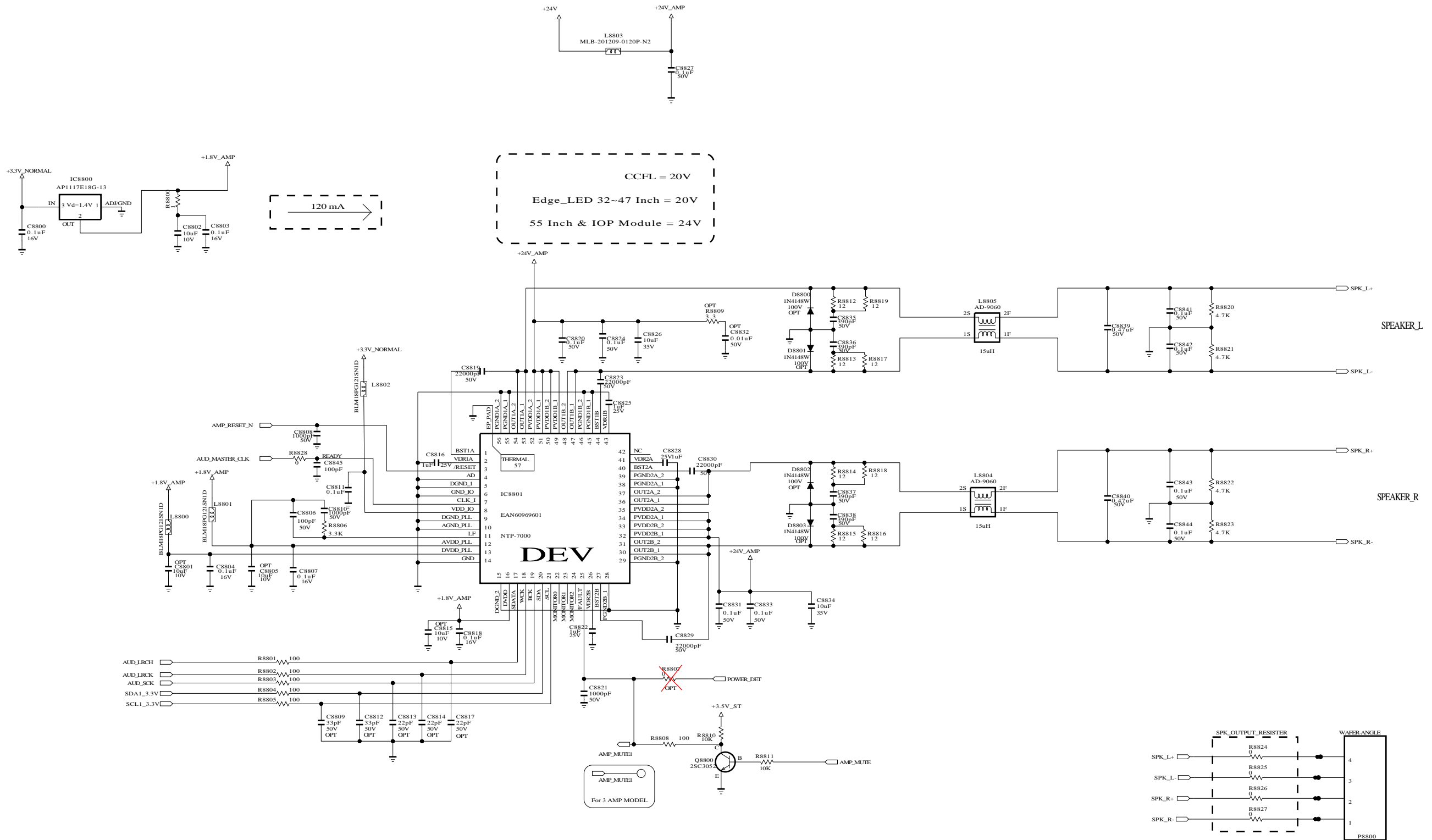
- SIDE\_COMPONENT\_PHONE\_JACK
- SIDE\_CVBS\_PHONE\_JACK
- SIDE\_HEAD\_PHONE\_JACK

THE SYMBOL MARK OF THIS SCHEMATIC DIAGRAM INCORPORATES SPECIAL FEATURES IMPORTANT FOR PROTECTION FROM X-RADIATION. FILRE AND ELECTRICAL SHOCK HAZARDS, WHEN SERVICING IF IS ESSENTIAL THAT ONLY MANUFACTURES SPECIFIED PARTS BE USED FOR THE CRITICAL COMPONENTS IN THE SYMBOL MARK OF THE SCHEMATIC.

Wireless power



THE SYMBOL MARK OF THIS SCHEMATIC DIAGRAM INCORPORATES SPECIAL FEATURES IMPORTANT FOR PROTECTION FROM X-RADIATION. FILRE AND ELECTRICAL SHOCK HAZARDS, WHEN SERVICING IF IS ESSENTIAL THAT ONLY MANUFATURES SPECIFIED PARTS BE USED FOR THE CRITICAL COMPONENTS IN THE SYMBOL MARK OF THE SCHEMATIC.

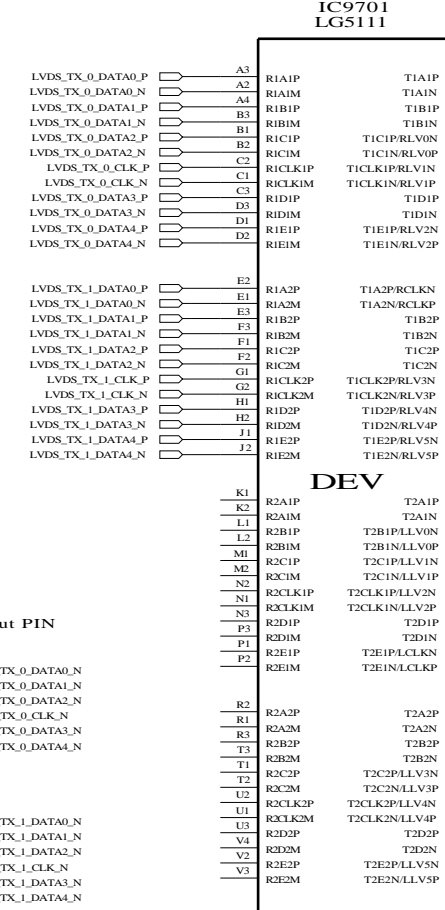


THE SYMBOL MARK OF THIS SCHEMATIC DIAGRAM INCORPORATES SPECIAL FEATURES IMPORTANT FOR PROTECTION FROM X-RADIATION. FILRE AND ELECTRICAL SHOCK HAZARDS, WHEN SERVICING IF IS ESSENTIAL THAT ONLY MANUFACTURES SPECIFIED PARTS BE USED FOR THE CRITICAL COMPONENTS IN THE SYMBOL MARK OF THE SCHEMATIC.

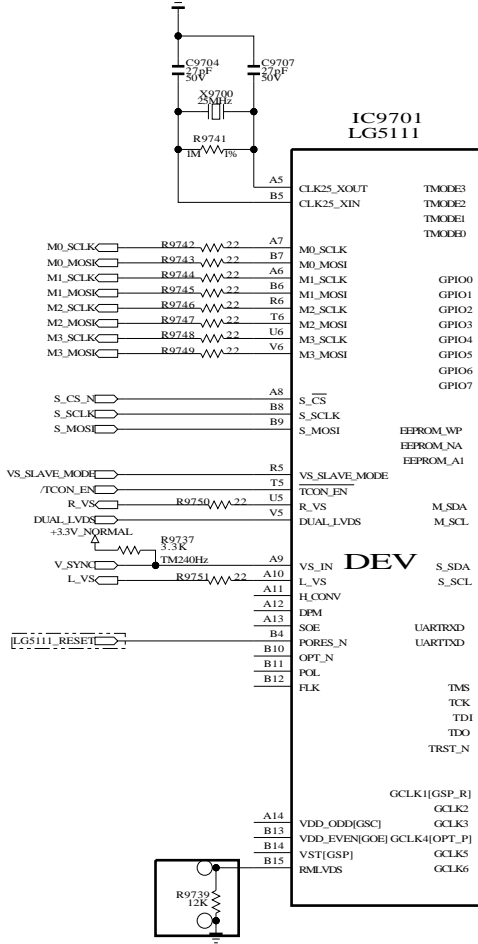
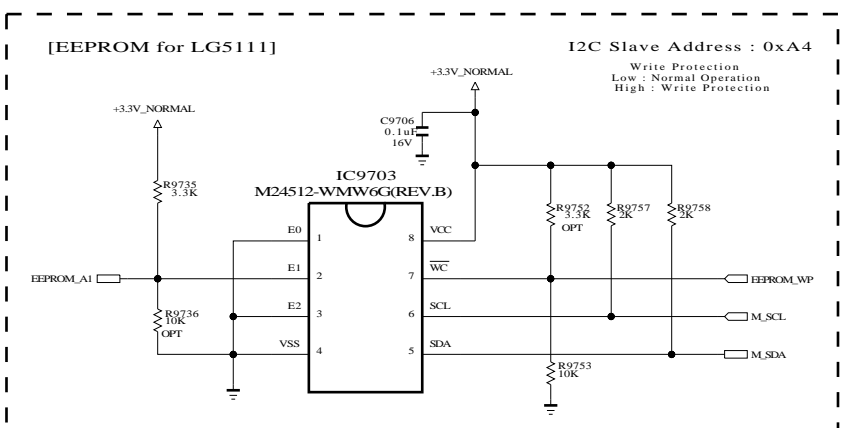
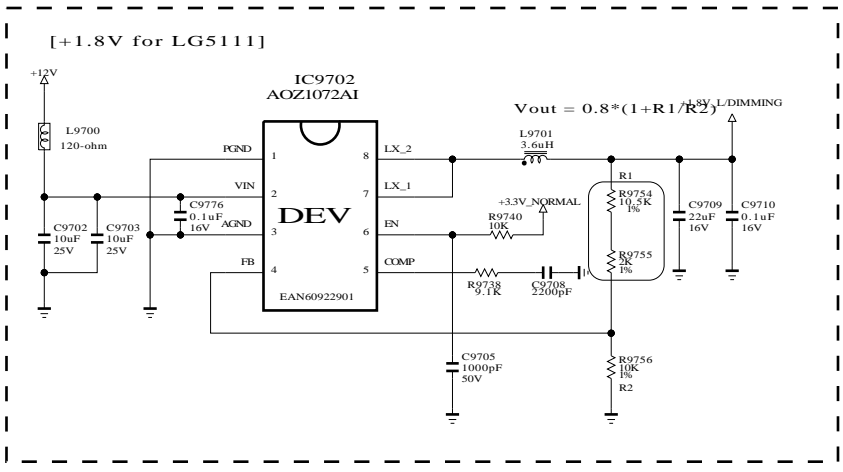
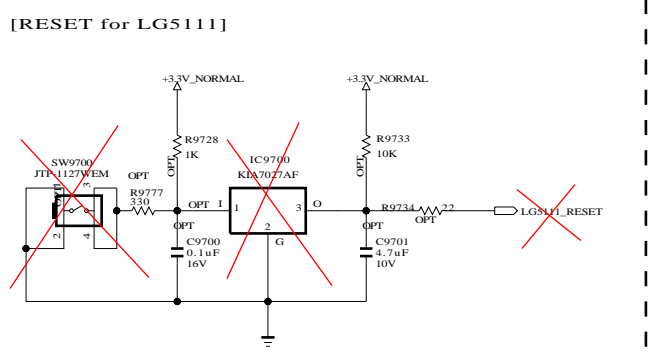
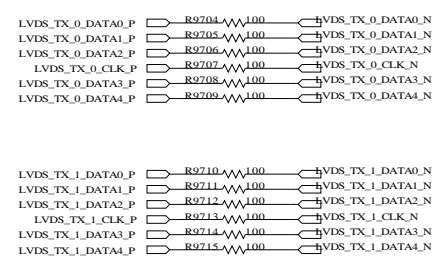
SECRET  
LGElectronics



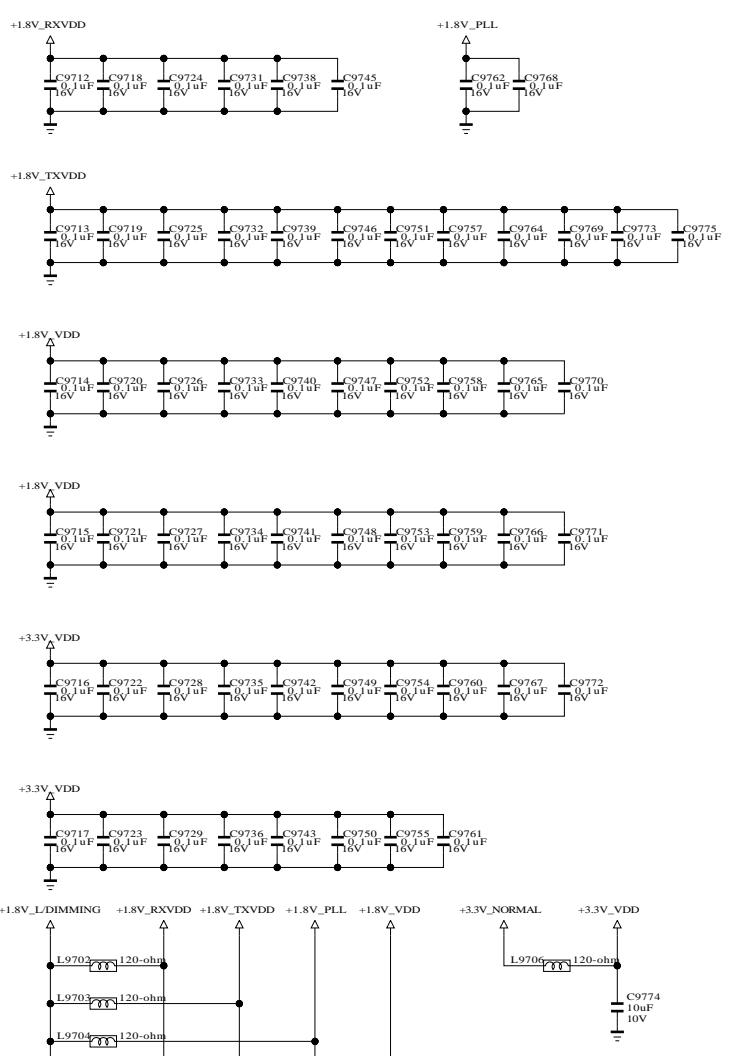
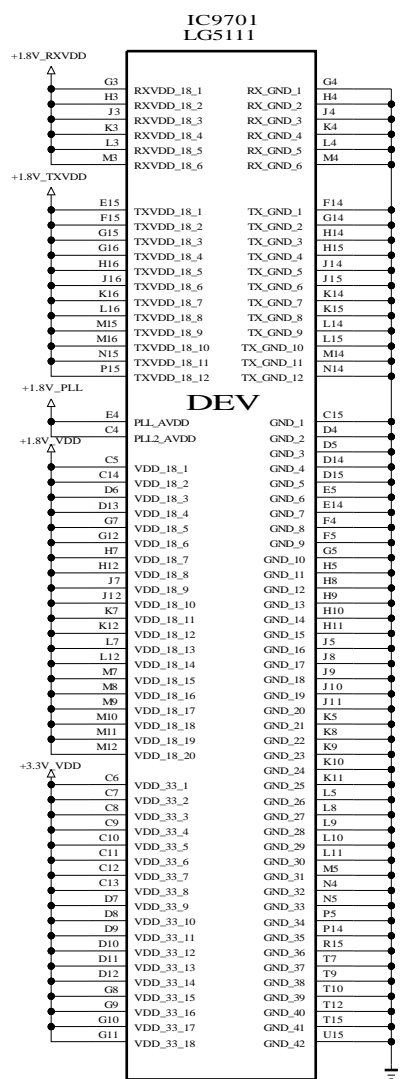
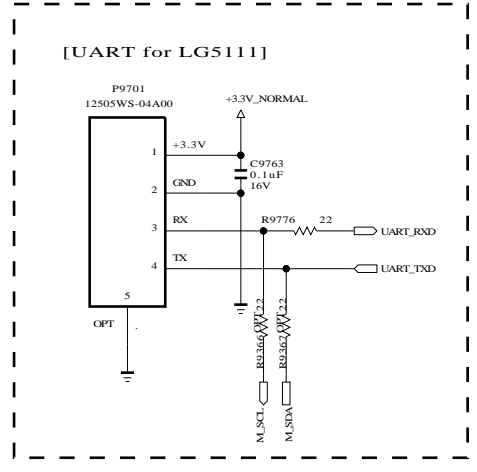
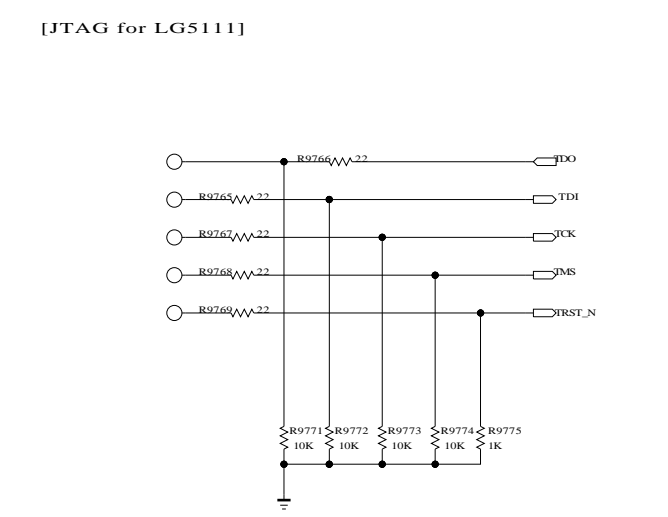
MODEL	COMMON	DATE	09/10/xx
BLOCK	NTP7000	SHEET	88 / 100



Close to LG5111 LVDS Input PIN



- [Mini-LVDS Signal Strength]
- 1. Adjust Mini-LVDS Tx voltage swing level (swing level can be affected by FFC cable)
- 2. Add resistor and make option for each model



THE SYMBOL MARK OF THIS SCHEMATIC DIAGRAM INCORPORATES SPECIAL FEATURES IMPORTANT FOR PROTECTION FROM X-RADIATION. FILRE AND ELECTRICAL SHOCK HAZARDS, WHEN SERVICING IF IS ESSENTIAL THAT ONLY MANUFACTURES SPECIFIED PARTS BE USED FOR THE CRITICAL COMPONENTS IN THE SYMBOL MARK OF THE SCHEMATIC.

SECRET  
LGElectronics



MODEL	COMMON_LD_400/480HZ	DATE	09/10/13
BLOCK	LG5111 (L.D.) from BCN	SHEET	97