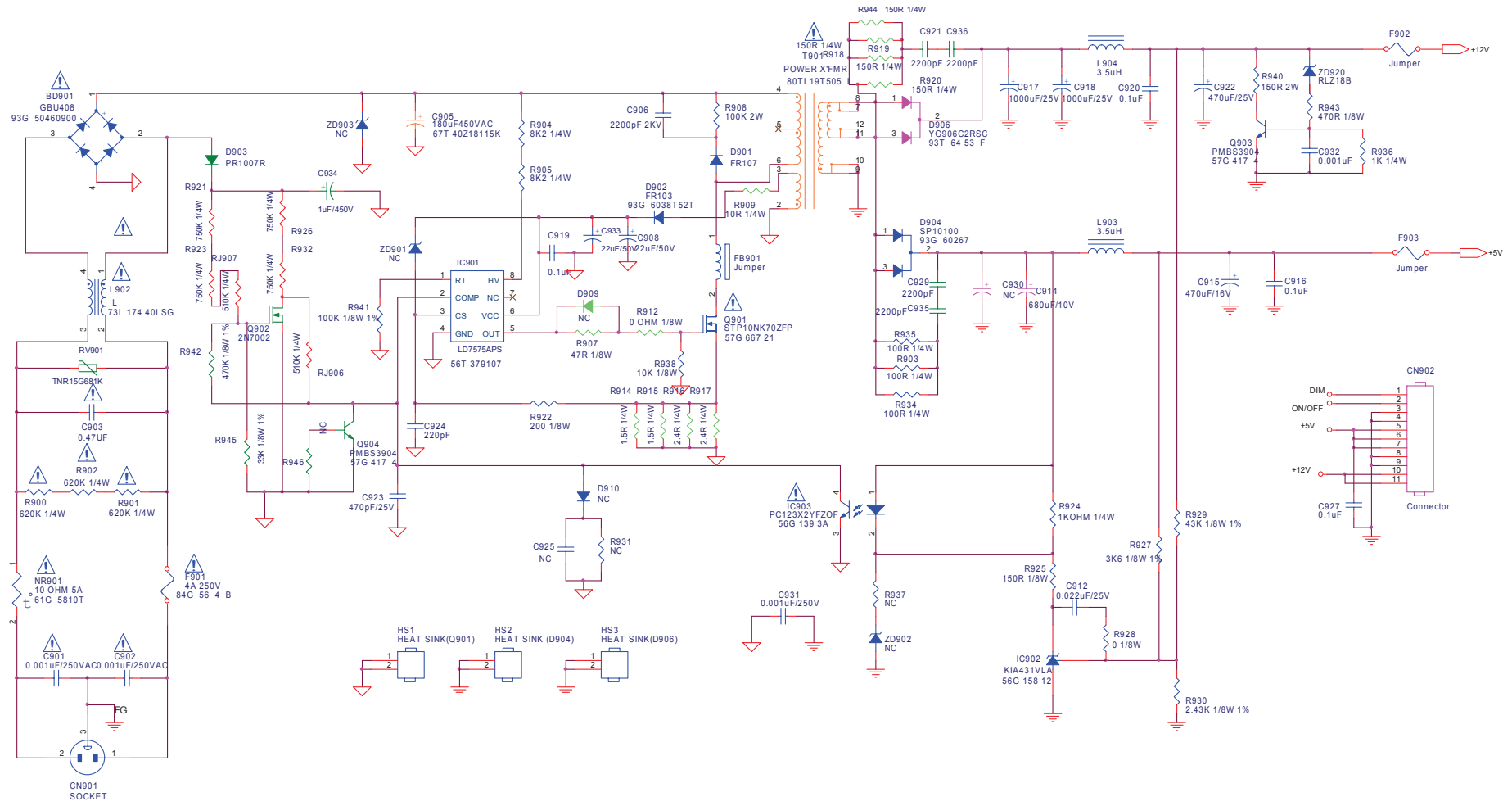
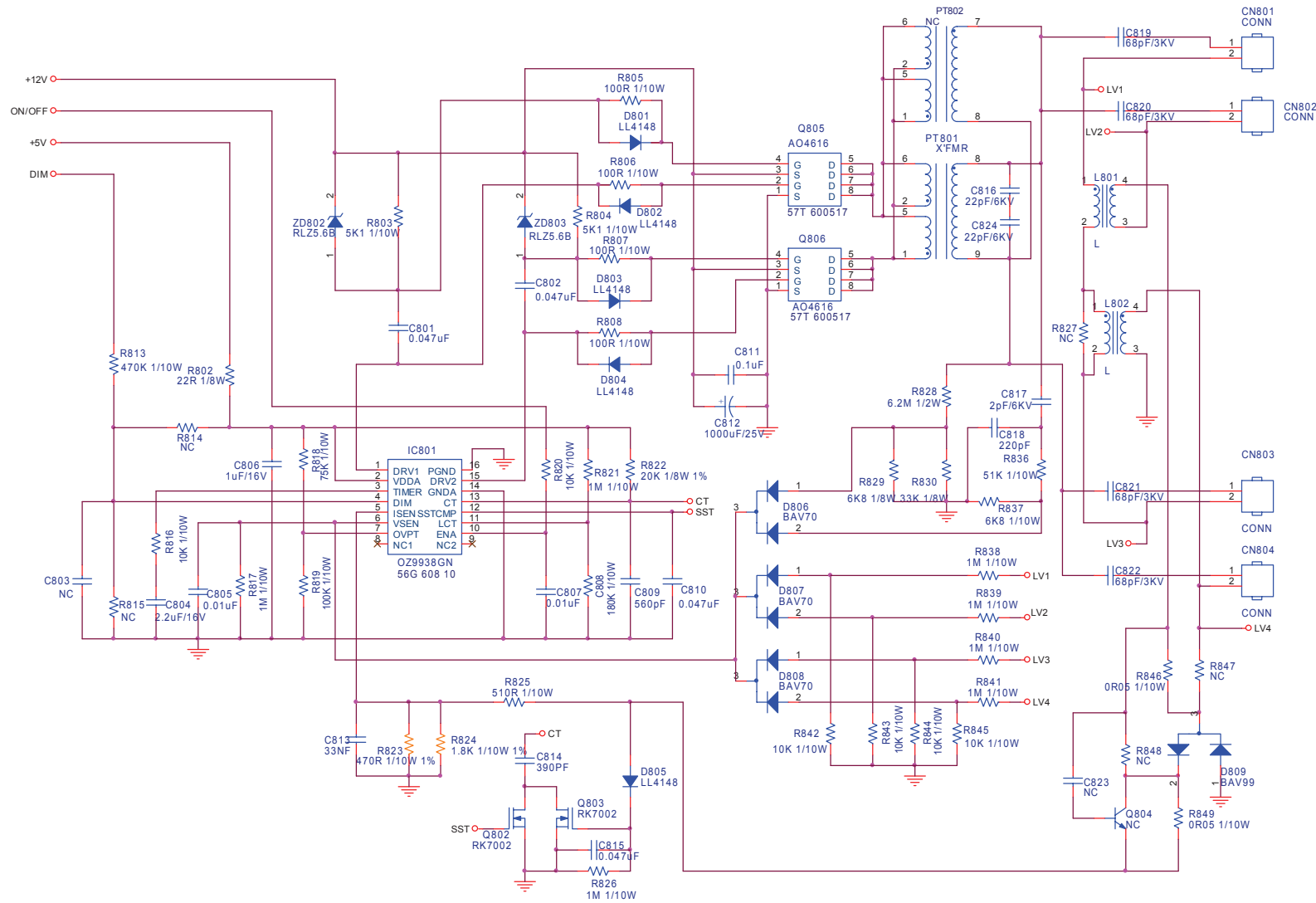


# POWER BOARD PARTS



T P V ( Top Victory Electronics Co . . Ltd . )	OEM MODEL	Size	Custom
話 術 元 部 販	TPV MODEL	Rev	D
Key Component	01.POWER	PCB NAME	715T2783
Date	Friday, June 13, 2008	Sheet	2 of 3



TPV (Top Victory Electronics Co., Ltd.)	OEM MODEL	Size	B
磊隔瓜銀版	TPV MODEL	Rev	D
Key Component	02.INVERTER	PCB NAME	715T2783
Date	Friday, June 13, 2008	Sheet	3 of 3