

Compal Confidential

KBYF0 Schematics Document

AMD Griffin Processor with RS780M+SB700

(With ATI MXM/B)

2009-01-22

REV: 0.3

ZZZ1



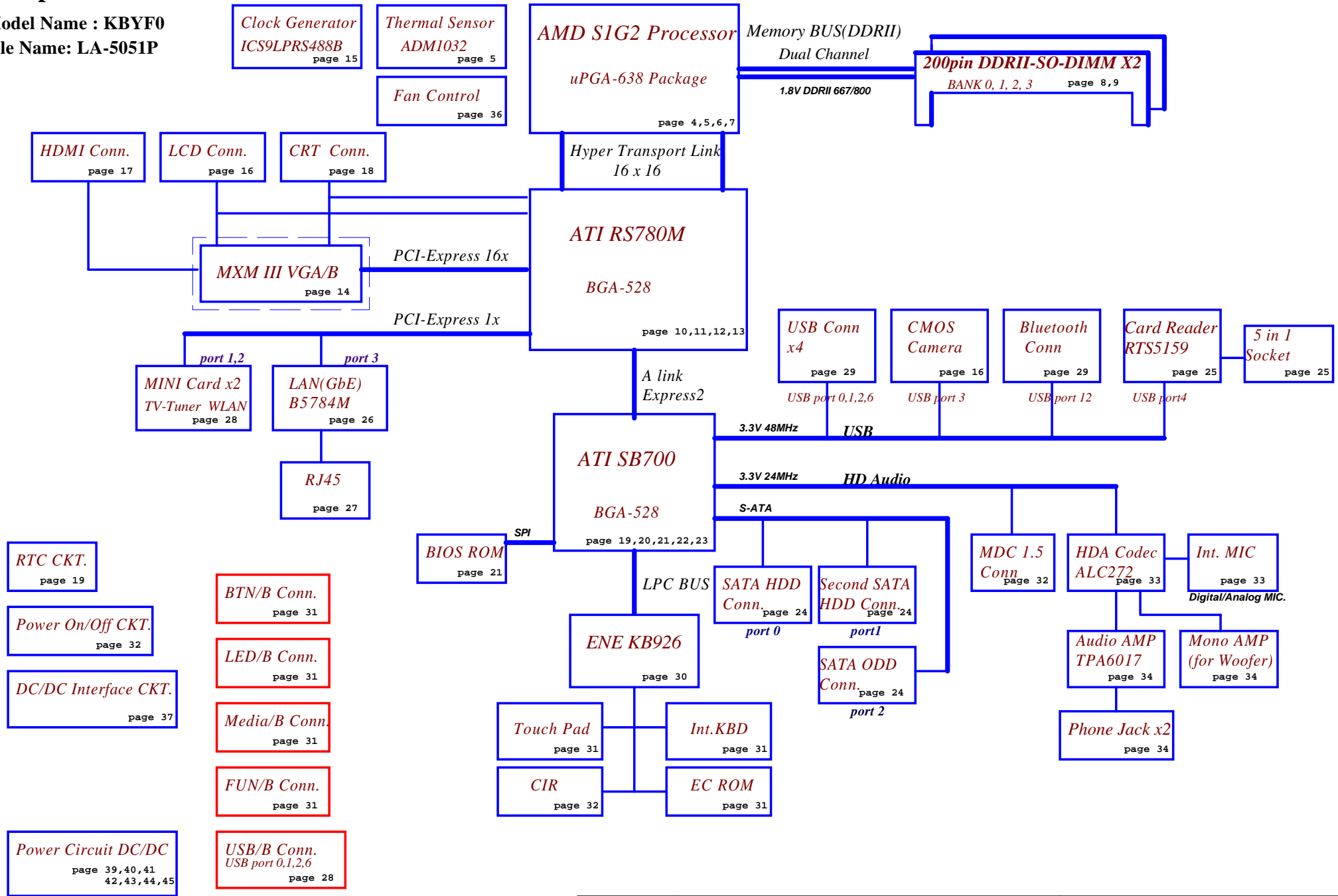
PCB

DA60000B600-*

Security Classification	Compal Secret Data			Compal Electronics, Inc.		
Issued Date	2008/11/03	Deciphered Date	2009/11/03	Title		
				Cover Page		
THIS SHEET OF ENGINEERING DRAWING IS THE PROPRIETARY PROPERTY OF COMPAL ELECTRONICS, INC. AND CONTAINS CONFIDENTIAL AND TRADE SECRET INFORMATION. THIS SHEET MAY NOT BE TRANSFERRED FROM THE CUSTODY OF THE COMPETENT DIVISION OF R&D DEPARTMENT EXCEPT AS AUTHORIZED BY COMPAL ELECTRONICS, INC. NEITHER THIS SHEET NOR THE INFORMATION IT CONTAINS MAY BE USED BY OR DISCLOSED TO ANY THIRD PARTY WITHOUT PRIOR WRITTEN CONSENT OF COMPAL ELECTRONICS, INC.				Size	Document Number	Rev
				B	KBYF0 LA-5051P	0.3
				Date:	Tuesday, February 03, 2009	Sheet 1 of 46

Compal Confidential

Model Name : KBYF0
File Name: LA-5051P



Security Classification		Compal Secret Data		Compal Electronics, Inc.	
Issued Date	2008/11/03	Deciphered Date	2009/11/03	Title	
THIS SHEET OF ENGINEERING DRAWING IS THE PROPRIETARY PROPERTY OF COMPAL ELECTRONICS, INC. AND CONTAINS CONFIDENTIAL AND TRADE SECRET INFORMATION. THIS SHEET MAY NOT BE TRANSFERRED FROM THE CUSTODY OF THE COMPETENT DIVISION OF R&D DEPARTMENT EXCEPT AS AUTHORIZED BY COMPAL ELECTRONICS, INC. NEITHER THIS SHEET NOR THE INFORMATION IT CONTAINS MAY BE USED BY OR DISCLOSED TO ANY THIRD PARTY WITHOUT PRIOR WRITTEN CONSENT OF COMPAL ELECTRONICS, INC.				Size B	Document Number
				KBKCO LA-5051P	Rev 0.3
				Date: Tuesday, February 03, 2009	Sheet 2 of 46

Voltage Rails

Power Plane	Description	S1	S3	S5
VIN	Adapter power supply (19V)	NA	NA	NA
B+	AC or battery power rail for power circuit.	NA	NA	NA
+CPU_CORE_0	Core voltage for CPU	ON	OFF	OFF
+CPU_CORE_1	Core voltage for CPU	ON	OFF	OFF
+CPU_CORE_NB	Core voltage for CPU	ON	OFF	OFF
+0.9V	0.9V switched power rail for DDR terminator	ON	ON	OFF
+1.1VS	1.05V switched power rail	ON	OFF	OFF
+1.2V_HT	1.25V switched power rail	ON	OFF	OFF
+NB_CORE	1.0V~1.1V switched power rail for NB VDDC	ON	OFF	OFF
+1.5VS	1.5V power rail for PCIE Card	ON	OFF	OFF
+1.8V	1.8V power rail for CPU VDDIO and DDR	ON	ON	OFF
+1.8VS	1.8V switched power rail	ON	OFF	OFF
+2.5VS	2.5V for CPU_VDDA and MXM/B	ON	OFF	OFF
+3VALW	3.3V always on power rail	ON	ON	ON*
+3V_LAN	3.3V power rail for LAN	ON	ON	ON
+3VS	3.3V switched power rail	ON	OFF	OFF
+5VALW	5V always on power rail	ON	ON	ON*
+5VS	5V switched power rail	ON	OFF	OFF
+VSB	VSB always on power rail	ON	ON	ON*
+RTCVCC	RTC power	ON	ON	ON

Note : ON* means that this power plane is ON only with AC power available, otherwise it is OFF.

External PCI Devices

Device	IDSEL#	REQ#/GNT#	Interrupts
No PCI device			

EC SM Bus1 address

Device	Address
Smart Battery	0001 011X b
EEPROM(24C16/02)	1010 000X b
MXM.GMT G781-1	1001 101X b

EC SM Bus2 address

Device	Address
ADI ADM1032	1001 100X b
CPUSB	1001 101X b

SB700 SM Bus 0 address

Device	Address
Clock Generator (ICS9LPRS365)	1101 001Xb
DDR DIMM0	1001 000Xb
DDR DIMM2	1001 010Xb
Minicard	
Minicard	

SB700 SM Bus 1 address

Device	Address
Lan	

STATE	SIGNAL	SLP_S1#	SLP_S3#	SLP_S4#	SLP_S5#	+VALW	+V	+VS	Clock
Full ON		HIGH	HIGH	HIGH	HIGH	ON	ON	ON	ON
S1(Power On Suspend)		LOW	HIGH	HIGH	HIGH	ON	ON	ON	LOW
S3 (Suspend to RAM)		LOW	LOW	HIGH	HIGH	ON	ON	OFF	OFF
S4 (Suspend to Disk)		LOW	LOW	LOW	HIGH	ON	OFF	OFF	OFF
S5 (Soft OFF)		LOW	LOW	LOW	LOW	ON	OFF	OFF	OFF

Board ID / SKU ID Table for AD channel

Vcc	3.3V +/- 5%			
Ra/Rc/Re	100K +/- 5%			
Board ID	Rb / Rd / Rf	VAD_BID min	VAD_BID typ	VAD_BID max
0	0	0 V	0 V	0 V
1	8.2K +/- 5%	0.216 V	0.250 V	0.289 V
2	18K +/- 5%	0.436 V	0.503 V	0.538 V
3	33K +/- 5%	0.712 V	0.819 V	0.875 V
4	56K +/- 5%	1.036 V	1.185 V	1.264 V
5	100K +/- 5%	1.453 V	1.650 V	1.759 V
6	200K +/- 5%	1.935 V	2.200 V	2.341 V
7	NC	2.500 V	3.300 V	3.300 V

BOARD ID Table

Board ID	PCB Revision
0	0.1
1	0.2
* 2	0.3 0.4 1.0
3	
4	
5	
6	
7	

BTO Option Table

BTO Item	BOM Structure
Discrete	VGA@
UMA	UMA@

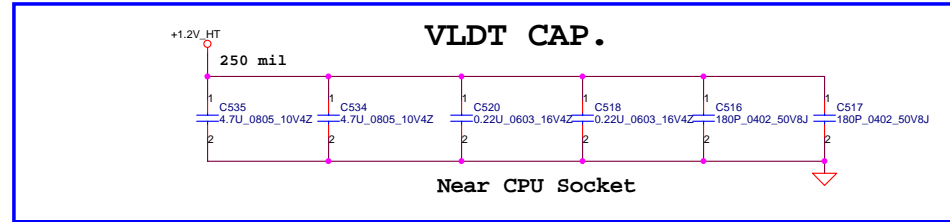
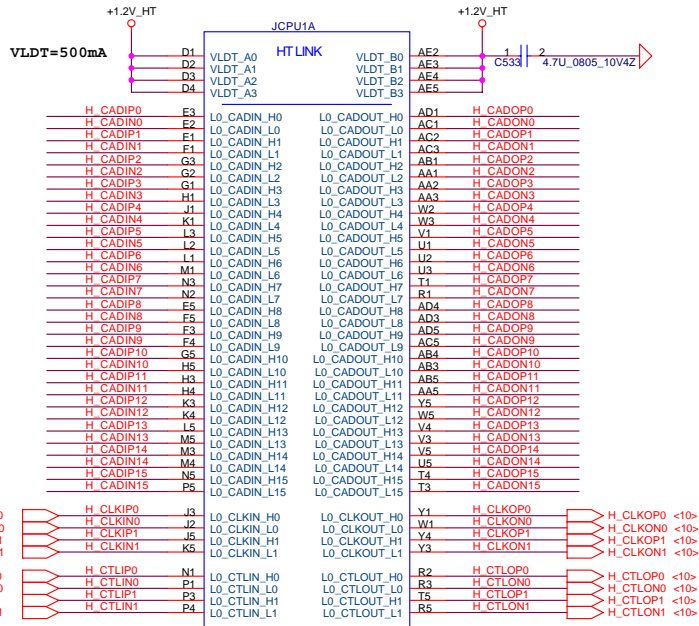
PROJECT ID Table

Board ID	PROJECT
0	KBK0 (SJM70)
1	KBYF0 (SJV70)
2	
3	
4	
5	
6	
7	

Security Classification	Compal Secret Data		Compal Electronics, Inc.	
Issued Date	2008/11/03	Deciphered Date	2009/11/03	Title
				Notes List
THIS SHEET OF ENGINEERING DRAWING IS THE PROPRIETARY PROPERTY OF COMPAL ELECTRONICS, INC. AND CONTAINS CONFIDENTIAL AND TRADE SECRET INFORMATION. THIS SHEET MAY NOT BE TRANSFERRED FROM THE CUSTODY OF THE COMPETENT DIVISION OF R&D DEPARTMENT EXCEPT AS AUTHORIZED BY COMPAL ELECTRONICS, INC. NEITHER THIS SHEET NOR THE INFORMATION IT CONTAINS MAY BE USED BY OR DISCLOSED TO ANY THIRD PARTY WITHOUT PRIOR WRITTEN CONSENT OF COMPAL ELECTRONICS, INC.				Size B Document Number KBYFO LA-5051P Date: Tuesday, February 03, 2009
				Rev 0.3 Sheet 3 of 46

<10> H_CADIP[0..15] H_CADIP[0..15]
 <10> H_CADIN[0..15] H_CADIN[0..15]

H_CADOP[0..15] H_CADOP[0..15] <10>
 H_CADON[0..15] H_CADON[0..15] <10>



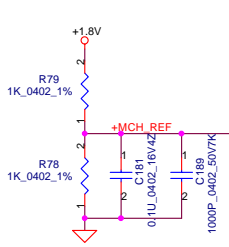
<10> H_CLKIP0 H_CLKIP0 <10>
 <10> H_CLKIN0 H_CLKIN0 <10>
 <10> H_CLKIP1 H_CLKIP1 <10>
 <10> H_CLKIN1 H_CLKIN1 <10>

<10> H_CTLIP0 H_CTLIP0 <10>
 <10> H_CTLIN0 H_CTLIN0 <10>
 <10> H_CTLIP1 H_CTLIP1 <10>
 <10> H_CTLIN1 H_CTLIN1 <10>

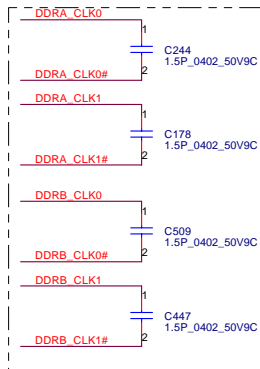
6090022100G_B
 Athlon 64 S1
 Processor Socket
 CONNN@

Security Classification	Compal Secret Data			Title		
Issued Date	2008/11/03	Deciphered Date	2009/11/03	Compal Electronics, Inc.		
				AMD CPU SIG2 HT I/F		
THIS SHEET OF ENGINEERING DRAWING IS THE PROPRIETARY PROPERTY OF COMPAL ELECTRONICS, INC. AND CONTAINS CONFIDENTIAL AND TRADE SECRET INFORMATION. THIS SHEET MAY NOT BE TRANSFERRED FROM THE CUSTODY OF THE COMPETENT DIVISION OF R&D DEPARTMENT EXCEPT AS AUTHORIZED BY COMPAL ELECTRONICS, INC. NEITHER THIS SHEET NOR THE INFORMATION IT CONTAINS MAY BE USED BY OR DISCLOSED TO ANY THIRD PARTY WITHOUT PRIOR WRITTEN CONSENT OF COMPAL ELECTRONICS, INC.				Size	Document Number	Rev
				Custom	KBVF0 LA-5051P	0.3
				Date:	Tuesday, February 03, 2009	Sheet 4 of 46

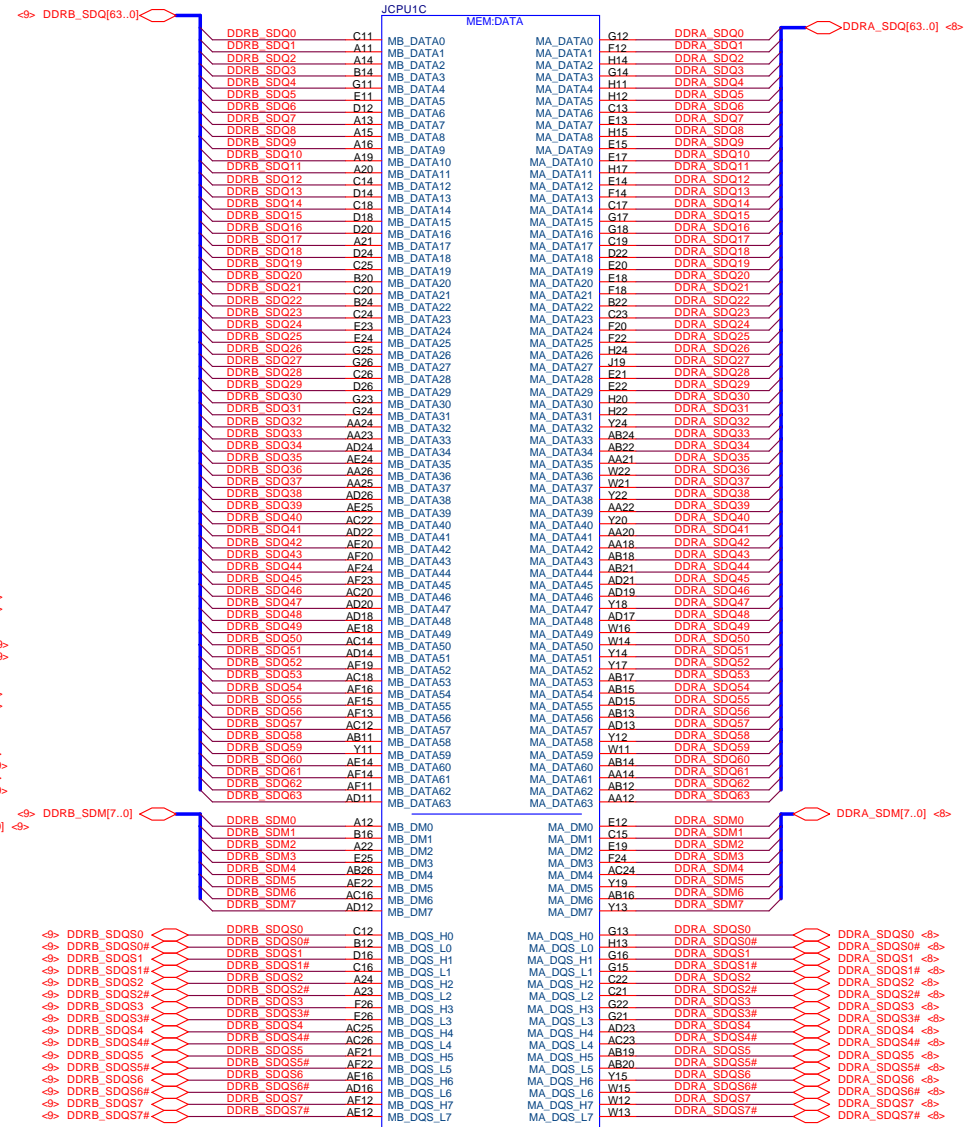
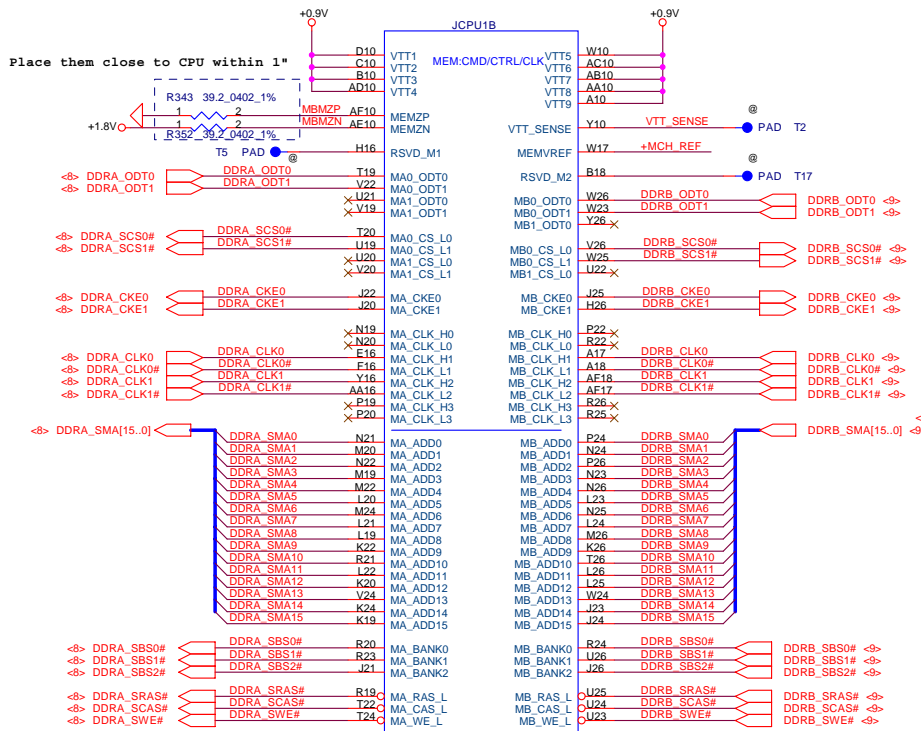
Processor DDR2 Memory Interface



PLACE CLOSE TO PROCESSOR
WITHIN 1.5 INCH



Place them close to CPU within 1"



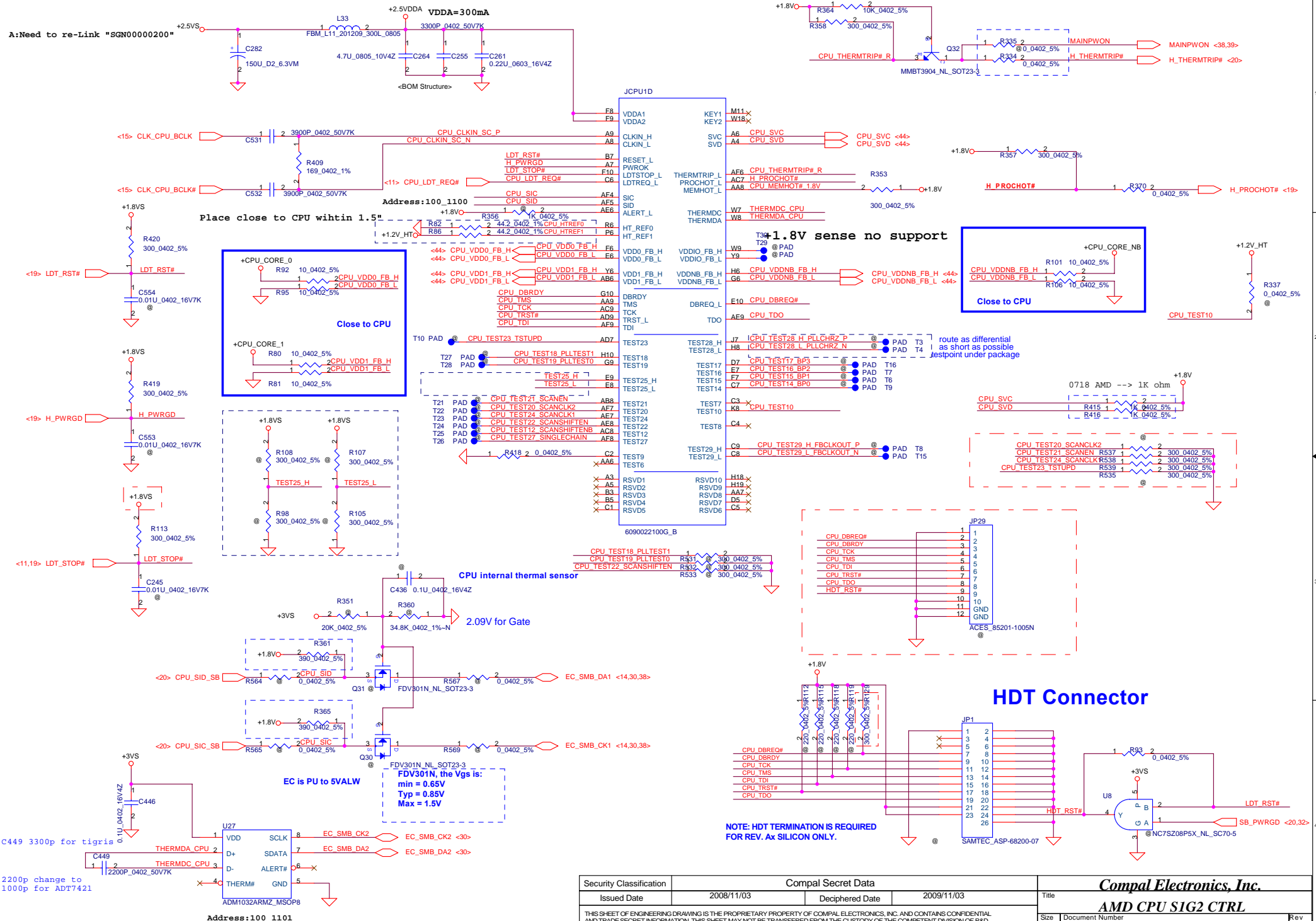
Athlon 64 S1
Processor
Socket

6090022100G_B
Athlon 64 S1
Processor Socket

Security Classification	Compal Secret Data	
Issued Date	2008/11/03	Deciphered Date
		2009/11/03

Title		
Compal Electronics, Inc.		
AMD CPU SIG2 DDR2 I/F		
Size	Document Number	Rev
Custom	KBVF01A-5051P	0.3
Date:	Tuesday, February 03, 2009	Sheet 5 of 46

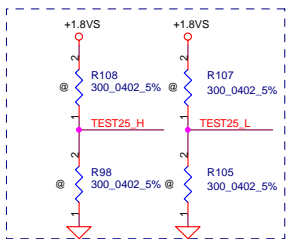
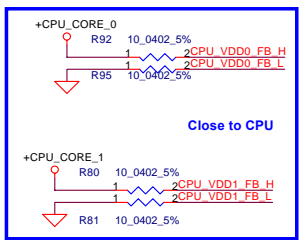
THIS SHEET OF ENGINEERING DRAWING IS THE PROPRIETARY PROPERTY OF COMPAL ELECTRONICS, INC. AND CONTAINS CONFIDENTIAL AND TRADE SECRET INFORMATION. THIS SHEET MAY NOT BE TRANSMITTED FROM THE CUSTODY OF THE COMPETENT DIVISION OF R&D DEPARTMENT EXCEPT AS AUTHORIZED BY COMPAL ELECTRONICS, INC. NEITHER THIS SHEET NOR THE INFORMATION IT CONTAINS MAY BE USED BY OR DISCLOSED TO ANY THIRD PARTY WITHOUT PRIOR WRITTEN CONSENT OF COMPAL ELECTRONICS, INC.



A:Need to re-Link "SGN0000200"

Place close to CPU within 1.5"

Address:100_1100



CPU internal thermal sensor

FDV301N, the Vgs is:
min = 0.65V
Typ = 0.85V
Max = 1.5V

HDT Connector

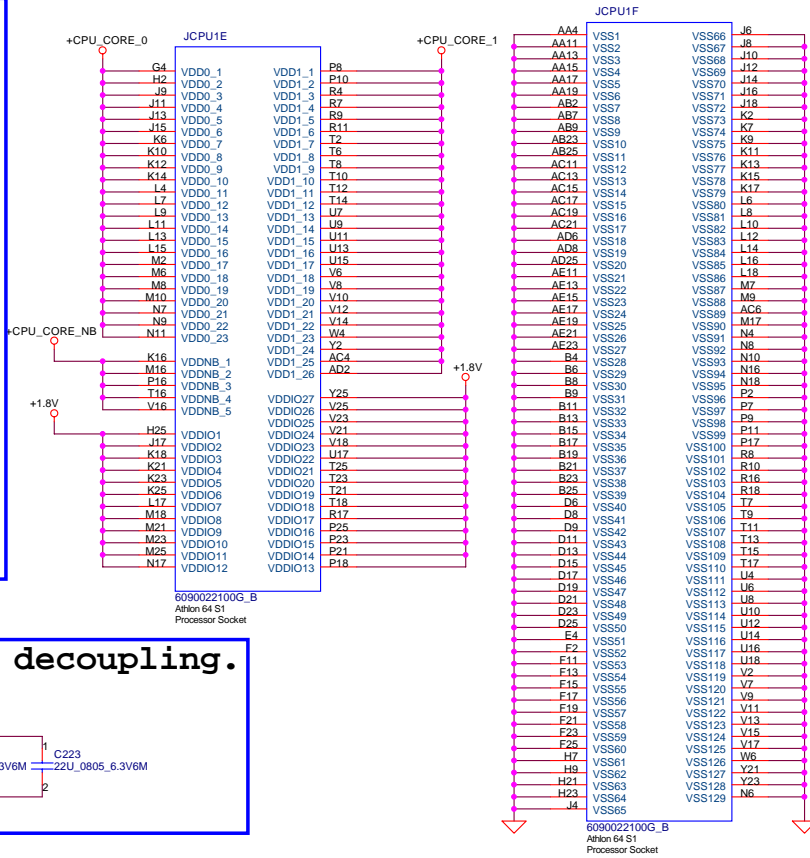
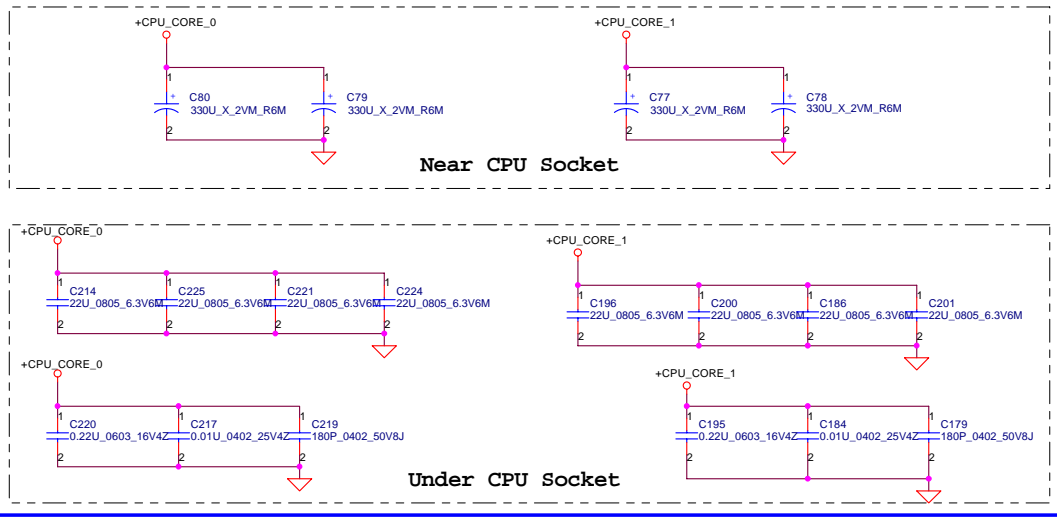
NOTE: HDT TERMINATION IS REQUIRED FOR REV. Ax SILICON ONLY.

2200p change to 1000p for ADT7421

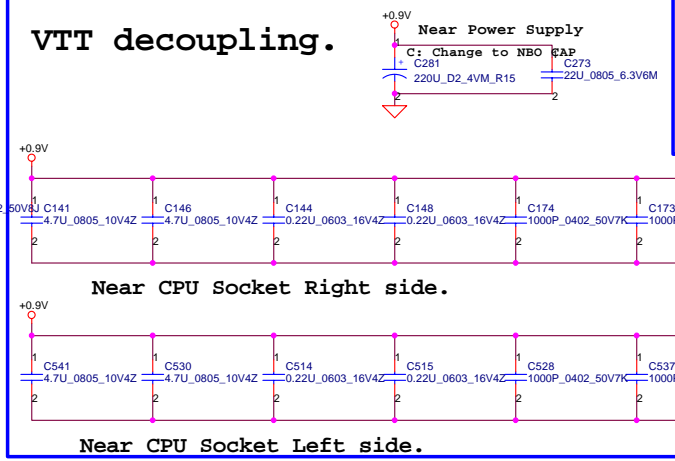
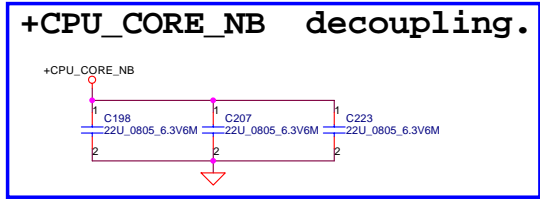
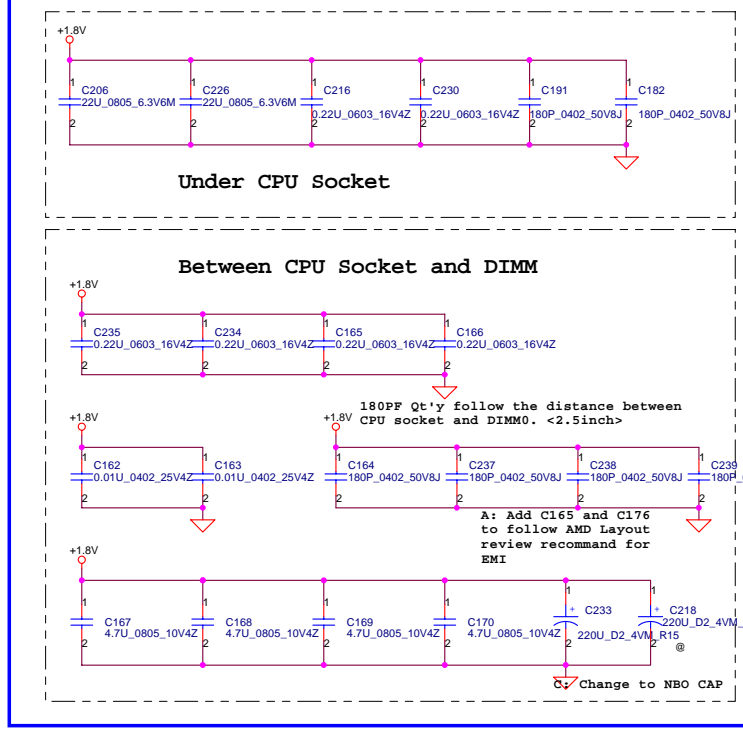
Address:100_1101

Security Classification		Compal Secret Data		Title	
Issued Date	2008/11/03	Deciphered Date	2009/11/03	AMD CPU SIG2 CTRL	
THIS SHEET OF ENGINEERING DRAWING IS THE PROPRIETARY PROPERTY OF COMPAL ELECTRONICS, INC. AND CONTAINS CONFIDENTIAL AND TRADE SECRET INFORMATION. THIS SHEET MAY NOT BE TRANSFERRED FROM THE CUSTODY OF THE COMPETENT DIVISION OF R&D DEPARTMENT EXCEPT AS AUTHORIZED BY COMPAL ELECTRONICS, INC. NEITHER THIS SHEET NOR THE INFORMATION IT CONTAINS MAY BE USED BY OR DISCLOSED TO ANY THIRD PARTY WITHOUT PRIOR WRITTEN CONSENT OF COMPAL ELECTRONICS, INC.				Size	Rev
Custom	Document Number	KBVF01A-5051P		6	0.3
Date:	Tuesday, February 03, 2009	Sheet	6	of	46

VDD(+CPU_CORE) decoupling.

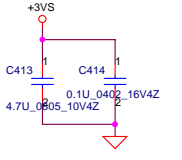
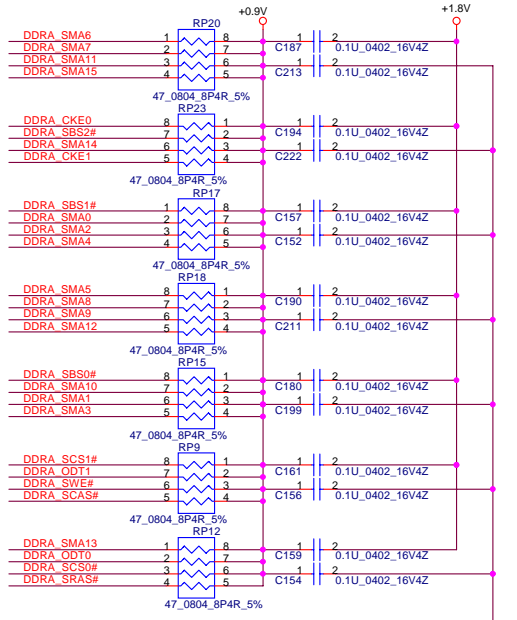
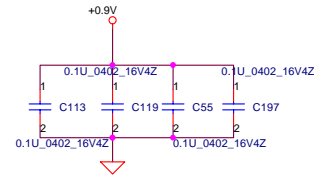
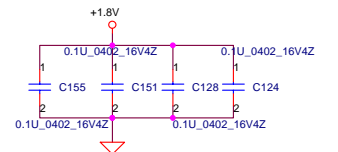
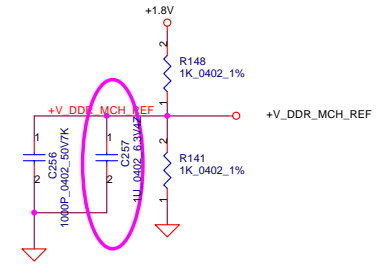
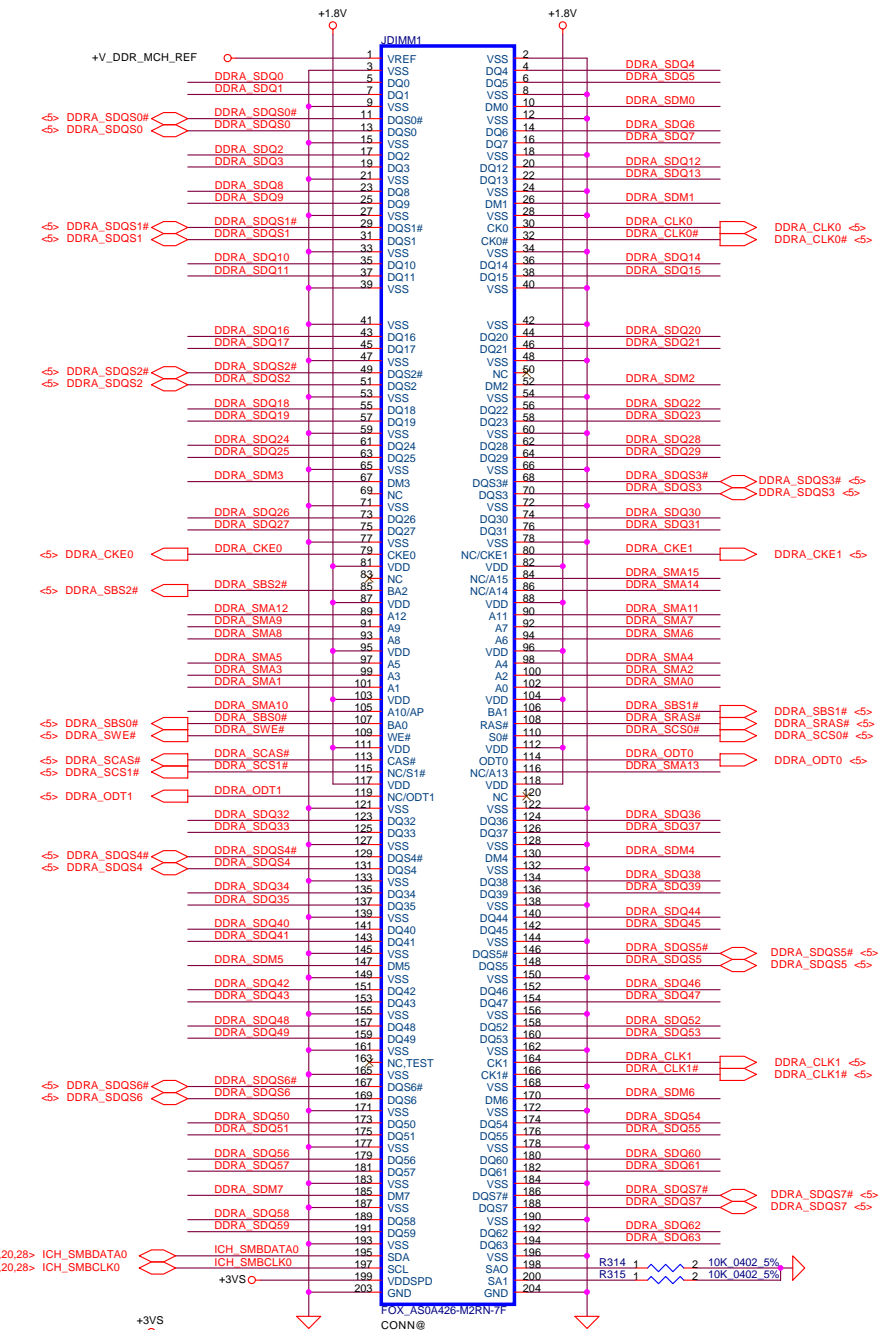


VDDIO decoupling.



Security Classification	Compal Secret Data		Title	
Issued Date	2008/11/03	Deciphered Date	2009/11/03	Compal Electronics, Inc.
THIS SHEET OF ENGINEERING DRAWING IS THE PROPRIETARY PROPERTY OF COMPAL ELECTRONICS, INC. AND CONTAINS CONFIDENTIAL AND TRADE SECRET INFORMATION. THIS SHEET MAY NOT BE TRANSFERRED FROM THE CUSTODY OF THE COMPETENT DIVISION OF R&D DEPARTMENT EXCEPT AS AUTHORIZED BY COMPAL ELECTRONICS, INC. NEITHER THIS SHEET NOR THE INFORMATION IT CONTAINS MAY BE USED BY OR DISCLOSED TO ANY THIRD PARTY WITHOUT PRIOR WRITTEN CONSENT OF COMPAL ELECTRONICS, INC.				AMD CPU SIG2 PWR & GND
Size	Document Number	Rev	Date: Tuesday, February 03, 2009 Sheet 7 of 46	
Custom	KB70 LA-501P	0.3		

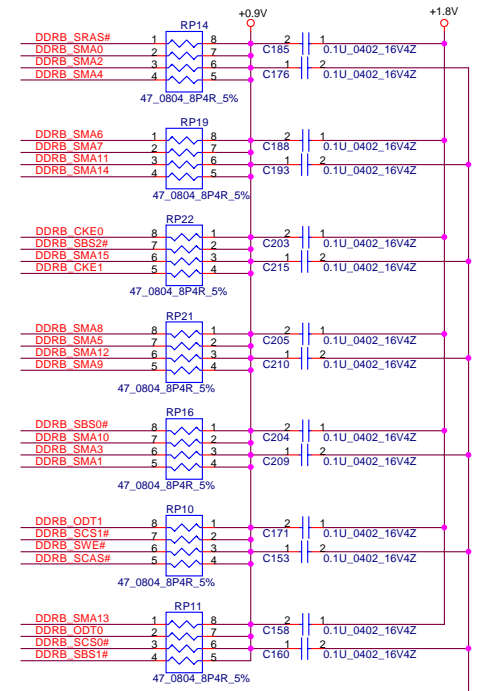
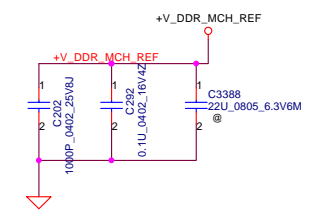
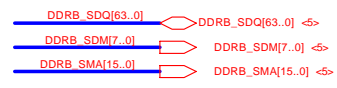
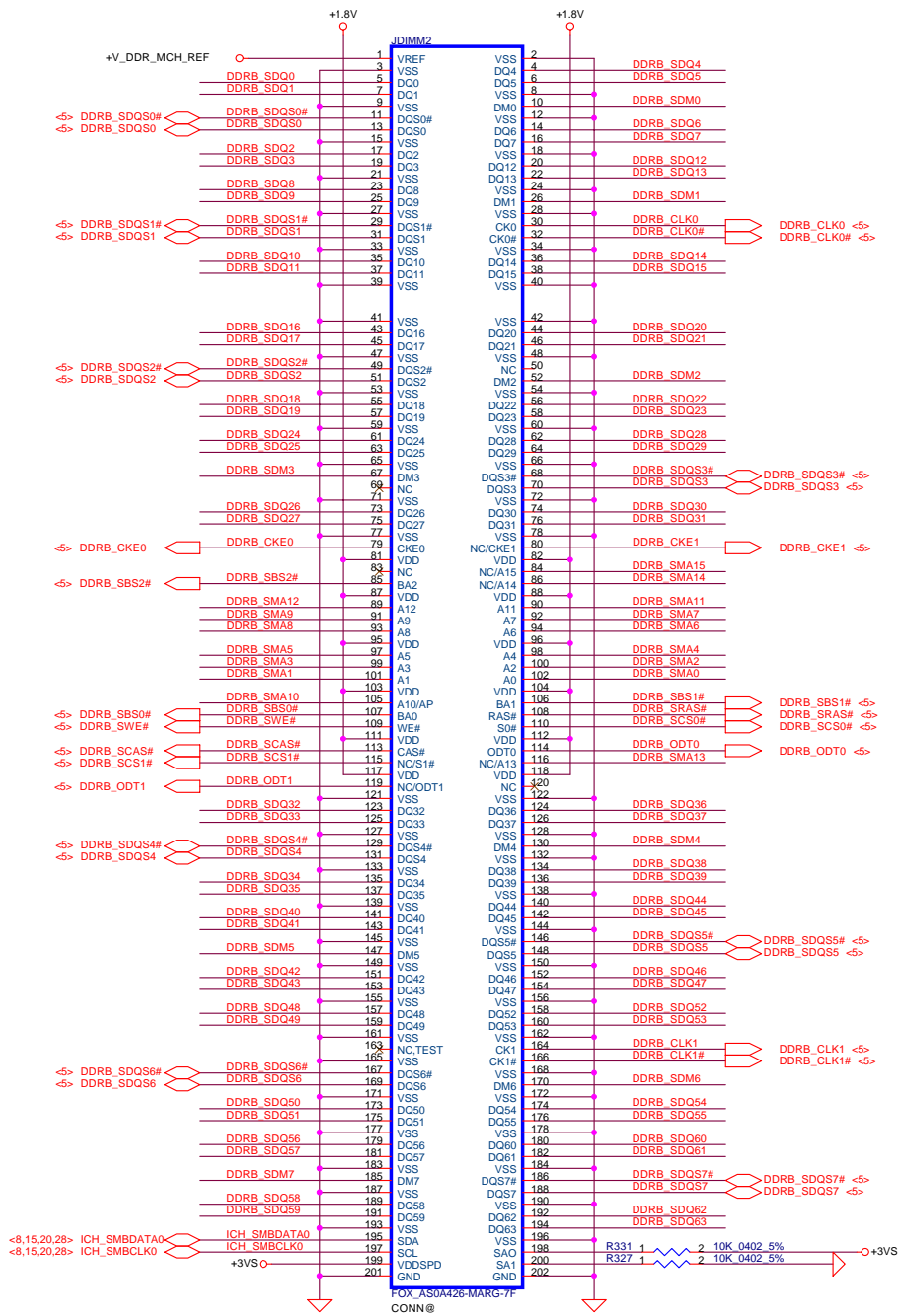
RESERVE
+V_DDR_MCH_REF BUFFER CIRCUIT



DIMM1 REV H:5.2mm (BOT)

Security Classification	Compal Secret Data	
Issued Date	2008/11/03	Deciphered Date
		2009/11/03
THIS SHEET OF ENGINEERING DRAWING IS THE PROPRIETARY PROPERTY OF COMPAL ELECTRONICS, INC. AND CONTAINS CONFIDENTIAL AND TRADE SECRET INFORMATION. THIS SHEET MAY NOT BE TRANSFERRED FROM THE CUSTODY OF THE COMPETENT DIVISION OF R&D DEPARTMENT EXCEPT AS AUTHORIZED BY COMPAL ELECTRONICS, INC. NEITHER THIS SHEET NOR THE INFORMATION IT CONTAINS MAY BE USED BY OR DISCLOSED TO ANY THIRD PARTY WITHOUT PRIOR WRITTEN CONSENT OF COMPAL ELECTRONICS, INC.		

Title			
Compal Electronics, Inc.			
DDRII SO-DIMM 0			
Size	Document Number	Rev	
Custom	KBVF0 LA-5051P	0.3	
Date:	Tuesday, February 03, 2009	Sheet	8 of 46



DIMM1 REV H:9.2mm (BOT)

Security Classification		Compal Secret Data		Title	
Issued Date	2008/11/03	Deciphered Date	2009/11/03	Compal Electronics, Inc. DDR11 SO-DIMM 1	
<small>THIS SHEET OF ENGINEERING DRAWING IS THE PROPRIETARY PROPERTY OF COMPAL ELECTRONICS, INC. AND CONTAINS CONFIDENTIAL AND TRADE SECRET INFORMATION. THIS SHEET MAY NOT BE TRANSFERRED FROM THE CUSTODY OF THE COMPETENT DIVISION OF R&D DEPARTMENT EXCEPT AS AUTHORIZED BY COMPAL ELECTRONICS, INC. NEITHER THIS SHEET NOR THE INFORMATION IT CONTAINS MAY BE USED BY OR DISCLOSED TO ANY THIRD PARTY WITHOUT PRIOR WRITTEN CONSENT OF COMPAL ELECTRONICS, INC.</small>				Size	Rev
Custom	Document Number	KBYF0 LA-5051P		9	0.3
Date:	Tuesday, February 03, 2009	Sheet	9	of	46

<14> PCIE GTX_C_MRX_P0[0..15] < PCIE GTX_C_MRX_P0[0..15] <14>
<14> PCIE GTX_C_MRX_N0[0..15] < PCIE GTX_C_MRX_N0[0..15] <14>

PCIE_MTX_C_GRX_P0[0..15] < PCIE_MTX_C_GRX_P0[0..15] <14>
PCIE_MTX_C_GRX_N0[0..15] < PCIE_MTX_C_GRX_N0[0..15] <14>

Table listing pin connections for PCIE GTX_C_MRX_P0 through P15 and N0 through N15, including signal names like GTX_RX0P, GTX_RX0N, etc.

Table listing pin connections for PCIE GTX_C_MRX_P0 through P15 and N0 through N15, including signal names like GTX_TX0P, GTX_TX0N, etc.

Table listing pin connections for PCIE GTX_C_MRX_P0 through P15 and N0 through N15, including signal names like GTX_RX0P, GTX_RX0N, etc.

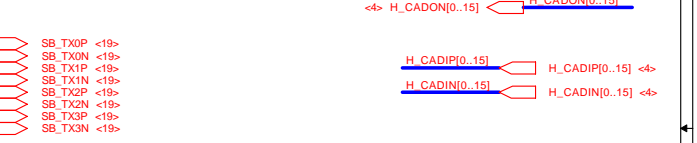
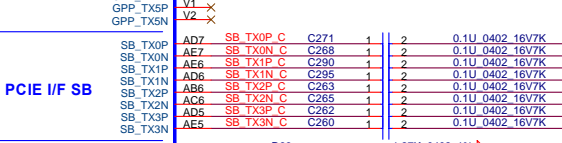
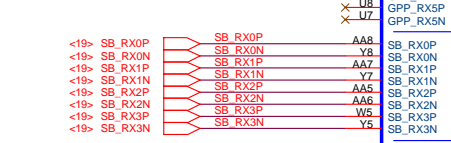
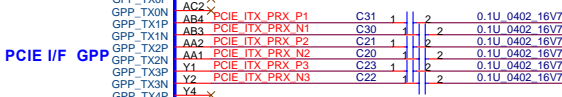
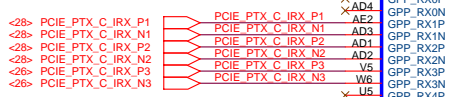
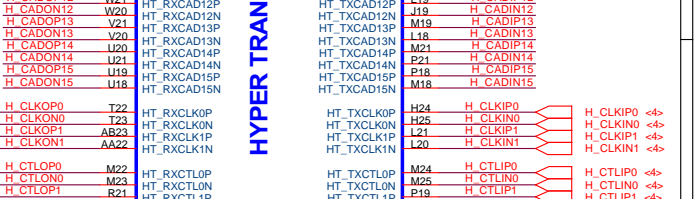
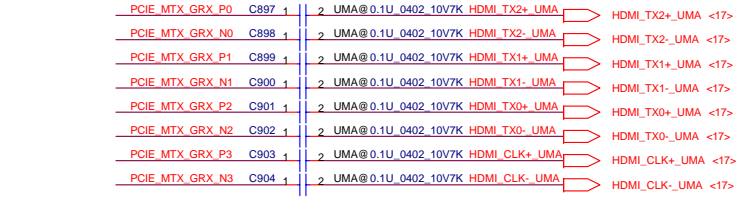


Table titled 'RS780M Display Port Support (muxed on GFX)' with columns DP0, DP1, and signal names like GFX_TX0, TX1, TX2, TX3, AUX0, HPD0, etc.

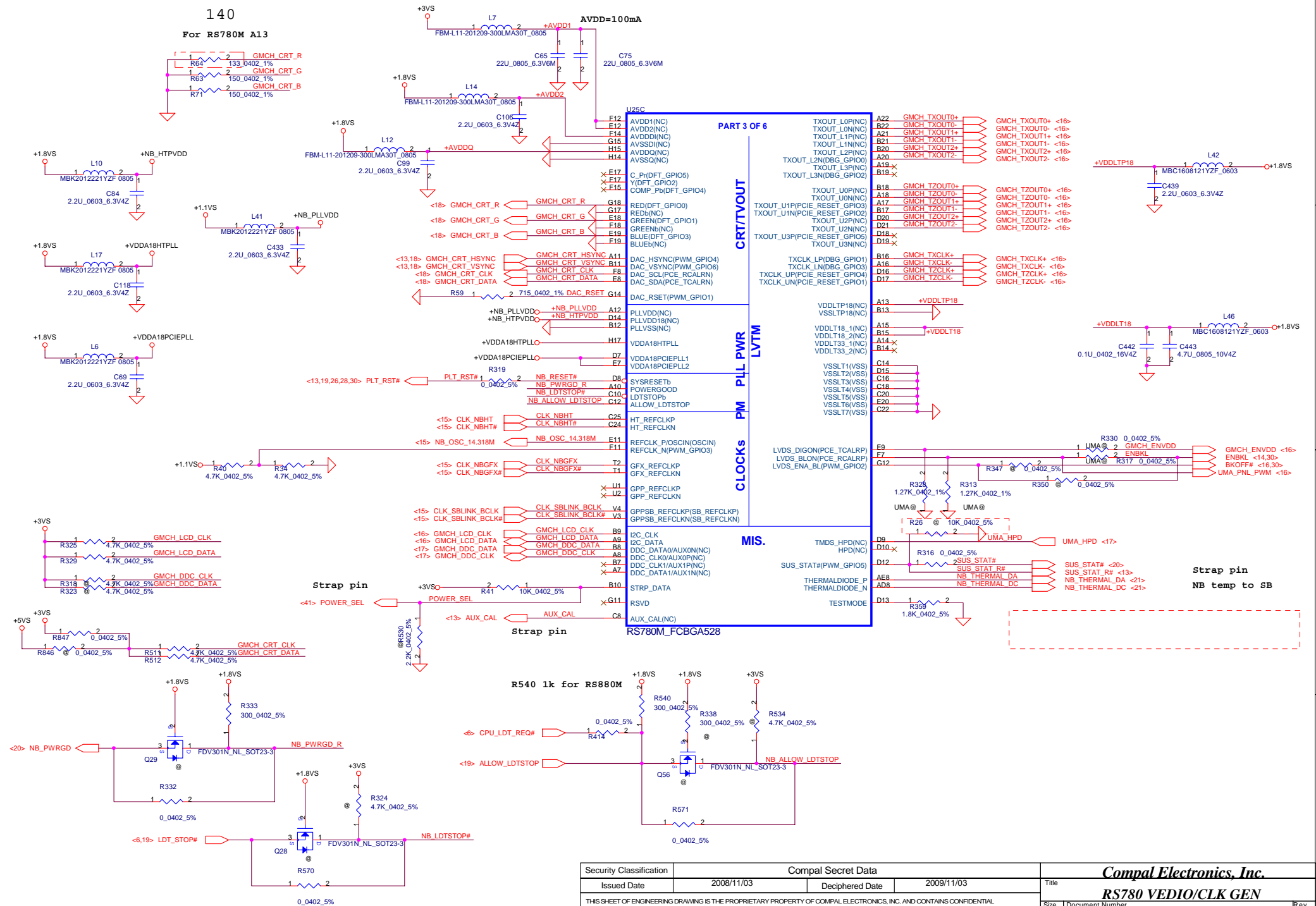


HYPERTRANSPORT CPU I/F

Compal Secret Data table with columns: Security Classification, Issued Date, Deciphered Date, Title (RS780-HT/PCIE), Size, Document Number (KB7FO LA-501P), Date (Tuesday, February 03, 2009), Sheet (10 of 46), Rev (0.3).

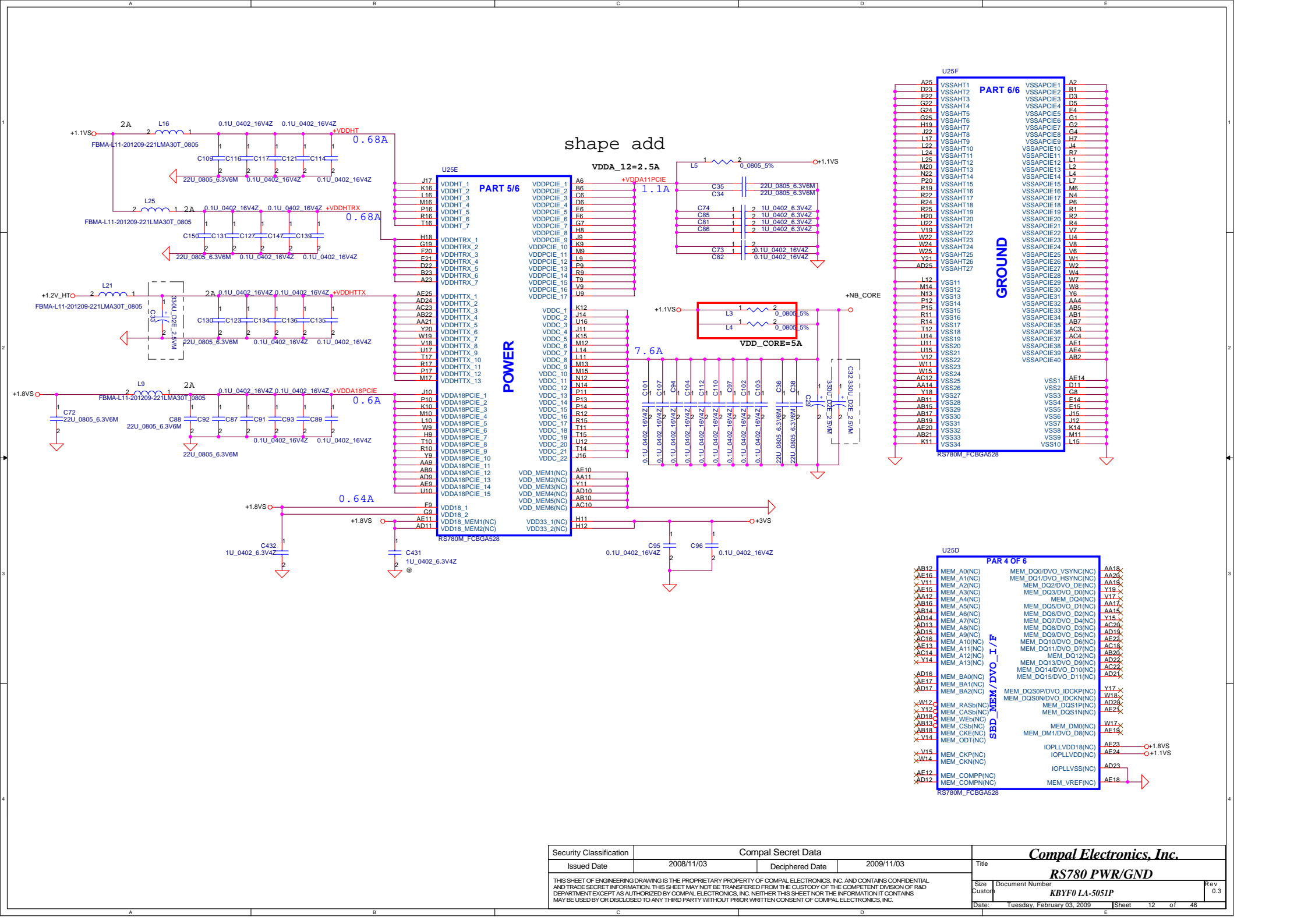
140

For RS780M A13



Security Classification		Compal Secret Data		Title	
Issued Date		Deciphered Date		RS780 VEDIO/CLK GEN	
2008/11/03		2009/11/03		Size Document Number	
				KBTF0 LA-5051P	
				Rev 0.3	
				Date: Tuesday, February 03, 2009	
				Sheet 11 of 46	

THIS SHEET OF ENGINEERING DRAWING IS THE PROPRIETARY PROPERTY OF COMPAL ELECTRONICS, INC. AND CONTAINS CONFIDENTIAL AND TRADE SECRET INFORMATION. THIS SHEET MAY NOT BE TRANSFERRED FROM THE CUSTODY OF THE COMPETENT DIVISION OF R&D DEPARTMENT EXCEPT AS AUTHORIZED BY COMPAL ELECTRONICS, INC. NEITHER THIS SHEET NOR THE INFORMATION IT CONTAINS MAY BE USED BY OR DISCLOSED TO ANY THIRD PARTY WITHOUT PRIOR WRITTEN CONSENT OF COMPAL ELECTRONICS, INC.



shape add

PART 5/6

VDDA12=2.5A

VDDA18PCIE

1.1A

VDD_CORE=5A

7.6A

POWER

PART 6/6

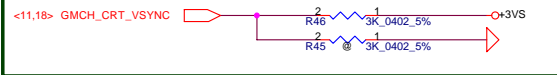
GROUND

PAR 4 OF 6

SBD_MEM/DVO_I/F

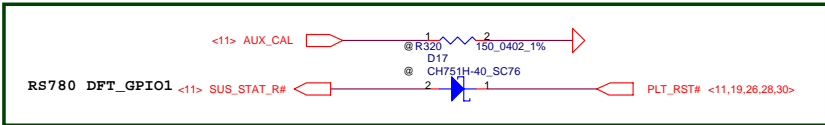
Security Classification	Compal Secret Data		Title
Issued Date	2008/11/03	Deciphered Date	2009/11/03
THIS SHEET OF ENGINEERING DRAWING IS THE PROPRIETARY PROPERTY OF COMPAL ELECTRONICS, INC. AND CONTAINS CONFIDENTIAL AND TRADE SECRET INFORMATION. THIS SHEET MAY NOT BE TRANSFERRED FROM THE CUSTODY OF THE COMPETENT DIVISION OF R&D DEPARTMENT EXCEPT AS AUTHORIZED BY COMPAL ELECTRONICS, INC. NEITHER THIS SHEET NOR THE INFORMATION IT CONTAINS MAY BE USED BY OR DISCLOSED TO ANY THIRD PARTY WITHOUT PRIOR WRITTEN CONSENT OF COMPAL ELECTRONICS, INC.			
Size	Document Number	Rev	
Custom	KB70 LA-501P	0.3	
Date:	Tuesday, February 03, 2009	Sheet	12 of 46

Compal Electronics, Inc.	
RS780 PWR/GND	
KB70 LA-501P	
Date:	Tuesday, February 03, 2009
Sheet	12 of 46



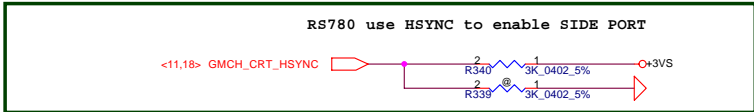
DFT_GPIO5:STRAP_DEBUG_BUS_GPIO_ENABLEb

Enables the Test Debug Bus using GPIO. (VSYNC)
 1 : Disable (RS780)
 0 : Enable (RS780)



DFT_GPIO1:LOAD_EEPROM_STRAPS

Selects Loading of STRAPS from EPROM
 1 : Bypass the loading of EEPROM straps and use Hardware Default Values
 0 : I2C Master can load strap values from EEPROM if connected, or use default values if not connected
 RS740/RX780: DFT_GPIO1 RS780:SUS_STAT

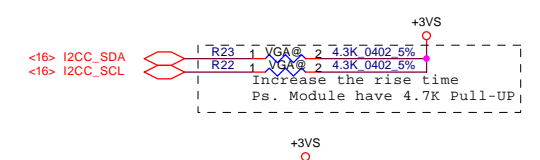
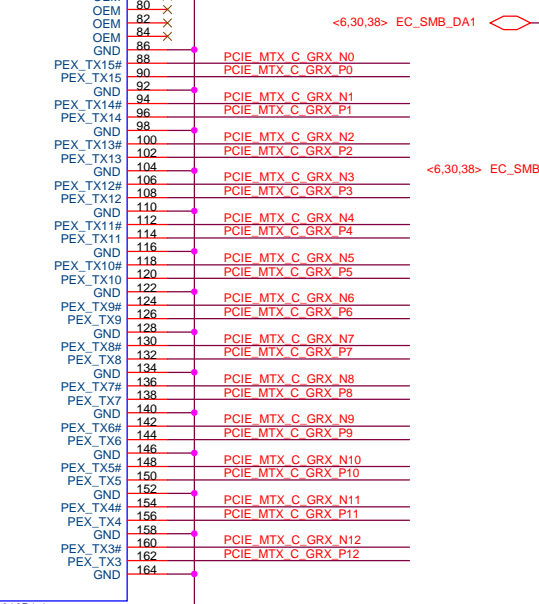
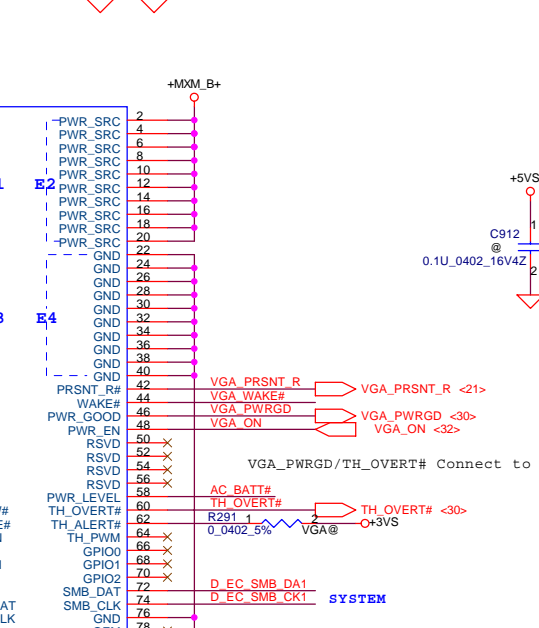
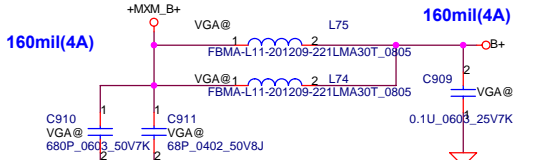
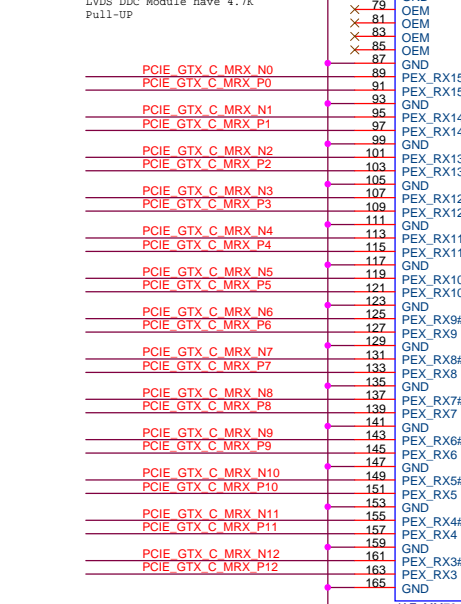
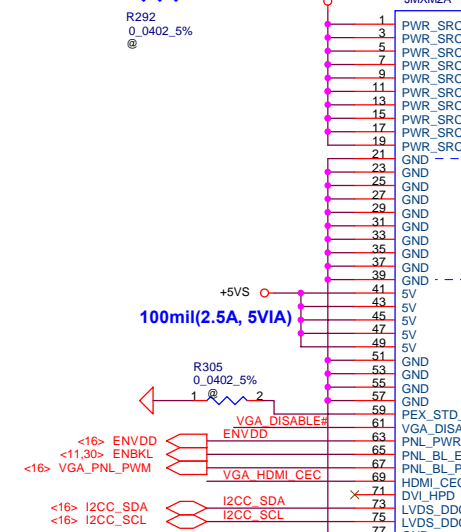
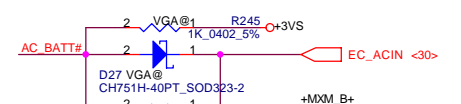


RS780 use HSYNC to enable SIDE PORT

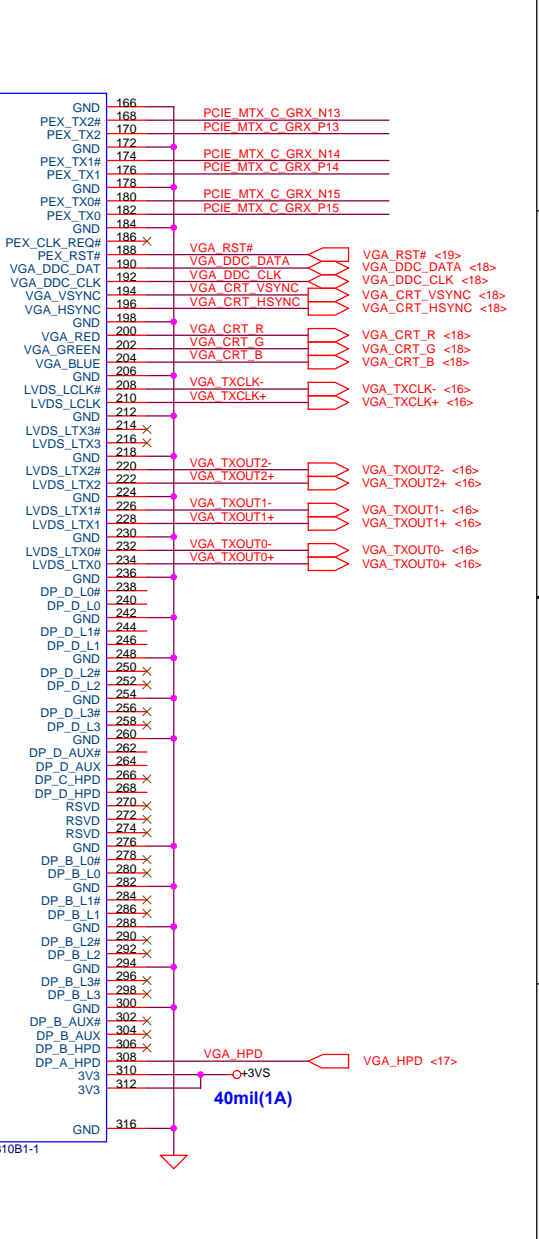
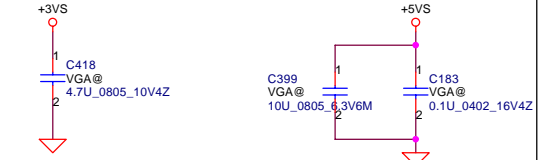
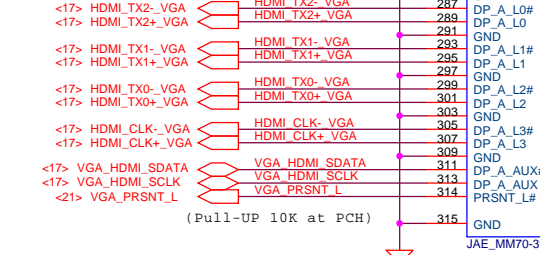
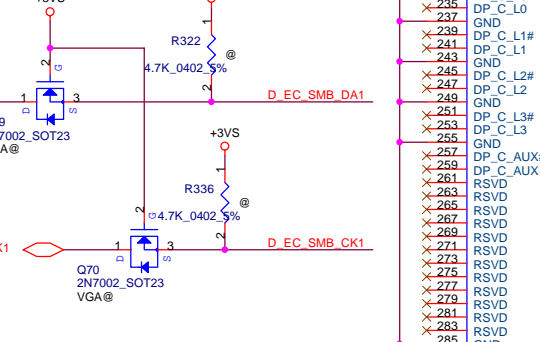
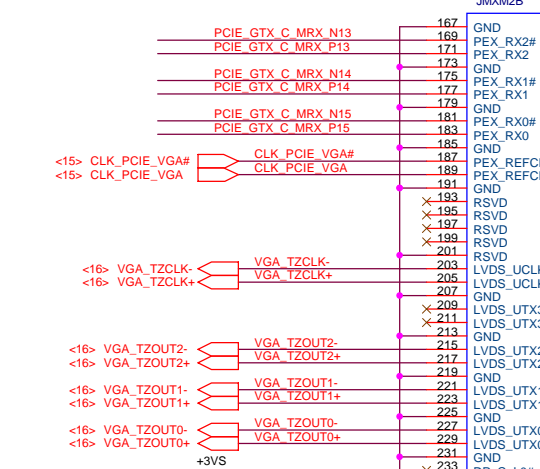
RS740/RS780: Enables Side port memory (RS780 use HSYNC#)
 0 : Enable (RS780)
 1 : Disable(RS780)

Security Classification		Compal Secret Data		Title	
Issued Date	2008/11/03	Deciphered Date	2009/11/03	RS780 STRAPS	
THIS SHEET OF ENGINEERING DRAWING IS THE PROPRIETARY PROPERTY OF COMPAL ELECTRONICS, INC. AND CONTAINS CONFIDENTIAL AND TRADE SECRET INFORMATION. THIS SHEET MAY NOT BE TRANSFERRED FROM THE CUSTODY OF THE COMPETENT DIVISION OF R&D DEPARTMENT EXCEPT AS AUTHORIZED BY COMPAL ELECTRONICS, INC. NEITHER THIS SHEET NOR THE INFORMATION IT CONTAINS MAY BE USED BY OR DISCLOSED TO ANY THIRD PARTY WITHOUT PRIOR WRITTEN CONSENT OF COMPAL ELECTRONICS, INC.				Size	Rev
				Custom	0.3
				Date:	Tuesday, February 03, 2009
				Sheet	13 of 46

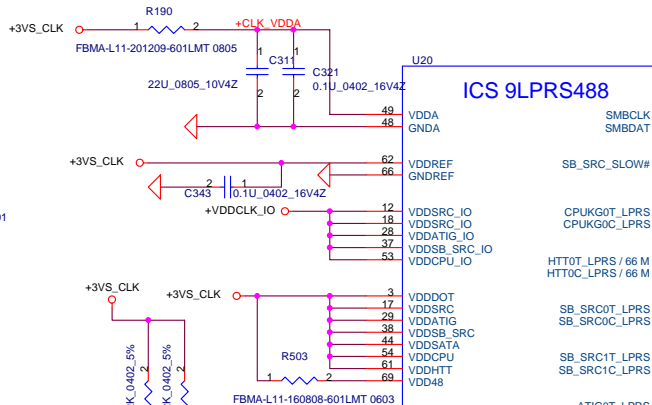
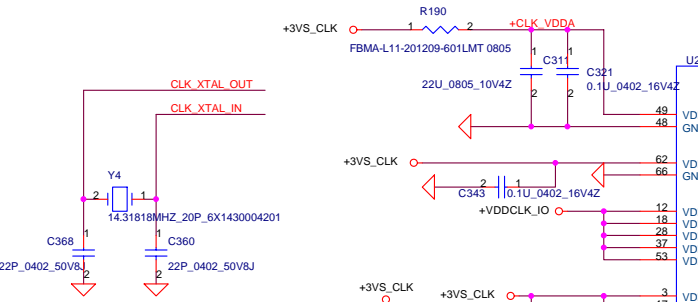
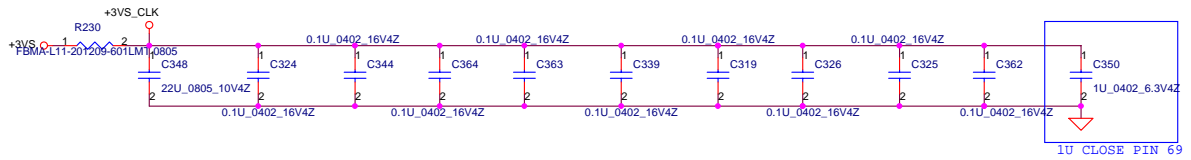
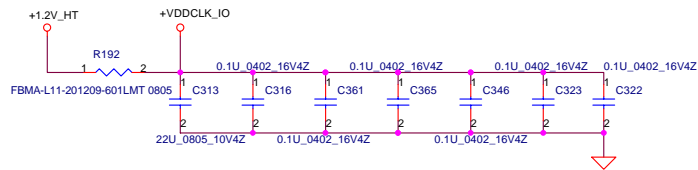
- <10> PCIE_MTX_C_GRX_N[0..15] <=> PCIE_MTX_C_GRX_N[0..15]
- <10> PCIE_MTX_C_GRX_P[0..15] <=> PCIE_MTX_C_GRX_P[0..15]
- <10> PCIE_GTX_C_MRX_N[0..15] <=> PCIE_GTX_C_MRX_N[0..15]
- <10> PCIE_GTX_C_MRX_P[0..15] <=> PCIE_GTX_C_MRX_P[0..15]



TH_OVERT#	R114	VGA@	2	10K	0402	5%
VGA_PWGRD	R961	VGA@	2	10K	0402	5%
VGA_HDMI_CEC	R138	VGA@	2	10K	0402	5% (Reserved)
VGA_DISABLE#	R971	VGA@	2	10K	0402	5% (Reserved)
VGA_WAKE#	R142	VGA@	2	10K	0402	5% (Reserved)



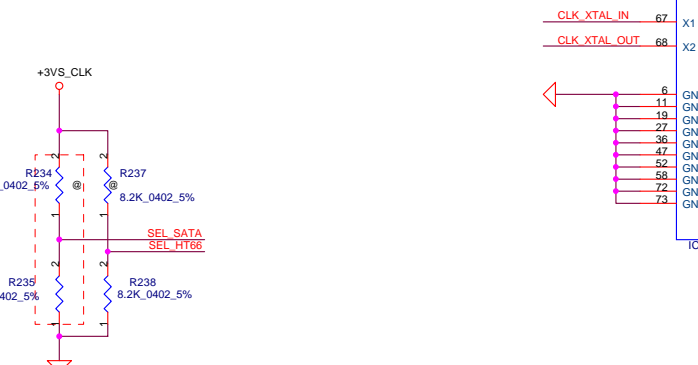
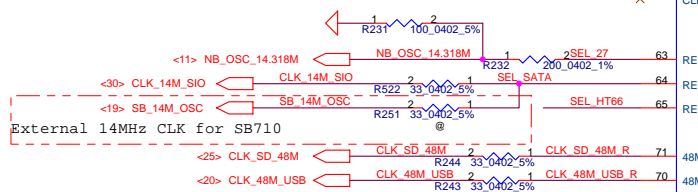
Security Classification		Compal Secret Data		Compal Electronics, Inc.	
Issued Date	2008/11/03	Deciphered Date	2009/11/03	Title	
THIS SHEET OF ENGINEERING DRAWING IS THE PROPRIETARY PROPERTY OF COMPAL ELECTRONICS, INC. AND CONTAINS CONFIDENTIAL AND TRADE SECRET INFORMATION. THIS SHEET MAY NOT BE TRANSFERRED FROM THE CUSTODY OF THE COMPETENT DIVISION OF R&D DEPARTMENT EXCEPT AS AUTHORIZED BY COMPAL ELECTRONICS, INC. NEITHER THIS SHEET NOR THE INFORMATION IT CONTAINS MAY BE USED BY OR DISCLOSED TO ANY THIRD PARTY WITHOUT PRIOR WRITTEN CONSENT OF COMPAL ELECTRONICS, INC.				MXM Connector	
Size	Document Number			Rev	
B	KBYFO LA-5051P			0.3	
Date:	Tuesday, February 03, 2009	Sheet	14	of	46



SRC 0	LAN
SRC 1	NEWCARD
SRC 2	MINI2
SRC 3	MINI1

REQ0# FOR SRC1
REQ2# FOR SRC2
REQ3# FOR SRC3

<28> MINI1_CLKREQ#
<28> MINI2_CLKREQ#

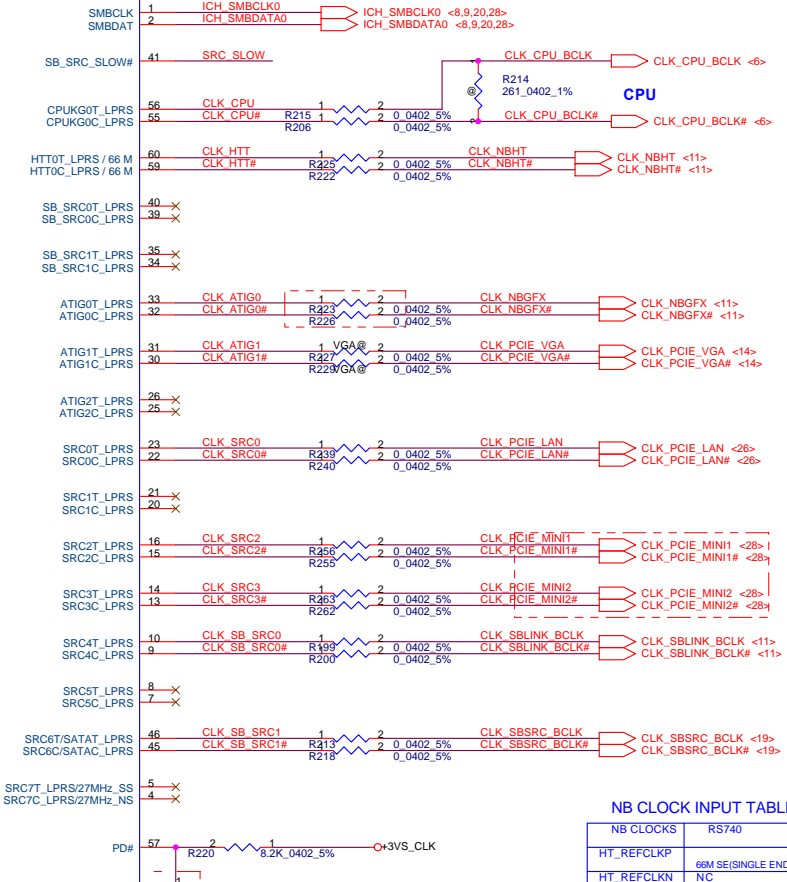


SEL_HTT66	1	configure as single-ended 66MHz output
	0*	configure as differential 100MHz output
SEL_SATA	1*	100M SATA SRC6 output
	0	SPREAD 100M SATA SRC6 output

* default

NB_OSC_14.318M	1	configure as 27M and 27M_SS output
	0*	configure as SRC_7 output

ICS 9LPRS488



NB GFX

VGA chip(Dis)

GLAN

MiniCard_1

MiniCard_2

NB A LINK

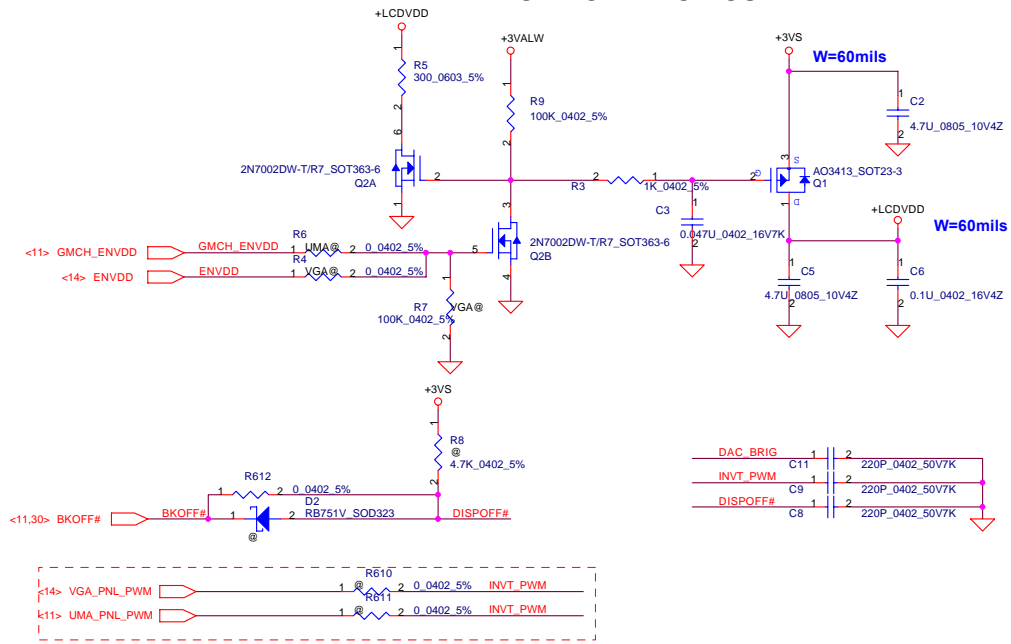
SB RCLK

NB CLOCK INPUT TABLE

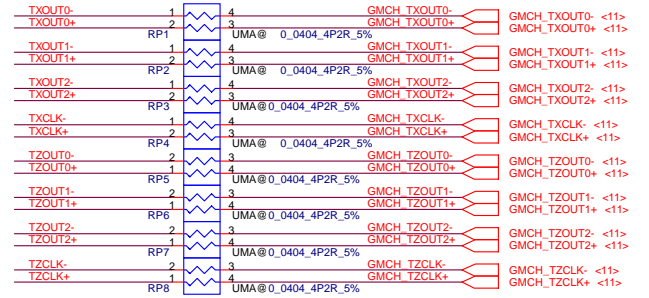
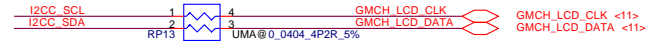
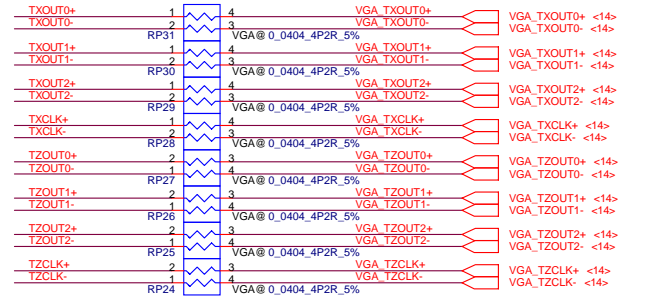
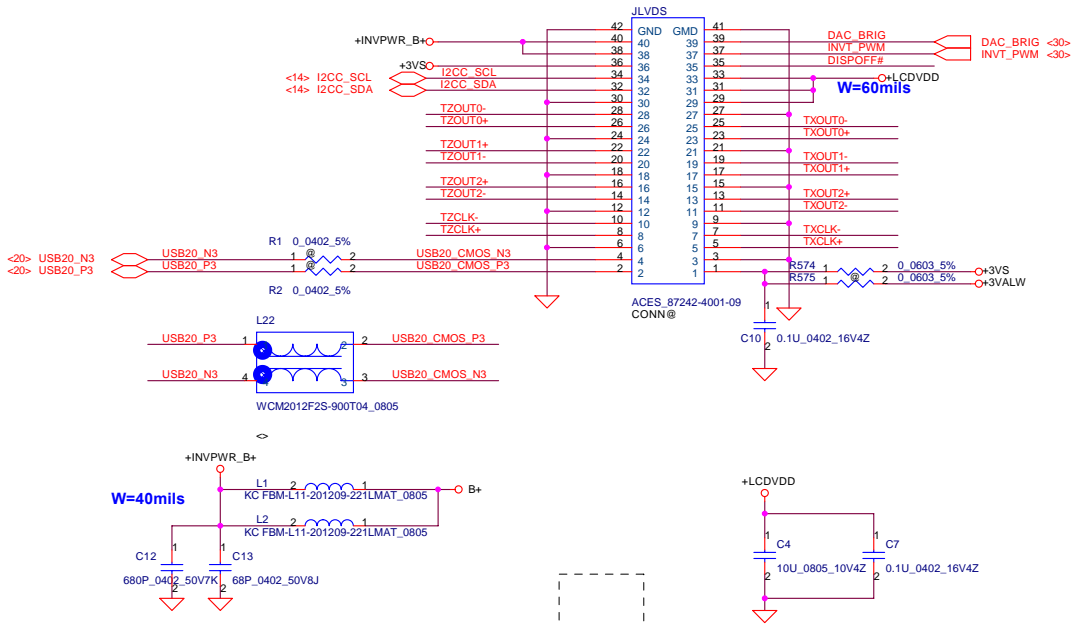
NB CLOCKS	RS740	RX780	RS780
HT_REFCLKP	66M SE(SINGLE END)	100M DIFF	100M DIFF
HT_REFCLKN	NC	100M DIFF	100M DIFF
REFCLK_P			
REFCLK_N	14M SE (3.3V)	14M SE (1.8V)	14M SE (1.1V)
GFX_REFCLK	100M DIFF	100M DIFF	100M DIFF(N/OUT)
GPP_REFCLK	NC	100M DIFF	NC
GPPS_REFCLK	100M DIFF	100M DIFF	100M DIFF

Security Classification	Compal Secret Data		Title	
Issued Date	2008/11/03	Deciphered Date	2009/11/03	Compal Electronics, Inc.
THIS SHEET OF ENGINEERING DRAWING IS THE PROPRIETARY PROPERTY OF COMPAL ELECTRONICS, INC. AND CONTAINS CONFIDENTIAL AND TRADE SECRET INFORMATION. THIS SHEET MAY NOT BE TRANSFERRED FROM THE CUSTODY OF THE COMPETENT DIVISION OF R&D DEPARTMENT EXCEPT AS AUTHORIZED BY COMPAL ELECTRONICS, INC. NEITHER THIS SHEET NOR THE INFORMATION IT CONTAINS MAY BE USED BY OR DISCLOSED TO ANY THIRD PARTY WITHOUT PRIOR WRITTEN CONSENT OF COMPAL ELECTRONICS, INC.				<p>Clock generator</p> <p>Size: Custom Document Number: KBYF0 LA-501P Rev: 0.3</p>
Date:	Tuesday, February 03, 2009	Sheet	15	of 46

LCD POWER CIRCUIT

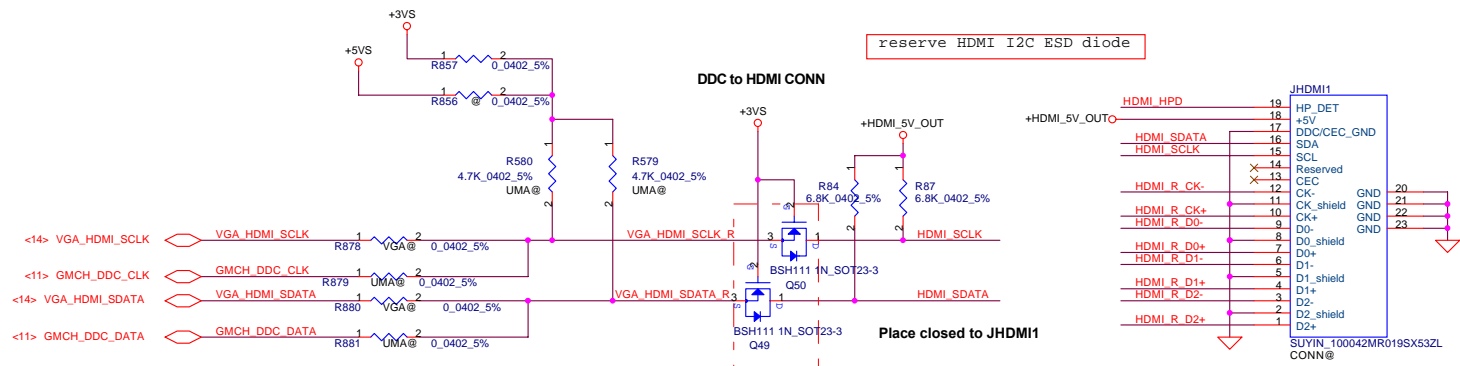


LCD/PANEL BD. Conn.



Security Classification	Compal Secret Data	
Issued Date	2008/11/03	Deciphered Date
		2009/11/03
THIS SHEET OF ENGINEERING DRAWING IS THE PROPRIETARY PROPERTY OF COMPAL ELECTRONICS, INC. AND CONTAINS CONFIDENTIAL AND TRADE SECRET INFORMATION. THIS SHEET MAY NOT BE TRANSFERRED FROM THE CUSTODY OF THE COMPETENT DIVISION OF R&D DEPARTMENT EXCEPT AS AUTHORIZED BY COMPAL ELECTRONICS, INC. NEITHER THIS SHEET NOR THE INFORMATION IT CONTAINS MAY BE USED BY OR DISCLOSED TO ANY THIRD PARTY WITHOUT PRIOR WRITTEN CONSENT OF COMPAL ELECTRONICS, INC.		

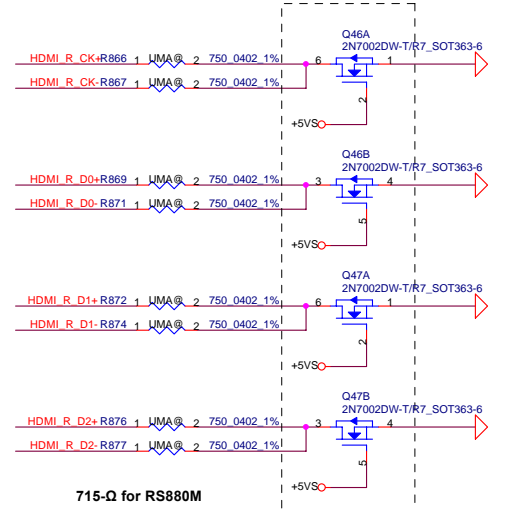
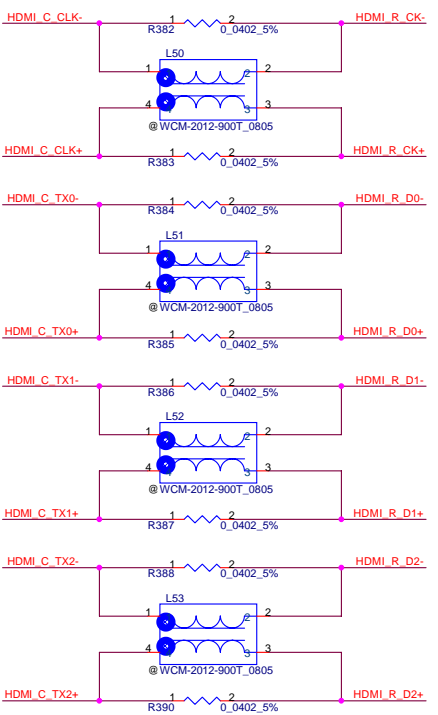
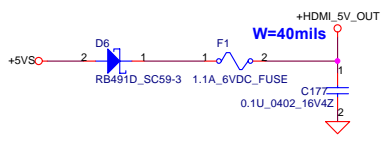
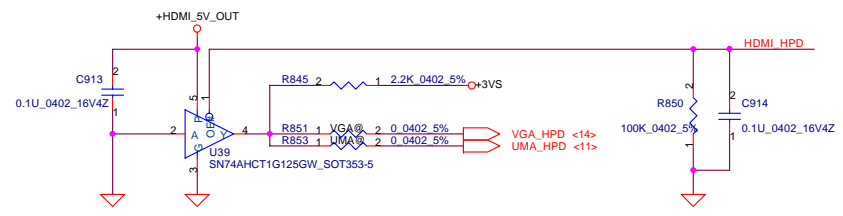
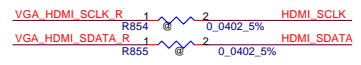
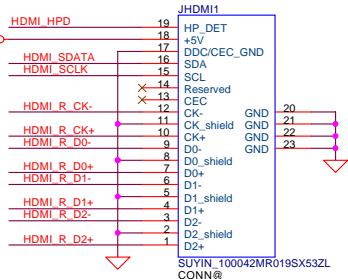
Compal Electronics, Inc.			
Title			
LVDS & DVI Connector			
Size	Document Number	Rev	
B	KBYF0 LA-5051P	0.3	
Date:	Tuesday, February 03, 2009	Sheet	16 of 46



reserve HDMI I2C ESD diode

DDC to HDMI CONN

Place closed to JHDMI1



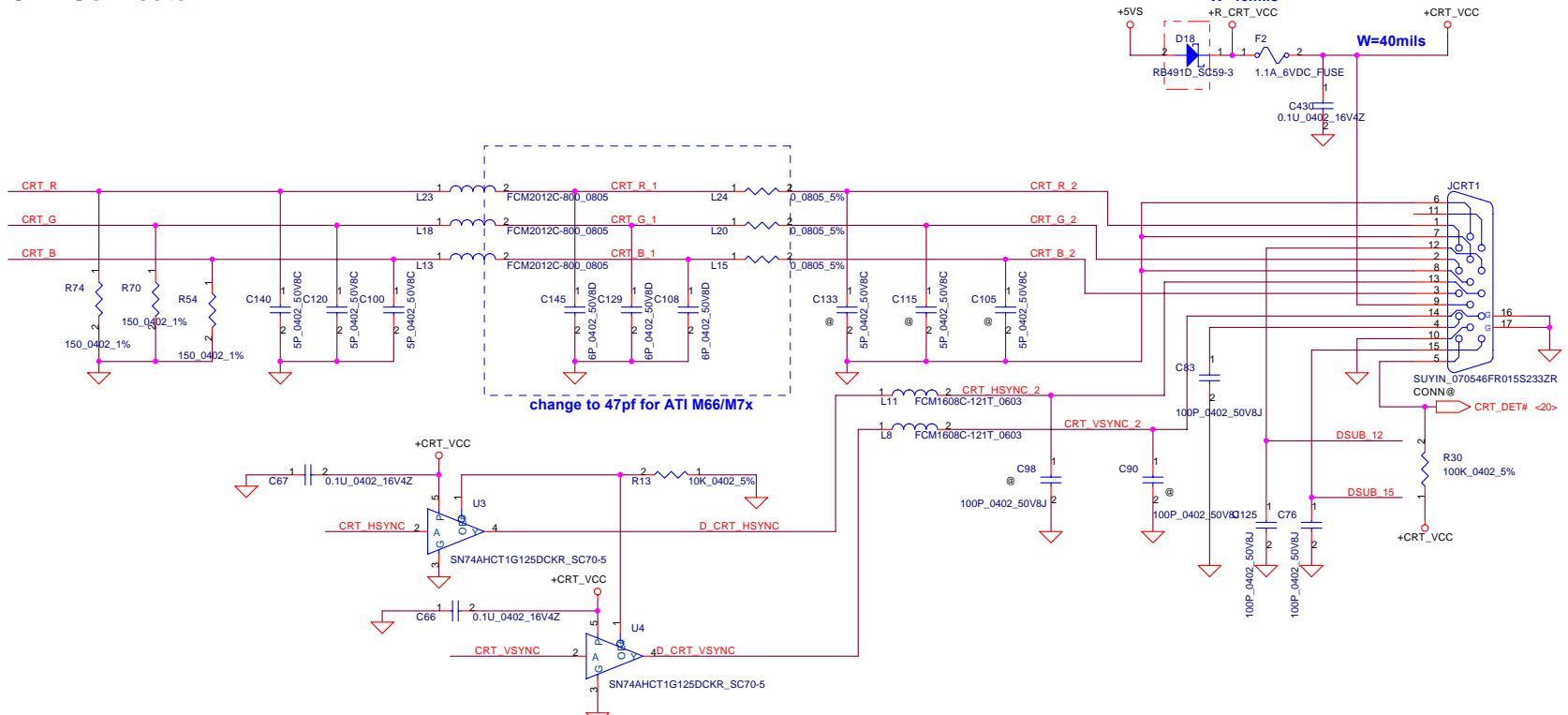
- <14> HDMI_CLK+_VGA C712 VGA@1 2 0.1U_0402_16V7K HDMI_C_CLK+
- <14> HDMI_CLK-_VGA C713 VGA@1 2 0.1U_0402_16V7K HDMI_C_CLK-
- <14> HDMI_TX0+_VGA C714 VGA@1 2 0.1U_0402_16V7K HDMI_C_TX0+
- <14> HDMI_TX0-_VGA C715 VGA@1 2 0.1U_0402_16V7K HDMI_C_TX0-
- <14> HDMI_TX1+_VGA C716 VGA@1 2 0.1U_0402_16V7K HDMI_C_TX1+
- <14> HDMI_TX1-_VGA C717 VGA@1 2 0.1U_0402_16V7K HDMI_C_TX1-
- <14> HDMI_TX2+_VGA C718 VGA@1 2 0.1U_0402_16V7K HDMI_C_TX2+
- <14> HDMI_TX2-_VGA C719 VGA@1 2 0.1U_0402_16V7K HDMI_C_TX2-

- <10> HDMI_CLK+_UMA R858 UMA@ 2 0.0402_5% HDMI_C_CLK+
- <10> HDMI_CLK-_UMA R859 UMA@ 2 0.0402_5% HDMI_C_CLK-
- <10> HDMI_TX0+_UMA R860 UMA@ 2 0.0402_5% HDMI_C_TX0+
- <10> HDMI_TX0-_UMA R861 UMA@ 2 0.0402_5% HDMI_C_TX0-
- <10> HDMI_TX1+_UMA R862 UMA@ 2 0.0402_5% HDMI_C_TX1+
- <10> HDMI_TX1-_UMA R863 UMA@ 2 0.0402_5% HDMI_C_TX1-
- <10> HDMI_TX2+_UMA R864 UMA@ 2 0.0402_5% HDMI_C_TX2+
- <10> HDMI_TX2-_UMA R865 UMA@ 2 0.0402_5% HDMI_C_TX2-

Security Classification	Compal Secret Data	
Issued Date	2008/11/03	Deciphered Date
		2009/11/03
THIS SHEET OF ENGINEERING DRAWING IS THE PROPRIETARY PROPERTY OF COMPAL ELECTRONICS, INC. AND CONTAINS CONFIDENTIAL AND TRADE SECRET INFORMATION. THIS SHEET MAY NOT BE TRANSFERRED FROM THE CUSTODY OF THE COMPETENT DIVISION OF R&D DEPARTMENT EXCEPT AS AUTHORIZED BY COMPAL ELECTRONICS, INC. NEITHER THIS SHEET NOR THE INFORMATION IT CONTAINS MAY BE USED BY OR DISCLOSED TO ANY THIRD PARTY WITHOUT PRIOR WRITTEN CONSENT OF COMPAL ELECTRONICS, INC.		

Compal Electronics, Inc.	
Title	
DVI/HDMI Connector	
Size	Document Number
Customer	KBYF0 LA-5051P
Date	Tuesday, February 03, 2009
Sheet	17 of 46
Rev	0.3

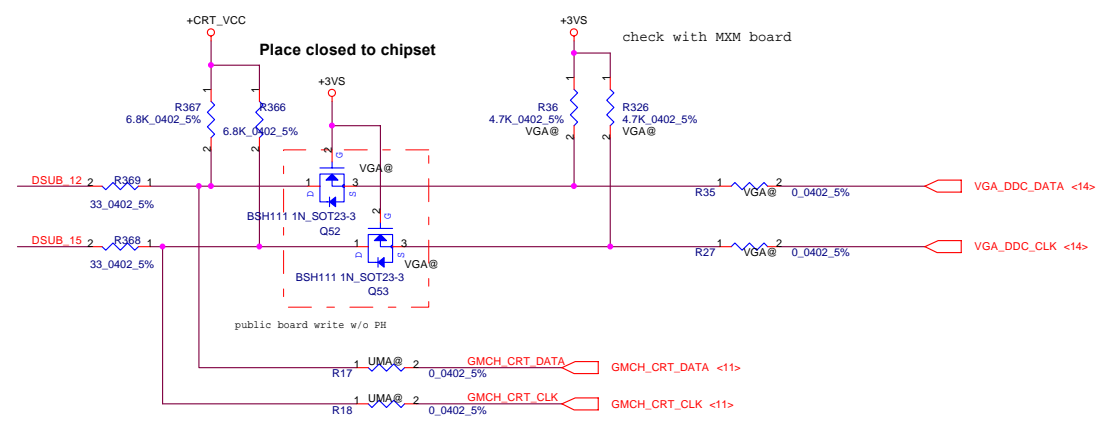
CRT Connector



change to 47pf for ATI M66/M7x

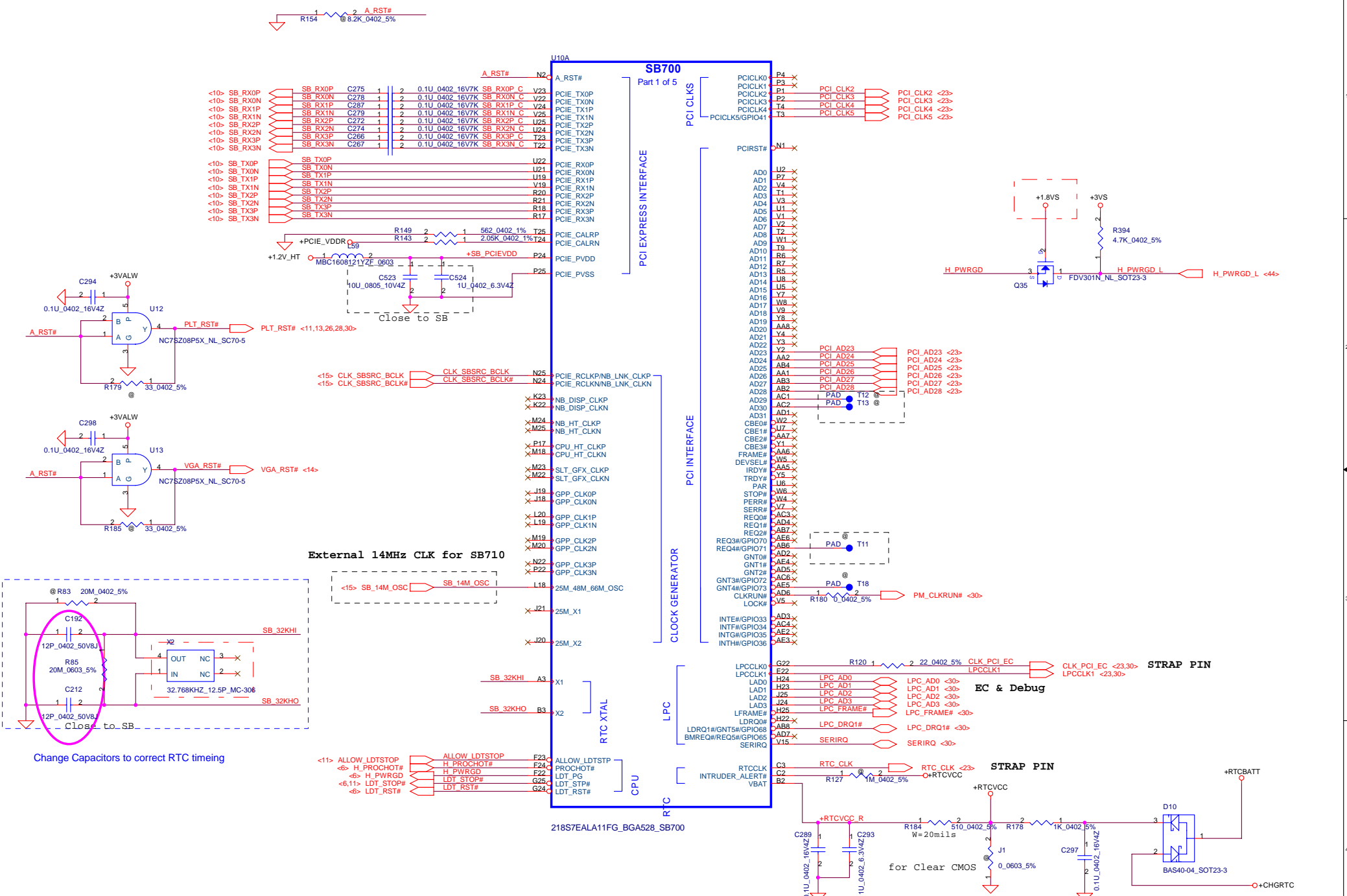


Place closed to chipset



Security Classification		Compal Secret Data	
Issued Date	2008/11/03	Deciphered Date	2009/11/03
THIS SHEET OF ENGINEERING DRAWING IS THE PROPRIETARY PROPERTY OF COMPAL ELECTRONICS, INC. AND CONTAINS CONFIDENTIAL AND TRADE SECRET INFORMATION. THIS SHEET MAY NOT BE TRANSFERRED FROM THE CUSTODY OF THE COMPETENT DIVISION OF R&D DEPARTMENT EXCEPT AS AUTHORIZED BY COMPAL ELECTRONICS, INC. NEITHER THIS SHEET NOR THE INFORMATION IT CONTAINS MAY BE USED BY OR DISCLOSED TO ANY THIRD PARTY WITHOUT PRIOR WRITTEN CONSENT OF COMPAL ELECTRONICS, INC.			

Compal Electronics, Inc.			
Title CRT Connector			
Size B	Document Number KBYF0 LA-5015P	Rev 0.3	
Date:	Tuesday, February 03, 2009	Sheet	18 of 46

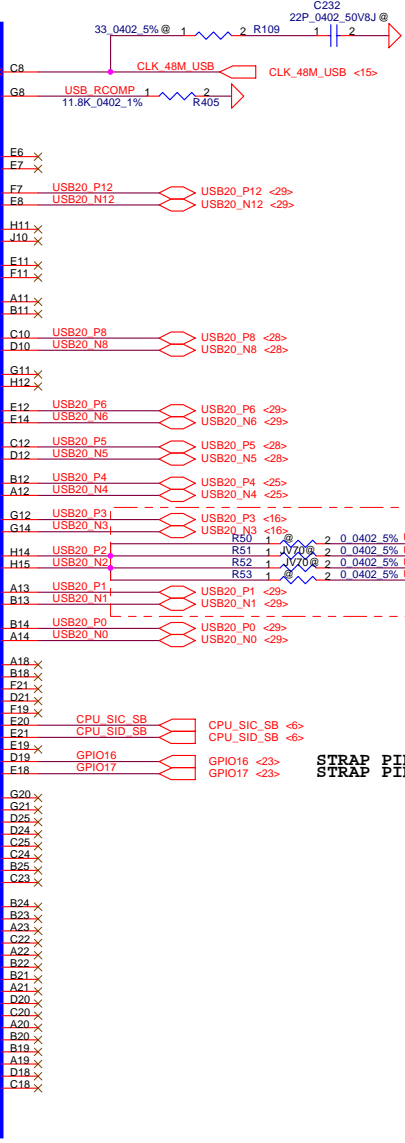
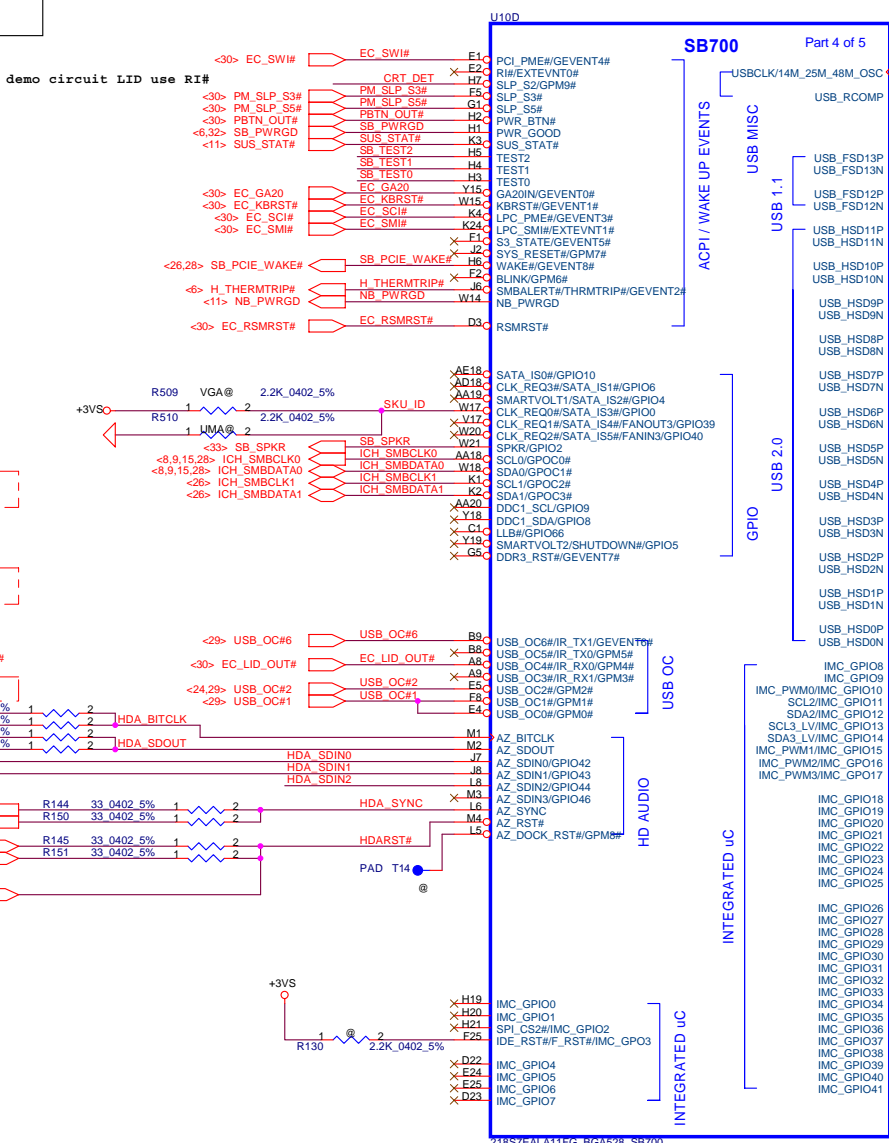
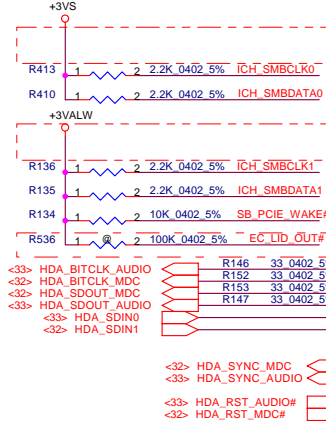
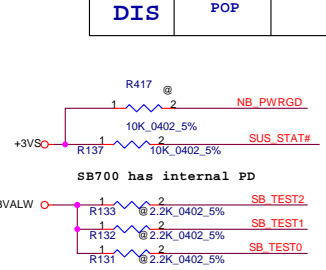


Security Classification	Compal Secret Data	
Issued Date	2008/11/03	Deciphered Date
		2009/11/03

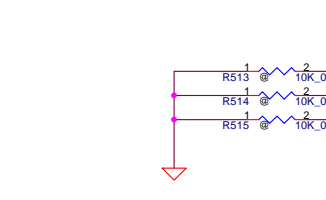
THIS SHEET OF ENGINEERING DRAWING IS THE PROPRIETARY PROPERTY OF COMPAL ELECTRONICS, INC. AND CONTAINS CONFIDENTIAL AND TRADE SECRET INFORMATION. THIS SHEET MAY NOT BE TRANSFERRED FROM THE CUSTODY OF THE COMPETENT DIVISION OF R&D DEPARTMENT EXCEPT AS AUTHORIZED BY COMPAL ELECTRONICS, INC. NEITHER THIS SHEET NOR THE INFORMATION IT CONTAINS MAY BE USED BY OR DISCLOSED TO ANY THIRD PARTY WITHOUT PRIOR WRITTEN CONSENT OF COMPAL ELECTRONICS, INC.

Compal Electronics, Inc.		
SB700-PCI/PCI/ACPI/LPC/RTC		
Size	Document Number	Rev
Custom	KB7F0 LA-5051P	0.3
Date:	Tuesday, February 03, 2009	Sheet 19 of 46

SKU-ID	R509	R510
UMA		POP
DIS	POP	



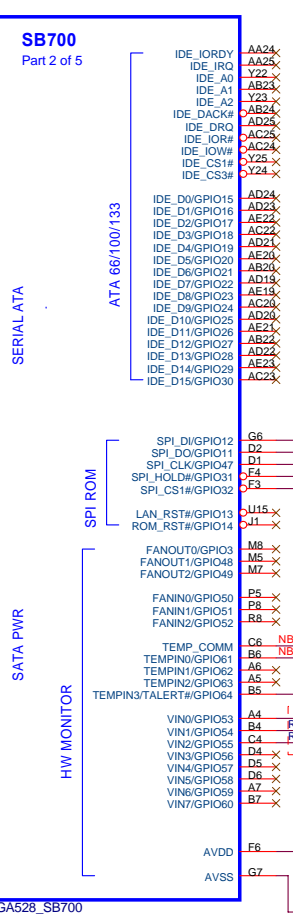
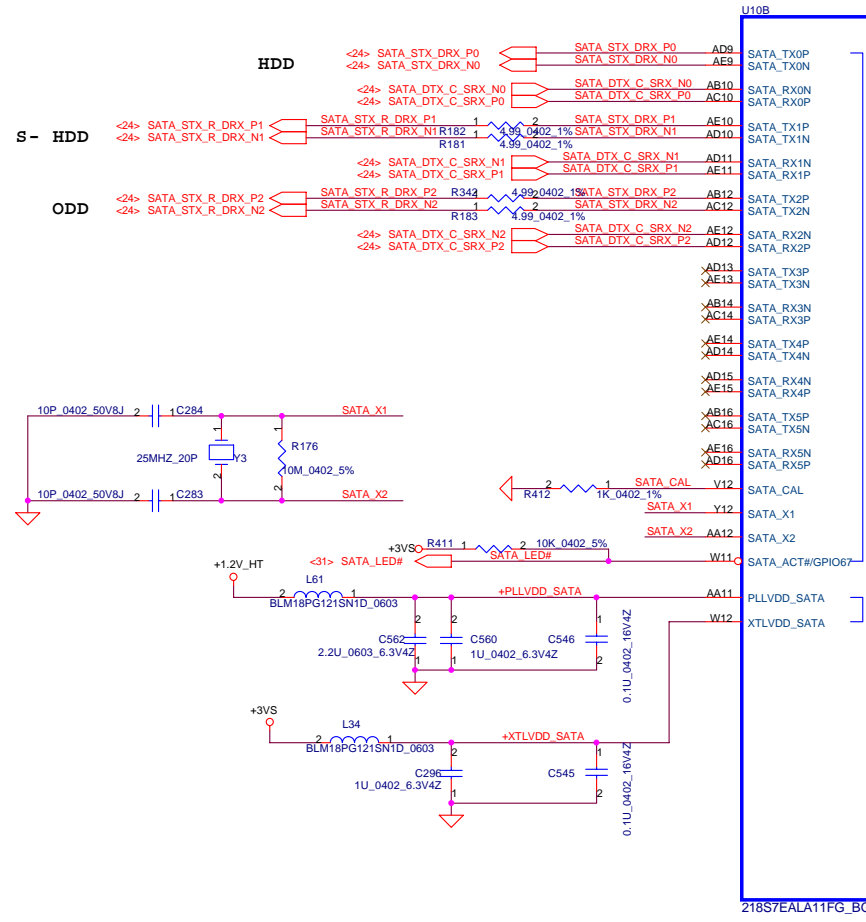
- USB-12 Bluetooth
- USB-8 MiniCard(WLAN)
- USB-6 HS-USB
- USB-5 MiniCard(TV)
- USB-4 Card Reader
- USB-3 USB Camera
- USB-2 USB (eSATA) for SJW70
Ext.USB/B for SJV70
- USB-1 Ext.USB/B
- USB-0 Ext.USB/B



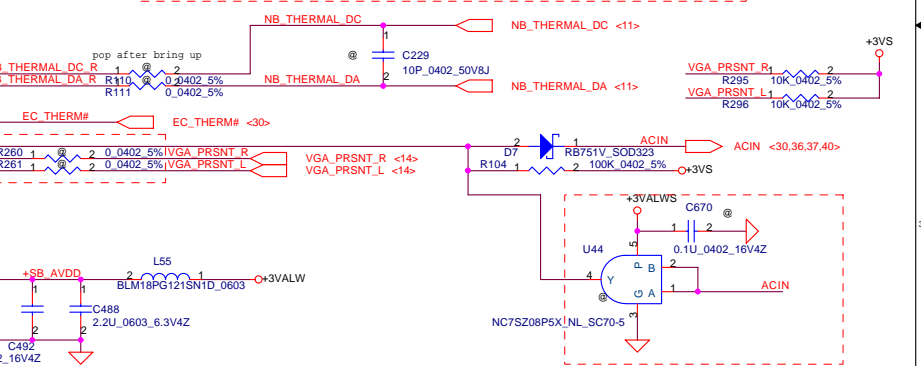
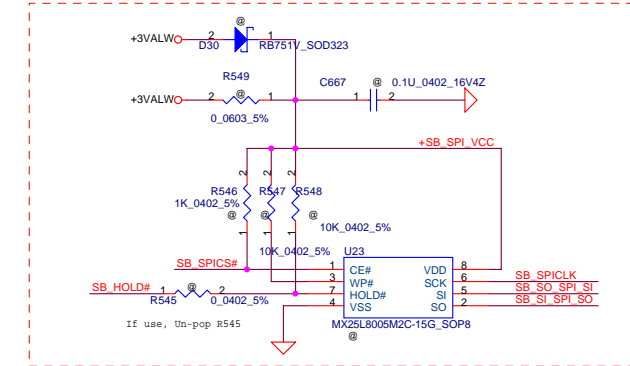
Security Classification	Compal Secret Data	
Issued Date	2008/11/03	Deciphered Date
		2009/11/03

Title			
Compal Electronics, Inc.			
SB700 USB/HD audio			
Size	Document Number	Rev	
Custom	KBYF0 LA-5051P	0.3	
Date:	Tuesday, February 03, 2009	Sheet	20 of 46

THIS SHEET OF ENGINEERING DRAWING IS THE PROPRIETARY PROPERTY OF COMPAL ELECTRONICS, INC. AND CONTAINS CONFIDENTIAL AND TRADE SECRET INFORMATION. THIS SHEET MAY NOT BE TRANSFERRED FROM THE CUSTODY OF THE COMPETENT DIVISION OF R&D DEPARTMENT EXCEPT AS AUTHORIZED BY COMPAL ELECTRONICS, INC. NEITHER THIS SHEET NOR THE INFORMATION IT CONTAINS MAY BE USED BY OR DISCLOSED TO ANY THIRD PARTY WITHOUT PRIOR WRITTEN CONSENT OF COMPAL ELECTRONICS, INC.



Port Number	Pri/SEC,Mas/Slave assignment	SATA drive controlled by
Port 0	Primary master	SATA controller
Port 1	Secondary master	SATA controller
Port 2	Primary slave	SATA controller
Port 3	Secondary slave	SATA controller
Port 4	Primary (Secondary) master	PATA controller
Port 5	Primary (Secondary) slave	PATA controller



Security Classification	Compal Secret Data	
Issued Date	2008/11/03	Deciphered Date
		2009/11/03

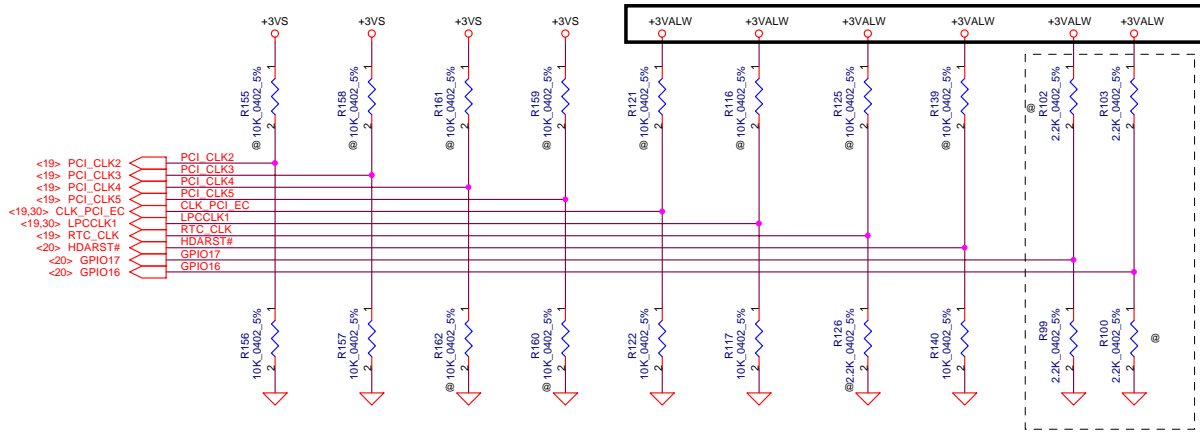
THIS SHEET OF ENGINEERING DRAWING IS THE PROPRIETARY PROPERTY OF COMPAL ELECTRONICS, INC. AND CONTAINS CONFIDENTIAL AND TRADE SECRET INFORMATION. THIS SHEET MAY NOT BE TRANSFERRED FROM THE CUSTODY OF THE COMPETENT DIVISION OF R&D DEPARTMENT EXCEPT AS AUTHORIZED BY COMPAL ELECTRONICS, INC. NEITHER THIS SHEET NOR THE INFORMATION IT CONTAINS MAY BE USED BY OR DISCLOSED TO ANY THIRD PARTY WITHOUT PRIOR WRITTEN CONSENT OF COMPAL ELECTRONICS, INC.

Title		Compal Electronics, Inc.	
		SB700 SATA/IDE/SPI	
Size	Document Number		Rev
Custom	KB7F0-1A-501P		0.3
Date:	Tuesday, February 03, 2009	Sheet	21 of 46

REQUIRED STRAPS

NOTE: SB700 HAS INTERNAL 15K PULL UP RESISTOR FOR RTC_CLK

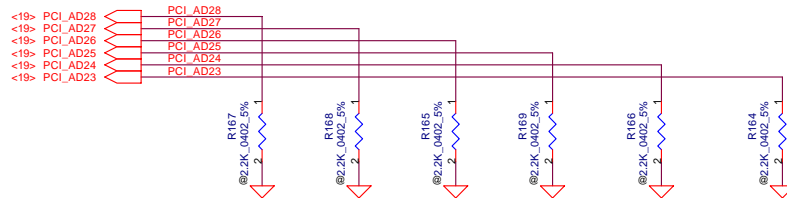
	PCI_CLK2 CLK_FCI_PCM	PCI_CLK3 CLK_FCI_DBG	PCI_CLK4	PCI_CLK5	LPC_CLK0 CLK_FCI_BC	LPC_CLK1	RTC_CLK	AZ_RST_CD#	GP17	GP16
PULL HIGH	BOOTFAIL TIMER ENABLED	USE DEBUG STRAPS	RESERVED	RESERVED	ENABLE PCI MEM BOOT	CLKGEN ENABLED	INTERNAL RTC DEFAULT	EC ENABLED	Internal pull up H,H = Reserved HL = SPI ROM	
PULL LOW	BOOTFAIL TIMER DISABLED DEFAULT	IGNORE DEBUG STRAPS DEFAULT			DISABLE PCI MEM BOOT DEFAULT	CLKGEN DISABLED DEFAULT	EXT. RTC (PD on X1, apply 32KHz to RTC_CLK)	EC DISABLED DEFAULT		L,H = LPC ROM (Default L,NC) LL = FWH ROM



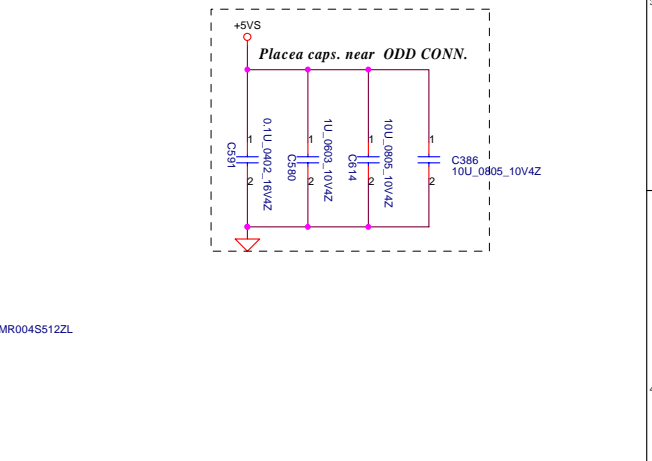
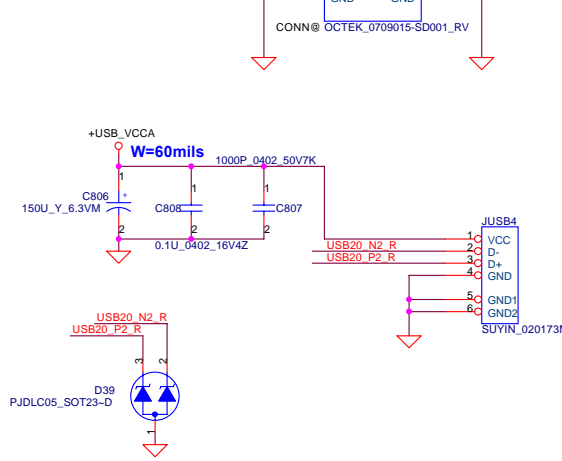
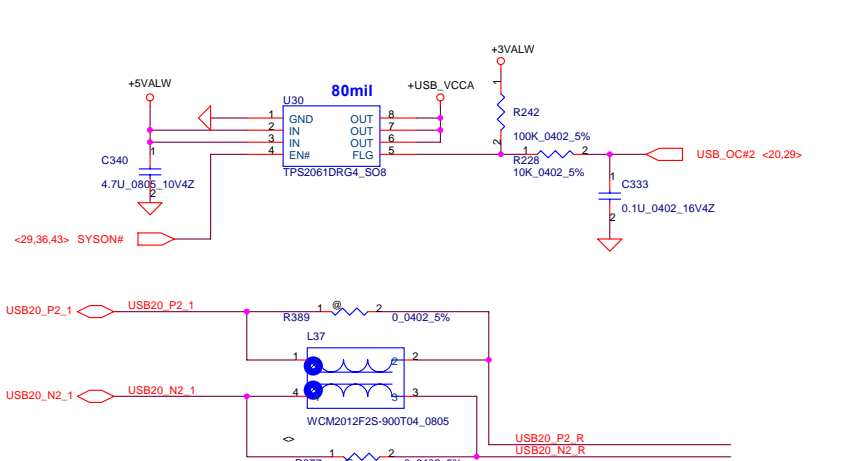
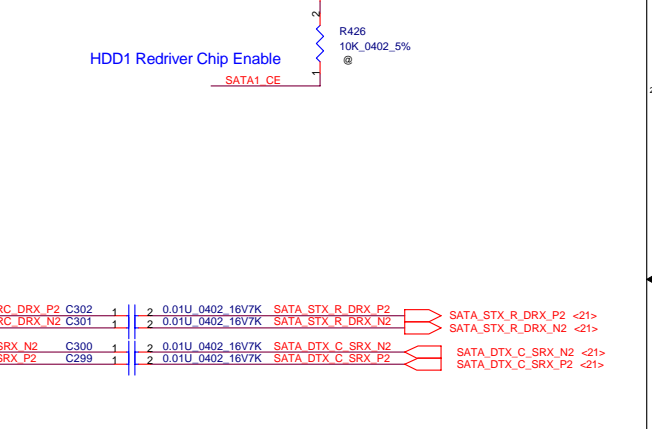
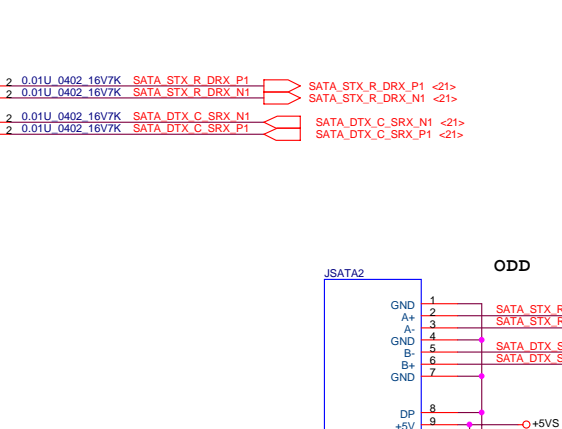
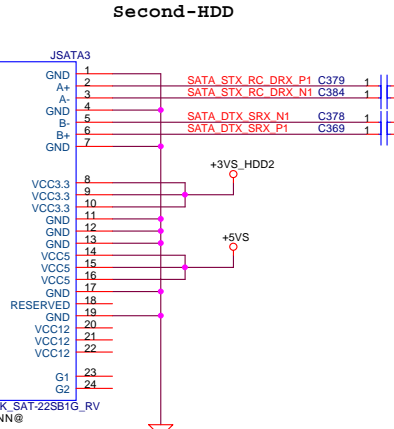
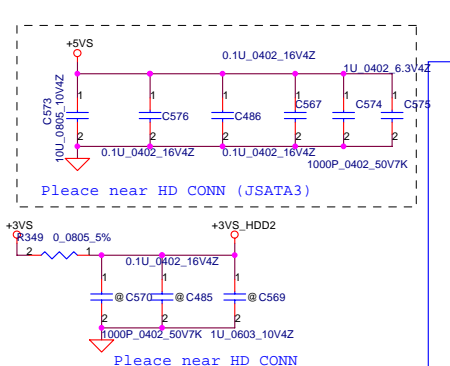
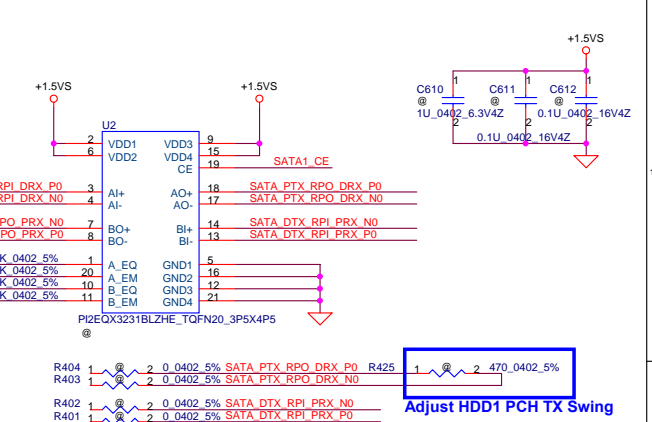
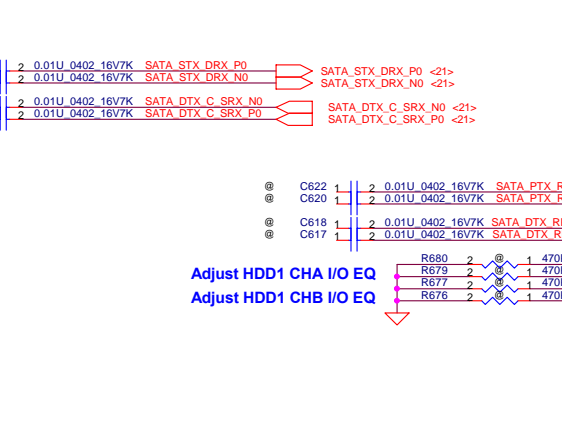
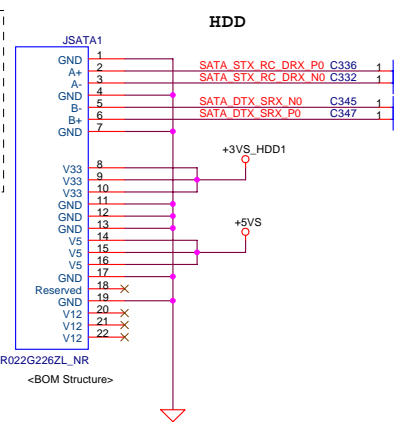
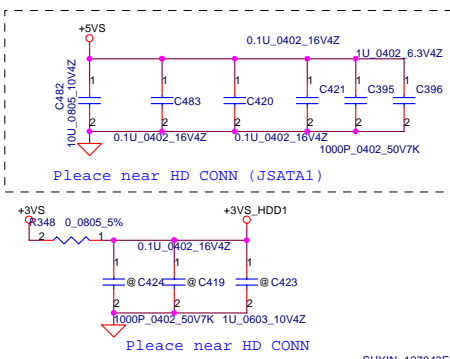
DEBUG STRAPS

SB700 HAS 15K INTERNAL PU FOR PCI_AD[28:23]

	PCI_AD28	PCI_AD27	PCI_AD26	PCI_AD25	PCI_AD24	PCI_AD23
PULL HIGH	USE LONG RESET DEFAULT	USE PCI PLL DEFAULT	USE ACPI BCLK DEFAULT	USE IDE PLL DEFAULT	USE DEFAULT PCIE STRAPS DEFAULT	RESERVED
PULL LOW	USE SHORT RESET	BYPASS PCI PLL	BYPASS ACPI BCLK	BYPASS IDE PLL	USE EEPROM PCIE STRAPS	



Security Classification	Compal Secret Data			Title SB700 STRAPS Compal Electronics, Inc.				
Issued Date	2008/11/03	Deciphered Date	2009/11/03					
THIS SHEET OF ENGINEERING DRAWING IS THE PROPRIETARY PROPERTY OF COMPAL ELECTRONICS, INC. AND CONTAINS CONFIDENTIAL AND TRADE SECRET INFORMATION. THIS SHEET MAY NOT BE TRANSFERRED FROM THE CUSTODY OF THE COMPETENT DIVISION OF R&D DEPARTMENT EXCEPT AS AUTHORIZED BY COMPAL ELECTRONICS, INC. NEITHER THIS SHEET NOR THE INFORMATION IT CONTAINS MAY BE USED BY OR DISCLOSED TO ANY THIRD PARTY WITHOUT PRIOR WRITTEN CONSENT OF COMPAL ELECTRONICS, INC.						Size Custom	Document Number KBV0 LA-5051P	Rev 0.3
						Date:	Tuesday, February 03, 2009	Sheet 23 of 46

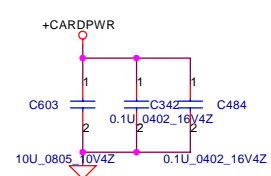
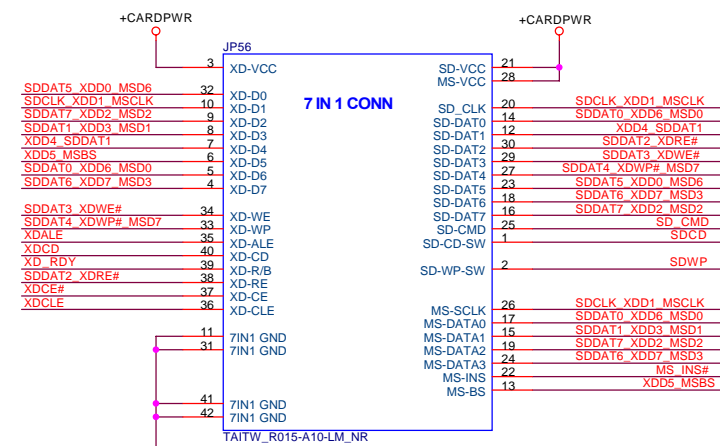
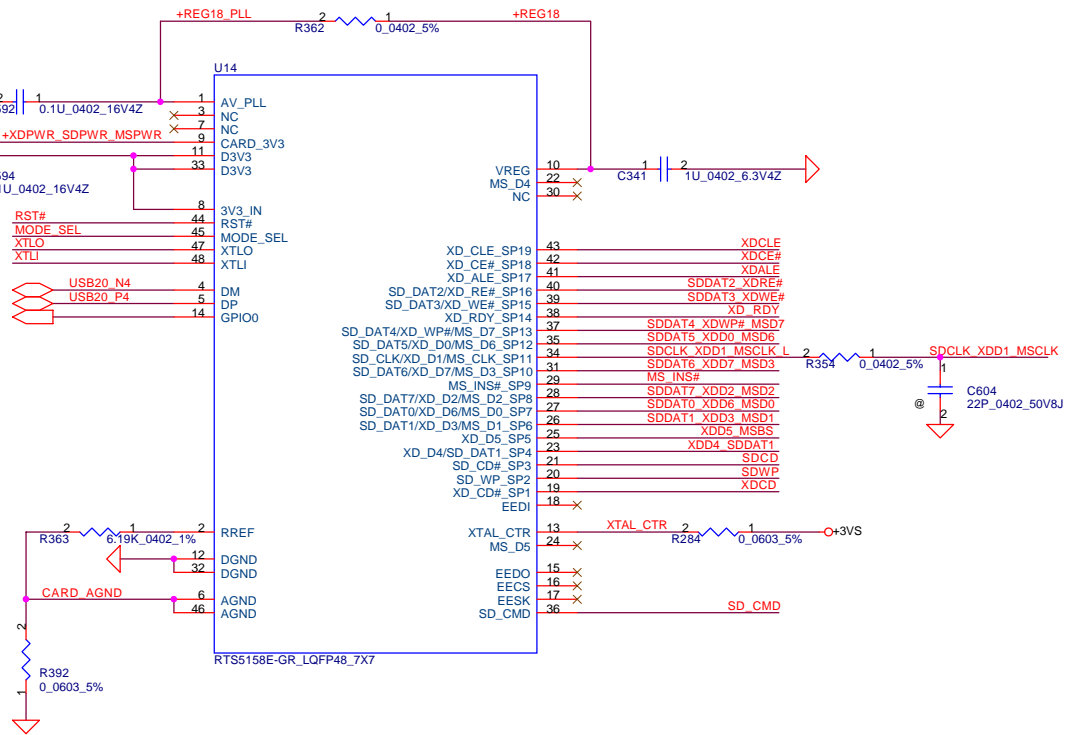
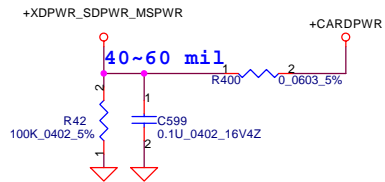
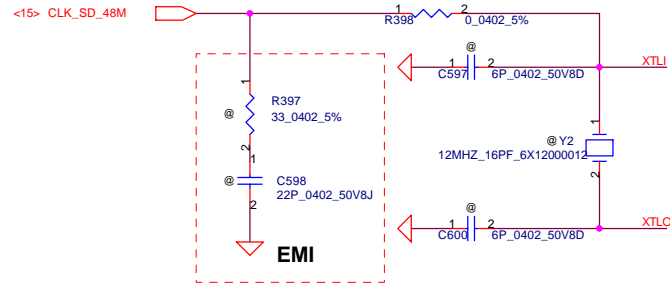
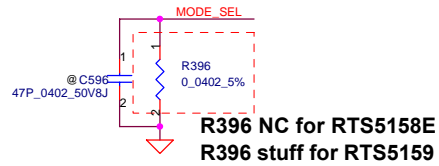
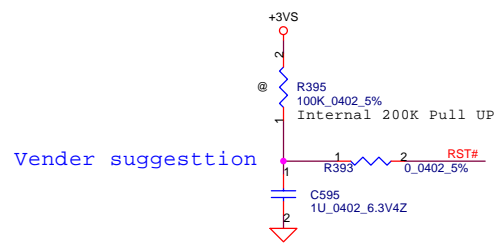


Security Classification	Compal Secret Data	
Issued Date	2008/11/03	Deciphered Date
		2009/11/03

THIS SHEET OF ENGINEERING DRAWING IS THE PROPRIETARY PROPERTY OF COMPAL ELECTRONICS, INC. AND CONTAINS CONFIDENTIAL AND TRADE SECRET INFORMATION. THIS SHEET MAY NOT BE TRANSFERRED FROM THE CUSTODY OF THE COMPETENT DIVISION OF R&D DEPARTMENT EXCEPT AS AUTHORIZED BY COMPAL ELECTRONICS, INC. NEITHER THIS SHEET NOR THE INFORMATION IT CONTAINS MAY BE USED BY OR DISCLOSED TO ANY THIRD PARTY WITHOUT PRIOR WRITTEN CONSENT OF COMPAL ELECTRONICS, INC.

Compal Electronics, Inc.			
Title			
HDD & ODD Connector			
Size	Document Number	Rev	
B	KBYF0 LA-5051P	0.3	
Date:	Tuesday, February 03, 2009	Sheet	24 of 46

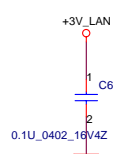
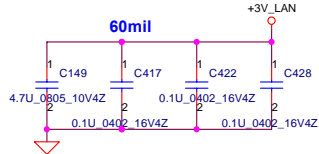
Vender suggestion



Security Classification		Compal Secret Data		Compal Electronics, Inc.	
Issued Date	2008/11/03	Deciphered Date	2009/11/03	Title	
THIS SHEET OF ENGINEERING DRAWING IS THE PROPRIETARY PROPERTY OF COMPAL ELECTRONICS, INC. AND CONTAINS CONFIDENTIAL AND TRADE SECRET INFORMATION. THIS SHEET MAY NOT BE TRANSFERRED FROM THE CUSTODY OF THE COMPETENT DIVISION OF R&D DEPARTMENT EXCEPT AS AUTHORIZED BY COMPAL ELECTRONICS, INC. NEITHER THIS SHEET NOR THE INFORMATION IT CONTAINS MAY BE USED BY OR DISCLOSED TO ANY THIRD PARTY WITHOUT PRIOR WRITTEN CONSENT OF COMPAL ELECTRONICS, INC.				Card Reader JMB385	
Size	Document Number	Customer		Rev	
	KBYFO LA-5051P			0.3	
Date:	Tuesday, February 03, 2009	Sheet	25	of	46

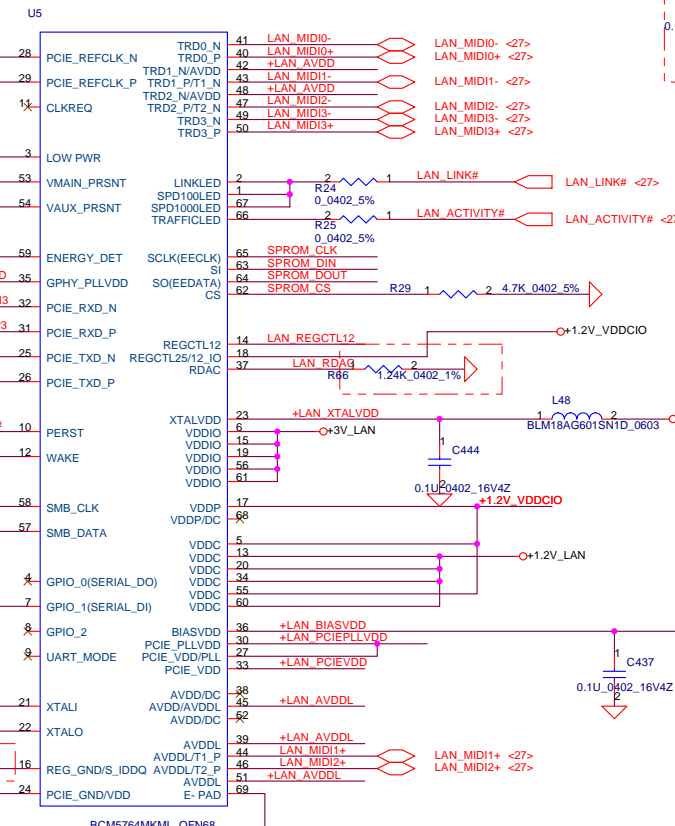
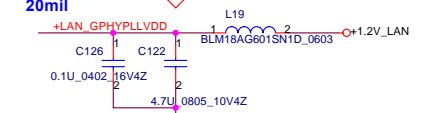
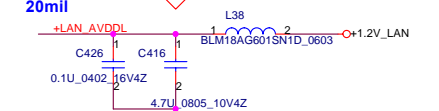
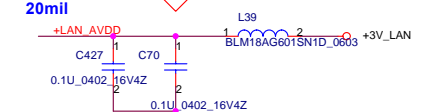
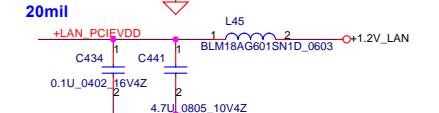
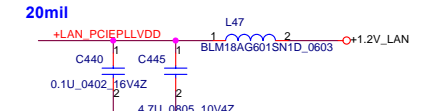
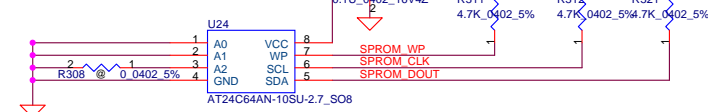
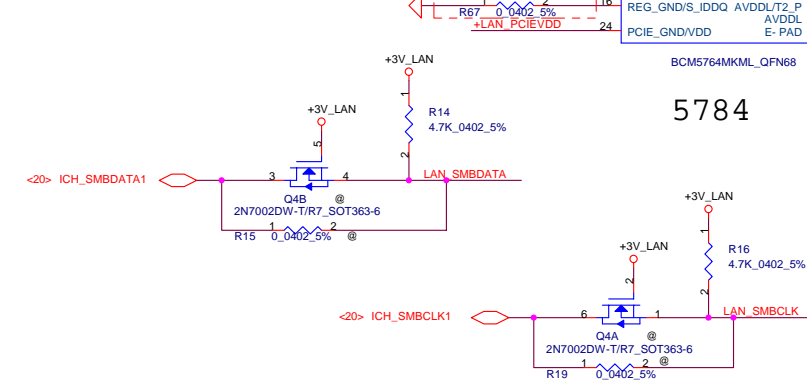
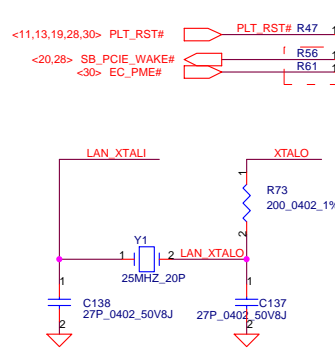
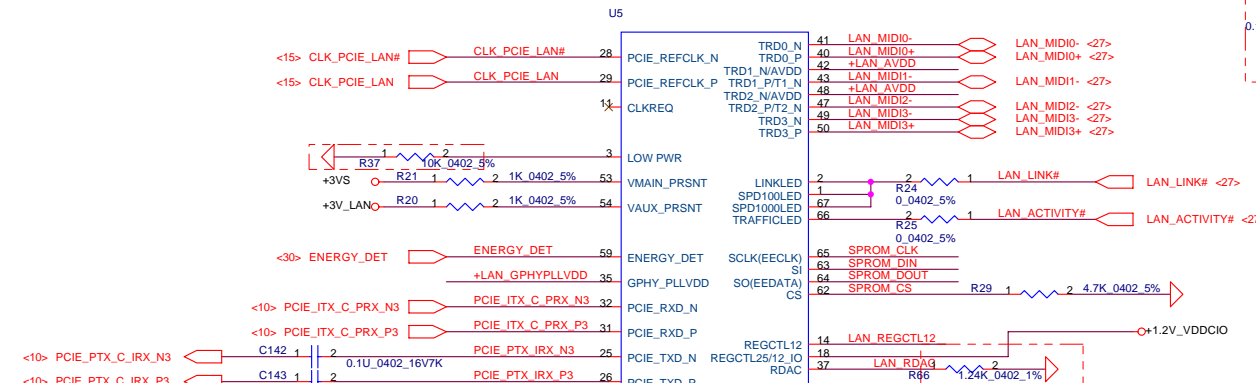
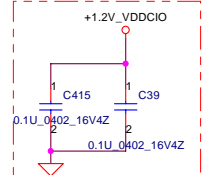
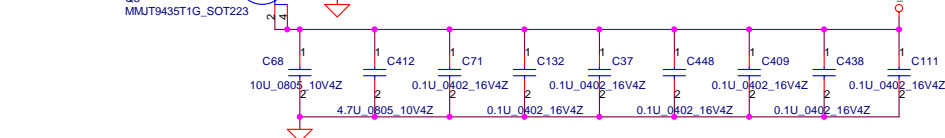
+3VALW0 R77 0.1206_5% +3V_LAN

+3V_LAN R60 4.7K_0402_5% LAN_PME#



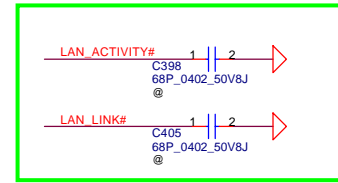
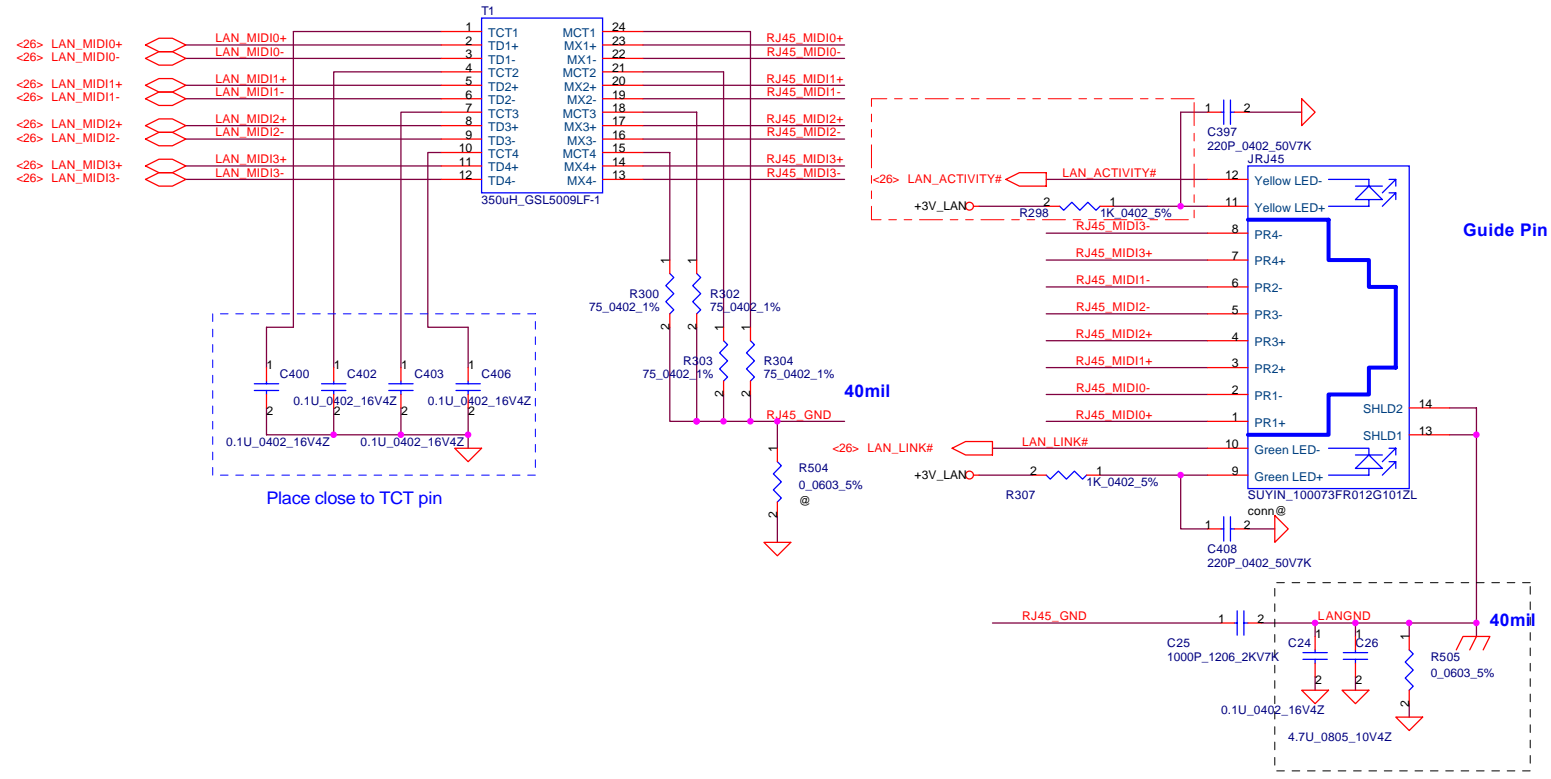
+3V_LAN R309 1.206_1% R12 1.206_1%

LAN_REGCTL12 Q3 MMJT9435T1G_SOT223



5784

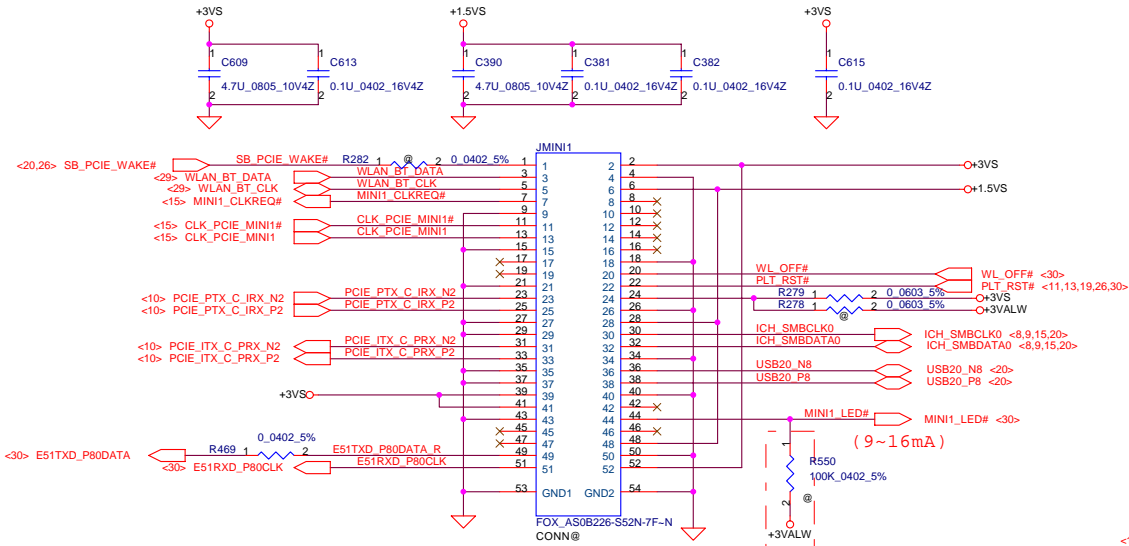
Security Classification		Compal Secret Data		Compal Electronics, Inc.	
Issued Date	2008/11/03	Deciphered Date	2009/11/03	Title	BCM5764M_5787M
THIS SHEET OF ENGINEERING DRAWING IS THE PROPRIETARY PROPERTY OF COMPAL ELECTRONICS, INC. AND CONTAINS CONFIDENTIAL AND TRADE SECRET INFORMATION. THIS SHEET MAY NOT BE TRANSFERRED FROM THE CUSTODY OF THE COMPETENT DIVISION OF R&D DEPARTMENT EXCEPT AS AUTHORIZED BY COMPAL ELECTRONICS, INC. NEITHER THIS SHEET NOR THE INFORMATION IT CONTAINS MAY BE USED BY OR DISCLOSED TO ANY THIRD PARTY WITHOUT PRIOR WRITTEN CONSENT OF COMPAL ELECTRONICS, INC.					
Size	Document Number	Rev			
Custom	KBYF0 LA-5051P	0.3			
Date:	Tuesday, February 03, 2009	Sheet	26	of	46



For EMI

Security Classification		Compal Secret Data		Compal Electronics, Inc.	
Issued Date	2008/11/03	Deciphered Date	2009/11/03	Title	
THIS SHEET OF ENGINEERING DRAWING IS THE PROPRIETARY PROPERTY OF COMPAL ELECTRONICS, INC. AND CONTAINS CONFIDENTIAL AND TRADE SECRET INFORMATION. THIS SHEET MAY NOT BE TRANSFERRED FROM THE CUSTODY OF THE COMPETENT DIVISION OF R&D DEPARTMENT EXCEPT AS AUTHORIZED BY COMPAL ELECTRONICS, INC. NEITHER THIS SHEET NOR THE INFORMATION IT CONTAINS MAY BE USED BY OR DISCLOSED TO ANY THIRD PARTY WITHOUT PRIOR WRITTEN CONSENT OF COMPAL ELECTRONICS, INC.				LAN Magnetic & RJ45/RJ11	
Size	Document Number			Rev	
B	KBYF0 LA-5051P			0.3	
Date:	Tuesday, February 03, 2009	Sheet	27	of 46	

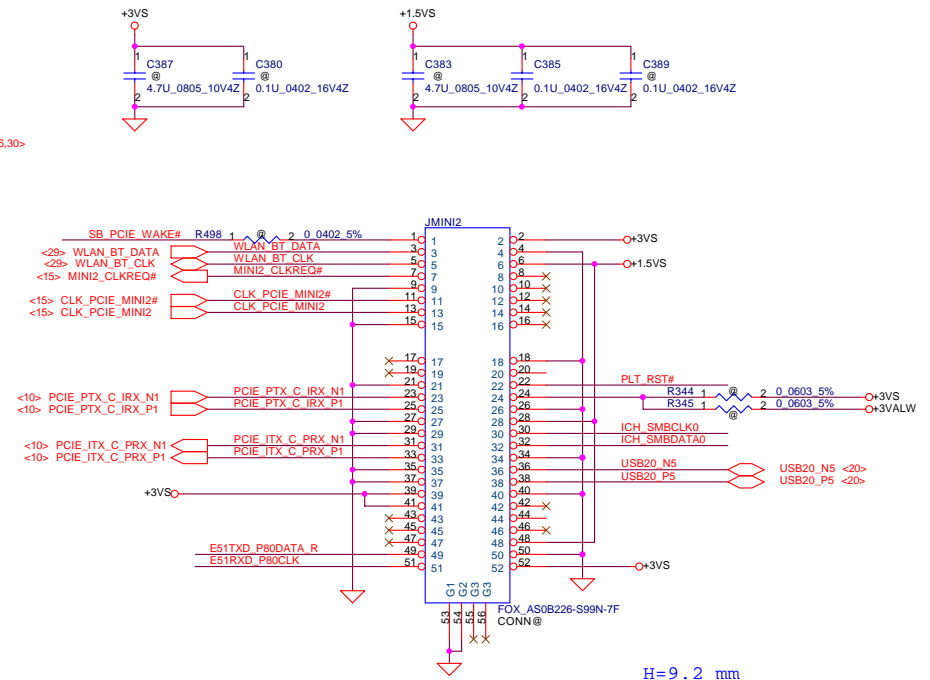
For Wireless LAN



H=5.2 mm

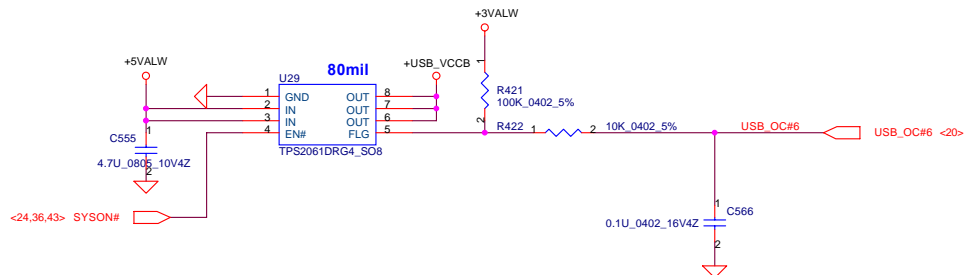
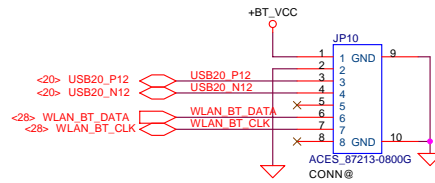
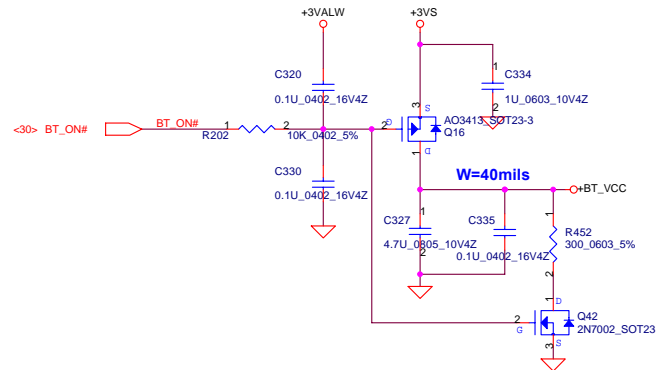
Mini Card Power Rating			
Power	Primary Power (mA)		Auxiliary Power (mA)
	Peak	Normal	Normal
+3VS	1000	750	
+3V	330	250	250 (wake enable)
+1.5VS	500	375	5 (Not wake enable)

For TV-Tuner/HW MPEG

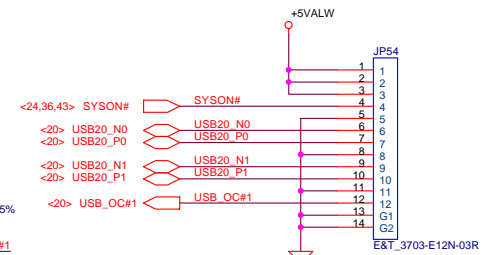


H=9.2 mm

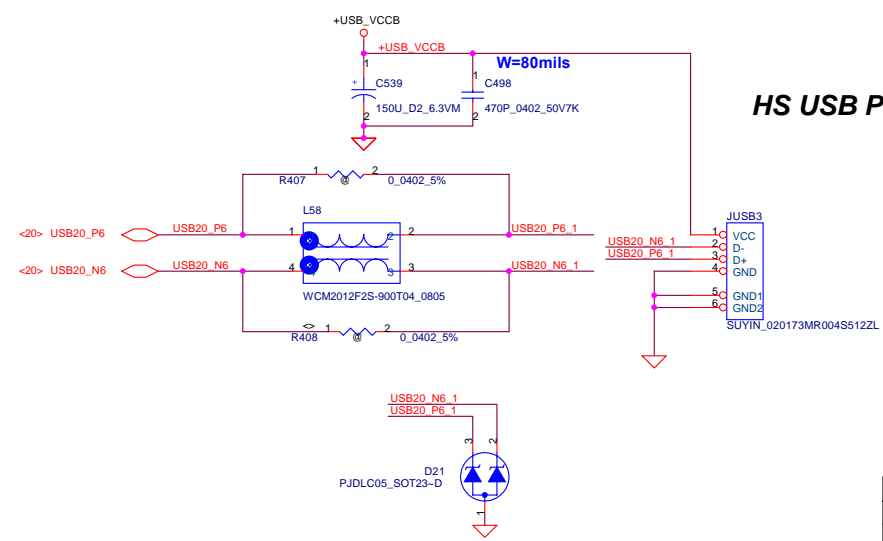
Bluetooth Conn.



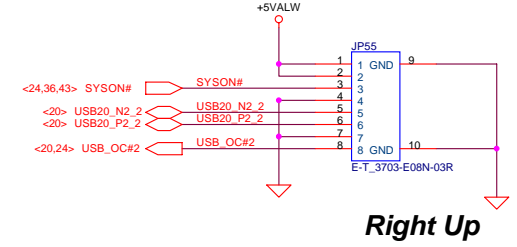
2 PORT



HS USB PORT

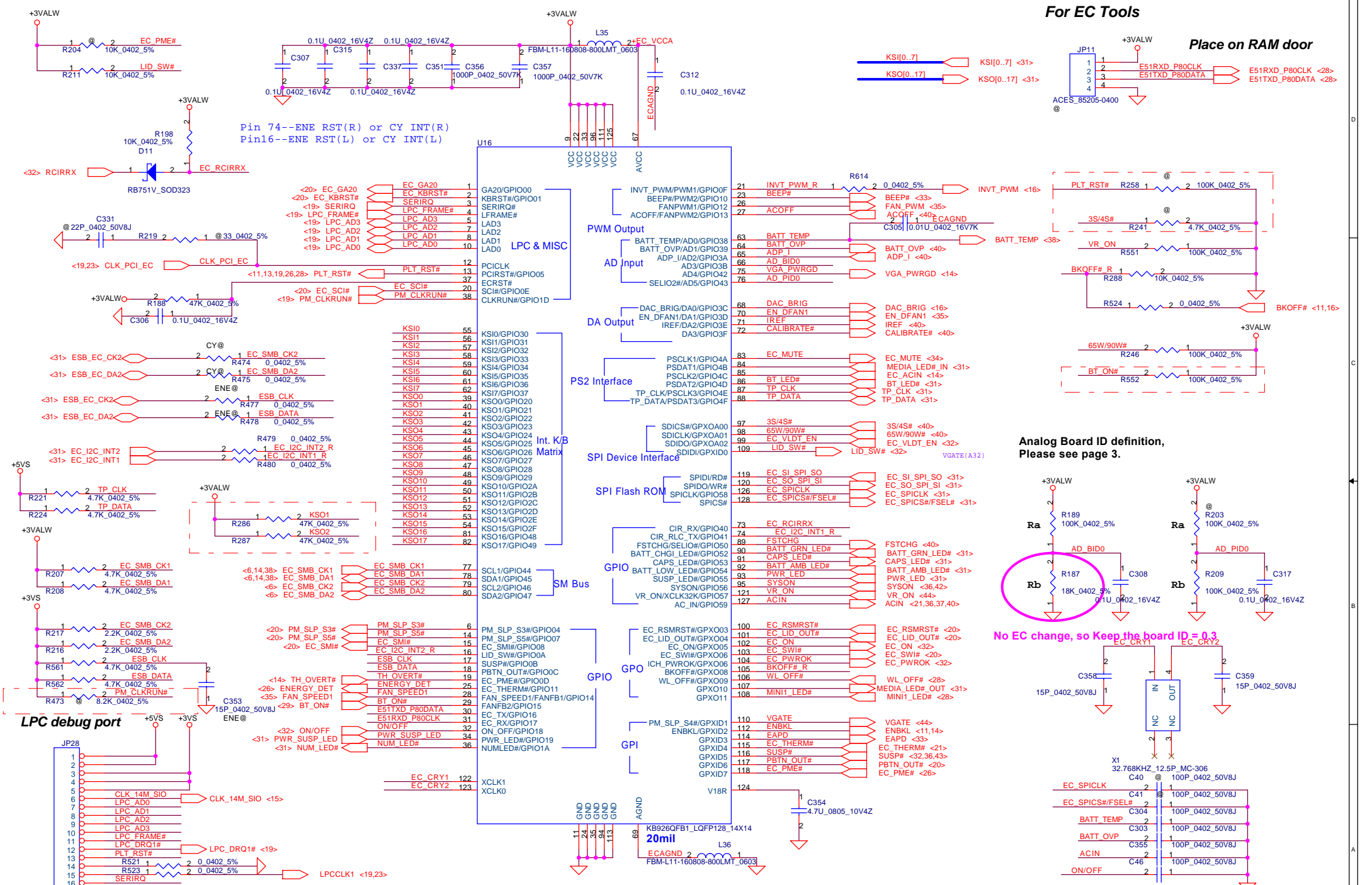


1 PORT FOR JV70

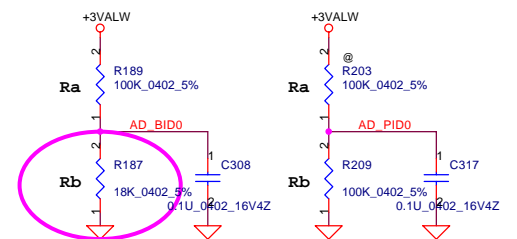


Right Up

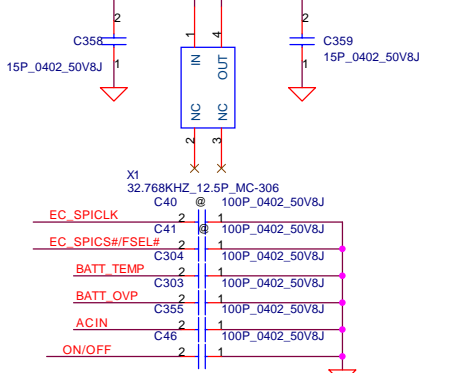
Security Classification		Compal Secret Data		Title	
Issued Date	2008/11/03	Deciphered Date	2009/11/03	NEW CARD & USB Connector	
THIS SHEET OF ENGINEERING DRAWING IS THE PROPRIETARY PROPERTY OF COMPAL ELECTRONICS, INC. AND CONTAINS CONFIDENTIAL AND TRADE SECRET INFORMATION. THIS SHEET MAY NOT BE TRANSFERRED FROM THE CUSTODY OF THE COMPETENT DIVISION OF R&D DEPARTMENT EXCEPT AS AUTHORIZED BY COMPAL ELECTRONICS, INC. NEITHER THIS SHEET NOR THE INFORMATION IT CONTAINS MAY BE USED BY OR DISCLOSED TO ANY THIRD PARTY WITHOUT PRIOR WRITTEN CONSENT OF COMPAL ELECTRONICS, INC.				Size B	Document Number KBYF0 LA-5051P
				Date: Tuesday, February 03, 2009	Sheet 29 of 46



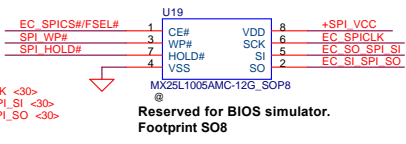
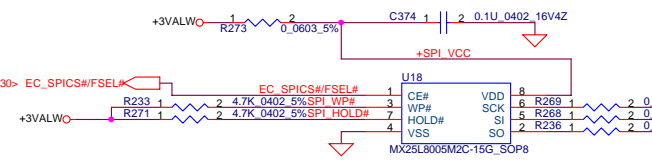
Analog Board ID definition, Please see page 3.



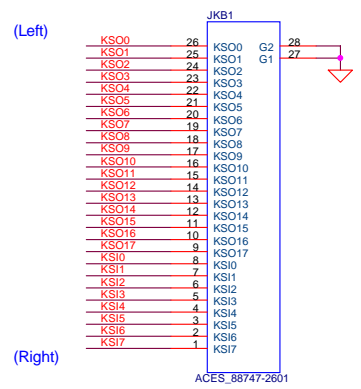
No EC change, so Keep the board ID = 0.3



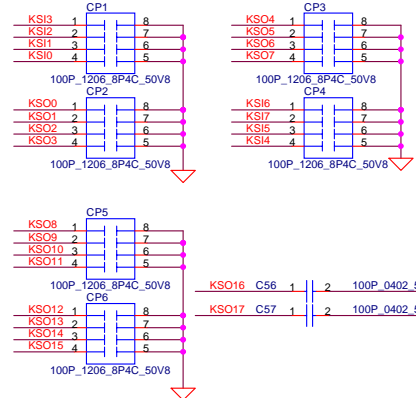
Security Classification		Compal Secret Data		Compal Electronics, Inc.	
Issued Date	2008/11/03	Deciphered Date	2009/11/03	Title	
THIS SHEET OF ENGINEERING DRAWING IS THE PROPRIETARY PROPERTY OF COMPAL ELECTRONICS, INC. AND CONTAINS CONFIDENTIAL AND TRADE SECRET INFORMATION. THIS SHEET MAY NOT BE TRANSFERRED FROM THE CUSTODY OF THE COMPETENT DIVISION OF R&D DEPARTMENT EXCEPT AS AUTHORIZED BY COMPAL ELECTRONICS, INC. NEITHER THIS SHEET NOR THE INFORMATION IT CONTAINS MAY BE USED BY OR DISCLOSED TO ANY THIRD PARTY WITHOUT PRIOR WRITTEN CONSENT OF COMPAL ELECTRONICS, INC.				EC ENE KB926	
Size	Document Number	Rev		Date	
B	KBYFO LA-5051P	0.3		Tuesday, February 03, 2009	
				Sheet	30 of 46



INT_KBD Conn.

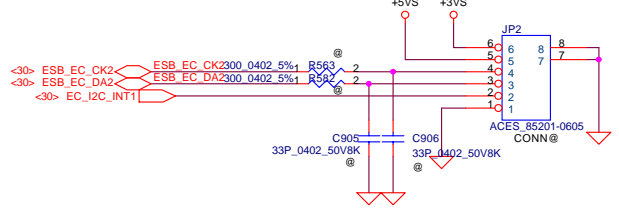


For EMI

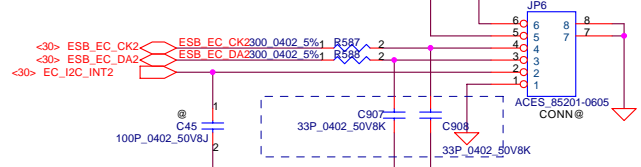


To Media/B Conn.

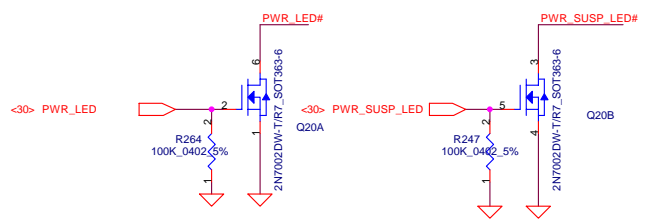
CAP Sensor right JM70



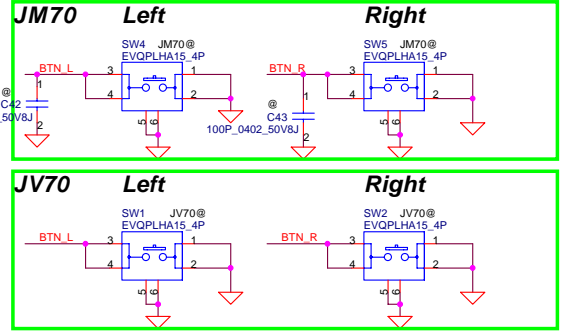
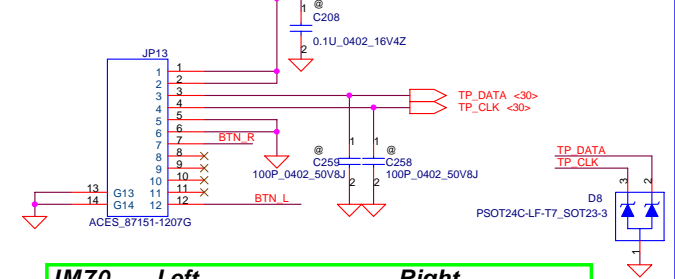
CAP Sensor left for JM70



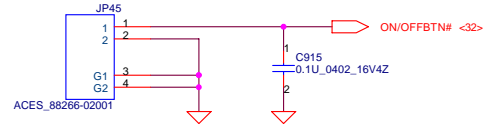
CAP Sensor up for JV70



To TP/B Conn.

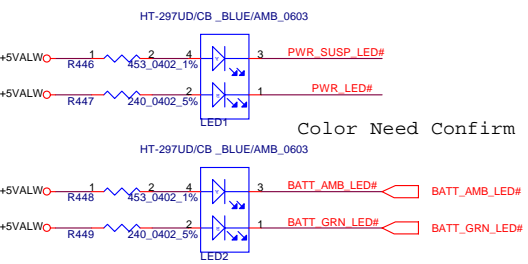
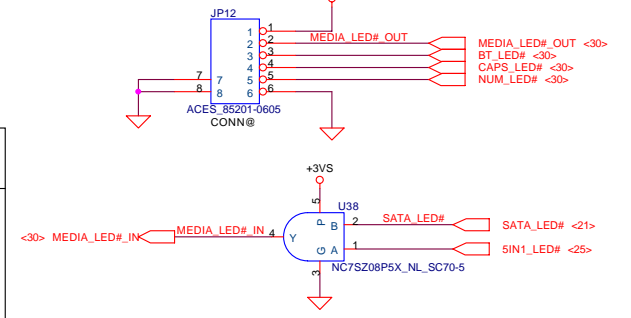


TO POWER BTN/B for JV70

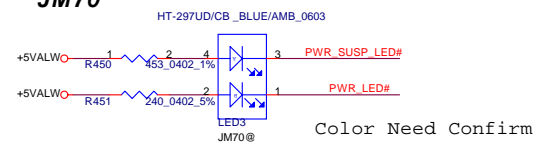


Need Check

To LED/B Conn.



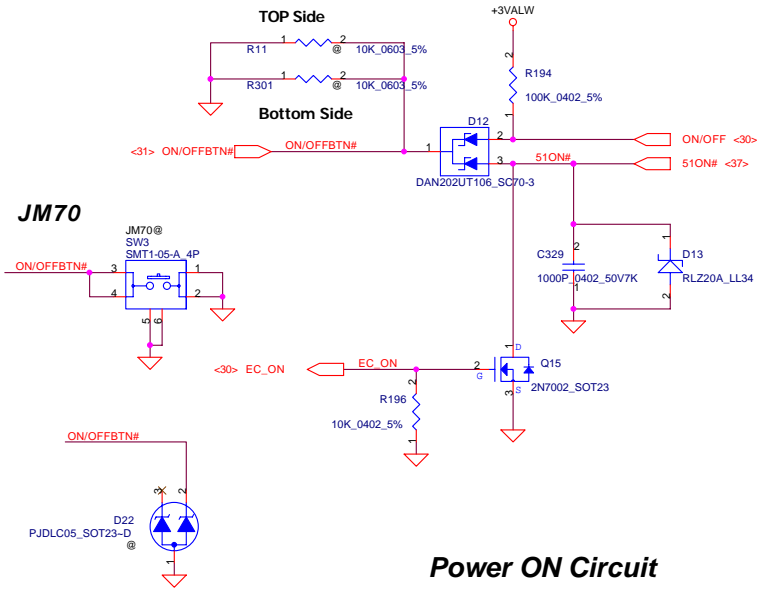
JM70



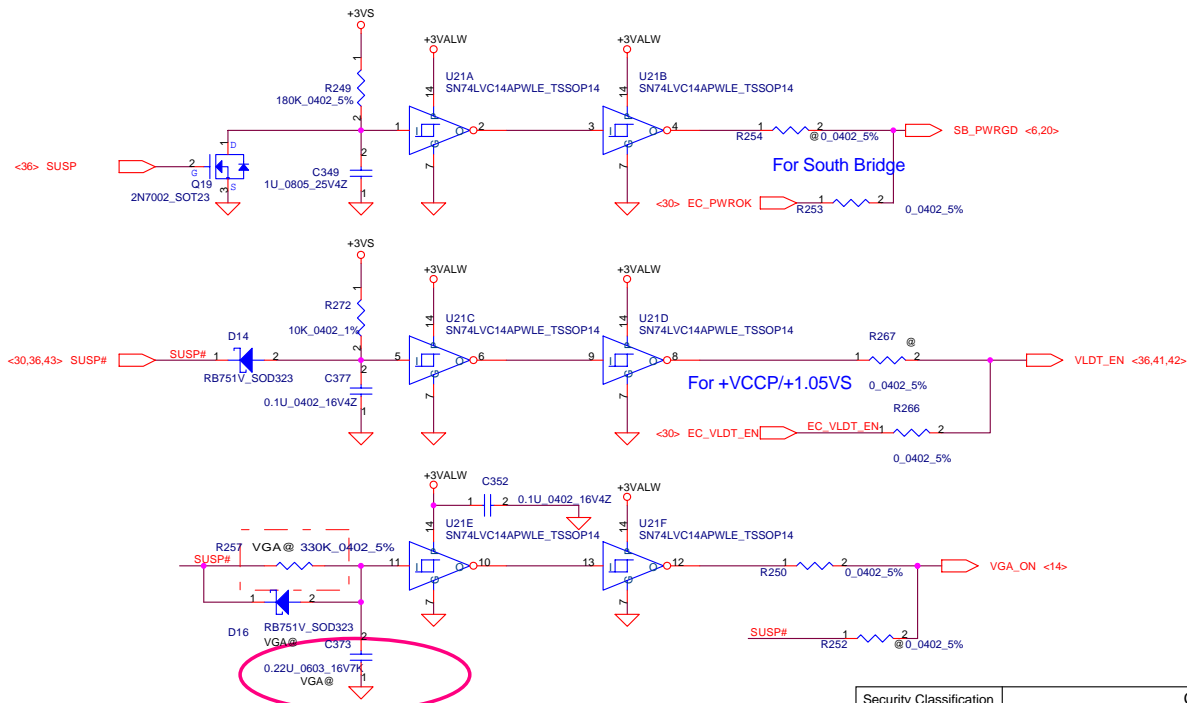
	JM70	JV70
1.	HDD	HDD
2.	BT_LED	BT_LED
3.	CAP_LED	NUM_LED
4.	NUM_LED	CAP_LED

Power Button

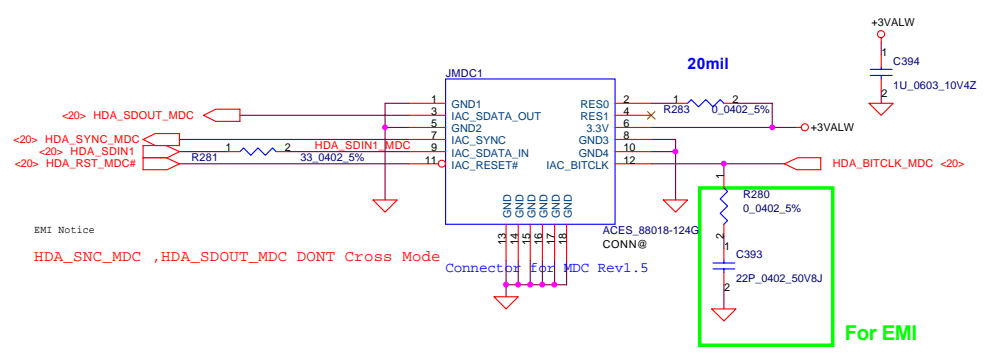
ON/OFF switch



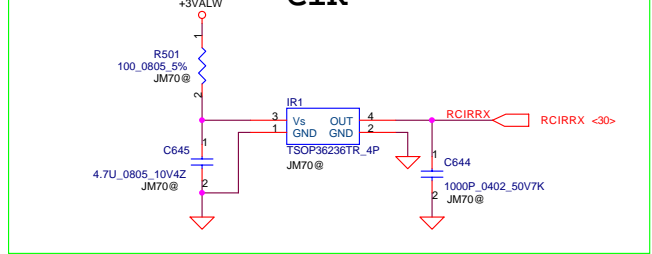
Power ON Circuit



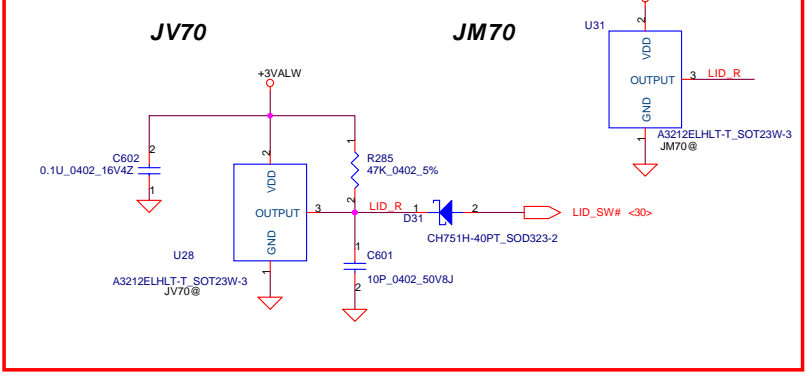
HDA MDC Conn.



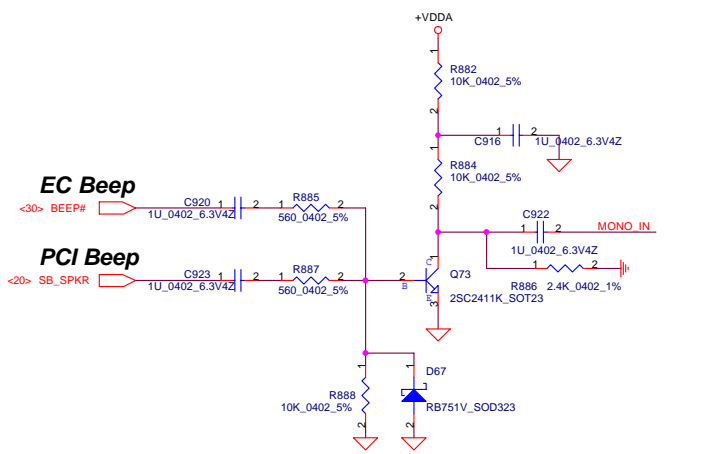
JM70 CIR



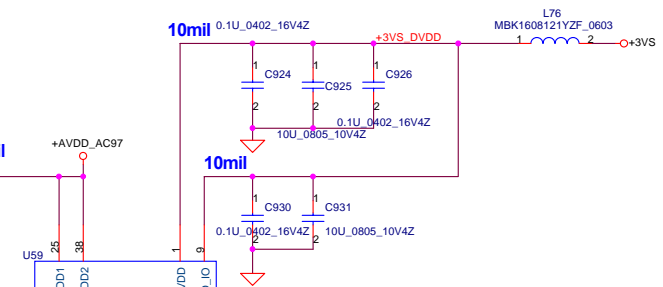
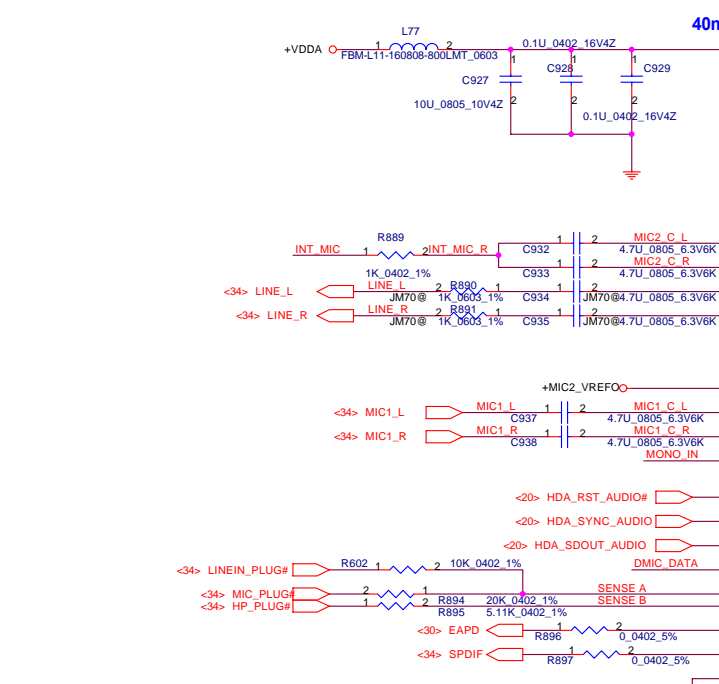
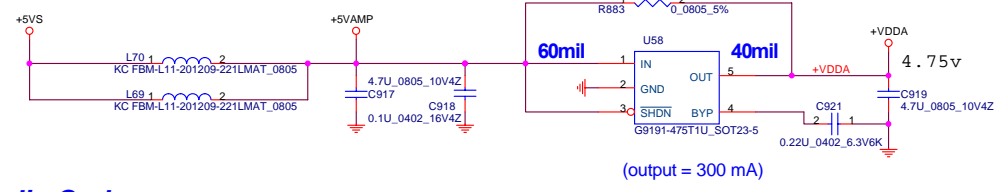
Lid Switch (Hall Effect Switch)



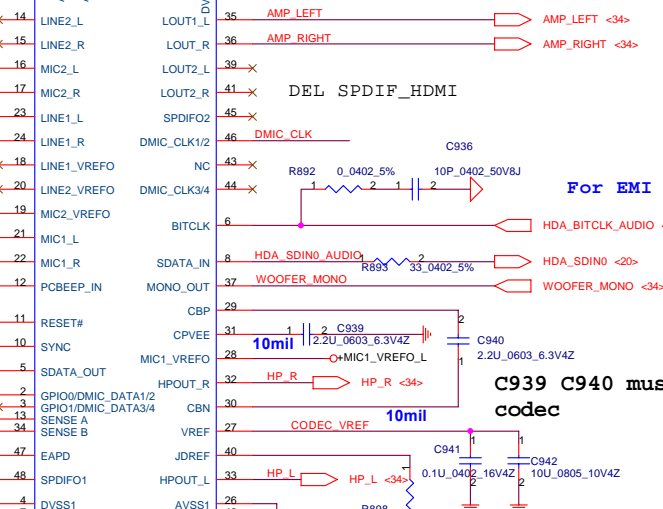
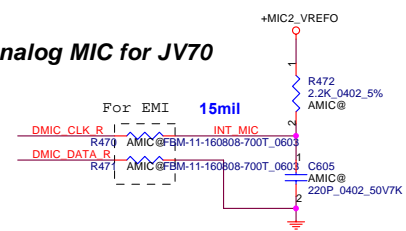
Security Classification		Compal Secret Data		Title	
Issued Date	2008/11/03	Deciphered Date	2009/11/03	Power OK, Reset and RTC Circuit, TP	
THIS SHEET OF ENGINEERING DRAWING IS THE PROPRIETARY PROPERTY OF COMPAL ELECTRONICS, INC. AND CONTAINS CONFIDENTIAL AND TRADE SECRET INFORMATION. THIS SHEET MAY NOT BE TRANSFERRED FROM THE CUSTODY OF THE COMPETENT DIVISION OF R&D DEPARTMENT EXCEPT AS AUTHORIZED BY COMPAL ELECTRONICS, INC. NEITHER THIS SHEET NOR THE INFORMATION IT CONTAINS MAY BE USED BY OR DISCLOSED TO ANY THIRD PARTY WITHOUT PRIOR WRITTEN CONSENT OF COMPAL ELECTRONICS, INC.				Size B	Document Number
				KBYF0 LA-5051P	
				Date:	Tuesday, February 03, 2009
				Sheet	32 of 46



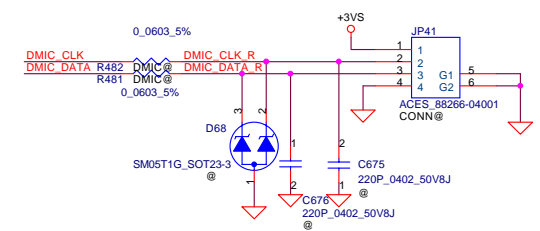
HD Audio Codec



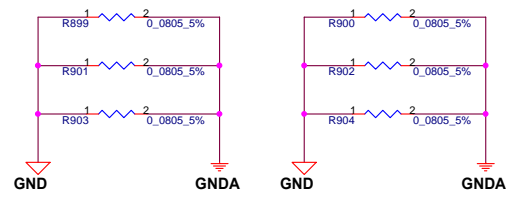
Analog MIC for JV70



Digital MIC for JM70 DMIC Conn.

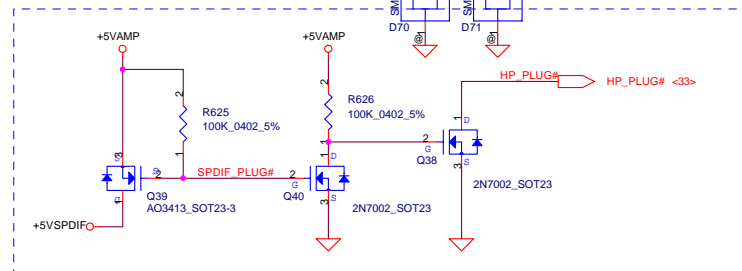
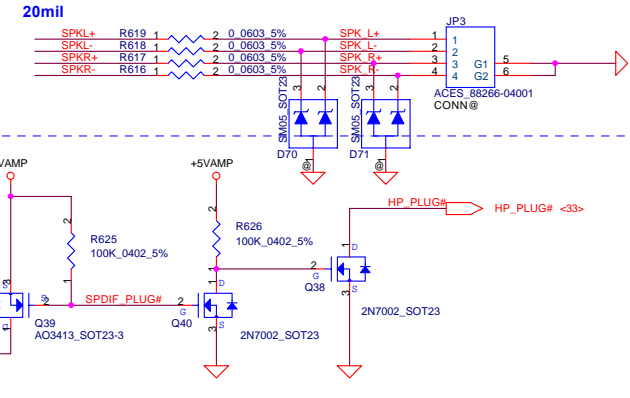
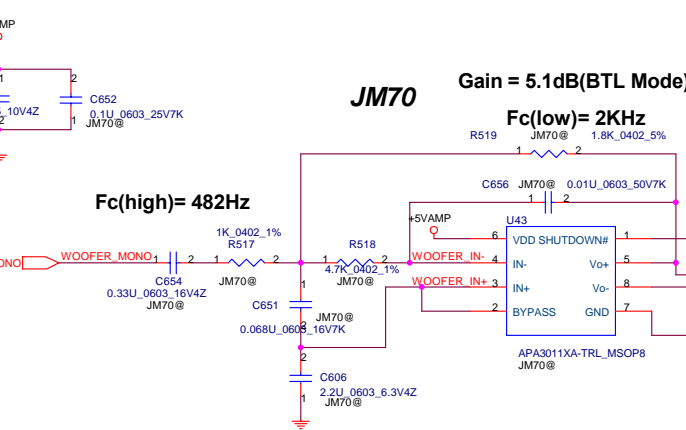
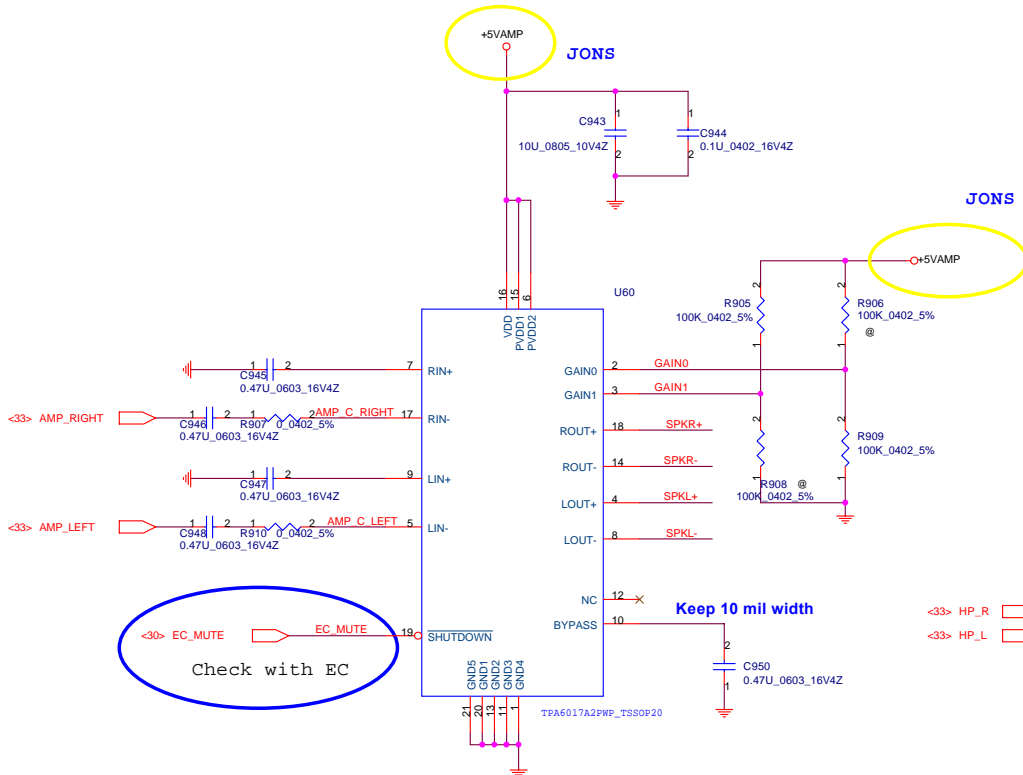


Sense Pin	Impedance	Codec Signals
SENSE A	39.2K	PORT-A (PIN 39, 41)
	20K	PORT-B (PIN 21, 22)
	10K	PORT-C (PIN 23, 24)
	5.1K	PORT-D (PIN 35, 36)
SENSE B	39.2K	PORT-E (PIN 14, 15)
	20K	PORT-F (PIN 16, 17)
	10K	PORT-G (PIN 43, 44)
	5.1K	PORT-H (PIN 45, 46)



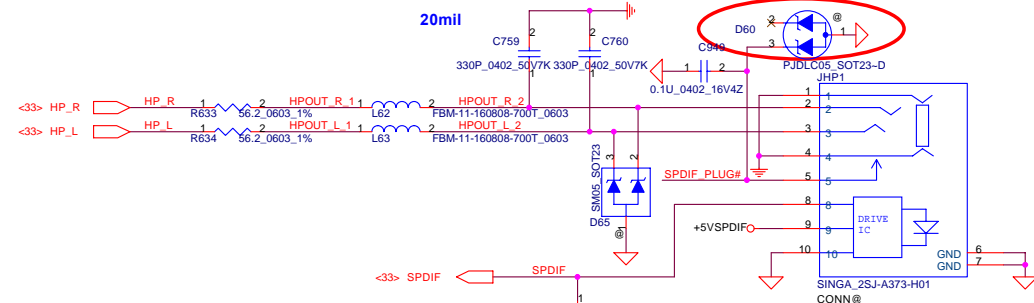
Security Classification	Compal Secret Data		Title	Compal Electronics, Inc.	
Issued Date	2008/11/03	Deciphered Date	2009/11/03	HD Audio Codec ALC268	
<small>THIS SHEET OF ENGINEERING DRAWING IS THE PROPRIETARY PROPERTY OF COMPAL ELECTRONICS, INC. AND CONTAINS CONFIDENTIAL AND TRADE SECRET INFORMATION. THIS SHEET MAY NOT BE TRANSFERRED FROM THE CUSTODY OF THE COMPETENT DIVISION OF R&D DEPARTMENT EXCEPT AS AUTHORIZED BY COMPAL ELECTRONICS, INC. NEITHER THIS SHEET NOR THE INFORMATION IT CONTAINS MAY BE USED BY OR DISCLOSED TO ANY THIRD PARTY WITHOUT PRIOR WRITTEN CONSENT OF COMPAL ELECTRONICS, INC.</small>			Size B	Document Number	Rev 0.3
			Date:	Tuesday, February 03, 2009	Sheet 33 of 46

Int. Speaker Conn.

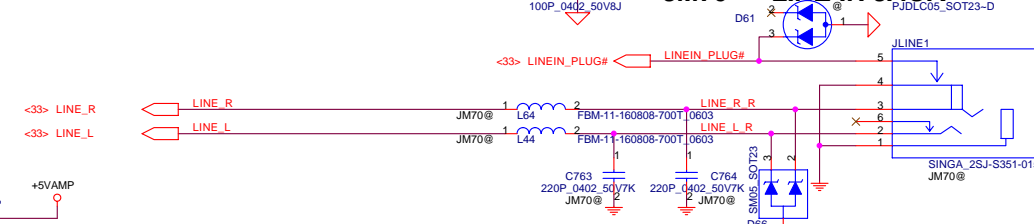


LINE Out/Headphone Out

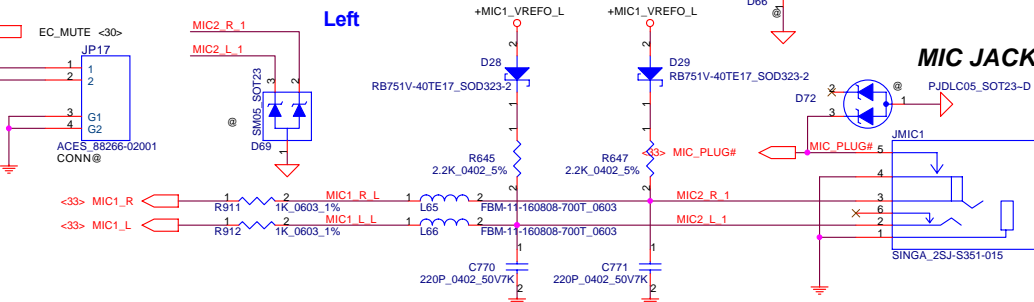
2007/12/07 S/PDIF Out JACK



JM70 LINE-IN JACK

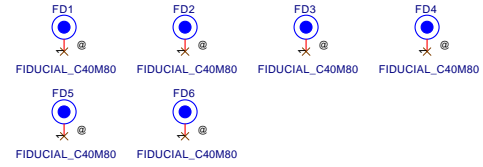
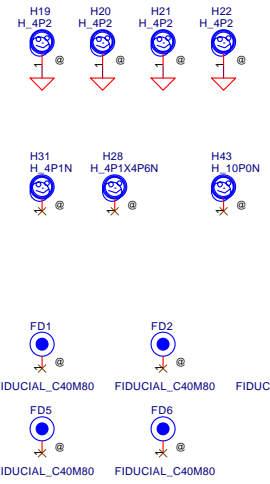
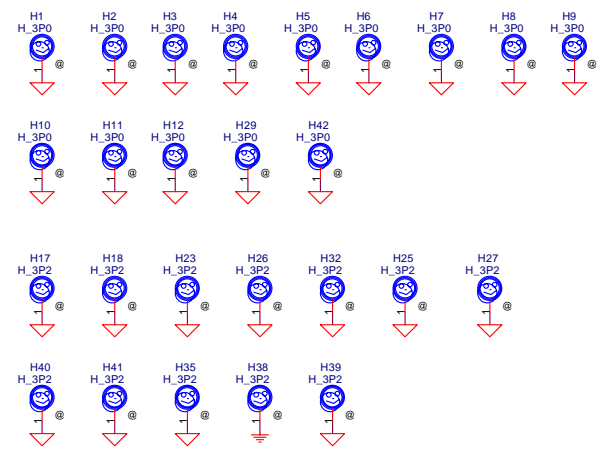
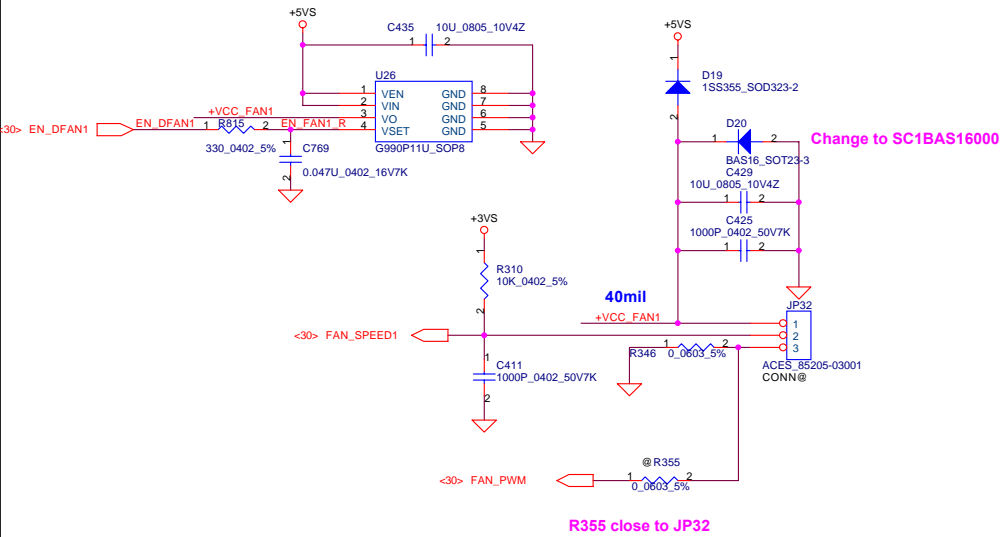


MIC JACK



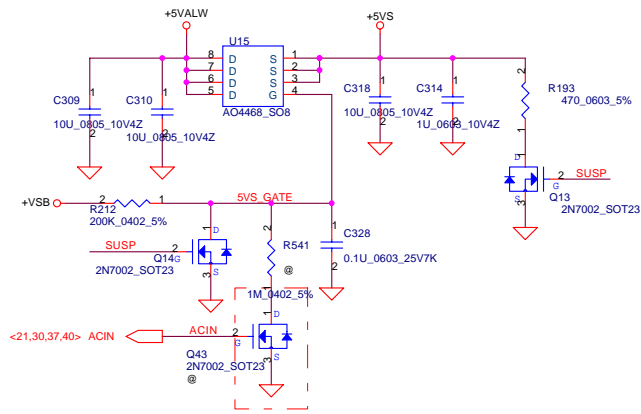
Security Classification	Compal Secret Data		Title	Compal Electronics, Inc.	
Issued Date	2008/11/03	Deciphered Date	2009/11/03	Amplifier & Audio Jack	
THIS SHEET OF ENGINEERING DRAWING IS THE PROPRIETARY PROPERTY OF COMPAL ELECTRONICS, INC. AND CONTAINS CONFIDENTIAL AND TRADE SECRET INFORMATION. THIS SHEET MAY NOT BE TRANSFERRED FROM THE CUSTODY OF THE COMPETENT DIVISION OF R&D DEPARTMENT EXCEPT AS AUTHORIZED BY COMPAL ELECTRONICS, INC. NEITHER THIS SHEET NOR THE INFORMATION IT CONTAINS MAY BE USED BY OR DISCLOSED TO ANY THIRD PARTY WITHOUT PRIOR WRITTEN CONSENT OF COMPAL ELECTRONICS, INC.					
Size	B	Document Number	KB YF0 LA-5051P		Rev
Date:	Tuesday, February 03, 2009	Sheet	34	of	46

FAN1 Conn

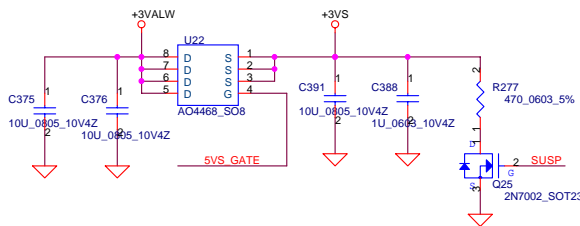


Security Classification		Compal Secret Data		Compal Electronics, Inc.	
Issued Date	2008/11/03	Deciphered Date	2009/11/03	Title	
THIS SHEET OF ENGINEERING DRAWING IS THE PROPRIETARY PROPERTY OF COMPAL ELECTRONICS, INC. AND CONTAINS CONFIDENTIAL AND TRADE SECRET INFORMATION. THIS SHEET MAY NOT BE TRANSFERRED FROM THE CUSTODY OF THE COMPETENT DIVISION OF R&D DEPARTMENT EXCEPT AS AUTHORIZED BY COMPAL ELECTRONICS, INC. NEITHER THIS SHEET NOR THE INFORMATION IT CONTAINS MAY BE USED BY OR DISCLOSED TO ANY THIRD PARTY WITHOUT PRIOR WRITTEN CONSENT OF COMPAL ELECTRONICS, INC.				FAN & Screw Hole	
Size	Document Number			Rev.	
B	KBYFO LA-5051P			0.3	
Date:	Tuesday, February 03, 2009	Sheet	35	of	46

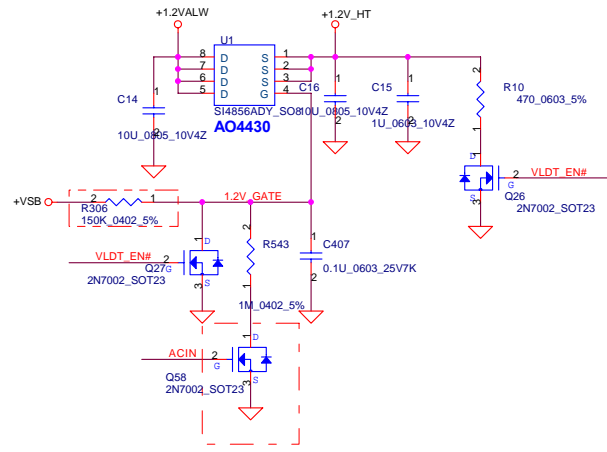
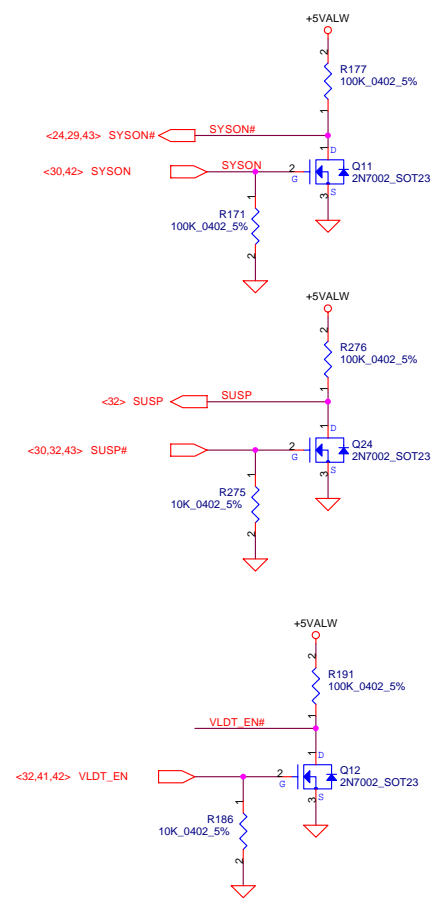
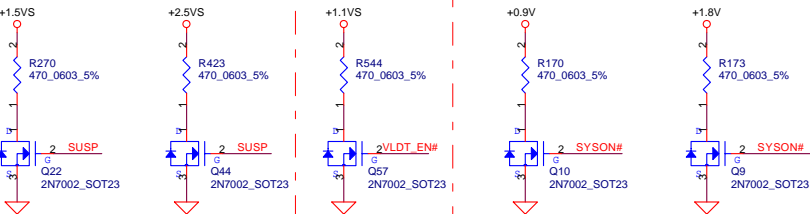
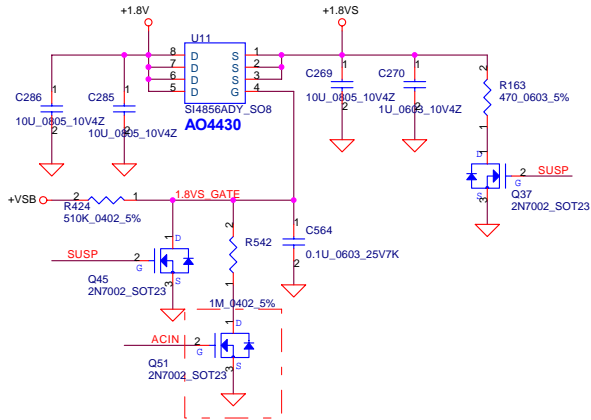
+5VALW TO +5VS



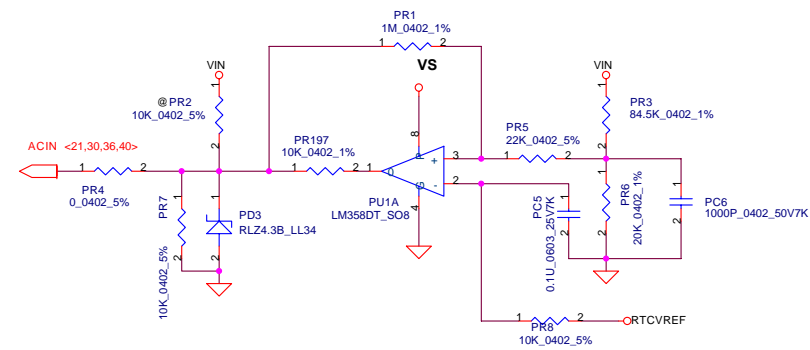
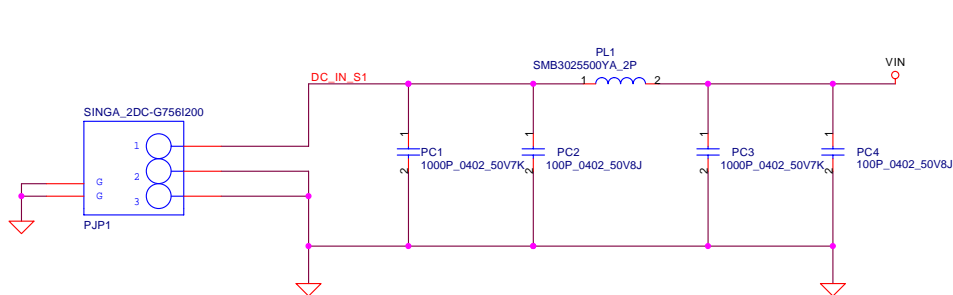
+3VALW TO +3VS



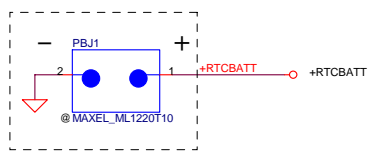
+1.8V to +1.8VS



Security Classification		Compal Secret Data		Title	
Issued Date	2008/11/03	Deciphered Date	2009/11/03	DC Interface	
THIS SHEET OF ENGINEERING DRAWING IS THE PROPRIETARY PROPERTY OF COMPAL ELECTRONICS, INC. AND CONTAINS CONFIDENTIAL AND TRADE SECRET INFORMATION. THIS SHEET MAY NOT BE TRANSFERRED FROM THE CUSTODY OF THE COMPETENT DIVISION OF R&D DEPARTMENT EXCEPT AS AUTHORIZED BY COMPAL ELECTRONICS, INC. NEITHER THIS SHEET NOR THE INFORMATION IT CONTAINS MAY BE USED BY OR DISCLOSED TO ANY THIRD PARTY WITHOUT PRIOR WRITTEN CONSENT OF COMPAL ELECTRONICS, INC.				Size B	Document Number KBYF0 LA-5051P
Date:	Tuesday, February 03, 2009	Sheet	36 of 46	Rev	0.3

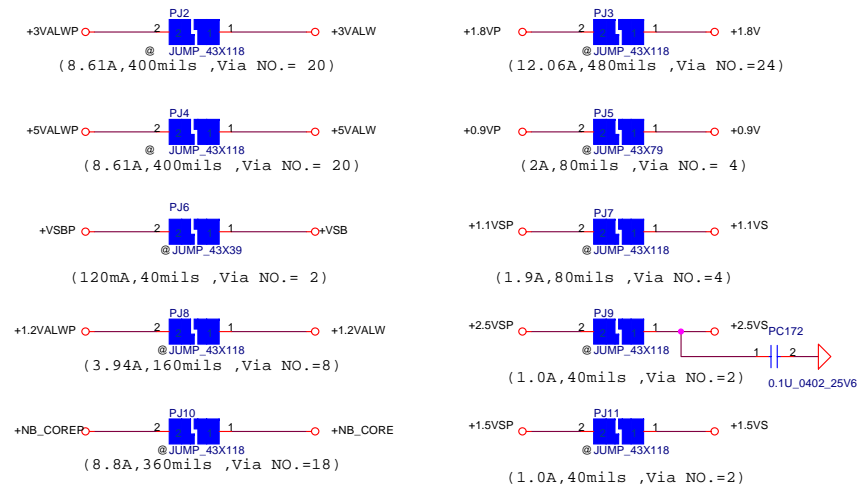
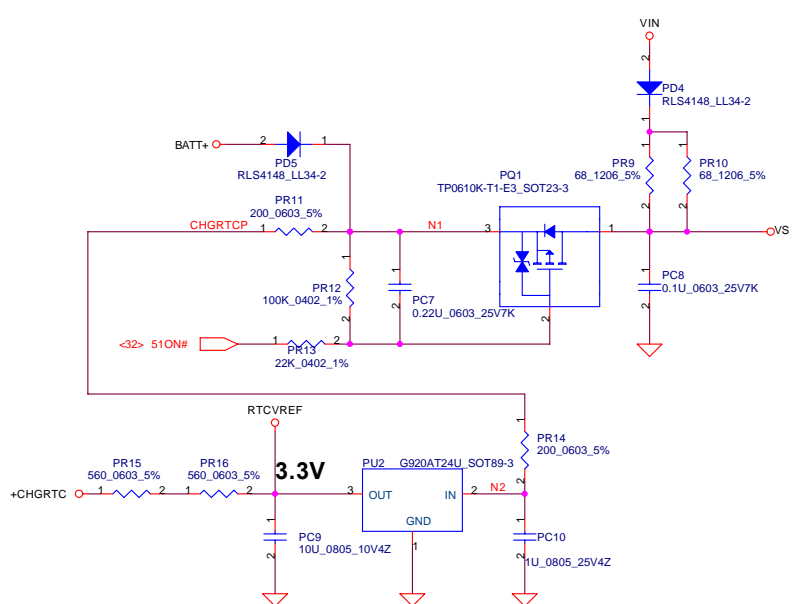


RTC Battery



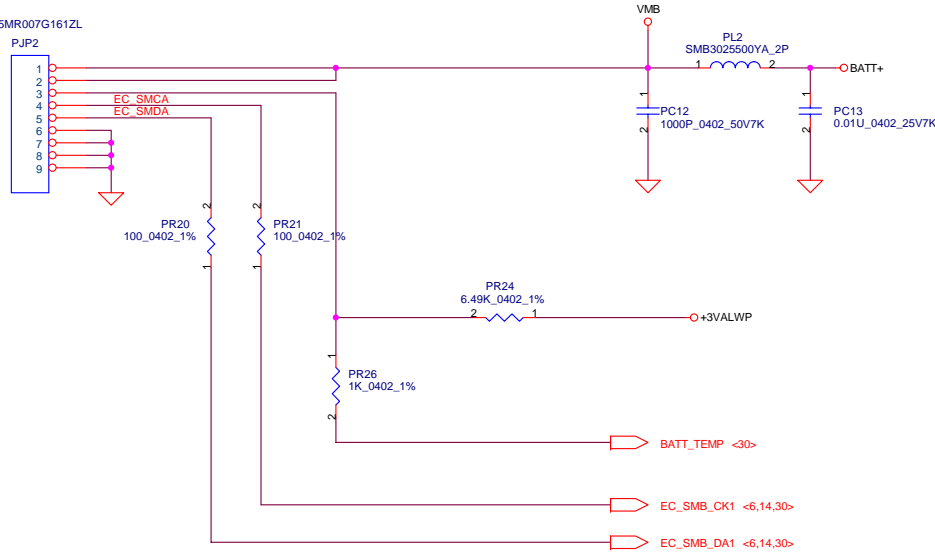
SP093MX0000

Vin Dectector			
	Min.	Typ	Max.
H-->L	16.976V	17.525V	17.728V
L-->H	17.430V	17.901V	18.384V

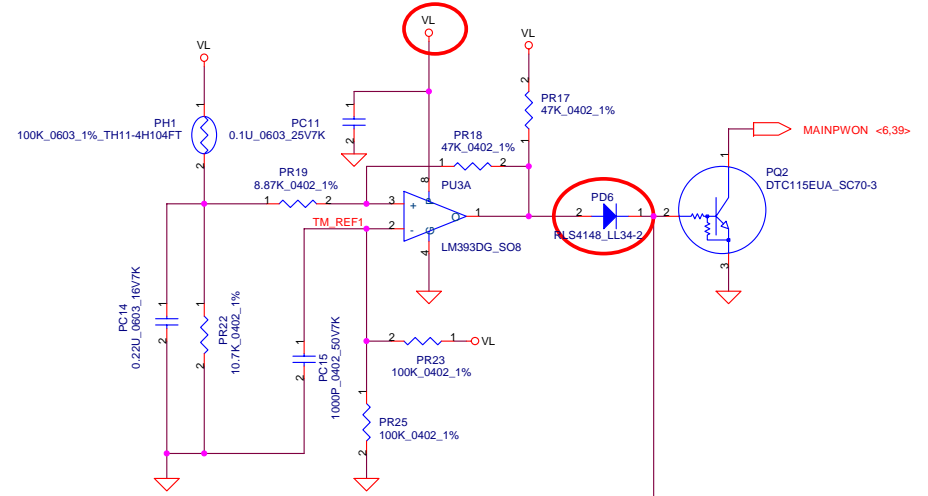


Security Classification	Compal Secret Data			Compal Electronics, Inc.		
Issued Date	2008/11/03	Deciphered Date	2009/11/03	Title DCIN & DETECTOR		
THIS SHEET OF ENGINEERING DRAWING IS THE PROPRIETARY PROPERTY OF COMPAL ELECTRONICS, INC. AND CONTAINS CONFIDENTIAL AND TRADE SECRET INFORMATION. THIS SHEET MAY NOT BE TRANSFERRED FROM THE CUSTODY OF THE COMPETENT DIVISION OF R&D DEPARTMENT EXCEPT AS AUTHORIZED BY COMPAL ELECTRONICS, INC. NEITHER THIS SHEET NOR THE INFORMATION IT CONTAINS MAY BE USED BY OR DISCLOSED TO ANY THIRD PARTY WITHOUT PRIOR WRITTEN CONSENT OF COMPAL ELECTRONICS, INC.				Size	Document Number KBKC0_KBYF0	Rev 0.3
				Date: Tuesday, February 03, 2009	Sheet	37 of 46

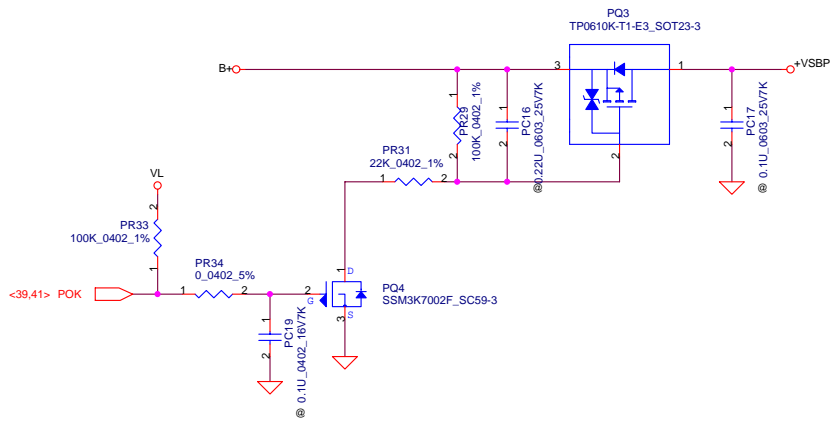
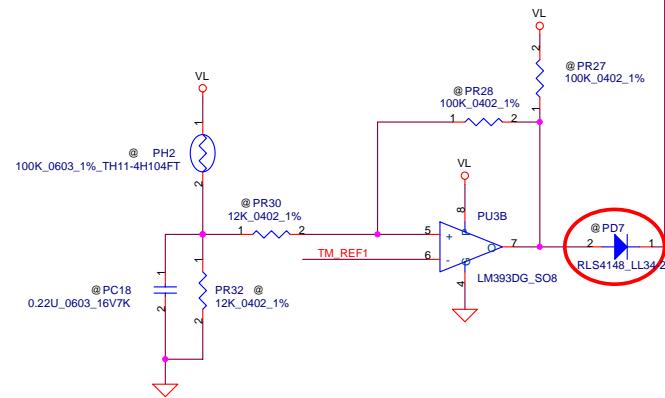
SUYIN_200275MR007G161ZL



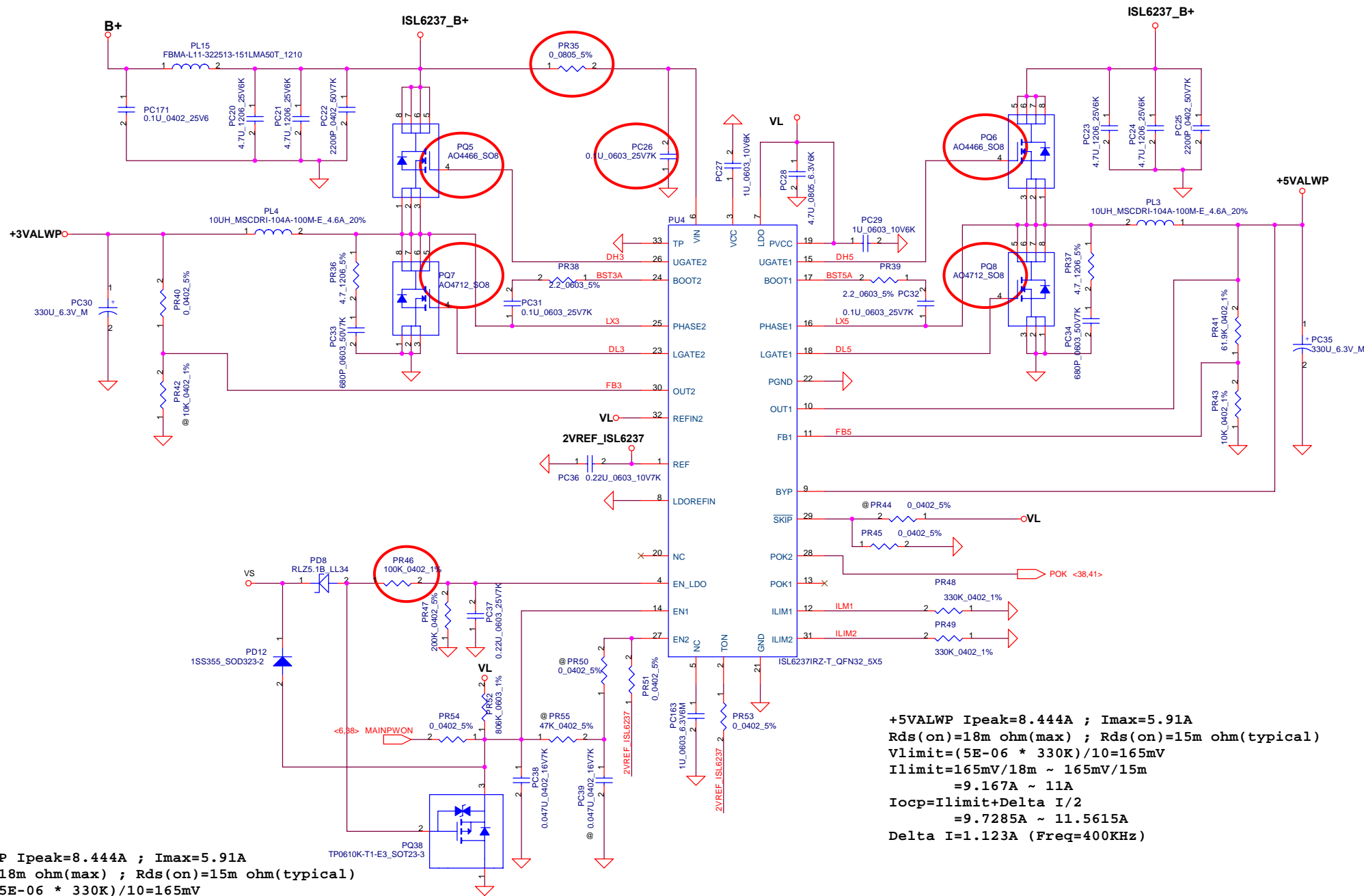
PH1 under CPU botten side :
CPU thermal protection at 92 degree C
Recovery at 56 degree C



PH2 near main Battery CONN :
BAT. thermal protection at 92 degree C
Recovery at 56 degree C



Security Classification		Compal Secret Data		Compal Electronics, Inc.	
Issued Date	2008/11/03	Deciphered Date	2009/11/03	Title	
THIS SHEET OF ENGINEERING DRAWING IS THE PROPRIETARY PROPERTY OF COMPAL ELECTRONICS, INC. AND CONTAINS CONFIDENTIAL AND TRADE SECRET INFORMATION. THIS SHEET MAY NOT BE TRANSFERRED FROM THE CUSTODY OF THE COMPETENT DIVISION OF R&D DEPARTMENT EXCEPT AS AUTHORIZED BY COMPAL ELECTRONICS, INC. NEITHER THIS SHEET NOR THE INFORMATION IT CONTAINS MAY BE USED BY OR DISCLOSED TO ANY THIRD PARTY WITHOUT PRIOR WRITTEN CONSENT OF COMPAL ELECTRONICS, INC.				BATTERY CONN / OTP	
Size	Document Number			Rev	0.3
	KBK0_KBYF0			Date:	Tuesday, February 03, 2009
				Sheet	38 of 46

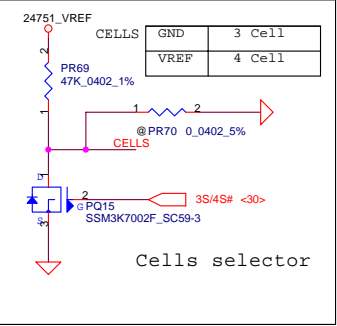


+5VALWP Ipeak=8.444A ; Imax=5.91A
Rds(on)=18m ohm(max) ; Rds(on)=15m ohm(typical)
Vlimit=(5E-06 * 330K)/10=165mV
Ilimit=165mV/18m ~ 165mV/15m
=9.167A ~ 11A
Iocp=Ilimit+Delta I/2
=9.7285A ~ 11.5615A
Delta I=1.123A (Freq=400KHz)

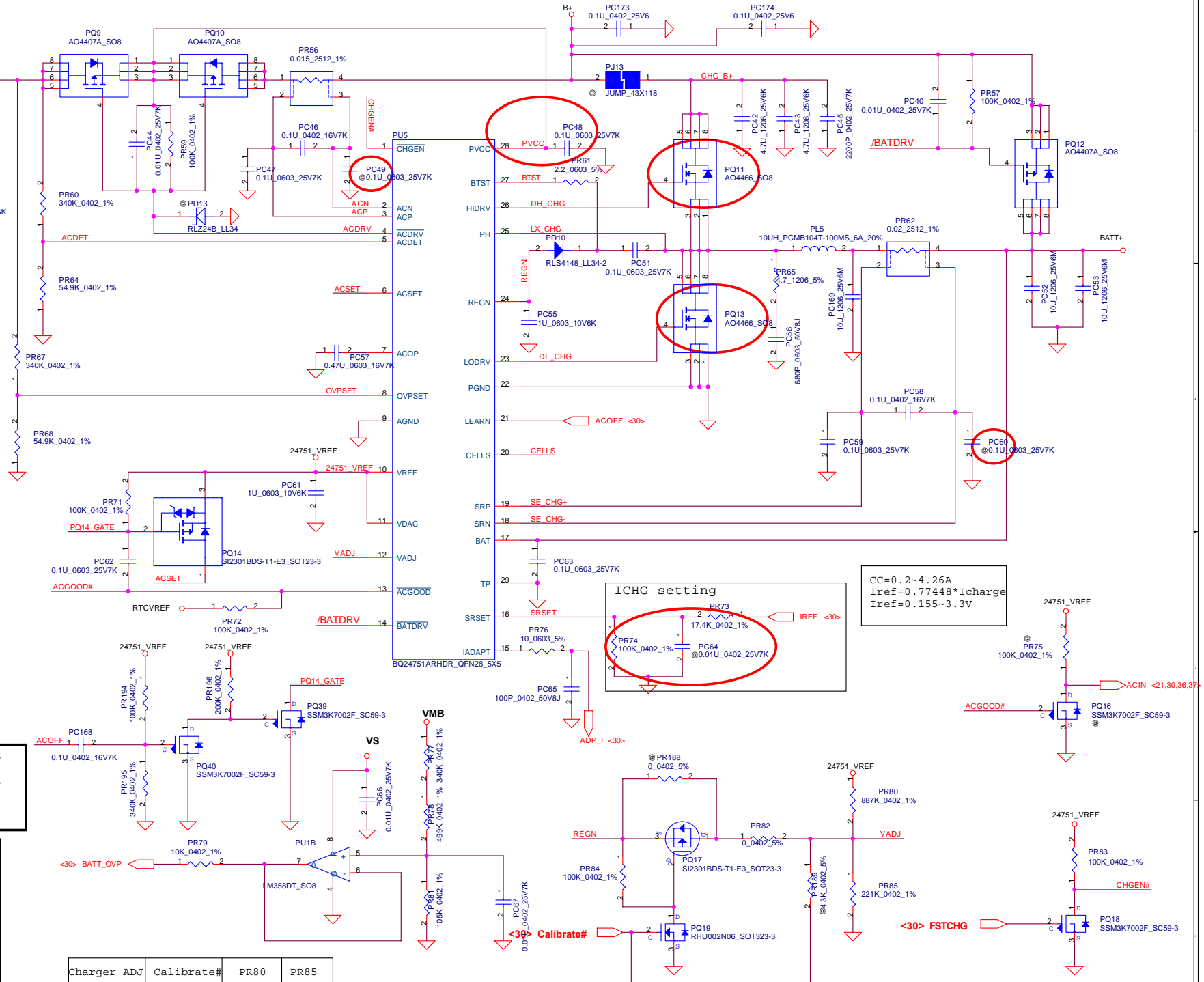
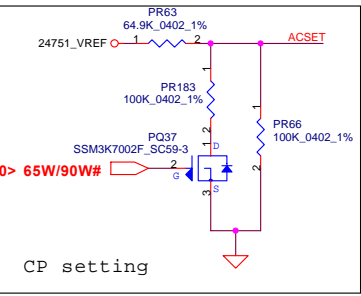
+3.3VALWP Ipeak=8.444A ; Imax=5.91A
Rds(on)=18m ohm(max) ; Rds(on)=15m ohm(typical)
Vlimit=(5E-06 * 330K)/10=165mV
Ilimit=165mV/18m ~ 165mV/15m
=9.167A ~ 11A
Iocp=Ilimit+Delta I/2
=9.721A ~ 11.554A
Delta I=1.108A (Freq=300KHz)

Security Classification		Compal Secret Data		Title	
Issued Date	2008/11/03	Deciphered Date	2009/11/03	+5V/+3V	
THIS SHEET OF ENGINEERING DRAWING IS THE PROPRIETARY PROPERTY OF COMPAL ELECTRONICS, INC. AND CONTAINS CONFIDENTIAL AND TRADE SECRET INFORMATION. THIS SHEET MAY NOT BE TRANSFERRED FROM THE CUSTODY OF THE COMPETENT DIVISION OF R&D DEPARTMENT EXCEPT AS AUTHORIZED BY COMPAL ELECTRONICS, INC. NEITHER THIS SHEET NOR THE INFORMATION IT CONTAINS MAY BE USED BY OR DISCLOSED TO ANY THIRD PARTY WITHOUT PRIOR WRITTEN CONSENT OF COMPAL ELECTRONICS, INC.					
Size	Document Number	Date:		Sheet	Rev
Custom	KBKCO_KBYFO	Tuesday, February 03, 2009		39	0.3
				of	46

$I_{charge} = (V_{rsset}/V_{vdac}) * (0.1/PR36)$
 90W adapter
 $I_{adapter} = (V_{acset}/V_{vdac}) * (0.1/PR48) = 4.04A$
 65W adapter
 $I_{adapter} = (V_{acset}/V_{vdac}) * (0.1/PR48) = 2.90A$
 Input OVP : 22.3V
 Input UVP : 17.26V
 Fsw : 300KHz



LI-3S : 13.5V --- BATT-OVP=1.5V
LI-4S : 18V --- BATT-OVP=1.998V
BATT-OVP=0.111*BATT+



IChg setting
 PR74 100K_0402_1%
 PC64 @0.01U_0402_25V7K
 IREF <30>

CC=0.2~4.26A
 $I_{ref} = 0.77448 * I_{charge}$
 $I_{ref} = 0.155 \sim 3.3V$

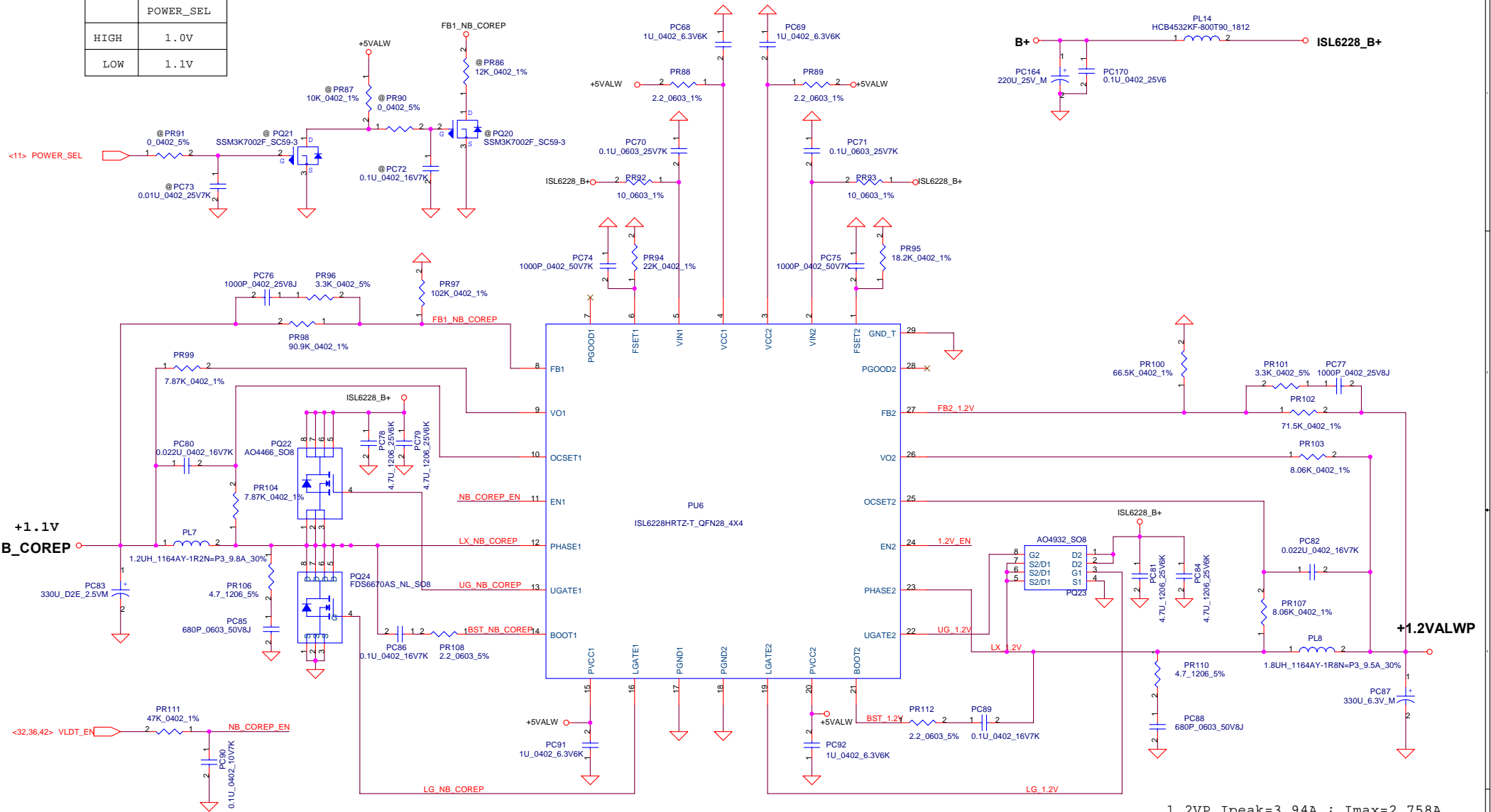
Charger ADJ	Calibrate#	PR80	PR85
4.0V	L	@	0
4.1V	L	887K	221K
4.2V	H	887K	221K

Security Classification		Compal Secret Data	
Issued Date	2008/11/03	Deciphered Date	2009/11/03

THIS SHEET OF ENGINEERING DRAWING IS THE PROPRIETARY PROPERTY OF COMPAL ELECTRONICS, INC. AND CONTAINS CONFIDENTIAL AND TRADE SECRET INFORMATION. THIS SHEET MAY NOT BE TRANSFERRED FROM THE CUSTODY OF THE COMPETENT DIVISION OF R&D DEPARTMENT EXCEPT AS AUTHORIZED BY COMPAL ELECTRONICS, INC. NEITHER THIS SHEET NOR THE INFORMATION IT CONTAINS MAY BE USED BY OR DISCLOSED TO ANY THIRD PARTY WITHOUT PRIOR WRITTEN CONSENT OF COMPAL ELECTRONICS, INC.

Compal Electronics, Inc.			
CHARGER			
Size	Document Number	Rev	
	KBK0C_KBYF0	0.3	
Date:	Tuesday, February 03, 2009	Sheet	40 of 46

	POWER_SEL
HIGH	1.0V
LOW	1.1V



1.1VP Ipeak=8.9A ; Imax=6.23A
 DCR=6m ohm (max)
 $Rocset=(Iocp*DCR)/10E-06=7.68K\ ohm$
 $Iocp=9.846A(1.3*DCR)$
 $Csen=L/(Rocset*DCR)=0.022uF$

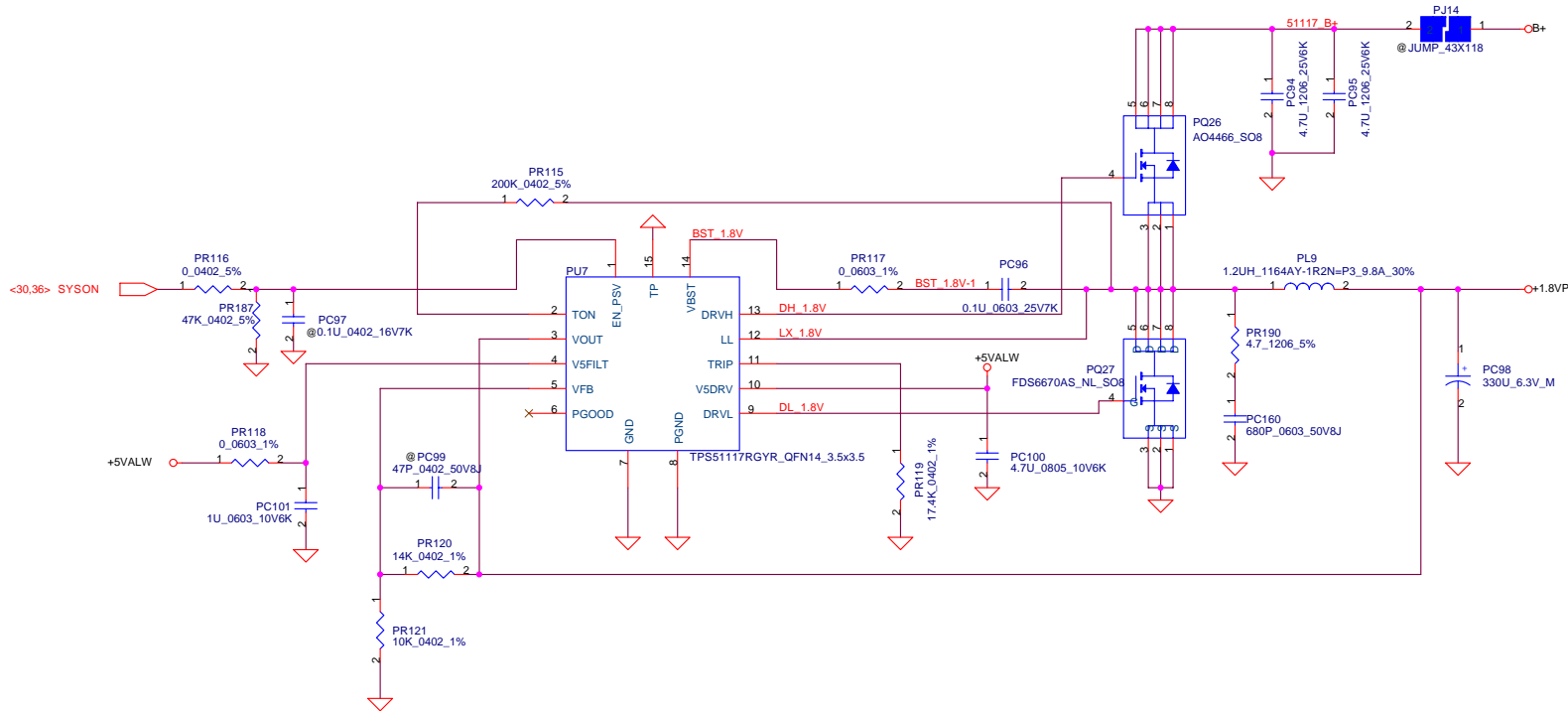
Freq=303KHz
 $Rfset=1/(1.5E-10 * Freq)=22K$

1.2VP Ipeak=3.94A ; Imax=2.758A
 DCR=10m ohm (max)
 $Rocset=(Iocp*DCR)/10E-06=6.65K\ ohm$
 $Iocp=5.542A(1.2*DCR)$
 $Csen=L/(Rocset*DCR)=0.027uF$

Freq=366KHz
 $Rfset=1/(1.5E-10 * Freq)=18.2K$

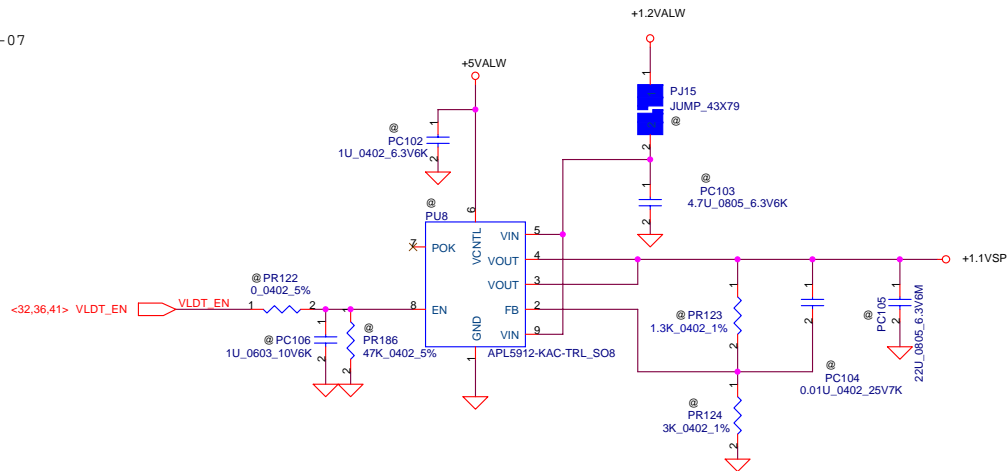
Security Classification	Compal Secret Data		Compal Electronics, Inc.	
Issued Date	2008/11/03	Deciphered Date	2009/11/03	
Title NB_COREP / 1.2VSB				
Size	Document Number	KBK00_KBYF0		Rev 0.3
Date:	Tuesday, February 03, 2009	Sheet	41	of 46

THIS SHEET OF ENGINEERING DRAWING IS THE PROPRIETARY PROPERTY OF COMPAL ELECTRONICS, INC. AND CONTAINS CONFIDENTIAL AND TRADE SECRET INFORMATION. THIS SHEET MAY NOT BE TRANSFERRED FROM THE CUSTODY OF THE COMPETENT DIVISION OF R&D DEPARTMENT EXCEPT AS AUTHORIZED BY COMPAL ELECTRONICS, INC. NEITHER THIS SHEET NOR THE INFORMATION IT CONTAINS MAY BE USED BY OR DISCLOSED TO ANY THIRD PARTY WITHOUT PRIOR WRITTEN CONSENT OF COMPAL ELECTRONICS, INC.

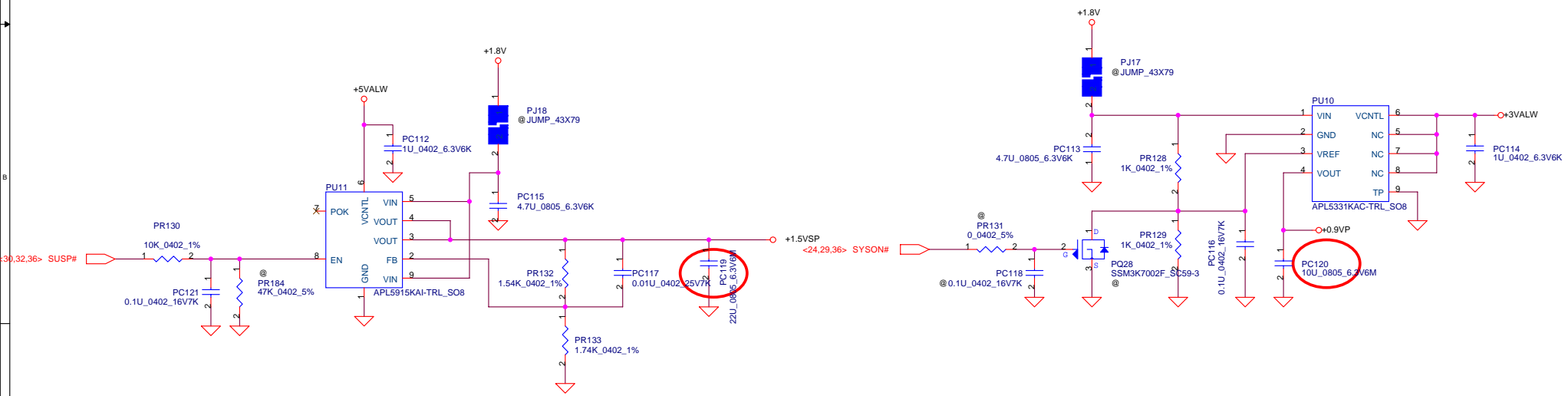
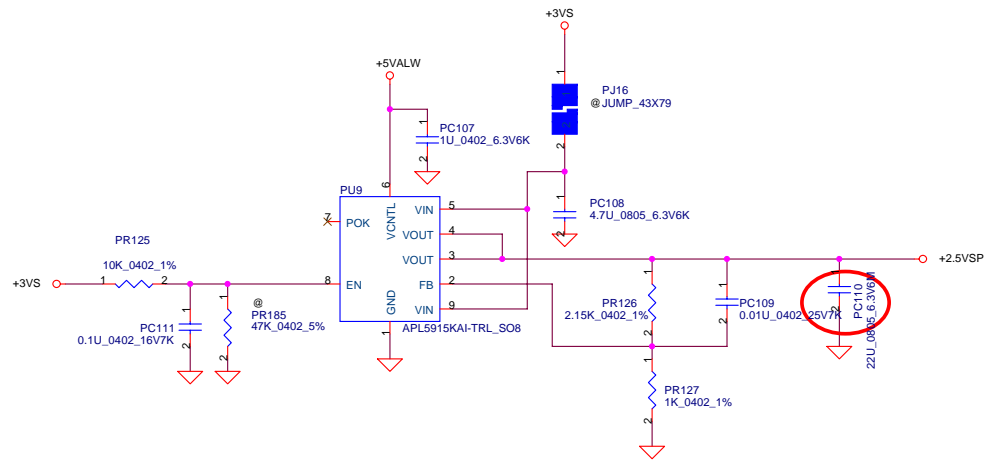


$V_{FB} = 0.75V$
 $V_o = V_{FB} * (1 + PR120 / PR121) = 1.8V$
 $T_{on} = 19E-12 * R_{on} * ((2/3) * V_o + 100mV) / (V_{in}) + 50ns = 3.1E-07$
 $Freq = 305KHz$

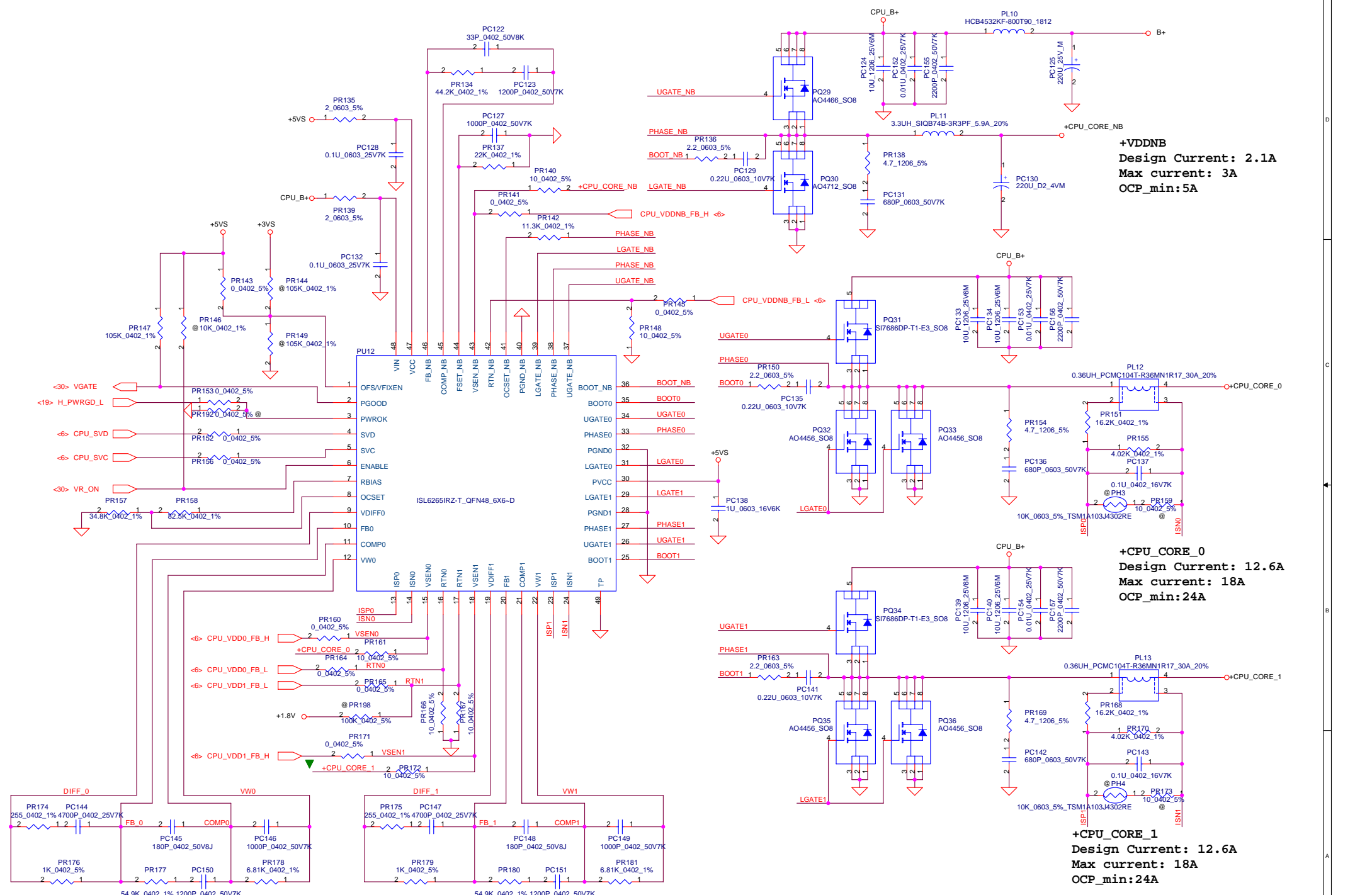
$C_{esr} = 15m \text{ ohm}$
 $I_{peak} = 12.6A \quad I_{max} = 8.82A$
 $\Delta i = ((19 - 1.8) * (1.8 / 19)) / (L * Freq) = 5.332A$
 $V_{trip} = R_{trip} * I_{0uA} = 0.24V$
 $I_{ocp_min} = V_{trip} / R_{ds_on_max} * 1.4 + 2.666 = 17.573A$
 $I_{ocp_max} = V_{trip} / R_{ds_on_typ} * 1.2 + 2.666 = 26.908A$
 $I_{ocp} = 17.573 - 26.908A$



Security Classification	Compal Secret Data		Compal Electronics, Inc.	
Issued Date	2008/11/03	Deciphered Date	2009/11/03	Title
THIS SHEET OF ENGINEERING DRAWING IS THE PROPRIETARY PROPERTY OF COMPAL ELECTRONICS, INC. AND CONTAINS CONFIDENTIAL AND TRADE SECRET INFORMATION. THIS SHEET MAY NOT BE TRANSFERRED FROM THE CUSTODY OF THE COMPETENT DIVISION OF R&D DEPARTMENT EXCEPT AS AUTHORIZED BY COMPAL ELECTRONICS, INC. NEITHER THIS SHEET NOR THE INFORMATION IT CONTAINS MAY BE USED BY OR DISCLOSED TO ANY THIRD PARTY WITHOUT PRIOR WRITTEN CONSENT OF COMPAL ELECTRONICS, INC.				1.8VSP/+1.1VSP Size Document Number Rev KBKCO_KBYF0 0.3
Date: Tuesday, February 03, 2009				Sheet 42 of 46



Security Classification		Compal Secret Data		Compal Electronics, Inc.	
Issued Date	2008/11/03	Deciphered Date	2009/11/03	Title	
THIS SHEET OF ENGINEERING DRAWING IS THE PROPRIETARY PROPERTY OF COMPAL ELECTRONICS, INC. AND CONTAINS CONFIDENTIAL AND TRADE SECRET INFORMATION. THIS SHEET MAY NOT BE TRANSFERRED FROM THE CUSTODY OF THE COMPETENT DIVISION OF R&D DEPARTMENT EXCEPT AS AUTHORIZED BY COMPAL ELECTRONICS, INC. NEITHER THIS SHEET NOR THE INFORMATION IT CONTAINS MAY BE USED BY OR DISCLOSED TO ANY THIRD PARTY WITHOUT PRIOR WRITTEN CONSENT OF COMPAL ELECTRONICS, INC.				0.9VP//1.5VSP/2.5VSP	
Size	Document Number			Rev	
	KBKCO_KBYFO			0.3	
Date:	Tuesday, February 03, 2009	Sheet	43	of	46



+VDDNB
Design Current: 2.1A
Max current: 3A
OCp_min:5A

+CPU_CORE 0
Design Current: 12.6A
Max current: 18A
OCp_min:24A

+CPU_CORE 1
Design Current: 12.6A
Max current: 18A
OCp_min:24A

Security Classification		Compal Secret Data		Title	
Issued Date	2008/11/03	Deciphered Date	2009/11/03	+CPU_CORE	
THIS SHEET OF ENGINEERING DRAWING IS THE PROPRIETARY PROPERTY OF COMPAL ELECTRONICS, INC. AND CONTAINS CONFIDENTIAL AND TRADE SECRET INFORMATION. THIS SHEET MAY NOT BE TRANSFERRED FROM THE CUSTODY OF THE COMPETENT DIVISION OF R&D DEPARTMENT EXCEPT AS AUTHORIZED BY COMPAL ELECTRONICS, INC. NEITHER THIS SHEET NOR THE INFORMATION IT CONTAINS MAY BE USED BY OR DISCLOSED TO ANY THIRD PARTY WITHOUT PRIOR WRITTEN CONSENT OF COMPAL ELECTRONICS, INC.					
Size	Document Number	Rev			
Custom	KBKCO_KBYFO	0.3			
Date:	Tuesday, February 03, 2009	Sheet	44	of 46	

Item	Fixed Issue	Reason for change	Rev.	PG#	Modify List	Date	Phase
1	EMI request.	EMI request.	0.1	40	Change PR38, PR39, PR108, PR112, PR136, PR150, PR163 from SD013000080 to SD013220B80.	08, 12/24	to DVT
2	EMI request.	EMI request.	0.1	40	Add PC170, PC171, PC172, PC173, PC174 SE000000G880 S CER CAP 0.1U 25V K X5R 0402	08, 12/24	to DVT
3	EMI request.	EMI request.	0.1	39	Add PL15 SM010016410 S SUPPRE_ KC FBMA-L11-322513-151LMA50T	08, 12/24	to DVT
4	EMI request.	EMI request.	0.1	41	Add PL14 SM010018210 S SUPPRE_ TAI-TECH HCB4532KF -800T90 1812	08, 12/24	to DVT
5	Link CIS error.	Link CIS error.	0.1	40	Change PQ9, PQ10, PQ12 from SB944070000 S TR AO4407 1P SO8 W/D to SB000000DL00 S TR AO4407A 1P SO8	08, 12/24	to DVT
6	cost down	cost down	0.1	40	Change PC30 from SGA19331360 S POLY C 330U 6.3V M D3L ESR25M TPE H2.8 to SF000001G00 S_A-P_CAP 330U 6.3V M 6.3X5.7 LESR14M ME	08, 12/24	to DVT
7	cost down	cost down	0.1	40	Change PC35 from SGA20151320 S POLY C 150U 6.3V M D2E TPE ESR18 H1.8 to SF000001G00 S_A-P_CAP 330U 6.3V M 6.3X5.7 LESR14M ME	08, 12/24	to DVT
8	cost down	cost down	0.1	41, 42	Change PC87, PC98 from SGA19331D00 S POLY C 330U 2.5V M D2 TPE LESR15M H1.8 to SF000001G00 S_A-P_CAP 330U 6.3V M 6.3X5.7 LESR14M ME	08, 12/24	to DVT
9	schematic update.	schematic update.	0.1	44	Delete PR198 SD028100380 S RES 1/16W 100K +-5% 0402	08, 12/24	to DVT
10	layout space too small.	layout space too small.	0.1	41	Change PQ23 from SB00000CG00 S TR AO4466 1N SO8 to SB00000BG00 S TR AO4932 2N SO8 Delete PQ25 SB00000AJ00 S TR AO4712 1N SO8	08, 12/24	to DVT
11							
12							
13							
14							
15							
16							
17							
18							

Security Classification		Compal Secret Data		Compal Electronics, Inc.	
Issued Date	2008/11/03	Deciphered Date	2009/11/03	Title	
				PIR List	
THIS SHEET OF ENGINEERING DRAWING IS THE PROPRIETARY PROPERTY OF COMPAL ELECTRONICS, INC. AND CONTAINS CONFIDENTIAL AND TRADE SECRET INFORMATION. THIS SHEET MAY NOT BE TRANSFERRED FROM THE CUSTODY OF THE COMPETENT DIVISION OF R&D DEPARTMENT EXCEPT AS AUTHORIZED BY COMPAL ELECTRONICS, INC. NEITHER THIS SHEET NOR THE INFORMATION IT CONTAINS MAY BE USED BY OR DISCLOSED TO ANY THIRD PARTY WITHOUT PRIOR WRITTEN CONSENT OF COMPAL ELECTRONICS, INC.				Size Custom	Document Number KBKCO_KBYFO
				Date:	Tuesday, February 03, 2009
				Sheet	45 of 46
				Rev	0.3

NO	DATE	PAGE	MODIFICATION LIST	PURPOSE
12/17		p.12	L3,L4 change from bead to 0 Ohm	
12/17		P.17	Add R858~R865 for VGA HDMI	
12/17		P.18	R374,R375,R376 change from 0 ohm to 10 ohm	
12/17		P.20	R50 ,R53 change from JV70@ to @	
12/17		P.20	R51 ,R52 change from JM70@ to JV70@	
12/17		P.24	JP18 change from ESATA to USB port	
12/17		P.25	R396 change from 10K to 0 Ohm	
12/17		P.31	C905~C907 change from 0.1u to 33P	
12/17		P.31	U19 change from mount to @ ; U18 change from @ to mount	
12/17		P.32	D22 change from mount to @	
12/18		P.24	SATA re-driver IC reserved	
12/22		P.8	Add c124,c128,c151,c155,c55,c119,c113,c197 0.1uF	EMI request
12/22		P.30	Add c40 c41 100P	EMI request
12/22		P.30	Add c42,c43,c45	EMI request
12/22		P.37~p.45	upgrade PWR schematic	
12/22		P.30	Add C65 22uF for CRT flicker	
12/23		P.21	Delete R174,R175	
01/16		P.16	Add r611,r612 connect to INVT_PWM	Vari-Bright reserved
01/16		P.11	Add r347 connect to BKOFF#	Vari-Bright reserved
01/16		P.30	add r288 BKOFF# 4.7k pull low	

Security Classification	Compal Secret Data			Compal Electronics, Inc.	
Issued Date	2008/11/03	Deciphered Date	2009/11/03	Title	
THIS SHEET OF ENGINEERING DRAWING IS THE PROPRIETARY PROPERTY OF COMPAL ELECTRONICS, INC. AND CONTAINS CONFIDENTIAL AND TRADE SECRET INFORMATION. THIS SHEET MAY NOT BE TRANSFERRED FROM THE CUSTODY OF THE COMPETENT DIVISION OF R&D DEPARTMENT EXCEPT AS AUTHORIZED BY COMPAL ELECTRONICS, INC. NEITHER THIS SHEET NOR THE INFORMATION IT CONTAINS MAY BE USED BY OR DISCLOSED TO ANY THIRD PARTY WITHOUT PRIOR WRITTEN CONSENT OF COMPAL ELECTRONICS, INC.				HW PIR	
				Size	Document Number
				KBYF0 LA-5051P	
				Date:	Tuesday, February 03, 2009
				Sheet	46 of 46
				1	