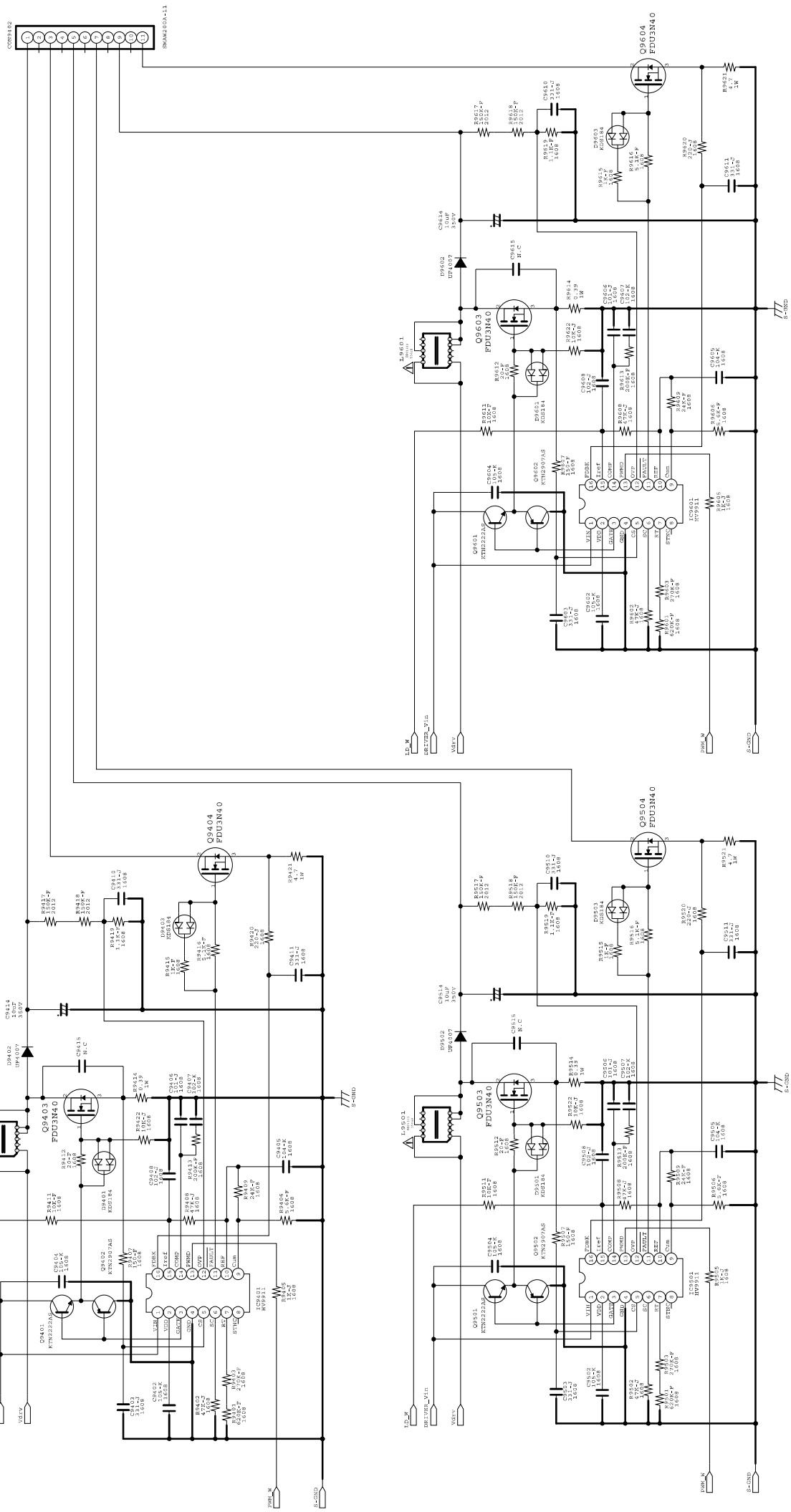


NOTE * N.C. : No Connection

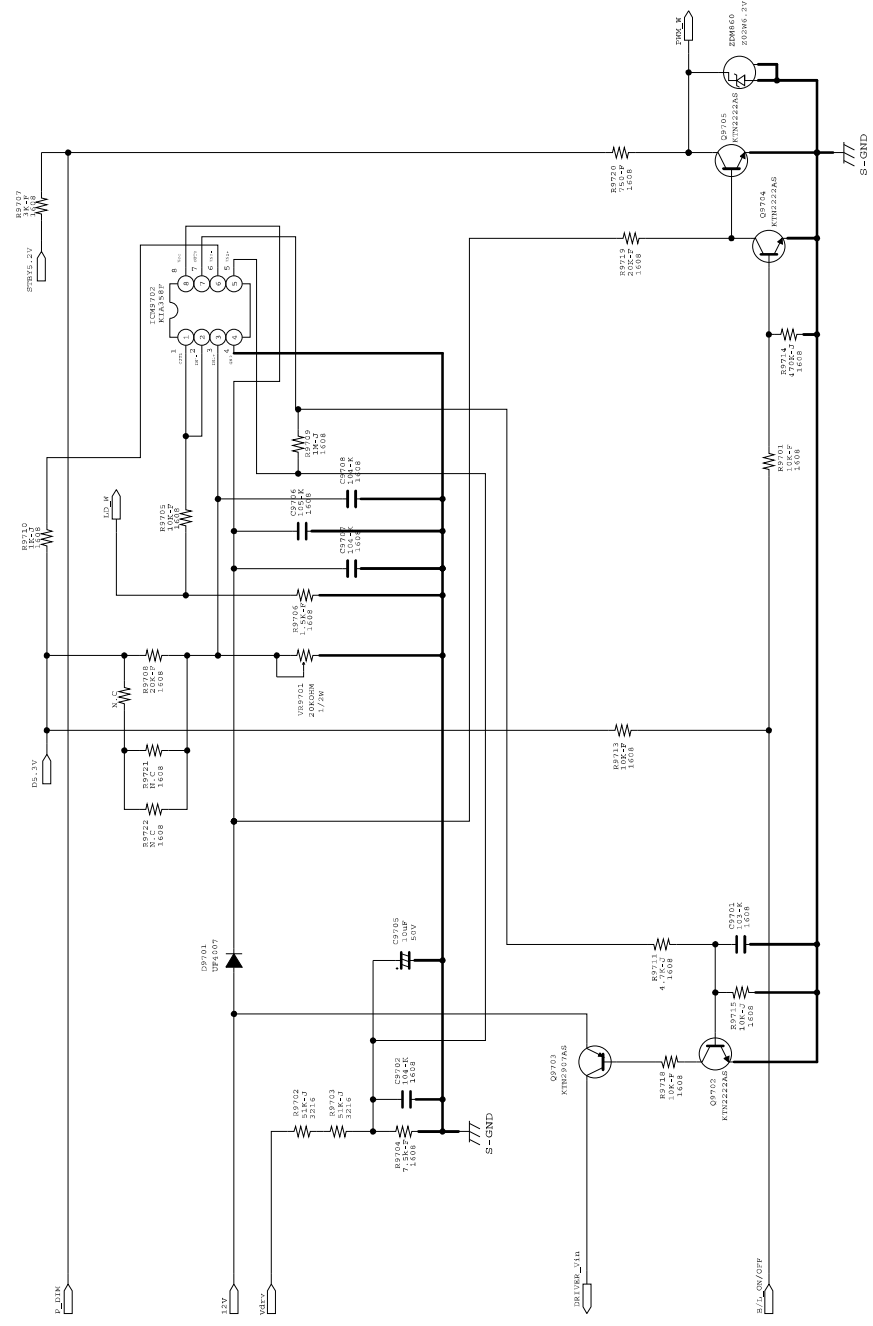
DATE	USER	MODEL NAME	SCALE
DRAWN	PSLFL71B01A	(EN44-00269A)	REVISION
CHECKED	REV R.D	COMMONSCOPE	APPROVED





PS1F171B01A (BN44-00269A)		DATE	9
MODEL NAME	SCALE	DRWNR	
REV. NUMBER	REVISION	CHECKED	
COMMONSCOPE	REV. R. D	APPROVED	
SAMSUNG ELECTRO-MECHANICS		USER	
SAMSUNG		DATE	9

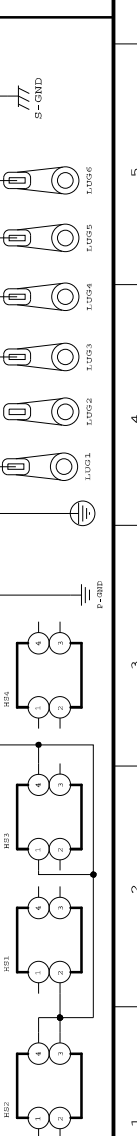
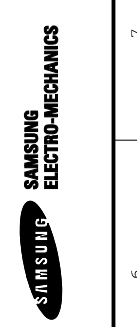
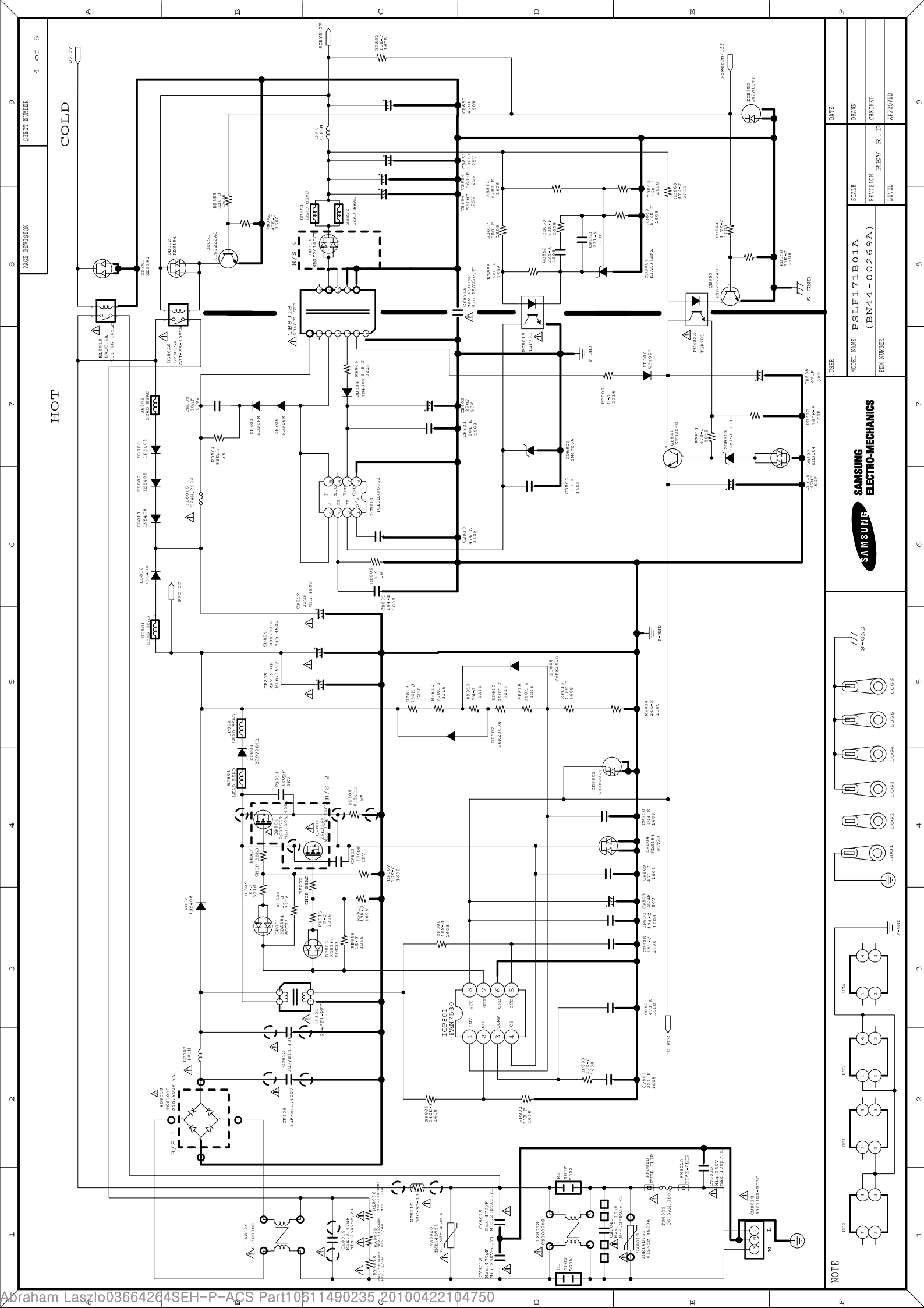
NOTE * N.C : No Connection



NOTE



DATE	USER
DRAWN	MODEL NAME PSLF171B01A
CHECKED	REVISION (BN44-00269A)
APPROVED	REV R.D
	CommonScope
	EDM NUMBER



NOTE

