

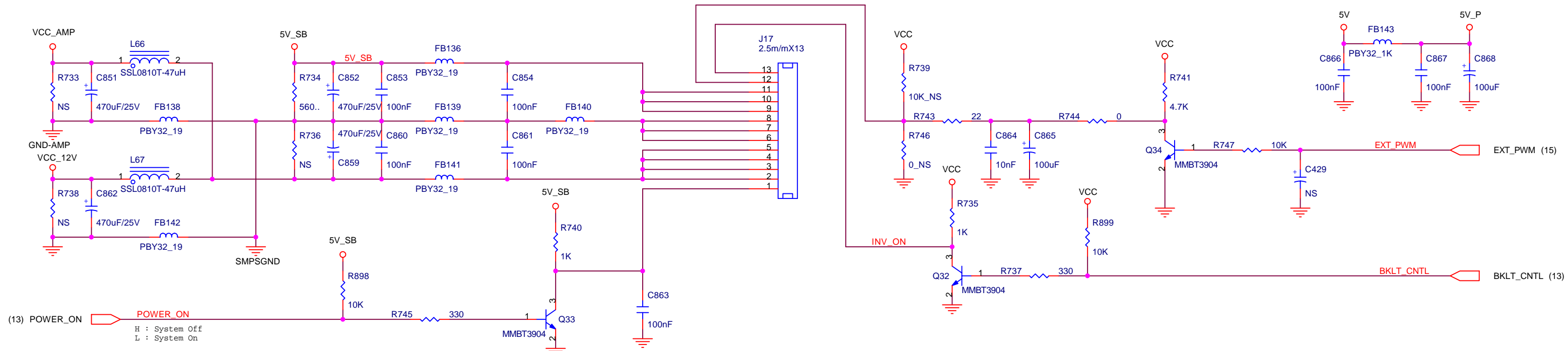
Service Manual

**ViewSonic N3260w
N3760w
N4060w**

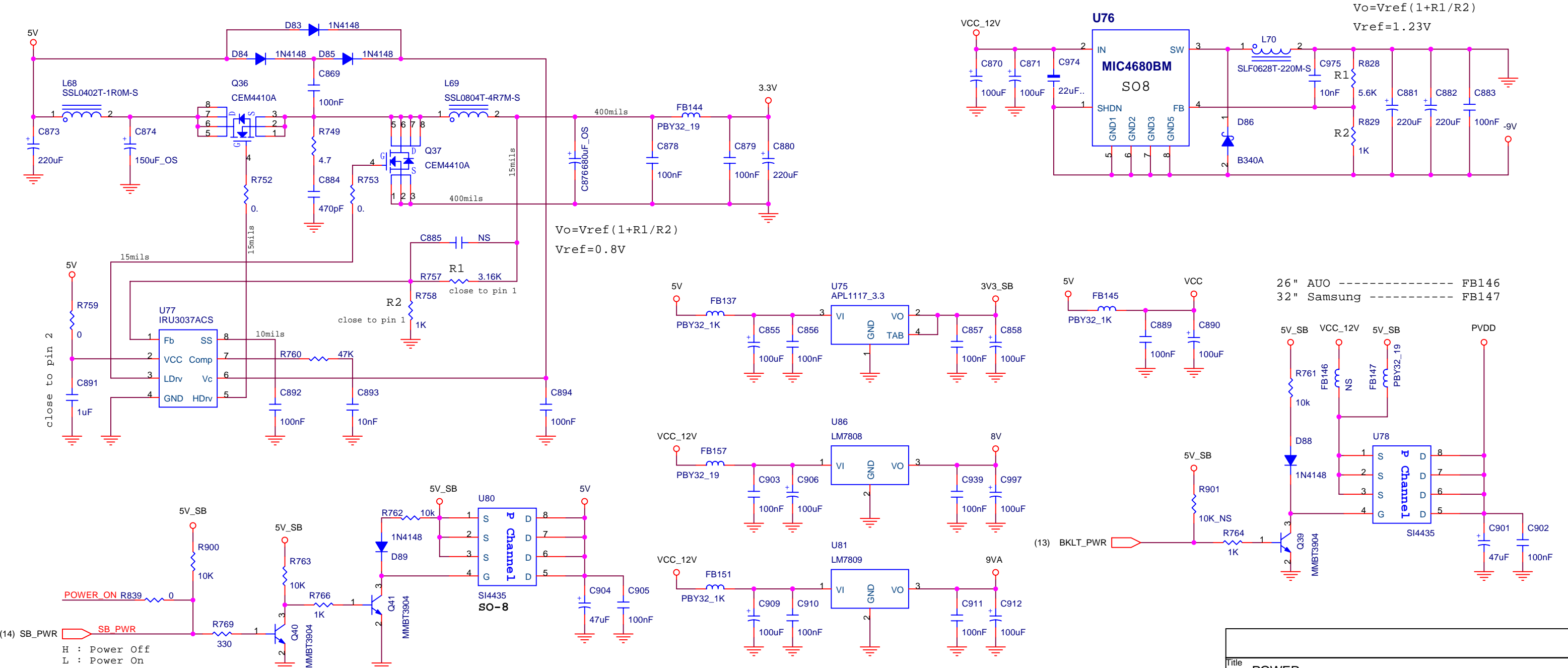
**Model No. VS10847-1E
VS10847-1P
VS10848-1E
VS10848-1P
VS10846-1E
VS10846-1P**

LCD TV Display

(N3260w/N3760w/N4060w_SM Rev. 1a Dec. 2005)



(13) POWER_ON
 H : System Off
 L : System On



(14) SB_PWR
 H : Power Off
 L : Power On

$V_o = V_{ref} (1 + R_1/R_2)$
 $V_{ref} = 0.8V$

$V_o = V_{ref} (1 + R_1/R_2)$
 $V_{ref} = 1.23V$

26" AUO ----- FB146
 32" Samsung ----- FB147

Title POWER		
Size A3	Document Number	Rev 1.0
Date: Tuesday, November 15, 2005	Sheet 26	of 27

