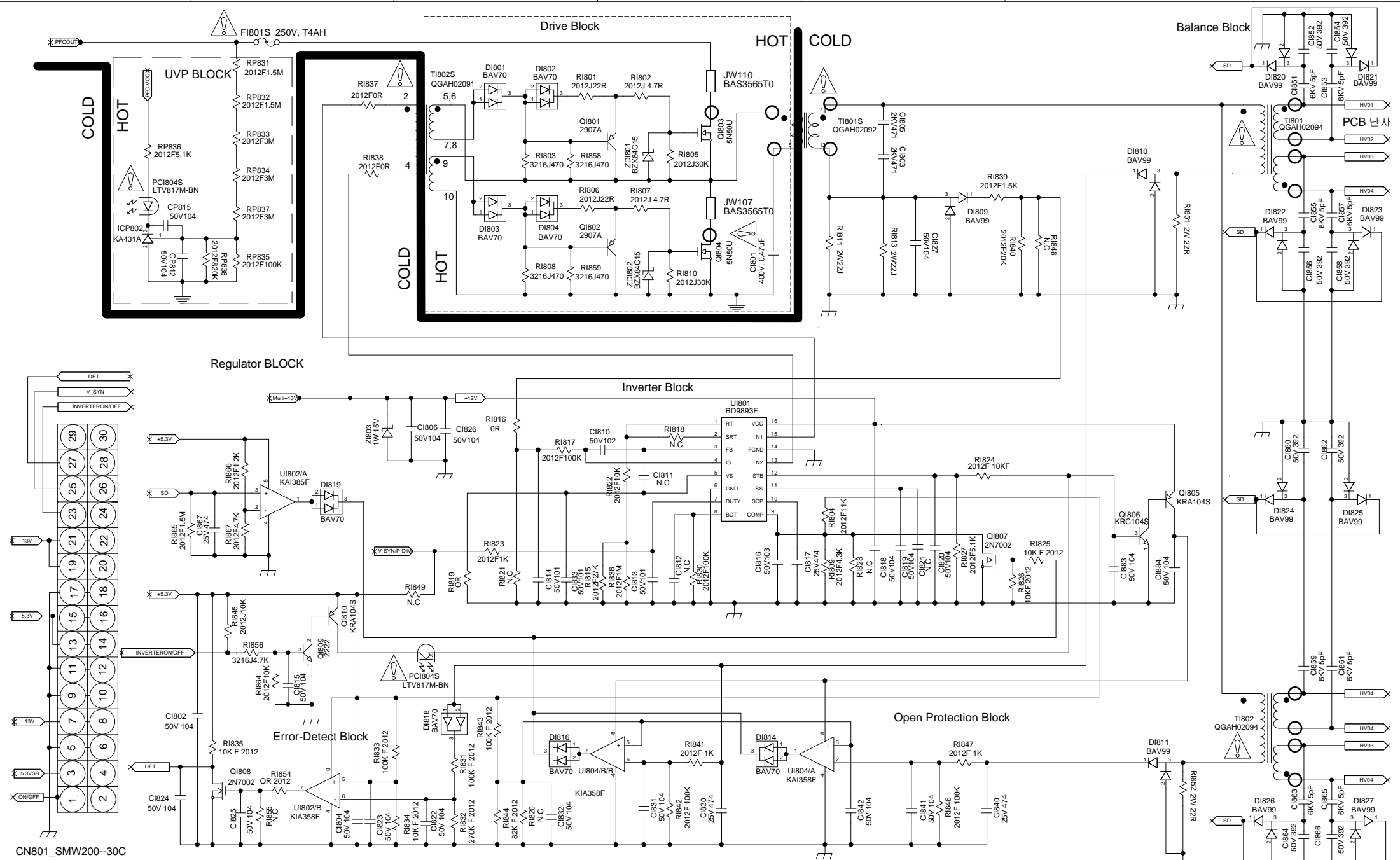


| Re mark | |
|---------|---------------------|
| 1 | N.C.: No Connection |
| 2 | ○: EYELET |

| | | | | | |
|-------|-------|-----------------|---------|------------|--|
| Title | | H32F1-9DY POWER | | 2009.04.06 | |
| Size | No. | Rev | REV.1.2 | | |
| File | Title | Date | Time | | |



| Re mark | |
|---------|-------------------|
| 1 | N.C No Connection |
| 2 | ○ EYELET |

| | | | |
|--|---------|-----------------|--|
| Title | | Note 2009.04.06 | |
| H32F1_9DY INVERTER | | | |
| Size | DOC NO. | Revision | |
| A3 | {DOCNO} | REV.1.2 | |
| H32F1_9DY INVERTER (090406) .schfile 2009-04-06 2 8:14:27 (SHNO) | | | |